

PARTS CATALOGUE

YAMAHA GENERATOR

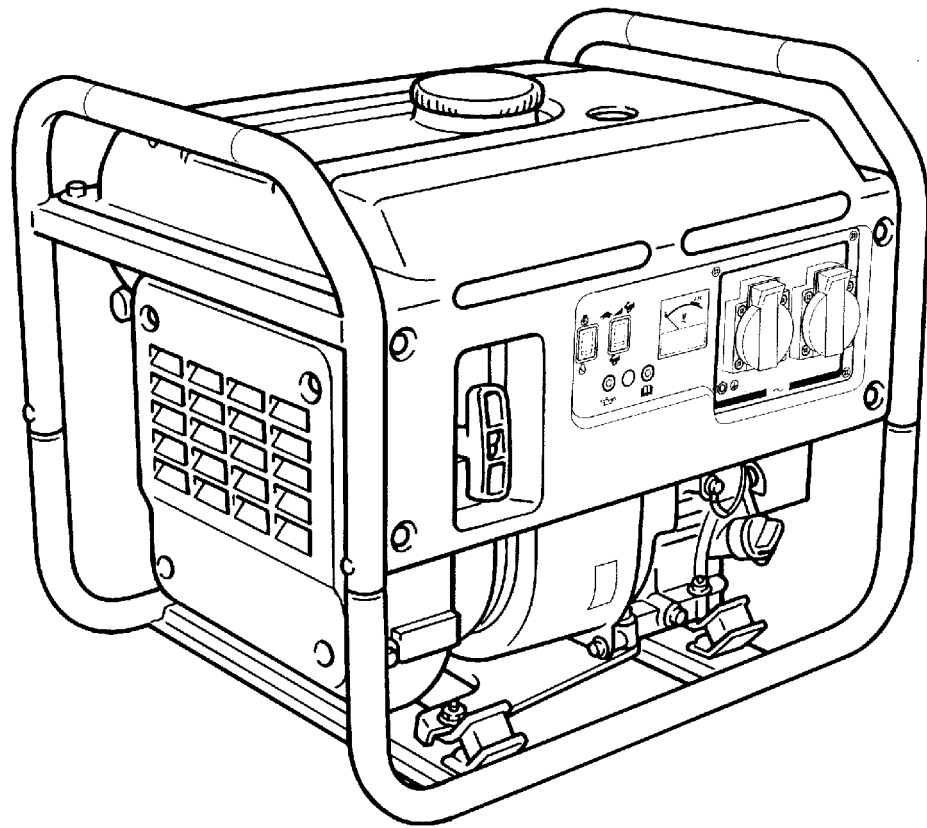
EF2800i (7VU3) (230V/50Hz) EUROPE

YAMAHA
GENUINE
Parts & Accessories

117VU-300E1

EF2800i
PARTS CATALOGUE
E2001 by Yamaha Motor Co., Ltd.
1st Edition, Nov. 2001
All rights reserved.
Any reprinting or unauthorized use
without the written permission of
Yamaha Motor Co., Ltd.
is expressly prohibited.
Printed in Japan

A3



A4

FOREWORD

This Parts Catalogue is related to the parts for the model(s) in the below frame. When you are ordering replacement parts, please refer to this Parts Catalogue and quote both part numbers and part names correctly.

1. Modifications or additions which have been made after issue of the Parts Catalogue will be announced in the Yamaha Parts News.
It is advisable that you make necessary corrections to the Parts Catalogue according to the Yamaha Parts News.

2. Abbreviations

The following abbreviations are used in this Parts Catalogue.

“UR” Use specified parts number.

“UN” Use as many as needed.

“AP” Alternate Parts

“LM” Local Made (Parts need to be ordered locally)

“F#” Frame No. (Applicable machine No.)

3. Parts, which are to be supplied in an assembly, are listed with a dot(.) in front of the part name as shown below.

EXAMPLE

CARBURETOR ASSY

.JET, PILOT

.NOZZLE, MAIN

4. Number of component for assembly

The numeral appearing to the right of each component part indicates the quantity of parts for each assembly unit.

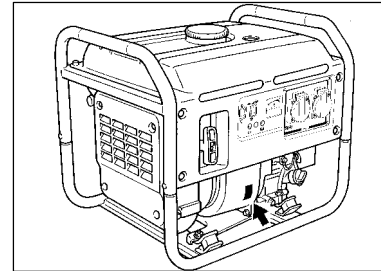
EXAMPLE

PART NO.	DESCRIPTION	Q'TY	REMARKS
2F5-83310-60	FRONT FLASHER LIGHT ASSY	2	
115-83311-60	.BULB (6V-18W)	1	

5. Applicable Starting Serial No. and Color Code

MODEL NAME	MODEL TYPE	DESTINATION	FRAME NO.
EF2800i	7VU3	EUROPE(FRANCE)	7VU-330101
EF2800i	7VU3	EUROPE (EXCEPT FRANCE)	7VU-320101

Engine Serial No.



Color Code	Color Name	Abbreviation	MODEL	Country (destination)
0714	PURPLISH BLUE SOLID 3	PBS3	7VU3	EUR

6. Note that the illustrations for reference in finding parts numbers, not to be used for assembling. When assembling, please use the applicable service manual.

7. The asterisk (*) before a reference number indicates modification items after the first edition.

CONTENTS

CYLINDER	B2
CRANKSHAFT. PISTON	B3
CAMSHAFT.VALVE	B4
AIR SHROUD. STARTER	B5
INTAKE	B6
CARBURETOR	B7
EXHAUST	B8
CRANKCASE	B9
FRAME	B10
FUEL TANK	B11
MAGNETO	B12
GENERATOR	B13
CONTROL BOX	B14
LABELS	C2

INDEX

NUMERICAL INDEX	M1
-----------------------	----

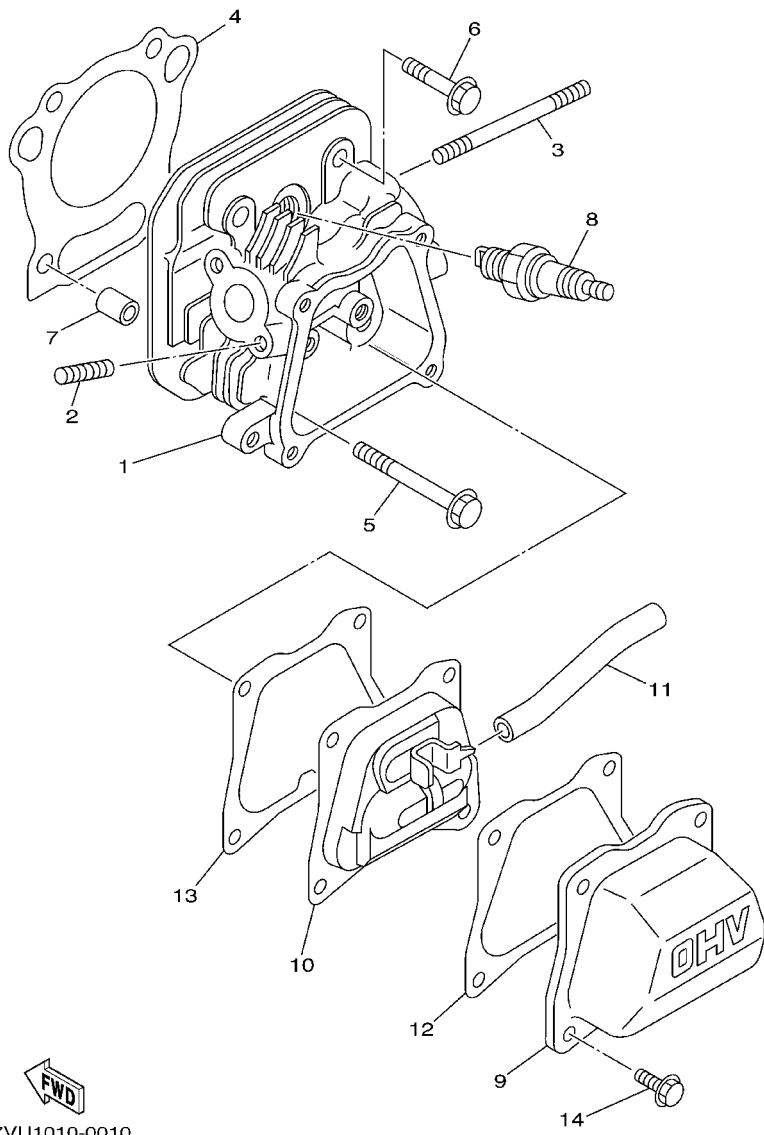


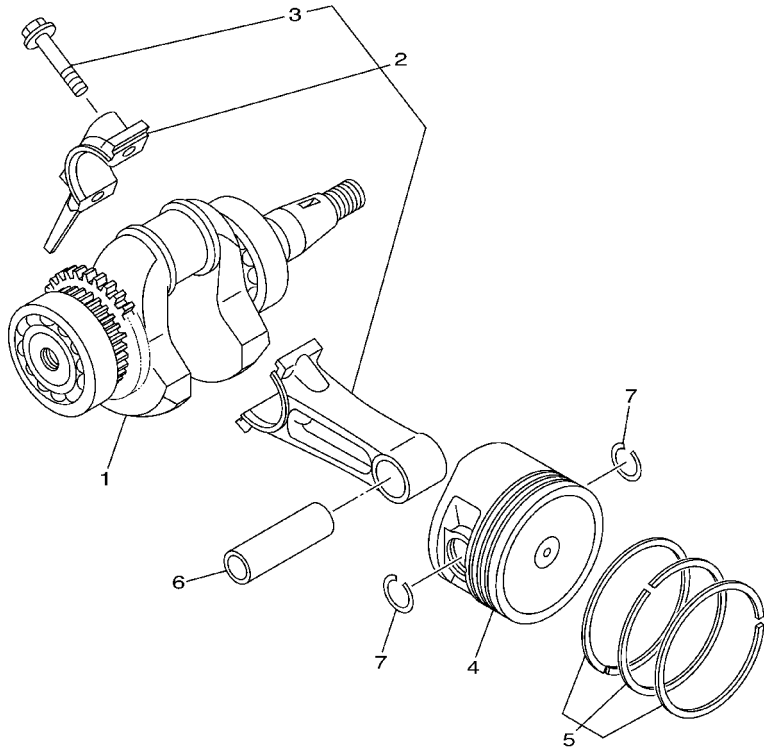
FIG. 1 CYLINDER

REF. NO.	PART NO.	DESCRIPTION	FRA	DEU	REMARKS
1	7WC-11111-00	HEAD, CYLINDER 1	1	1	
2	95607-06615	BOLT, STUD	2	2	
3	90116-06493	BOLT, STUD	2	2	
4	7WC-11181-00	GASKET, CYLINDER HEAD 1	1	1	
5	95827-08065	BOLT, FLANGE	2	2	
6	95827-08045	BOLT, FLANGE	2	2	
7	99530-10114	PIN, DOWEL	2	2	
8	94702-00331	PLUG, SPARK (NGK BPR4ES)	1	1	
9	7NJ-11191-00	COVER, CYLINDER HEAD 1	1	1	
10	7NJ-11160-00	BREATHER ASSY	1	1	
11	90445-131J5	HOSE (L106)	1	1	
12	7NJ-11169-00	GASKET, BREATHER COVER	1	1	
13	7NJ-11193-00	GASKET, HEAD COVER 1	1	1	
14	95827-06012	BOLT, FLANGE	4	4	

FWD
7VU1010-0010

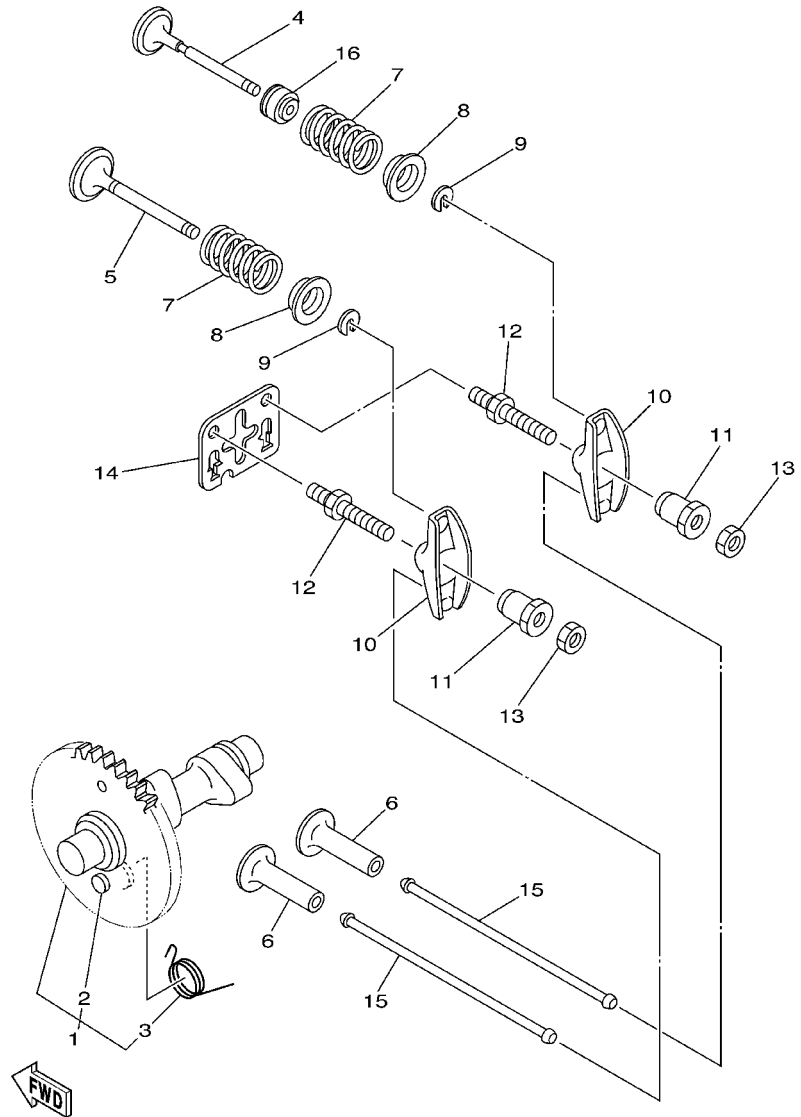
FIG. 2 CRANKSHAFT. PISTON

REF. NO.	PART NO.	DESCRIPTION	FRA	DEU	REMARKS
1	7VU-11400-01	CRANKSHAFT ASSY	1	1	
2	7NJ-11650-00	CONNECTING ROD ASSY	1	1	
3	JA9-11654-01	.BOLT, CONNECTING ROD	2	2	
4	7NJ-11631-00-98	PISTON (STD)	1	1	
	7NJ-11635-00	PISTON (0.25MM O/S)	1	1	AP
	7NJ-11636-00	PISTON (0.50MM O/S)	1	1	AP
5	7WC-11610-00	PISTON RING SET (STD)	1	1	
	7WC-11604-00	PISTON RING SET (0.25MM O/S)	1	1	AP
	7WC-11605-00	PISTON RING SET (0.50MM O/S)	1	1	AP
6	4H7-11633-00	PIN, PISTON	1	1	
7	93450-17025	CIRCLIP	2	2	



7VU1010-0020

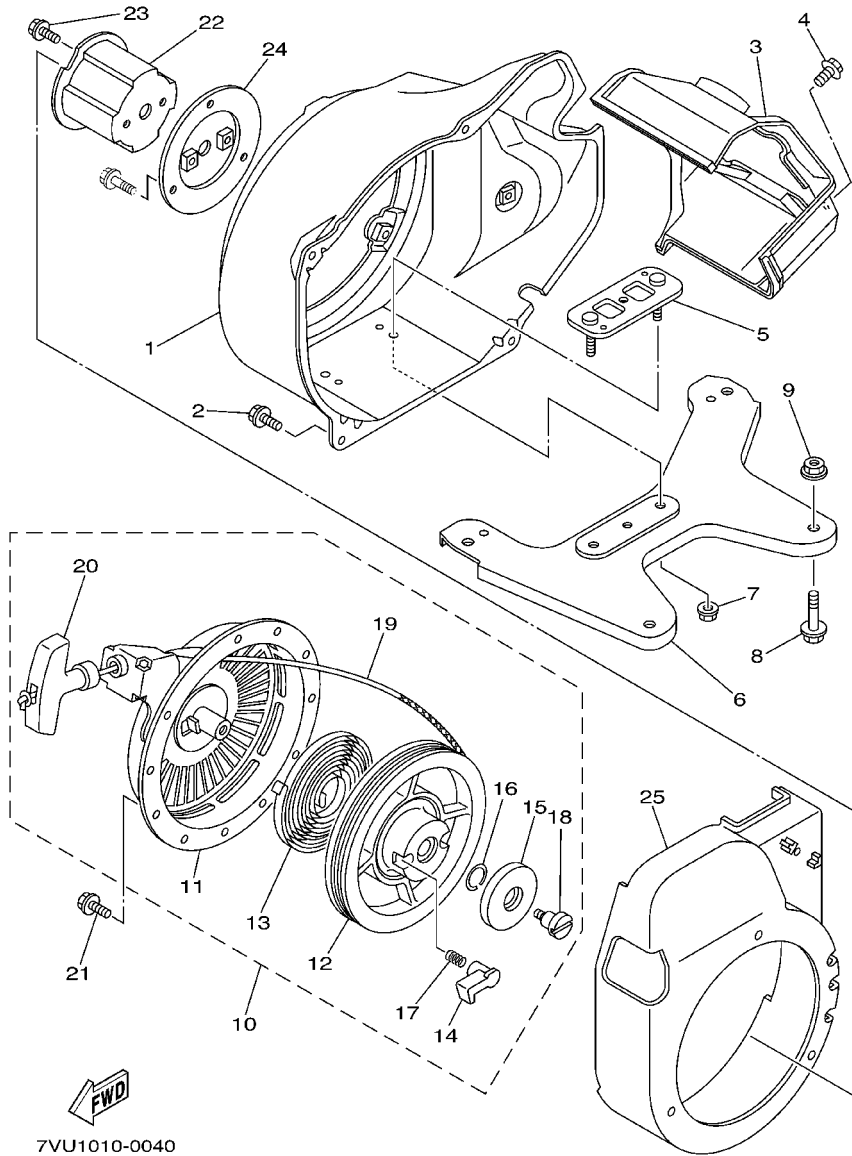
FIG. 3 CAMSHAFT.VALVE



7VU1010-0030

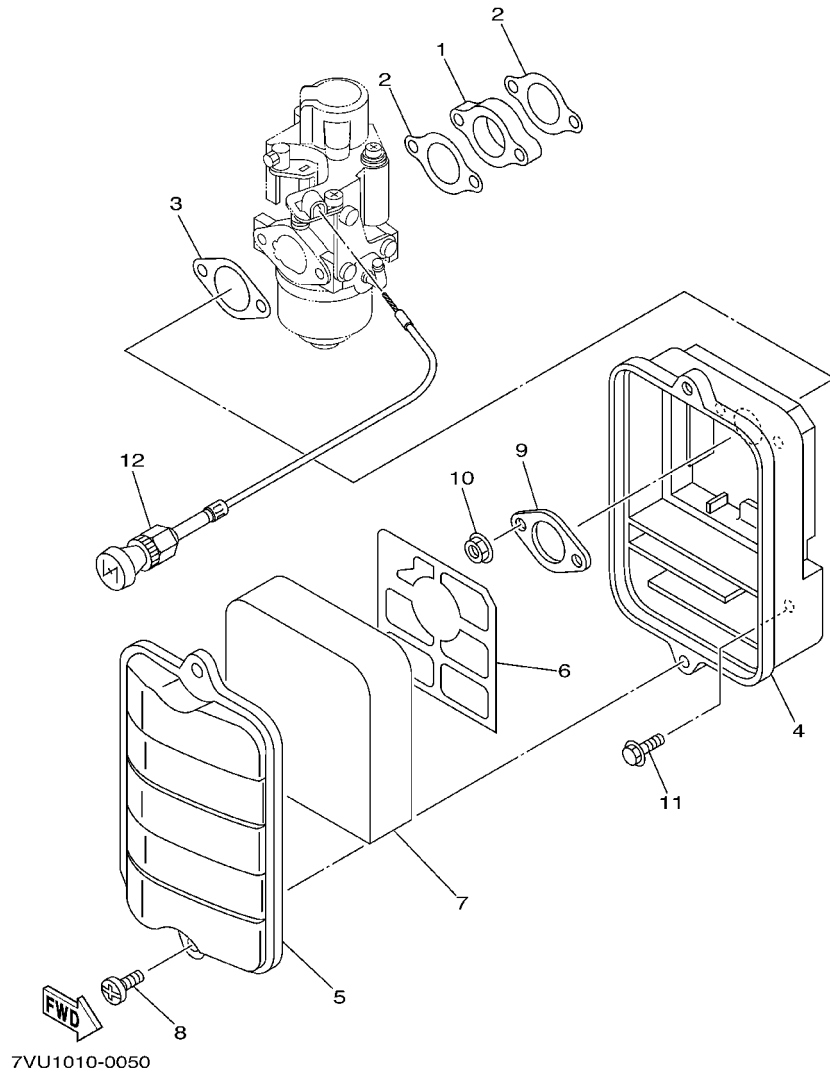
REF. NO.	PART NO.	DESCRIPTION	FRA	DEU	REMARKS
1	7NJ-12170-03	CAMSHAFT ASSY 1	1	1	
2	7NJ-12299-01	.BOLT, STOPPER	1	1	
3	7NJ-12287-00	.SPRING, DECOMPRESSION	1	1	
4	7NJ-12111-00	VALVE, INTAKE	1	1	
5	7NJ-12121-00	VALVE, EXHAUST	1	1	
6	7WC-12153-00	LIFTER, VALVE	2	2	
7	90501-205J4	SPRING, COMPRESSION	2	2	
8	7NJ-12117-00	RETAINER, VALVE SPRING	2	2	
9	7NJ-12118-00	COTTER, VALVE	2	2	
10	7NN-12151-00	ARM, VALVE ROCKER	2	2	
11	7NN-12165-02	PIVOT, ROCKER ARM	2	2	
12	7FK-12157-00	BOLT	2	2	
13	7FK-12158-00	NUT, LOCK	2	2	
14	7NJ-12155-00	GUIDE, PUSH ROD	1	1	
15	7NJ-12154-00	ROD, VALVE PUSH	2	2	
16	51Y-12119-00	SEAL, VALVE STEM	1	1	

FIG. 4 AIR SHROUD. STARTER



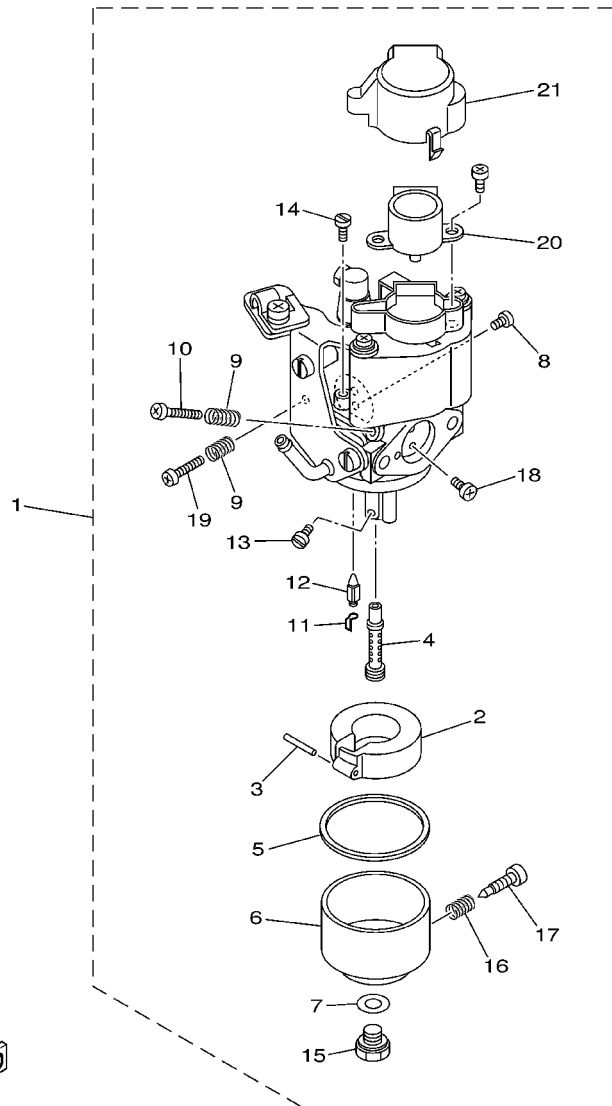
REF. NO.	PART NO.	DESCRIPTION	FRA	DEU	REMARKS
1	7VU-12621-00	CASE, FAN	1	1	
2	95807-06012	BOLT, FLANGE	4	4	
3	7NJ-12651-02	AIR SHROUD, CYLINDER 1	1	1	
4	95807-06012	BOLT, FLANGE	1	1	
5	7VU-12633-00	PLATE	1	1	
6	7VU-11011-00	BRACKET, ENGINE 1	1	1	
7	95707-06500	NUT, FLANGE	2	2	
8	95807-08030	BOLT, FLANGE	2	2	
9	95707-08500	NUT, FLANGE	2	2	
10	7VU-15710-00	STARTER ASSY	1	1	
11	7VU-15711-00	.CASE, STARTER	1	1	
12	7VU-15714-00	.DRUM, SHEAVE	1	1	
13	7TA-15713-00	.SPRING, STARTER	1	1	
14	JL8-15741-00	.PAWL, DRIVE	2	2	
15	7VU-15716-00	.PLATE, DRIVE	1	1	
16	7TA-15715-00	.SPRING, FRICTION	1	1	
17	JK4-15743-00	.SPRING, RETURN	2	2	
18	7NJ-15793-00	.SCREW	1	1	
19	7VU-15751-00	.WIRE, STARTER	1	1	
20	7TA-15755-00	.HANDLE, STARTER	1	1	
21	95807-06016	BOLT, FLANGE	3	3	
22	7VU-15723-00	PULLEY, STARTER	1	1	
23	95807-06008	BOLT, FLANGE	2	2	
24	7VU-15724-00	SPACER	1	1	
25	7VU-12616-00	COVER, FAN CASE	1	1	

FIG. 5 INTAKE



REF. NO.	PART NO.	DESCRIPTION	FRA	DEU	REMARKS
1	7NJ-13596-00	JOINT, CARBURETOR 2	1	1	
2	7NJ-13557-00	GASKET	2	2	
3	7NJ-13567-00	GASKET	1	1	
4	7NJ-14411-00	CASE, AIR CLEANER 1	1	1	
5	7NJ-14412-00	CAP, CLEANER CASE 1	1	1	
6	7NJ-14468-00	PLATE,ELEMENT FITTING	1	1	
7	7NJ-14451-00	ELEMENT, AIR CLEANER	1	1	
8	90146-06014	SCREW, OVAL FILLISTER	2	2	
9	7NB-14477-00	PLATE	1	1	
10	95707-06500	NUT, FLANGE	2	2	
11	95807-06016	BOLT, FLANGE	1	1	
12	7VU-26331-00	CABLE, STARTER 1	1	1	

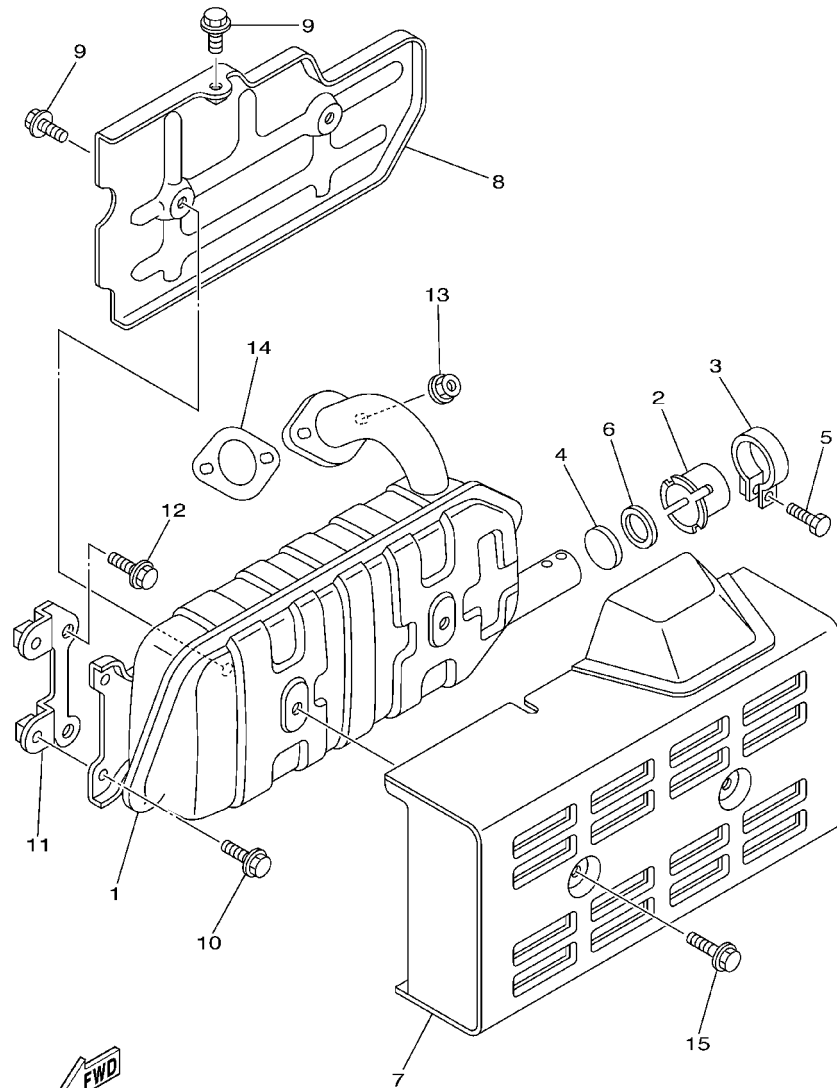
FIG. 6 CARBURETOR



7VU1010-0061

REF. NO.	PART NO.	DESCRIPTION	FRA	DEU	REMARKS
1	7VU-14101-00	CARBURETOR ASSY 1	1	1	
2	7LG-14185-00	.FLOAT	1	1	
3	22F-14186-00	.PIN, FLOAT	1	1	
4	7NN-1495F-1B	.NOZZLE, MAIN	1	1	
5	7G0-14184-00	.GASKET, FLOAT CHAMBER	1	1	
6	7EG-14181-00	.BODY, FLOAT CHAMBER 1	1	1	
7	7G0-14227-00	.WASHER	1	1	
8	7RH-14486-00	.SCREW, ROD	2	2	
9	73A-14212-00	.SPRING	2	2	
10	7LV-14211-00	.SCREW, PILOT ADJUSTING	1	1	
11	7EG-14159-00	.CLIP	1	1	
12	7LG-14150-11	.NEEDLE ASSY	1	1	
13	1HX-1423E-35	.JET, MAIN (#88.8)	1	1	
14	620-14142-37	.JET, PILOT (#37.5)	1	1	
15	7NJ-14162-00	.BOLT, HOLDING	1	1	
16	73A-14212-00	.SPRING	1	1	
17	7E1-14191-00	.PLUG, DRAIN	1	1	
18	7RH-14216-00	.SCREW	2	2	
19	1WG-14922-00	.SCREW, THROTTLE	1	1	
20	7VU-86240-00	.THROTTLE MOTOR ASSY	1	1	
21	7VU-14293-00	.COVER 1	1	1	

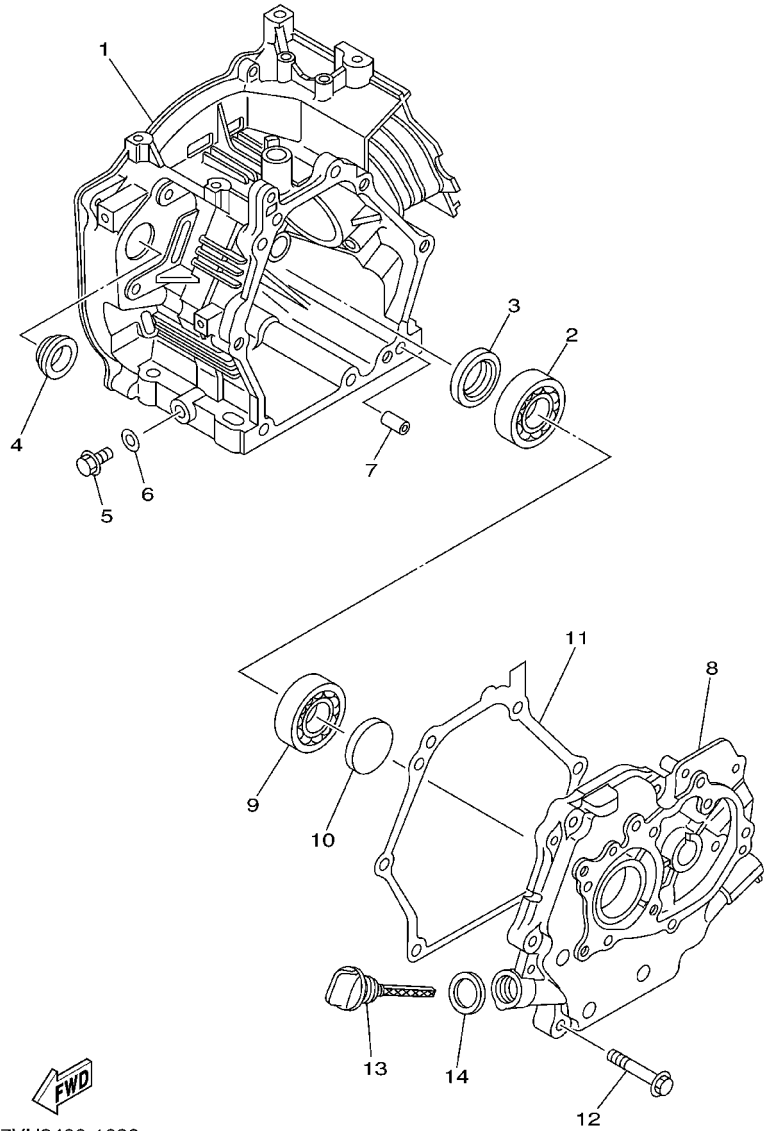
FIG. 7 EXHAUST



7VU1010-0070

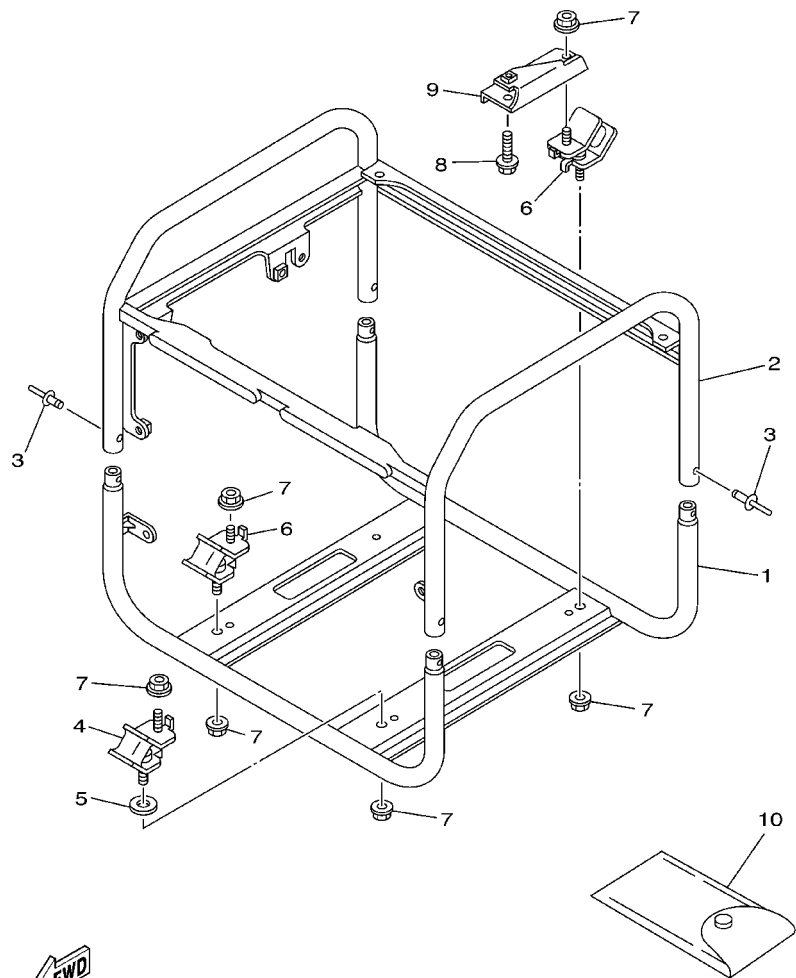
REF. NO.	PART NO.	DESCRIPTION	FRA	DEU	REMARKS
1	7VU-14711-00	MUFFLER 1	1	1	
2	7NJ-14799-01	CAP	1	1	
3	7NJ-14788-00	BAND, SILENCER	1	1	
4	7NJ-1479E-00	NET, WIRE 2	1	1	
5	90153-05024	SCREW, HEXAGON	1	1	
6	90201-171J5	WASHER, PLATE	1	1	
7	7VU-14718-00	PROTECTOR, MUFFLER 1	1	1	
8	7VU-14728-00	PROTECTOR, MUFFLER 2	1	1	
9	95827-06008	BOLT, FLANGE	3	3	
10	95827-06008	BOLT, FLANGE	2	2	
11	7VU-14781-00	STAY, MUFFLER 2	1	1	
12	95827-08012	BOLT, FLANGE	2	2	
13	95307-06600	NUT	2	2	
14	JA9-14613-00	GASKET, EXHAUST PIPE	1	1	
15	95827-06008	BOLT, FLANGE	2	2	

FIG. 8 CRANKCASE



REF. NO.	PART NO.	DESCRIPTION	FRA	DEU	REMARKS
1	7VU-15111-01	CRANKCASE 1	1	1	
2	93306-20511	BEARING	1	1	
3	93102-25090	OIL SEAL	1	1	
4	90480-26602	GROMMET	1	1	
5	95027-10016	BOLT, FLANGE	1	1	
6	90430-10188	GASKET	1	1	
7	99530-08016	PIN, DOWEL	2	2	
8	7VU-15411-00	COVER, CRANKCASE 1	1	1	
9	93306-20511	BEARING	1	1	
10	90338-41106	PLUG	1	1	
11	7NJ-15451-00	GASKET, CRANKCASE COVER 1	1	1	
12	95827-08035	BOLT, FLANGE	6	6	
13	7NN-15362-00	PLUG, OIL LEVEL	1	1	
14	90430-17002	GASKET	1	1	

FIG. 9 FRAME

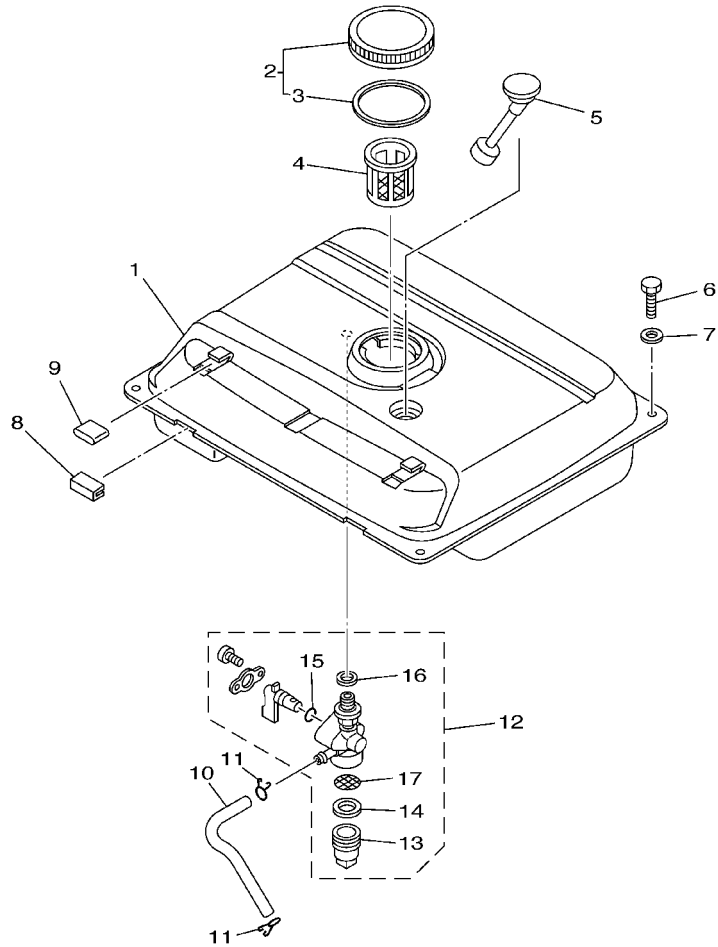


REF. NO.	PART NO.	DESCRIPTION	FRA	DEU	REMARKS
1	7VU-22840-20	FRAME COMP.	1	1	
2	7VU-22850-00	FRAME COMP. 2	1	1	
3	90267-48N00	RIVET, BLIND	4	4	
4	7VU-22891-00	INSULATOR, MOUNTING	1	1	
5	90201-086A3	WASHER, PLATE	1	1	
6	7VU-22894-00	INSULATOR, MOUNTING 2	3	3	
7	95707-08500	NUT, FLANGE	8	8	
8	95807-08030	BOLT, FLANGE	1	1	
9	7VU-11012-00	BRACKET, ENGINE 2	1	1	
10	7H6-28100-00	TOOL KIT	1	1	



7VU3400-1090

FIG. 10 FUEL TANK

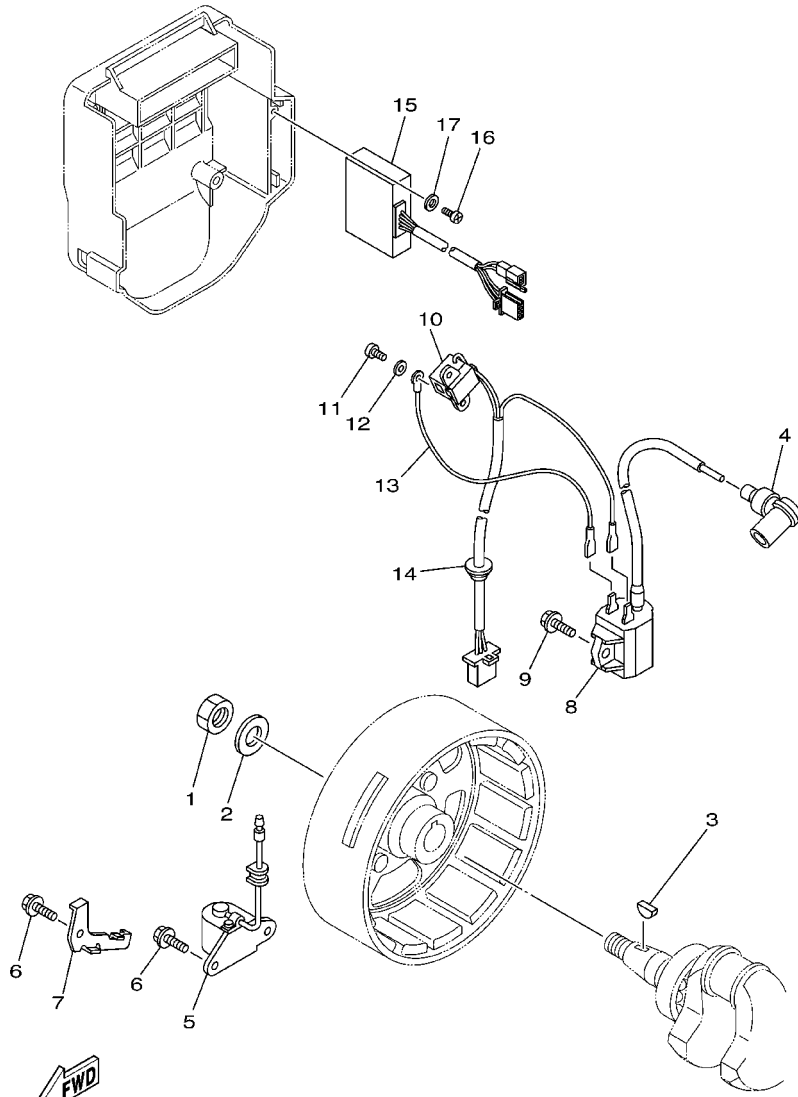


REF. NO.	PART NO.	DESCRIPTION	FRA	DEU	REMARKS
1	7VU-24110-00-P0	FUEL TANK COMP.	1	1	PBS3
2	74T-24610-00	CAP ASSY	1	1	
3	796-24612-00	.GASKET, CAP	1	1	
4	630-24167-00	STRAINER	1	1	
5	7A9-85710-02	FUEL LEVEL GAUGE ASSY	1	1	
6	97007-06012	BOLT	2	2	
7	90201-06380	WASHER, PLATE	2	2	
8	7LG-24181-00	DAMPER, LOCATING 1	2	2	
9	2E9-24182-00	DAMPER, LOCATING 2	2	2	
10	7VU-24311-00	PIPE, FUEL 1	1	1	
11	90467-09006	CLIP	2	2	
12	7RA-24500-00	FUEL COCK ASSY 1	1	1	
13	7J3-24521-00	.CUP, FILTER	1	1	
14	4X8-24565-00	.GASKET	1	1	
15	7NJ-24534-00	.SEAL, COCK	1	1	
16	7NJ-24532-00	.GASKET	1	1	
17	7NJ-24515-01	.NET, FILTER 2	1	1	



7VU2110-0100

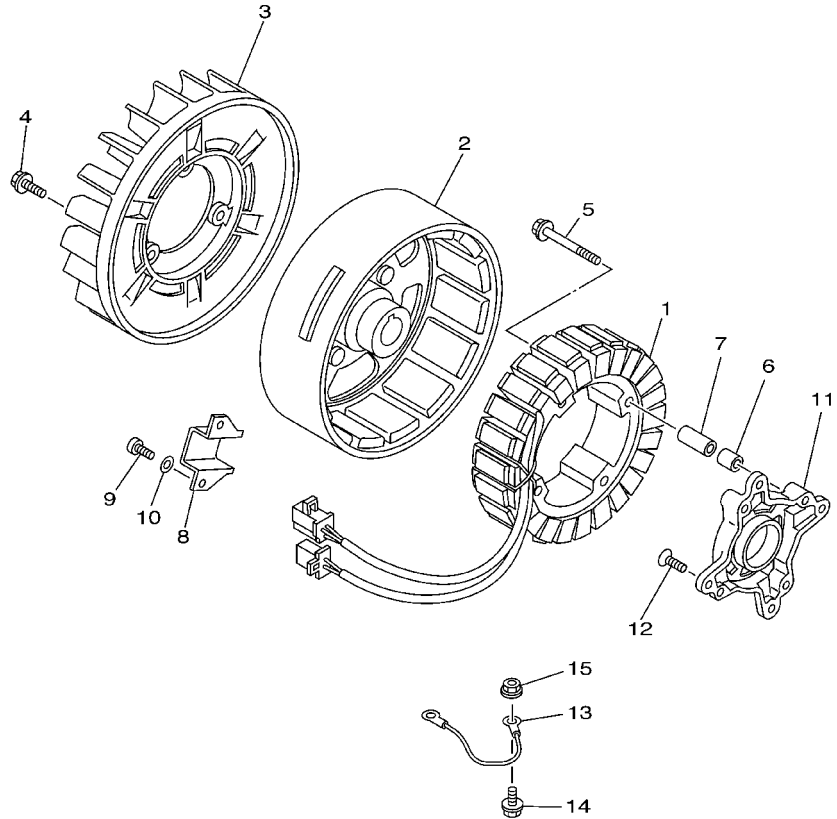
FIG. 11 MAGNETO



7VU3400-1110

REF. NO.	PART NO.	DESCRIPTION	FRA	DEU	REMARKS
1	90170-14403	NUT	1	1	
2	92907-14200	WASHER	1	1	
3	90280-04052	KEY, WOODRUFF	1	1	
4	7VU-82370-00	PLUG CAP ASSY	1	1	
5	7NJ-85720-02	OIL LEVEL GAUGE ASSY	1	1	
6	95827-06012	BOLT, FLANGE	3	3	
7	7NJ-85724-00	CLAMP	1	1	
8	7VU-82310-00	IGNITION COIL ASSY	1	1	
9	95807-06020	BOLT, FLANGE	1	1	
10	7VU-85595-00	COIL, PULSER	1	1	
11	98507-05010	SCREW, PAN HEAD	2	2	
12	92907-05600	WASHER, PLATE	2	2	
13	7VU-82318-00	WIRE, SUB-LEAD	1	1	
14	90480-12013	GROMMET	1	1	
15	7VU-85540-20	C.D.I. UNIT ASSY	1	1	
16	97707-50612	SCREW, TAPPING	1	1	
17	90201-05032	WASHER, PLATE	1	1	

FIG. 12 GENERATOR

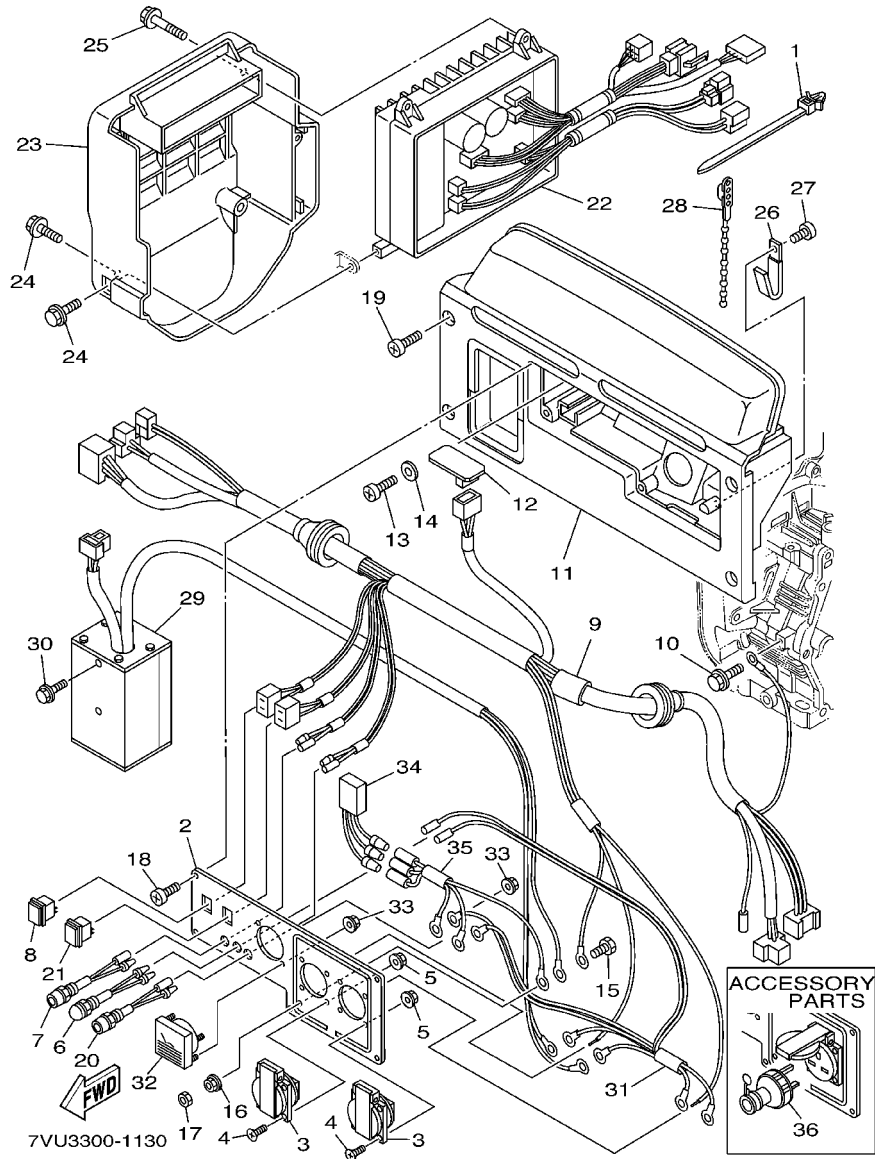


REF. NO.	PART NO.	DESCRIPTION	FRA	DEU	REMARKS
1	7VU-87150-20	STATOR ASSY	1	1	
2	7VU-87160-00	ROTOR ASSY	1	1	
3	7VU-87172-00	FAN, GENERATOR	1	1	
4	95807-06016	BOLT, FLANGE	3	3	
5	95827-06045	BOLT, FLANGE	4	4	
6	99530-08012	PIN, DOWEL	2	2	
7	7VU-8719F-01	TUBE 7	2	2	
8	7VU-83595-00	CLAMP	1	1	
9	98507-05010	SCREW, PAN HEAD	2	2	
10	92907-05600	WASHER, PLATE	2	2	
11	7VU-87181-00	BRKT., GENERATOR MOUNT	1	1	
12	98707-06016	SCREW, FLAT HEAD	4	4	
13	7VU-87139-00	LEAD WIRE ASSY 2	1	1	
14	95880-06010	BOLT, FLANGE	1	1	
15	95780-06500	NUT, FLANGE	1	1	



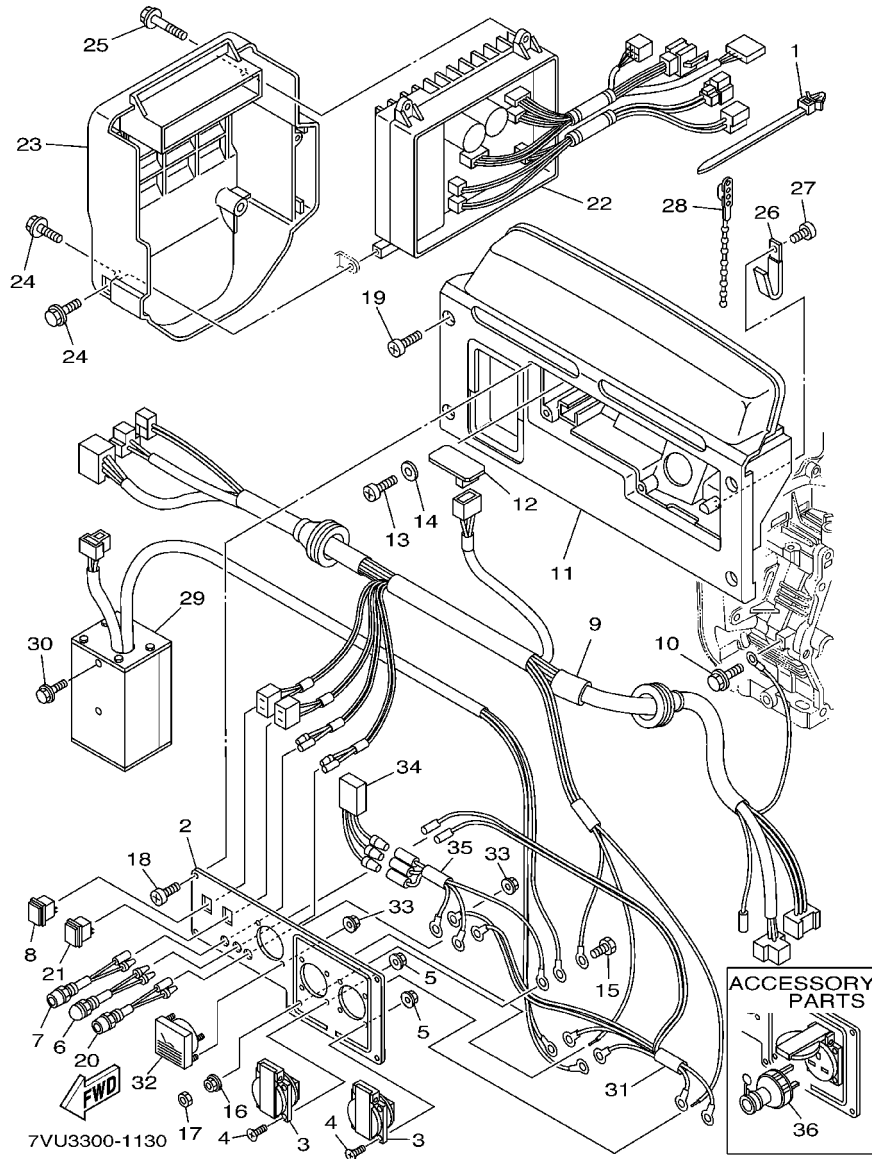
7VU3400-1120

FIG. 13 CONTROL BOX



REF. NO.	PART NO.	DESCRIPTION	FRA	DEU	REMARKS
1	90464-30002	CLAMP	1	1	
2	7VU-87249-A0	PLATE	1	1	
3	7H7-87221-60	RECEPTACLE 1 (ABL 6300)	2		FOR FRANCE
	7H7-87221-80	RECEPTACLE 1 (ABL 6995)	2		EXCEPT FOR FRANCE
4	90151-03032	SCREW, COUNTERSUNK	8	8	
5	90179-03478	NUT	8	8	
6	7NJ-83530-G0	PILOT LIGHT ASSY	1	1	
7	7NJ-85770-00	OIL PILOT LIGHT ASSY	1	1	
8	7NJ-82550-00	ENGINE STOP SWITCH ASSY	1	1	
9	7VU-87226-A0	WIRE HARNESS ASSY	1	1	
10	95807-06010	BOLT, FLANGE	1	1	
11	7VU-87213-00	COVER, CONTROL BOX	1	1	
12	7VU-85690-00	OIL WARNING UNIT	1	1	
13	97707-30512	SCREW, TAPPING	1	1	
14	90201-03013	WASHER, PLATE	1	1	
15	97080-05016	BOLT	1	1	
16	95707-05500	NUT, FLANGE	1	1	
17	95380-05700	NUT	1	1	
18	97707-40516	SCREW, TAPPING	6	6	
19	98907-06014	SCREW, BIND	4	4	
20	7VU-83582-00	PILOT LIGHT ASSY	1	1	
21	7NJ-82550-00	ENGINE STOP SWITCH ASSY	1	1	ECON. SW
22	7VU-8A210-20	CONTROL UNIT	1	1	
23	7VU-8721G-00	COVER, CONTROL BOX 2	1	1	
24	95827-06012	BOLT, FLANGE	3	3	
25	95827-06025	BOLT, FLANGE	2	2	
26	90462-05059	CLAMP	1	1	

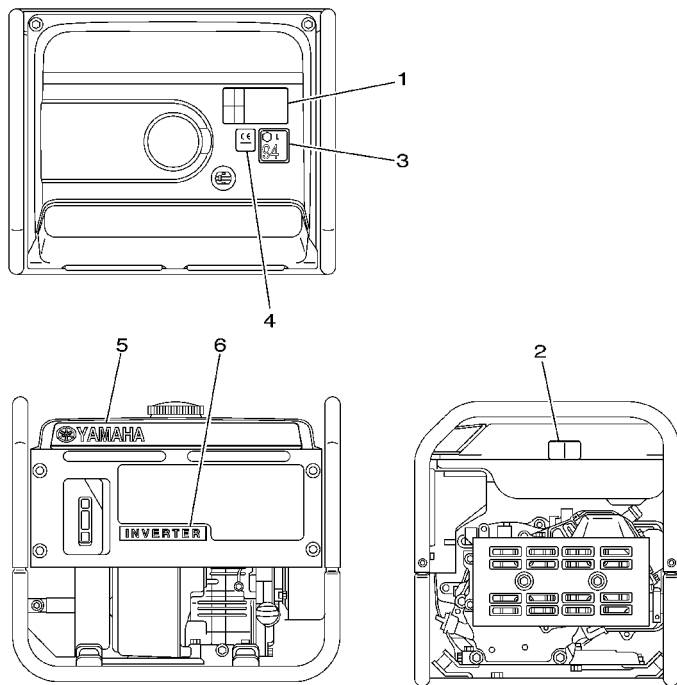
FIG. 13 CONTROL BOX



REF. NO.	PART NO.	DESCRIPTION	FRA	DEU	REMARKS
27	97707-60512	SCREW, TAPPING	1	1	
28	90464-20031	CLAMP	1	1	
29	7VU-88188-00	FILTER, NOISE	1	1	
30	95827-06010	BOLT, FLANGE	2	2	
31	7VU-87223-A0	WIRE, LEAD 1	1	1	
32	7NJ-8720A-B0	VOLTEGE METER COMP.	1	1	
33	90179-03478	NUT	4	4	
34	7NJ-88188-00	FILTER, NOISE	1	1	
35	7VU-87224-A0	WIRE, LEAD 2	1	1	
36	7G7-87236-00	PLUG, AC RECEPTACLE (15A-250V)	2		ACCESSORY PARTS FOR FRANCE

FIG. 14 LABELS

REF. NO.	PART NO.	DESCRIPTION	FRA	DEU	REMARKS
1	7TA-24162-30	EMBLEM 2 (WARNING)	1	1	
2	7NJ-2415E-00	LABEL, CAUTION (HOT)	1	1	
3	7VU-24235-00	MARK 1 (LWA MARK)	1	1	
4	7NJ-24236-00	MARK 2 (CE MARK)	1	1	
5	7VU-24161-10	EMBLEM 1 (YAMAHA)	1	1	
6	7VU-24164-00	EMBLEM 4 (INVERTER)	1	1	



7VU3300-1140

NUMERICAL INDEX

PART NO.	GRID NO.	PART NO.	GRID NO.	PART NO.	GRID NO.	PART NO.	GRID NO.	PART NO.	GRID NO.	PART NO.	GRID NO.
7VU-11011-00	B-5	22F-14186-00	B-7	7TA-24162-30	C-2	7G7-87236-00	B-15	95807-06012	B-5		
7VU-11012-00	B-10	7E1-14191-00	B-7	7VU-24164-00	C-2	7VU-87249-A0	B-14	95807-06016	B-13		
7WC-11111-00	B-2	7LV-14211-00	B-7	630-24167-00	B-11	7NJ-88188-00	B-15		B-5		
7NJ-11160-00	B-2	73A-14212-00	B-7	7LG-24181-00	B-11	7VU-88188-00	B-15		B-6		
7NJ-11169-00	B-2	7RH-14216-00	B-7	2E9-24182-00	B-11	90116-06493	B-2	95807-06020	B-12		
7WC-11181-00	B-2	7G0-14227-00	B-7	7VU-24235-00	C-2	90146-06014	B-6	95807-08030	B-10		
7NJ-11191-00	B-2	1HX-1423E-35	B-7	7NJ-24236-00	C-2	90151-03032	B-14		B-5		
7NJ-11193-00	B-2	7VU-14293-00	B-7	7VU-24311-00	B-11	90153-05024	B-8	95827-06008	B-8		
7VU-11400-01	B-3	7NJ-14411-00	B-6	7RA-24500-00	B-11	90170-14403	B-12	95827-06010	B-15		
7WC-11604-00	B-3	7NJ-14412-00	B-6	7NJ-24515-01	B-11	90179-03478	B-14	95827-06012	B-12		
7WC-11605-00	B-3	7NJ-14451-00	B-6	7J3-24521-00	B-11		B-15		B-14		
7WC-11610-00	B-3	7NJ-14468-00	B-6	7NJ-24532-00	B-11	90201-03013	B-14		B-2		
7NJ-11631-00-98	B-3	7NB-14477-00	B-6	7NJ-24534-00	B-11	90201-05032	B-12	95827-06025	B-14		
4H7-11633-00	B-3	7RH-14486-00	B-7	4X8-24565-00	B-11	90201-06380	B-11	95827-06045	B-13		
7NJ-11635-00	B-3	JA9-14613-00	B-8	74T-24610-00	B-11	90201-086A3	B-10	95827-08012	B-8		
7NJ-11636-00	B-3	7VU-14711-00	B-8	796-24612-00	B-11	90201-171J5	B-8	95827-08035	B-9		
7NJ-11650-00	B-3	7VU-14718-00	B-8	7VU-26331-00	B-6	90267-48N00	B-10	95827-08045	B-2		
JA9-11654-01	B-3	7VU-14728-00	B-8	7H6-28100-00	B-10	90280-04052	B-12	95827-08065	B-2		
7NJ-12111-00	B-4	7VU-14781-00	B-8	7VU-8A210-20	B-14	90338-41106	B-9	95880-06010	B-13		
7NJ-12117-00	B-4	7NJ-14788-00	B-8	7VU-82310-00	B-12	90430-10188	B-9	97007-06012	B-11		
7NJ-12118-00	B-4	7NJ-1479E-00	B-8	7VU-82318-00	B-12	90430-17002	B-9	97080-05016	B-14		
51Y-12119-00	B-4	7NJ-14799-01	B-8	7VU-82370-00	B-12	90445-131J5	B-2	97707-30512	B-14		
7NJ-12121-00	B-4	1WG-14922-00	B-7	7NJ-82550-00	B-14	90462-05059	B-14	97707-40516	B-14		
7NN-12151-00	B-4	7NN-1495F-1B	B-7	7NJ-83530-G0	B-14	90464-20031	B-15	97707-50612	B-12		
7WC-12153-00	B-4	7VU-15111-01	B-9	7VU-83582-00	B-14	90464-30002	B-14	97707-60512	B-15		
7NJ-12154-00	B-4	7NN-15362-00	B-9	7VU-83595-00	B-13	90467-09006	B-11	98507-05010	B-12		
7NJ-12155-00	B-4	7VU-15411-00	B-9	7VU-85540-20	B-12	90480-12013	B-12		B-13		
7FK-12157-00	B-4	7NJ-15451-00	B-9	7VU-85595-00	B-12	90480-26602	B-9	98707-06016	B-13		
7FK-12158-00	B-4	7VU-15710-00	B-5	7VU-85690-00	B-14	90501-205J4	B-4	98907-06014	B-14		
7NN-12165-02	B-4	7VU-15711-00	B-5	7A9-85710-02	B-11	92907-05600	B-12	99530-08012	B-13		
7NJ-12170-03	B-4	7TA-15713-00	B-5	7NJ-85720-02	B-12		B-13	99530-08016	B-9		
7NJ-12287-00	B-4	7VU-15714-00	B-5	7NJ-85724-00	B-12	92907-14200	B-12	99530-10114	B-2		
7NJ-12299-01	B-4	7TA-15715-00	B-5	7NJ-85770-00	B-14	93102-25090	B-9				
7VU-12616-00	B-5	7VU-15716-00	B-5	7VU-86240-00	B-7	93306-20511	B-9				
7VU-12621-00	B-5	7VU-15723-00	B-5	7VU-87139-00	B-13	93450-17025	B-3				
7VU-12633-00	B-5	7VU-15724-00	B-5	7VU-87150-20	B-13	94702-00331	B-2				
7NJ-12651-02	B-5	JL8-15741-00	B-5	7VU-87160-00	B-13	95027-10016	B-9				
7NJ-13557-00	B-6	JK4-15743-00	B-5	7VU-87172-00	B-13	95307-06600	B-8				
7NJ-13567-00	B-6	7VU-15751-00	B-5	7VU-87181-00	B-13	95380-05700	B-14				
7NJ-13596-00	B-6	7TA-15755-00	B-5	7VU-8719F-01	B-13	95607-06615	B-2				
7VU-14101-00	B-7	7NJ-15793-00	B-5	7NJ-8720A-B0	B-15	95707-05500	B-14				
620-14142-37	B-7	7VU-22840-20	B-10	7VU-8721G-00	B-14	95707-06500	B-5				
7LG-14150-11	B-7	7VU-22850-00	B-10	7VU-87213-00	B-14		B-6				
7EG-14159-00	B-7	7VU-22891-00	B-10	7H7-87221-60	B-14	95707-08500	B-10				
7NJ-14162-00	B-7	7VU-22894-00	B-10	7H7-87221-80	B-14		B-5				
7EG-14181-00	B-7	7VU-24110-00-P0	B-11	7VU-87223-A0	B-15	95780-06500	B-13				
7G0-14184-00	B-7	7NJ-2415E-00	C-2	7VU-87224-A0	B-15	95807-06008	B-5				
7LG-14185-00	B-7	7VU-24161-10	C-2	7VU-87226-A0	B-14	95807-06010	B-14				