

**PARTS
CATALOGUE
CATALOGO
DE REPUESTOS**

150AET '02_(6G41)

175AET '02_(6G51)

200AET '02_(6G61)

L150AET'02_(6K01)

L200AET'02_(6K11)

FOREWORD

This Parts Catalogue is related to the parts for the model(s) in the below frame. When you are ordering replacement parts, please refer to this Parts Catalogue and quote both part numbers and part names correctly.

150AET'02(6G41), 175AET'02(6G51), 200AET'02(6G61),
L150AET'02(6K01), L200AET'02(6K11)

1. Modifications or additions which have been made after issue of the Parts Catalogue will be announced in the Yamaha Parts News.
It is advisable that you make necessary corrections to the Parts Catalogue according to the Yamaha Parts News.

2. Abbreviations

The Following abbreviations are used in this Parts Catalogue.

- “UR” Use specified parts number.
- “UN” Use as many as needed.
- “AP” Alternate Parts
- “LM” Local Made
(Parts need to be ordered locally)
- “O/S” Over Size
- “SWS” Salt Water Series

3. Parts, which are to be supplied in an assembly, are listed with a dot(.) in front of the part name as shown below.

EXAMPLE
CARBURETOR ASSY
.JET, PILOT
.NOZZLE, MAIN

4. Number of component for assembly

The numeral appearing to the right of each component part indicates the quantity of parts for each assembly unit.

EXAMPLE

| PART NO. | DESCRIPTION | □ | □ | □ | □ | REMARKS |
|------------------|---------------------|---|---|---|---|---------|
| 6E0-85500-70 | C.D.I. MAGNETO ASSY | 1 | | | | |
| 6E0-85550-70 | .ROTOR ASSY | 1 | | | | |
| 6E0-15723-00-94. | PULLY, STARTER | 1 | | | | |

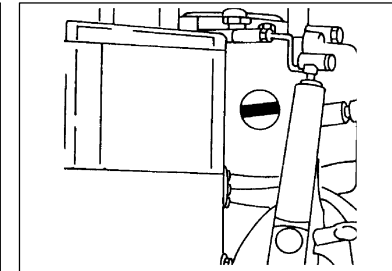
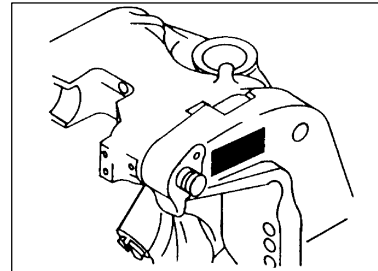
5. Quantity Column Information

| NAME for Q'TY COLUMN | APPLICABLE MODEL |
|----------------------|------------------|
| 150A | 150AET |
| 175A | 175AET |
| 200A | 200AET |
| L150 | L150AET |
| L200 | L200AET |

6. Applicable Starting Serial No. and Color Code

1) Engine Starting Serial No.

| | |
|---|---|
| <p>150AET 6G4 L : 306690 X : 706773</p> <p>175AET 6G5 L : 302530 X : 701280</p> <p>200AET 6G6 L : 309964 X : 711789</p> | <p>L150AET 6K0 X : 750435</p> <p>L200AET 6K1 X : 753393</p> |
|---|---|



2) Color Code

| Color Code | Color Name | Abbreviation |
|------------|-----------------------------|--------------|
| 004D | DARK BLUISH GRAY METALLIC 2 | DBNM2 |

7. Note that the illustrations for reference in finding parts numbers, not to be used for assembling. When assembling, please use the applicable service manual.

8. The asterisk (*) before a reference number indicates modification items after the first edition.

CONTENTS

SHEET 1/2

| | |
|--------------------------------|----|
| TOP COWLING | A4 |
| CYLINDER. CRANKCASE 1 | A6 |
| CRANKSHAFT. PISTON | B1 |
| CYLINDER. CRANKCASE 2 | B3 |
| INTAKE | B4 |
| CARBURETOR | B6 |
| FUEL 1 | C1 |
| FUEL 2 | C3 |
| GENERATOR | C4 |
| ELECTRICAL 1 | C5 |
| ELECTRICAL 2 | C6 |
| STARTING MOTOR | D1 |
| BOTTOM COWLING | D2 |
| CONTROL | D4 |
| BRACKET 1 | D7 |
| BRACKET 2 | E2 |
| POWER TRIM & TILT ASSY 1 | E4 |
| POWER TRIM & TILT ASSY 2 | E6 |
| UPPER CASING | F1 |
| LOWER CASING. DRIVE 1 | F3 |
| LOWER CASING. DRIVE 2 | F7 |

INDEX

| | |
|-----------------------|----|
| NUMERICAL INDEX | G1 |
|-----------------------|----|

SHEET 2/2

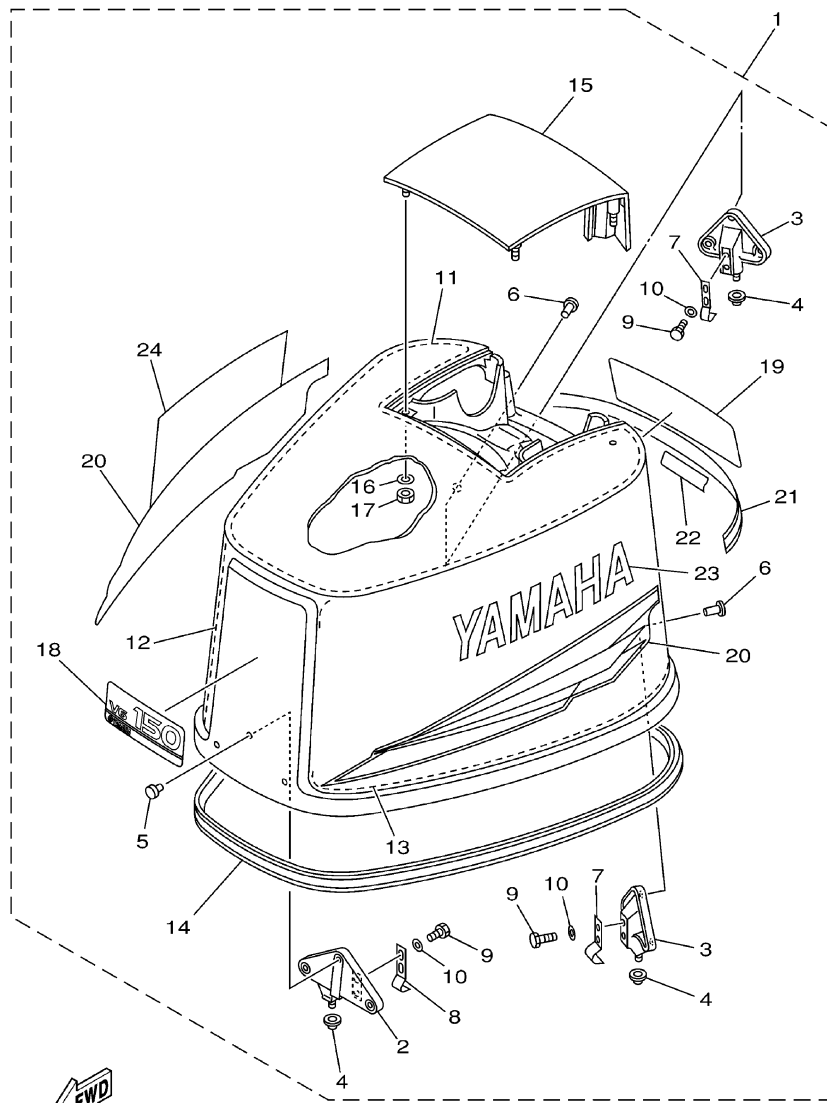
| | |
|-----------------------------------|-----|
| LOWER CASING. DRIVE 2 | A4* |
| LOWER CASING. DRIVE 3 | A5* |
| LOWER CASING. DRIVE 4 | B2* |
| FUEL TANK | B3* |
| STEERING GUIDE ATTACHMENT 1 | B4* |
| STEERING GUIDE ATTACHMENT 2 | B5* |
| REMOTE CONTROL BOX | B6* |
| REMOTE CONTROL ASSY 1 | B7* |
| REMOTE CONTROL ASSY 2 | C3* |
| METER | C6* |
| SWITCH. PANEL | C7* |
| REPAIR KIT 1 | D1* |
| REPAIR KIT 2 | D3* |

INDEX

| | |
|-----------------------|-----|
| NUMERICAL INDEX | G1* |
|-----------------------|-----|

FIG. 1 TOP COWLING

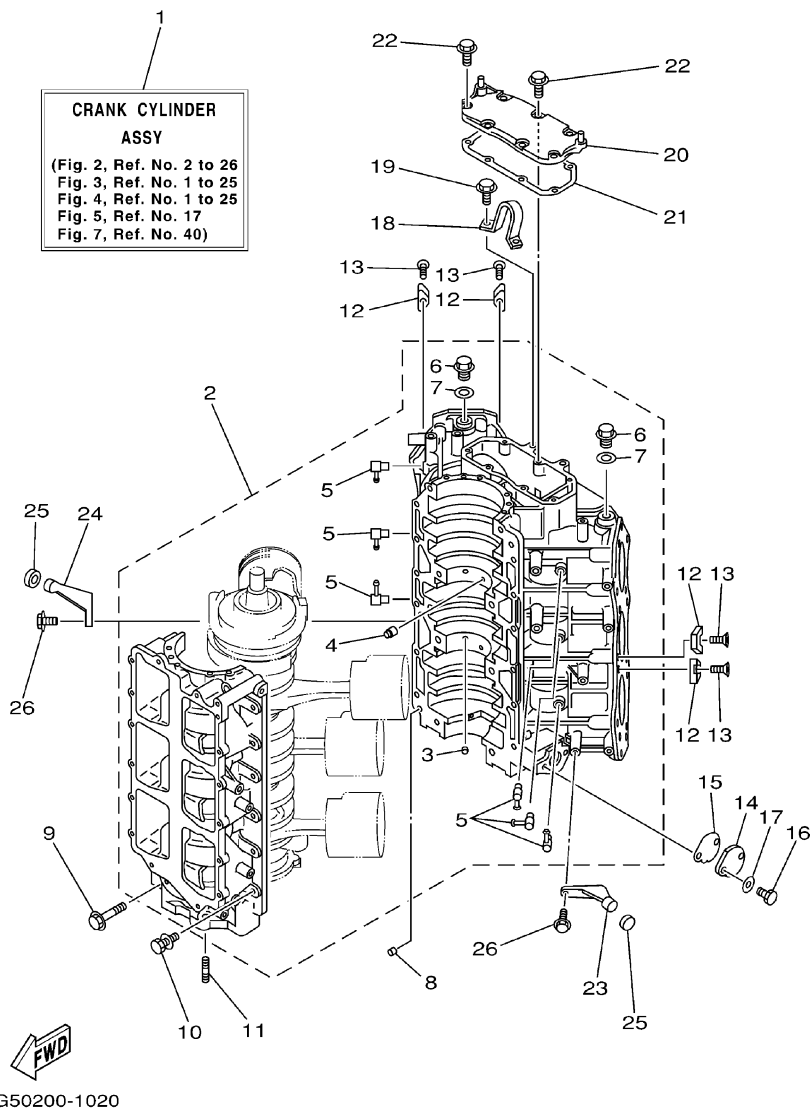
SOPORTE SUPERIOR



6G51200-2010

| REF. NO. | PART NO. CODIGO NO. | DESCRIPTION DESCRIPTION | 150A | 175A | 200A | L150 | L200 | REMARKS OBSERVACION |
|----------|---------------------|---|------|------|------|------|------|---------------------|
| 1 | 6G4-42610-60-4D | TOP COWLING ASSY SOPORTE SUPERIOR COMPL. | 1 | | | 1 | | |
| | 6G5-42610-60-4D | TOP COWLING ASSY SOPORTE SUPERIOR COMPL. | | 1 | | | | |
| | 6G6-42610-60-4D | TOP COWLING ASSY SOPORTE SUPERIOR COMPL. | | | 1 | | 1 | |
| 2 | 6E5-42647-00-94 | .HOLDER, CLAMP BAND .MORDAZA DE ABRAZADERA | 1 | 1 | 1 | 1 | 1 | |
| 3 | 6E5-42649-01-94 | .HOLDER, CLAMP BAND .MORDAZA DE ABRAZADERA | 2 | 2 | 2 | 2 | 2 | |
| 4 | 663-42662-00 | .DAMPER .AMORTIGUADOR | 3 | 3 | 3 | 3 | 3 | |
| 5 | 90266-06009 | .RIVET .REMACHE | 3 | 3 | 3 | 3 | 3 | |
| 6 | 90266-06M02 | .RIVET .REMACHE | 6 | 6 | 6 | 6 | 6 | |
| 7 | 6E5-42652-00 | .HOOK .GANCHO | 2 | 2 | 2 | 2 | 2 | |
| 8 | 688-42652-00 | .HOOK .GANCHO | 1 | 1 | 1 | 1 | 1 | |
| 9 | 97095-06016 | .BOLT .PERNO | 6 | 6 | 6 | 6 | 6 | |
| 10 | 92995-06600 | .WASHER .ARANDELA | 6 | 6 | 6 | 6 | 6 | |
| 11 | 6E5-42617-00 | .DAMPER, FORM .HULE DE FORMA | 1 | 1 | 1 | 1 | 1 | |
| 12 | 6G5-42619-00 | .DAMPER, FORM .HULE DE FORMA | 1 | 1 | 1 | 1 | 1 | STARBOARD SIDE |
| 13 | 6G5-42627-00 | .DAMPER, FORM .AMORTIGUADOR FORMA 3 | 1 | 1 | 1 | 1 | 1 | PORT SIDE |
| 14 | 6E5-42615-00 | .SEAL .SELLO | 1 | 1 | 1 | 1 | 1 | |
| 15 | 6G5-42613-00-4D | .MOLDING, AIR DUCT .MOLDURA CONDUCTO AIRE | 1 | 1 | 1 | 1 | 1 | |
| 16 | 92990-06600 | .WASHER, PLATE .ARANDELA | 4 | 4 | 4 | 4 | 4 | |
| 17 | 95380-06600 | .NUT, HEXAGON .TUERCA | 4 | 4 | 4 | 4 | 4 | |
| 18 | 6G4-42677-40 | .GRAPHIC, FRONT .CALCAMONIA FRONTAL | 1 | | | 1 | | |
| | 6G5-42677-40 | .GRAPHIC, FRONT .CALCAMONIA FRONTAL | | 1 | | | | |
| | 6G6-42677-40 | .GRAPHIC, FRONT .CALCAMONIA FRONTAL | | | 1 | | 1 | |
| 19 | 6G4-42678-31 | .GRAPHIC, REAR .CALCAMONIA TRASERA | 1 | | | 1 | | |
| | 6G5-42678-31 | .GRAPHIC, REAR .CALCAMONIA TRASERA | | 1 | | | | |
| | 6G6-42678-31 | .GRAPHIC, REAR .CALCAMONIA TRASERA | | | 1 | | 1 | |
| 20 | 6G5-W0070-31 | .GRAPHIC SET .JUEGO DE EMBLEMA | 1 | 1 | 1 | 1 | 1 | |
| 21 | 6G5-4267A-31 | .GRAPHIC, REAR 2 .CALCAMONIA TRASERA 2 | 1 | 1 | 1 | 1 | 1 | |

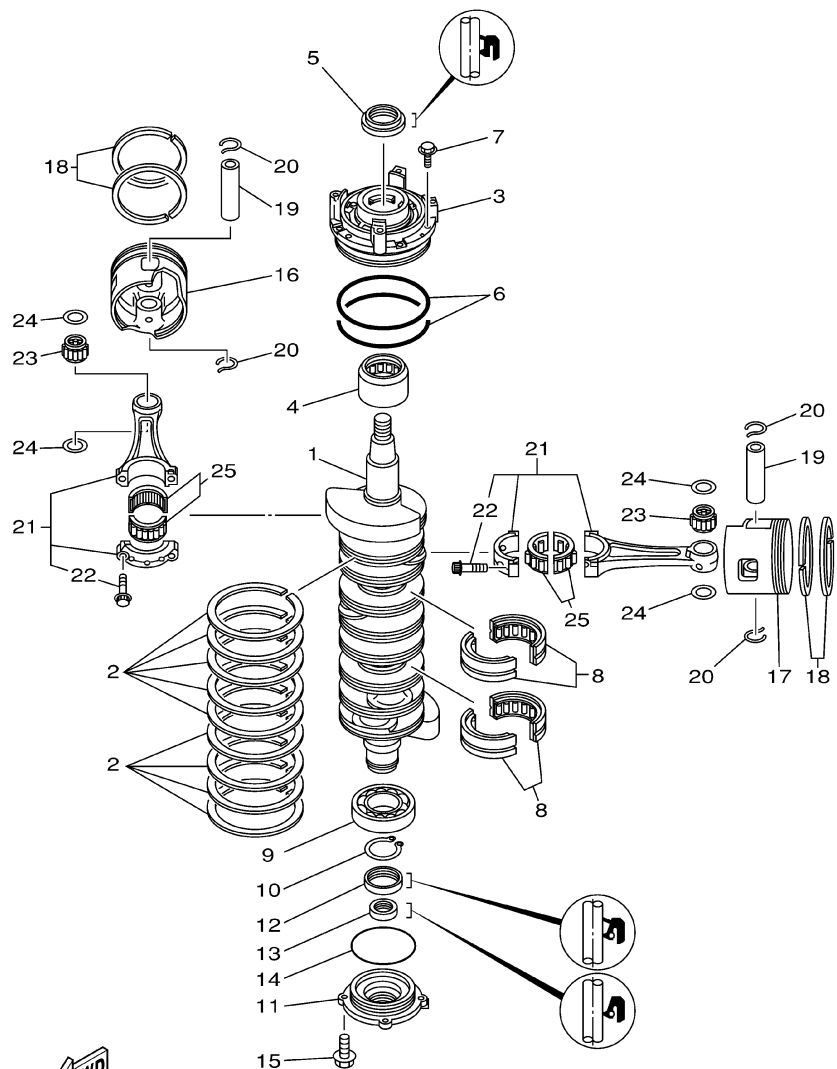
FIG. 2 CYLINDER. CRANKCASE 1 CYLINDRO. CARTER 1



| REF. NO. | PART NO. CODIGO NO. | DESCRIPTION DESCRIPTION | 150A | 175A | 200A | L150 | L200 | REMARKS OBSERVACION |
|----------|---------------------|---|------|------|------|------|------|---------------------|
| 1 | 64C-W0090-02-1S | CRANK CYLINDER ASSY BLOQUE MOTOR COMPLETO | 1 | | | | 1 | |
| | 64D-W0090-02-1S | CRANK CYLINDER ASSY BLOQUE MOTOR COMPLETO | | 1 | | | | |
| | 64E-W0090-03-1S | CRANK CYLINDER ASSY BLOQUE MOTOR COMPLETO | | | 1 | | 1 | |
| 2 | 64C-15100-21-1S | CRANKCASE ASSY CARTER COMPLETO | 1 | | | | 1 | |
| | 64D-15100-21-1S | CRANKCASE ASSY CARTER COMPLETO | | 1 | | | | |
| | 64E-15100-21-1S | CRANKCASE ASSY CARTER COMPLETO | | | 1 | | 1 | |
| 3 | 624-11379-00 | .VALVE, CHECK .VALVULA DE CONTROL | 2 | 2 | 2 | 2 | 2 | |
| 4 | 663-11518-01 | .LOCK, BEARING .SEGURO BALERO | 2 | 2 | 2 | 2 | 2 | |
| 5 | 646-11370-00 | .CHECK VALVE ASSY .VALVULA DE CONTROL COMPL. | 6 | 6 | 6 | 6 | 6 | |
| 6 | 90340-14M00 | .PLUG, STRAIGHT SCREW .TORNILLO DE DRENAJE | 2 | 2 | 2 | 2 | 2 | |
| 7 | 90430-14115 | .GASKET .JUNTA | 2 | 2 | 2 | 2 | 2 | |
| 8 | 93608-12063 | PIN, DOWEL PASADOR DE CLAVIJA | 2 | 2 | 2 | 2 | 2 | |
| 9 | 90105-10M20 | BOLT, FLANGE TORNILLO | 8 | 8 | 8 | 8 | 8 | |
| 10 | 90119-08M94 | BOLT, WITH WASHER TORNILLO CON ARANDELA | 12 | 12 | 12 | 12 | 12 | |
| 11 | 90116-08M45 | BOLT, STUD ESPARRAGO | 2 | 2 | 2 | 2 | 2 | |
| 12 | 6E5-11325-00 | ANODE ANODO | 8 | 8 | 8 | 8 | 8 | |
| 13 | 98780-04015 | SCREW, FLAT HEAD TORNILLO DE CABEZA PLANA | 8 | 8 | 8 | 8 | 8 | |
| 14 | 6R3-1131M-01 | COVER CUBIERTA | 1 | 1 | 1 | 1 | 1 | |
| 15 | 6R3-11397-01 | GASKET EMPAQUE | 1 | 1 | 1 | 1 | 1 | |
| 16 | 97013-06016 | BOLT PERNO | 2 | 2 | 2 | 2 | 2 | |
| 17 | 92903-06600 | WASHER, PLATE ARANDELA | 2 | 2 | 2 | 2 | 2 | |
| 18 | 6E5-11119-01 | HANGER, ENGINE SOPORTE DEL MOTOR | 1 | 1 | 1 | 1 | 1 | |
| 19 | 90119-08MA3 | BOLT, WITH WASHER TORNILLO CON ARANDELA | 2 | 2 | 2 | 2 | 2 | |
| 20 | 6E5-11371-00-1S | COVER CUBIERTA 1 | 1 | 1 | 1 | 1 | 1 | |
| 21 | 6E5-11381-A2 | GASKET 1 EMPAQUE 1 | 1 | 1 | 1 | 1 | 1 | |
| 22 | 90119-06MA2 | BOLT, WITH WASHER TORNILLO CON ARANDELA | 7 | 7 | 7 | 7 | 7 | |
| 23 | 6E5-42761-00-1S | STOPPER RETEN 1 | 1 | 1 | 1 | 1 | 1 | |

FIG. 3 CRANKSHAFT. PISTON

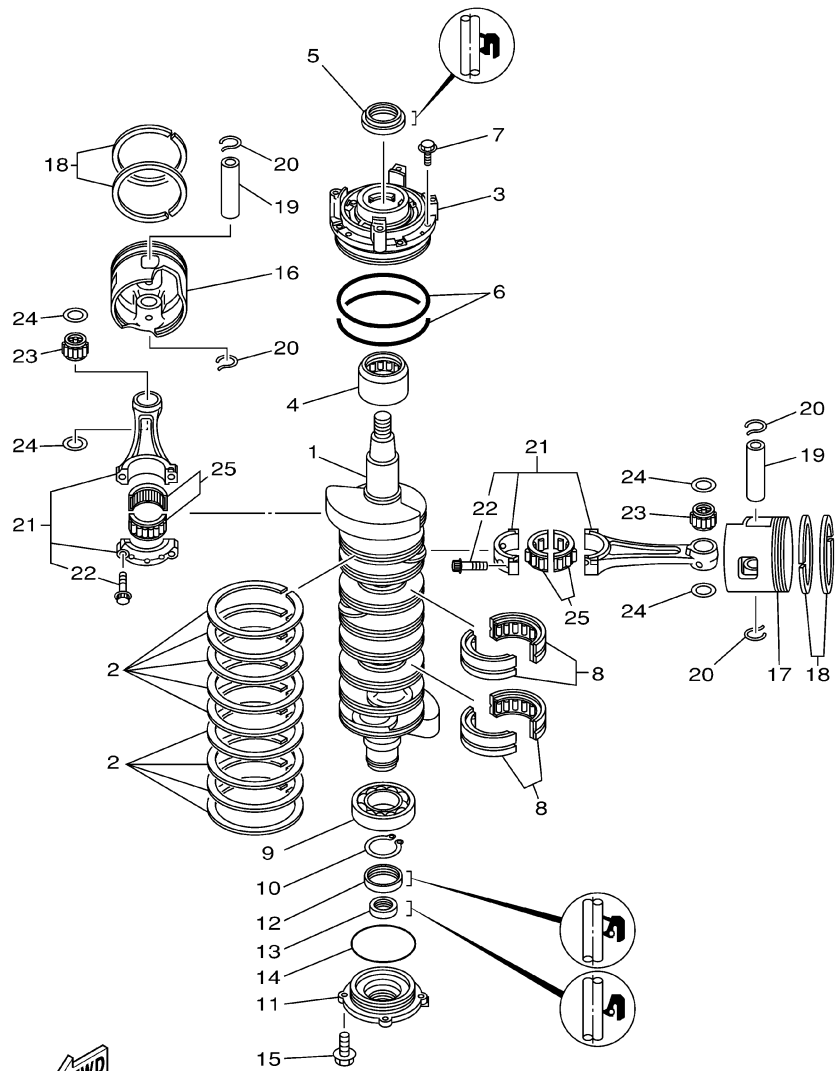
CIGUENAL. PISTON



6G50010-0030

| REF. NO. | PART NO. CODIGO NO. | DESCRIPTION DESCRIPTION | 150A | 175A | 200A | L150 | L200 | REMARKS OBSERVACION |
|----------|---------------------|---|------|------|------|------|------|---------------------|
| 1 | 6G5-11411-02 | CRANKSHAFT CIGUENAL | 1 | 1 | 1 | 1 | 1 | |
| 2 | 6E5-11447-00 | SEAL, CRANK SELLO MANIVELA | 9 | 9 | 9 | 9 | 9 | |
| 3 | 6E5-15163-00-1S | HOUSING, BEARING 1 CAJA DE COJINETE 1 | 1 | 1 | 1 | 1 | 1 | |
| 4 | 93311-940U3 | BEARING COJINETE | 1 | 1 | 1 | 1 | 1 | |
| 5 | 93102-40M14 | OIL SEAL SELLO ACEITE | 1 | 1 | 1 | 1 | 1 | |
| 6 | 93211-04001 | O-RING ANILLO O | 2 | 2 | 2 | 2 | 2 | |
| 7 | 90119-06MA2 | BOLT, WITH WASHER TORNILLO CON ARANDELA | 4 | 4 | 4 | 4 | 4 | |
| 8 | 93310-954U1 | BEARING COJINETE | 2 | 2 | 2 | 2 | 2 | |
| 9 | 93306-208U0 | BEARING COJINETE | 1 | 1 | 1 | 1 | 1 | |
| 10 | 93410-40M03 | CIRCLIP BOLA | 1 | 1 | 1 | 1 | 1 | |
| 11 | 6G5-15359-00-94 | HOUSING, OIL SEAL CAJA DE SELLO DE ACEITE | 1 | 1 | 1 | 1 | 1 | |
| 12 | 93102-35M13 | OIL SEAL SELLO ACEITE | 1 | 1 | 1 | 1 | 1 | |
| 13 | 93101-22M15 | OIL SEAL SELLO ACEITE | 1 | 1 | 1 | 1 | 1 | |
| 14 | 93210-74M35 | O-RING ANILLO O | 1 | 1 | 1 | 1 | 1 | |
| 15 | 90119-06MA2 | BOLT, WITH WASHER TORNILLO CON ARANDELA | 4 | 4 | 4 | 4 | 4 | |
| 16 | 64D-11631-02-90 | PISTON (STD) | 3 | 3 | 3 | 3 | 3 | |
| | 64D-11631-02-90 | PISTON (STD) | | | 2 | | 2 | #3,5 |
| | 64D-11631-22-90 | PISTON (STD) | | | 1 | | 1 | #1 |
| | 64D-11635-02 | PISTON (0.25MM O/S) | 3 | 3 | 3 | 3 | 3 | AP |
| | 64D-11635-02 | PISTON (0.25MM O/S) | | | 2 | | 2 | AP #3,5 |
| | 64D-11635-22 | PISTON (0.25MM O/S) | | | 1 | | 1 | AP #1 |
| | 64D-11636-02 | PISTON (0.50MM O/S) | 3 | 3 | 3 | 3 | 3 | AP |
| | 64D-11636-02 | PISTON (0.50MM O/S) | | | 2 | | 2 | AP #3,5 |
| | 64D-11636-22 | PISTON (0.50MM O/S) | | | 1 | | 1 | AP #1 |
| 17 | 64D-11642-02-90 | PISTON 2 (STD) | 3 | 3 | 3 | 3 | 3 | |
| | 64D-11642-02-90 | PISTON 2 (STD) | | | 2 | | 2 | #4,6 |
| | 64D-11642-22-90 | PISTON 2 (STD) | | | 1 | | 1 | #2 |

B1

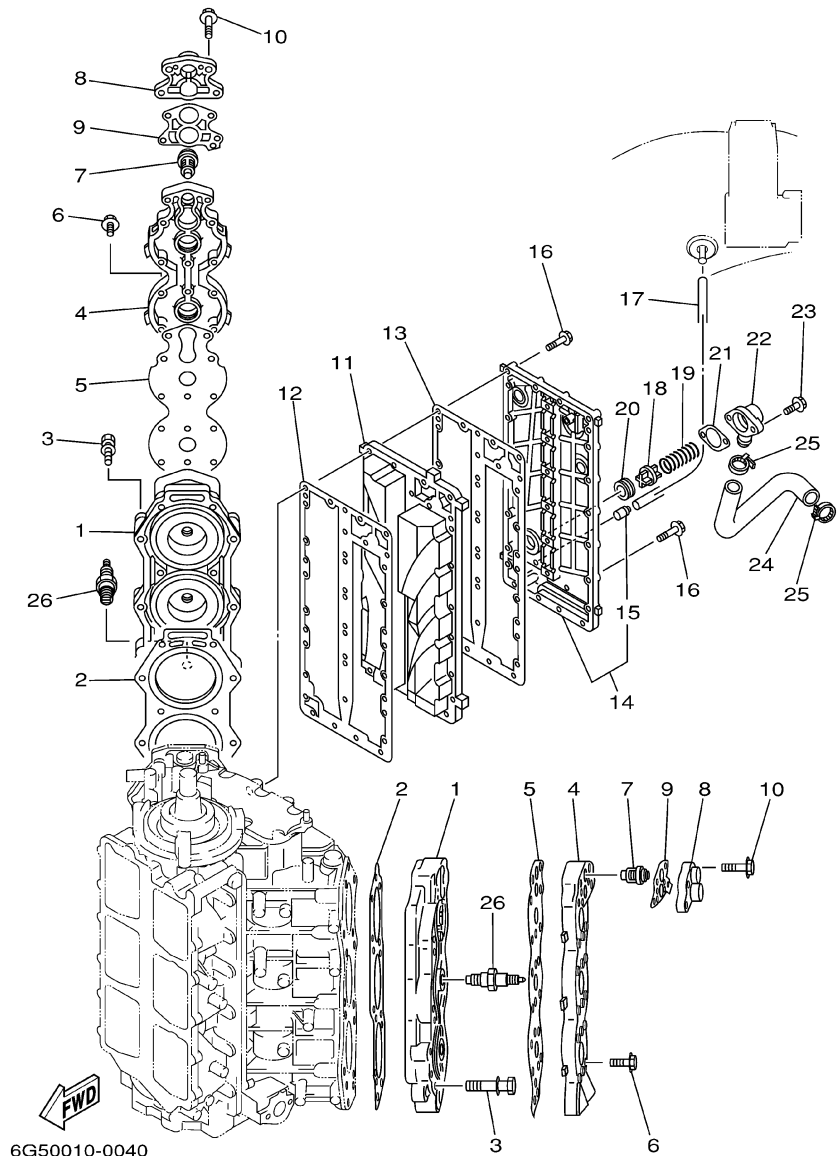


6G50010-0030

FIG. 3 CRANKSHAFT. PISTON CIGUENAL. PISTON

| REF. NO. | PART NO. CODIGO NO. | DESCRIPTION DESCRIPTION | 150A | 175A | 200A | L150 | L200 | REMARKS OBSERVACION |
|----------|---------------------|--|------|------|------|------|------|---------------------|
| 17 | 64D-11645-02 | PISTON 2 (0.25MM O/S) | 3 | 3 | 3 | 3 | 3 | AP |
| | 64D-11645-02 | PISTON 2 (0.25MM O/S) | | | | 2 | 2 | AP #4,6 |
| | 64D-11645-22 | PISTON 2 (0.25MM O/S) | | | 1 | | 1 | AP #2 |
| | 64D-11646-02 | PISTON 2 (0.50MM O/S) | 3 | 3 | 3 | 3 | 3 | AP |
| | 64D-11646-02 | PISTON 2 (0.50MM O/S) | | | | 2 | 2 | AP #4,6 |
| | 64D-11646-22 | PISTON 2 (0.50MM O/S) | | | | 1 | 1 | AP #2 |
| 18 | 64D-11603-01 | PISTON RING SET (STD) | 6 | 6 | 6 | 6 | 6 | |
| | 64D-11604-01 | PISTON RING SET (0.25MM O/S) | 6 | 6 | 6 | 6 | 6 | AP |
| | 64D-11605-01 | PISTON RING SET (0.50MM O/S) | 6 | 6 | 6 | 6 | 6 | AP |
| 19 | 6R5-11633-10 | PIN, PISTON PASADOR, PISTON | 6 | 6 | 6 | 6 | 6 | |
| 20 | 6R5-11634-10 | CLIP, PISTON PIN PRESILLA, BULON DE PISTON | 12 | 12 | 12 | 12 | 12 | |
| 21 | 6R5-11650-10 | CONNECTING ROD ASSY BIELA COMPLETA | 6 | 6 | 6 | 6 | 6 | |
| 22 | 90109-08022 | .BOLT .PERNO | 2 | 2 | 2 | 2 | 2 | |
| 23 | 93310-323V6 | BEARING COJINETE | 6 | 6 | 6 | 6 | 6 | |
| 24 | 90201-23M01 | WASHER, PLATE ARANDELA PLANA | 12 | 12 | 12 | 12 | 12 | |
| 25 | 93310-836V2 | BEARING COJINETE | 6 | 6 | 6 | 6 | 6 | |

FIG. 4 CYLINDER. CRANKCASE 2 CYLINDRO. CARTER 2



6G50010-0040

| REF. NO. | PART NO. CODIGO NO. | DESCRIPTION DESCRIPTION | 150A | 175A | 200A | L150 | L200 | REMARKS OBSERVACION |
|----------|---------------------|--|------|------|------|------|------|---------------------|
| 1 | 6G5-11111-04-1S | HEAD, CYLINDER 1 CULATA CILINDRO 1 | 2 | 2 | 2 | 2 | 2 | |
| 2 | 6G5-11181-A1 | GASKET, CYLINDER HEAD 1 JUNTA, DE CULATA 1 | 2 | 2 | 2 | 2 | 2 | |
| 3 | 90119-08MA8 | BOLT, WITH WASHER TORNILLO CON ARANDELA | 28 | 28 | 28 | 28 | 28 | |
| 4 | 6G5-11191-00-1S | COVER, CYLINDER HEAD 1 TAPA CULATA DE CILINDRO 1 | 2 | 2 | 2 | 2 | 2 | |
| 5 | 6G5-11193-A0 | GASKET, HEAD COVER 1 EMPAQUE | 2 | 2 | 2 | 2 | 2 | |
| 6 | 90119-06MA4 | BOLT, WITH WASHER TORNILLO CON ARANDELA | 36 | 36 | 36 | 36 | 36 | |
| 7 | 6E5-12411-20 | THERMOSTAT TERMOSTAT | 2 | 2 | 2 | 2 | 2 | |
| 8 | 688-12413-00-1S | COVER, THERMOSTAT CUBIERTA TERMOSTATO | 2 | 2 | 2 | 2 | 2 | |
| 9 | 688-12414-A1 | GASKET, COVER EMPAQUE | 2 | 2 | 2 | 2 | 2 | |
| 10 | 90119-06MA6 | BOLT, WITH WASHER TORNILLO CON ARANDELA | 8 | 8 | 8 | 8 | 8 | |
| 11 | 64D-41111-00-1S | INNER COVER, EXHAUST CUBIERTA INTERIOR DE ESCAPE | 1 | 1 | 1 | 1 | 1 | |
| 12 | 6G5-41112-A1 | GASKET, EXHAUST INNER COVER EMPAQUE | 1 | 1 | 1 | 1 | 1 | |
| 13 | 6G5-41112-A1 | GASKET, EXHAUST INNER COVER EMPAQUE | 1 | 1 | 1 | 1 | 1 | |
| 14 | 6R3-41113-00-1S | OUTER COVER, EXHAUST CUBOERTA EXTERIOR DE ESCAPE | 1 | 1 | 1 | 1 | 1 | |
| 15 | 652-24461-00 | PIPE, JOINT TUBO DE UNION | 1 | 1 | 1 | 1 | 1 | |
| 16 | 90119-06MA5 | BOLT, WITH WASHER TORNILLO CON ARANDELA | 29 | 29 | 29 | 29 | 29 | |
| 17 | 90445-09097 | HOSE TUBO | 1 | 1 | 1 | 1 | 1 | |
| 18 | 6G5-12416-00 | VALVE, PRESSURE CONTROL VALVULA DE CONTROL DE PRESION | 1 | 1 | 1 | 1 | 1 | |
| 19 | 90501-16M11 | SPRING, COMPRESSION RESORTE DE COMPRESION | 1 | 1 | 1 | 1 | 1 | |
| 20 | 90480-20M05 | GROMMET TAPON | 1 | 1 | 1 | 1 | 1 | |
| 21 | 6G5-11382-A1 | GASKET 2 EMPAQUE 2 | 1 | 1 | 1 | 1 | 1 | |
| 22 | 6G5-11372-00-1S | COVER, BYPASS 2 CUBIERTA | 1 | 1 | 1 | 1 | 1 | |
| 23 | 90119-06MA2 | BOLT, WITH WASHER TORNILLO CON ARANDELA | 2 | 2 | 2 | 2 | 2 | |
| 24 | 6G5-12576-00 | HOSE 1 MANGUERA 1 | 1 | 1 | 1 | 1 | 1 | |
| 25 | 90465-13M18 | CLAMP BRIDA | 2 | 2 | 2 | 2 | 2 | |
| 26 | 94702-00160 | PLUG, SPARK (NGK B8HS-10) BUJIA (NGK B8HS-10) | 6 | 6 | 6 | 6 | 6 | |
| | 94702-00247 | PLUG, SPARK (NGK BR8HS-10) BUJIA (NGK BR8HS-10) | 6 | 6 | 6 | 6 | 6 | FOR CHINA,CARIB |

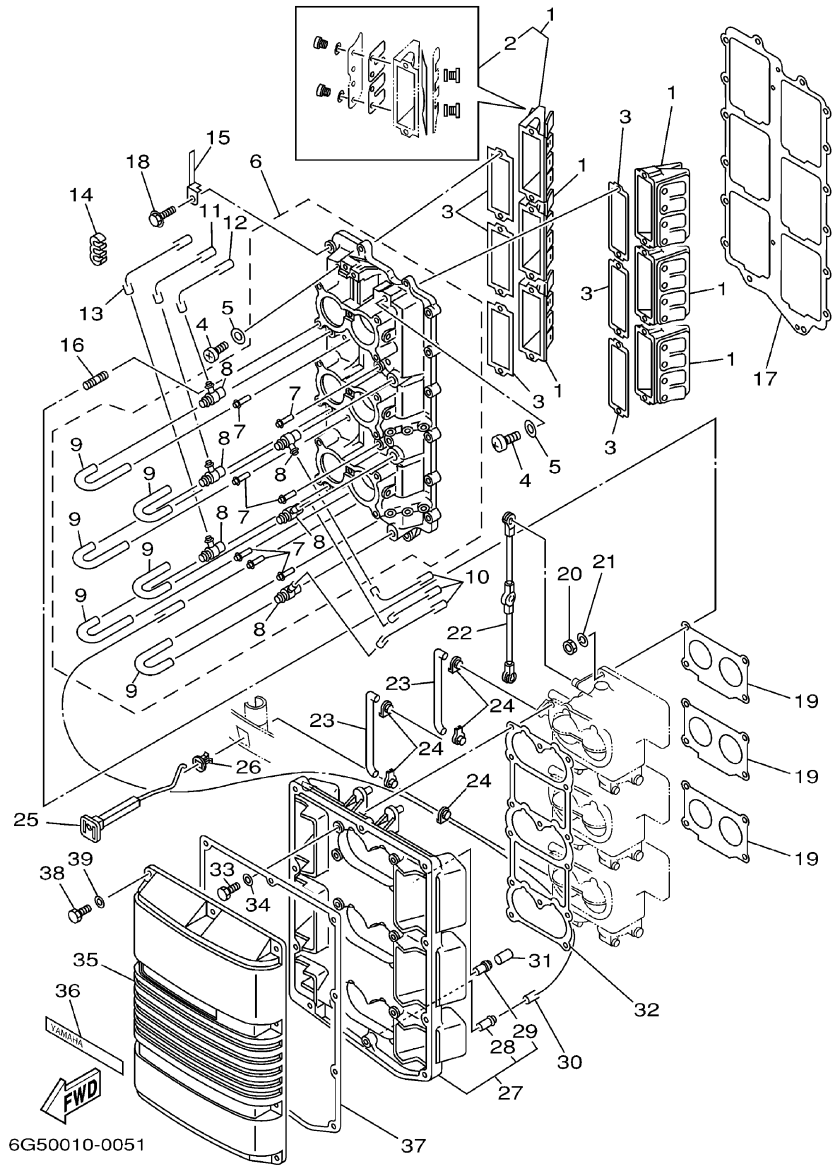


FIG. 5 INTAKE

ADMISION

| REF. NO. | PART NO. CODIGO NO. | DESCRIPTION DESCRIPTION | 150A | 175A | 200A | L150 | L200 | REMARKS OBSERVACION |
|----------|---------------------|---|------|------|------|------|------|---------------------|
| 1 | 6G5-13610-00 | REED VALVE ASSY VALVULA DE LAMINAS COMPLETA | 6 | | | 6 | | |
| | 6E5-13610-00 | REED VALVE ASSY VALVULA DE LAMINAS COMPLETA | | 6 | 6 | | 6 | |
| 2 | 6E5-W0004-00 | .REED SET .JUEGO DE VALVULAS DE LENGUETA | 1 | 1 | 1 | 1 | 1 | |
| 3 | 6E5-13621-A1 | GASKET, VALVE SEAT JUNTA, DE VALV.DE EMPAQUE | 6 | 6 | 6 | 6 | 6 | |
| 4 | 97880-05016 | SCREW, PAN HEAD TORNILLO DE CABEZA CON PLANA | 12 | 12 | 12 | 12 | 12 | |
| 5 | 92990-05600 | WASHER, PLATE ARANDELA | 12 | 12 | 12 | 12 | 12 | |
| 6 | 6G5-13641-00-1S | MANIFOLD 1 MULTIPLE 1 | 1 | 1 | 1 | 1 | 1 | |
| 7 | 624-14485-00 | .PIPE, JOINT .TUBO DE UNION | 7 | 7 | 7 | 7 | 7 | |
| 8 | 6E5-11370-00 | .CHECK VALVE ASSY .VALVULA DE CONTROL COMPL. | 6 | 6 | 6 | 6 | 6 | |
| 9 | 90445-07M28 | .HOSE (L70) .TUBO (L70) | 6 | 6 | 6 | 6 | 6 | |
| 10 | 90445-07M45 | HOSE (L340) TUBO (L340) | 3 | 3 | 3 | 3 | 3 | |
| 11 | 90445-07M46 | HOSE (L360) TUBO (L360) | 1 | 1 | 1 | 1 | 1 | |
| 12 | 90445-07M09 | HOSE (L380) TUBO (L380) | 1 | 1 | 1 | 1 | 1 | |
| 13 | 90445-07M59 | HOSE (L1160) TUBO (L1160) | 1 | 1 | 1 | 1 | 1 | |
| 14 | 90464-07M05 | CLAMP BRIDA | 2 | 2 | 2 | 2 | 2 | |
| 15 | 90465-10M91 | CLAMP BRIDA | 2 | 2 | 2 | 2 | 2 | |
| 16 | 90116-06M30 | BOLT, STUD ESPARRAGO | 12 | 12 | 12 | 12 | 12 | |
| 17 | 6G5-13645-A1 | GASKET, MANIFOLD 1 EMPAQUE | 1 | 1 | 1 | 1 | 1 | |
| 18 | 90119-06MA3 | BOLT, WITH WASHER TORNILLO CON ARANDELA | 16 | 16 | 16 | 16 | 16 | |
| 19 | 6E5-14198-A2 | GASKET EMPAQUE | 3 | 3 | 3 | 3 | 3 | |
| 20 | 95380-06600 | NUT, HEXAGON TUERCA | 12 | 12 | 12 | 12 | 12 | |
| 21 | 92995-06100 | WASHER, SPRING ARANDELA | 12 | 12 | 12 | 12 | 12 | |
| 22 | 6G5-41217-01 | ROD, ACCEL. LEVER VARILLA PALANCA ACELERADOR | 1 | 1 | 1 | 1 | 1 | |
| 23 | 6E5-41256-01 | ROD, CHOKE 1 VARILLA DE AHOGADOR | 2 | 2 | 2 | 2 | 2 | |
| 24 | 661-41262-02 | JOINT, CHOKE LEVER CONECTOR DE AHOGADOR | 5 | 5 | 5 | 5 | 5 | |
| 25 | 6E5-41271-02 | KNOB, CHOKE PERILLA AHOGADOR | 1 | 1 | 1 | 1 | 1 | |
| 26 | 689-41273-00 | GROMMET TAPON PROTECTOR | 1 | 1 | 1 | 1 | 1 | |

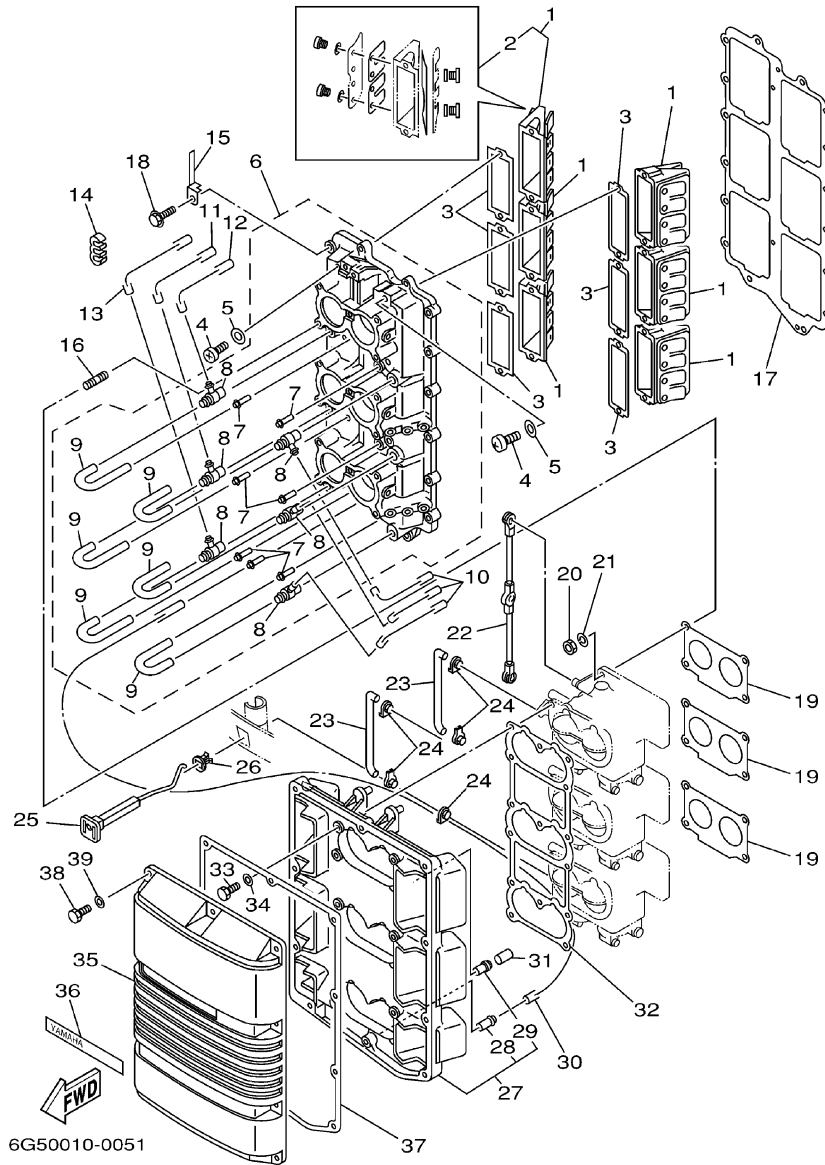


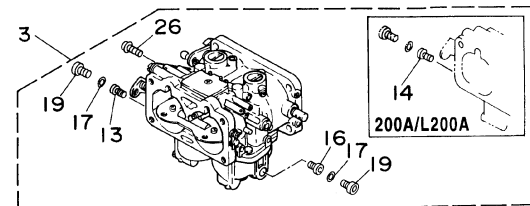
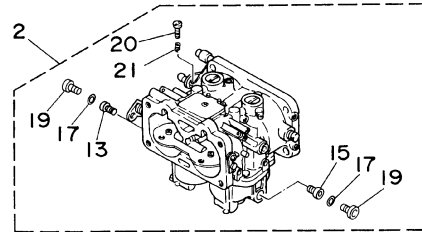
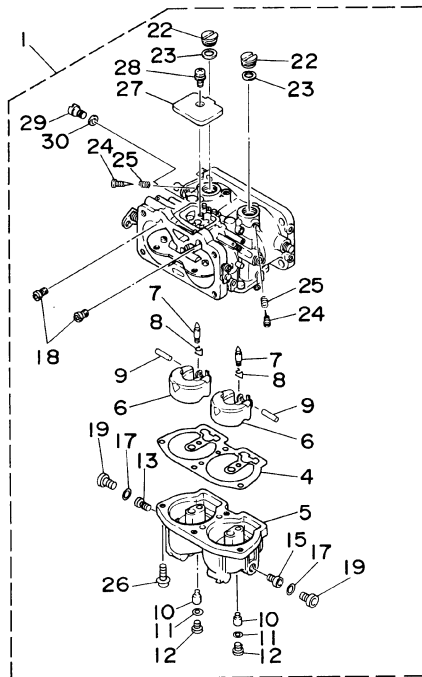
FIG. 5 INTAKE

ADMISION

| REF. NO. | PART NO. CODIGO NO. | DESCRIPTION DESCRIPTION | 150A | 175A | 200A | L150 | L200 | REMARKS OBSERVACION |
|----------|---------------------|---|------|------|------|------|------|---------------------|
| 27 | 6G5-14417-10-94 | COVER 1 CUBIERTA 1 | 1 | 1 | 1 | 1 | 1 | |
| 28 | 624-14485-00 | .PIPE, JOINT .TUBO DE UNION | 1 | 1 | 1 | 1 | 1 | |
| 29 | 6E5-14485-00 | .PIPE, JOINT .TUBO DE UNION | 1 | 1 | 1 | 1 | 1 | |
| 30 | 90445-07M23 | HOSE (L408) TUBO (L408) | 1 | 1 | 1 | 1 | 1 | |
| 31 | 647-14395-60 | CAP, OVERFLOW PIPE TAPA DE TUBO REBOSAMIENTO | 1 | 1 | 1 | 1 | 1 | |
| 32 | 6G5-14483-A1 | GASKET EMPAQUE | 1 | 1 | 1 | 1 | 1 | |
| 33 | 97013-06020 | BOLT PERNO | 12 | 12 | 12 | 12 | 12 | |
| 34 | 92903-06600 | WASHER, PLATE ARANDELA | 12 | 12 | 12 | 12 | 12 | |
| 35 | 6G5-14418-00 | COVER 2 CUBIERTA 2 | 1 | 1 | 1 | 1 | 1 | |
| 36 | 6G5-1441K-00 | EMBLEM EMBLEMA | 1 | 1 | 1 | 1 | 1 | |
| 37 | 6G5-14416-A1 | GASKET, AIR CLEANER EMPAQUE | 1 | 1 | 1 | 1 | 1 | |
| 38 | 97095-06020 | BOLT PERNO | 10 | 10 | 10 | 10 | 10 | |
| 39 | 92995-06600 | WASHER ARANDELA | 10 | 10 | 10 | 10 | 10 | |

FIG. 6 CARBURETOR

CARBURADOR

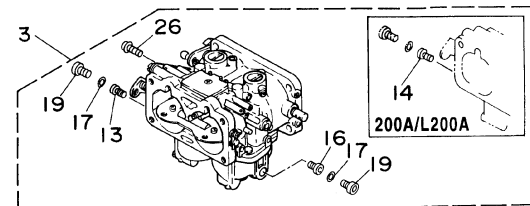
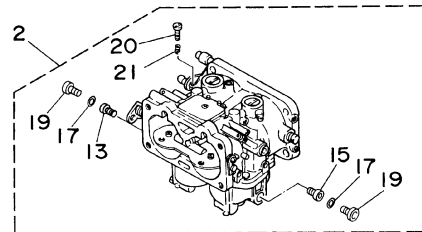
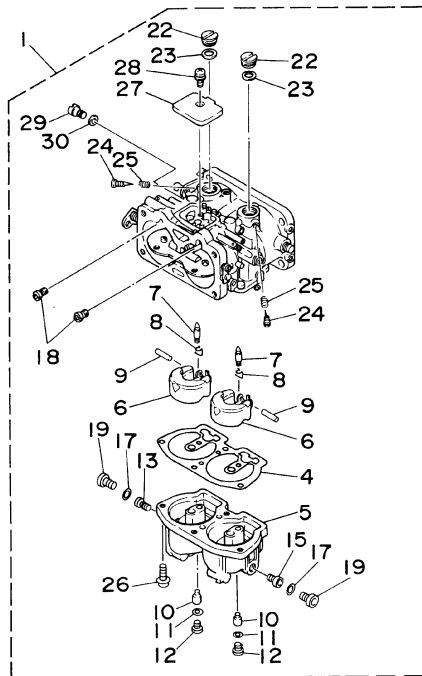


64D0010-6060

| REF. NO. | PART NO. CODIGO NO. | DESCRIPTION DESCRIPTION | 150A | 175A | 200A | L150 | L200 | REMARKS OBSERVACION |
|----------|---------------------|--|------|------|------|------|------|---------------------|
| 1 | 64C-14301-01 | CARBURETOR ASSY 1 CARBURADOR COMPLETO 1 | 1 | | | 1 | | |
| | 64D-14301-01 | CARBURETOR ASSY 1 CARBURADOR COMPLETO 1 | | 1 | | | | |
| | 64E-14301-01 | CARBURETOR ASSY 1 CARBURADOR COMPLETO 1 | | | 1 | | 1 | |
| 2 | 64C-14302-01 | CARBURETOR ASSY 2 CARBURADOR COMPLETO 2 | 1 | | | 1 | | |
| | 64D-14302-01 | CARBURETOR ASSY 2 CARBURADOR COMPLETO 2 | | 1 | | | | |
| | 64E-14302-01 | CARBURETOR ASSY 2 CARBURADOR COMPLETO 2 | | | 1 | | 1 | |
| 3 | 64C-14303-01 | CARBURETOR ASSY 3 CARBURADOR COMPLETO 3 | 1 | | | 1 | | |
| | 64D-14303-01 | CARBURETOR ASSY 3 CARBURADOR COMPLETO 3 | | 1 | | | | |
| | 64E-14303-01 | CARBURETOR ASSY 3 CARBURADOR COMPLETO 3 | | | 1 | | 1 | |
| 4 | 64D-14384-01 | .GASKET, FLOAT CHAMBER .EMPAQUE DE CAMARA DE BOIA | 3 | 3 | 3 | 3 | 3 | |
| 5 | 64D-14381-00 | .BODY, FLOAT CHAMBER .CUERPO DE CAMARA DE BOIA | 3 | 3 | 3 | 3 | 3 | |
| 6 | 6E5-14385-02 | .FLOAT .BOIA | 6 | 6 | 6 | 6 | 6 | |
| 7 | 6E5-14546-00 | .VALVE, NEEDLE .VALVULA DE AGUJA | 6 | 6 | 6 | 6 | 6 | |
| 8 | 6E5-14159-00 | .CLIP .PRESILLA | 6 | 6 | 6 | 6 | 6 | |
| 9 | 6E5-14386-02 | .PIN, FLOAT .PASADOR DE BOIA | 6 | 6 | 6 | 6 | 6 | |
| 10 | 64D-1492F-42 | .JET, AIR SLOW (#84) .ESPREA (#84) | 6 | 6 | 6 | 6 | 6 | |
| 11 | 61U-14959-00 | .GASKET .EMPAQUE | 6 | 6 | 6 | 6 | 6 | |
| 12 | 64D-14394-00 | .VALVE, DRAIN .VALVULA DE DRENAJE | 6 | 6 | 6 | 6 | 6 | |
| 13 | 64D-1492E-75 | .JET, MAIN (#150) .INYECTOR PRINCIPAL (#150) | 3 | 3 | | 3 | | |
| | 64D-1492E-75 | .JET, MAIN (#150) .INYECTOR PRINCIPAL (#150) | | | 2 | | 2 | |
| 14 | 64D-1492E-76 | .JET, MAIN (#152) .INYECTOR PRINCIPAL (#152) | | | 1 | | 1 | |
| 15 | 64D-1492E-77 | .JET, MAIN (#154) .INYECTOR PRINCIPAL (#154) | 2 | 2 | 2 | 2 | 2 | |
| 16 | 64D-1492E-79 | .JET, MAIN (#158) .INYECTOR PRINCIPAL (#158) | 1 | 1 | 1 | 1 | 1 | |
| 17 | 6E5-14398-01 | .GASKET .EMPAQUE | 6 | 6 | 6 | 6 | 6 | |
| 18 | 61A-1492H-12 | .JET, SLOW AIR BLEED (#60) .ESPREA AIRE (#60) | 6 | 6 | 6 | 6 | 6 | |
| 19 | 61A-14383-01 | .SCREW, DRAIN .TORNILLO DE DRENAJE | 6 | 6 | 6 | 6 | 6 | |
| 20 | 6E5-14321-00 | .SCREW, THROTTLE .TORNILLO DE OBTURADOR | 1 | 1 | 1 | 1 | 1 | #2 |

FIG. 6 CARBURETOR

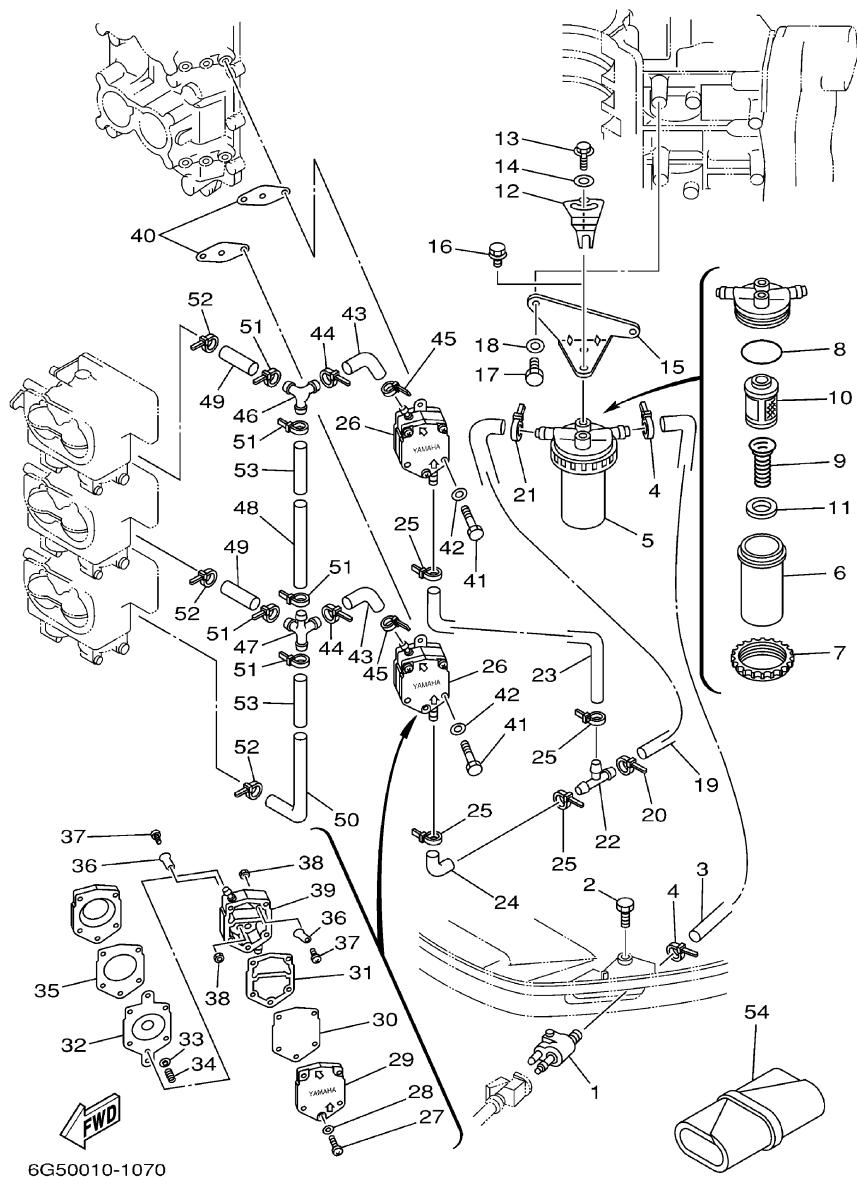
CARBURADOR



| REF. NO. | PART NO. CODIGO NO. | DESCRIPTION DESCRIPTION | 150A | 175A | 200A | L150 | L200 | REMARKS OBSERVACION |
|----------|---------------------|--|------|------|------|------|------|---------------------|
| | | | | | | | | |
| 21 | 6J8-14334-00 | .SPRING, THROTTLE .RESORTE DE AJUSTADOR DE AIRE | 1 | 1 | 1 | 1 | 1 | #2 |
| 22 | 6E5-14328-01 | .PLUG .TORNILLO TOPE DE PILOTO | 6 | 6 | 6 | 6 | 6 | |
| 23 | 6E5-14979-00 | .GASKET .EMPAQUE DE ARRANQUE | 6 | 6 | 6 | 6 | 6 | |
| 24 | 6E5-14323-03 | .SCREW, AIR ADJUSTING .TORNILLO DE AJUSTE DE AIRE | 6 | 6 | 6 | 6 | 6 | |
| 25 | 6E5-14223-00 | .SPRING, AIR ADJUSTING .RESORTE AJUSTE DE AIRE | 6 | 6 | 6 | 6 | 6 | |
| 26 | 97980-05116 | .SCREW, WITH WASHER .TORNILLO, CON ARANDELA | 13 | 13 | | 13 | | |
| | 97980-05116 | .SCREW, WITH WASHER .TORNILLO, CON ARANDELA | | | 12 | | 12 | |
| 27 | 6E5-14527-01 | .PLATE .PLACA | 3 | 3 | 3 | 3 | 3 | |
| 28 | 97980-05108 | .SCREW, WITH WASHER .TORNILLO, CON ARANDELA | 3 | 3 | 3 | 3 | 3 | |
| 29 | 6E5-14324-00 | .SCREW, FLAT HEAD .TORNILLO CABEZA PLANA | 3 | 3 | 3 | 3 | 3 | |
| 30 | 6J8-14959-00 | .GASKET .EMPAQUE | 3 | 3 | 3 | 3 | 3 | |



64D0010-6060

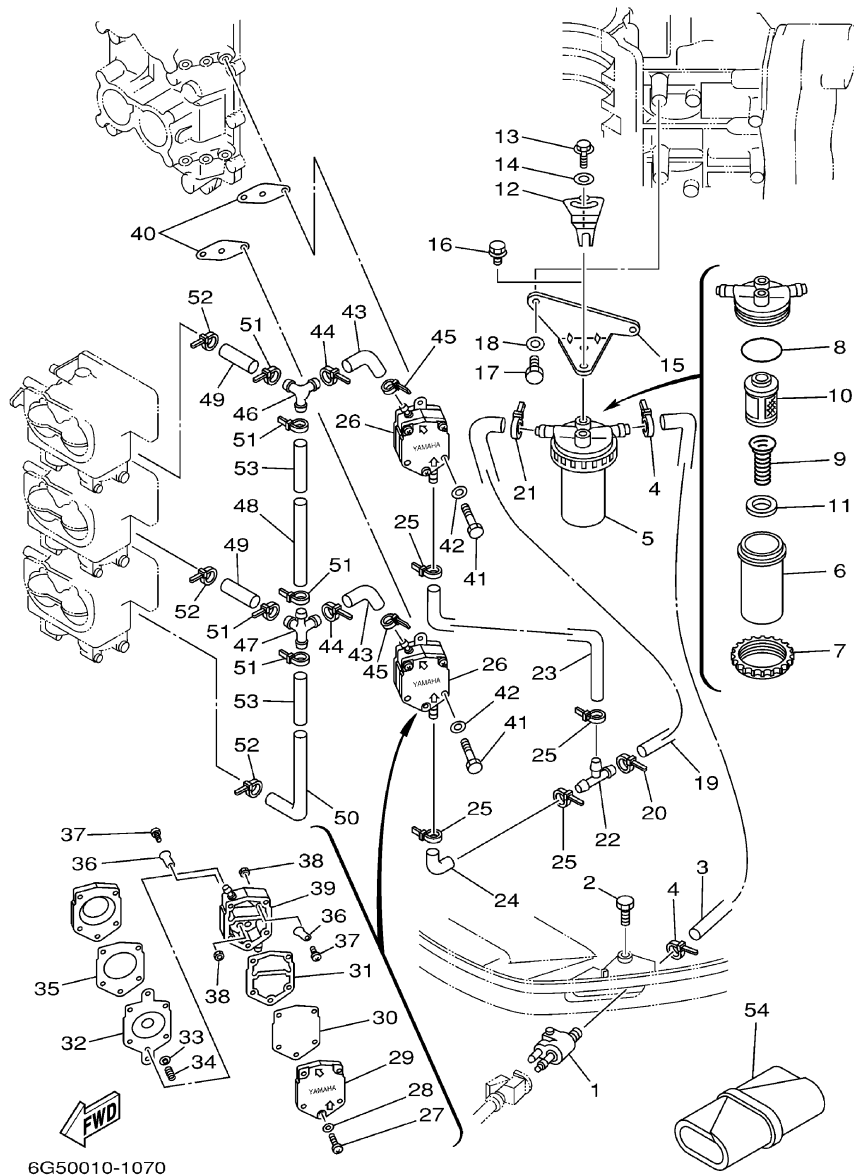


6G50010-1070

FIG. 7 FUEL 1

COMBUSTIBLE 1

| REF. NO. | PART NO. CODIGO NO. | DESCRIPTION DESCRIPTION | 150A | 175A | 200A | L150 | L200 | REMARKS OBSERVACION |
|----------|---------------------|--|------|------|------|------|------|---------------------|
| 1 | 6E5-24304-10 | FUEL PIPE JOINT COMP. 1 CONECTOR MANGUERA COMBUST.1 | 1 | 1 | 1 | 1 | 1 | |
| 2 | 97095-06028 | BOLT PERNO | 1 | 1 | 1 | 1 | 1 | |
| 3 | 6G5-24313-01 | PIPE 3 TUBO 3 | 1 | 1 | 1 | 1 | 1 | |
| 4 | 90465-11M10 | CLAMP BRIDA | 2 | 2 | 2 | 2 | 2 | |
| 5 | 61A-24560-04 | FILTER ASSY FILTRO COMPLETO | 1 | 1 | 1 | 1 | 1 | |
| 6 | 61A-24521-00 | .CUP, FILTER .COPA DE FILTRO | 1 | 1 | 1 | 1 | 1 | |
| 7 | 65L-24531-01 | .NUT .TUERCA | 1 | 1 | 1 | 1 | 1 | |
| 8 | 61A-24564-00 | .O-RING .ANILLO O | 1 | 1 | 1 | 1 | 1 | |
| 9 | 61A-24577-01 | .SPRING .RESORTE | 1 | 1 | 1 | 1 | 1 | |
| 10 | 61A-24563-00 | .ELEMENT, FILTER .ELEMENTO DEL FILTRO | 1 | 1 | 1 | 1 | 1 | |
| 11 | 61A-24469-00 | .FLOAT, WATER LEVEL .BOIA | 1 | 1 | 1 | 1 | 1 | |
| 12 | 65L-24558-00 | HOLDER, FILTER SOPORTE DE FILTRO | 1 | 1 | 1 | 1 | 1 | |
| 13 | 97595-06416 | BOLT, WITH WASHER PERNO CON ARANDELA RONDELLE | 1 | 1 | 1 | 1 | 1 | |
| 14 | 90201-06068 | WASHER, PLATE ARANDELA PLANA | 1 | 1 | 1 | 1 | 1 | |
| 15 | 61U-24566-00 | BRACKET, FILTER SOPORTE DEL FILTRO | 1 | 1 | 1 | 1 | 1 | |
| 16 | 97595-06514 | BOLT, WITH WASHER PERNO CON ARANDELA RONDELLE | 1 | 1 | 1 | 1 | 1 | |
| 17 | 97095-06016 | BOLT PERNO | 2 | 2 | 2 | 2 | 2 | |
| 18 | 92995-06600 | WASHER ARANDELA | 2 | 2 | 2 | 2 | 2 | |
| 19 | 6G5-24314-10 | PIPE 4 TUBO 4 | 1 | 1 | 1 | 1 | 1 | |
| 20 | 90465-11M10 | CLAMP BRIDA | 1 | 1 | 1 | 1 | 1 | |
| 21 | 90465-11M10 | CLAMP BRIDA | 1 | 1 | 1 | 1 | 1 | |
| 22 | 6E5-24378-00 | PIPE, JOINT 3 TUBO DE UNION 3 | 1 | 1 | 1 | 1 | 1 | |
| 23 | 6G5-24315-00 | PIPE 5 TUBO DE DESAGUE | 1 | 1 | 1 | 1 | 1 | |
| 24 | 6E5-24315-00 | PIPE 5 TUBO DE DESAGUE | 1 | 1 | 1 | 1 | 1 | |
| 25 | 90465-11M10 | CLAMP BRIDA | 4 | 4 | 4 | 4 | 4 | |
| 26 | 6E5-24410-03 | FUEL PUMP ASSY BOMBA DE COMBUSTIBLE COMPLETA | 2 | 2 | 2 | 2 | 2 | |
| 27 | 98503-05035 | .SCREW, PAN HEAD .TORNILLO DE CABEZA CON PLANA | 3 | 3 | 3 | 3 | 3 | |



6G50010-1070

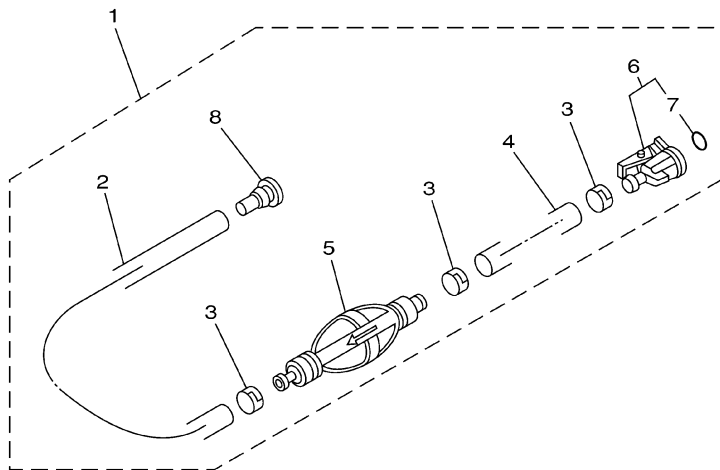
FIG. 7 FUEL 1

COMBUSTIBLE 1

| REF. NO. | PART NO. CODIGO NO. | DESCRIPTION DESCRIPTION | 150A | 175A | 200A | L150 | L200 | REMARKS OBSERVACION |
|----------|---------------------|--|------|------|------|------|------|---------------------|
| 28 | 92903-05600 | .WASHER, PLATE .ARANDELA | 3 | 3 | 3 | 3 | 3 | |
| 29 | 6E5-24413-00 | .BODY 2 .CUERPO 2 | 1 | 1 | 1 | 1 | 1 | |
| 30 | 6E5-24471-00 | .DIAPHRAGM .DIAFRAGMA | 1 | 1 | 1 | 1 | 1 | |
| 31 | 6E5-24435-00 | .GASKET, BODY 2 .EMPAQUE | 1 | 1 | 1 | 1 | 1 | |
| 32 | 6E5-24411-00 | .DIAPHRAGM .DIAFRAGMA | 1 | 1 | 1 | 1 | 1 | |
| 33 | 648-24424-00 | .SEAT, SPRING .PLACA DE RESORTE | 1 | 1 | 1 | 1 | 1 | |
| 34 | 6E5-24423-00 | .SPRING, DIAPHRAGM .RESORTE DE DIAFRAGMA | 1 | 1 | 1 | 1 | 1 | |
| 35 | 6E5-24434-02 | .GASKET, BODY .EMPAQUE | 1 | 1 | 1 | 1 | 1 | |
| 36 | 6A0-24421-01 | .VALVE, CHECK .VALVULA DE RETENCION | 4 | 4 | 4 | 4 | 4 | |
| 37 | 6A0-14325-00 | .SCREW, PAN HEAD .TORNILLO CABEZA REDONDA | 4 | 4 | 4 | 4 | 4 | |
| 38 | 95380-03600 | .NUT .TUERCA | 4 | 4 | 4 | 4 | 4 | |
| 39 | 6E5-24412-10 | .BODY 1 .CUERPO 1 | 1 | 1 | 1 | 1 | 1 | |
| 40 | 650-24431-A0 | GASKET, FUEL PUMP 1 EMPAQUE BOMBA COMBUST 1 | 2 | 2 | 2 | 2 | 2 | |
| 41 | 97095-06050 | BOLT PERNO | 4 | 4 | 4 | 4 | 4 | |
| 42 | 92995-06600 | WASHER ARANDELA | 4 | 4 | 4 | 4 | 4 | |
| 43 | 6G5-24316-10 | PIPE 6 TUBO 6 | 2 | 2 | 2 | 2 | 2 | |
| 44 | 90465-11M10 | CLAMP BRIDA | 2 | 2 | 2 | 2 | 2 | |
| 45 | 90465-11M10 | CLAMP BRIDA | 2 | 2 | 2 | 2 | 2 | |
| 46 | 6G5-24376-00 | PIPE, JOINT 1 TUBO DE UNION 1 | 1 | 1 | 1 | 1 | 1 | |
| 47 | 6G5-24377-00 | PIPE, JOINT 3 TUBO DE UNION 3 | 1 | 1 | 1 | 1 | 1 | |
| 48 | 6G5-24317-01 | PIPE 7 TUBO 7 | 1 | 1 | 1 | 1 | 1 | |
| 49 | 6G5-24318-10 | PIPE, OVERFLOW TUBO DE REBOSAMIENTO | 2 | 2 | 2 | 2 | 2 | |
| 50 | 6G5-24319-10 | PIPE, OIL TUBO DE ACEITE | 1 | 1 | 1 | 1 | 1 | |
| 51 | 90465-11M10 | CLAMP BRIDA | 5 | 5 | 5 | 5 | 5 | |
| 52 | 90465-11M10 | CLAMP BRIDA | 3 | 3 | 3 | 3 | 3 | |
| 53 | 90446-15M07 | HOSE TUBO RESEIRADERO | 2 | 2 | 2 | 2 | 2 | |
| 54 | 656-W2810-02 | TOOL KIT JUEGO DE HERRAMIENTAS | 1 | 1 | 1 | 1 | 1 | |

FIG. 8 FUEL 2

COMBUSTIBLE 2



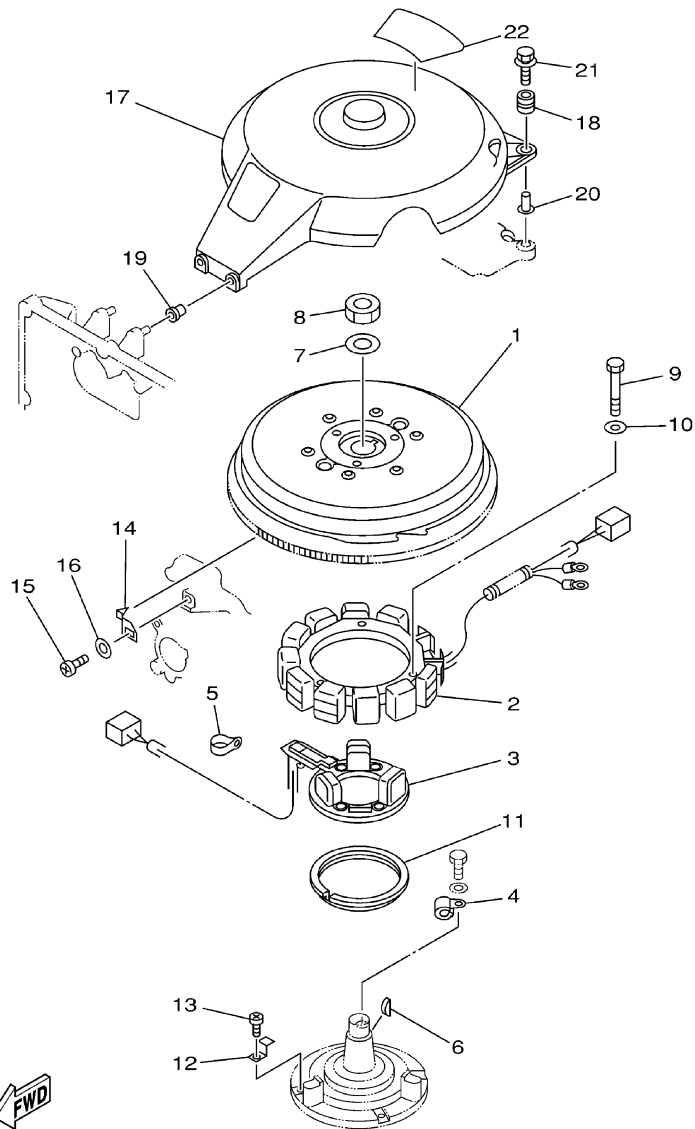
| REF. NO. | PART NO. CODIGO NO. | DESCRIPTION DESCRIPTION | 150A | 175A | 200A | L150 | L200 | REMARKS OBSERVACION |
|----------|---------------------|--|------|------|------|------|------|---------------------|
| 1 | 6Y2-24306-A2 | FUEL PIPE COMP. 1 TUBO COMBUST. COMPL 1 | 1 | 1 | 1 | 1 | 1 | AP |
| 2 | 90445-13M01 | .HOSE (L:2050) .MANGUERA (L:2050) | 1 | 1 | 1 | 1 | 1 | |
| 3 | 6E5-24351-01 | .BAND 1 .ABRAZADERA 1 | 3 | 3 | 3 | 3 | 3 | |
| 4 | 90445-13M00 | .HOSE (L:850) .MANGUERA (L:850) | 1 | 1 | 1 | 1 | 1 | |
| 5 | 61J-24360-10 | .PRIMER PUMP ASSY .SOPORTE_BOMBA | 1 | 1 | 1 | 1 | 1 | |
| 6 | 6E5-24305-04 | .FUEL PIPE JOINT COMP. 2 .CONECTOR MANGUERA COMBUST.2 | 1 | 1 | 1 | 1 | 1 | |
| 7 | 93210-08287 | ..O-RING ..ANILLO O | 1 | 1 | 1 | 1 | 1 | |
| 8 | 90480-06M19 | .GROMMET .TAPON | 1 | 1 | 1 | 1 | 1 | |
| | | | | | | | | |
| | | | | | | | | |
| | | | | | | | | |
| | | | | | | | | |
| | | | | | | | | |



6G50200-0080

FIG. 9 GENERATOR

GENERADOR



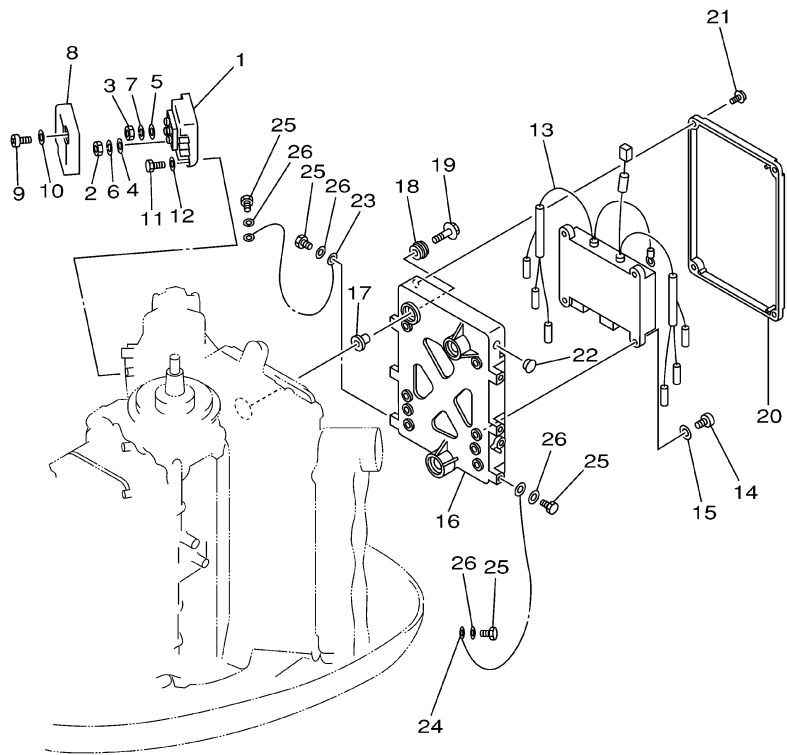
| REF. NO. | PART NO. CODIGO NO. | DESCRIPTION DESCRIPTION | 150A | 175A | 200A | L150 | L200 | REMARKS OBSERVACION |
|----------|---------------------|--|------|------|------|------|------|---------------------|
| 1 | 6G6-85550-02 | ROTOR ASSY ROTOR COMPLETO | 1 | 1 | 1 | 1 | 1 | |
| 2 | 6G6-85510-01 | STATOR ASSY ESTATOR COMPLET | 1 | 1 | 1 | 1 | 1 | |
| 3 | 6G6-85580-00 | COIL, PULSER BOBINA DE PULSACION | 1 | 1 | 1 | 1 | 1 | |
| 4 | 90465-06M86 | CLAMP BRIDA | 1 | 1 | 1 | 1 | 1 | |
| 5 | 90464-12M00 | CLAMP BRIDA | 1 | 1 | 1 | 1 | 1 | |
| 6 | 90280-05015 | KEY, WOODRUFF CUNA WOODRUFF | 1 | 1 | 1 | 1 | 1 | |
| 7 | 90201-21M18 | WASHER, PLATE ARANDELA PLANA | 1 | 1 | 1 | 1 | 1 | |
| 8 | 90170-20137 | NUT TUERCA | 1 | 1 | 1 | 1 | 1 | |
| 9 | 97013-06060 | BOLT PERNO | 3 | 3 | 3 | 3 | 3 | |
| 10 | 92903-06600 | WASHER, PLATE ARANDELA | 3 | 3 | 3 | 3 | 3 | |
| 11 | 688-41611-00 | RETAINER, MAGNETO BASE RETENEDOR BASE MAGNETO | 1 | 1 | 1 | 1 | 1 | |
| 12 | 688-41612-00 | RETAINER, MAGNETO BASE RETENEDOR BASE MAGNETO | 4 | 4 | 4 | 4 | 4 | |
| 13 | 97880-06018 | SCREW, PAN HEAD TORNILLO DE CABEZA CON PLANA | 4 | 4 | 4 | 4 | 4 | |
| 14 | 6E5-81332-00 | PLATE, TIMING PLACA REGULADOR DE TIEMPO | 1 | 1 | 1 | 1 | 1 | |
| 15 | 97885-06010 | SCREW, PAN HEAD TORNILLO DE CABEZA CON PLANA | 1 | 1 | 1 | 1 | 1 | |
| 16 | 92995-06600 | WASHER ARANDELA | 1 | 1 | 1 | 1 | 1 | |
| 17 | 6G5-81337-00 | COVER, FLYWHEEL CUBIERTA DE VOLANTE | 1 | 1 | 1 | 1 | 1 | |
| 18 | 6G5-82317-00 | DAMPER, IGNITION COIL AMORTIGUADOR BOBINA ENCENDIDO | 2 | 2 | 2 | 2 | 2 | |
| 19 | 6A0-82317-00 | DAMPER, IGNITION COIL AMORTIGUADOR BOBINA ENCENDIDO | 2 | 2 | 2 | 2 | 2 | |
| 20 | 624-42542-00 | PIPE TUBO | 2 | 2 | 2 | 2 | 2 | |
| 21 | 90119-06M65 | BOLT, WITH WASHER TORNILLO CON ARANDELA | 2 | 2 | 2 | 2 | 2 | |
| 22 | 6G5-14488-02 | LABEL, CAUTION ETIQUETA PRECAUCION | 1 | 1 | 1 | 1 | 1 | |



6G51200-2090

FIG. 10 ELECTRICAL 1

EQUIPO ELECTRICO 1



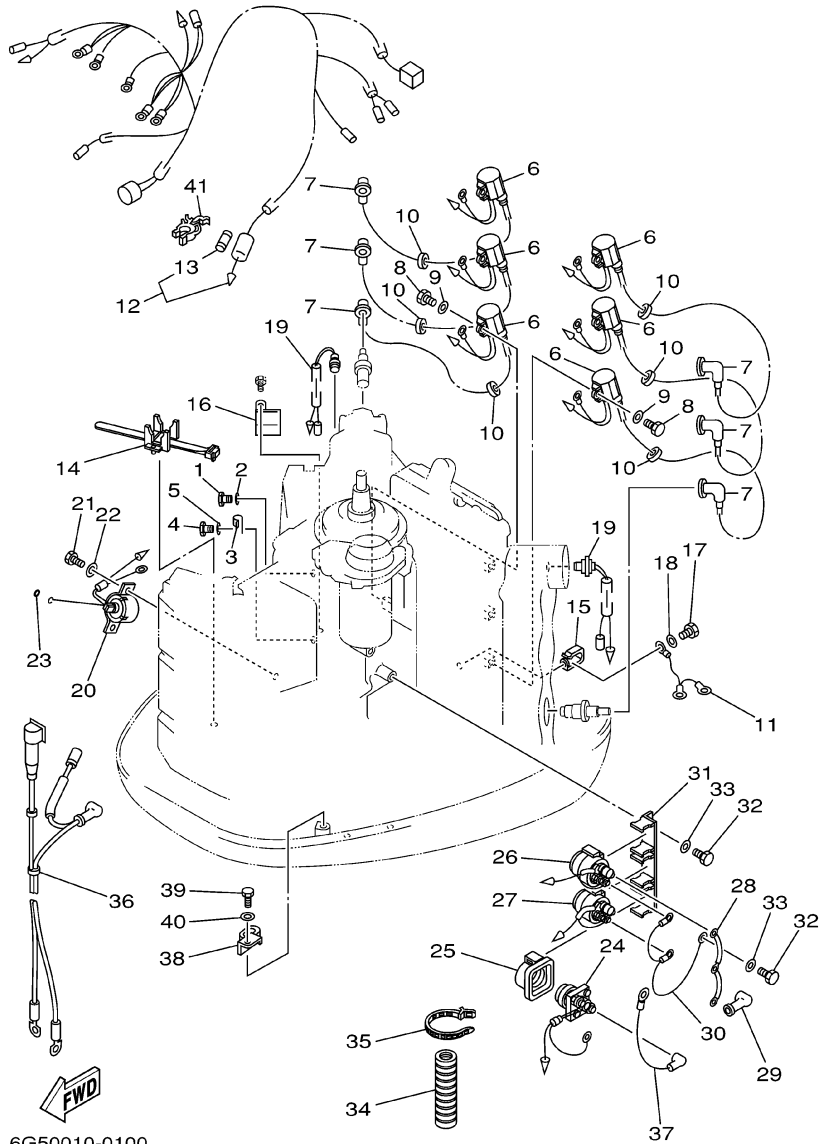
| REF. NO. | PART NO. CODIGO NO. | DESCRIPTION DESCRIPTION | 150A | 175A | 200A | L150 | L200 | REMARKS OBSERVACION |
|----------|---------------------|--|------|------|------|------|------|---------------------|
| 1 | 6G5-81960-A0 | RECTIFIER & REGULATOR ASSY RECTIFICADOR Y REGULADOR | 1 | 1 | 1 | 1 | 1 | |
| 2 | 95380-05600 | NUT TUERCA | 3 | 3 | 3 | 3 | 3 | |
| 3 | 95380-06600 | NUT, HEXAGON TUERCA | 1 | 1 | 1 | 1 | 1 | |
| 4 | 92990-05200 | WASHER, PLAIN ARANDELA | 3 | 3 | 3 | 3 | 3 | |
| 5 | 92990-06200 | WASHER, PLAIN ARANDELA | 1 | 1 | 1 | 1 | 1 | |
| 6 | 92903-05100 | WASHER, SPRING ARANDELA | 3 | 3 | 3 | 3 | 3 | |
| 7 | 92903-06100 | WASHER, SPRING ARANDELA | 1 | 1 | 1 | 1 | 1 | |
| 8 | 688-81961-01 | COVER CUBIERTA | 1 | 1 | 1 | 1 | 1 | |
| 9 | 97885-05025 | SCREW, PAN HEAD TORNILLO DE CABEZA CON PLANA | 2 | 2 | 2 | 2 | 2 | |
| 10 | 92995-05600 | WASHER ARANDELA | 2 | 2 | 2 | 2 | 2 | |
| 11 | 97013-06020 | BOLT PERNO | 2 | 2 | 2 | 2 | 2 | |
| 12 | 92903-06600 | WASHER, PLATE ARANDELA | 2 | 2 | 2 | 2 | 2 | |
| 13 | 6G6-85540-00 | C.D.I. UNIT ASSY UNIDAD C.D.I. COMPLETA | 1 | 1 | 1 | 1 | 1 | |
| 14 | 97880-06020 | SCREW, PAN HEAD TORNILLO DE CABEZA CON PLANA | 4 | 4 | 4 | 4 | 4 | |
| 15 | 92990-06600 | WASHER, PLATE ARANDELA | 4 | 4 | 4 | 4 | 4 | |
| 16 | 6R3-85542-03-1S | BRACKET SOPORTE | 1 | 1 | 1 | 1 | 1 | |
| 17 | 90387-06M03 | COLLAR COLLAR | 3 | 3 | 3 | 3 | 3 | |
| 18 | 90480-09M12 | GROMMET TAPON | 3 | 3 | 3 | 3 | 3 | |
| 19 | 90119-06M61 | BOLT, WITH WASHER TORNILLO CON ARANDELA | 3 | 3 | 3 | 3 | 3 | |
| 20 | 6R3-85537-00 | COVER CUBIERTA | 1 | 1 | 1 | 1 | 1 | |
| 21 | 90159-06M11 | SCREW, WITH WASHER TORNILLO CON VALONA | 4 | 4 | 4 | 4 | 4 | |
| 22 | 90480-12M25 | GROMMET TAPON | 1 | 1 | 1 | 1 | 1 | |
| 23 | 662-82519-00 | WIRE, EARTH LEAD CABLE CONDUCTOR A TIERRA | 1 | 1 | 1 | 1 | 1 | |
| 24 | 6R3-82519-00 | WIRE, EARTH LEAD CABLE CONDUCTOR A TIERRA | 1 | 1 | 1 | 1 | 1 | |
| 25 | 97095-06012 | BOLT PERNO | 4 | 4 | 4 | 4 | 4 | |
| 26 | 92995-06600 | WASHER ARANDELA | 4 | 4 | 4 | 4 | 4 | |



6G50010-0090

FIG. 11 ELECTRICAL 2

EQUIPO ELECTRICO 2

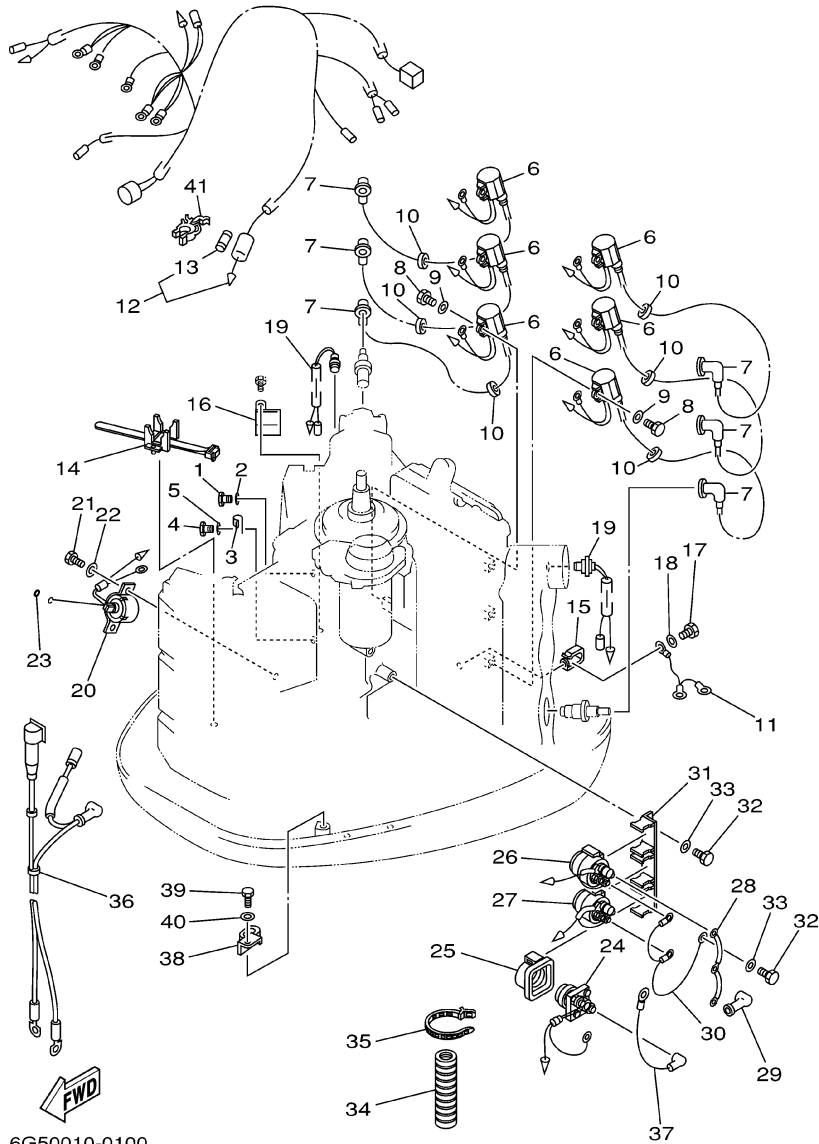


6G50010-0100

| REF. NO. | PART NO. CODIGO NO. | DESCRIPTION DESCRIPTION | 150A | 175A | 200A | L150 | L200 | REMARKS OBSERVACION |
|----------|---------------------|--|------|------|------|------|------|---------------------|
| 1 | 97095-06012 | BOLT PERNO | 1 | 1 | 1 | 1 | 1 | |
| 2 | 92995-06600 | WASHER ARANDELA | 1 | 1 | 1 | 1 | 1 | |
| 3 | 90465-06M86 | CLAMP BRIDA | 1 | 1 | 1 | 1 | 1 | |
| 4 | 97095-06012 | BOLT PERNO | 1 | 1 | 1 | 1 | 1 | |
| 5 | 92995-06600 | WASHER ARANDELA | 1 | 1 | 1 | 1 | 1 | |
| 6 | 6R3-85570-01 | IGNITION COIL ASSY BOBINA DE IGNICION COMPLETO | 6 | 6 | 6 | 6 | 6 | |
| 7 | 663-82370-01 | PLUG CAP ASSY TAPON DE BUJIA COMPLT | 6 | 6 | 6 | 6 | 6 | |
| | 6E3-82370-21 | PLUG CAP ASSY TAPON DE BUJIA COMPLT | 6 | | 6 | 6 | 6 | FOR CARIB |
| 8 | 97095-06020 | BOLT PERNO | 6 | 6 | 6 | 6 | 6 | |
| 9 | 92995-06600 | WASHER ARANDELA | 6 | 6 | 6 | 6 | 6 | |
| 10 | 90480-25161 | GROMMET TAPON | 6 | 6 | 6 | 6 | 6 | |
| 11 | 6E5-82531-10 | WIRE, LEAD CABLE CONDUCTOR | 1 | 1 | 1 | 1 | 1 | |
| 12 | 6G6-82590-00 | WIRE HARNESS ASSY CONJUNTO DE CABLES | 1 | 1 | 1 | 1 | 1 | |
| 13 | 682-82151-00 | FUSE (20A) FUSIBLE (20A) | 1 | 1 | 1 | 1 | 1 | |
| 14 | 688-82594-00 | CLAMP GRAMPA | 1 | 1 | 1 | 1 | 1 | |
| 15 | 90465-05M87 | CLAMP BRIDA | 1 | 1 | 1 | 1 | 1 | |
| 16 | 90465-08M89 | CLAMP BRIDA | 1 | 1 | 1 | 1 | 1 | |
| 17 | 97095-06012 | BOLT PERNO | 1 | 1 | 1 | 1 | 1 | |
| 18 | 92995-06600 | WASHER ARANDELA | 1 | 1 | 1 | 1 | 1 | |
| 19 | 688-82560-10 | THERMO SWITCH ASSY INTER. DE TERMO | 2 | 2 | 2 | 2 | 2 | |
| 20 | 64D-86110-00 | SOLENOID SOLENOIDE | 1 | 1 | 1 | 1 | 1 | |
| 21 | 97095-06016 | BOLT PERNO | 2 | 2 | 2 | 2 | 2 | |
| 22 | 92995-06600 | WASHER ARANDELA | 2 | 2 | 2 | 2 | 2 | |
| 23 | 93210-03261 | O-RING ANILLO O | 1 | 1 | 1 | 1 | 1 | |
| 24 | 61A-81941-00 | STARTER RELAY ASSY RELE DE ARRANQUE | 1 | 1 | 1 | 1 | 1 | |
| 25 | 689-81952-10 | HOLDER, RELAY SOSTEN DE RELE | 1 | 1 | 1 | 1 | 1 | |
| 26 | 6E5-81950-00 | RELAY ASSY RELE COMPLETO | 1 | 1 | 1 | 1 | 1 | |

FIG. 11 ELECTRICAL 2

EQUIPO ELECTRICO 2

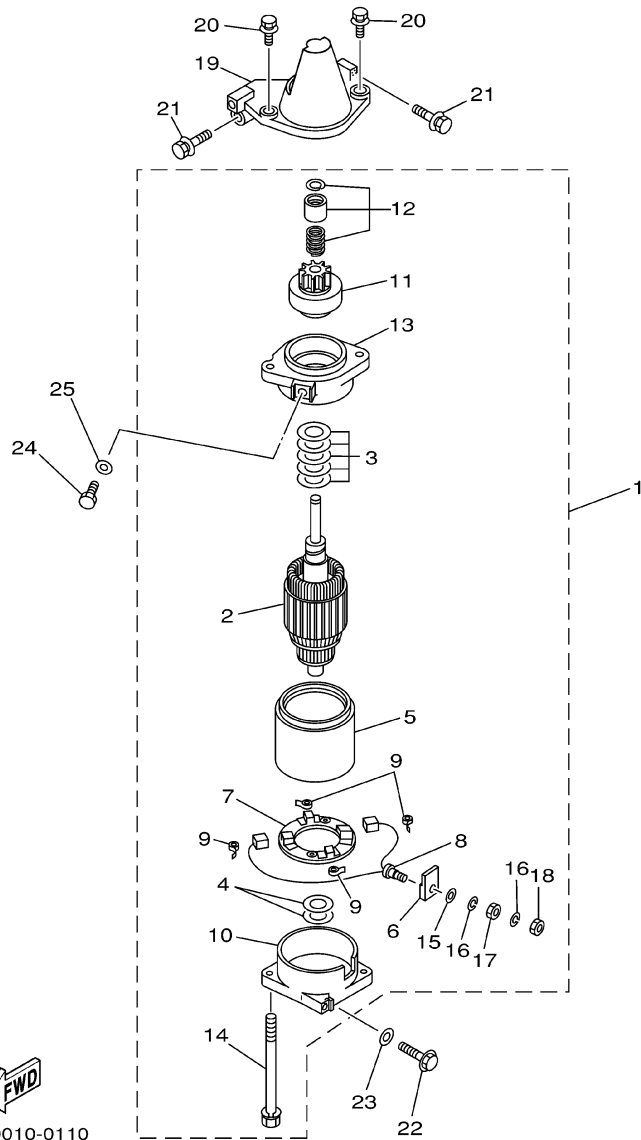


6G50010-0100

| REF. NO. | PART NO. CODIGO NO. | DESCRIPTION DESCRIPTION | 150A | 175A | 200A | L150 | L200 | REMARKS OBSERVACION |
|----------|---------------------|---|------|------|------|------|------|---------------------|
| 27 | 6E5-8195A-00 | RELAY ASSY RELE COMPLETO | 1 | 1 | 1 | 1 | 1 | |
| 28 | 6G5-87149-10 | CONNECTOR CONECTOR | 1 | 1 | 1 | 1 | 1 | |
| 29 | 6G5-82119-00 | COVER, LEAD WIRE CUBIERTA DE CABLE CONDUCTOR | 2 | 2 | 2 | 2 | 2 | |
| 30 | 6E5-82116-00 | WIRE, MINUS LEAD CABLE CONDUCTOR NEGATIVO | 1 | 1 | 1 | 1 | 1 | |
| 31 | 6G5-81948-11 | BRACKET SOPORTE | 1 | 1 | 1 | 1 | 1 | |
| 32 | 97095-06016 | BOLT PERNO | 2 | 2 | 2 | 2 | 2 | |
| 33 | 92995-06600 | WASHER ARANDELA | 2 | 2 | 2 | 2 | 2 | |
| 34 | 6E9-83557-70 | TUBE ENCHUFE DE ACEITE | 1 | 1 | 1 | 1 | 1 | |
| 35 | 90465-13M18 | CLAMP BRIDA | 1 | 1 | 1 | 1 | 1 | |
| 36 | 6G5-82105-02 | WIRE HARNESS ARNES DE CABLES | 1 | 1 | 1 | 1 | 1 | |
| 37 | 6E5-82117-01 | WIRE, LEAD CABLE CONDUCTOR | 1 | 1 | 1 | 1 | 1 | |
| 38 | 90465-12M25 | CLAMP BRIDA | 1 | 1 | 1 | 1 | 1 | |
| 39 | 97095-06012 | BOLT PERNO | 1 | 1 | 1 | 1 | 1 | |
| 40 | 92995-06600 | WASHER ARANDELA | 1 | 1 | 1 | 1 | 1 | |
| 41 | 6G5-82152-00 | HOLDER, FUSE PORTA-FUSIBLES | 1 | 1 | 1 | 1 | 1 | |

FIG. 12 STARTING MOTOR

MOTOR DE ARRANQUE

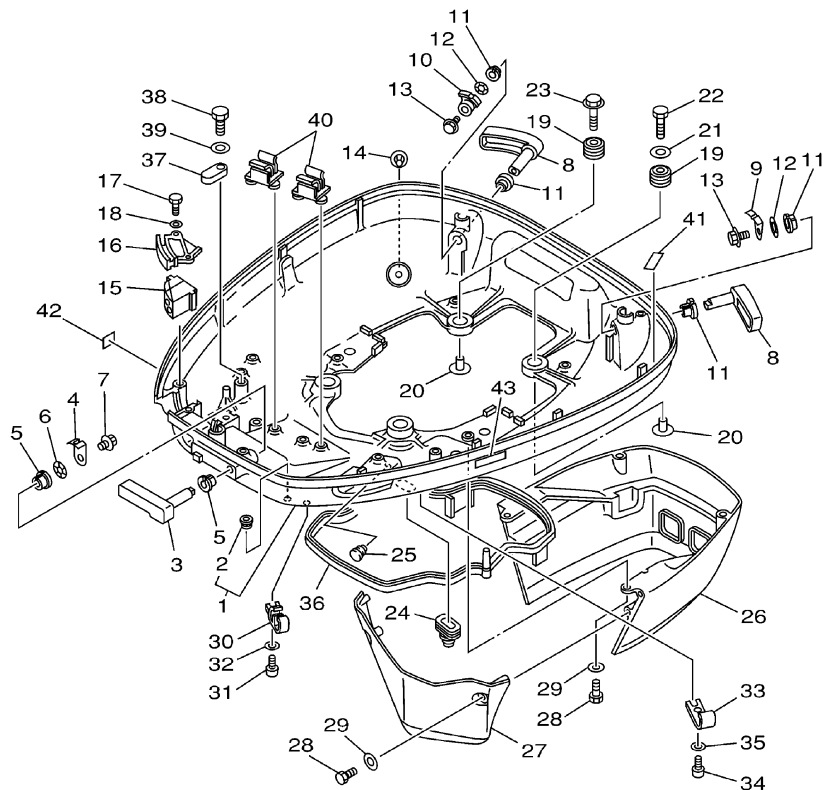


6E50010-0110

| REF. NO. | PART NO. CODIGO NO. | DESCRIPTION DESCRIPTION | 150A | 175A | 200A | L150 | L200 | REMARKS OBSERVACION |
|----------|---------------------|---|------|------|------|------|------|---------------------|
| 1 | 6N7-81800-10 | STARTING MOTOR ASSY MOTOR DE ARRANQUE COMPLETO | 1 | 1 | 1 | 1 | 1 | |
| 2 | 6N7-81850-10 | .ARMATURE ASSY .INDUCIDO COMPLETO | 1 | 1 | 1 | 1 | 1 | |
| 3 | 61A-81809-00 | .WASHER KIT .JUEGO DE ARANDELA | 1 | 1 | 1 | 1 | 1 | |
| 4 | 61A-81824-00 | .WASHER 2 .ARANDELA 2 | 2 | 2 | 2 | 2 | 2 | |
| 5 | 6N7-81810-00 | .STATOR ASSY .ESTATOR COMPLETO | 1 | 1 | 1 | 1 | 1 | |
| 6 | 6K7-8182G-10 | .BUSH, TERMINAL .BUJE DE TERMINAL | 1 | 1 | 1 | 1 | 1 | |
| 7 | 6N7-81840-00 | .BRUSH HOLDER ASSY .SOSTEN DE ESCOBILLA COMPLETO | 1 | 1 | 1 | 1 | 1 | |
| 8 | 6N7-81801-00 | .BRUSH SET .JUEGO DE ESCOBILLA | 1 | 1 | 1 | 1 | 1 | |
| 9 | 6N7-81813-00 | .SPRING, BRUSH .RESORTE DE ESCOBILLA | 4 | 4 | 4 | 4 | 4 | |
| 10 | 6N7-81820-10 | .REAR BRACKET ASSY .CUBIERTA TRASERA COMPL | 1 | 1 | 1 | 1 | 1 | |
| 11 | 6N7-81807-00 | .GEAR ASSY, STARTING MOTOR .PINON CONJUNTO | 1 | 1 | 1 | 1 | 1 | |
| 12 | 6N7-81857-00 | .RETAINER .SEGURO | 1 | 1 | 1 | 1 | 1 | |
| 13 | 6N7-81830-00 | .FRONT BRACKET ASSY .SOPORTE DELANTERO COMPLETO | 1 | 1 | 1 | 1 | 1 | |
| 14 | 6K7-81826-10 | .BOLT .PERNO | 2 | 2 | 2 | 2 | 2 | |
| 15 | 6E5-8182E-10 | .WASHER .RONDANA | 1 | 1 | 1 | 1 | 1 | |
| 16 | 6E5-8182F-10 | .WASHER .RONDANA | 2 | 2 | 2 | 2 | 2 | |
| 17 | 6E5-8182A-10 | .NUT .TUERCA | 1 | 1 | 1 | 1 | 1 | |
| 18 | 6E5-8182K-10 | .NUT .TUERCA | 1 | 1 | 1 | 1 | 1 | |
| 19 | 6E5-81822-02-98 | BRACKET, STARTING MOTOR SOPORTE DE MOTOR DE ARRANQUE | 1 | 1 | 1 | 1 | 1 | |
| 20 | 90119-08M76 | BOLT, WITH WASHER TORNILLO CON ARANDELA | 2 | 2 | 2 | 2 | 2 | |
| 21 | 90119-08M77 | BOLT, WITH WASHER TORNILLO CON ARANDELA | 2 | 2 | 2 | 2 | 2 | |
| 22 | 90119-08M57 | BOLT, WITH WASHER TORNILLO CON ARANDELA | 1 | 1 | 1 | 1 | 1 | |
| 23 | 92990-08600 | WASHER, PLATE ARANDELA | 1 | 1 | 1 | 1 | 1 | |
| 24 | 97095-08016 | BOLT PERNO | 1 | 1 | 1 | 1 | 1 | |
| 25 | 92995-08600 | WASHER ARANDELA | 1 | 1 | 1 | 1 | 1 | |

FIG. 13 BOTTOM COWLING

CUBIERTA INFERIOR

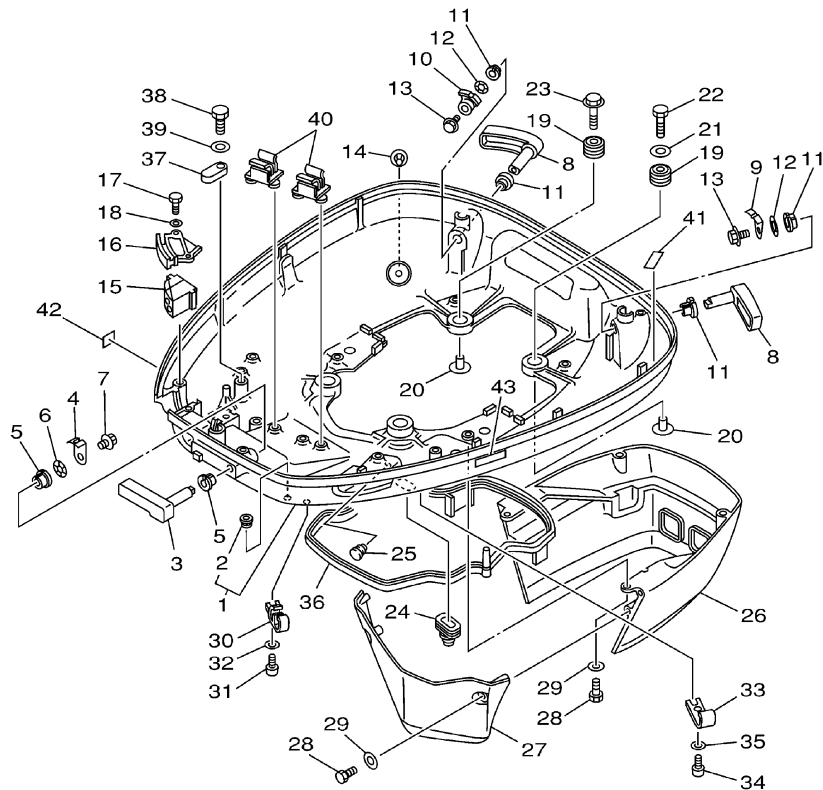


FWD
6G51200-2130

| REF. NO. | PART NO. CODIGO NO. | DESCRIPTION DESCRIPTION | 150A | 175A | 200A | L150 | L200 | REMARKS OBSERVACION |
|----------|---------------------|---|------|------|------|------|------|---------------------|
| 1 | 6E5-W4271-05-4D | COWLING, BOTTOM CUBIERTA INFERIOR | 1 | 1 | 1 | 1 | 1 | |
| 2 | 6H4-42748-00 | .GROMMET .TAPON | 1 | 1 | 1 | 1 | 1 | |
| 3 | 688-42815-01-4D | LEVER, CLAMP PALANCA ABRAZADERA | 1 | 1 | 1 | 1 | 1 | |
| 4 | 688-42816-00 | LEVER, CLAMP PALANCA ABRAZADERA | 1 | 1 | 1 | 1 | 1 | |
| 5 | 90386-13M38 | BUSH BUJE | 2 | 2 | 2 | 2 | 2 | |
| 6 | 90206-13M10 | WASHER, WAVE ARANDELA ONDULADA | 1 | 1 | 1 | 1 | 1 | |
| 7 | 90119-06M09 | BOLT, WITH WASHER TORNILLO CON ARANDELA | 1 | 1 | 1 | 1 | 1 | |
| 8 | 6E5-42817-01-4D | LEVER, CLAMP PALANCA ABRAZADERA | 2 | 2 | 2 | 2 | 2 | |
| 9 | 6G5-42816-00 | LEVER, CLAMP PALANCA ABRAZADERA | 1 | 1 | 1 | 1 | 1 | |
| 10 | 6E5-42816-01 | LEVER, CLAMP PALANCA ABRAZADERA | 1 | 1 | 1 | 1 | 1 | |
| 11 | 90386-13M38 | BUSH BUJE | 4 | 4 | 4 | 4 | 4 | |
| 12 | 90206-13M10 | WASHER, WAVE ARANDELA ONDULADA | 2 | 2 | 2 | 2 | 2 | |
| 13 | 90119-06M09 | BOLT, WITH WASHER TORNILLO CON ARANDELA | 2 | 2 | 2 | 2 | 2 | |
| 14 | 6E5-44391-00 | NIPPLE, HOSE NIPLE MANGUERA | 1 | 1 | 1 | 1 | 1 | |
| 15 | 6E5-42725-00 | GROMMET TAPON | 1 | 1 | 1 | 1 | 1 | |
| 16 | 6E5-42738-01-5B | PLATE, FITTING PLACA DE AJUSTE | 1 | 1 | 1 | 1 | 1 | |
| 17 | 97095-06016 | BOLT PERNO | 2 | 2 | 2 | 2 | 2 | |
| 18 | 92995-06600 | WASHER ARANDELA | 2 | 2 | 2 | 2 | 2 | |
| 19 | 90480-22M15 | GROMMET TAPON | 4 | 4 | 4 | 4 | 4 | |
| 20 | 90387-08M37 | COLLAR COLLAR | 4 | 4 | 4 | 4 | 4 | |
| 21 | 90201-08M54 | WASHER, PLATE ARANDELA PLANA | 1 | 1 | 1 | 1 | 1 | |
| 22 | 97075-08035 | BOLT PERNO | 1 | 1 | 1 | 1 | 1 | |
| 23 | 90119-08M22 | BOLT, WITH WASHER TORNILLO CON ARANDELA | 3 | 3 | 3 | 3 | 3 | |
| 24 | 688-42726-10 | GROMMET TAPON | 1 | 1 | 1 | 1 | 1 | |
| 25 | 90480-10M36 | GROMMET TAPON | 1 | 1 | 1 | 1 | 1 | |
| 26 | 6E5-42741-01-4D | APRON MANDIL | 1 | 1 | 1 | 1 | 1 | |
| 27 | 6E5-42771-01-4D | APRON MANDIL | 1 | 1 | 1 | 1 | 1 | |

FIG. 13 BOTTOM COWLING

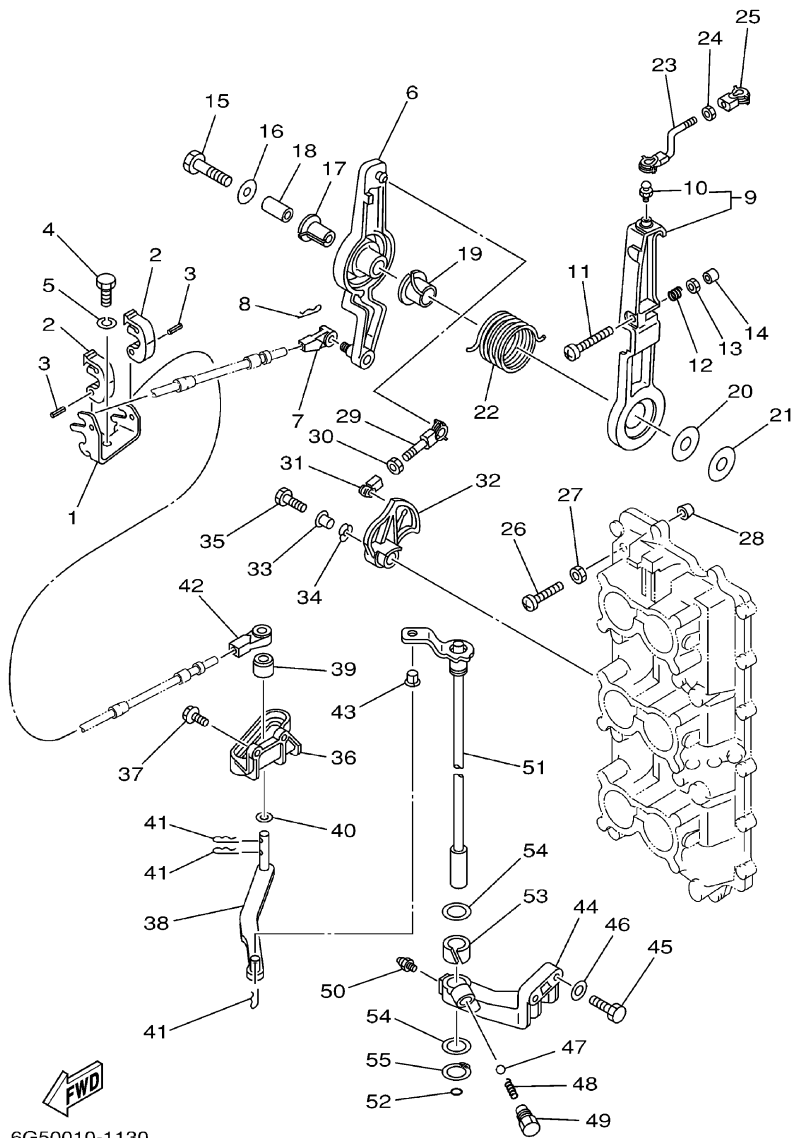
CUBIERTA INFERIOR



| REF. NO. | PART NO. CODIGO NO. | DESCRIPTION DESCRIPTION | 150A | 175A | 200A | L150 | L200 | REMARKS OBSERVACION |
|----------|---------------------|--|------|------|------|------|------|---------------------|
| 28 | 97095-06020 | BOLT PERNO | 6 | 6 | 6 | 6 | 6 | |
| 29 | 92995-06600 | WASHER ARANDELA | 6 | 6 | 6 | 6 | 6 | |
| 30 | 6E5-24367-01 | CLAMP, FUEL PIPE 2 GRAMPA DE TUBO DE COMBUST.2 | 2 | 2 | 2 | 2 | 2 | |
| 31 | 90157-06M01 | SCREW, PAN HEAD TORNILLO CABEZA CONICA PLANA | 2 | 2 | 2 | 2 | 2 | |
| 32 | 92990-06600 | WASHER, PLATE ARANDELA | 2 | 2 | 2 | 2 | 2 | |
| 33 | 6E5-24367-10 | CLAMP, FUEL PIPE 2 GRAMPA DE TUBO DE COMBUST.2 | 1 | 1 | 1 | 1 | 1 | |
| 34 | 90157-06M01 | SCREW, PAN HEAD TORNILLO CABEZA CONICA PLANA | 1 | 1 | 1 | 1 | 1 | |
| 35 | 92990-06600 | WASHER, PLATE ARANDELA | 1 | 1 | 1 | 1 | 1 | |
| 36 | 6E5-42716-00 | RUBBER, SEAL 1 SELLO DE GOMA 1 | 1 | 1 | 1 | 1 | 1 | |
| 37 | 6E5-82588-00 | PLATE PLACA | 1 | 1 | 1 | 1 | 1 | |
| 38 | 97095-06020 | BOLT PERNO | 1 | 1 | 1 | 1 | 1 | |
| 39 | 92995-06600 | WASHER ARANDELA | 1 | 1 | 1 | 1 | 1 | |
| 40 | 6E5-82594-00 | CLAMP GRAMPA | 2 | 2 | 2 | 2 | 2 | |
| 41 | 6G5-42791-00 | MARK 1 MARCA 1 | 1 | 1 | 1 | 1 | 1 | |
| | 6G5-42791-10 | MARK 1 MARCA 1 | 1 | | 1 | 1 | 1 | FOR CHINA,CARIB |
| 42 | 6A1-28176-00 | LABEL, CAUTION ETIQUETA DE PRECAUCION | 1 | | 1 | 1 | 1 | FOR CARIB |
| 43 | 6E3-8257H-00 | PLATE, MARK PLACA DE MARCA | 1 | | 1 | 1 | 1 | FOR CARIB |



6G51200-2130

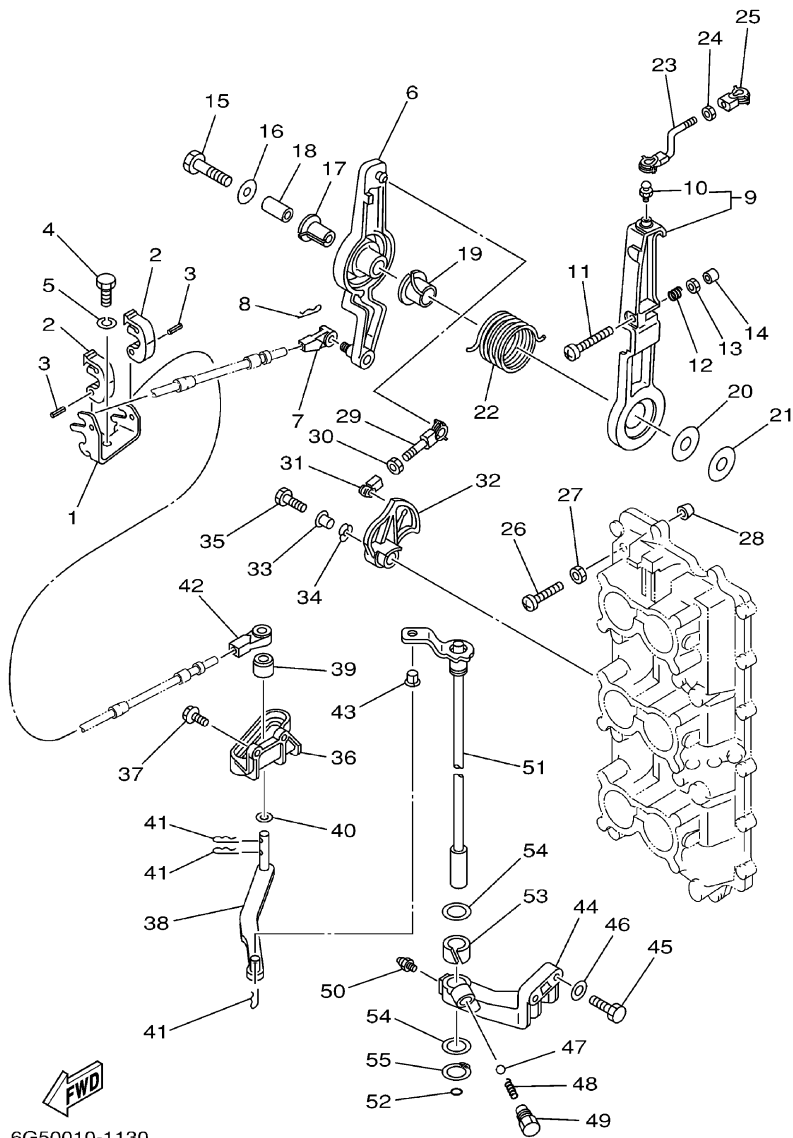


6G50010-1130

FIG. 14 CONTROL

CONTROL

| REF. NO. | PART NO. CODIGO NO. | DESCRIPTION DESCRIPTION | 150A | 175A | 200A | L150 | L200 | REMARKS OBSERVACION |
|----------|---------------------|---|------|------|------|------|------|---------------------|
| 1 | 6E5-48531-00 | BRACKET, REMOTE CONTROL 1 SOPORTE DE CONTROL REMOTO | 1 | 1 | 1 | 1 | 1 | |
| 2 | 6E5-48538-00 | CLAMP, CABLE 1 GRAMPA DE CABLE | 2 | 2 | 2 | 2 | 2 | |
| 3 | 91690-30012 | PIN, SPRING PASADOR DE RESORTE | 2 | 2 | 2 | 2 | 2 | |
| 4 | 97095-08020 | BOLT PERNO | 1 | 1 | 1 | 1 | 1 | |
| 5 | 92995-08100 | WASHER ARANDELA | 1 | 1 | 1 | 1 | 1 | |
| 6 | 61H-41632-02-1S | LEVER, MAGNETO CONTROL PALANCA DE CONTROL DE MAGNETO | 1 | 1 | 1 | 1 | 1 | |
| 7 | 6E5-48344-00 | CABLE END, REMOTE CONTROL BASE CONTROL | 1 | 1 | 1 | 1 | 1 | |
| 8 | 90468-18008 | CLIP PRESILLA | 1 | 1 | 1 | 1 | 1 | |
| 9 | 6G5-41631-01-1S | LEVER, MAGNETO CONTROL PALANCA DE CONTROL DE MAGNETO | 1 | 1 | 1 | 1 | 1 | |
| 10 | 663-85518-00 | JOINT, BALL CONECTOR | 1 | 1 | 1 | 1 | 1 | |
| 11 | 90157-06013 | SCREW, PAN HEAD TORNILLO CABEZA CONICA PLANA | 1 | 1 | 1 | 1 | 1 | |
| 12 | 90501-16M12 | SPRING, COMPRESSION RESORTE DE COMPRESION | 1 | 1 | 1 | 1 | 1 | |
| 13 | 95303-06600 | NUT TUERCA | 1 | 1 | 1 | 1 | 1 | |
| 14 | 688-44194-00 | CAP TAPA | 1 | 1 | 1 | 1 | 1 | |
| 15 | 97013-08045 | BOLT PERNO | 1 | 1 | 1 | 1 | 1 | |
| 16 | 90201-08M23 | WASHER, PLATE ARANDELA PLANA | 1 | 1 | 1 | 1 | 1 | |
| 17 | 90386-12089 | BUSH BUJE | 1 | 1 | 1 | 1 | 1 | |
| 18 | 90387-08M16 | COLLAR COLLAR | 1 | 1 | 1 | 1 | 1 | |
| 19 | 90386-22M13 | BUSH BUJE | 1 | 1 | 1 | 1 | 1 | |
| 20 | 90202-12092 | WASHER, PLATE ARANDELA DE PLANA | 1 | 1 | 1 | 1 | 1 | |
| 21 | 90201-08M13 | WASHER, PLATE ARANDELA PLANA | 1 | 1 | 1 | 1 | 1 | |
| 22 | 90508-29M12 | SPRING, TORSION RESORTE DE TORSION | 1 | 1 | 1 | 1 | 1 | |
| 23 | 6G5-41636-01 | ROD, MAGNETO CONTROL VARILLA DE CONTROL MAGNETO | 1 | 1 | 1 | 1 | 1 | |
| 24 | 95380-05600 | NUT TUERCA | 1 | 1 | 1 | 1 | 1 | |
| 25 | 662-41237-01 | JOINT, LINK CONECTOR | 1 | 1 | 1 | 1 | 1 | |
| 26 | 90157-06M00 | SCREW, PAN HEAD TORNILLO CABEZA CONICA PLANA | 1 | 1 | 1 | 1 | 1 | |
| 27 | 95303-06600 | NUT TUERCA | 1 | 1 | 1 | 1 | 1 | |

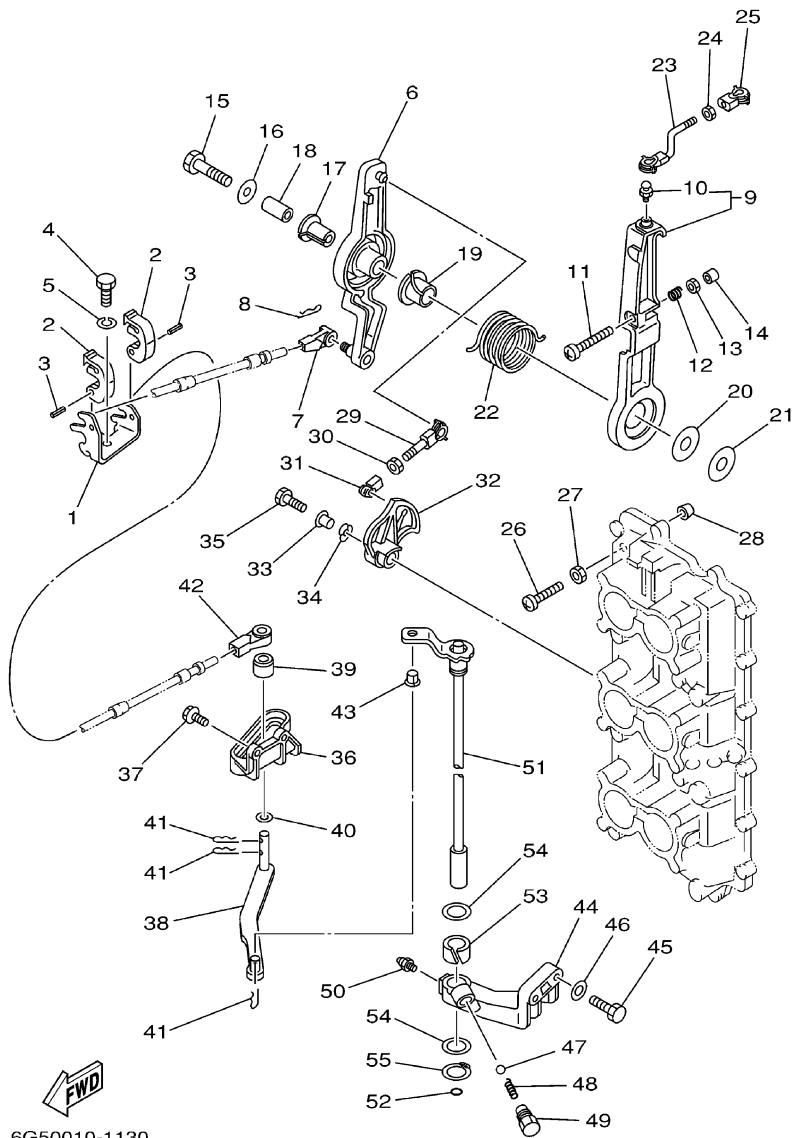


6G50010-1130

FIG. 14 CONTROL

CONTROL

| REF. NO. | PART NO. CODIGO NO. | DESCRIPTION DESCRIPTION | 150A | 175A | 200A | L150 | L200 | REMARKS OBSERVACION |
|----------|---------------------|---|------|------|------|------|------|---------------------|
| 28 | 688-44194-00 | CAP TAPA | 1 | 1 | 1 | 1 | 1 | |
| 29 | 6G5-41211-01 | LINK, ACCEL. ES LABON, ACELERADOR | 1 | 1 | 1 | 1 | 1 | |
| 30 | 95380-05600 | NUT TUERCA | 1 | 1 | 1 | 1 | 1 | |
| 31 | 662-41237-01 | JOINT, LINK CONECTOR | 1 | 1 | 1 | 1 | 1 | |
| 32 | 6G5-41213-00 | CAM, ACCEL. LEVA ACELERADOR | 1 | 1 | 1 | 1 | 1 | |
| 33 | 90387-06M29 | COLLAR COLLAR | 1 | 1 | 1 | 1 | 1 | |
| 34 | 90206-10M04 | WASHER, WAVE ARANDELA ONDULADA | 1 | 1 | 1 | 1 | 1 | |
| 35 | 97095-06025 | BOLT PERNO | 1 | 1 | 1 | 1 | 1 | |
| 36 | 6E5-44117-00-1S | BRACKET SOPORTE | 1 | 1 | 1 | 1 | 1 | |
| 37 | 90119-06MA2 | BOLT, WITH WASHER TORNILLO CON ARANDELA | 2 | 2 | 2 | 2 | 2 | |
| 38 | 68F-44121-00 | LEVER, SHIFT ROD PALANCA VARILLA CAMBIOS | 1 | 1 | 1 | 1 | 1 | |
| 39 | 6E5-44122-00 | BUSHING, SHIFT ROD LEVER BUJE PALANCA VARILLA DE CAMBIO | 1 | 1 | 1 | 1 | 1 | |
| 40 | 90202-08M20 | WASHER, PLATE ARANDELA DE PLANA | 1 | 1 | 1 | 1 | 1 | |
| 41 | 90468-18008 | CLIP PRESILLA | 3 | 3 | 3 | 3 | 3 | |
| 42 | 6E5-48344-00 | CABLE END, REMOTE CONTROL BASE CONTROL | 1 | 1 | 1 | 1 | 1 | |
| 43 | 90386-06M12 | BUSH BUJE | 1 | 1 | 1 | 1 | 1 | |
| 44 | 6E5-44118-01-94 | BRACKET SOPORTE | 1 | 1 | 1 | 1 | 1 | |
| 45 | 97013-08030 | BOLT PERNO | 2 | 2 | 2 | 2 | 2 | |
| 46 | 92903-08600 | WASHER, PLATE ARANDELA | 2 | 2 | 2 | 2 | 2 | |
| 47 | 93501-04M02 | BALL BOLA | 1 | 1 | 1 | 1 | 1 | |
| 48 | 90501-12082 | SPRING, COMPRESSION RESORTE DE COMPRESION | 1 | 1 | 1 | 1 | 1 | |
| 49 | 648-42715-00 | BUSHING BUJE | 1 | 1 | 1 | 1 | 1 | |
| 50 | 93700-06M03 | NIPPLE, GREASE NIPLE DE ENGRASAR | 1 | 1 | 1 | 1 | 1 | |
| 51 | 6E5-44120-03 | HANDLE GEAR SHIFT ASSY MANIJA DE CAMBIO COMPL | 1 | 1 | 1 | | | L |
| | 6E5-44120-23 | HANDLE GEAR SHIFT ASSY MANIJA DE CAMBIO COMPL | 1 | 1 | 1 | 1 | 1 | X |
| 52 | 93210-09165 | O-RING ANILLO O | 1 | 1 | 1 | 1 | 1 | |
| 53 | 90386-16M66 | BUSH BUJE | 1 | 1 | 1 | 1 | 1 | |



6G50010-1130

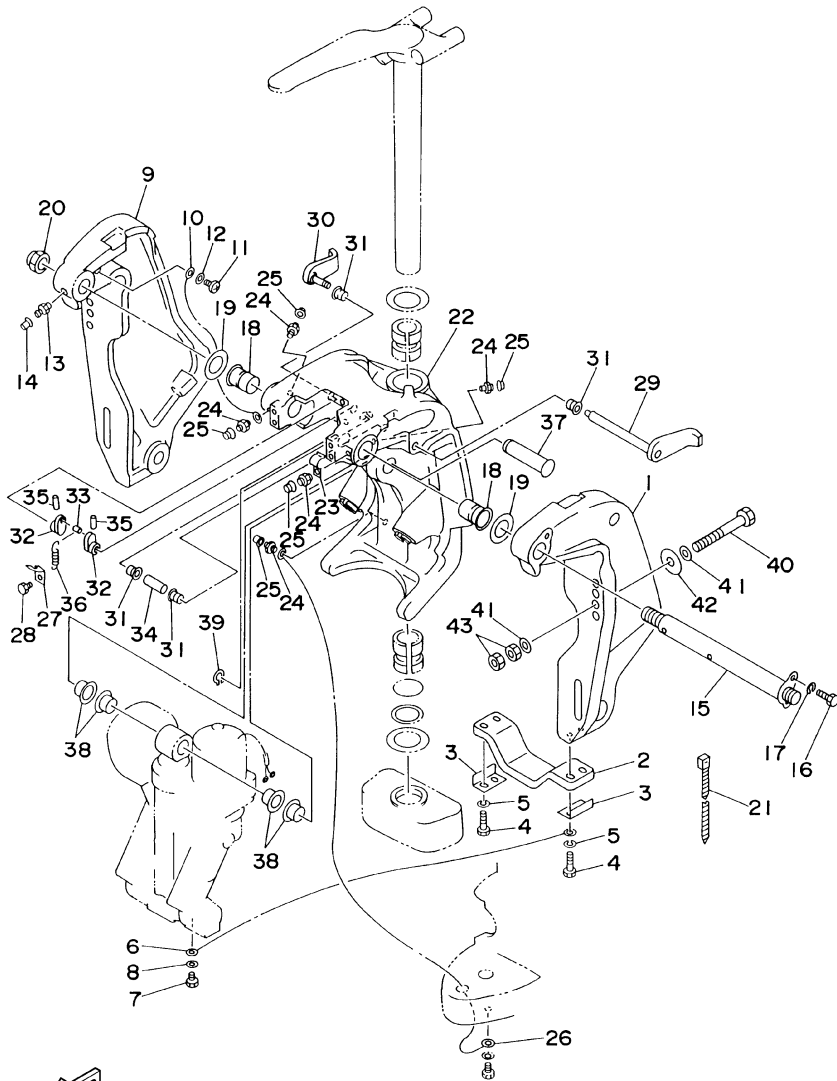
FIG. 14 CONTROL

CONTROL

| REF. NO. | PART NO. CODIGO NO. | DESCRIPTION DESCRIPTION | 150A | 175A | 200A | L150 | L200 | REMARKS OBSERVACION |
|----------|---------------------|------------------------------------|------|------|------|------|------|---------------------|
| 54 | 90202-16061 | WASHER, PLATE ARANDELA DE PLANA | 2 | 2 | 2 | 2 | 2 | |
| 55 | 93410-16006 | CIRCLIP BOLA | 1 | 1 | 1 | 1 | 1 | |
| ----- | | | | | | | | |
| ----- | | | | | | | | |
| ----- | | | | | | | | |
| ----- | | | | | | | | |
| ----- | | | | | | | | |
| ----- | | | | | | | | |
| ----- | | | | | | | | |
| ----- | | | | | | | | |
| ----- | | | | | | | | |
| ----- | | | | | | | | |

FIG. 15 BRACKET 1

SOPORTE 1



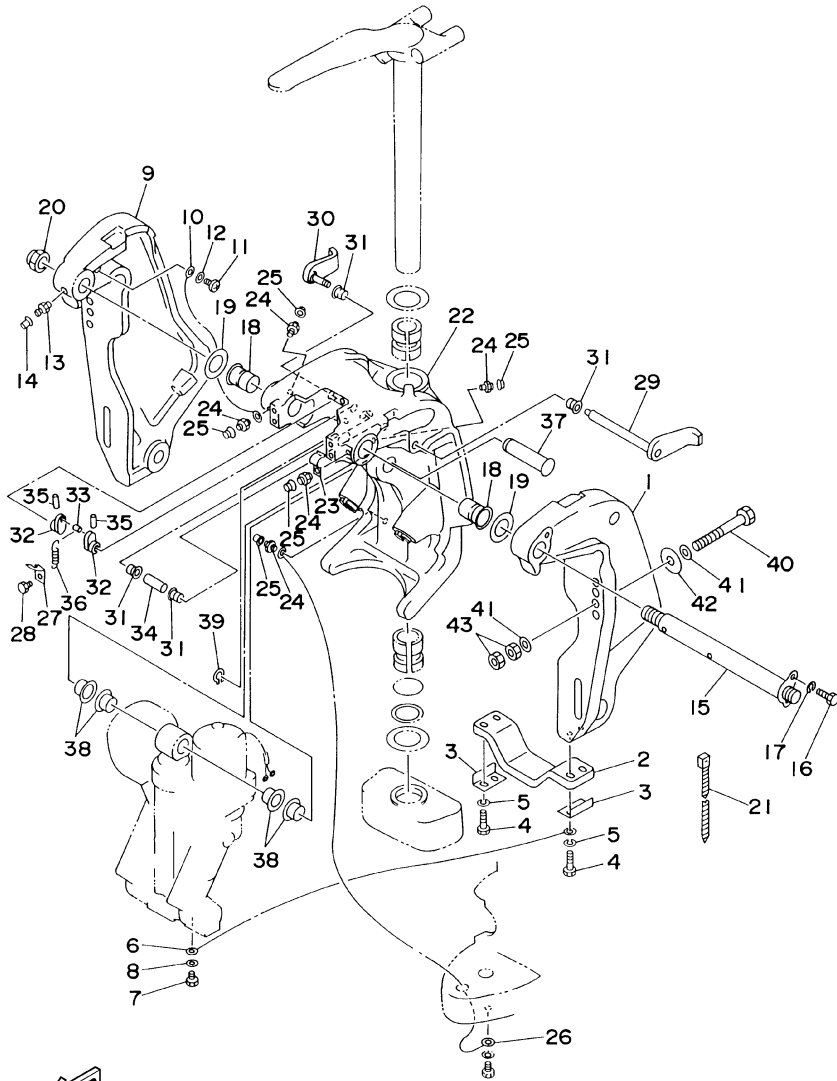
6N60010-7160

| REF. NO. | PART NO. CODIGO NO. | DESCRIPTION DESCRIPTION | 150A | 175A | 200A | L150 | L200 | REMARKS OBSERVACION |
|----------|---------------------|---|------|------|------|------|------|---------------------|
| 1 | 64E-43111-02-8D | BRACKET, CLAMP SOPORTE DE LA ABRAZADERA | 1 | 1 | 1 | 1 | 1 | |
| 2 | 6G5-45251-02 | ANODE CATODE | 1 | 1 | 1 | 1 | 1 | |
| 3 | 6G5-44526-00 | PLATE PLACA 1 | 2 | 2 | 2 | 2 | 2 | |
| 4 | 97095-06030 | BOLT PERNO | 4 | 4 | 4 | 4 | 4 | |
| 5 | 92995-06100 | WASHER, SPRING ARANDELA | 4 | 4 | 4 | 4 | 4 | |
| 6 | 6E5-82148-00 | WIRE, LEAD 4 CABLE CONDUCTOR 4 | 1 | 1 | 1 | 1 | 1 | |
| 7 | 97095-06010 | BOLT PERNO | 1 | 1 | 1 | 1 | 1 | |
| 8 | 92995-06600 | WASHER ARANDELA | 1 | 1 | 1 | 1 | 1 | |
| 9 | 64E-43112-02-8D | BRACKET, CLAMP SOPORTE DE LA ABRAZADERA | 1 | 1 | 1 | 1 | 1 | |
| 10 | 6E5-82148-00 | WIRE, LEAD 4 CABLE CONDUCTOR 4 | 1 | 1 | 1 | 1 | 1 | |
| 11 | 97880-06012 | SCREW, PAN HEAD TORNILLO DE CABEZA CON PLANA | 1 | 1 | 1 | 1 | 1 | |
| 12 | 92990-06600 | WASHER, PLATE ARANDELA | 1 | 1 | 1 | 1 | 1 | |
| 13 | 93700-06M03 | NIPPLE, GREASE NIPLE DE ENGRASAR | 1 | 1 | 1 | 1 | 1 | |
| 14 | 663-45119-00 | CAP, GREASE NIPPLE TAPA DE GRASERA | 1 | 1 | 1 | 1 | 1 | AP |
| 15 | 64E-43131-01 | BOLT, CLAMP BRACKET TORNILLO DE ABRAZADERA DEL SOP | 1 | 1 | 1 | 1 | 1 | |
| 16 | 97095-08020 | BOLT PERNO | 1 | 1 | 1 | 1 | 1 | |
| 17 | 92995-08100 | WASHER ARANDELA | 1 | 1 | 1 | 1 | 1 | |
| 18 | 90386-25M31 | BUSH BUJE | 2 | 2 | 2 | 2 | 2 | |
| 19 | 90201-26M59 | WASHER, PLATE ARANDELA PLANA | 2 | 2 | 2 | 2 | 2 | |
| 20 | 90185-22M11 | NUT, SELF-LOCKING TUERCA AUTOBLOCANTE | 1 | 1 | 1 | 1 | 1 | |
| 21 | 90465-11M10 | CLAMP BRIDA | 1 | 1 | 1 | 1 | 1 | |
| 22 | 64E-43311-10-8D | BRACKET, SWIVEL 1 SOPORTE GIRATORIO 1 | 1 | 1 | 1 | | | L |
| | 64E-43311-20-8D | BRACKET, SWIVEL 1 SOPORTE GIRATORIO 1 | 1 | 1 | 1 | 1 | 1 | X |
| 23 | 90465-08M63 | CLAMP BRIDA | 1 | 1 | 1 | 1 | 1 | |
| 24 | 93700-06M03 | NIPPLE, GREASE NIPLE DE ENGRASAR | 5 | 5 | 5 | 5 | 5 | |
| 25 | 663-45119-00 | CAP, GREASE NIPPLE TAPA DE GRASERA | 5 | 5 | 5 | 5 | 5 | AP |
| 26 | 6E5-82147-00 | WIRE, LEAD 4 CABLE CONDUCTOR 4 | 1 | 1 | 1 | | | L |

D7

FIG. 15 BRACKET 1

SOPORTE 1

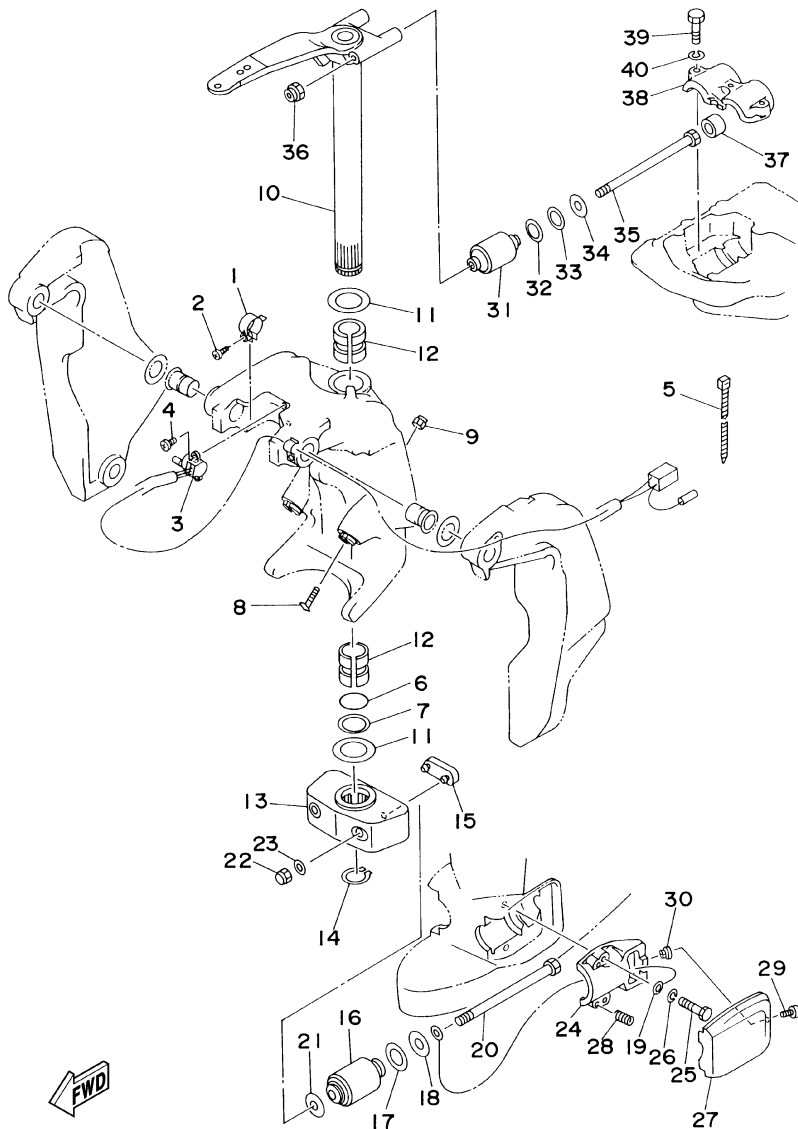


6N60010-7160

| REF. NO. | PART NO. CODIGO NO. | DESCRIPTION DESCRIPTION | 150A | 175A | 200A | L150 | L200 | REMARKS OBSERVACION |
|----------|---------------------|--|------|------|------|------|------|---------------------|
| 26 | 6E5-82147-20 | WIRE, LEAD 4 CABLE CONDUCTOR 4 | 1 | 1 | 1 | 1 | 1 | X |
| 27 | 6G5-43144-00 | HOOK, SPRING GANCHO | 1 | 1 | 1 | 1 | 1 | |
| 28 | 97095-06010 | BOLT PERNO | 1 | 1 | 1 | 1 | 1 | |
| 29 | 6G5-43181-02 | LEVER, TILT STOP PALANCA TOPE INCLINACION | 1 | 1 | 1 | 1 | 1 | |
| 30 | 6G5-43185-02 | LEVER, TILT STOP PALANCA TOPE INCLINACION | 1 | 1 | 1 | 1 | 1 | |
| 31 | 90386-10M16 | BUSH BUJE | 4 | 4 | 4 | 4 | 4 | |
| 32 | 6G5-43148-00 | COLLAR, DISTANCE COLLAR | 2 | 2 | 2 | 2 | 2 | |
| 33 | 90249-06M19 | PIN PASADOR | 1 | 1 | 1 | 1 | 1 | |
| 34 | 90387-10M05 | COLLAR COLLAR | 1 | 1 | 1 | 1 | 1 | |
| 35 | 91690-30020 | PIN, SPRING PASADOR DE RESORTE | 2 | 2 | 2 | 2 | 2 | |
| 36 | 90506-14M24 | SPRING, TENSION RESORTE DE TENSION | 1 | 1 | 1 | 1 | 1 | |
| 37 | 64E-43126-00 | PIN, UPPER SHOCK MOUNT PASADOR DE AMORTIGUADOR SUPERIOR | 1 | 1 | 1 | 1 | 1 | |
| 38 | 90386-22M98 | BUSH BUJE | 4 | 4 | 4 | 4 | 4 | |
| 39 | 93410-22M11 | CIRCLIP BOLA | 1 | 1 | 1 | 1 | 1 | |
| 40 | 90101-12M03 | BOLT (L:115MM) TORNILLO (L:115MM) | 4 | 4 | 4 | 4 | 4 | |
| 41 | 90201-13M01 | WASHER, PLATE ARANDELA PLANA | 8 | 8 | 8 | 8 | 8 | |
| 42 | 90201-12M05 | WASHER, PLATE ARANDELA PLANA | 4 | 4 | 4 | 4 | 4 | |
| 43 | 95380-12600 | NUT TUERCA | 8 | 8 | 8 | 8 | 8 | |

FIG. 16 BRACKET 2

SOPORTE 2

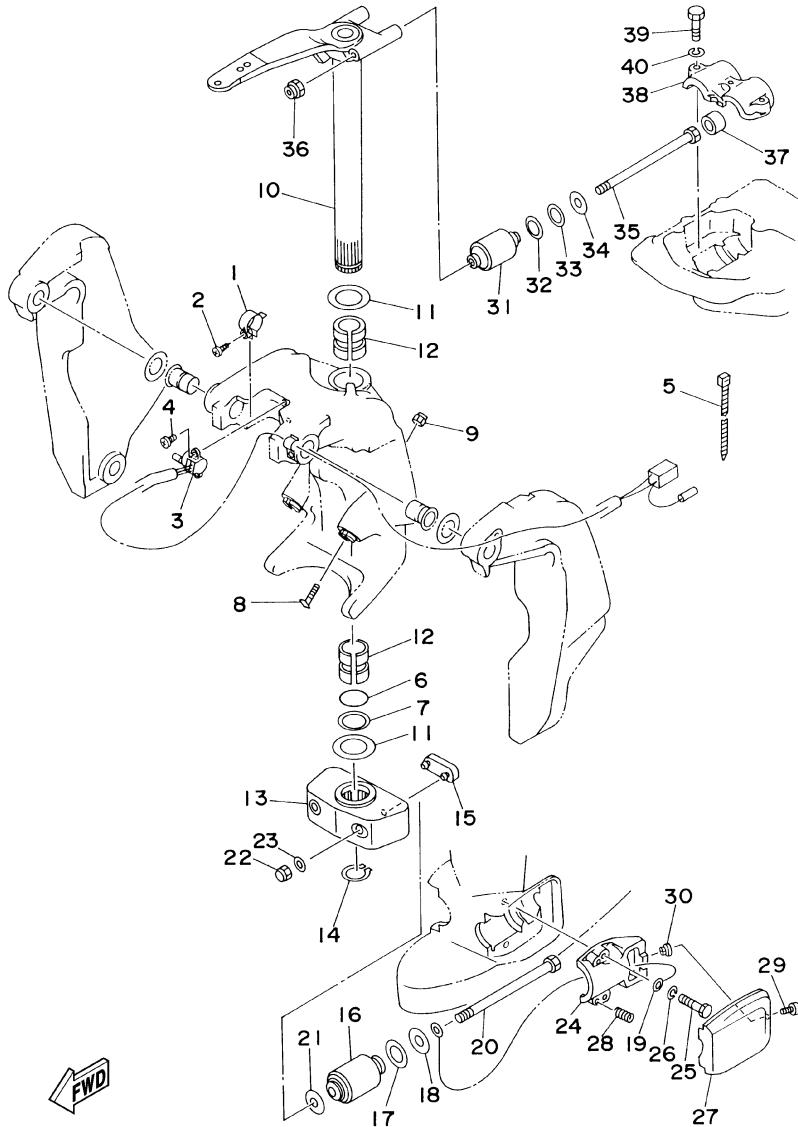


64D0010-7170

| REF. NO. | PART NO. CODIGO NO. | DESCRIPTION DESCRIPTION | 150A | 175A | 200A | L150 | L200 | REMARKS OBSERVACION |
|----------|---------------------|--|------|------|------|------|------|---------------------|
| 1 | 64E-43139-02 | CAM, TRIM SENDER LEVA TRANSMISOR DE INCLINDOR | 1 | 1 | 1 | 1 | 1 | |
| 2 | 97780-60525 | SCREW, TAPPING TORNILLO ROSCA HEMBRA | 1 | 1 | 1 | 1 | 1 | |
| 3 | 64E-83672-02 | TRIM SENDER TRANSMISOR DE INCLINADOR | 1 | 1 | 1 | 1 | 1 | |
| 4 | 97885-06016 | SCREW, PAN HEAD TORNILLO DE CABEZA CON PLANA | 2 | 2 | 2 | 2 | 2 | |
| 5 | 90465-11M10 | CLAMP BRIDA | 3 | 3 | 3 | 3 | 3 | |
| 6 | 93210-37MH7 | O-RING ANILLO O | 1 | 1 | 1 | 1 | 1 | |
| 7 | 90202-40M47 | WASHER, PLATE ARANDELA DE PLANA | 1 | 1 | 1 | 1 | 1 | |
| 8 | 61A-43376-00 | BOLT, THRUST RECEIVER TORNILLO RECEPTOR | 2 | 2 | 2 | 2 | 2 | |
| 9 | 95780-10300 | NUT, FLANGE TUERCA DE BRIDA | 2 | 2 | 2 | 2 | 2 | |
| 10 | 6E5-42510-05-8D | STEERING BRACKET ASSY SOPORTE DIRECCION COMPL. | 1 | 1 | 1 | | | L |
| | 6E5-42510-25-8D | STEERING BRACKET ASSY SOPORTE DIRECCION COMPL. | 1 | 1 | 1 | 1 | 1 | X |
| 11 | 90201-38M60 | WASHER, PLATE ARANDELA PLANA | 2 | 2 | 2 | 2 | 2 | |
| 12 | 90386-38M32 | BUSH BUJE | 2 | 2 | 2 | 2 | 2 | |
| 13 | 6G5-44551-01-8D | HOUSING, LOWER MOUNT RUBBER CAJA AMORTIGUADOR INFERIOR HU | 1 | 1 | 1 | 1 | 1 | |
| 14 | 93410-37M04 | CIRCLIP BOLA | 1 | 1 | 1 | 1 | 1 | |
| 15 | 6E5-44575-00 | DAMPER, LOWER MOUNT RUBBER AMORTIGUADOR INFERIOR | 1 | 1 | 1 | 1 | 1 | |
| 16 | 6G5-44555-00-94 | MOUNT DAMPER, LOWER SIDE AMORTIGUADOR DE HULE LADO INFE | 2 | 2 | 2 | 2 | 2 | |
| 17 | 90202-32M19 | WASHER, PLATE ARANDELA DE PLANA | 2 | 2 | 2 | 2 | 2 | |
| 18 | 90201-16M55 | WASHER, PLATE ARANDELA PLANA | 2 | 2 | 2 | 2 | 2 | |
| 19 | 6E5-82149-00 | WIRE, LEAD 3 CABLE CONDUCTOR 3 | 1 | 1 | 1 | 1 | 1 | |
| 20 | 90109-14M34 | BOLT PERNO | 2 | 2 | 2 | 2 | 2 | |
| 21 | 90201-15M58 | WASHER, PLATE ARANDELA PLANA | 2 | 2 | 2 | 2 | 2 | |
| 22 | 95380-14800 | NUT TUERCA | 2 | 2 | 2 | 2 | 2 | |
| 23 | 92995-14600 | WASHER ARANDELA | 2 | 2 | 2 | 2 | 2 | |
| 24 | 6E5-44552-01-94 | HOUSING, LOWER MOUNT RUBBER CAJA AMORTIGUADOR INFERIOR HU | 2 | 2 | 2 | 2 | 2 | |
| 25 | 97095-10045 | BOLT PERNO | 4 | 4 | 4 | 4 | 4 | |
| 26 | 92995-10100 | WASHER ARANDELA | 4 | 4 | 4 | 4 | 4 | |

FIG. 16 BRACKET 2

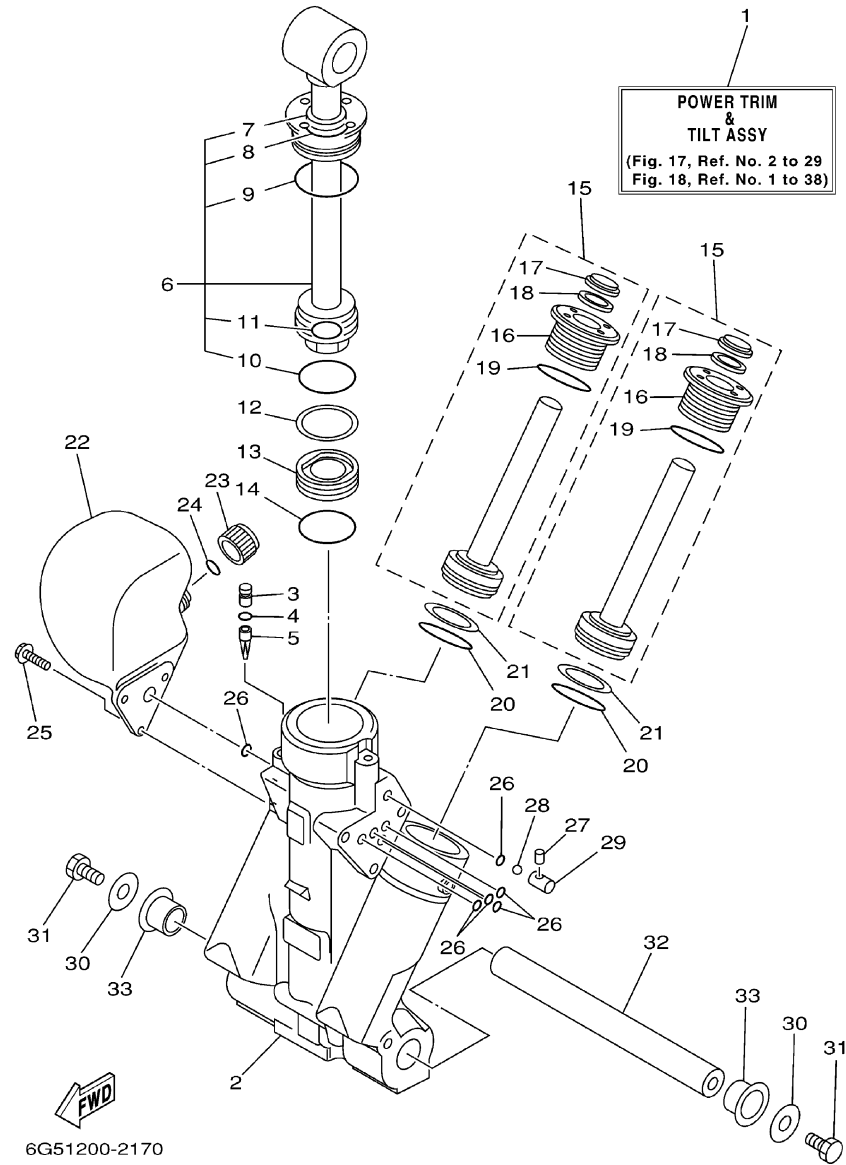
SOPORTE 2



64D0010-7170

| REF. NO. | PART NO. CODIGO NO. | DESCRIPTION DESCRIPTION | 150A | 175A | 200A | L150 | L200 | REMARKS OBSERVACION |
|----------|---------------------|--|------|------|------|------|------|---------------------|
| | | | | | | | | |
| 27 | 6E5-44553-01-8D | COVER, LOWER MOUNT CUBIERTA, AMORTIGUADOR INFERIOR | 2 | 2 | 2 | 2 | 2 | |
| 28 | 90501-16M28 | SPRING, COMPRESSION RESORTE DE COMPRESION | 4 | 4 | 4 | 4 | 4 | |
| 29 | 97885-06016 | SCREW, PAN HEAD TORNILLO DE CABEZA CON PLANA | 2 | 2 | 2 | 2 | 2 | |
| 30 | 90179-06066 | NUT TUERCA | 2 | 2 | 2 | 2 | 2 | |
| 31 | 6G5-44514-00-94 | MOUNT DAMPER, UPPER SIDE AMORTIGUADOR LADO SUPERIOR | 2 | 2 | 2 | 2 | 2 | |
| 32 | 90201-26M57 | WASHER, PLATE ARANDELA PLANA | 2 | 2 | 2 | 2 | 2 | |
| 33 | 90202-26M18 | WASHER, PLATE ARANDELA DE PLANA | 2 | 2 | 2 | 2 | 2 | |
| 34 | 90201-14M56 | WASHER, PLATE ARANDELA PLANA | 2 | 2 | 2 | 2 | 2 | |
| 35 | 90109-12M37 | BOLT PERNO | 2 | 2 | 2 | 2 | 2 | |
| 36 | 90185-12M12 | NUT, SELF-LOCKING TUERCA AUTOBLOCANTE | 2 | 2 | 2 | 2 | 2 | |
| 37 | 663-44575-00 | DAMPER, LOWER MOUNT RUBBER AMORTIGUADOR INFERIOR | 2 | 2 | 2 | 2 | 2 | |
| 38 | 6E5-44511-00-5B | COVER, UPPER MOUNT CUBIERTA AMORTIGUADOR SUPERIOR | 1 | 1 | 1 | 1 | 1 | |
| 39 | 97095-10045 | BOLT PERNO | 3 | 3 | 3 | 3 | 3 | |
| 40 | 92995-10100 | WASHER ARANDELA | 3 | 3 | 3 | 3 | 3 | |

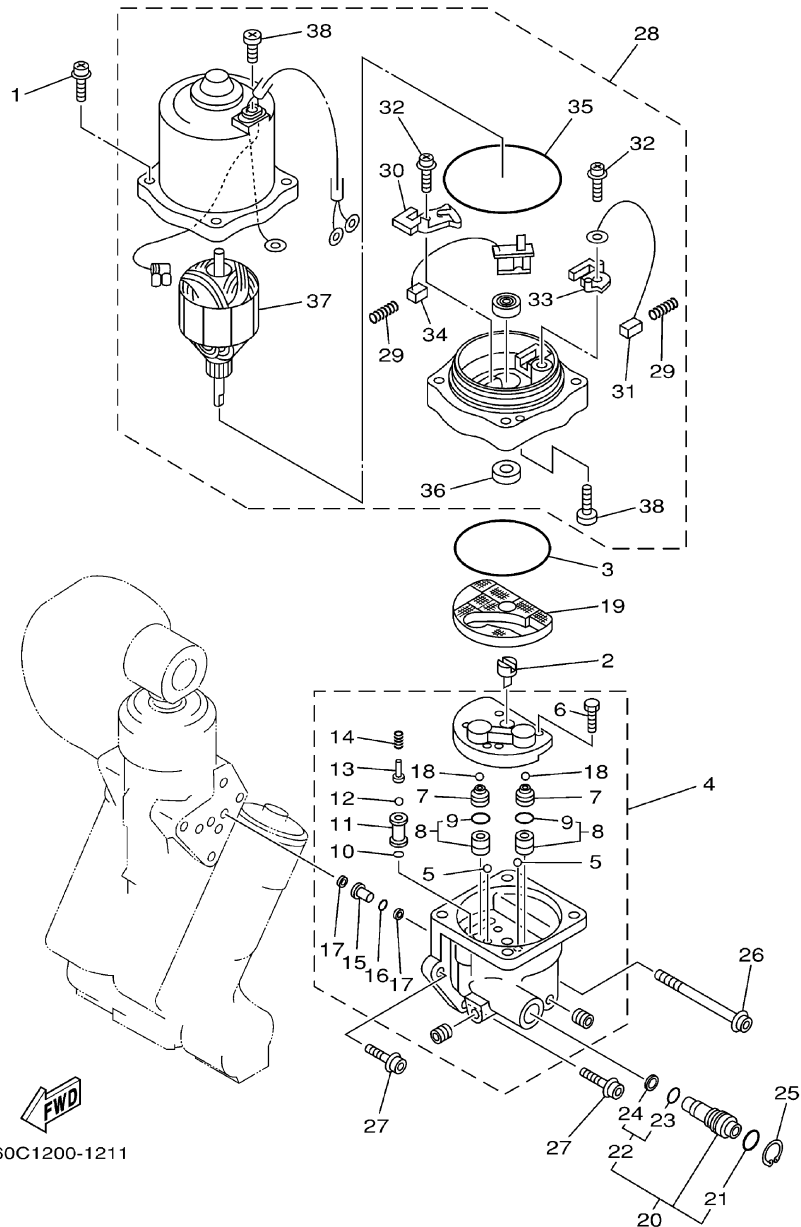
FIG. 17 POWER TRIM & TILT ASSY 1 COMPONER Y PODER VARILLA 1



6G51200-2170

| REF. NO. | PART NO. CODIGO NO. | DESCRIPTION DESCRIPTION | 150A | 175A | 200A | L150 | L200 | REMARKS OBSERVACION |
|----------|---------------------|--|------|------|------|------|------|---------------------|
| 1 | 64E-43800-02-4D | POWER TRIM & TILT ASSY ELEVADOR HIDRAULICO COMPL | 1 | 1 | 1 | 1 | 1 | |
| 2 | 64E-43825-01 | HOUSING, TRIM & TILT CAJA INCLINACION Y ADRNO | 1 | 1 | 1 | 1 | 1 | |
| 3 | 64E-4388J-00 | PLUG 2 TAPON 2 | 1 | 1 | 1 | 1 | 1 | |
| 4 | 93210-10M74 | O-RING ANILLO O | 1 | 1 | 1 | 1 | 1 | |
| 5 | 64E-43817-00 | FILTER 2 FILTRO 2 | 1 | 1 | 1 | 1 | 1 | |
| 6 | 64E-43810-00 | TILT PISTON SUB ASSY ELEVADOR SUB-PISTON COMPL | 1 | 1 | 1 | 1 | 1 | |
| 7 | 64E-43898-00 | .SEAL ,DUST 2 .SELLO ANTIPOLVO | 1 | 1 | 1 | 1 | 1 | |
| 8 | 64E-43867-00 | .O-RING .ANILLO EN O 7 | 1 | 1 | 1 | 1 | 1 | |
| 9 | 64E-43866-00 | .O-RING .ANILLO EN O 6 | 1 | 1 | 1 | 1 | 1 | |
| 10 | 6E5-43862-00 | .O-RING .ANILLO EN O 2 | 1 | 1 | 1 | 1 | 1 | |
| 11 | 64E-43883-00 | .O-RING .ANILLO EN O 10 | 1 | 1 | 1 | 1 | 1 | |
| 12 | 6E5-43872-00 | RING, BACK UP ANILLO | 1 | 1 | 1 | 1 | 1 | |
| 13 | 6E5-43814-02 | PISTON, FREE PISTON LIBRE | 1 | 1 | 1 | 1 | 1 | |
| 14 | 6E5-43862-00 | O-RING ANILLO EN O 2 | 1 | 1 | 1 | 1 | 1 | |
| 15 | 64E-43820-00 | TRIM PISTON SUB ASSY ELEVADOR PISTON COMPL | 2 | 2 | 2 | 2 | 2 | |
| 16 | 64E-43821-00 | .SCREW, TRIM CYLINDER END .TORNILLO CILINDURO EXTREMO | 1 | 1 | 1 | 1 | 1 | |
| 17 | 64E-43822-00 | .SEAL, TRIM DUST .SELLO DE POLVO | 1 | 1 | 1 | 1 | 1 | |
| 18 | 64E-4384J-00 | .SEAL, TRIM DOWN .SELLO | 1 | 1 | 1 | 1 | 1 | |
| 19 | 6G5-43864-00 | .O-RING ANILLO EN O 4 | 1 | 1 | 1 | 1 | 1 | |
| 20 | 6E5-43864-00 | O-RING ANILLO EN O 4 | 2 | 2 | 2 | 2 | 2 | |
| 21 | 6E5-43874-01 | RING, BACK UP ANILLO | 2 | 2 | 2 | 2 | 2 | |
| 22 | 64E-43828-00 | BODY, RESERVOIR CUERPO DEPOSITO | 1 | 1 | 1 | 1 | 1 | |
| 23 | 64E-43829-00 | PLUG, RESERVOIR TAPON DEPOSITO | 1 | 1 | 1 | 1 | 1 | |
| 24 | 64E-43897-00 | O-RING ANILLO EN O | 1 | 1 | 1 | 1 | 1 | |
| 25 | 64E-4388E-00 | BOLT ,SCREW (L:14MM) PERNO (L:14MM) | 3 | 3 | 3 | 3 | 3 | |
| 26 | 64E-43869-00 | O-RING ANILLO EN O 9 | 6 | 6 | 6 | 6 | 6 | |
| 27 | 64E-4381G-00 | PIN PASADOR 1 | 1 | 1 | 1 | 1 | 1 | |

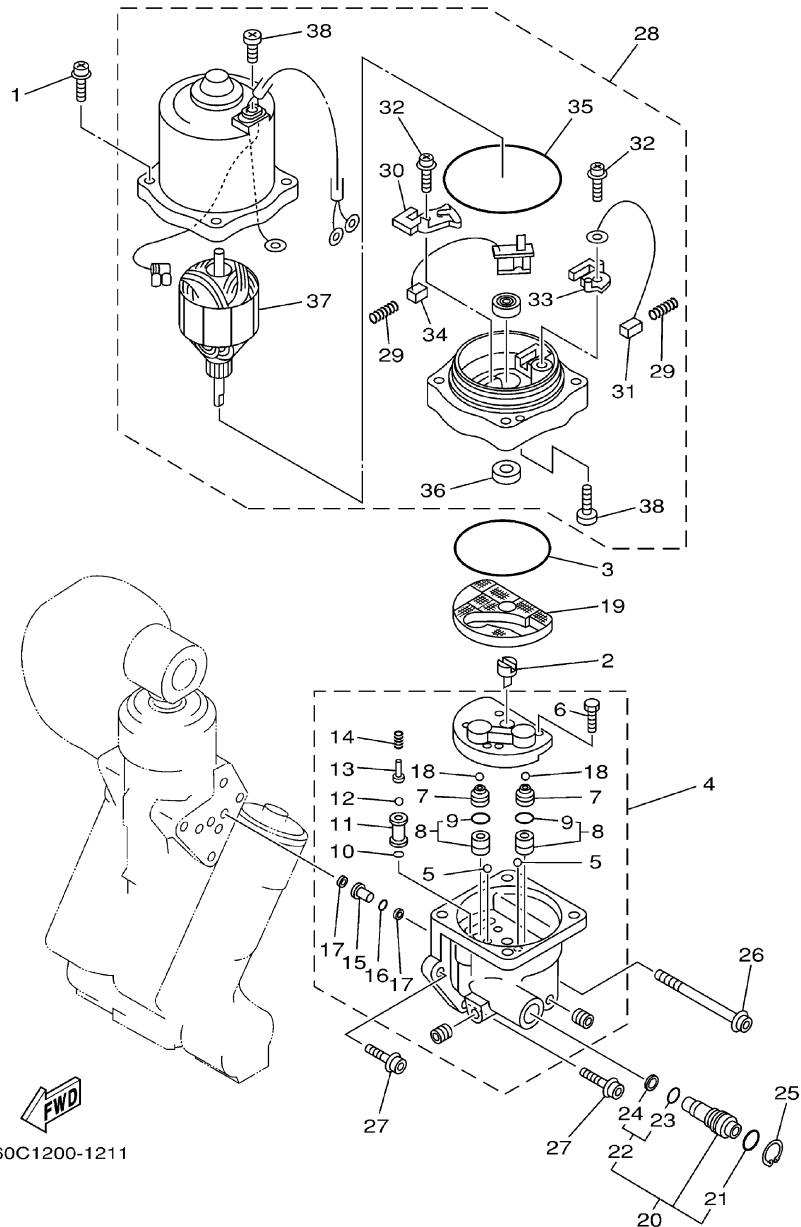
FIG. 18 POWER TRIM & TILT ASSY 2 COMPONER Y PODER VARILLA 2



60C1200-1211

| REF. NO. | PART NO. CODIGO NO. | DESCRIPTION DESCRIPTION | 150A | 175A | 200A | L150 | L200 | REMARKS OBSERVACION |
|----------|---------------------|---|------|------|------|------|------|---------------------|
| 1 | 64E-4388E-10 | BOLT ,SCREW (L:34.7MM) PERNO (L:34.7MM) | 4 | 4 | 4 | 4 | 4 | |
| 2 | 64E-43831-00 | CONNECTOR, SHAFT CONEXION EJE | 1 | 1 | 1 | 1 | 1 | |
| 3 | 64E-43868-00 | O-RING ANILLO EN O 8 | 1 | 1 | 1 | 1 | 1 | |
| 4 | 64E-43830-00 | GEAR PUMP ASSY ENGRANAJE BOMBA COMPL. | 1 | 1 | 1 | 1 | 1 | |
| 5 | 72X-43858-00 | .BALL .ESFERA | 2 | 2 | 2 | 2 | 2 | |
| 6 | 64E-43843-00 | .SCREW, VALVE LOCK .TORNILLO | 4 | 4 | 4 | 4 | 4 | |
| 7 | 64E-43841-00 | .PISTON, SHUTTLE .PISTON | 2 | 2 | 2 | 2 | 2 | |
| 8 | 64E-43802-00 | .VALVE SUB ASSY .VALVULA PRINCIPAL COMPL. | 2 | 2 | 2 | 2 | 2 | |
| 9 | 6E5-43896-00 | ..O-RING ..ANILLO EN O | 1 | 1 | 1 | 1 | 1 | |
| 10 | 6G5-43863-00 | .O-RING ..ANILLO EN O 3 | 1 | 1 | 1 | 1 | 1 | |
| 11 | 64E-43851-00 | .SEAT, RELIEF VALVE .ASIENTO VALVULA DE DESCARGA | 1 | 1 | 1 | 1 | 1 | |
| 12 | 64E-43858-00 | .BALL .ESFERA | 1 | 1 | 1 | 1 | 1 | |
| 13 | 64E-43859-00 | .PIN, VALVE SUPPORT .PASADOR VALVULA SOPORTE | 1 | 1 | 1 | 1 | 1 | |
| 14 | 64E-43855-00 | .SPRING, UP RELIEF .RESORTE SEGURIDAD SUPERIOR | 1 | 1 | 1 | 1 | 1 | |
| 15 | 64E-43850-00 | .VALVE SUB ASSY .VALVULA COMPL | 1 | 1 | 1 | 1 | 1 | |
| 16 | 64E-43865-00 | O-RING ANILLO EN O 5 | 1 | 1 | 1 | 1 | 1 | |
| 17 | 64E-43816-00 | .FILTER 1 .FIELTRO 1 | 2 | 2 | 2 | 2 | 2 | |
| 18 | 64E-43858-00 | .BALL .ESFERA | 2 | 2 | 2 | 2 | 2 | |
| 19 | 64E-43817-10 | FILTER 2 FIELTRO 2 | 1 | 1 | 1 | 1 | 1 | |
| 20 | 64E-43860-00 | MANUAL VALVE SUB-ASSY VALVULA SUB-COMPL. | 1 | 1 | 1 | 1 | 1 | |
| 21 | 72X-85075-L0 | O-RING ANILLO EN O 5 | 1 | 1 | 1 | 1 | 1 | |
| 22 | 64E-43827-00 | .RING SET .ESFERA | 1 | 1 | 1 | 1 | 1 | |
| 23 | 64E-4387A-00 | ..O-RING ..ANILLO O | 1 | 1 | 1 | 1 | 1 | |
| 24 | 64E-43873-00 | ..RING, BACK UP ..ANILLO | 1 | 1 | 1 | 1 | 1 | |
| 25 | 64E-43875-00 | RING, SNAP ANILLO | 1 | 1 | 1 | 1 | 1 | |
| 26 | 64E-43879-10 | SCREW, WITH WASHER TORNILLO CON RONDANA | 1 | 1 | 1 | 1 | 1 | |
| 27 | 64E-43879-00 | SCREW, WITH WASHER TORNILLO CON RONDANA | 2 | 2 | 2 | 2 | 2 | |

FIG. 18 POWER TRIM & TILT ASSY 2 COMPONER Y PODER VARILLA 2

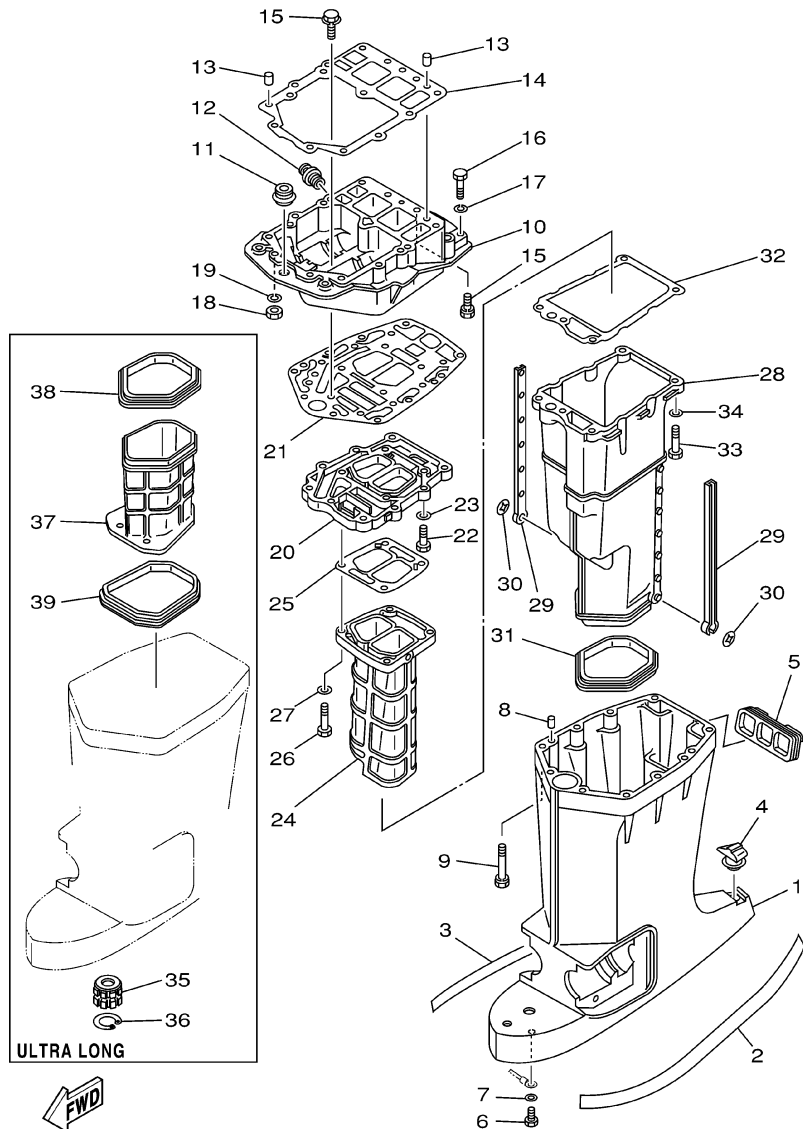


60C1200-1211

| REF. NO. | PART NO. CODIGO NO. | DESCRIPTION DESCRIPTION | 150A | 175A | 200A | L150 | L200 | REMARKS OBSERVACION |
|----------|---------------------|--|------|------|------|------|------|---------------------|
| 28 | 64E-43880-01 | MOTOR ASSY MOTOR COMPL. | 1 | 1 | 1 | 1 | 1 | |
| 29 | 6H1-4386K-10 | .SPRING, BRUSH .RESORTE, ESCOBILLA | 2 | 2 | 2 | 2 | 2 | |
| 30 | 64E-4380J-00 | .HOLDER, BRUSH .PORTAESCOBILLA | 1 | 1 | 1 | 1 | 1 | |
| 31 | 64E-43891-00 | .BRUSH 1 .ESCOBILLA 1 | 1 | 1 | 1 | 1 | 1 | |
| 32 | 97607-04310 | .SCREW, PAN HEAD WITH WASHER .TORNILLO CAB CON PLANA C/ARAN | 2 | 2 | 2 | 2 | 2 | |
| 33 | 64E-4380F-00 | .HOLDER, BRUSH 2 .PORTAESCOBILLA 2 | 1 | 1 | 1 | 1 | 1 | |
| 34 | 64E-43892-00 | .BRUSH 2 .ESCOBILLA 2 | 1 | 1 | 1 | 1 | 1 | |
| 35 | 6G5-43865-00 | .O-RING .ANILLO EN O 5 | 1 | 1 | 1 | 1 | 1 | |
| 36 | 93102-08M43 | .OIL SEAL .SELLO ACEITE | 1 | 1 | 1 | 1 | 1 | |
| 37 | 64E-43805-00 | .ARMATURE ASSY .INDUCIDO COMPL. | 1 | 1 | 1 | 1 | 1 | |
| 38 | 64E-43843-10 | .SCREW, VALVE LOCK .TORNILLO | 3 | 3 | 3 | 3 | 3 | |

FIG. 19 UPPER CASING

FUNDA SUPERIOR

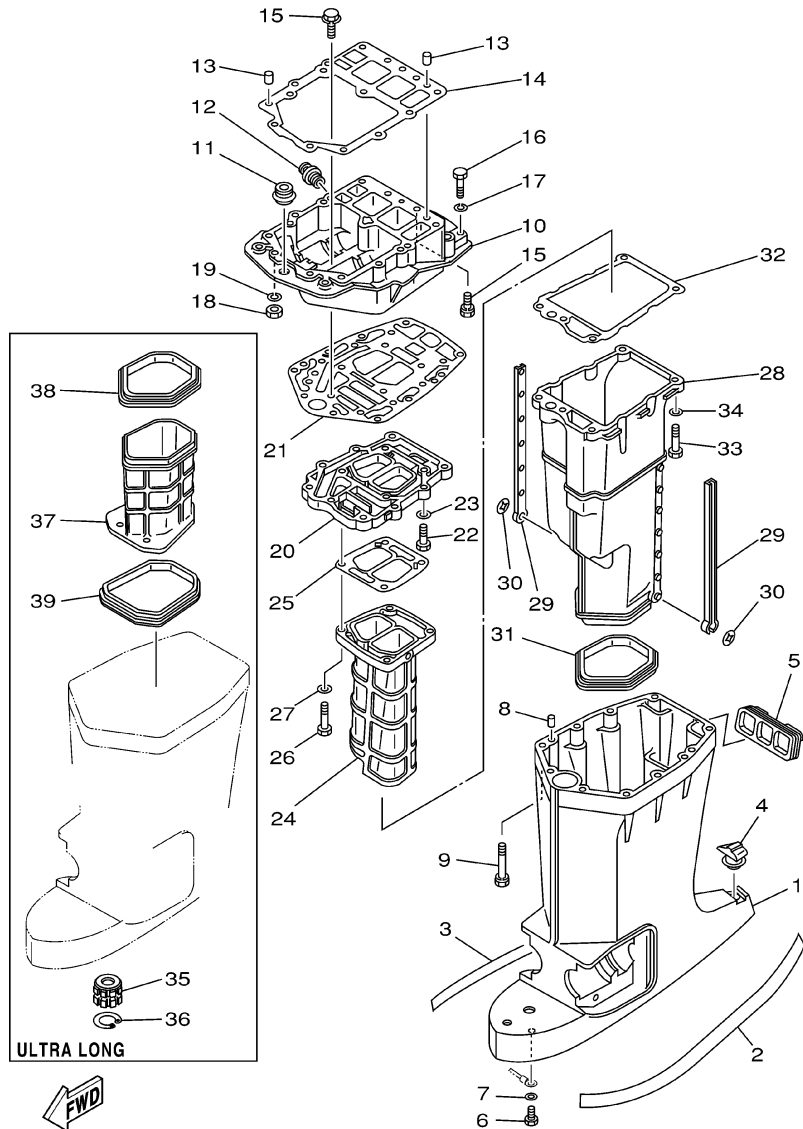


6G50200-9190

| REF. NO. | PART NO. CODIGO NO. | DESCRIPTION DESCRIPTION | 150A | 175A | 200A | L150 | L200 | REMARKS OBSERVACION |
|----------|---------------------|--|------|------|------|------|------|---------------------|
| 1 | 6E5-45111-02-8D | CASING, UPPER CAJA SUPERIOR | 1 | 1 | 1 | | | L |
| | 6E5-45111-23-8D | CASING, UPPER CAJA SUPERIOR | 1 | 1 | 1 | 1 | 1 | X |
| 2 | 6R3-42791-41 | MARK 1 MARCA 1 | 1 | 1 | 1 | 1 | 1 | |
| 3 | 6R3-42792-41 | MARK 2 MARCA 2 | 1 | 1 | 1 | 1 | 1 | |
| 4 | 6E5-45155-00 | CAP TAPA | 1 | 1 | 1 | 1 | 1 | |
| 5 | 6E5-42769-00 | SEAL, RUBBER SELLO DE GOMA | 1 | 1 | 1 | 1 | 1 | |
| 6 | 97095-06010 | BOLT PERNO | 1 | 1 | 1 | 1 | 1 | |
| 7 | 92995-06600 | WASHER ARANDELA | 1 | 1 | 1 | 1 | 1 | |
| 8 | 93608-12M05 | PIN, DOWEL PASADOR DE CLAVIJA | 2 | 2 | 2 | 2 | 2 | |
| 9 | 90119-08027 | BOLT, WITH WASHER TORNILLO CON ARANDELA | 6 | 6 | 6 | 6 | 6 | |
| 10 | 6G5-41137-02-94 | GUIDE, EXHAUST GUIA DE ESCAPE | 1 | 1 | 1 | 1 | 1 | |
| 11 | 6E5-42724-00 | GROMMET TAPON | 1 | 1 | 1 | 1 | 1 | |
| 12 | 6G5-12581-00 | JOINT, HOSE 1 CONEXION | 1 | 1 | 1 | 1 | 1 | |
| 13 | 93608-12M05 | PIN, DOWEL PASADOR DE CLAVIJA | 2 | 2 | 2 | 2 | 2 | |
| 14 | 6G5-45113-A1 | GASKET, UPPER CASING EMPAQUE | 1 | 1 | 1 | 1 | 1 | |
| 15 | 90119-08M79 | BOLT, WITH WASHER TORNILLO CON ARANDELA | 6 | 6 | 6 | 6 | 6 | |
| 16 | 97095-08045 | BOLT PERNO | 2 | 2 | 2 | 2 | 2 | |
| 17 | 92995-08100 | WASHER ARANDELA | 2 | 2 | 2 | 2 | 2 | |
| 18 | 95380-08700 | NUT TUERCA | 2 | 2 | 2 | 2 | 2 | |
| 19 | 92995-08100 | WASHER ARANDELA | 2 | 2 | 2 | 2 | 2 | |
| 20 | 6G5-41131-01-5B | MANIFOLD, EXT. 1 TUBO MULTIPLE DE ESCAPE | 1 | 1 | 1 | 1 | 1 | |
| 21 | 6G5-45114-A0 | GASKET, UPPER CASING EMPAQUE | 1 | 1 | 1 | 1 | 1 | |
| 22 | 97095-08030 | BOLT PERNO | 4 | 4 | 4 | 4 | 4 | |
| 23 | 92995-08600 | WASHER ARANDELA | 4 | 4 | 4 | 4 | 4 | |
| 24 | 64D-41132-00-5B | MANIFOLD, EXHAUST TUBO MULTIPLE DE ESCAPE | 1 | 1 | 1 | 1 | 1 | |
| 25 | 6G5-41134-A0 | GASKET, EXHAUST MANIFOLD EMPAQUE | 1 | 1 | 1 | 1 | 1 | |
| 26 | 97095-08045 | BOLT PERNO | 4 | 4 | 4 | 4 | 4 | |

FIG. 19 UPPER CASING

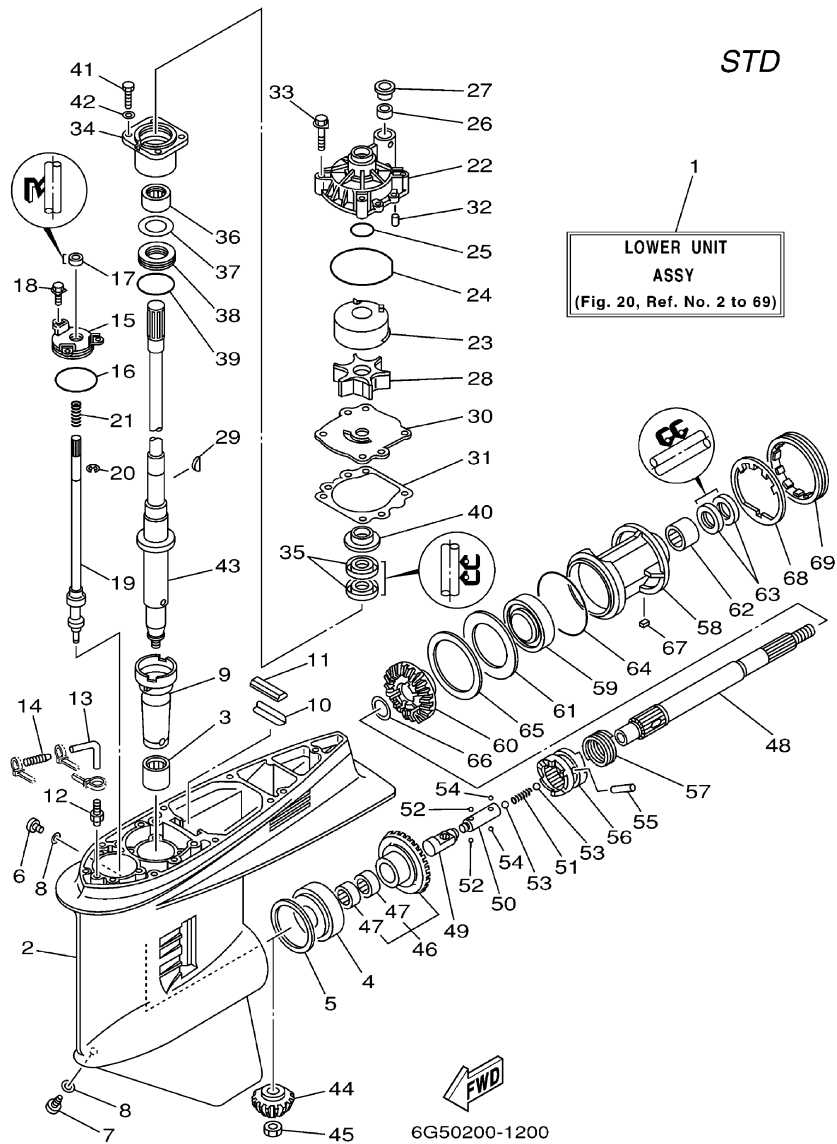
FUNDA SUPERIOR



6G50200-9190

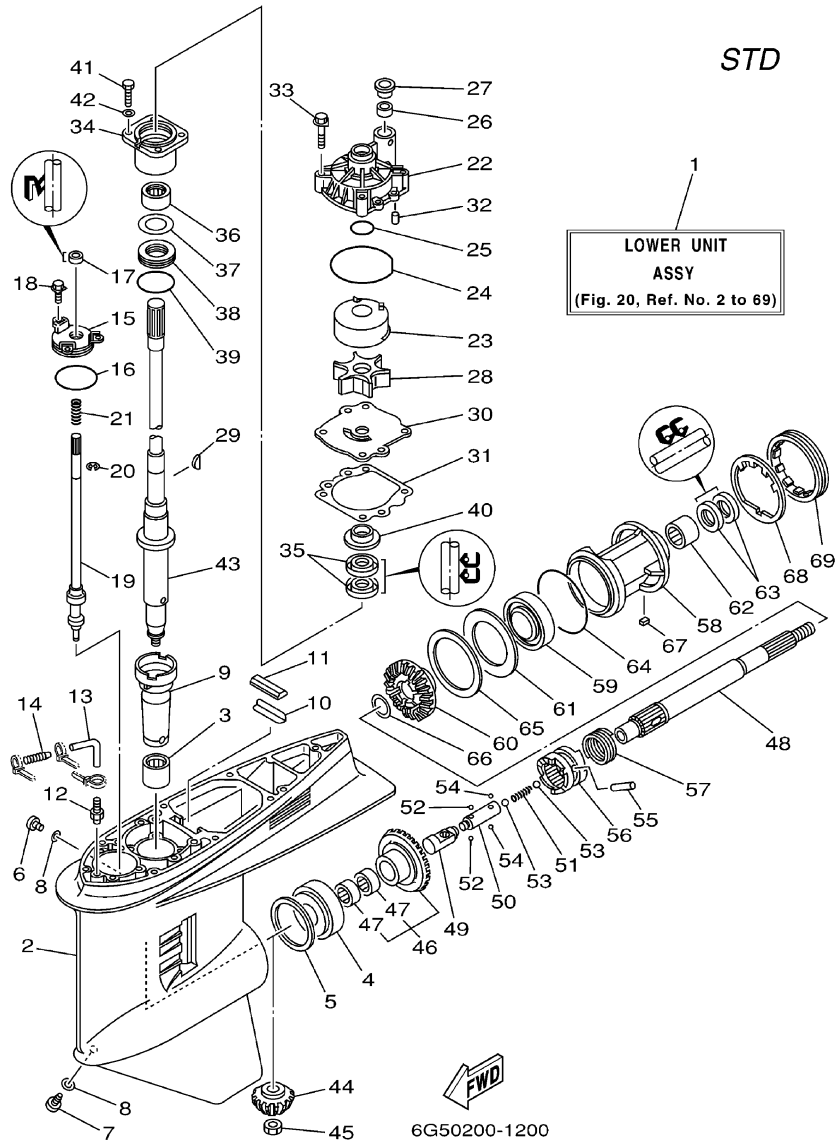
| REF. NO. | PART NO. CODIGO NO. | DESCRIPTION DESCRIPTION | 150A | 175A | 200A | L150 | L200 | REMARKS OBSERVACION |
|----------|---------------------|---|------|------|------|------|------|---------------------|
| 27 | 92995-08600 | WASHER ARANDELA | 4 | 4 | 4 | 4 | 4 | |
| 28 | 6E5-14711-01-5B | MUFFLER 1 SILENCIADOR 1 | 1 | 1 | 1 | 1 | 1 | |
| 29 | 6E5-14737-00 | DAMPER, MUFFLER AMORTIGUADOR DE SILENCIADOR | 2 | 2 | 2 | 2 | 2 | |
| 30 | 90183-05M02 | NUT, SPRING TUERCA DE RESORTE | 2 | 2 | 2 | 2 | 2 | |
| 31 | 6E5-45123-00 | GASKET, MUFFLER EMPAQUE SILENCIADOR | 1 | 1 | 1 | 1 | 1 | |
| 32 | 6E5-41135-A0 | GASKET, EXHAUST MANIFOLD EMPAQUE | 1 | 1 | 1 | 1 | 1 | |
| 33 | 97095-08045 | BOLT PERNO | 5 | 5 | 5 | 5 | 5 | |
| 34 | 92995-08600 | WASHER ARANDELA | 5 | 5 | 5 | 5 | 5 | |
| 35 | 6E5-45318-00 | BUSHING, DRIVE SHAFT BUJE, EJE DE MANDO | 1 | 1 | 1 | 1 | 1 | X |
| 36 | 93420-36M01 | CIRCLIP BOLA | 1 | 1 | 1 | 1 | 1 | X |
| 37 | 64D-14721-20-5B | MUFFLER 2 SILENCIADOR 2 | 1 | 1 | 1 | 1 | 1 | X |
| 38 | 64D-45123-00 | GASKET, MUFFLER EMPAQUE SILENCIADOR | 1 | 1 | 1 | 1 | 1 | X |
| 39 | 64D-45375-00 | DAMPER, SEAL GOMA DE SELLO | 1 | 1 | 1 | 1 | 1 | X |

FIG. 20 LOWER CASING, DRIVE 1 IMPULSOR E INFERIOR 1



| REF. NO. | PART NO. CODIGO NO. | DESCRIPTION DESCRIPTION | 150A | 175A | 200A | L150 | L200 | REMARKS OBSERVACION |
|----------|---------------------|---|------|------|------|------|------|---------------------|
| 1 | 6G5-45300-15-8D | LOWER UNIT ASSY CONJUNTO UNIDAD INFERIOR | 1 | 1 | | | | 150A,175A-L |
| | 6G5-45300-16-8D | LOWER UNIT ASSY CONJUNTO UNIDAD INFERIOR | | | 1 | | | 200A-L |
| | 6G5-45300-25-8D | LOWER UNIT ASSY CONJUNTO UNIDAD INFERIOR | 1 | 1 | | | | 150A,175A-X |
| | 6G5-45300-26-8D | LOWER UNIT ASSY CONJUNTO UNIDAD INFERIOR | | | 1 | | | 200A-X |
| 2 | 6J9-45301-04-8D | CASING, LOWER FUNDA INFERIOR COMPLETA | 1 | 1 | 1 | | | |
| 3 | 93311-928U5 | BEARING COJINETE | 1 | 1 | 1 | | | |
| 4 | 93332-000V3 | BEARING COJINETE | 1 | 1 | 1 | | | |
| 5 | 6G5-45567-01-10 | SHIM (T:0.10MM) LAINA (T:0.10MM) | 1 | 1 | 1 | | | UR |
| | 6G5-45567-01-12 | SHIM (T:0.12MM) LAINA (T:0.12MM) | 1 | 1 | 1 | | | UR |
| | 6G5-45567-01-15 | SHIM (T:0.15MM) LAINA (T:0.15MM) | 1 | 1 | 1 | | | UR |
| | 6G5-45567-01-18 | SHIM (T:0.18MM) LAINA (T:0.18MM) | 1 | 1 | 1 | | | UR |
| | 6G5-45567-01-30 | SHIM (T:0.30MM) LAINA (T:0.30MM) | 1 | 1 | 1 | | | UR |
| | 6G5-45567-01-40 | SHIM (T:0.40MM) LAINA (T:0.40MM) | 1 | 1 | 1 | | | UR |
| | 6G5-45567-01-50 | SHIM (T:0.50MM) LAINA (T:0.50MM) | 1 | 1 | 1 | | | UR |
| 6 | 90340-08002 | PLUG, STRAIGHT SCREW TORNILLO DE DRENAJE | 1 | 1 | 1 | | | |
| 7 | 688-45341-10 | PLUG, DRAIN TAPON, DREN | 1 | 1 | 1 | | | |
| 8 | 90430-08020 | GASKET JUNTA | 2 | 2 | 2 | | | |
| 9 | 6G5-45536-01 | SLEEVE, DRIVE SHAFT CAMISA EJE DE MANDO | 1 | 1 | 1 | | | |
| 10 | 663-45376-00-94 | GUIDE, SEAL DAMPER GUIA DE SELLO GOMA | 1 | 1 | 1 | | | L |
| | 64D-45376-00-94 | GUIDE, SEAL DAMPER GUIA DE SELLO GOMA | 1 | 1 | 1 | | | X |
| 11 | 688-45375-00 | DAMPER, SEAL GOMA DE SELLO | 1 | 1 | 1 | | | |
| 12 | 6E5-45378-00 | NIPPLE, HOSE NIPLE MANGUERA | 1 | 1 | 1 | | | |
| 13 | 90445-07ME8 | HOSE (L80) TUBO (L80) | 1 | 1 | 1 | | | L |
| | 90445-07ME9 | HOSE (L120) TUBO (L120) | 1 | 1 | 1 | | | X |
| 14 | 6E5-83558-10 | END, NIPPLE EXTREMO DE NIPLE | 1 | 1 | 1 | | | |
| 15 | 6E5-45321-00 | PLATE PLACA | 1 | 1 | 1 | | | |
| 16 | 93210-58144 | O-RING ANILLO O | 1 | 1 | 1 | | | |

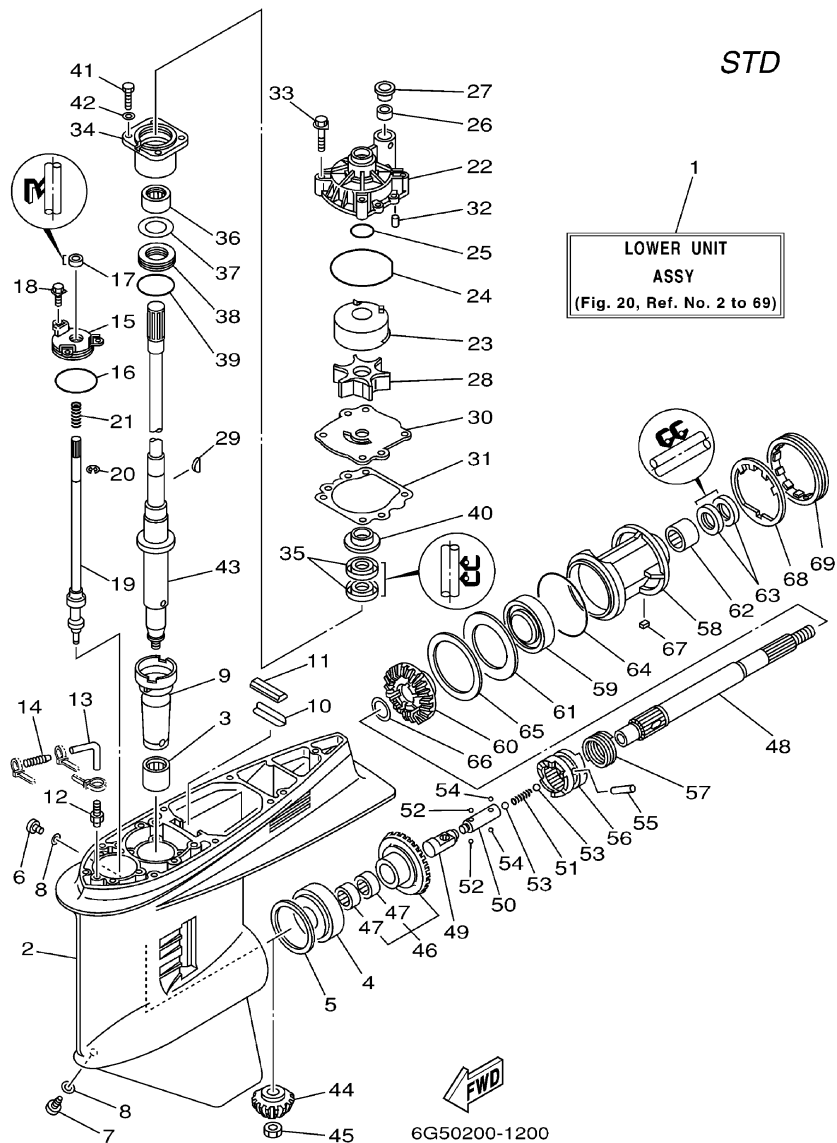
FIG. 20 LOWER CASING, DRIVE 1 IMPULSOR E INFERIOR 1



| REF. NO. | PART NO. CODIGO NO. | DESCRIPTION DESCRIPTION | 150A | 175A | 200A | L150 | L200 | REMARKS OBSERVACION |
|----------|---------------------|--|------|------|------|------|------|---------------------|
| 17 | 93106-09014 | OIL SEAL SELLO ACEITE | 1 | 1 | 1 | | | |
| 18 | 90119-06M10 | BOLT, WITH WASHER TORNILLO CON ARANDELA | 3 | 3 | 3 | | | |
| 19 | 6G5-44150-02 | SHIFT CAM ASSY CONJUNTO EJE LEVA COMPL. | 1 | 1 | 1 | | | |
| 20 | 99001-08600 | CIRCLIP PRESILLA REDONDA | 1 | 1 | 1 | | | |
| 21 | 90501-11M10 | SPRING, COMPRESSION RESORTE DE COMPRESION | 1 | 1 | 1 | | | |
| 22 | 61A-44311-01 | HOUSING, WATER PUMP CAJA BOMBA DE AGUA | 1 | 1 | 1 | | | |
| 23 | 61A-44322-02 | INSERT, CARTRIDGE CARTUCHO | | | | 1 | | FOR STD |
| | 6R3-44322-42 | INSERT, CARTRIDGE CARTUCHO | 1 | 1 | 1 | | | FOR CHROMATE |
| 24 | 93210-86M38 | O-RING ANILLO O | 1 | 1 | 1 | | | |
| 25 | 93210-37160 | O-RING ANILLO O | 1 | 1 | 1 | | | |
| 26 | 6E5-44365-00 | DAMPER, WATER SEAL HULE DE SELLO DE AGUA | 1 | 1 | 1 | | | |
| 27 | 6E5-44312-00 | COVER, WATER PUMP HOUSING CUBIERTA CAJA BOMBA DE AGUA | 1 | 1 | 1 | | | |
| 28 | 6E5-44352-01 | IMPELLER IMPULSOR | 1 | 1 | 1 | | | |
| 29 | 90280-04M05 | KEY, WOODRUFF CUNA WOODRUFF | 1 | 1 | 1 | | | |
| 30 | 6G5-44323-00 | OUTER PLATE, CARTRIDGE PLACA EXTERIOR DEL CARTUCHO | | | | 1 | | FOR STD |
| | 6G5-44323-40 | OUTER PLATE, CARTRIDGE PLACA EXTERIOR DEL CARTUCHO | 1 | 1 | 1 | | | FOR CHROMATE |
| 31 | 6E5-44315-A0 | GASKET, WATER PUMP EMPAQUE | 1 | 1 | 1 | | | |
| 32 | 93606-12019 | PIN, DOWEL PASADOR DE CLAVIJA | 2 | 2 | 2 | | | |
| 33 | 90119-08M14 | BOLT, WITH WASHER TORNILLO CON ARANDELA | 4 | 4 | 4 | | | |
| 34 | 6E5-45331-00-94 | HOUSING, BEARING CAJA DE COJINETE | 1 | 1 | 1 | | | |
| 35 | 93101-28M16 | OIL SEAL SELLO ACEITE | 2 | 2 | 2 | | | |
| 36 | 93317-330U2 | BEARING COJINETE | 1 | 1 | 1 | | | |
| 37 | 6E5-45587-01-10 | SHIM (T:0.10MM) LAINA (T:0.10MM) | 1 | 1 | 1 | | | UR |
| | 6E5-45587-01-12 | SHIM (T:0.12MM) LAINA (T:0.12MM) | 1 | 1 | 1 | | | UR |
| | 6E5-45587-01-15 | SHIM (T:0.15MM) LAINA (T:0.15MM) | 1 | 1 | 1 | | | UR |
| | 6E5-45587-01-18 | SHIM (T:0.18MM) LAINA (T:0.18MM) | 1 | 1 | 1 | | | UR |
| | 6E5-45587-01-30 | SHIM (T:0.30MM) LAINA (T:0.30MM) | 1 | 1 | 1 | | | UR |

FIG. 20 LOWER CASING, DRIVE 1

IMPULSOR E INFERIOR 1



| REF. NO. | PART NO. CODIGO NO. | DESCRIPTION DESCRIPTION | 150A | 175A | 200A | L150 | L200 | REMARKS OBSERVACION |
|----------|---------------------|--|------|------|------|------|------|---------------------|
| 37 | 6E5-45587-01-40 | SHIM (T:0.40MM) LAINA (T:0.40MM) | 1 | 1 | 1 | | | UR |
| | 6E5-45587-01-50 | SHIM (T:0.50MM) LAINA (T:0.50MM) | 1 | 1 | 1 | | | UR |
| 38 | 93341-930V2 | BEARING COJINETE | 1 | 1 | 1 | | | |
| 39 | 93210-55M14 | O-RING ANILLO O | 1 | 1 | 1 | | | |
| 40 | 6E5-45344-00 | COVER, OIL SEAL CUBIERTA SELLO ACEITE | 1 | 1 | 1 | | | |
| 41 | 97095-08025 | BOLT PERNO | 4 | 4 | 4 | | | |
| 42 | 92995-08600 | WASHER ARANDELA | 4 | 4 | 4 | | | |
| 43 | 6G5-45501-01 | DRIVE SHAFT COMP. EJE DE MANDO COMPL. | 1 | 1 | 1 | | | L |
| | 6G5-45501-21 | DRIVE SHAFT COMP. EJE DE MANDO COMPL. | 1 | 1 | 1 | | | X |
| 44 | 6G5-45551-01 | PINION PINON | 1 | 1 | | | | |
| | 6G5-45551-10 | PINION PINON | | | 1 | | | |
| 45 | 90170-16M01 | NUT TUERCA | 1 | 1 | 1 | | | |
| 46 | 6G5-45560-01 | GEAR ENGRANE COMPLE 1 | 1 | 1 | | | | |
| | 6G5-45560-10 | GEAR ENGRANE COMPLE 1 | | | 1 | | | |
| 47 | 93315-425V3 | BEARING COJINETE | 2 | 2 | 2 | | | |
| 48 | 6J9-45611-01 | SHAFT, PROPELLER EJE PROPUSOR | 1 | 1 | 1 | | | |
| 49 | 6E5-45641-02 | SHIFTER CAMBIO | 1 | 1 | 1 | | | |
| 50 | 6E5-45634-01 | SLIDE, SHIFT DESLIZADOR, CAMBIO | 1 | 1 | 1 | | | |
| 51 | 90501-16M37 | SPRING, COMPRESSION RESORTE DE COMPRESION | 1 | 1 | 1 | | | |
| 52 | 93507-32009 | BALL BOLA | 2 | 2 | 2 | | | |
| 53 | 93511-32017 | BALL BOLA | 2 | 2 | 2 | | | |
| 54 | 93503-16003 | BALL BOLA | 2 | 2 | 2 | | | |
| 55 | 90250-08M07 | PIN, STRAIGHT PASADOR CILINDRICO | 1 | 1 | 1 | | | |
| 56 | 6G5-45631-00 | CLUTCH, DOG EMBRAGUE DE GARRA | 1 | 1 | | | | |
| | 6G5-45631-10 | CLUTCH, DOG EMBRAGUE DE GARRA | | | 1 | | | |
| 57 | 6E5-45633-01 | RING, CROSS PIN ANILLO DE PASADOR | 1 | 1 | 1 | | | |
| 58 | 6J9-45332-00-94 | HOUSING, BEARING CAJA BALERO 2 | 1 | 1 | 1 | | | |

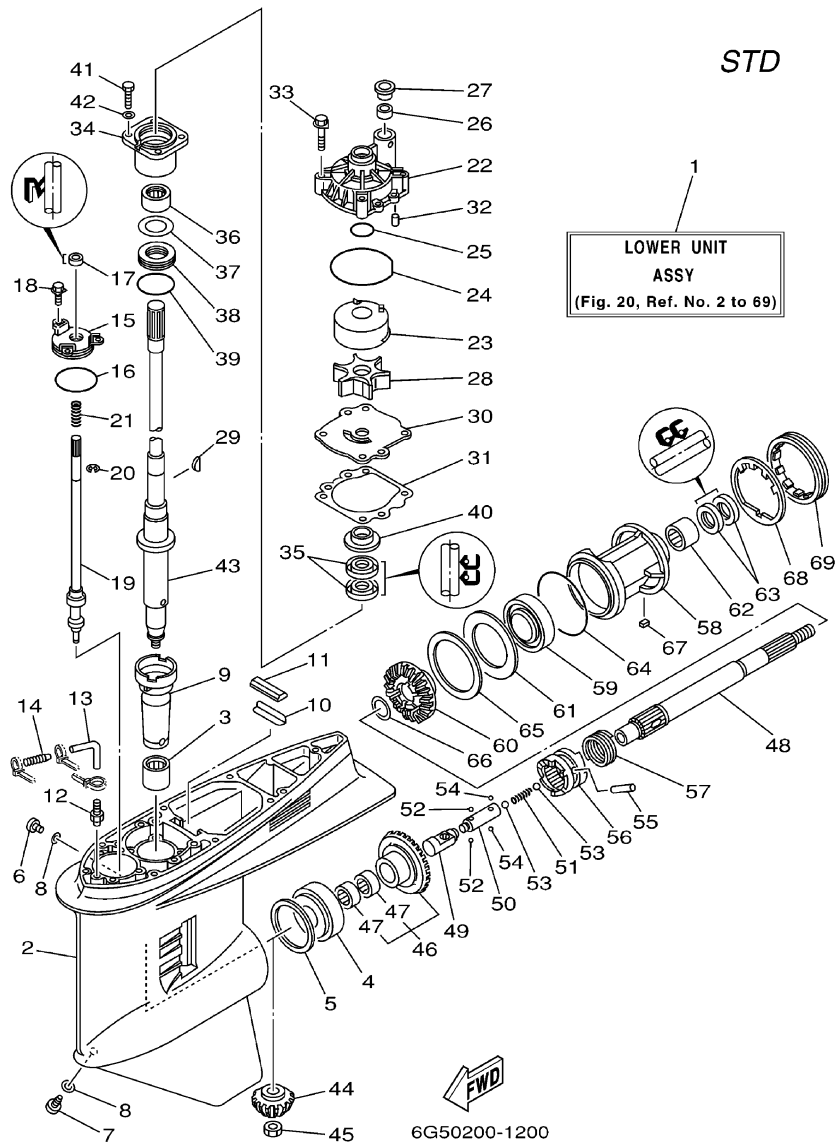
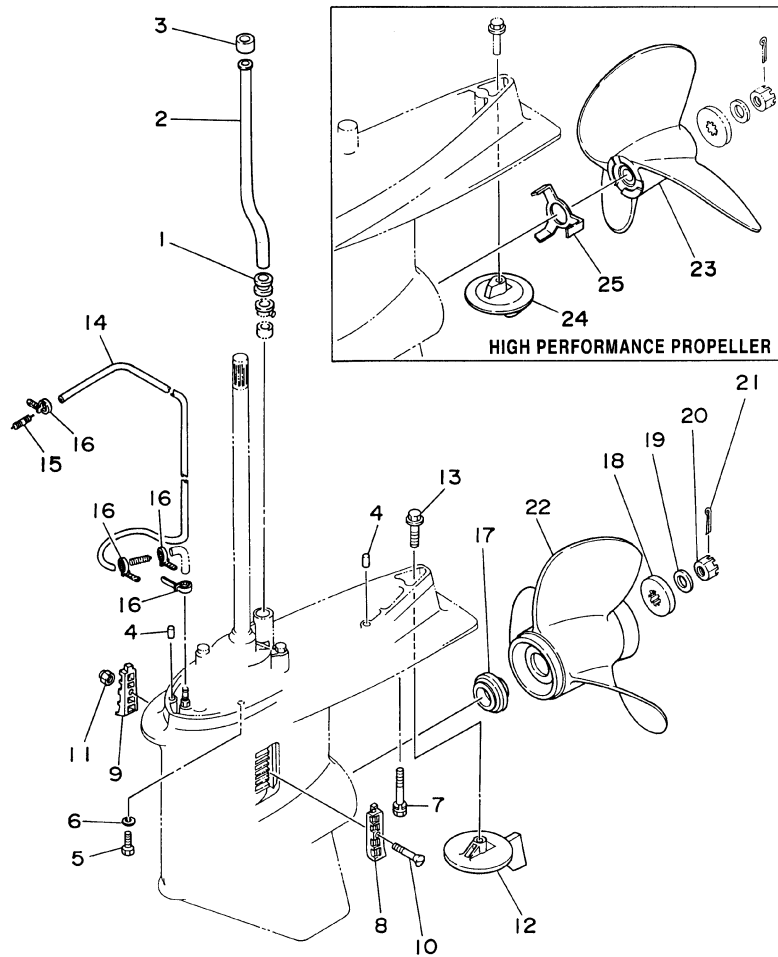


FIG. 20 LOWER CASING, DRIVE 1 IMPULSOR E INFERIOR 1

| REF. NO. | PART NO. CODIGO NO. | DESCRIPTION DESCRIPTION | 150A | 175A | 200A | L150 | L200 | REMARKS OBSERVACION |
|----------|---------------------|--|------|------|------|------|------|---------------------|
| 59 | 93306-209U0 | BEARING COJINETE | 1 | 1 | 1 | | | |
| 60 | 6G5-45571-02 | GEAR ENGRANAJE | 1 | 1 | 1 | | | |
| 61 | 6G5-45576-00 | WASHER, THRUST ARANDELA DE EMPUJE AXIAL | 1 | 1 | 1 | | | |
| 62 | 93315-430U8 | BEARING COJINETE | 1 | 1 | 1 | | | |
| 63 | 93101-30M17 | OIL SEAL SELLO ACEITE | 2 | 2 | 2 | | | |
| 64 | 93210-97M55 | O-RING ANILLO O | 1 | 1 | 1 | | | |
| 65 | 6G5-45577-02-10 | SHIM (T:0.10MM) LAINA (T:0.10MM) | 1 | 1 | 1 | | | UR |
| | 6G5-45577-02-12 | SHIM (T:0.12MM) LAINA (T:0.12MM) | 1 | 1 | 1 | | | UR |
| | 6G5-45577-02-15 | SHIM (T:0.15MM) LAINA (T:0.15MM) | 1 | 1 | 1 | | | UR |
| | 6G5-45577-02-18 | SHIM (T:0.18MM) LAINA (T:0.18MM) | 1 | 1 | 1 | | | UR |
| | 6G5-45577-02-30 | SHIM (T:0.30MM) LAINA (T:0.30MM) | 1 | 1 | 1 | | | UR |
| | 6G5-45577-02-40 | SHIM (T:0.40MM) LAINA (T:0.40MM) | 1 | 1 | 1 | | | UR |
| | 6G5-45577-02-50 | SHIM (T:0.50MM) LAINA (T:0.50MM) | 1 | 1 | 1 | | | UR |
| 66 | 90201-30M92 | WASHER, PLATE ARANDELA PLANA | 1 | 1 | 1 | | | |
| 67 | 90282-04M00 | KEY, STRAIGHT CHAVETA, RECTA | 1 | 1 | 1 | | | |
| 68 | 6G5-45383-01 | WASHER, CLAW ARANDELA DE UNA | 1 | 1 | 1 | | | |
| 69 | 6G5-45384-00 | NUT TUERCA | 1 | 1 | 1 | | | |

STD



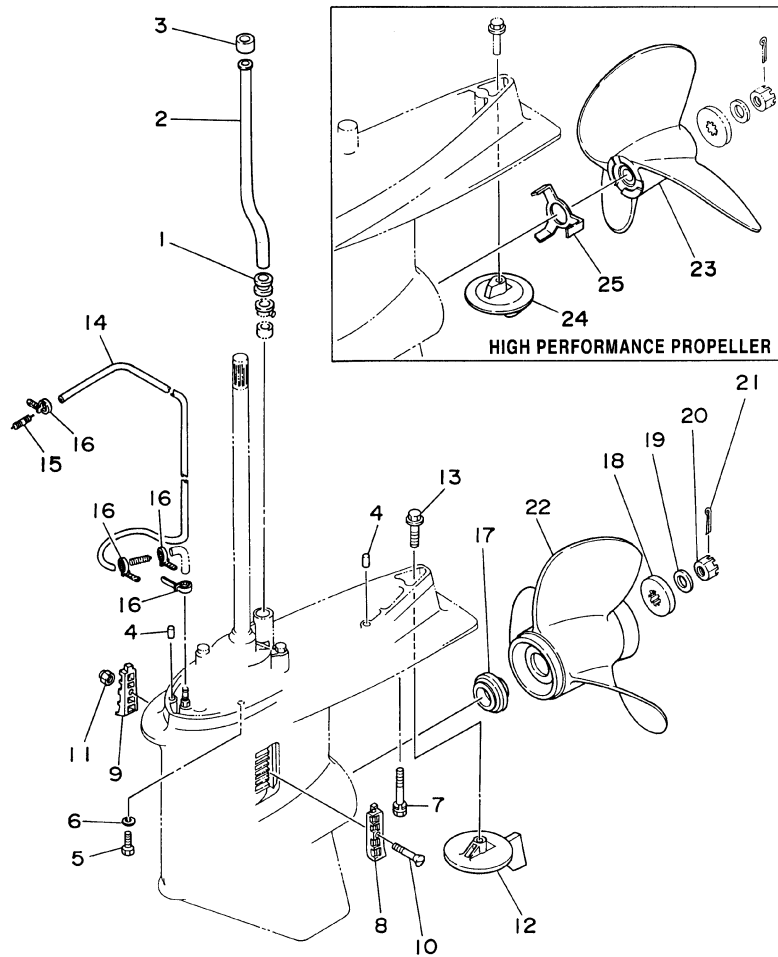

6G50200-1210

FIG. 21 LOWER CASING, DRIVE 2 IMPULSOR E INFERIOR 2

| REF. NO. | PART NO. CODIGO NO. | DESCRIPTION DESCRIPTION | 150A | 175A | 200A | L150 | L200 | REMARKS OBSERVACION |
|----------|---------------------|--|------|------|------|------|------|---------------------|
| 1 | 6E5-44366-00 | DAMPER, WATER SEAL GOMA DEL SELLO DE AGUA | 1 | 1 | 1 | | | |
| 2 | 6E5-44361-00 | TUBE, WATER TUBO DE AGUA | 1 | 1 | 1 | | | L |
| | 6E5-44361-20 | TUBE, WATER TUBO DE AGUA | 1 | 1 | 1 | | | X |
| 3 | 6E5-44365-00 | DAMPER, WATER SEAL HULE DE SELLO DE AGUA | 1 | 1 | 1 | | | |
| 4 | 93608-12M05 | PIN, DOWEL PASADOR DE CLAVIJA | 2 | 2 | 2 | | | |
| 5 | 97075-10045 | BOLT PERNO | 6 | 6 | 6 | | | |
| 6 | 92995-10100 | WASHER ARANDELA | 6 | 6 | 6 | | | |
| 7 | 90119-10M89 | BOLT, WITH WASHER TORNILLO CON ARANDELA | 1 | 1 | 1 | | | |
| 8 | 6J9-45214-00 | COVER, WATER INLET CUBIERTA ENTRADA AGUA | 1 | 1 | 1 | | | |
| 9 | 6J9-45215-00 | COVER, WATER INLET CUBIERTA ENTRADA AGUA | 1 | 1 | 1 | | | |
| 10 | 90152-05M08 | SCREW, COUNTERSUNK TORNILLO EMBUTIDO | 1 | 1 | 1 | | | |
| 11 | 90185-05002 | NUT, SELF-LOCKING TUERCA AUTOBLOCANTE | 1 | 1 | 1 | | | |
| 12 | 6J9-45371-01 | TAB-TRIM QUILLA ESTABILIZADOR | 1 | 1 | 1 | | | |
| 13 | 90105-10M00 | BOLT, FLANGE TORNILLO | 1 | 1 | 1 | | | |
| 14 | 90445-07MF0 | HOSE (L1030) TUBO (L1030) | 1 | 1 | 1 | | | |
| 15 | 6E5-83558-00 | END, NIPPLE EXTREMO DE NIPLE | 1 | 1 | 1 | | | |
| 16 | 90465-11M10 | CLAMP BRIDA | 4 | 4 | 4 | | | |
| 17 | 6E5-45987-01 | SPACER ESPACIADOR | 1 | 1 | 1 | | | |
| 18 | 688-45997-01 | SPACER ESPACIADOR | 1 | 1 | 1 | | | |
| 19 | 92990-18200 | WASHER ARANDELA | 1 | 1 | 1 | | | |
| 20 | 90171-18M04 | NUT, CASTLE TUERCA ENTALLADA | 1 | 1 | 1 | | | |
| 21 | 91490-40030 | PIN, COTTER PASADOR DE CHAVETA | 1 | 1 | 1 | | | |
| 22 | 6G5-45941-01-98 | PROPELLER (3X15-1/4"X15"-M) PROPELA (3X15-1/4"X15"-M) | 1 | 1 | 1 | | | UR |
| | 6G5-45945-01-98 | PROPELLER (3X14"X19"-M) PROPELA (3X14"X19"-M) | 1 | 1 | 1 | | | UR |
| | 6G5-45947-01-98 | PROPELLER (3X14-1/2"X17"-M) PROPELA (3X14-1/2"X17"-M) | 1 | 1 | 1 | | | UR |
| | 6G5-45949-00-98 | PROPELLER (3X13-1/2"X23"-M) PROPELA (3X13-1/2"X23"-M) | 1 | 1 | 1 | | | UR |
| | 6G5-45952-00-98 | PROPELLER (3X14-5/8"X16"-M) PROPELA (3X14-5/8"X16"-M) | 1 | 1 | 1 | | | UR |

F7

STD



6G50200-1210

FIG. 21 LOWER CASING, DRIVE 2 IMPULSOR E INFERIOR 2

| REF. NO. | PART NO. CODIGO NO. | DESCRIPTION DESCRIPTION | 150A | 175A | 200A | L150 | L200 | REMARKS OBSERVACION |
|--|---------------------|--|------|------|------|------|------|---------------------|
| STAINLESS STEEL PROPELLER LIMPIO-ACERO DEL PROPELA | | | | | | | | |
| 22 | 6G5-45970-02-98 | PROPELLER (3X15-1/4"X15"-M) PROPELA (3X15-1/4"X15"-M) | 1 | 1 | 1 | | | UR |
| | 6G5-45972-02-98 | PROPELLER (3X13-3/4"X21"-M) PROPELA (3X13-3/4"X21"-M) | 1 | 1 | 1 | | | UR |
| | 6G5-45974-03-98 | PROPELLER (3X13-3/4"X19"-M2) PROPELA (3X13-3/4"X19"-M2) | 1 | 1 | 1 | | | UR |
| | 6G5-45976-01-98 | PROPELLER (3X13-3/8"X23"-M) PROPELA (3X13-3/8"X23"-M) | 1 | 1 | 1 | | | UR |
| | 6G5-45978-03-98 | PROPELLER (3X13-3/4"X17"-M2) PROPELA (3X13-3/4"X17"-M2) | 1 | 1 | 1 | | | UR |
| | 6G5-45930-00-98 | PROPELLER (3X13-3/8"X25"-M) PROPELA (3X13-3/8"X25"-M) | 1 | 1 | 1 | | | UR |
| | 6G5-45932-00-98 | PROPELLER (3X15-3/4"X13"-M) PROPELA (3X15-3/4"X13"-M) | 1 | 1 | 1 | | | UR |
| HIGH PERFORMANCE PROPELLER ALTO COMPOSICION DEL PROPELA | | | | | | | | |
| 23 | 6E5-45970-10 | PROPELLER (3X14"X20"-P) PROPELA (3X14"X20"-P) | 1 | 1 | 1 | | | UR |
| | 6E5-45972-10 | PROPELLER (3X14"X24"-P) PROPELA (3X14"X24"-P) | 1 | 1 | 1 | | | UR |
| | 6E5-45974-10 | PROPELLER (3X14"X28"-P) PROPELA (3X14"X28"-P) | 1 | 1 | 1 | | | UR |
| | 6E5-45976-10 | PROPELLER (3X14"X22"-P) PROPELA (3X14"X22"-P) | 1 | 1 | 1 | | | UR |
| | 6E5-45978-10 | PROPELLER (3X14"X26"-P) PROPELA (3X14"X26"-P) | 1 | 1 | 1 | | | UR |
| 24 | 6E5-45371-10 | TAB-TRIM QUILLA ESTABILIZADOR | 1 | 1 | 1 | | | |
| 25 | 6E5-45994-10 | PLATE, TOOTH PLACA | 1 | 1 | 1 | | | |

COUNTER ROTATION

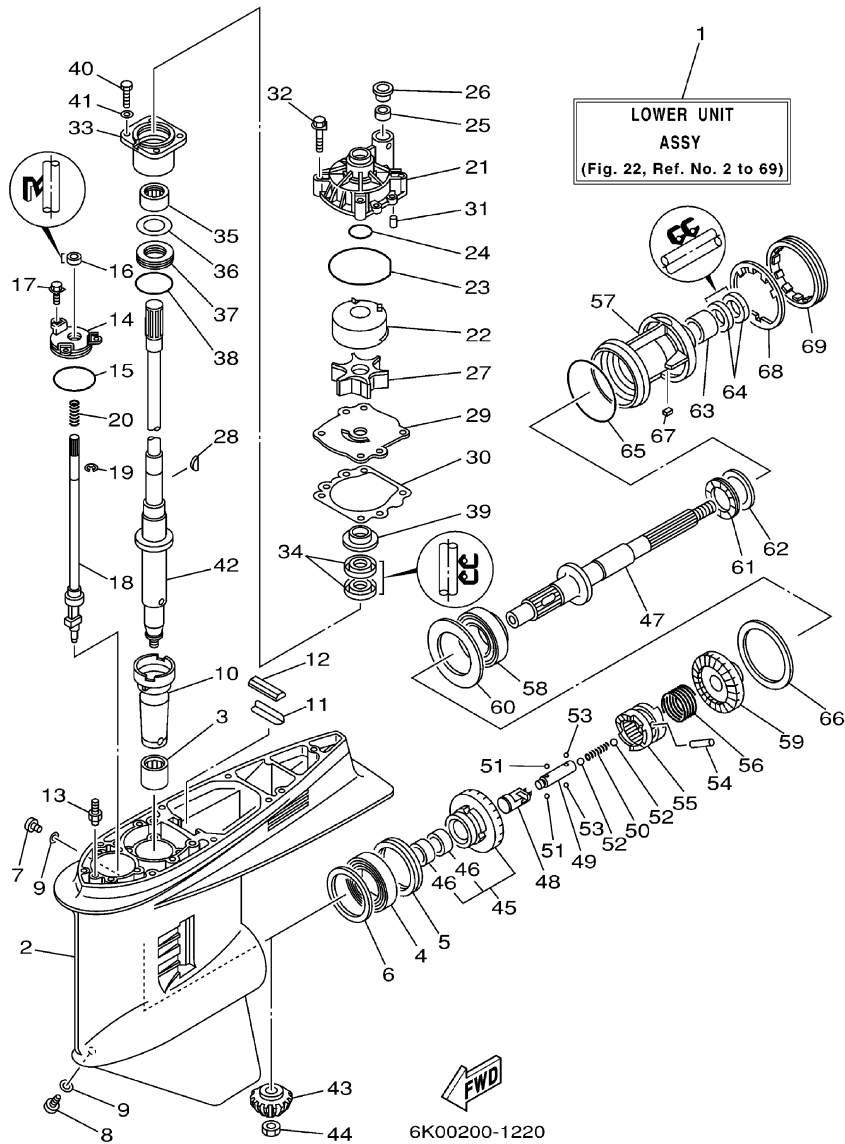


FIG. 22 LOWER CASING, DRIVE 3 IMPULSOR E INFERIOR 3

| REF. NO. | PART NO. CODIGO NO. | DESCRIPTION DESCRIPTION | 150A | 175A | 200A | L150 | L200 | REMARKS OBSERVACION |
|----------|---------------------|--|------|------|------|------|------|---------------------|
| 1 | 6K1-45300-24-8D | LOWER UNIT ASSY CONJUNTO UNIDAD INFERIOR | | | | 1 | | L150A-X |
| | 6K1-45300-25-8D | LOWER UNIT ASSY CONJUNTO UNIDAD INFERIOR | | | | | 1 | L200A-X |
| 2 | 6J9-45301-04-8D | CASING, LOWER FUNDA INFERIOR COMPLETA | | | | 1 | 1 | |
| 3 | 93311-928U5 | BEARING COJINETE | | | | 1 | 1 | |
| 4 | 93390-000U2 | BEARING COJINETE | | | | 1 | 1 | |
| 5 | 93341-465U4 | BEARING COJINETE | | | | 1 | 1 | |
| 6 | 6G5-45567-01-10 | SHIM (T:0.10MM) LAINA (T:0.10MM) | | | | 1 | 1 | UR |
| | 6G5-45567-01-12 | SHIM (T:0.12MM) LAINA (T:0.12MM) | | | | 1 | 1 | UR |
| | 6G5-45567-01-15 | SHIM (T:0.15MM) LAINA (T:0.15MM) | | | | 1 | 1 | UR |
| | 6G5-45567-01-18 | SHIM (T:0.18MM) LAINA (T:0.18MM) | | | | 1 | 1 | UR |
| | 6G5-45567-01-30 | SHIM (T:0.30MM) LAINA (T:0.30MM) | | | | 1 | 1 | UR |
| | 6G5-45567-01-40 | SHIM (T:0.40MM) LAINA (T:0.40MM) | | | | 1 | 1 | UR |
| | 6G5-45567-01-50 | SHIM (T:0.50MM) LAINA (T:0.50MM) | | | | 1 | 1 | UR |
| 7 | 90340-08002 | PLUG, STRAIGHT SCREW TORNILLO, DE DRENAJE | | | | 1 | 1 | |
| 8 | 688-45341-10 | PLUG, DRAIN TAPON, DREN | | | | 1 | 1 | |
| 9 | 90430-08020 | GASKET JUNTA | | | | 2 | 2 | |
| 10 | 6G5-45536-01 | SLEEVE, DRIVE SHAFT CAMISA EJE DE MANDO | | | | 1 | 1 | |
| 11 | 64D-45376-00-94 | GUIDE, SEAL DAMPER GUIA DE SELLO GOMA | | | | 1 | 1 | X |
| 12 | 688-45375-00 | DAMPER, SEAL GOMA DE SELLO | | | | 1 | 1 | |
| 13 | 6J8-45378-00 | NIPPLE, HOSE NIPLE MANGUERA | | | | 1 | 1 | |
| 14 | 6E5-45321-00 | PLATE PLACA | | | | 1 | 1 | |
| 15 | 93210-58144 | O-RING ANILLO O | | | | 1 | 1 | |
| 16 | 93106-09014 | OIL SEAL SELLO ACEITE | | | | 1 | 1 | |
| 17 | 90119-06M10 | BOLT, WITH WASHER TORNILLO CON ARANDELA | | | | 3 | 3 | |
| 18 | 6K1-44150-01 | SHIFT CAM ASSY CONJUNTO EJE LEVA COMPL. | | | | 1 | 1 | |
| 19 | 99001-08600 | CIRCLIP PRESILLA REDONDA | | | | 1 | 1 | |
| 20 | 90501-11M10 | SPRING, COMPRESSION RESORTE DE COMPRESION | | | | 1 | 1 | |

COUNTER ROTATION

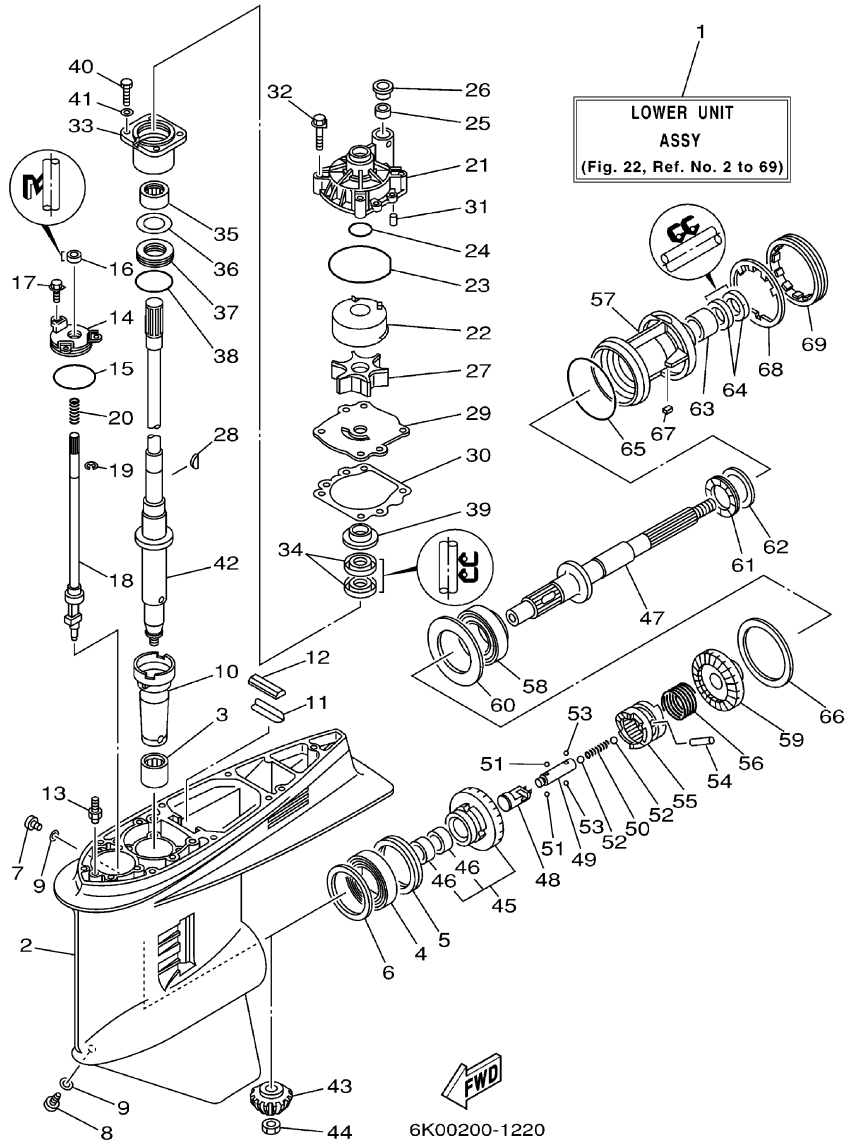
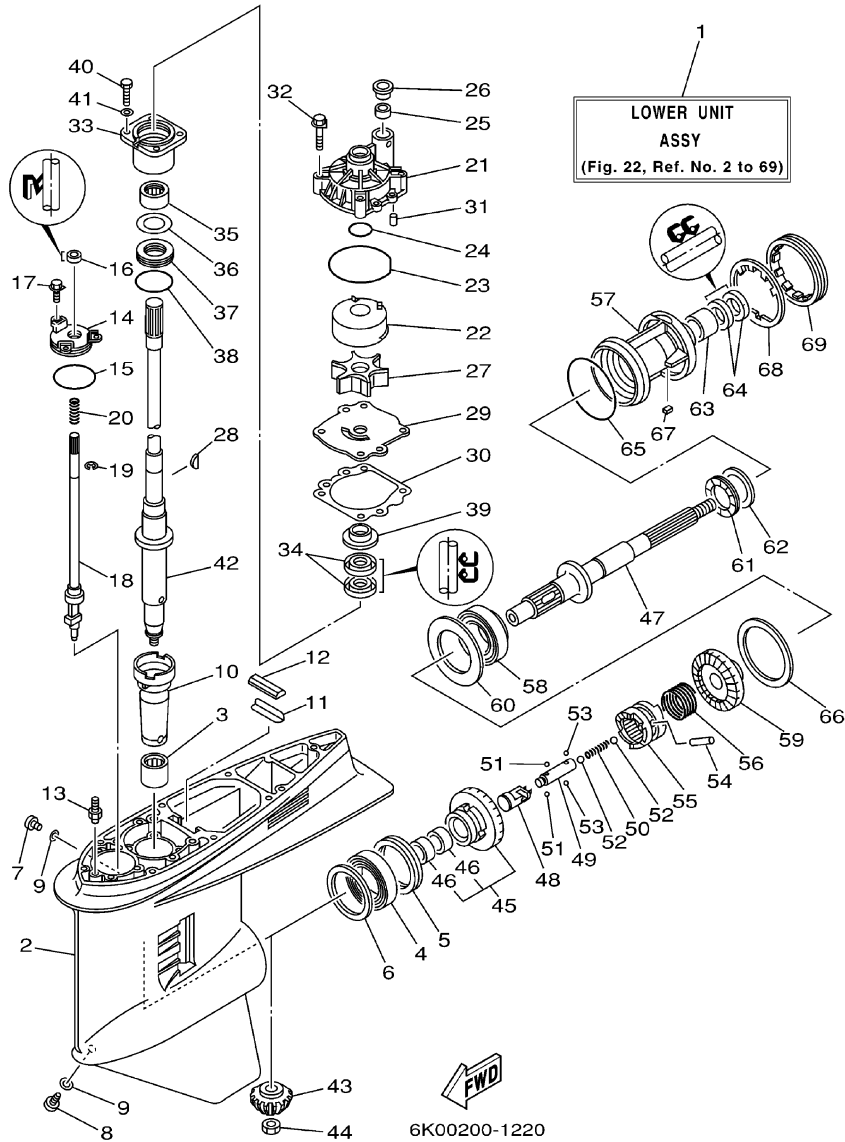


FIG. 22 LOWER CASING, DRIVE 3 IMPULSOR E INFERIOR 3

| REF. NO. | PART NO. CODIGO NO. | DESCRIPTION DESCRIPTION | 150A | 175A | 200A | L150 | L200 | REMARKS OBSERVACION |
|----------|---------------------|--|------|------|------|------|------|---------------------|
| 21 | 61A-44311-01 | HOUSING, WATER PUMP CAJA BOMBA DE AGUA | | | | 1 | 1 | |
| 22 | 61A-44322-02 | INSERT, CARTRIDGE CARTUCHO | | | | 1 | 1 | FOR STD |
| 23 | 93210-86M38 | O-RING ANILLO O | | | | 1 | 1 | |
| 24 | 93210-37160 | O-RING ANILLO O | | | | 1 | 1 | |
| 25 | 6E5-44365-00 | DAMPER, WATER SEAL HULE DE SELLO DE AGUA | | | | 1 | 1 | |
| 26 | 6E5-44312-00 | COVER, WATER PUMP HOUSING CUBIERTA CAJA BOMBA DE AGUA | | | | 1 | 1 | |
| 27 | 6E5-44352-01 | IMPELLER IMPULSOR | | | | 1 | 1 | |
| 28 | 90280-04M05 | KEY, WOODRUFF CUNA WOODRUFF | | | | 1 | 1 | |
| 29 | 6G5-44323-00 | OUTER PLATE, CARTRIDGE PLACA EXTERIOR DEL CARTUCHO | | | | 1 | 1 | FOR STD |
| 30 | 6E5-44315-A0 | GASKET, WATER PUMP EMPAQUE | | | | 1 | 1 | |
| 31 | 93606-12019 | PIN, DOWEL PASADOR DE CLAVIJA | | | | 2 | 2 | |
| 32 | 90119-08M14 | BOLT, WITH WASHER TORNILLO CON ARANDELA | | | | 4 | 4 | |
| 33 | 6E5-45331-00-94 | HOUSING, BEARING CAJA DE COJINETE | | | | 1 | 1 | |
| 34 | 93101-28M16 | OIL SEAL SELLO ACEITE | | | | 2 | 2 | |
| 35 | 93317-330U2 | BEARING COJINETE | | | | 1 | 1 | |
| 36 | 6E5-45587-01-10 | SHIM (T:0.10MM) LAINA (T:0.10MM) | | | | 1 | 1 | UR |
| | 6E5-45587-01-12 | SHIM (T:0.12MM) LAINA (T:0.12MM) | | | | 1 | 1 | UR |
| | 6E5-45587-01-15 | SHIM (T:0.15MM) LAINA (T:0.15MM) | | | | 1 | 1 | UR |
| | 6E5-45587-01-18 | SHIM (T:0.18MM) LAINA (T:0.18MM) | | | | 1 | 1 | UR |
| | 6E5-45587-01-30 | SHIM (T:0.30MM) LAINA (T:0.30MM) | | | | 1 | 1 | UR |
| | 6E5-45587-01-40 | SHIM (T:0.40MM) LAINA (T:0.40MM) | | | | 1 | 1 | UR |
| | 6E5-45587-01-50 | SHIM (T:0.50MM) LAINA (T:0.50MM) | | | | 1 | 1 | UR |
| 37 | 93341-930V2 | BEARING COJINETE | | | | 1 | 1 | |
| 38 | 93210-55M14 | O-RING ANILLO O | | | | 1 | 1 | |
| 39 | 6E5-45344-00 | COVER, OIL SEAL CUBIERTA SELLO ACEITE | | | | 1 | 1 | |
| 40 | 97095-08025 | BOLT PERNO | | | | 4 | 4 | |
| 41 | 92995-08600 | WASHER ARANDELA | | | | 4 | 4 | |

COUNTER ROTATION

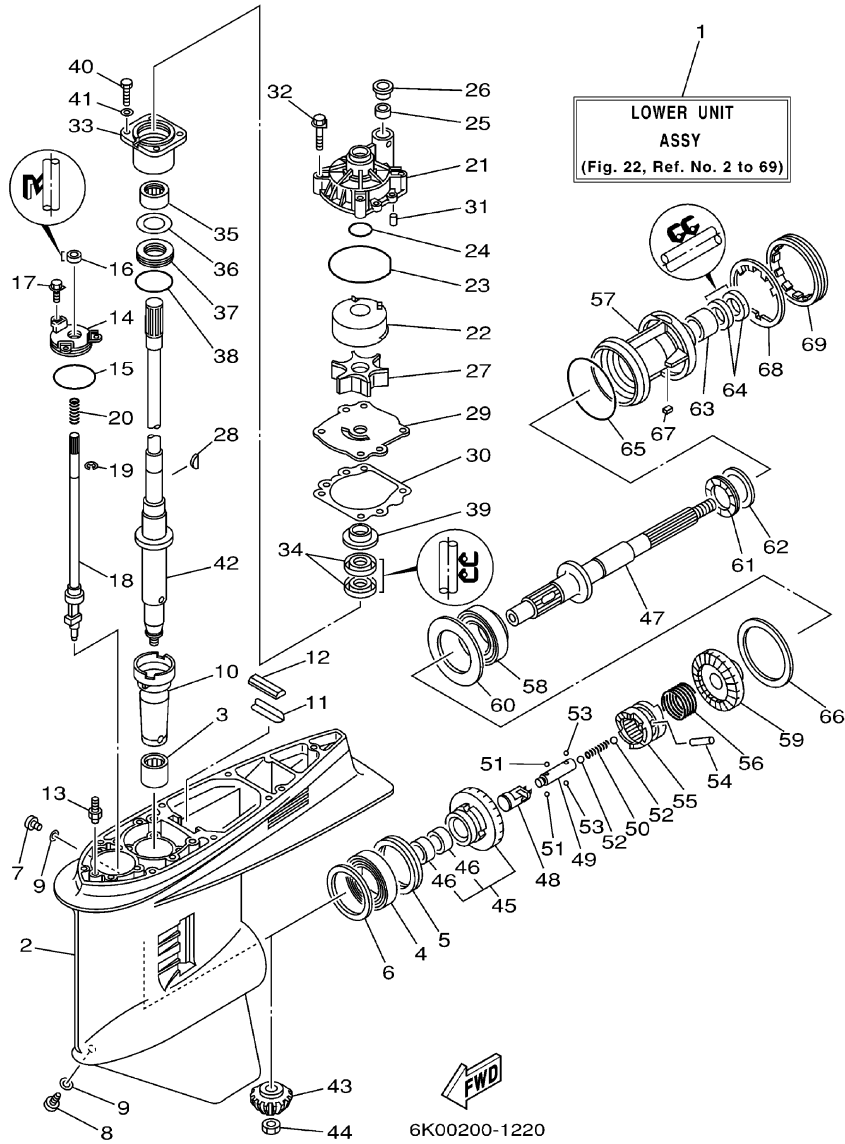


6K00200-1220

FIG. 22 LOWER CASING, DRIVE 3 IMPULSOR E INFERIOR 3

| REF. NO. | PART NO. CODIGO NO. | DESCRIPTION DESCRIPTION | 150A | 175A | 200A | L150 | L200 | REMARKS OBSERVACION |
|----------|---------------------|---|------|------|------|------|------|---------------------|
| 42 | 6G5-45501-21 | DRIVE SHAFT COMP. EJE DE MANDO COMPL. | | | | 1 | 1 | X |
| 43 | 6G5-45551-01 | PINION PINON | | | | 1 | | |
| | 6G5-45551-10 | PINION PINON | | | | | 1 | |
| 44 | 90170-16M01 | NUT TUERCA | | | | 1 | 1 | |
| 45 | 6K1-45560-01 | GEAR ENGRANE COMPLE 1 | | | | 1 | 1 | |
| 46 | 93315-425V3 | BEARING COJINETE | | | | 2 | 2 | |
| 47 | 6K1-45611-10 | SHAFT, PROPELLER EJE PROPUSOR | | | | 1 | 1 | |
| 48 | 6K1-45641-01 | SHIFTER CAMBIO | | | | 1 | 1 | |
| 49 | 6E5-45634-01 | SLIDE, SHIFT DESLIZADOR, CAMBIO | | | | 1 | 1 | |
| 50 | 90501-16M37 | SPRING, COMPRESSION RESORTE DE COMPRESION | | | | 1 | 1 | |
| 51 | 93507-32009 | BALL BOLA | | | | 2 | 2 | |
| 52 | 93511-32017 | BALL BOLA | | | | 2 | 2 | |
| 53 | 93503-16003 | BALL BOLA | | | | 2 | 2 | |
| 54 | 90250-08M07 | PIN, STRAIGHT PASADOR CILINDRICO | | | | 1 | 1 | |
| 55 | 6G5-45631-00 | CLUTCH, DOG EMBRAGUE DE GARRA | | | | 1 | | |
| | 6G5-45631-10 | CLUTCH, DOG EMBRAGUE DE GARRA | | | | | 1 | |
| 56 | 6E5-45633-01 | RING, CROSS PIN ANILLO DE PASADOR | | | | 1 | 1 | |
| 57 | 6K1-45332-01-94 | HOUSING, BEARING CAJA BALERO 2 | | | | 1 | 1 | |
| 58 | 93332-00048 | BEARING COJINETE | | | | 1 | 1 | |
| 59 | 6K1-45570-01 | GEAR ENGRANE COMPL 2 | | | | 1 | | |
| | 6K1-45570-20 | GEAR ENGRANE COMPL 2 | | | | | 1 | |
| 60 | 6K1-45576-00 | WASHER, THRUST ARANDELA DE EMPUJE AXIAL | | | | 1 | 1 | |
| 61 | 93341-440U5 | BEARING COJINETE | | | | 1 | 1 | |
| 62 | 6K1-45578-01-10 | SHIM (T:0.10MM) LAINA (T:0.10MM) | | | | 1 | 1 | UR |
| | 6K1-45578-01-12 | SHIM (T:0.12MM) LAINA (:0.12MM) | | | | 1 | 1 | UR |
| | 6K1-45578-01-15 | SHIM (T:0.15MM) LAINA (T:0.15MM) | | | | 1 | 1 | UR |
| | 6K1-45578-01-18 | SHIM (T:0.18MM) LAINA (T:0.18MM) | | | | 1 | 1 | UR |

COUNTER ROTATION

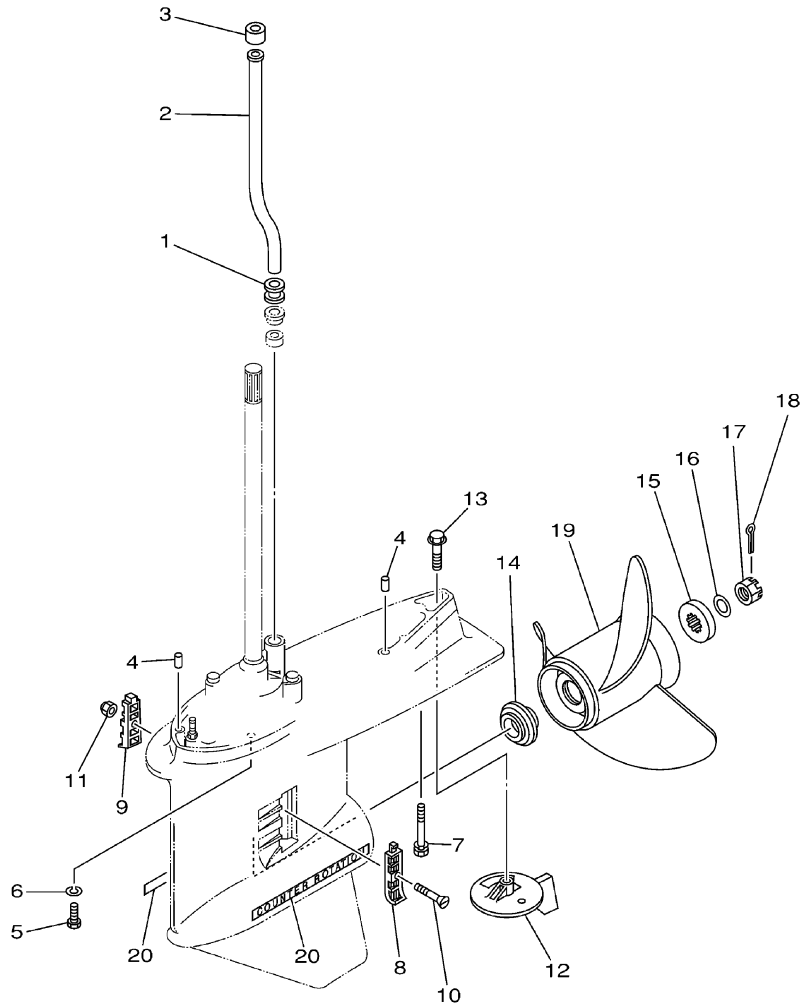


6K00200-1220

FIG. 22 LOWER CASING, DRIVE 3 IMPULSOR E INFERIOR 3

| REF. NO. | PART NO. CODIGO NO. | DESCRIPTION DESCRIPTION | 150A | 175A | 200A | L150 | L200 | REMARKS OBSERVACION |
|----------|---------------------|-------------------------------------|------|------|------|------|------|---------------------|
| 62 | 6K1-45578-01-30 | SHIM (T:0.30MM) LAINA (T:0.30MM) | | | | 1 | 1 | UR |
| | 6K1-45578-01-40 | SHIM (T:0.40MM) LAINA (T:0.40MM) | | | | 1 | 1 | UR |
| | 6K1-45578-01-50 | SHIM (T:0.50MM) LAINA (T:0.50MM) | | | | 1 | 1 | UR |
| 63 | 93315-430U8 | BEARING COJINETE | | | | 1 | 1 | |
| 64 | 93101-30M17 | OIL SEAL SELLO ACEITE | | | | 2 | 2 | |
| 65 | 93210-97M55 | O-RING ANILLO O | | | | 1 | 1 | |
| 66 | 6G5-45577-02-10 | SHIM (T:0.10MM) LAINA (T:0.10MM) | | | | 1 | 1 | UR |
| | 6G5-45577-02-12 | SHIM (T:0.12MM) LAINA (T:0.12MM) | | | | 1 | 1 | UR |
| | 6G5-45577-02-15 | SHIM (T:0.15MM) LAINA (T:0.15MM) | | | | 1 | 1 | UR |
| | 6G5-45577-02-18 | SHIM (T:0.18MM) LAINA (T:0.18MM) | | | | 1 | 1 | UR |
| | 6G5-45577-02-30 | SHIM (T:0.30MM) LAINA (T:0.30MM) | | | | 1 | 1 | UR |
| | 6G5-45577-02-40 | SHIM (T:0.40MM) LAINA (T:0.40MM) | | | | 1 | 1 | UR |
| | 6G5-45577-02-50 | SHIM (T:0.50MM) LAINA (T:0.50MM) | | | | 1 | 1 | UR |
| 67 | 90282-04M00 | KEY, STRAIGHT CHAVETA, RECTA | | | | 1 | 1 | |
| 68 | 6G5-45383-01 | WASHER, CLAW ARANDELA DE UNA | | | | 1 | 1 | |
| 69 | 6G5-45384-00 | NUT TUERCA | | | | 1 | 1 | |

COUNTER ROTATION



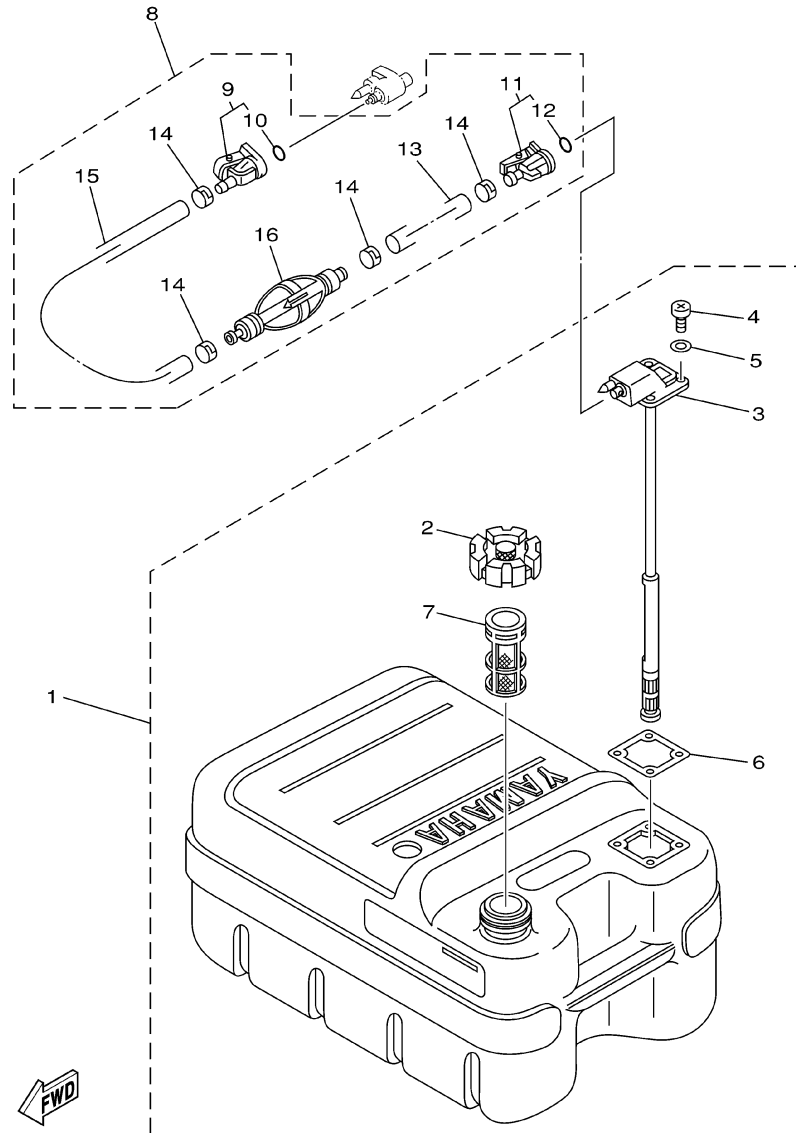
67J0100-1280

FIG. 23 LOWER CASING, DRIVE 4 IMPULSOR E INFERIOR 4

| REF. NO. | PART NO. CODIGO NO. | DESCRIPTION DESCRIPTION | 150A | 175A | 200A | L150 | L200 | REMARKS OBSERVACION |
|----------|---------------------|---|------|------|------|------|------|---------------------|
| 1 | 6E5-44366-00 | DAMPER, WATER SEAL GOMA DEL SELLO DE AGUA | | | | 1 | 1 | |
| 2 | 6E5-44361-20 | TUBE, WATER TUBO DE AGUA | | | | 1 | 1 | X |
| 3 | 6E5-44365-00 | DAMPER, WATER SEAL HULE DE SELLO DE AGUA | | | | 1 | 1 | |
| 4 | 93608-12M05 | PIN, DOWEL PASADOR DE CLAVIJA | | | | 2 | 2 | |
| 5 | 97075-10045 | BOLT PERNO | | | | 6 | 6 | |
| 6 | 92995-10100 | WASHER ARANDELA | | | | 6 | 6 | |
| 7 | 90119-10M89 | BOLT, WITH WASHER TORNILLO CON ARANDELA | | | | 1 | 1 | |
| 8 | 6J9-45214-00 | COVER, WATER INLET CUBIERTA ENTRADA AGUA | | | | 1 | 1 | |
| 9 | 6J9-45215-00 | COVER, WATER INLET CUBIERTA ENTRADA AGUA | | | | 1 | 1 | |
| 10 | 90152-05M08 | SCREW, COUNTERSUNK TORNILLO EMBUTIDO | | | | 1 | 1 | |
| 11 | 90185-05002 | NUT, SELF-LOCKING TUERCA AUTOBLOCANTE | | | | 1 | 1 | |
| 12 | 6K1-45371-02 | TAB-TRIM QUILLA ESTABILIZADOR | | | | 1 | 1 | |
| 13 | 90105-10M00 | BOLT, FLANGE TORNILLO | | | | 1 | 1 | |
| 14 | 6E5-45987-01 | SPACER ESPACIADOR | | | | 1 | 1 | |
| 15 | 688-45997-01 | SPACER ESPACIADOR | | | | 1 | 1 | |
| 16 | 92990-18200 | WASHER ARANDELA | | | | 1 | 1 | |
| 17 | 90171-18M04 | NUT, CASTLE TUERCA ENTALLADA | | | | 1 | 1 | |
| 18 | 91490-40030 | PIN, COTTER PASADOR DE CHAVETA | | | | 1 | 1 | |
| 19 | 6K1-45970-01-98 | PROPELLER (3X15-1/4"X15"-ML) HELICE (3X15-1/4"X15"-ML) | | | | 1 | 1 | UR |
| | 6K1-45972-01-98 | PROPELLER (3X13-3/4"X21"-ML) HELICE (3X13-3/4"X21"-ML) | | | | 1 | 1 | UR |
| | 6K1-45974-02-98 | PROPELLER (3X13-3/4"X19"-ML1) HELICE (3X13-3/4"X19"-ML1) | | | | 1 | 1 | UR |
| | 6K1-45978-02-98 | PROPELLER (3X13-3/4"X17"-ML1) HELICE (3X13-3/4"X17"-ML1) | | | | 1 | 1 | UR |
| 20 | 6K1-45392-00 | GRAPHIC, LOWER CALCOMANIA | | | | 2 | 2 | |

FIG. 24 FUEL TANK

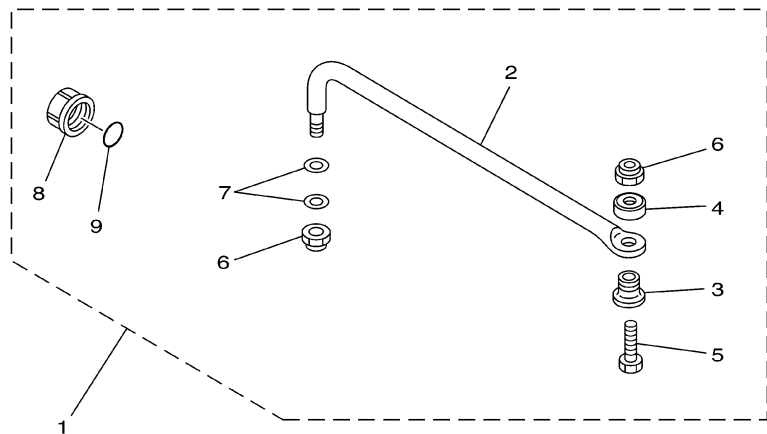
DEPOSITO DE COMBUSTIBLE



6E50700-0210

| REF. NO. | PART NO. CODIGO NO. | DESCRIPTION DESCRIPTION | 150A | 175A | 200A | L150 | L200 | REMARKS OBSERVACION |
|----------|---------------------|--|------|------|------|------|------|--------------------------------|
| 1 | 6YJ-24201-10 | FUEL TANK ASSY (24L) TANQUE DEL COMBUSTIBLE (24L) | 1 | | 1 | | | AP FOR CHINA WITH INDICATOR |
| 2 | 6YJ-24610-01 | .CAP ASSY .TAPA COMPLETA | 1 | | 1 | | | |
| 3 | 6Y1-24260-12 | .FUEL METER ASSY .MEDIDOR DE COMBUSTIBLE COMPL. | 1 | | 1 | | | |
| 4 | 98586-05016 | .SCREW, PAN HEAD .TORNILLO DE CABEZA CON PLANA | 4 | | 4 | | | |
| 5 | 6Y1-24329-00 | .SEAL .SELLO | 4 | | 4 | | | |
| 6 | 6Y1-24268-00 | .GASKET, FUEL METER .EMPAQ MEDIDOR DE COMBUSTIBLE | 1 | | 1 | | | |
| 7 | 6YJ-24167-00 | .STRAINER .COLADOR | 1 | | 1 | | | |
| 8 | 6Y2-24306-07 | FUEL PIPE COMP. 1 TUBO COMBUST. COMPL 1 | 1 | | 1 | | | AP FOR CHINA |
| 9 | 6E5-24305-04 | .FUEL PIPE JOINT COMP. 2 .CONECTOR MANGUERA COMBUST.2 | 1 | | 1 | | | |
| 10 | 93210-08287 | ..O-RING ..ANILLO O | 1 | | 1 | | | |
| 11 | 6Y2-24305-04 | .FUEL PIPE JOINT COMP. 2 .CONECTOR MANGUERA COMBUST.2 | 1 | | 1 | | | |
| 12 | 93210-08287 | ..O-RING ..ANILLO O | 1 | | 1 | | | |
| 13 | 90445-13M01 | .HOSE (L:2050) .MANGUERA (L:2050) | 1 | | 1 | | | |
| 14 | 6E5-24351-50 | BAND 1 .ABRAZADERA 1 | 4 | | 4 | | | |
| 15 | 90445-13M00 | .HOSE (L850) .MANGUERA (L850) | 1 | | 1 | | | |
| 16 | 6Y2-24360-02 | .PRIMER PUMP ASSY .SOPORTE BOMBA | 1 | | 1 | | | |

FIG. 25 STEERING GUIDE ATTACHMENT 1 ADITAMENTO GUIA DE GOBIERNO 1

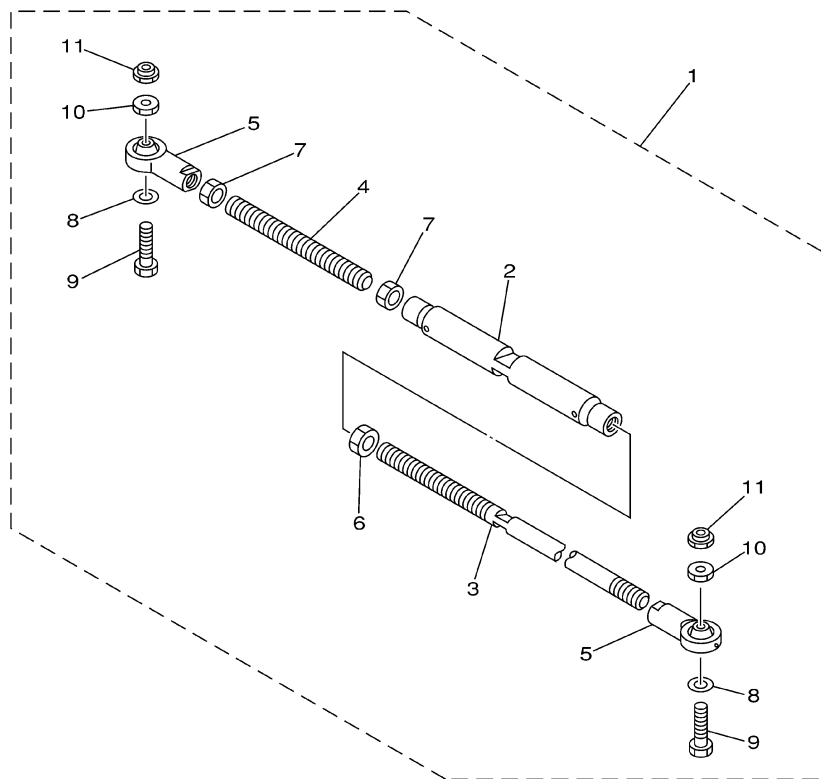


| REF. NO. | PART NO. CODIGO NO. | DESCRIPTION DESCRIPTION | 150A | 175A | 200A | L150 | L200 | REMARKS OBSERVACION |
|----------|---------------------|---|------|------|------|------|------|---------------------|
| 1 | 6E5-61350-02 | STEERING GUIDE ATTACHMENT KIT ESTUCHE ADITAMENTO GUIA DE TIM | 1 | 1 | 1 | | | AP |
| 2 | 6E5-61351-01 | .ROD, STEERING LINK .VARILLA ESLABON DIRECCION | 1 | 1 | 1 | | | |
| 3 | 90387-10M61 | .COLLAR .COLLAR | 1 | 1 | 1 | | | |
| 4 | 90560-12M01 | .SPACER .SEPARADOR | 1 | 1 | 1 | | | |
| 5 | 6E5-61355-00 | .BOLT .TORNILLO | 1 | 1 | 1 | | | |
| 6 | 90185-09M01 | .NUT, SELF-LOCKING .TUERCA AUTOBLOCANTE | 2 | 2 | 2 | | | |
| 7 | 90201-10M20 | .WASHER, PLATE .ARANDELA PLANA | 2 | 2 | 2 | | | |
| 8 | 6E5-43145-01 | .CAP, CLAMP BRACKET .TAPA | 1 | 1 | 1 | | | |
| 9 | 93210-16275 | .O-RING .ANILLO O | 1 | 1 | 1 | | | |

67H0100-9290

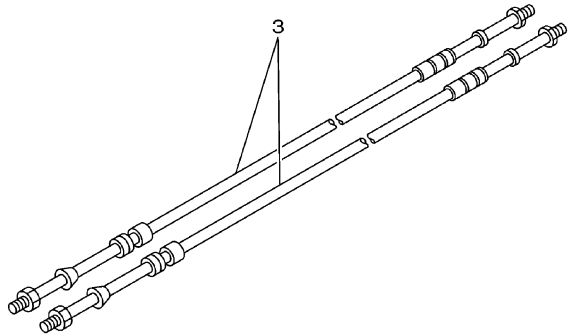
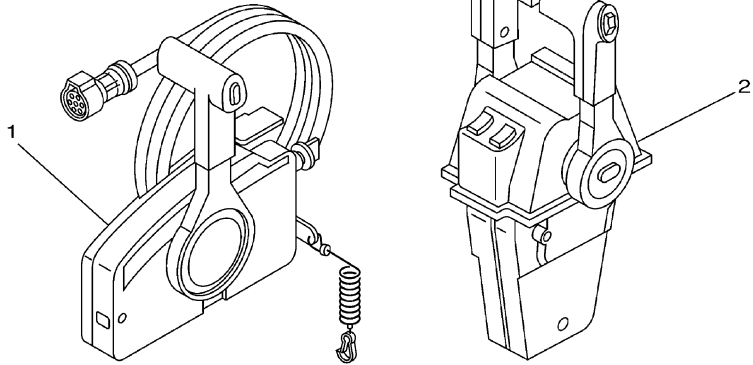
FIG. 26 STEERING GUIDE ATTACHMENT 2

ADITAMENTO GUIA DE GOBIERNO 2



| REF. NO. | PART NO. CODIGO NO. | DESCRIPTION DESCRIPTION | 150A | 175A | 200A | L150 | L200 | REMARKS OBSERVACION |
|----------|---------------------|--|------|------|------|------|------|---------------------|
| 1 | 6E5-61301-01 | TWIN KIT (L:600-800MM) KIT ADITAMENTO (L:600-800MM) | | | | 1 | 1 | AP |
| 2 | 6E5-61313-00 | .ADJUSTER .AJUSTADOR | | | | 1 | 1 | |
| 3 | 6E5-61311-11 | .TIE BAR .BARRA SEPARADORA | | | | 1 | 1 | |
| 4 | 6E5-61315-00 | .TIE BAR .ROTOR DE BOMBA AGUA | | | | 1 | 1 | |
| 5 | 6E5-61303-00 | .STEERING EYE COMP. .OJO DIRECCION COMPL. | | | | 2 | 2 | |
| 6 | 90170-14M06 | .NUT .TUERCA | | | | 1 | 1 | |
| 7 | 95380-14700 | .NUT .TUERCA | | | | 2 | 2 | |
| 8 | 90201-10M76 | .WASHER, PLATE .ARANDELA PLANA | | | | 2 | 2 | |
| 9 | 90101-09M70 | .BOLT .TORNILLO | | | | 2 | 2 | |
| 10 | 90170-09M05 | .NUT .TUERCA | | | | 2 | 2 | |
| 11 | 90185-09M01 | .NUT, SELF-LOCKING .TUERCA AUTOBLOCANTE | | | | 2 | 2 | |

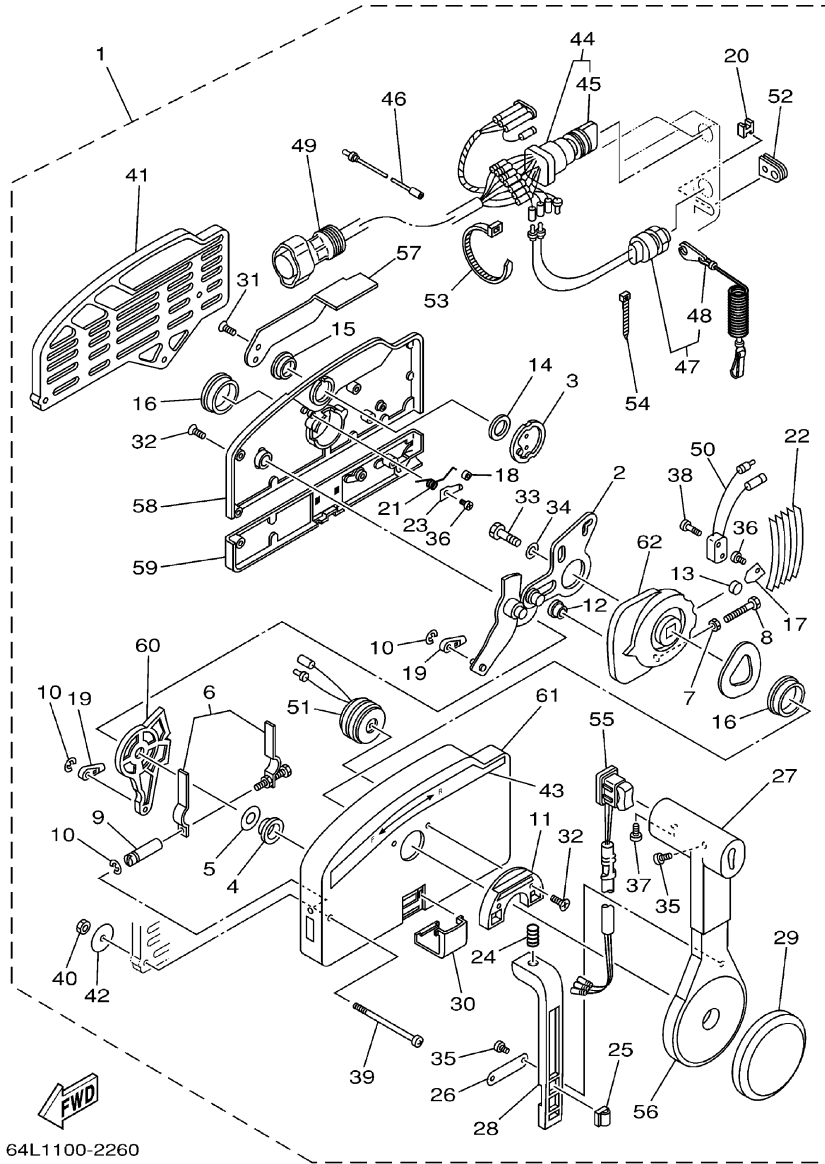
67H0100-0300



67H0100-9310

FIG. 27 REMOTE CONTROL BOX CONTROL REMOTO COMPL.

| REF. NO. | PART NO. CODIGO NO. | DESCRIPTION DESCRIPTION | 150A | 175A | 200A | L150 | L200 | REMARKS OBSERVACION |
|----------|---------------------|---|------|------|------|------|------|---------------------|
| 1 | 703-48205-17 | REMOTE CONTROL ASSY REMOTO CONTROL COMPL. | 1 | 1 | 1 | | | AP WITH PT/T SW. |
| 2 | 704-48207-23 | REMOTE CONTROL ASSY COMANDO REMOTO | | | | 1 | 1 | AP WITH PT/T SW. |
| 3 | 701-48320-00 | CABLE, REMOTE CONTROL L=12F CABLE CONTROL REMOTO L=12F | 2 | 2 | 2 | 2 | 2 | UR |
| | 701-48320-50 | CABLE, REMOTE CONTROL L=15F CABLE CONTROL REMOTO L=15F | 2 | 2 | 2 | 2 | 2 | UR |
| | 701-48320-80 | CABLE, REMOTE CONTROL L=17F CABLE CONTROL REMOTO L=17F | 2 | 2 | 2 | 2 | 2 | UR |
| | 701-48320-90 | CABLE, REMOTE CONTROL L=18F CABLE CONTROL REMOTO L=18F | 2 | 2 | 2 | 2 | 2 | UR |
| | 701-48320-40 | CABLE, REMOTE CONTROL L=19F CABLE CONTROL REMOTO L=19F | 2 | 2 | 2 | 2 | 2 | UR |
| | 701-48320-70 | CABLE, REMOTE CONTROL L=20F CABLE CONTROL REMOTO L=20F | 2 | 2 | 2 | 2 | 2 | UR |
| | 701-48350-20 | CABLE, REMOTE CONTROL L=23F CABLE CONTROL REMOTO L=23F | 2 | 2 | 2 | 2 | 2 | UR |

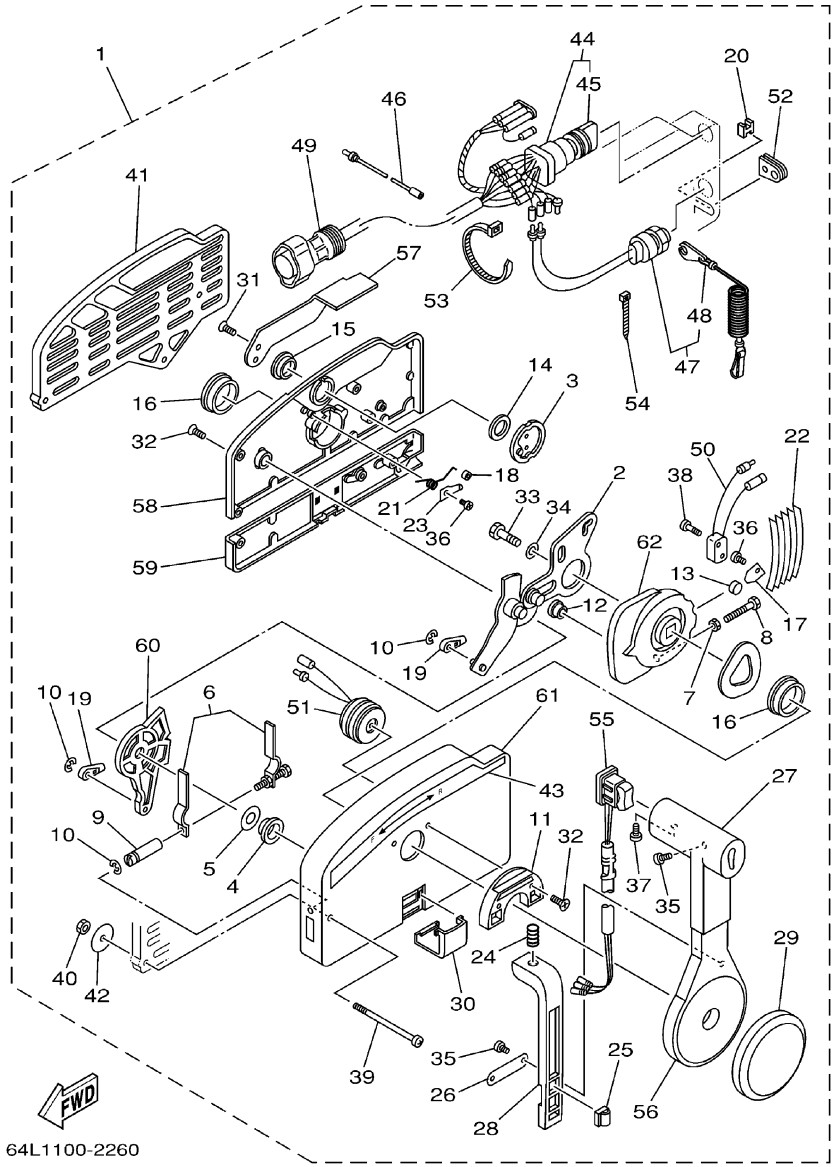


64L1100-2260



FIG. 28 REMOTE CONTROL ASSY 1 CONTROL REMOTO COMPL. 1

| REF. NO. | PART NO. CODIGO NO. | DESCRIPTION DESCRIPTION | 150A | 175A | 200A | L150 | L200 | REMARKS OBSERVACION |
|----------|---------------------|--|------|------|------|------|------|---------------------|
| 1 | 703-48205-17 | REMOTE CONTROL ASSY REMOTO CONTROL COMPL. | 1 | 1 | 1 | | | AP WITH PT/T SW. |
| 2 | 703-48261-01 | .ARM, THROTTLE .BRAZO ACELERADOR | 1 | 1 | 1 | | | |
| 3 | 703-48153-00 | .SHAFT, FREE ACCEL. .EJE | 1 | 1 | 1 | | | |
| 4 | 703-48235-00 | .BUSHING .BUJE | 1 | 1 | 1 | | | |
| 5 | 703-48268-00 | .SPACER .ESPACIADOR 3 | 1 | 1 | 1 | | | |
| 6 | 703-48264-00 | .THROTTLE, FRICTION .FRICCION ACELERADOR | 1 | 1 | 1 | | | |
| 7 | 95380-05600 | .NUT .TUERCA | 1 | 1 | 1 | | | |
| 8 | 97380-05025 | .BOLT .PERNO | 1 | 1 | 1 | | | |
| 9 | 703-48265-00 | .SHAFT, FRICTION .EJE FRICCION | 1 | 1 | 1 | | | |
| 10 | 93430-06024 | .CIRCLIP .BOLA | 3 | 3 | 3 | | | |
| 11 | 703-48245-00 | .PLATE, LOCK .PLACA CERRADURA | 1 | 1 | 1 | | | |
| 12 | 703-48252-00 | .ROLLER, CAM .RODILLO LEVA | 1 | 1 | 1 | | | |
| 13 | 701-48248-00 | .ROLLER, FREE ACCEL. .RODILLO ACELERADOR LIBRE | 1 | 1 | 1 | | | |
| 14 | 703-48198-00 | .WASHER, WAVE .RONDANA ONDULADA 3 | 1 | 1 | 1 | | | |
| 15 | 703-48243-00 | .BUSHING .BUJE 3 | 1 | 1 | 1 | | | |
| 16 | 703-48236-00 | .BUSHING 1 .BUJE | 2 | 2 | 2 | | | |
| 17 | 703-48189-00 | .RETAINER .RETENEDOR | 1 | 1 | 1 | | | |
| 18 | 703-48234-00 | .ROLLER, DETENT .RODILLO | 1 | 1 | 1 | | | |
| 19 | 703-48345-01 | .CABLE END, REMOTE CONTROL 2 .TERMINAL CABLE DE CONTROL REM | 2 | 2 | 2 | | | |
| 20 | 703-48358-00 | .ANCHOR, CABLE .ABRAZADERA CABLE | 1 | 1 | 1 | | | |
| 21 | 703-48244-00 | .SPRING, FREE ACCEL. .RESORTE ACELERADOR LIBRE | 1 | 1 | 1 | | | |
| 22 | 703-48238-00 | .SPRING, DETENT .RESORTE | 5 | 5 | 5 | | | |
| 23 | 703-48246-00 | .SPACER .ESPACIADOR | 1 | 1 | 1 | | | |
| 24 | 703-48227-00 | .SPRING, NEUTRAL LOCK .RESORTE DE SEGURO | 1 | 1 | 1 | | | |
| 25 | 703-82594-00 | .CLAMP .GRAMPA | 1 | 1 | 1 | | | WITH PT/T SW. |
| 26 | 703-48226-00 | .PLATE, STOPPER .PLACA RETEN | 1 | 1 | 1 | | | |
| 27 | 703-48222-00 | .GRIP, CONTROL LEVER .MANGO DE PALANCA CONTROL | 1 | 1 | 1 | | | SINGLE |

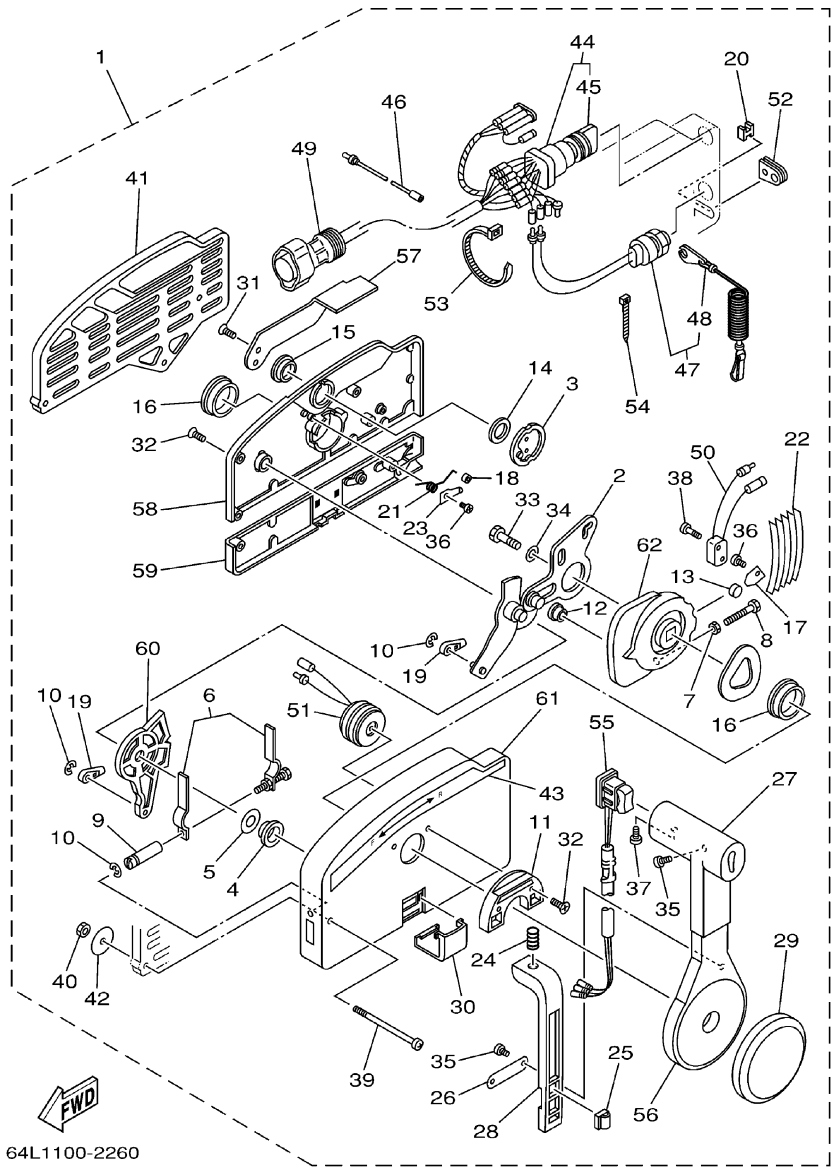


64L1100-2260

FIG. 28 REMOTE CONTROL ASSY 1 CONTROL REMOTO COMPL. 1

| REF. NO. | PART NO. CODIGO NO. | DESCRIPTION DESCRIPTION | 150A | 175A | 200A | L150 | L200 | REMARKS OBSERVACION |
|----------|---------------------|--|------|------|------|------|------|---------------------|
| 28 | 703-48223-00 | .LOCK, NEUTRAL .CERRADURA NEUTRO | 1 | 1 | 1 | | | |
| 29 | 703-48225-00 | .COVER .CUBIERTA | 1 | 1 | 1 | | | |
| 30 | 703-48219-00 | .COVER, LEAD .CUBIERTA | 1 | 1 | 1 | | | |
| 31 | 703-48281-00 | .SCREW .TORNILLO 1 | 2 | 2 | 2 | | | |
| 32 | 703-48282-00 | .SCREW .TORNILLO 2 | 7 | 7 | 7 | | | |
| 33 | 97380-08030 | .BOLT .PERNO | 1 | 1 | 1 | | | |
| 34 | 92990-08600 | .WASHER, PLATE .ARANDELA | 1 | 1 | 1 | | | |
| 35 | 98580-04010 | .SCREW, PAN HEAD .TORNILLO DE CABEZA CON PLANA | 3 | 3 | 3 | | | |
| 36 | 98580-04006 | .SCREW, PAN HEAD .TORNILLO DE CABEZA CON PLANA | 2 | 2 | 2 | | | |
| 37 | 98580-05010 | .SCREW, PAN HEAD .TORNILLO DE CABEZA CON PLANA | 1 | 1 | 1 | | | |
| 38 | 98580-03015 | .SCREW, PAN HEAD .TORNILLO DE CABEZA CON PLANA | 2 | 2 | 2 | | | |
| 39 | 703-48291-10 | .SCREW (M6) .TORNILLO (M6) | 3 | 3 | 3 | | | |
| 40 | 95380-06600 | .NUT, HEXAGON .TUERCA | 3 | 3 | 3 | | | |
| 41 | 703-48293-10 | .SPACER, REMOTE CONTROL .ESPACIADOR | 1 | 1 | 1 | | | SINGLE |
| 42 | 701-48287-00 | .WASHER .ARANDELA | 3 | 3 | 3 | | | |
| 43 | 703-48215-00 | .GRAPHIC .CALCOMANIA 1 | 1 | 1 | 1 | | | |
| 44 | 703-82510-43 | .MAIN SWITCH ASSY .CONJUNTO DE LLAVE IGNICION | 1 | 1 | 1 | | | |
| 45 | 703-82577-00 | .CAP, KEY .TAPA | 1 | 1 | 1 | | | |
| 46 | 703-82531-00 | .WIRE, LEAD .CABLE CONDUCTOR | 1 | 1 | 1 | | | |
| 47 | 688-82575-01 | .ENGINE STOP SWITCH ASSY .INTERRUPTOR DE PARADA COMPL | 1 | 1 | 1 | | | |
| 48 | 682-82556-00 | .STOPPER .RETENER | 1 | 1 | 1 | | | |
| 49 | 688-8258A-20 | .EXTENSION, WIRE HARNESS .EXTENSION, ARNES DE CABLES | 1 | 1 | 1 | | | L:5M (10P) |
| 50 | 703-82540-00 | .NEUTRAL SWITCH ASSY .INTERRUPTOR NEUTRAL COMPL | 1 | 1 | 1 | | | |
| 51 | 703-83383-02 | .BUZZER .ZUMBADOR | 1 | 1 | 1 | | | |
| 52 | 703-48284-00 | .GROMMET .TAPON 1 | 1 | 1 | 1 | | | |
| 53 | 703-82591-00 | .BAND .BANDA | 1 | 1 | 1 | | | |
| 54 | 703-82592-00 | .BAND .BANDA | 1 | 1 | 1 | | | |

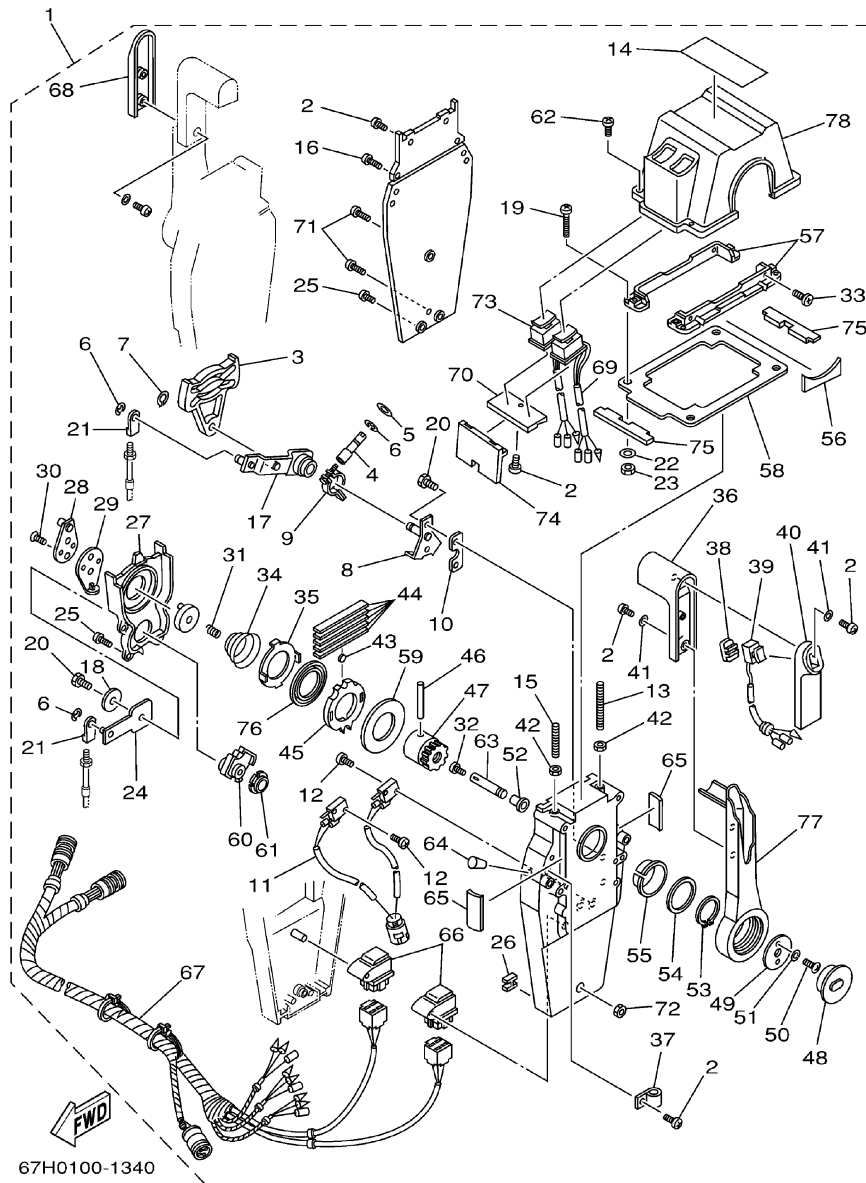
FIG. 28 REMOTE CONTROL ASSY 1 CONTROL REMOTO COMPL. 1



64L1100-2260

| REF. NO. | PART NO. CODIGO NO. | DESCRIPTION DESCRIPTION | 150A | 175A | 200A | L150 | L200 | REMARKS OBSERVACION |
|----------|---------------------|---|------|------|------|------|------|---------------------|
| 55 | 703-82563-02 | .TRIM & TILT SWITCH ASSY .INTERRUPTOR DE INCLINACION | 1 | 1 | 1 | | | |
| 56 | 703-48221-00 | .LEVER, CONTROL .PALANCA CONTROL | 1 | 1 | 1 | | | |
| 57 | 703-48152-00 | .KNOB, FREE ACCEL. .PERILLA | 1 | 1 | 1 | | | |
| 58 | 703-48212-00 | .BACK PLATE 1 .PLACA TRASERA 1 | 1 | 1 | 1 | | | |
| 59 | 703-48213-00 | .BACK PLATE 2 .PLACA TRASERA 2 | 1 | 1 | 1 | | | |
| 60 | 703-48271-00 | .ARM, SHIFT .BRAZO CAMBIADOR | 1 | 1 | 1 | | | |
| 61 | 703-48211-01 | .HOUSING,1 .CAJA | 1 | 1 | 1 | | | |
| 62 | 703-48232-00 | .GEAR .ENGRANAJE 1 | 1 | 1 | 1 | | | |

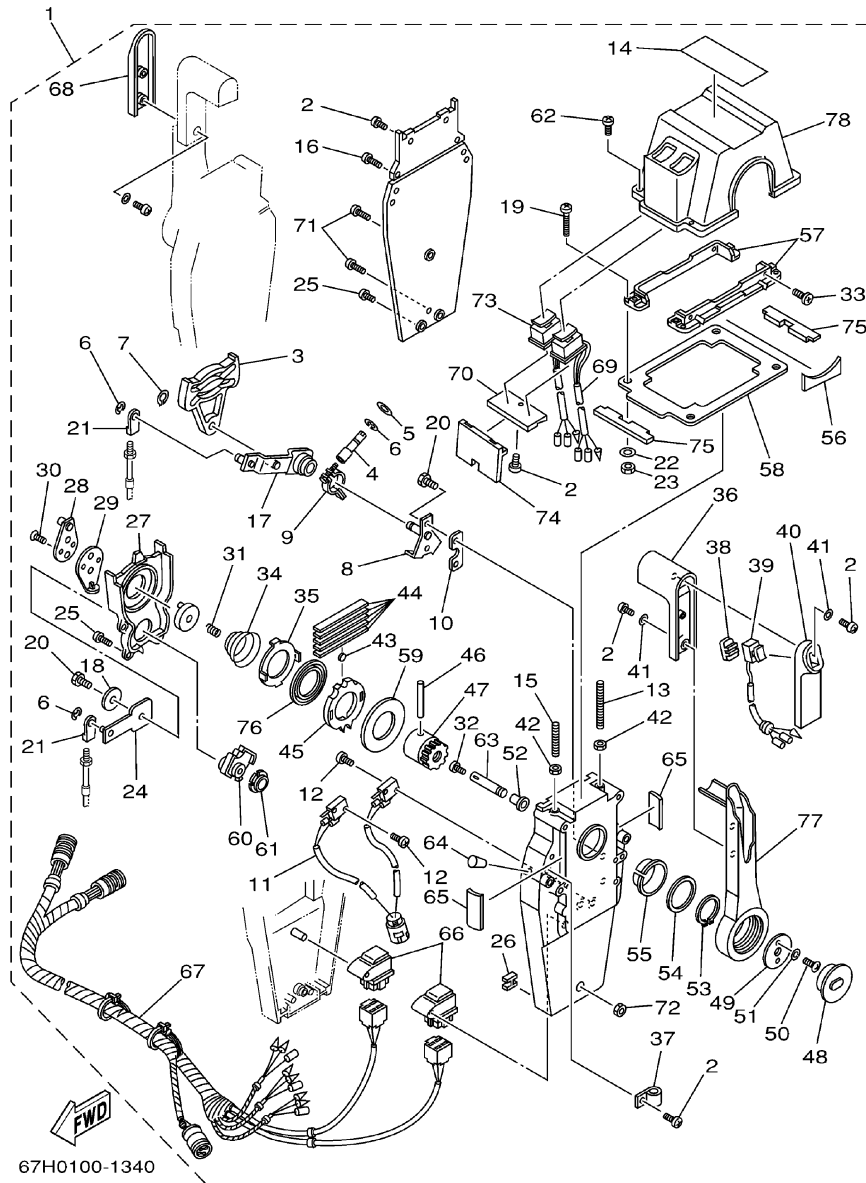
FIG. 29 REMOTE CONTROL ASSY 2 CONTROL REMOTO COMPL. 2



67H0100-1340

| REF. NO. | PART NO. CODIGO NO. | DESCRIPTION DESCRIPTION | 150A | 175A | 200A | L150 | L200 | REMARKS OBSERVACION |
|----------|---------------------|--|------|------|------|------|------|---------------------|
| 1 | 704-48207-23 | REMOTE CONTROL ASSY COMANDO REMOTO | | | | 1 | 1 | AP WITH PT/T SW. |
| 2 | 97890-05016 | .SCREW, PAN HEAD .TORNILLO DE CABEZA CON PLANA | | | | 12 | 12 | |
| 3 | EL8-48251-00 | .PLATE, CAM .PLACA, LEVA | | | | 2 | 2 | |
| 4 | 704-48265-00 | .SHAFT, FRICTION .EJE FRICCION | | | | 2 | 2 | |
| 5 | 701-48246-00 | .SPACER .ESPACIADOR | | | | 2 | 2 | |
| 6 | 93430-06024 | .CIRCLIP .BOLA | | | | 8 | 8 | |
| 7 | EL8-48259-00 | .CIRCLIP 1 .SEGURO | | | | 2 | 2 | |
| 8 | 704-48262-00 | .SHAFT, THROTTLE .EJE DE ACELERADOR | | | | 2 | 2 | |
| 9 | 704-48264-00 | .THROTTLE, FRICTION .FRICCION ACELERADOR | | | | 2 | 2 | |
| 10 | 704-48266-00 | .SPACER .ESPACIADOR 2 | | | | 2 | 2 | |
| 11 | 704-82540-10 | .NEUTRAL SWITCH ASSY .INTERRUPTOR NEUTRAL COMPL | | | | 1 | 1 | |
| 12 | 6A5-48129-10 | .SCREW 3 .TORNILLO 3 | | | | 4 | 4 | |
| 13 | EL8-48281-00 | .SCREW .TORNILLO 1 | | | | 2 | 2 | |
| 14 | 704-48215-10 | .GRAPHIC .CALCOMANIA 1 | | | | 1 | 1 | |
| 15 | 704-48281-00 | .SCREW .TORNILLO 1 | | | | 2 | 2 | |
| 16 | 97890-05025 | .SCREW, PAN HEAD .TORNILLO DE CABEZA CON PLANA | | | | 4 | 4 | |
| 17 | 704-48261-00 | .ARM, THROTTLE .BRAZO ACELERADOR | | | | 2 | 2 | |
| 18 | EL8-48191-00 | .WASHER 1 .ARANDELA | | | | 2 | 2 | |
| 19 | 704-48283-00 | .SCREW .TORNILLO 3 | | | | 4 | 4 | |
| 20 | 97380-06018 | .BOLT .PERNO | | | | 6 | 6 | |
| 21 | 703-48345-01 | .CABLE END, REMOTE CONTROL 2 .TERMINAL CABLE DE CONTROL REM | | | | 4 | 4 | |
| 22 | 704-48287-00 | .WASHER .ARANDELA | | | | 4 | 4 | |
| 23 | 95380-05600 | .NUT .TUERCA | | | | 4 | 4 | |
| 24 | EL8-48271-00 | .ARM, SHIFT .BRAZO CAMBIADOR | | | | 2 | 2 | |
| 25 | EL8-48127-00 | .SCREW 1 .TORNILLO 1 | | | | 16 | 16 | |
| 26 | 703-48358-00 | .ANCHOR, CABLE .ABRAZADERA CABLE | | | | 2 | 2 | |
| 27 | EL8-48231-00 | .HOUSING, GEAR .CAJA, ENGRANAJE | | | | 2 | 2 | |

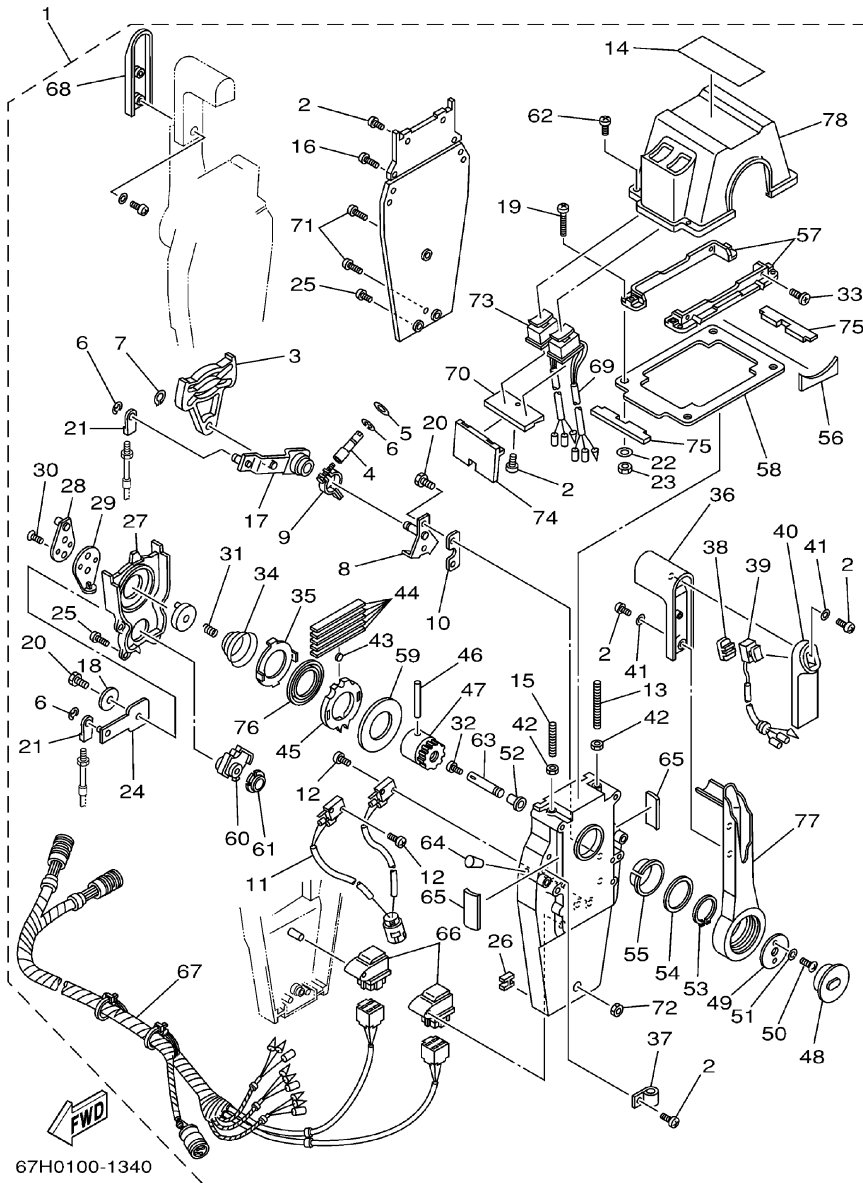
FIG. 29 REMOTE CONTROL ASSY 2 CONTROL REMOTO COMPL. 2



67H0100-1340

| REF. NO. | PART NO. CODIGO NO. | DESCRIPTION DESCRIPTION | 150A | 175A | 200A | L150 | L200 | REMARKS OBSERVACION |
|----------|---------------------|---|------|------|------|------|------|---------------------|
| 28 | EL8-48241-00 | .ARM, DRIVE .BRAZO,MANDO | | | | 2 | 2 | |
| 29 | EL8-48254-00 | .STOPPER, THROTTLE ADJUSTING .TAPON | | | | 2 | 2 | |
| 30 | 92780-06020 | .SCREW, FLAT HEAD .TORNILLO DE CABEZA PLANA | | | | 4 | 4 | |
| 31 | EL8-48158-00 | .SPRING 1 .RESORTE 1 | | | | 2 | 2 | |
| 32 | 98580-04006 | .SCREW, PAN HEAD .TORNILLO DE CABEZA CON PLANA | | | | 2 | 2 | |
| 33 | 98780-05018 | .SCREW, FLAT HEAD .TORNILLO DE CABEZA PLANA | | | | 4 | 4 | |
| 34 | EL8-48244-00 | .SPRING, FREE ACCEL. .RESORTE ACELERADOR LIBRE | | | | 2 | 2 | |
| 35 | EL8-48245-00 | .PLATE, LOCK .PLACA CERRADURA | | | | 2 | 2 | |
| 36 | 704-48222-00 | .GRIP, CONTROL LEVER .MANGO DE PALANCA CONTROL | | | | 2 | 2 | |
| 37 | 704-82594-00 | .CLAMP .GRAMPA | | | | 1 | 1 | |
| 38 | 704-48228-00 | .HOLDER, SWITCH .MORDAZA | | | | 1 | 1 | |
| 39 | 704-82563-31 | .TRIM & TILT SWITCH ASSY .INTERRUPTOR DE INCLINACION | | | | 1 | 1 | |
| 40 | 704-48229-00 | .GRIP, CONTROL LEVER .MANGO DE PALANCA CONTROL 2 | | | | 1 | 1 | |
| 41 | 92990-05300 | .WASHER, INTERNAL TOOTH .ARANDELA | | | | 6 | 6 | |
| 42 | 95380-06600 | .NUT, HEXAGON .TUERCA | | | | 4 | 4 | |
| 43 | 701-48248-00 | .ROLLER, FREE ACCEL. .RODILLO ACELERADOR LIBRE | | | | 2 | 2 | |
| 44 | 703-48238-00 | .SPRING, DETENT .RESORTE | | | | 10 | 10 | |
| 45 | EL8-48232-00 | .GEAR 1 .ENGRANAJE 1 | | | | 2 | 2 | |
| 46 | EL8-48164-00 | .PIN 2 .PASADOR 2 | | | | 2 | 2 | |
| 47 | 704-48242-00 | .SHAFT, DRIVE .EJE, PROPULSION | | | | 2 | 2 | |
| 48 | 704-48225-00 | .COVER .CUBIERTA | | | | 2 | 2 | |
| 49 | 704-48192-00 | .WASHER 2 .RONDANA 2 | | | | 2 | 2 | |
| 50 | 97890-06018 | .SCREW, PAN HEAD .TORNILLO DE CABEZA CON PLANA | | | | 4 | 4 | |
| 51 | 92990-06300 | .WASHER, INTERNAL TOOTH .ARANDELA | | | | 4 | 4 | |
| 52 | 702-48263-00 | .BUSHING .BUJE 4 | | | | 2 | 2 | |
| 53 | EL8-48279-00 | .CIRCLIP 2 .SEGURO2 | | | | 2 | 2 | |
| 54 | 704-48193-00 | .WASHER 3 .RONDANA 3 | | | | 2 | 2 | |

FIG. 29 REMOTE CONTROL ASSY 2 CONTROL REMOTO COMPL. 2



67H0100-1340

| REF. NO. | PART NO. CODIGO NO. | DESCRIPTION DESCRIPTION | 150A | 175A | 200A | L150 | L200 | REMARKS OBSERVACION |
|----------|---------------------|---|------|------|------|------|------|---------------------|
| 55 | EL8-48234-00 | .BUSHING 1 .BUJE | | | | 2 | 2 | |
| 56 | 704-48219-00 | .COVER, LEAD .CUBIERTA | | | | 2 | 2 | |
| 57 | 704-48144-00 | .PLATE, STOPPER 2 .PLACA, RETEN 2 | | | | 2 | 2 | |
| 58 | 704-48176-10 | .GROMMET .TOPON | | | | 1 | 1 | |
| 59 | 703-48192-00 | .WASHER 2 .RONDANA 2 | | | | 2 | 2 | |
| 60 | EL8-48233-00 | .GEAR 2 .ENGRANAJE 2 | | | | 2 | 2 | |
| 61 | 703-48235-00 | .BUSHING .BUJE | | | | 2 | 2 | |
| 62 | 704-48282-00 | .SCREW .TORNILLO 2 | | | | 4 | 4 | |
| 63 | EL8-48153-10 | .SHAFT, FREE ACCEL. .EJE | | | | 2 | 2 | |
| 64 | 704-48166-00 | .PLUG .TAPON | | | | 2 | 2 | |
| 65 | 704-48284-00 | .GROMMET .TAPON 1 | | | | 4 | 4 | |
| 66 | 704-81950-00 | .RELAY ASSY .RELE COMPLETO | | | | 2 | 2 | |
| 67 | 704-82590-10 | .WIRE HARNESS ASSY .CONJUNTO DE CABLES | | | | 1 | 1 | |
| 68 | 704-48229-10 | .GRIP, CONTROL LEVER .MANGO DE PALANCA CONTROL 2 | | | | 1 | 1 | |
| 69 | 704-82563-E0 | .TRIM & TILT SWITCH ASSY .INTERRUPTOR DE INCLINACION | | | | 1 | 1 | |
| 70 | 704-48228-10 | .HOLDER, SWITCH .MORDAZA | | | | 1 | 1 | |
| 71 | 704-48128-00 | .SCREW 2 .TORNILLO 2 | | | | 3 | 3 | |
| 72 | 704-48156-00 | .NUT 1 .TUERCA 1 | | | | 1 | 1 | |
| 73 | 704-82563-F0 | .TRIM & TILT SWITCH ASSY .INTERRUPTOR DE INCLINACION | | | | 1 | 1 | |
| 74 | 704-48285-00 | .GROMMET 2 .TAPON 2 | | | | 1 | 1 | |
| 75 | 704-48286-00 | .GROMMET 3 .TAPON 3 | | | | 2 | 2 | |
| 76 | 704-48178-00 | .PLATE, SHIFT .PLACA | | | | 2 | 2 | |
| 77 | 704-48221-00 | .LEVER, CONTROL .PALANCA CONTROL | | | | 2 | 2 | |
| 78 | 704-48119-20 | .COVER .CUBIERTA | | | | 1 | 1 | |

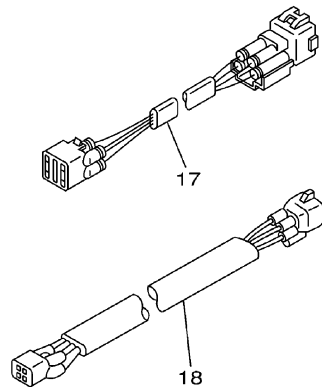
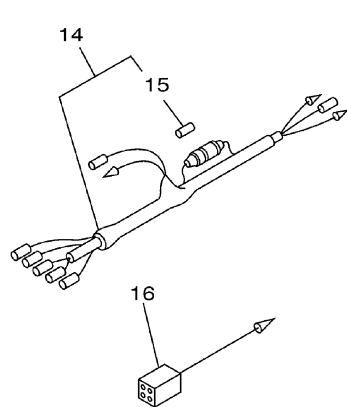
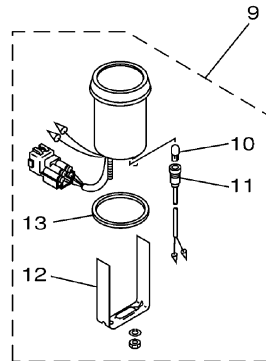
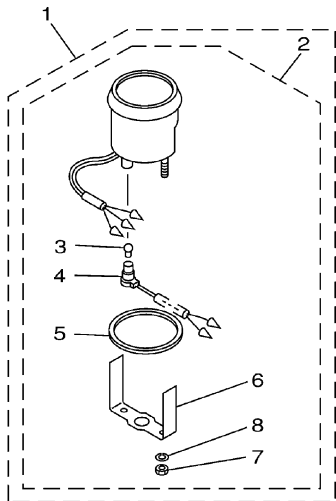
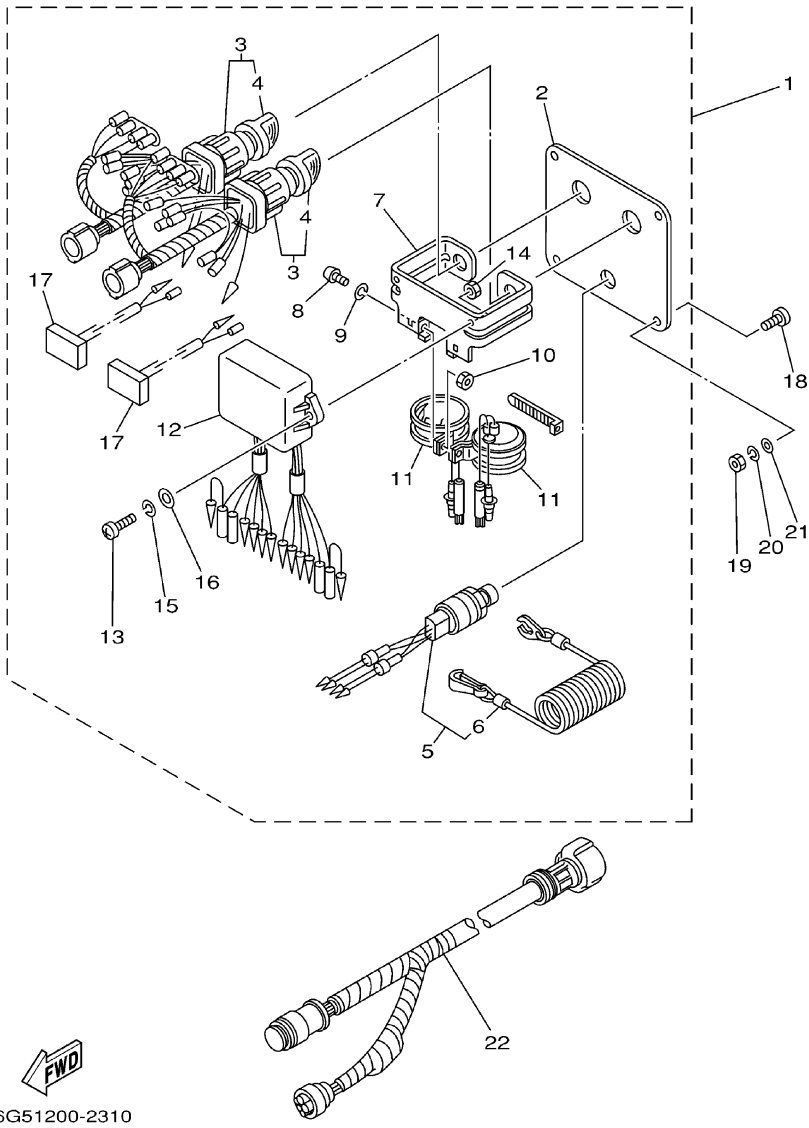


FIG. 30 METER

MEDIDOR

| REF. NO. | PART NO. CODIGO NO. | DESCRIPTION DESCRIPTION | 150A | 175A | 200A | L150 | L200 | REMARKS OBSERVACION |
|----------|---------------------|--|------|------|------|------|------|---------------------|
| 1 | 6Y5-W0080-12 | TACHOMETER KIT JUEGO DE TACOMETRO | 1 | 1 | 1 | 1 | 1 | AP |
| 2 | 6Y5-83540-14 | .TACHOMETER ASSY .TACOMETRO COMPLETO | 1 | 1 | 1 | 1 | 1 | WITHOUT OIL LAMP |
| 3 | 6Y5-83517-00 | ..BULB (12V-1.7W, T10) ..BOMBILLA (12V-1.7W, T10) | 1 | 1 | 1 | 1 | 1 | |
| 4 | 6Y5-83536-10 | ..SOCKET, METER ..ENCASTRE DE MEDIDOR | 1 | 1 | 1 | 1 | 1 | |
| 5 | 6Y5-83523-00 | ..DAMPER ..AMORTIGUADOR | 1 | 1 | 1 | 1 | 1 | |
| 6 | 6Y5-83514-00 | ..PLATE, FITTING ..PLACA ACCESORIA | 1 | 1 | 1 | 1 | 1 | |
| 7 | 95380-05600 | ..NUT ..TUERCA | 2 | 2 | 2 | 2 | 2 | |
| 8 | 92990-05100 | ..WASHER, SPRING ..ARANDELA | 2 | 2 | 2 | 2 | 2 | |
| 9 | 6Y5-83670-12 | TRIM METER ASSY. MEDIDOR DE INCLINACION | 1 | 1 | 1 | 1 | 1 | AP |
| 10 | 6Y5-83518-00 | ..BULB (12V-1.7W, T6.5) ..BOMBILLA (12V-1.7W, T6.5) | 1 | 1 | 1 | 1 | 1 | |
| 11 | 6Y5-83536-00 | ..SOCKET, METER ..ENCASTRE DE MEDIDOR | 1 | 1 | 1 | 1 | 1 | |
| 12 | 6Y5-83544-00 | ..PLATE, FITTING ..PLACA ACCESORIA | 1 | 1 | 1 | 1 | 1 | |
| 13 | 688-83664-00 | ..DAMPER ..AMORTIGUADOR | 1 | 1 | 1 | 1 | 1 | |
| 14 | 6Y5-83553-00 | WIRE, LEAD CABLE CONDUCTOR | 1 | 1 | 1 | 1 | 1 | AP |
| 15 | 1E6-82151-00 | ..FUSE (10A) ..FUSIBLE | 1 | 1 | 1 | 1 | 1 | |
| 16 | 6Y5-82117-00 | WIRE, LEAD (BLACK) CABLE, CONDUCTOR (NEGRO) | 1 | 1 | 1 | 1 | 1 | AP |
| 17 | 6R3-82553-70 | EXTENSION, WIRE LEAD CABLE | 1 | 1 | 1 | | | AP |
| | 6R3-82553-80 | EXTENSION, WIRE LEAD CABLE | | | | 1 | 1 | AP 4P,8M |
| 18 | 6R3-82553-30 | EXTENSION, WIRE LEAD L=3000 CABLE | | | | 1 | 1 | AP |

6G51200-2300



6G51200-2310

FIG. 31 SWITCH. PANEL

PANEL DE INTERRUPTOR

| REF. NO. | PART NO. CODIGO NO. | DESCRIPTION DESCRIPTION | 150A | 175A | 200A | L150 | L200 | REMARKS OBSERVACION |
|----------|---------------------|--|------|------|------|------|------|---------------------|
| 1 | 6K1-82570-07 | PANEL SWITCH ASSY INTERRUPTOR DE PANEL COMPL. | | | | 1 | 1 | AP |
| 2 | 6K1-82571-01 | .PANEL, SWITCH .PANEL DE INTERRUPTOR | | | | 1 | 1 | |
| 3 | 6K1-82510-06 | .MAIN SWITCH ASSY .CONJUNTO DE LLAVE IGNICION | | | | 2 | 2 | |
| 4 | 703-82577-00 | ..CAP. KEY ..TAPA | | | | 1 | 1 | |
| 5 | 6K1-82575-00 | .ENGINE STOP SWITCH ASSY ..INTERRUPTOR DE PARADA COMPL. | | | | 1 | 1 | |
| 6 | 682-82556-00 | ..STOPPER ..RETENER | | | | 1 | 1 | |
| 7 | 6K1-83614-01 | .BRACKET ..SOPORTE | | | | 1 | 1 | |
| 8 | 98980-05010 | .SCREW, BIND ..TORNILLO DE LIGAR | | | | 2 | 2 | |
| 9 | 92990-05100 | .WASHER, SPRING ..ARANDELA | | | | 2 | 2 | |
| 10 | 95380-05600 | .NUT ..TUERCA | | | | 2 | 2 | |
| 11 | 688-83383-11 | .BUZZER ..ZUMBADOR | | | | 2 | 2 | |
| 12 | 6K1-85830-01 | .CONTROL UNIT ASSY ..UNIDAD CONTROL | | | | 1 | 1 | |
| 13 | 98980-06020 | .SCREW, BIND ..TORNILLO DE LIGAR | | | | 2 | 2 | |
| 14 | 95380-06600 | .NUT, HEXAGON ..TUERCA | | | | 2 | 2 | |
| 15 | 92990-06100 | .WASHER, SPRING ..ARANDELA | | | | 2 | 2 | |
| 16 | 92990-06600 | .WASHER, PLATE ..ARANDELA | | | | 2 | 2 | |
| 17 | 6K1-81980-00 | .DIODE ASSY ..RECTIFICADOR 2 | | | | 2 | 2 | |
| 18 | 90149-05M05 | SCREW TORNILLO DE REGLAJE | | | | 4 | 4 | AP |
| 19 | 95380-05600 | NUT TUERCA | | | | 4 | 4 | AP |
| 20 | 92990-05100 | WASHER, SPRING ARANDELA | | | | 4 | 4 | AP |
| 21 | 92990-05600 | WASHER, PLATE ARANDELA | | | | 4 | 4 | AP |
| 22 | 6K1-8258A-40 | EXTENSION, WIRE HARNESS EXTENSION, ARNES DE CABLES | | | | 2 | 2 | AP |

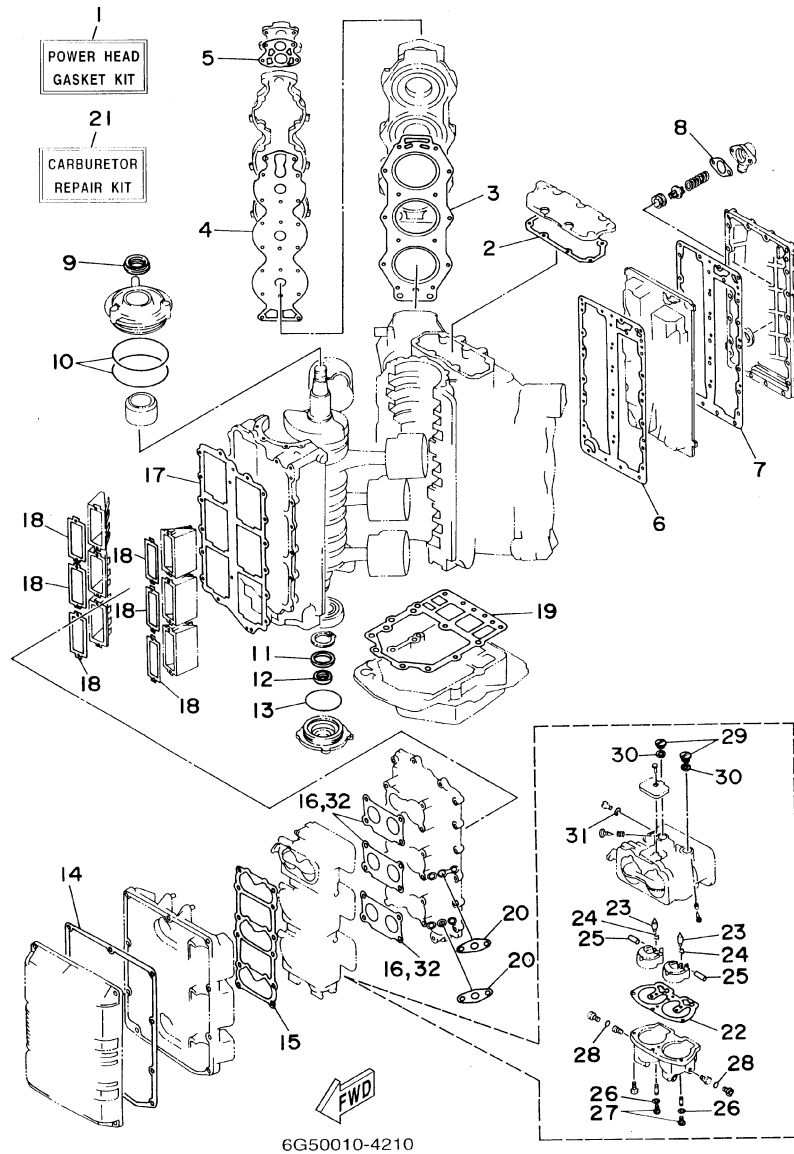


FIG. 32 REPAIR KIT 1

ESTUCHE REPARATION 1

| REF. NO. | PART NO. CODIGO NO. | DESCRIPTION DESCRIPTION | 150A | 175A | 200A | L150 | L200 | REMARKS OBSERVACION |
|----------|---------------------|--|------|------|------|------|------|---------------------|
| 1 | 6G5-W0001-A3 | POWER HEAD GASKET KIT JUEGO DE EMPAQUE | 1 | 1 | 1 | 1 | 1 | |
| 2 | 6E5-11381-A2 | .GASKET 1 .EMPAQUE 1 | 1 | 1 | 1 | 1 | 1 | |
| 3 | 6G5-11181-A1 | .GASKET, CYLINDER HEAD 1 .JUNTA, DE CULATA 1 | 2 | 2 | 2 | 2 | 2 | |
| 4 | 6G5-11193-A0 | .GASKET, HEAD COVER 1 .EMPAQUE | 2 | 2 | 2 | 2 | 2 | |
| 5 | 688-12414-A1 | .GASKET, COVER .EMPAQUE | 2 | 2 | 2 | 2 | 2 | |
| 6 | 6G5-41112-A1 | .GASKET, EXHAUST INNER COVER .EMPAQUE | 1 | 1 | 1 | 1 | 1 | |
| 7 | 6G5-41112-A1 | .GASKET, EXHAUST INNER COVER .EMPAQUE | 1 | 1 | 1 | 1 | 1 | |
| 8 | 6G5-11382-A1 | .GASKET 2 .EMPAQUE 2 | 1 | 1 | 1 | 1 | 1 | |
| 9 | 93102-40M14 | .OIL SEAL .SELLO ACEITE | 1 | 1 | 1 | 1 | 1 | |
| 10 | 93211-04001 | .O-RING .ANILLO O | 2 | 2 | 2 | 2 | 2 | |
| 11 | 93102-35M13 | .OIL SEAL .SELLO ACEITE | 1 | 1 | 1 | 1 | 1 | |
| 12 | 93101-22M15 | .OIL SEAL .SELLO ACEITE | 1 | 1 | 1 | 1 | 1 | |
| 13 | 93210-74M35 | .O-RING .ANILLO O | 1 | 1 | 1 | 1 | 1 | |
| 14 | 6G5-14416-A1 | .GASKET, AIR CLEANER .EMPAQUE | 1 | 1 | 1 | 1 | 1 | |
| 15 | 6G5-14483-A1 | .GASKET .EMPAQUE | 1 | 1 | 1 | 1 | 1 | |
| 16 | 6E5-14198-A2 | .GASKET .EMPAQUE | 3 | 3 | 3 | 3 | 3 | |
| 17 | 6G5-13645-A1 | .GASKET, MANIFOLD 1 .EMPAQUE | 1 | 1 | 1 | 1 | 1 | |
| 18 | 6E5-13621-A1 | .GASKET, VALVE SEAT .JUNTA, DE VALV.DE EMPAQUE | 6 | 6 | 6 | 6 | 6 | |
| 19 | 6G5-45113-A1 | .GASKET, UPPER CASING .EMPAQUE | 1 | 1 | 1 | 1 | 1 | |
| 20 | 650-24431-A0 | .GASKET, FUEL PUMP 1 .EMPAQUE BOMBA COMBUST 1 | 2 | 2 | 2 | 2 | 2 | |
| 21 | 64D-W0093-01 | CARBURETOR REPAIR KIT KIT REPARACION CARBURADOR | 1 | 1 | 1 | 1 | 1 | |
| 22 | 64D-14384-01 | .GASKET, FLOAT CHAMBER .EMPAQUE DE CAMARA DE BOIA | 1 | 1 | 1 | 1 | 1 | |
| 23 | 6E5-14546-00 | .VALVE, NEEDLE .VALVULA DE AGUJA | 2 | 2 | 2 | 2 | 2 | |
| 24 | 6E5-14159-00 | .CLIP .PRESILLA | 2 | 2 | 2 | 2 | 2 | |
| 25 | 6E5-14386-02 | .PIN, FLOAT .PASADOR DE BOIA | 2 | 2 | 2 | 2 | 2 | |
| 26 | 64D-14959-00 | .GASKET .EMPAQUE | 2 | 2 | 2 | 2 | 2 | |
| 27 | 64D-14394-00 | .VALVE, DRAIN .VALVULA DE DRENAJE | 2 | 2 | 2 | 2 | 2 | |

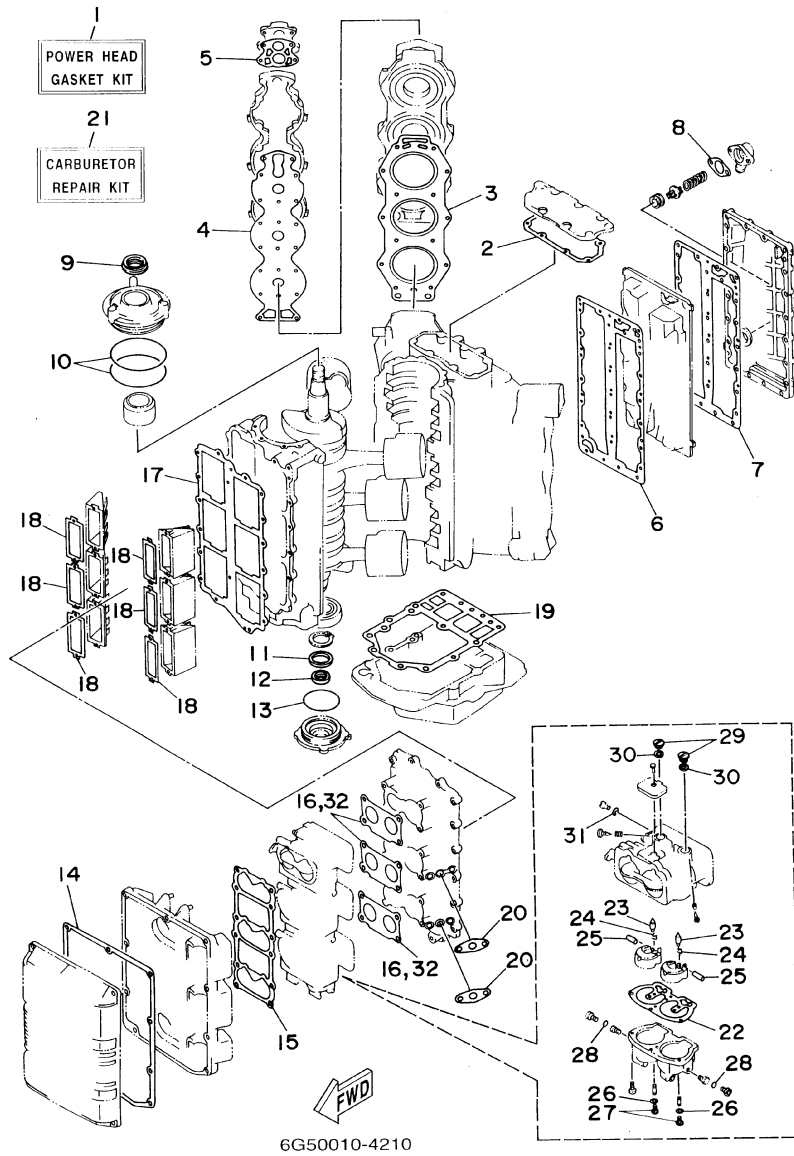


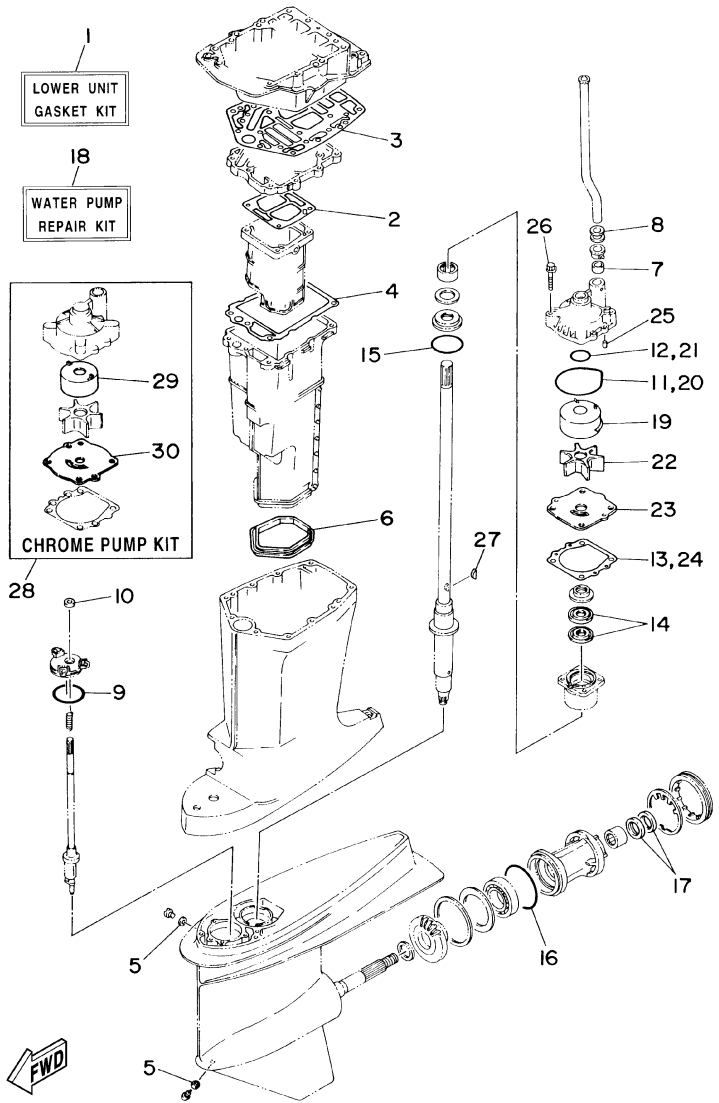
FIG. 32 REPAIR KIT 1

ESTUCHE REPARATION 1

| REF. NO. | PART NO. CODIGO NO. | DESCRIPTION DESCRIPTION | 150A | 175A | 200A | L150 | L200 | REMARKS OBSERVACION |
|----------|---------------------|-----------------------------------|------|------|------|------|------|---------------------|
| | | | | | | | | |
| 28 | 6E5-14398-01 | .GASKET .EMPAQUE | 2 | 2 | 2 | 2 | 2 | |
| 29 | 6E5-14328-01 | .PLUG .TORNILLO TOPE DE PILOTO | 2 | 2 | 2 | 2 | 2 | |
| 30 | 6E5-14979-00 | .GASKET .EMPAQUE DE ARRANQUE | 2 | 2 | 2 | 2 | 2 | |
| 31 | 6J8-14959-00 | .GASKET .EMPAQUE | 1 | 1 | 1 | 1 | 1 | |
| 32 | 6E5-14198-A2 | .GASKET .EMPAQUE | 1 | 1 | 1 | 1 | 1 | |

FIG. 33 REPAIR KIT 2

ESTUCHE REPARATION 2

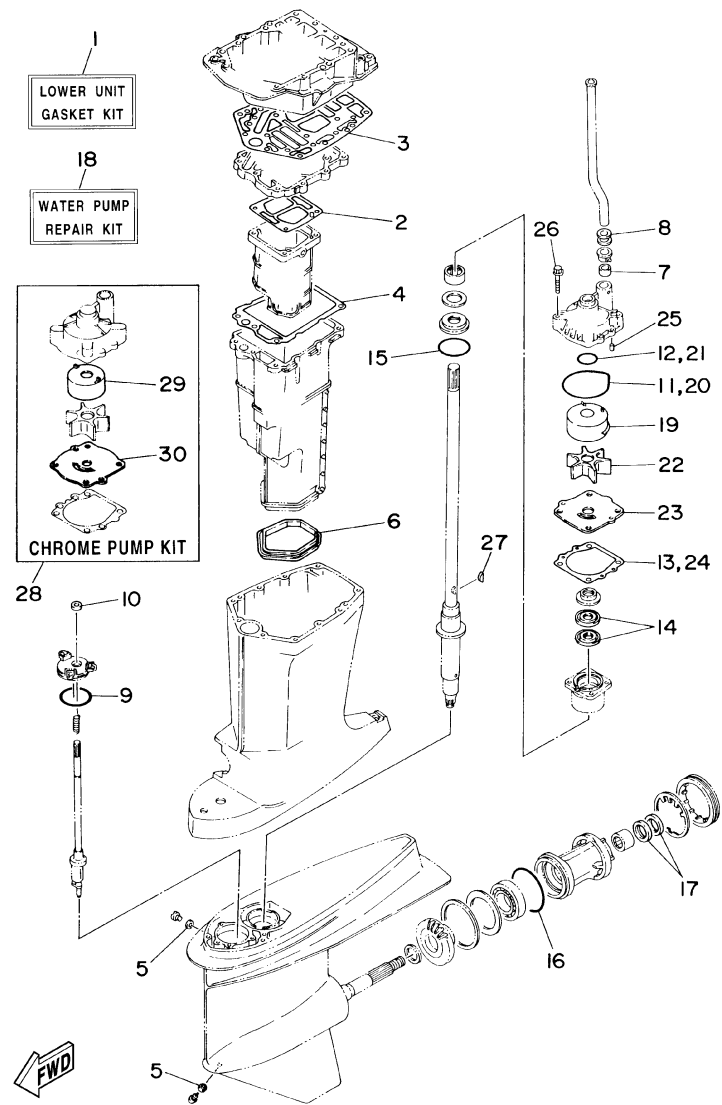


64D0010-4240

| REF. NO. | PART NO. CODIGO NO. | DESCRIPTION DESCRIPTION | 150A | 175A | 200A | L150 | L200 | REMARKS OBSERVACION |
|----------|---------------------|---|------|------|------|------|------|---------------------|
| 1 | 6G5-W0001-C1 | LOWER UNIT GASKET KIT JUEGO DE EMPAQUE UNIDAD INFER | 1 | 1 | 1 | 1 | 1 | |
| 2 | 6G5-41134-A0 | .GASKET, EXHAUST MANIFOLD .EMPAQUE | 1 | 1 | 1 | 1 | 1 | |
| 3 | 6G5-45114-A0 | .GASKET, UPPER CASING .EMPAQUE | 1 | 1 | 1 | 1 | 1 | |
| 4 | 6E5-41135-A0 | .GASKET, EXHAUST MANIFOLD .EMPAQUE | 1 | 1 | 1 | 1 | 1 | |
| 5 | 90430-08020 | .GASKET JUNTA | 2 | 2 | 2 | 2 | 2 | |
| 6 | 6E5-45123-00 | .GASKET, MUFFLER .EMPAQUE SILENCIADOR | 1 | 1 | 1 | 1 | 1 | |
| 7 | 6E5-44365-00 | .DAMPER, WATER SEAL .HULE DE SELLO DE AGUA | 1 | 1 | 1 | 1 | 1 | |
| 8 | 6E5-44366-00 | .DAMPER, WATER SEAL .GOMA DEL SELLO DE AGUA | 1 | 1 | 1 | 1 | 1 | |
| 9 | 93210-58144 | .O-RING .ANILLO O | 1 | 1 | 1 | 1 | 1 | |
| 10 | 93106-09014 | .OIL SEAL .SELLO ACEITE | 1 | 1 | 1 | 1 | 1 | |
| 11 | 93210-86M38 | .O-RING .ANILLO O | 1 | 1 | 1 | 1 | 1 | |
| 12 | 93210-37160 | .O-RING .ANILLO O | 1 | 1 | 1 | 1 | 1 | |
| 13 | 6E5-44315-A0 | .GASKET, WATER PUMP .EMPAQUE | 1 | 1 | 1 | 1 | 1 | |
| 14 | 93101-28M16 | .OIL SEAL .SELLO ACEITE | 2 | 2 | 2 | 2 | 2 | |
| 15 | 93210-55M14 | .O-RING .ANILLO O | 1 | 1 | 1 | 1 | 1 | |
| 16 | 93210-97M55 | .O-RING .ANILLO O | 1 | 1 | 1 | 1 | 1 | |
| 17 | 93101-30M17 | .OIL SEAL .SELLO ACEITE | 2 | 2 | 2 | 2 | 2 | |
| 18 | 61A-W0078-A3 | WATER PUMP REPAIR KIT ESTUCHE REPARACION BOMBA AGUA | 1 | 1 | 1 | 1 | 1 | |
| 19 | 61A-44322-02 | .INSERT, CARTRIDGE .CARTUCHO | 1 | 1 | 1 | 1 | 1 | |
| 20 | 93210-86M38 | .O-RING .ANILLO O | 1 | 1 | 1 | 1 | 1 | |
| 21 | 93210-37160 | .O-RING .ANILLO O | 1 | 1 | 1 | 1 | 1 | |
| 22 | 6E5-44352-01 | .IMPELLER .IMPULSOR | 1 | 1 | 1 | 1 | 1 | |
| 23 | 6G5-44323-00 | .OUTER PLATE, CARTRIDGE .PLACA EXTERIOR DEL CARTUCHO | 1 | 1 | 1 | 1 | 1 | |
| 24 | 6E5-44315-A0 | .GASKET, WATER PUMP .EMPAQUE | 1 | 1 | 1 | 1 | 1 | |
| 25 | 93606-12019 | .PIN, DOWEL .PASADOR DE CLAVIJA | 2 | 2 | 2 | 2 | 2 | |
| 26 | 90119-08M14 | .BOLT, WITH WASHER .TORNILLO CON ARANDELA | 4 | 4 | 4 | 4 | 4 | |
| 27 | 90280-04M05 | .KEY, WOODRUFF .CUNA WOODRUFF | 1 | 1 | 1 | 1 | 1 | |

ESTUCHE REPARATION 2

FIG. 33 REPAIR KIT 2



64D0010-4240

| REF. NO. | PART NO. CODIGO NO. | DESCRIPTION DESCRIPTION | 150A | 175A | 200A | L150 | L200 | REMARKS OBSERVACION |
|----------|---------------------|---|------|------|------|------|------|---------------------|
| 28 | 61A-W0078-2A | CHROME PUMP KIT ESTUCHE REPARACION BOMBA AGUA | 1 | 1 | 1 | 1 | 1 | |
| 29 | 6R3-44322-42 | .INSERT, CARTRIDGE .CARTUCHO | 1 | 1 | 1 | 1 | 1 | |
| 30 | 6G5-44323-40 | .OUTER PLATE, CARTRIDGE .PLACA EXTERIOR DEL CARTUCHO | 1 | 1 | 1 | 1 | 1 | |
| ----- | | | | | | | | |
| ----- | | | | | | | | |
| ----- | | | | | | | | |
| ----- | | | | | | | | |
| ----- | | | | | | | | |
| ----- | | | | | | | | |
| ----- | | | | | | | | |
| ----- | | | | | | | | |

NUMERICAL INDEX
INDICE NUMERICO

| PART NO. CODIGO NO. | REF. NO. | PART NO. CODIGO NO. | REF. NO. | PART NO. CODIGO NO. | REF. NO. | PART NO. CODIGO NO. | REF. NO. | PART NO. CODIGO NO. | REF. NO. | PART NO. CODIGO NO. | REF. NO. |
|------------------------|-------------|------------------------|-------------|------------------------|-------------|------------------------|-------------|------------------------|-------------|------------------------|-------------|
| 6G5-W0001-A3 | 32 - 1 | 64D-11645-02 | 3 - 17 | 64D-14394-00 | 6 - 12 | 6Y2-24306-07 | 24 - 8 | 6R3-41113-00-1S | 4 - 14 | 648-42715-00 | 14 - 49 |
| 6G5-W0001-C1 | 33 - 1 | 64D-11645-22 | 3 - 17 | | 32 - 27 | 6G5-24313-01 | 7 - 3 | 6G5-41131-01-5B | 19 - 20 | 6E5-42716-00 | 13 - 36 |
| 6E5-W0004-00 | 5 - 2 | 64D-11646-02 | 3 - 17 | 647-14395-60 | 5 - 31 | 6G5-24314-10 | 7 - 19 | 64D-41132-00-5B | 19 - 24 | 6E5-42724-00 | 19 - 11 |
| 6G5-W0070-31 | 1 - 20 | 64D-11646-22 | 3 - 17 | 6E5-14398-01 | 6 - 17 | 6E5-24315-00 | 7 - 24 | 6G5-41134-A0 | 19 - 25 | 6E5-42725-00 | 13 - 15 |
| 61A-W0078-A3 | 33 - 18 | 6R5-11650-10 | 3 - 21 | | 32 - 28 | 6G5-24315-00 | 7 - 23 | | 33 - 2 | 688-42726-10 | 13 - 24 |
| 61A-W0078-2A | 33 - 28 | 6E5-12411-20 | 4 - 7 | 6G5-1441K-00 | 5 - 36 | 6G5-24316-10 | 7 - 43 | 6E5-41135-A0 | 19 - 32 | 6E5-42738-01-5B | 13 - 16 |
| 6Y5-W0080-12 | 30 - 1 | 688-12413-00-1S | 4 - 8 | 6G5-14416-A1 | 5 - 37 | 6G5-24317-01 | 7 - 48 | | 33 - 4 | 6E5-42741-01-4D | 13 - 26 |
| 64C-W0090-02-1S | 2 - 1 | 688-12414-A1 | 4 - 9 | | 32 - 14 | 6G5-24318-10 | 7 - 49 | 6G5-41137-02-94 | 19 - 10 | 6H4-42748-00 | 13 - 2 |
| 64D-W0090-02-1S | 2 - 1 | | 32 - 5 | 6G5-14417-10-94 | 5 - 27 | 6G5-24319-10 | 7 - 50 | 6G5-41211-01 | 14 - 29 | 6E5-42761-00-1S | 2 - 23 |
| 64E-W0090-03-1S | 2 - 1 | 6G5-12416-00 | 4 - 18 | 6G5-14418-00 | 5 - 35 | 6Y1-24329-00 | 24 - 5 | 6G5-41213-00 | 14 - 32 | 6E5-42762-00-1S | 2 - 24 |
| 64D-W0093-01 | 32 - 21 | 6G5-12576-00 | 4 - 24 | 6G5-14483-A1 | 5 - 32 | 6E5-24351-01 | 8 - 3 | 6G5-41217-01 | 5 - 22 | 6E5-42769-00 | 19 - 5 |
| 656-W2810-02 | 7 - 54 | 6G5-12581-00 | 19 - 12 | | 32 - 15 | 6E5-24351-50 | 24 - 14 | 662-41237-01 | 14 - 25 | 6E5-42771-01-4D | 13 - 27 |
| 6E5-W4271-05-4D | 13 - 1 | 6E5-13610-00 | 5 - 1 | 6E5-14485-00 | 5 - 29 | 6Y2-24360-02 | 24 - 16 | | 14 - 31 | 6G5-42791-00 | 13 - 41 |
| 6G5-11111-04-1S | 4 - 1 | 6G5-13610-00 | 5 - 1 | 624-14485-00 | 5 - 7 | 61J-24360-10 | 8 - 5 | 6E5-41256-01 | 5 - 23 | 6G5-42791-10 | 13 - 41 |
| 6E5-11119-01 | 2 - 18 | 6E5-13621-A1 | 5 - 3 | | 5 - 28 | 6E5-24367-01 | 13 - 30 | 661-41262-02 | 5 - 24 | 6E5-42791-41 | 19 - 2 |
| 6G5-11181-A1 | 4 - 2 | | 32 - 18 | 6G5-14488-02 | 9 - 22 | 6E5-24367-10 | 13 - 33 | 6E5-41271-02 | 5 - 25 | 6R3-42792-41 | 19 - 3 |
| | 32 - 3 | 6G5-13641-00-1S | 5 - 6 | 6E5-14527-01 | 6 - 27 | 6G5-24376-00 | 7 - 46 | 689-41273-00 | 5 - 26 | 688-42815-01-4D | 13 - 3 |
| 6G5-11191-00-1S | 4 - 4 | 6G5-13645-A1 | 5 - 17 | 6E5-14546-00 | 6 - 7 | 6G5-24377-00 | 7 - 47 | 688-41611-00 | 9 - 11 | 6E5-42816-01 | 13 - 10 |
| 6G5-11193-A0 | 4 - 5 | | 32 - 17 | | 32 - 23 | 6E5-24378-00 | 7 - 22 | 688-41612-00 | 9 - 12 | 6G5-42816-00 | 13 - 9 |
| | 32 - 4 | 6E5-14159-00 | 6 - 8 | 6E5-14711-01-5B | 19 - 28 | 6E5-24410-03 | 7 - 26 | 6E5-41631-01-1S | 14 - 9 | 688-42816-00 | 13 - 4 |
| 6R3-1131M-01 | 2 - 14 | | 32 - 24 | 64D-14721-20-5B | 19 - 37 | 6E5-24411-00 | 7 - 32 | 61H-41632-02-1S | 14 - 6 | 6E5-42817-01-4D | 13 - 8 |
| 6E5-11325-00 | 2 - 12 | 6E5-14198-A2 | 5 - 19 | 6E5-14737-00 | 19 - 29 | 6E5-24412-10 | 7 - 39 | 6G5-41636-01 | 14 - 23 | 64E-43111-02-8D | 15 - 1 |
| 6E5-11370-00 | 5 - 8 | | 32 - 16 | 64D-1492E-75 | 6 - 13 | 6E5-24413-00 | 7 - 29 | 6E5-42510-05-8D | 16 - 10 | 64E-43112-02-8D | 15 - 9 |
| 646-11370-00 | 2 - 5 | | 32 - 32 | 64D-1492E-76 | 6 - 14 | 6A0-24421-01 | 7 - 36 | 6E5-42510-25-8D | 16 - 10 | 64E-43126-00 | 15 - 37 |
| 6E5-11371-00-1S | 2 - 20 | 6E5-14223-00 | 6 - 25 | 64D-1492E-77 | 6 - 15 | 6E5-24423-00 | 7 - 34 | 624-42542-00 | 9 - 20 | 64E-43131-01 | 15 - 15 |
| 6G5-11372-00-1S | 4 - 22 | 64C-14301-01 | 6 - 1 | 64D-1492E-79 | 6 - 16 | 648-24424-00 | 7 - 33 | 6G4-42610-60-4D | 1 - 1 | 64E-43139-02 | 16 - 1 |
| 624-11379-00 | 2 - 3 | 64D-14301-01 | 6 - 1 | 64D-1492F-42 | 6 - 10 | 650-24431-A0 | 7 - 40 | 6G5-42610-60-4D | 1 - 1 | 6G5-43144-00 | 15 - 27 |
| 6E5-11381-A2 | 2 - 21 | 64E-14301-01 | 6 - 1 | 61A-1492H-12 | 6 - 18 | | 32 - 20 | 6G6-42610-60-4D | 1 - 1 | 6E5-43145-01 | 25 - 8 |
| | 32 - 2 | 64C-14302-01 | 6 - 2 | 6J8-14959-00 | 6 - 30 | 6E5-24434-02 | 7 - 35 | 6G5-42613-00-4D | 1 - 15 | 6G5-43148-00 | 15 - 32 |
| 6G5-11382-A1 | 4 - 21 | 64D-14302-01 | 6 - 2 | | 32 - 31 | 6E5-24435-00 | 7 - 31 | 6E5-42615-00 | 1 - 14 | 6G5-43181-02 | 15 - 29 |
| | 32 - 8 | 64E-14302-01 | 6 - 2 | 61U-14959-00 | 6 - 11 | 652-24461-00 | 4 - 15 | 6E5-42617-00 | 1 - 11 | 6G5-43185-02 | 15 - 30 |
| 6R3-11397-01 | 2 - 15 | 64C-14303-01 | 6 - 3 | | 32 - 26 | 61A-24469-00 | 7 - 11 | 6G5-42619-00 | 1 - 12 | 64E-43311-10-8D | 15 - 22 |
| 6G5-11411-02 | 3 - 1 | 64D-14303-01 | 6 - 3 | 6E5-14979-00 | 6 - 23 | 6E5-24471-00 | 7 - 30 | 6G5-42627-00 | 1 - 13 | 64E-43311-20-8D | 15 - 22 |
| 6E5-11447-00 | 3 - 2 | 64E-14303-01 | 6 - 3 | | 32 - 30 | 61A-24521-00 | 7 - 6 | 6E5-42647-00-94 | 1 - 2 | 61A-43376-00 | 16 - 8 |
| 663-11518-01 | 2 - 4 | 6E5-14321-00 | 6 - 20 | 64C-15100-21-1S | 2 - 2 | 65L-24531-01 | 7 - 7 | 6E5-42649-01-94 | 1 - 3 | 64E-4380F-00 | 18 - 33 |
| 64D-11603-01 | 3 - 18 | 6E5-14323-03 | 6 - 24 | 64D-15100-21-1S | 2 - 2 | 65L-24558-00 | 7 - 12 | 6E5-42652-00 | 1 - 7 | 64E-4380J-00 | 18 - 30 |
| 64D-11604-01 | 3 - 18 | 6E5-14324-00 | 6 - 29 | 64E-15100-21-1S | 2 - 2 | 61A-24560-04 | 7 - 5 | 688-42652-00 | 1 - 8 | 64E-43800-02-4D | 17 - 1 |
| 64D-11605-01 | 3 - 18 | 6A0-14325-00 | 7 - 37 | 6E5-15163-00-1S | 3 - 3 | 61A-24563-00 | 7 - 10 | 663-42662-00 | 1 - 4 | 64E-43802-00 | 18 - 8 |
| 64D-11631-02-90 | 3 - 16 | 6E5-14328-01 | 6 - 22 | 6G5-15359-00-94 | 3 - 11 | 61A-24564-00 | 7 - 8 | 6G5-4267A-31 | 1 - 21 | 64E-43805-00 | 18 - 37 |
| 64D-11631-22-90 | 3 - 16 | | 32 - 29 | 6YJ-24167-00 | 24 - 7 | 61U-24566-00 | 7 - 15 | 6G4-42677-40 | 1 - 18 | 64E-4381G-00 | 17 - 27 |
| 6R5-11633-10 | 3 - 19 | 6J8-14334-00 | 6 - 21 | 6YJ-24201-10 | 24 - 1 | 61A-24577-01 | 7 - 9 | 6G5-42677-40 | 1 - 18 | 64E-43810-00 | 17 - 6 |
| 6R5-11634-10 | 3 - 20 | 64D-14381-00 | 6 - 5 | 6Y1-24260-12 | 24 - 3 | 6YJ-24610-01 | 24 - 2 | 6G6-42677-40 | 1 - 18 | 6E5-43814-02 | 17 - 13 |
| 64D-11635-02 | 3 - 16 | 61A-14383-01 | 6 - 19 | 6Y1-24268-00 | 24 - 6 | 6A1-28176-00 | 13 - 42 | 6G4-42678-31 | 1 - 19 | 64E-43816-00 | 18 - 17 |
| 64D-11635-02 | 3 - 16 | 64D-14384-01 | 6 - 4 | 6E5-24304-10 | 7 - 1 | 64D-41111-00-1S | 4 - 11 | 6G5-42678-31 | 1 - 19 | 64E-43817-00 | 17 - 5 |
| 64D-11636-02 | 3 - 16 | | 32 - 22 | 6E5-24305-04 | 8 - 6 | 6G5-41112-A1 | 4 - 12 | 6G6-42678-31 | 1 - 19 | 64E-43817-10 | 18 - 19 |
| 64D-11636-22 | 3 - 16 | 6E5-14385-02 | 6 - 6 | | 24 - 9 | | 4 - 13 | 64D-42678-30 | 1 - 22 | 64E-43818-01 | 17 - 32 |
| 64D-11642-02-90 | 3 - 17 | 6E5-14386-02 | 6 - 9 | 6Y2-24305-04 | 24 - 11 | | 32 - 6 | 6G5-42681-31 | 1 - 23 | 64E-4382G-00 | 17 - 29 |
| 64D-11642-22-90 | 3 - 17 | | 32 - 25 | 6Y2-24306-A2 | 8 - 1 | | 32 - 7 | 6G5-42682-31 | 1 - 24 | 64E-43820-00 | 17 - 15 |

NUMERICAL INDEX
INDICE NUMERICO

| PART NO. CODIGO NO. | REF. NO. | PART NO. CODIGO NO. | REF. NO. | PART NO. CODIGO NO. | REF. NO. | PART NO. CODIGO NO. | REF. NO. | PART NO. CODIGO NO. | REF. NO. | PART NO. CODIGO NO. | REF. NO. |
|------------------------|-------------|------------------------|-------------|------------------------|-------------|------------------------|-------------|------------------------|-------------|------------------------|-------------|
| 64E-43821-00 | 17 - 16 | 64E-43897-00 | 17 - 24 | 68F-44533-00 | 2 - 25 | 688-45375-00 | 22 - 12 | 6G5-45577-02-18 | 20 - 65 | 6E5-45970-10 | 21 - 23 |
| 64E-43822-00 | 17 - 17 | 64E-43898-00 | 17 - 7 | 6G5-44551-01-8D | 16 - 13 | 64D-45376-00-94 | 20 - 10 | | 22 - 66 | 6G5-45970-02-98 | 21 - 22 |
| 64E-43825-01 | 17 - 2 | 6E5-44117-00-1S | 14 - 36 | 6E5-44552-01-94 | 16 - 24 | | 22 - 11 | 6G5-45577-02-30 | 20 - 65 | 6K1-45970-01-98 | 23 - 19 |
| 64E-43827-00 | 18 - 22 | 6E5-44118-01-94 | 14 - 44 | 6E5-44553-01-8D | 16 - 27 | 663-45376-00-94 | 20 - 10 | | 22 - 66 | 6E5-45972-10 | 21 - 23 |
| 64E-43828-00 | 17 - 22 | 6E5-44120-03 | 14 - 51 | 6G5-44555-00-94 | 16 - 16 | 6E5-45378-00 | 20 - 12 | 6G5-45577-02-40 | 20 - 65 | 6G5-45972-02-98 | 21 - 22 |
| 64E-43829-00 | 17 - 23 | 6E5-44120-23 | 14 - 51 | 6E5-44575-00 | 16 - 15 | 6J8-45378-00 | 22 - 13 | | 22 - 66 | 6K1-45972-01-98 | 23 - 19 |
| 64E-43830-00 | 18 - 4 | 68F-44121-00 | 14 - 38 | 663-44575-00 | 16 - 37 | 6G5-45383-01 | 20 - 68 | 6G5-45577-02-50 | 20 - 65 | 6E5-45974-10 | 21 - 23 |
| 64E-43831-00 | 18 - 2 | 6E5-44122-00 | 14 - 39 | 6E5-45111-02-8D | 19 - 1 | | 22 - 68 | | 22 - 66 | 6G5-45974-03-98 | 21 - 22 |
| 64E-4384J-00 | 17 - 18 | 6G5-44150-02 | 20 - 19 | 6E5-45111-23-8D | 19 - 1 | 6G5-45384-00 | 20 - 69 | 6K1-45578-01-10 | 22 - 62 | 6K1-45974-02-98 | 23 - 19 |
| 64E-43841-00 | 18 - 7 | 6K1-44150-01 | 22 - 18 | 6G5-45113-A1 | 19 - 14 | | 22 - 69 | 6K1-45578-01-12 | 22 - 62 | 6E5-45976-10 | 21 - 23 |
| 64E-43843-00 | 18 - 6 | 688-44194-00 | 14 - 14 | | 32 - 19 | 6K1-45392-00 | 23 - 20 | 6K1-45578-01-15 | 22 - 62 | 6G5-45976-01-98 | 21 - 22 |
| 64E-43843-10 | 18 - 38 | | 14 - 28 | 6G5-45114-A0 | 19 - 21 | 6G5-45501-01 | 20 - 43 | 6K1-45578-01-18 | 22 - 62 | 6E5-45978-10 | 21 - 23 |
| 64E-43850-00 | 18 - 15 | 61A-44311-01 | 20 - 22 | | 33 - 3 | 6G5-45501-21 | 20 - 43 | 6K1-45578-01-30 | 22 - 62 | 6G5-45978-03-98 | 21 - 22 |
| 64E-43851-00 | 18 - 11 | | 22 - 21 | 663-45119-00 | 15 - 14 | | 22 - 42 | 6K1-45578-01-40 | 22 - 62 | 6K1-45978-02-98 | 23 - 19 |
| 64E-43855-00 | 18 - 14 | 6E5-44312-00 | 20 - 27 | | 15 - 25 | 6G5-45536-01 | 20 - 9 | 6K1-45578-01-50 | 22 - 62 | 6E5-45987-01 | 23 - 17 |
| 6E5-43858-00 | 17 - 28 | | 22 - 26 | 6E5-45123-00 | 19 - 31 | | 22 - 10 | 6E5-45587-01-10 | 20 - 37 | | 23 - 14 |
| 64E-43858-00 | 18 - 12 | 6E5-44315-A0 | 20 - 31 | | 33 - 6 | 6G5-45551-01 | 20 - 44 | | 22 - 36 | 6E5-45994-10 | 21 - 25 |
| | 18 - 18 | | 22 - 30 | 64D-45123-00 | 19 - 38 | | 22 - 43 | 6E5-45587-01-12 | 20 - 37 | 688-45997-01 | 21 - 18 |
| 72X-43858-00 | 18 - 5 | | 33 - 13 | 6E5-45155-00 | 19 - 4 | 6G5-45551-10 | 20 - 44 | | 22 - 36 | | 23 - 15 |
| 64E-43859-00 | 18 - 13 | | 33 - 24 | 6J9-45214-00 | 21 - 8 | | 22 - 43 | 6E5-45587-01-15 | 20 - 37 | 704-48119-20 | 29 - 78 |
| 6H1-4386K-10 | 18 - 29 | 6R3-44322-42 | 20 - 23 | | 23 - 8 | 6G5-45560-01 | 20 - 46 | | 22 - 36 | EL8-48127-00 | 29 - 25 |
| 64E-43860-00 | 18 - 20 | | 33 - 29 | 6J9-45215-00 | 21 - 9 | 6G5-45560-10 | 20 - 46 | 6E5-45587-01-18 | 20 - 37 | 704-48128-00 | 29 - 71 |
| 6E5-43862-00 | 17 - 10 | 61A-44322-02 | 20 - 23 | | 23 - 9 | 6K1-45560-01 | 22 - 45 | | 22 - 36 | 6A5-48129-10 | 29 - 12 |
| | 17 - 14 | | 22 - 22 | 6G5-45251-02 | 15 - 2 | 6G5-45567-01-10 | 20 - 5 | 6E5-45587-01-30 | 20 - 37 | 704-48144-00 | 29 - 57 |
| 6G5-43863-00 | 18 - 10 | | 33 - 19 | 6G5-45300-15-8D | 20 - 1 | | 22 - 6 | | 22 - 36 | 703-48152-00 | 28 - 57 |
| 6E5-43864-00 | 17 - 20 | 6G5-44323-00 | 20 - 30 | 6G5-45300-16-8D | 20 - 1 | 6G5-45567-01-12 | 20 - 5 | 6E5-45587-01-40 | 20 - 37 | EL8-48153-10 | 29 - 63 |
| 6G5-43864-00 | 17 - 19 | | 22 - 29 | 6G5-45300-25-8D | 20 - 1 | | 22 - 6 | | 22 - 36 | 703-48153-00 | 28 - 3 |
| 6G5-43865-00 | 18 - 35 | | 33 - 23 | 6G5-45300-26-8D | 20 - 1 | 6G5-45567-01-15 | 20 - 5 | 6E5-45587-01-50 | 20 - 37 | 704-48156-00 | 29 - 72 |
| 64E-43865-00 | 18 - 16 | 6G5-44323-40 | 20 - 30 | 6K1-45300-24-8D | 22 - 1 | | 22 - 6 | | 22 - 36 | EL8-48158-00 | 29 - 31 |
| 64E-43866-00 | 17 - 9 | | 33 - 30 | 6K1-45300-25-8D | 22 - 1 | 6G5-45567-01-18 | 20 - 5 | 6J9-45611-01 | 20 - 48 | EL8-48164-00 | 29 - 46 |
| 64E-43867-00 | 17 - 8 | 6E5-44352-01 | 20 - 28 | 6J9-45301-04-8D | 20 - 2 | | 22 - 6 | 6K1-45611-10 | 22 - 47 | 704-48166-00 | 29 - 64 |
| 64E-43868-00 | 18 - 3 | | 22 - 27 | | 22 - 2 | 6G5-45567-01-30 | 20 - 5 | 6G5-45631-00 | 20 - 56 | 704-48176-10 | 29 - 58 |
| 64E-43869-00 | 17 - 26 | | 33 - 22 | 6E5-45318-00 | 19 - 35 | | 22 - 6 | | 22 - 55 | 704-48178-00 | 29 - 76 |
| 64E-4387A-00 | 18 - 23 | 6E5-44361-00 | 21 - 2 | 6E5-45321-00 | 20 - 15 | 6G5-45567-01-40 | 20 - 5 | 6G5-45631-10 | 20 - 56 | 703-48189-00 | 28 - 17 |
| 6E5-43872-00 | 17 - 12 | 6E5-44361-20 | 21 - 2 | | 22 - 14 | | 22 - 6 | | 22 - 55 | EL8-48191-00 | 29 - 18 |
| 64E-43873-00 | 18 - 24 | | 23 - 2 | 6E5-45331-00-94 | 20 - 34 | 6G5-45567-01-50 | 20 - 5 | 6E5-45633-01 | 20 - 57 | 703-48192-00 | 29 - 59 |
| 6E5-43874-01 | 17 - 21 | 6E5-44365-00 | 20 - 26 | | 22 - 33 | | 22 - 6 | | 22 - 56 | 704-48192-00 | 29 - 49 |
| 64E-43875-00 | 18 - 25 | | 21 - 3 | 6J9-45332-00-94 | 20 - 58 | 6K1-45570-01 | 22 - 59 | 6E5-45634-01 | 20 - 50 | 704-48193-00 | 29 - 54 |
| 64E-43879-00 | 18 - 27 | | 22 - 25 | 6K1-45332-01-94 | 22 - 57 | 6K1-45570-20 | 22 - 59 | | 22 - 49 | 703-48198-00 | 28 - 14 |
| 64E-43879-10 | 18 - 26 | | 23 - 3 | 688-45341-10 | 20 - 7 | 6G5-45571-02 | 20 - 60 | 6E5-45641-02 | 20 - 49 | 703-48205-17 | 27 - 1 |
| 64E-4388E-00 | 17 - 25 | | 33 - 7 | | 22 - 8 | 6G5-45576-00 | 20 - 61 | 6K1-45641-01 | 22 - 48 | | 28 - 1 |
| 64E-4388E-10 | 18 - 1 | 6E5-44366-00 | 21 - 1 | 6E5-45344-00 | 20 - 40 | 6K1-45576-00 | 22 - 60 | 6G5-45930-00-98 | 21 - 22 | 704-48207-23 | 27 - 2 |
| 64E-4388J-00 | 17 - 3 | | 23 - 1 | | 22 - 39 | 6G5-45577-02-10 | 20 - 65 | 6G5-45932-00-98 | 21 - 22 | | 29 - 1 |
| 64E-43880-01 | 18 - 28 | | 33 - 8 | 6E5-45371-10 | 21 - 24 | | 22 - 66 | 6G5-45941-01-98 | 21 - 22 | 703-48211-01 | 28 - 61 |
| 64E-43883-00 | 17 - 11 | 6E5-44391-00 | 13 - 14 | 6J9-45371-01 | 21 - 12 | 6G5-45577-02-12 | 20 - 65 | 6G5-45945-01-98 | 21 - 22 | 703-48212-00 | 28 - 58 |
| 64E-43891-00 | 18 - 31 | 6E5-44511-00-5B | 16 - 38 | 6K1-45371-02 | 23 - 12 | | 22 - 66 | 6G5-45947-01-98 | 21 - 22 | 703-48213-00 | 28 - 59 |
| 64E-43892-00 | 18 - 34 | 6G5-44514-00-94 | 16 - 31 | 64D-45375-00 | 19 - 39 | 6G5-45577-02-15 | 20 - 65 | 6G5-45949-00-98 | 21 - 22 | 703-48215-00 | 28 - 43 |
| 6E5-43896-00 | 18 - 9 | 6G5-44526-00 | 15 - 3 | 688-45375-00 | 20 - 11 | | 22 - 66 | 6G5-45952-00-98 | 21 - 22 | 704-48215-10 | 29 - 14 |

NUMERICAL INDEX
INDICE NUMERICO

| PART NO. CODIGO NO. | REF. NO. | PART NO. CODIGO NO. | REF. NO. | PART NO. CODIGO NO. | REF. NO. | PART NO. CODIGO NO. | REF. NO. | PART NO. CODIGO NO. | REF. NO. | PART NO. CODIGO NO. | REF. NO. |
|------------------------|-------------|------------------------|-------------|------------------------|-------------|------------------------|-------------|------------------------|-------------|------------------------|-------------|
| 703-48219-00 | 28 - 30 | 704-48265-00 | 29 - 4 | 61A-81809-00 | 12 - 3 | 703-82540-00 | 28 - 50 | 72X-85075-L0 | 18 - 21 | 90119-08M94 | 2 - 10 |
| 704-48219-00 | 29 - 56 | 704-48266-00 | 29 - 10 | 6N7-81810-00 | 12 - 5 | 704-82540-10 | 29 - 11 | 6G6-85510-01 | 9 - 2 | 90119-08027 | 19 - 9 |
| 703-48221-00 | 28 - 56 | 703-48268-00 | 28 - 5 | 6N7-81813-00 | 12 - 9 | 6R3-82553-30 | 30 - 18 | 663-85518-00 | 14 - 10 | 90119-10M89 | 21 - 7 |
| 704-48221-00 | 29 - 77 | EL8-48271-00 | 29 - 24 | 6E5-8182A-10 | 12 - 17 | 6R3-82553-70 | 30 - 17 | 6R3-85537-00 | 10 - 20 | | 23 - 7 |
| 703-48222-00 | 28 - 27 | 703-48271-00 | 28 - 60 | 6E5-8182E-10 | 12 - 15 | 6R3-82553-80 | 30 - 17 | 6G6-85540-00 | 10 - 13 | 90149-05M05 | 31 - 18 |
| 704-48222-00 | 29 - 36 | EL8-48279-00 | 29 - 53 | 6E5-8182F-10 | 12 - 16 | 682-82556-00 | 28 - 48 | 6R3-85542-03-1S | 10 - 16 | 90152-05M08 | 21 - 10 |
| 703-48223-00 | 28 - 28 | EL8-48281-00 | 29 - 13 | 6K7-8182G-10 | 12 - 6 | | 31 - 6 | 6G6-85550-02 | 9 - 1 | | 23 - 10 |
| 703-48225-00 | 28 - 29 | 703-48281-00 | 28 - 31 | 6E5-8182K-10 | 12 - 18 | 688-82560-10 | 11 - 19 | 6R3-85570-01 | 11 - 6 | 90157-06M00 | 14 - 26 |
| 704-48225-00 | 29 - 48 | 704-48281-00 | 29 - 15 | 6N7-81820-10 | 12 - 10 | 703-82563-02 | 28 - 55 | 6G6-85580-00 | 9 - 3 | 90157-06M01 | 13 - 31 |
| 703-48226-00 | 28 - 26 | 703-48282-00 | 28 - 32 | 6E5-81822-02-98 | 12 - 19 | 704-82563-E0 | 29 - 69 | 6K1-85830-01 | 31 - 12 | | 13 - 34 |
| 703-48227-00 | 28 - 24 | 704-48282-00 | 29 - 62 | 61A-81824-00 | 12 - 4 | 704-82563-F0 | 29 - 73 | 64D-86110-00 | 11 - 20 | 90157-06013 | 14 - 11 |
| 704-48228-00 | 29 - 38 | EL8-48283-00 | 29 - 19 | 6K7-81826-10 | 12 - 14 | 704-82563-31 | 29 - 39 | 6G5-87149-10 | 11 - 28 | 90159-06M11 | 10 - 21 |
| 704-48228-10 | 29 - 70 | 703-48284-00 | 28 - 52 | 6N7-81830-00 | 12 - 13 | 6E3-8257H-00 | 13 - 43 | 90101-09M70 | 26 - 9 | 90170-09M05 | 26 - 10 |
| 704-48229-00 | 29 - 40 | 704-48284-00 | 29 - 65 | 6N7-81840-00 | 12 - 7 | 6K1-82570-07 | 31 - 1 | 90101-12M03 | 15 - 40 | 90170-14M06 | 26 - 6 |
| 704-48229-10 | 29 - 68 | 704-48285-00 | 29 - 74 | 6N7-81840-10 | 12 - 2 | 6K1-82571-01 | 31 - 2 | 90105-10M00 | 21 - 13 | 90170-16M01 | 20 - 45 |
| EL8-48231-00 | 29 - 27 | 704-48286-00 | 29 - 75 | 6N7-81857-00 | 12 - 12 | 6K1-82575-00 | 31 - 5 | | 23 - 13 | | 22 - 44 |
| EL8-48232-00 | 29 - 45 | 701-48287-00 | 28 - 42 | 61A-81941-00 | 11 - 24 | 688-82575-01 | 28 - 47 | 90105-10M20 | 2 - 9 | 90170-20137 | 9 - 8 |
| 703-48232-00 | 28 - 62 | 704-48287-00 | 29 - 22 | 6G5-81948-11 | 11 - 31 | 703-82577-00 | 28 - 45 | 90109-08022 | 3 - 22 | 90171-18M04 | 21 - 20 |
| EL8-48233-00 | 29 - 60 | 703-48291-10 | 28 - 39 | 6E5-8195A-00 | 11 - 27 | | 31 - 4 | 90109-12M37 | 16 - 35 | | 23 - 17 |
| EL8-48234-00 | 29 - 55 | 703-48293-10 | 28 - 41 | 6E5-81950-00 | 11 - 26 | 6K1-8258A-40 | 31 - 22 | 90109-14M34 | 16 - 20 | 90179-06066 | 16 - 30 |
| 703-48234-00 | 28 - 18 | 701-48320-00 | 27 - 3 | 704-81950-00 | 29 - 66 | 688-8258A-20 | 28 - 49 | 90116-06M30 | 5 - 16 | 90183-05M02 | 19 - 30 |
| 703-48235-00 | 28 - 4 | 701-48320-40 | 27 - 3 | 689-81952-10 | 11 - 25 | 6E5-82588-00 | 13 - 37 | 90116-08M45 | 2 - 11 | 90185-05002 | 21 - 11 |
| | 29 - 61 | 701-48320-50 | 27 - 3 | 6G5-81960-A0 | 10 - 1 | 6G6-82590-00 | 11 - 12 | 90119-06MA2 | 2 - 22 | | 23 - 11 |
| 703-48236-00 | 28 - 16 | 701-48320-70 | 27 - 3 | 688-81961-01 | 10 - 8 | 704-82590-10 | 29 - 67 | | 2 - 26 | 90185-09M01 | 25 - 6 |
| 703-48238-00 | 28 - 22 | 701-48320-80 | 27 - 3 | 6K1-81980-00 | 31 - 17 | 703-82591-00 | 28 - 53 | | 3 - 7 | | 26 - 11 |
| | 29 - 44 | 701-48320-90 | 27 - 3 | 6G5-82105-02 | 11 - 36 | 703-82592-00 | 28 - 54 | | 3 - 15 | 90185-12M12 | 16 - 36 |
| EL8-48241-00 | 29 - 28 | 6E5-48344-00 | 14 - 7 | 6E5-82116-00 | 11 - 30 | 6E5-82594-00 | 13 - 40 | | 4 - 23 | 90185-22M11 | 15 - 20 |
| 704-48242-00 | 29 - 47 | | 14 - 42 | 6E5-82117-01 | 11 - 37 | 688-82594-00 | 11 - 14 | | 14 - 37 | 90201-06068 | 7 - 14 |
| 703-48243-00 | 28 - 15 | 703-48345-01 | 28 - 19 | 6Y5-82117-00 | 30 - 16 | 703-82594-00 | 28 - 25 | 90119-06MA3 | 5 - 18 | 90201-08M13 | 14 - 21 |
| EL8-48244-00 | 29 - 34 | | 29 - 21 | 6G5-82119-00 | 11 - 29 | 704-82594-00 | 29 - 37 | 90119-06MA4 | 4 - 6 | 90201-08M14 | 17 - 30 |
| 703-48244-00 | 28 - 21 | 701-48350-20 | 27 - 3 | 6E5-82147-00 | 15 - 26 | 688-83383-11 | 31 - 11 | 90119-06MA5 | 4 - 16 | 90201-08M23 | 14 - 16 |
| EL8-48245-00 | 29 - 35 | 703-48358-00 | 28 - 20 | 6E5-82147-20 | 15 - 26 | 703-83383-02 | 28 - 51 | 90119-06MA6 | 4 - 10 | 90201-08M54 | 13 - 21 |
| 703-48245-00 | 28 - 11 | | 29 - 26 | 6E5-82148-00 | 15 - 6 | 6Y5-83514-00 | 30 - 6 | 90119-06M09 | 13 - 7 | 90201-10M20 | 25 - 7 |
| 701-48246-00 | 29 - 5 | 6E5-48531-00 | 14 - 1 | | 15 - 10 | 6Y5-83517-00 | 30 - 3 | | 13 - 13 | 90201-10M76 | 26 - 8 |
| 703-48246-00 | 28 - 23 | 6E5-48538-00 | 14 - 2 | 6E5-82149-00 | 16 - 19 | 6Y5-83518-00 | 30 - 10 | 90119-06M10 | 20 - 18 | 90201-12M05 | 15 - 42 |
| 701-48248-00 | 28 - 13 | 6E5-61301-01 | 26 - 1 | 1E6-82151-00 | 30 - 15 | 6Y5-83523-00 | 30 - 5 | | 22 - 17 | 90201-13M01 | 15 - 41 |
| | 29 - 43 | 6E5-61303-00 | 26 - 5 | 682-82151-00 | 11 - 13 | 6Y5-83536-00 | 30 - 11 | 90119-06M61 | 10 - 19 | 90201-14M56 | 16 - 34 |
| EL8-48251-00 | 29 - 3 | 6E5-61311-11 | 26 - 3 | 6G5-82152-00 | 11 - 41 | 6Y5-83536-10 | 30 - 4 | 90119-06M65 | 9 - 21 | 90201-15M58 | 16 - 21 |
| 703-48252-00 | 28 - 12 | 6E5-61313-00 | 26 - 2 | 6A0-82317-00 | 9 - 19 | 6Y5-83540-14 | 30 - 2 | 90119-08MA3 | 2 - 19 | 90201-16M55 | 16 - 18 |
| EL8-48254-00 | 29 - 29 | 6E5-61315-00 | 26 - 4 | 6G5-82317-00 | 9 - 18 | 6Y5-83544-00 | 30 - 12 | 90119-08MA8 | 4 - 3 | 90201-21M18 | 9 - 7 |
| EL8-48259-00 | 29 - 7 | 6E5-61350-02 | 25 - 1 | 6E3-82370-21 | 11 - 7 | 6Y5-83553-00 | 30 - 14 | 90119-08M14 | 20 - 33 | 90201-23M01 | 3 - 24 |
| 703-48261-01 | 28 - 2 | 6E5-61351-01 | 25 - 2 | 663-82370-01 | 11 - 7 | 6E9-83557-70 | 11 - 34 | | 22 - 32 | 90201-26M57 | 16 - 32 |
| 704-48261-00 | 29 - 17 | 6E5-61355-00 | 25 - 5 | 6K1-82510-06 | 31 - 3 | 6E5-83558-00 | 21 - 15 | | 33 - 26 | 90201-26M59 | 15 - 19 |
| 704-48262-00 | 29 - 8 | 6E5-81332-00 | 9 - 14 | 703-82510-43 | 28 - 44 | 6E5-83558-10 | 20 - 14 | 90119-08M22 | 13 - 23 | 90201-30M92 | 20 - 66 |
| 702-48263-00 | 29 - 52 | 6G5-81337-00 | 9 - 17 | 6R3-82519-00 | 10 - 24 | 6K1-83614-01 | 31 - 7 | 90119-08M57 | 12 - 22 | 90201-38M60 | 16 - 11 |
| 703-48264-00 | 28 - 6 | 6N7-81800-10 | 12 - 1 | 662-82519-00 | 10 - 23 | 688-83664-00 | 30 - 13 | 90119-08M76 | 12 - 20 | 90202-08M20 | 14 - 40 |
| 704-48264-00 | 29 - 9 | 6N7-81801-00 | 12 - 8 | 6E5-82531-10 | 11 - 11 | 6Y5-83670-12 | 30 - 9 | 90119-08M77 | 12 - 21 | 90202-12092 | 14 - 20 |
| 703-48265-00 | 28 - 9 | 6N7-81807-00 | 12 - 11 | 703-82531-00 | 28 - 46 | 64E-83672-02 | 16 - 3 | 90119-08M79 | 19 - 15 | 90202-16061 | 14 - 54 |

NUMERICAL INDEX
INDICE NUMERICO

| PART NO. CODIGO NO. | REF. NO. | PART NO. CODIGO NO. | REF. NO. | PART NO. CODIGO NO. | REF. NO. | PART NO. CODIGO NO. | REF. NO. | PART NO. CODIGO NO. | REF. NO. | PART NO. CODIGO NO. | REF. NO. |
|------------------------|-------------|------------------------|-------------|------------------------|-------------|------------------------|-------------|------------------------|-------------|------------------------|-------------|
| 90202-26M18 | 16 - 33 | 90445-07M46 | 5 - 11 | 90508-29M12 | 14 - 22 | 92995-06600 | 11 - 22 | 93210-37160 | 22 - 24 | 93501-04M02 | 14 - 47 |
| 90202-32M19 | 16 - 17 | 90445-07M59 | 5 - 13 | 90560-12M01 | 25 - 4 | | 11 - 33 | | 33 - 12 | 93503-16003 | 20 - 54 |
| 90202-40M47 | 16 - 7 | 90445-09097 | 4 - 17 | 91490-40030 | 21 - 21 | | 11 - 40 | | 33 - 21 | | 22 - 53 |
| 90206-10M04 | 14 - 34 | 90445-13M00 | 8 - 4 | | 23 - 18 | | 13 - 18 | 93210-55M14 | 20 - 39 | 93507-32009 | 20 - 52 |
| 90206-13M10 | 13 - 6 | | 24 - 15 | 91690-30012 | 14 - 3 | | 13 - 29 | | 22 - 38 | | 22 - 51 |
| | 13 - 12 | 90445-13M01 | 8 - 2 | 91690-30020 | 15 - 35 | | 13 - 39 | | 33 - 15 | 93511-32017 | 20 - 53 |
| 90249-06M19 | 15 - 33 | | 24 - 13 | 92780-06020 | 29 - 30 | | 15 - 8 | 93210-58144 | 20 - 16 | | 22 - 52 |
| 90250-08M07 | 20 - 55 | 90446-15M07 | 7 - 53 | 92903-05100 | 10 - 6 | | 19 - 7 | | 22 - 15 | 93606-12019 | 20 - 32 |
| | 22 - 54 | 90464-07M05 | 5 - 14 | 92903-05600 | 7 - 28 | 92995-08100 | 14 - 5 | | 33 - 9 | | 22 - 31 |
| 90266-06M02 | 1 - 6 | 90464-12M00 | 9 - 5 | 92903-06100 | 10 - 7 | | 15 - 17 | 93210-74M35 | 3 - 14 | | 33 - 25 |
| 90266-06009 | 1 - 5 | 90465-05M87 | 11 - 15 | 92903-06600 | 2 - 17 | | 19 - 17 | | 32 - 13 | 93608-12M05 | 19 - 8 |
| 90280-04M05 | 20 - 29 | 90465-06M86 | 9 - 4 | | 5 - 34 | | 19 - 19 | 93210-86M38 | 20 - 24 | | 19 - 13 |
| | 22 - 28 | | 11 - 3 | | 9 - 10 | 92995-08600 | 12 - 25 | | 22 - 23 | | 21 - 4 |
| | 33 - 27 | 90465-08M63 | 15 - 23 | | 10 - 12 | | 19 - 23 | | 33 - 11 | | 23 - 4 |
| 90280-05015 | 9 - 6 | 90465-08M89 | 11 - 16 | 92903-08600 | 14 - 46 | | 19 - 27 | | 33 - 20 | 93608-12063 | 2 - 8 |
| 90282-04M00 | 20 - 67 | 90465-10M91 | 5 - 15 | 92990-05100 | 30 - 8 | | 19 - 34 | 93210-97M55 | 20 - 64 | 93700-06M03 | 14 - 50 |
| | 22 - 67 | 90465-11M10 | 7 - 4 | | 31 - 9 | | 20 - 42 | | 22 - 65 | | 15 - 13 |
| 90340-08002 | 20 - 6 | | 7 - 20 | | 31 - 20 | | 22 - 41 | | 33 - 16 | | 15 - 24 |
| | 22 - 7 | | 7 - 21 | 92990-05200 | 10 - 4 | 92995-10100 | 16 - 26 | 93211-04001 | 3 - 6 | 94702-00160 | 4 - 26 |
| 90340-14M00 | 2 - 6 | | 7 - 25 | 92990-05300 | 29 - 41 | | 16 - 40 | | 32 - 10 | 94702-00247 | 4 - 26 |
| 90386-06M12 | 14 - 43 | | 7 - 44 | 92990-05600 | 5 - 5 | | 21 - 6 | 93306-208U0 | 3 - 9 | 95303-06600 | 14 - 13 |
| 90386-10M16 | 15 - 31 | | 7 - 45 | | 31 - 21 | | 23 - 6 | 93306-209U0 | 20 - 59 | | 14 - 27 |
| 90386-12089 | 14 - 17 | | 7 - 51 | 92990-06100 | 31 - 15 | 92995-14600 | 16 - 23 | 93310-323V6 | 3 - 23 | 95380-03600 | 7 - 38 |
| 90386-13M38 | 13 - 5 | | 7 - 52 | 92990-06200 | 10 - 5 | 93101-22M15 | 3 - 13 | 93310-836V2 | 3 - 25 | 95380-05600 | 10 - 2 |
| | 13 - 11 | | 15 - 21 | 92990-06300 | 29 - 51 | | 32 - 12 | 93310-954U1 | 3 - 8 | | 14 - 24 |
| 90386-16M66 | 14 - 53 | | 16 - 5 | 92990-06600 | 1 - 16 | 93101-28M16 | 20 - 35 | 93311-928U5 | 20 - 3 | | 14 - 30 |
| 90386-22M13 | 14 - 19 | | 21 - 16 | | 10 - 15 | | 22 - 34 | | 22 - 3 | | 28 - 7 |
| 90386-22M98 | 15 - 38 | 90465-12M25 | 11 - 38 | | 13 - 32 | | 33 - 14 | 93311-940U3 | 3 - 4 | | 29 - 23 |
| | 17 - 33 | 90465-13M18 | 4 - 25 | | 13 - 35 | 93101-30M17 | 20 - 63 | 93315-425V3 | 20 - 47 | | 30 - 7 |
| 90386-25M31 | 15 - 18 | | 11 - 35 | | 15 - 12 | | 22 - 64 | | 22 - 46 | | 31 - 10 |
| 90386-38M32 | 16 - 12 | 90468-18008 | 14 - 8 | | 31 - 16 | | 33 - 17 | 93315-430U8 | 20 - 62 | | 31 - 19 |
| 90387-06M03 | 10 - 17 | | 14 - 41 | 92990-08600 | 12 - 23 | 93102-08M43 | 18 - 36 | | 22 - 63 | 95380-06600 | 1 - 17 |
| 90387-06M29 | 14 - 33 | 90480-06M19 | 8 - 8 | | 28 - 34 | 93102-35M13 | 3 - 12 | 93317-330U2 | 20 - 36 | | 5 - 20 |
| 90387-08M16 | 14 - 18 | 90480-09M12 | 10 - 18 | 92990-18200 | 21 - 19 | | 32 - 11 | | 22 - 35 | | 10 - 3 |
| 90387-08M37 | 13 - 20 | 90480-10M36 | 13 - 25 | | 23 - 16 | 93102-40M14 | 3 - 5 | 93332-000V3 | 20 - 4 | | 28 - 40 |
| 90387-10M05 | 15 - 34 | 90480-12M25 | 10 - 22 | 92995-05600 | 10 - 10 | | 32 - 9 | 93332-00048 | 22 - 58 | | 29 - 42 |
| 90387-10M61 | 25 - 3 | 90480-20M05 | 4 - 20 | 92995-06100 | 5 - 21 | 93106-09014 | 20 - 17 | 93341-440U5 | 22 - 61 | | 31 - 14 |
| 90430-08020 | 20 - 8 | 90480-22M15 | 13 - 19 | | 15 - 5 | | 22 - 16 | 93341-465U4 | 22 - 5 | 95380-08700 | 19 - 18 |
| | 22 - 9 | 90480-25161 | 11 - 10 | 92995-06600 | 1 - 10 | | 33 - 10 | 93341-930V2 | 20 - 38 | 95380-12600 | 15 - 43 |
| | 33 - 5 | 90501-11M10 | 20 - 21 | | 5 - 39 | 93210-03261 | 11 - 23 | | 22 - 37 | 95380-14700 | 26 - 7 |
| 90430-14115 | 2 - 7 | | 22 - 20 | | 7 - 18 | 93210-08287 | 8 - 7 | 93390-000U2 | 22 - 4 | 95380-14800 | 16 - 22 |
| 90445-07ME8 | 20 - 13 | 90501-12082 | 14 - 48 | | 7 - 42 | | 24 - 10 | 93410-16006 | 14 - 55 | 95780-10300 | 16 - 9 |
| 90445-07ME9 | 20 - 13 | 90501-16M11 | 4 - 19 | | 9 - 16 | | 24 - 12 | 93410-22M11 | 15 - 39 | 97013-06016 | 2 - 16 |
| 90445-07MFO | 21 - 14 | 90501-16M12 | 14 - 12 | | 10 - 26 | | 14 - 52 | 93410-37M04 | 16 - 14 | 97013-06020 | 5 - 33 |
| 90445-07M09 | 5 - 12 | 90501-16M28 | 16 - 28 | | 11 - 2 | 93210-09165 | 17 - 4 | 93410-40M03 | 3 - 10 | | 10 - 11 |
| 90445-07M23 | 5 - 30 | 90501-16M37 | 20 - 51 | | 11 - 5 | 93210-10M74 | 17 - 4 | 93420-36M01 | 19 - 36 | 97013-06060 | 9 - 9 |
| 90445-07M28 | 5 - 9 | | 22 - 50 | | 11 - 9 | 93210-16275 | 25 - 9 | 93430-06024 | 28 - 10 | 97013-08030 | 14 - 45 |
| 90445-07M45 | 5 - 10 | 90506-14M24 | 15 - 36 | | 11 - 18 | 93210-37MH7 | 16 - 6 | | 29 - 6 | 97013-08045 | 14 - 15 |
| | | | | | | 93210-37160 | 20 - 25 | | | | |

NUMERICAL INDEX
INDICE NUMERICO

| PART NO. CODIGO NO. | REF. NO. | PART NO. CODIGO NO. | REF. NO. | PART NO. CODIGO NO. | REF. NO. | PART NO. CODIGO NO. | REF. NO. | PART NO. CODIGO NO. | REF. NO. |
|------------------------|-------------|------------------------|-------------|------------------------|-------------|------------------------|-------------|------------------------|-------------|
| 97075-08035 | 13 - 22 | 97885-06010 | 9 - 15 | | | | | | |
| 97075-10045 | 21 - 5 | 97885-06016 | 16 - 4 | | | | | | |
| | 23 - 5 | | 16 - 29 | | | | | | |
| 97080-08016 | 17 - 31 | 97890-05016 | 29 - 2 | | | | | | |
| 97095-06010 | 15 - 7 | 97890-05025 | 29 - 16 | | | | | | |
| | 15 - 28 | 97890-06018 | 29 - 50 | | | | | | |
| | 19 - 6 | 97980-05108 | 6 - 28 | | | | | | |
| 97095-06012 | 10 - 25 | 97980-05116 | 6 - 26 | | | | | | |
| | 11 - 1 | 98503-05035 | 7 - 27 | | | | | | |
| | 11 - 4 | 98580-03015 | 28 - 38 | | | | | | |
| | 11 - 17 | 98580-04006 | 28 - 36 | | | | | | |
| | 11 - 39 | | 29 - 32 | | | | | | |
| 97095-06016 | 1 - 9 | 98580-04010 | 28 - 35 | | | | | | |
| | 7 - 17 | 98580-05010 | 28 - 37 | | | | | | |
| | 11 - 21 | 98586-05016 | 24 - 4 | | | | | | |
| | 11 - 32 | 98780-04015 | 2 - 13 | | | | | | |
| | 13 - 17 | 98780-05018 | 29 - 33 | | | | | | |
| 97095-06020 | 5 - 38 | 98980-05010 | 31 - 8 | | | | | | |
| | 11 - 8 | 98980-06020 | 31 - 13 | | | | | | |
| | 13 - 28 | 99001-08600 | 20 - 20 | | | | | | |
| | 13 - 38 | | 22 - 19 | | | | | | |
| 97095-06025 | 14 - 35 | | | | | | | | |
| 97095-06028 | 7 - 2 | | | | | | | | |
| 97095-06030 | 15 - 4 | | | | | | | | |
| 97095-06050 | 7 - 41 | | | | | | | | |
| 97095-08016 | 12 - 24 | | | | | | | | |
| 97095-08020 | 14 - 4 | | | | | | | | |
| | 15 - 16 | | | | | | | | |
| 97095-08025 | 20 - 41 | | | | | | | | |
| | 22 - 40 | | | | | | | | |
| 97095-08030 | 19 - 22 | | | | | | | | |
| 97095-08045 | 19 - 16 | | | | | | | | |
| | 19 - 26 | | | | | | | | |
| | 19 - 33 | | | | | | | | |
| 97095-10045 | 16 - 25 | | | | | | | | |
| | 16 - 39 | | | | | | | | |
| 97380-05025 | 28 - 8 | | | | | | | | |
| 97380-06018 | 29 - 20 | | | | | | | | |
| 97380-08030 | 28 - 33 | | | | | | | | |
| 97595-06416 | 7 - 13 | | | | | | | | |
| 97595-06514 | 7 - 16 | | | | | | | | |
| 97607-04310 | 18 - 32 | | | | | | | | |
| 97780-60525 | 16 - 2 | | | | | | | | |
| 97880-05016 | 5 - 4 | | | | | | | | |
| 97880-06012 | 15 - 11 | | | | | | | | |
| 97880-06018 | 9 - 13 | | | | | | | | |
| 97880-06020 | 10 - 14 | | | | | | | | |
| 97885-05025 | 10 - 9 | | | | | | | | |

150AET/175AET/200AET/
L150AET/L200AET
PARTS CATALOGUE
©2001 by Yamaha Motor Co., Ltd.
1st Edition, Oct. 2001
All rights reserved.
Any reprinting or unauthorized use
without the written permission of
Yamaha Motor Co., Ltd.
is expressly prohibited.

150AET/175AET/200AET/
L150AET/L200AET
CATALOGO DE REPUESTOS
©2001, Yamaha Motor Co., Ltd.
1ª edición, Oct. 2001
Reservados todos los derechos.
Se prohíbe expresamente toda reimpresión
o utilización no autorizada de este manual
sin el consentimiento por escrito de
Yamaha Motor Co., Ltd.