

**PARTS
CATALOGUE
CATALOGO
DE REPUESTOS**

2CMH'02(6F81)

2A6F8-200S1

YAMAHA
GENUINE
Parts & Accessories

A1

FOREWORD

This Parts Catalogue is related to the parts for the model(s) in the below frame. When you are ordering replacement parts, please refer to this Parts Catalogue and quote both part numbers and part names correctly.

2CMH'02(6F81)

1. Modifications or additions which have been made after issue of the Parts Catalogue will be announced in the Yamaha Parts News.
It is advisable that you make necessary corrections to the Parts Catalogue according to the Yamaha Parts News.

2. Abbreviations

The Following abbreviations are used in this Parts Catalogue.

- “UR” Use specified parts number.
- “UN” Use as many as needed.
- “AP” Alternate Parts
- “LM” Local Made
(Parts need to be ordered locally)
- “O/S” Over Size

3. Parts, which are to be supplied in an assembly, are listed with a dot(.) in front of the part name as shown below.

EXAMPLE
 CARBURETOR ASSY
 .JET, PILOT
 .NOZZLE, MAIN

4. Number of component for assembly

The numeral appearing to the right of each component part indicates the quantity of parts for each assembly unit.

EXAMPLE

PART NO.	DESCRIPTION	□	□	□	□	REMARKS
6E0-85500-70	C.D.I. MAGNETO ASSY	1				
6E0-85550-70	.ROTOR ASSY	1				
6E0-15723-00-94.	.PULLY, STARTER	1				

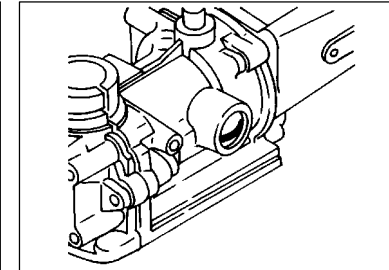
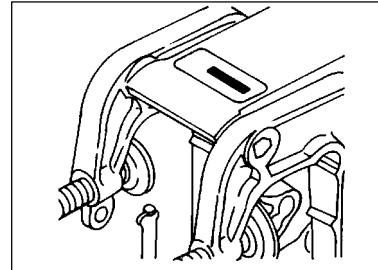
5. Quantity Column Information

NAME for Q'TY COLUMN	APPLICABLE MODEL
2CMH	2CMH

6. Applicable Starting Serial No. and Color Code

1) Engine Starting Serial No.

2CMH 6F8K S : 000543



2) Color Code

Color Code	Color Name	Abbreviation
004D	DARK BLUISH GRAY METALLIC 2	DBNM2

7. Note that the illustrations for reference in finding parts numbers, not to be used for assembling. When assembling, please use the applicable service manual.

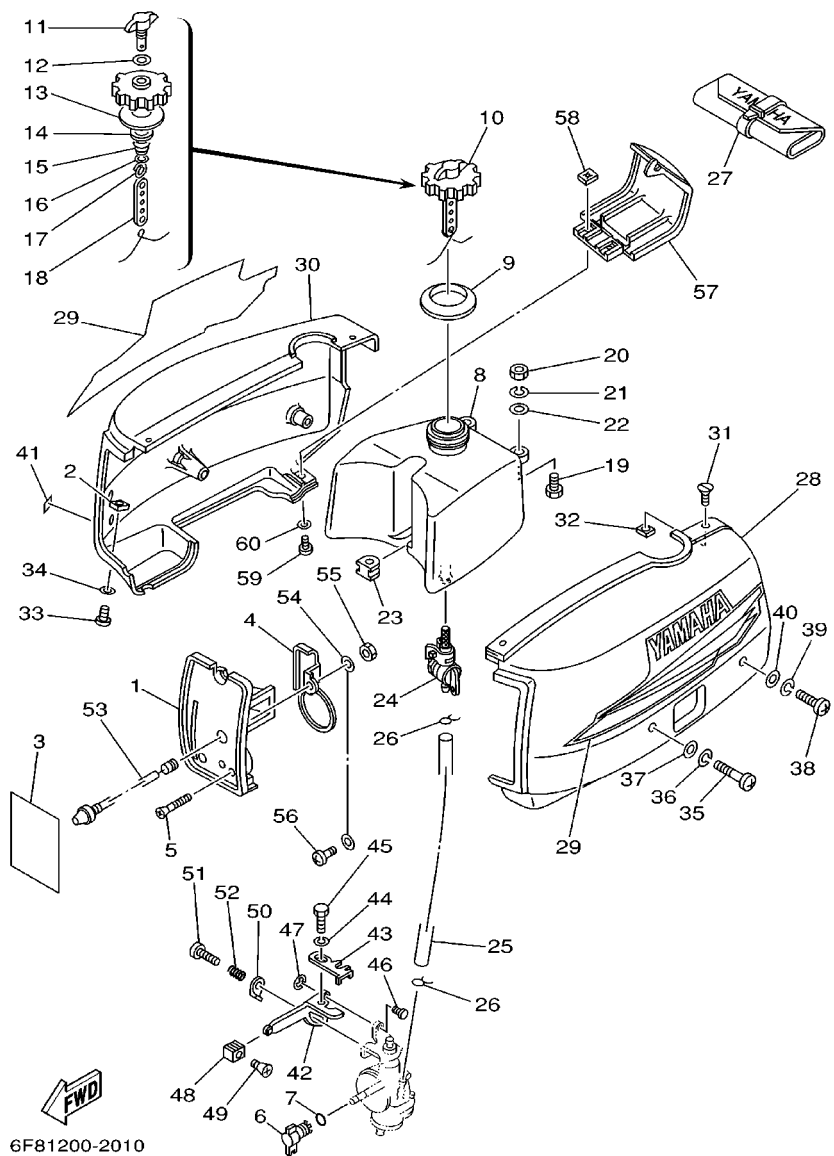
8. The asterisk (*) before a reference number indicates modification items after the first edition.

CONTENTS

COWLING . FUEL	A4
CYLINDER. CRANKCASE	A7
CARBURETOR	B2
STARTER	B4
GENERATOR	B5
BRACKET	B6
UPPER CASING	C1
LOWER CASING. DRIVE	C3
REPAIR KIT	C5

INDEX

NUMERICAL INDEX	C7
-----------------------	----

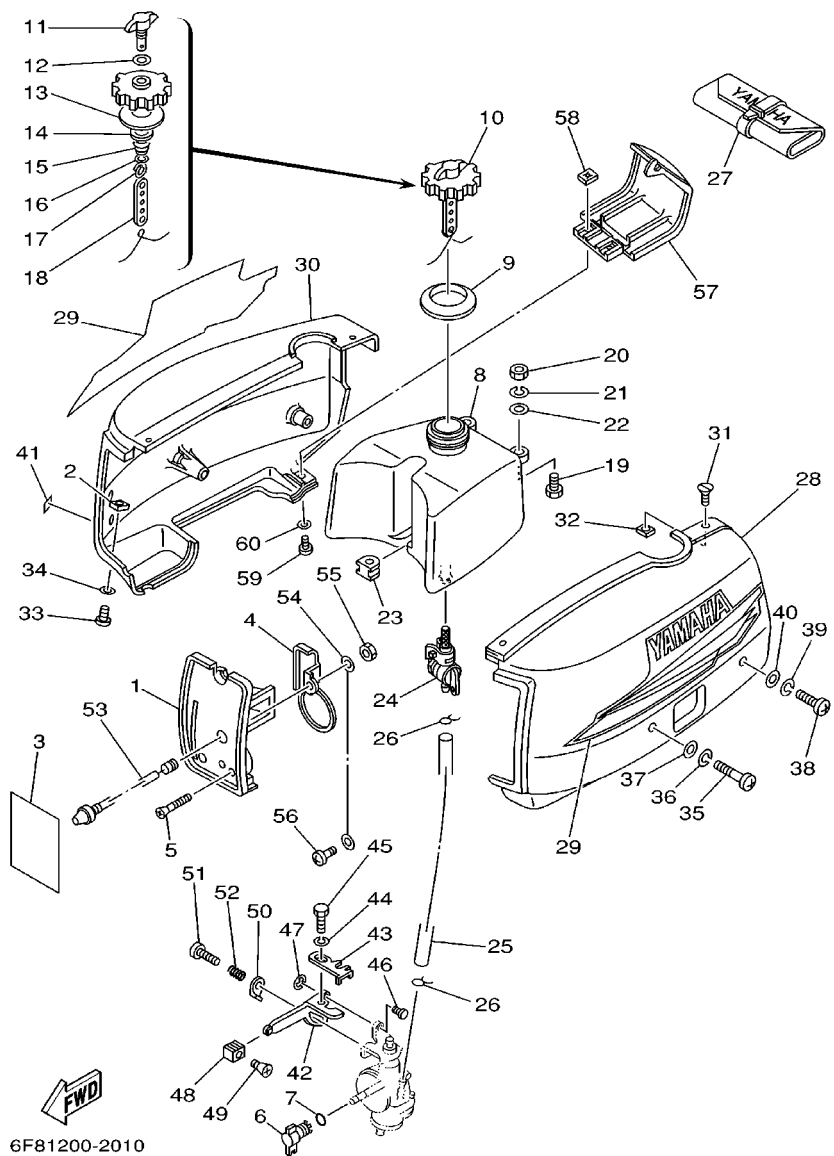


6F81200-2010

FIG. 1 COWLING . FUEL

CUBIERTA Y COMBUSTIBLEF

REF. NO.	PART NO. CODIGO NO.	DESCRIPTION DESCRIPTION	2CMH				REMARKS OBSERVACION
1	6A1-14441-02	SILENCER, INTAKE 2 SILENCIADOR DE ADMISION 2	1				
2	90173-05M00	NUT, SQUARE TUERCA CUADRADA	2				
3	6A1-42677-10	GRAPHIC, FRONT CALCAMONIA FRONTAL	1				
4	6A1-14442-00	SPACER ESPACIADOR	1				
5	90151-04M04	SCREW, COUNTERSUNK TORNILLO EMBUTIDO	2				
6	6A1-41271-00	KNOB, CHOKE PERILLA AHOGADOR	1				
7	93210-08M29	O-RING ANILLO O	1				
8	6A1-24110-01	FUEL TANK COMP. DEPOSITO DE COMBUSTIBLE COMP.	1				
9	6A1-24198-00	SEAT, RUBBER ASIENTO DE GOMA	1				
10	6A1-24610-01	CAP ASSY TAPA COMPLETA	1				
11	6A1-24631-00	SCREW, AIR TORNILLO DE AIRE	1				
12	90430-04005	GASKET JUNTA	1				
13	90430-14117	GASKET JUNTA	1				
14	646-24615-01	GASKET, PLATE 1 EMPAQUE DE PLACA 1	1				
15	90501-10374	SPRING, COMPRESSION RESORTE DE COMPRESION	1				
16	92907-04200	WASHER ARANDELA	1				
17	90501-10260	SPRING, COMPRESSION RESORTE DE COMPRESION	1				
18	646-24241-00	INDICATOR 1 INDICADOR 1	1				
19	97095-06018	BOLT PERNO	2				
20	95380-06600	NUT, HEXAGON TUERCA	2				
21	92995-06100	WASHER, SPRING ARANDELA	2				
22	90201-06M30	WASHER, PLATE ARANDELA PLANA	2				
23	6A1-24181-00	DAMPER, LOCATING 1 AMORTIGUADOR DE MONTAJE	1				
24	6A1-24500-02	FUEL COCK ASSY 1 GRIFO DE COMBUSTIBLE 1	1				
25	6A1-24311-00	PIPE, FUEL 1 TUBO DE COMBUSTIBLE 1	1				
26	90467-08004	CLIP PRESILLA	2				
27	656-W2810-02	TOOL KIT JUEGO DE HERRAMIENTAS	1				



6F81200-2010

FIG. 1 COWLING . FUEL

CUBIERTA Y COMBUSTIBLE

REF. NO.	PART NO. CODIGO NO.	DESCRIPTION DESCRIPTION	2CMH				REMARKS OBSERVACION
28	6A1-42741-11	APRON MANDIL	1				
29	6A1-W0070-14	GRAPHIC SET JUEGO DE EMBLEMA	1				
30	6A1-42771-11	APRON MANDIL	1				
31	98780-05012	SCREW, FLAT HEAD TORNILLO DE CABEZA PLANA	2				
32	90183-05M00	NUT, SPRING TUERCA DE RESORTE	2				
33	97880-05010	SCREW, PAN HEAD TORNILLO DE CABEZA CON PLANA	2				
34	92990-05600	WASHER, PLATE ARANDELA	2				
35	97880-06040	SCREW, PAN HEAD TORNILLO DE CABEZA CON PLANA	2				
36	92990-06100	WASHER, SPRING ARANDELA	2				
37	92990-06600	WASHER, PLATE ARANDELA	2				
38	97880-06025	SCREW, PAN HEAD TORNILLO DE CABEZA CON PLANA	2				
39	92990-06100	WASHER, SPRING ARANDELA	2				
40	92990-06600	WASHER, PLATE ARANDELA	2				
41	6A1-28176-00	LABEL, CAUTION ETIQUETA DE PRECAUCION	1				
42	6A1-41212-01	ARM, ACCEL. BRAZO	1				
43	6A1-41211-00	LINK, ACCEL. ESLABON, ACELERADOR	1				
44	92990-05100	WASHER, SPRING ARANDELA	1				
45	97095-05010	BOLT PERNO	1				
46	6A1-14365-00	PIN, CLEVIS PASADOR	1				
47	93430-04003	CIRCLIP BOLA	1				
48	6A1-41637-00	KNÖB, MAGNETO CONTROL PERILLA CONTROL DEL MAGNETO	1				
49	98780-03010	SCREW, FLAT HEAD TORNILLO DE CABEZA PLANA	1				
50	6A1-41223-00	WASHER, LOCK 1 ARANDERA DE SEGURO1	1				
51	97885-05025	SCREW, PAN HEAD TORNILLO DE CABEZA CON PLANA	1				
52	90501-12M16	SPRING, COMPRESSION RESORTE DE COMPRESION	1				
53	6A1-82550-02	ENGINE STOP SWITCH ASSY INTERRUPTOR DE PARADA COMPLETO	1				
54	6A1-82541-00	WIRE, LEAD CABLE CONDUCTOR	1				

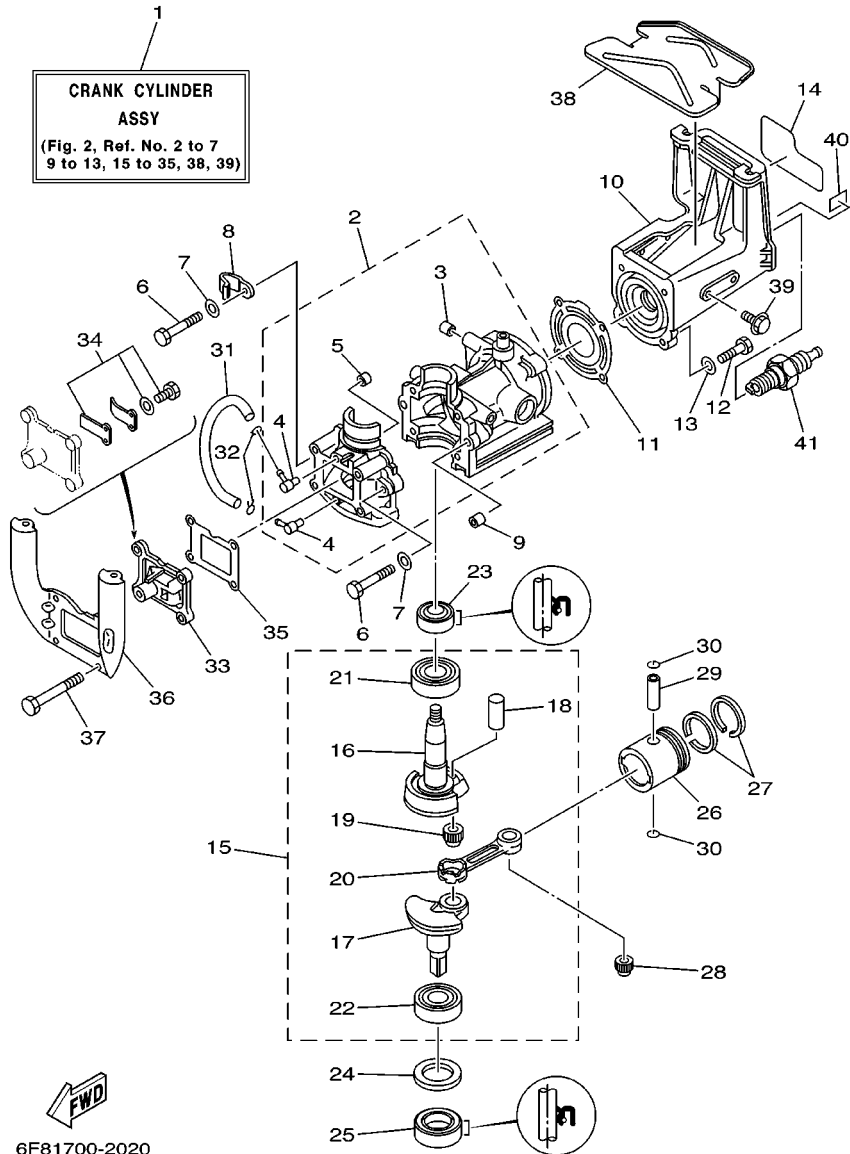
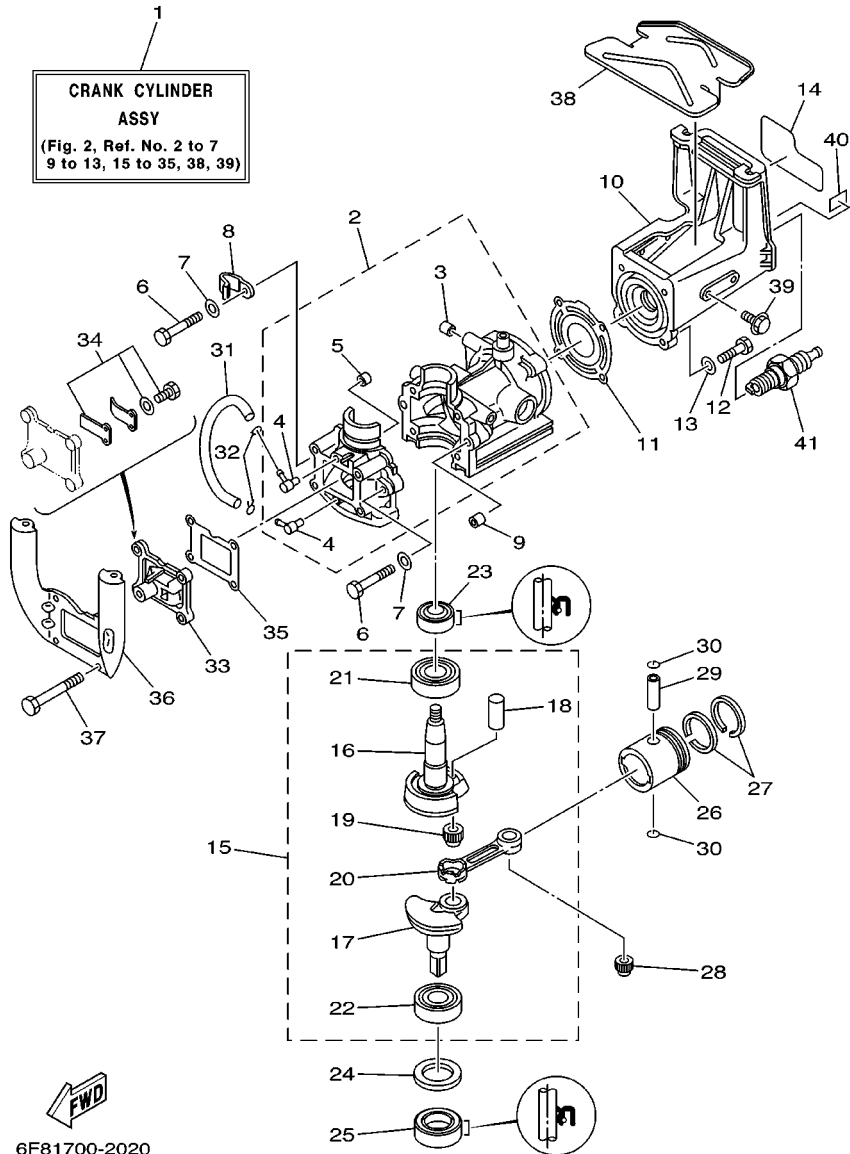


FIG. 2 CYLINDER. CRANKCASE CYLINDRO. CARTER

REF. NO.	PART NO. CODIGO NO.	DESCRIPTION DESCRIPTION	2CMH	REMARKS OBSERVACION
1	6F8-W0090-64-1S	CRANK CYLINDER ASSY BLOQUE MOTOR COMPLETO	1	
2	6F8-15100-61-1S	CRANKCASE ASSY CARTER COMPLETO	1	
3	90336-06001	.PLUG, TAPER .TAPON AHUSADO	1	
4	650-14485-02	.PIPE, JOINT .TUBO DE UNION	2	
5	624-11379-00	.VALVE, CHECK .VALVULA DE CONTROL	1	
6	97013-06040	BOLT PERNO	2	
7	92903-06600	WASHER, PLATE ARANDELA	2	
8	90465-06M86	CLAMP BRIDA	1	
9	99530-10014	PIN, DOWEL PASADOR, DE ESPIGA	2	
10	6A1-11111-02-1S	HEAD, CYLINDER 1 CULATA CILINDRO 1	1	
11	6F8-11181-A1	GASKET, CYLINDER HEAD 1 JUNTA, DE CULATA 1	1	
12	97095-06025	BOLT PERNO	4	
13	92995-06600	WASHER ARANDELA	4	
14	6A1-42678-12	GRAPHIC, REAR CALCAMONIA TRASERA	1	
15	6A1-11400-00	CRANKSHAFT ASSY CIGUENAL COMPLETO	1	
16	646-11412-01	.CRANK 1 .MANIVELA 1	1	
17	6A1-11422-00	.CRANK 2 .MANIVELA 2	1	
18	646-11681-00	.PIN, CRANK 1 .PASADOR MANIVELA 1	1	
19	93310-31439	.BEARING .COJINETE	1	
20	646-11651-02	.ROD, CONNECTING .BIELA	1	
21	93306-00409	.BEARING .COJINETE	1	
22	93306-30204	.BEARING .COJINETE	1	
23	93102-20070	OIL SEAL SELLO ACEITE	1	
24	90201-35300	WASHER, PLATE ARANDELA PLANA	1	
25	93102-15M32	OIL SEAL SELLO ACEITE	1	
26	6F8-11631-00-98	PISTON (STD) PISTON (STD)	1	
	6F8-11635-00	PISTON (0.25MM O/S) PISTON (0.25MM O/S)	1	AP



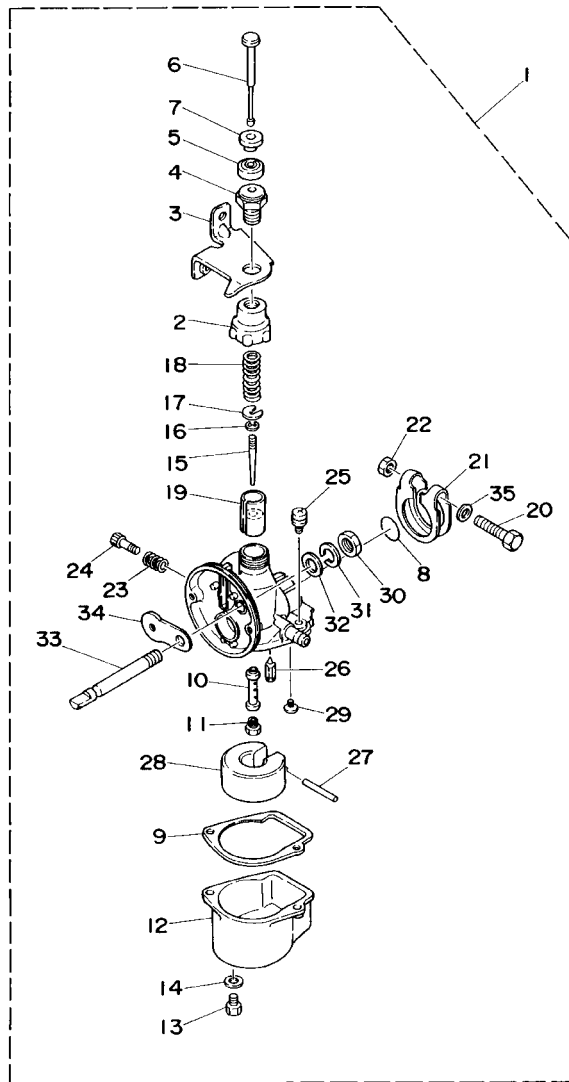
6F81700-2020

FIG. 2 CYLINDER. CRANKCASE CYLINDRO. CARTER

REF. NO.	PART NO. CODIGO NO.	DESCRIPTION DESCRIPTION	2CMH				REMARKS OBSERVACION
26	6F8-11636-00	PISTON (0.50MM O/S) PISTON (0.50MM O/S)	1				AP
27	6F8-11610-00	PISTON RING SET (STD) JUEGO DE AROS (NORMA)	1				AP
	6F8-11610-10	PISTON RING SET (0.25MM O/S) JUEGO DE AROS (0.25MM O/S)	1				AP
	6F8-11610-20	PISTON RING SET (0.50MM O/S) JUEGO DE AROS (0.50MM O/S)	1				AP
28	93310-210V1	BEARING COJINETE	1				
29	646-11633-00	PIN, PISTON PASADOR, PISTON	1				
30	93450-11021	CIRCLIP BOLA	2				
31	90445-07254	HOSE (L118) TUBO (L118)	1				
32	90467-06016	CLIP PRESILLA	2				
33	6A1-13610-00	REED VALVE ASSY VALVULA DE LAMINAS COMPLETA	1				
34	6A1-W0004-00	.REED SET .JUEGO DE VALVULAS DE LENGUETA	1				
35	6A1-13621-00	GASKET, VALVE SEAT JUNTA, DE VALV.DE EMPAQUE	1				
36	6A1-15771-01	STAY 1 SOPORTE 1	1				
37	97013-06060	BOLT PERNO	4				
38	6A1-24141-00	PROTECTOR, FUEL TANK PROTECTOR DEPOSITO COMBUST.	1				
39	95895-06010	BOLT, FLANGE TUERCA DE REBORDE	2				
40	664-42791-10	MARK 1 MARCA 1	1				
41	94702-00272	PLUG, SPARK (NGK BR7HS) BUJIA (NGK BR7HS)	1				

FIG. 3 CARBURETOR

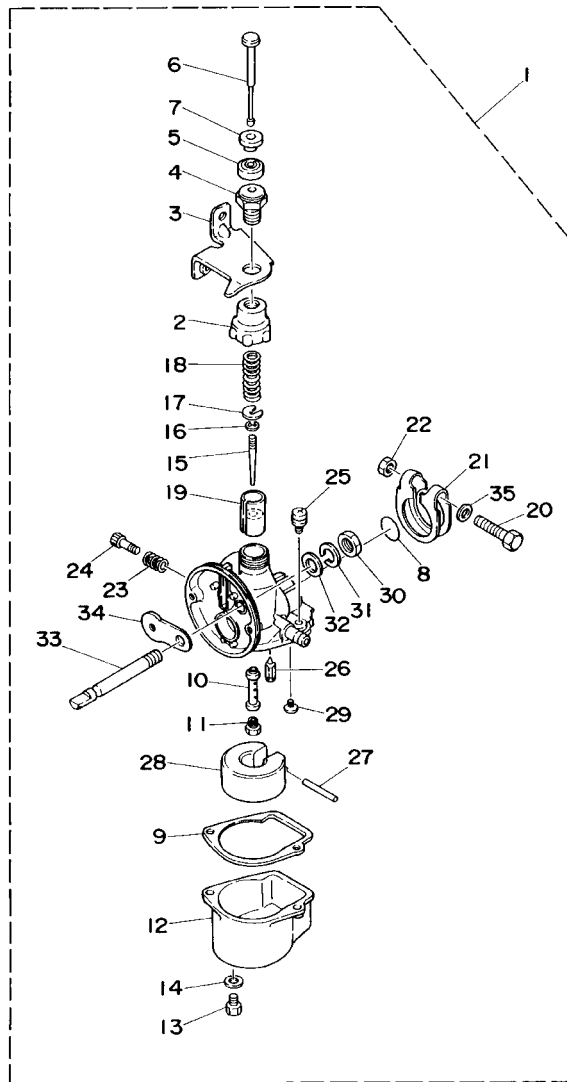
CARBURADOR



REF. NO.	PART NO. CODIGO NO.	DESCRIPTION DESCRIPTION	2CMH				REMARKS OBSERVACION
1	6F8-14301-03	CARBURETOR ASSY 1 CARBURADOR COMPLETO 1	1				
2	646-14158-00	.TOP, MIXING CHAMBER .TECHO DE CAMARA DE MEZCLA	1				
3	6A1-14497-00	.STAY, THROTTLE WIRE .SOPORTE VALVULA DE OBTURACION	1				
4	646-14321-00	.SCREW, THROTTLE .TORNILLO DE OBTURADOR	1				
5	646-14169-00	.CAP .FUNDA	1				
6	6A1-14314-00	.BAR, THROTTLE .BARRA DE ACELERADOR	1				
7	6A1-14163-00	.SPACER .ESPACIADOR	1				
8	646-14229-01	.O-RING .EJE DE AHOGADOR	1				
9	6A1-14384-00	.GASKET, FLOAT CHAMBER .EMPAQUE DE CAMARA DE BOIA	1				
10	6A1-14341-01	.NOZZLE, MAIN .BOQUILLA PRINCIPAL	1				
11	6A1-14343-52	.JET, MAIN (#104) .INYECTOR PRINCIPAL (#104)	1				
12	6A1-14381-02	.BODY, FLOAT CHAMBER .CUERPO DE CAMARA DE BOIA	1				
13	97890-05006	.SCREW, PAN HEAD .TORNILLO DE CABEZA CON PLANA	1				
14	646-14198-01	.GASKET .EMPAQUE	1				
15	6F8-14116-00	.NEEDLE .AGUJA DE SURTIDOR	1				
16	646-14137-00	.CLIP .PRESILLA	1				
17	646-14136-00	.SEAT, SPRING .ASIENTO DE RESORTE	1				
18	646-14331-01	.SPRING, THROTTLE VALVE .RESORTE VALVULA ACELERADOR	1				
19	646-14312-08	.VALVE, THROTTLE 1 .VALVULA DE OBTURADOR 1	1				
20	6A1-14125-01	.SCREW .TORNILLO	1				
21	6A1-14127-01	.CLIP .PRESILLA	1				
22	6A1-14358-01	.NUT .TUERCA	1				
23	6A1-14212-00	.SPRING, PILOT ADJUSTING .RESORTE DE AJUSTE DE PILOTO	1				
24	646-14211-02	.SCREW, PILOT ADJUSTING .TORNILLO DE AJUSTE DE PILOTO	1				
25	97980-04110	.SCREW, WITH WASHER .TORNILLO, CON ARANDELA	2				
26	6A1-14392-00	.VALVE, NEEDLE .VALVULA DE AGUJA	1				
27	6A1-14386-00	.PIN, FLOAT .PASADOR DE BOIA	1				



6A10010-4030



6A10010-4030

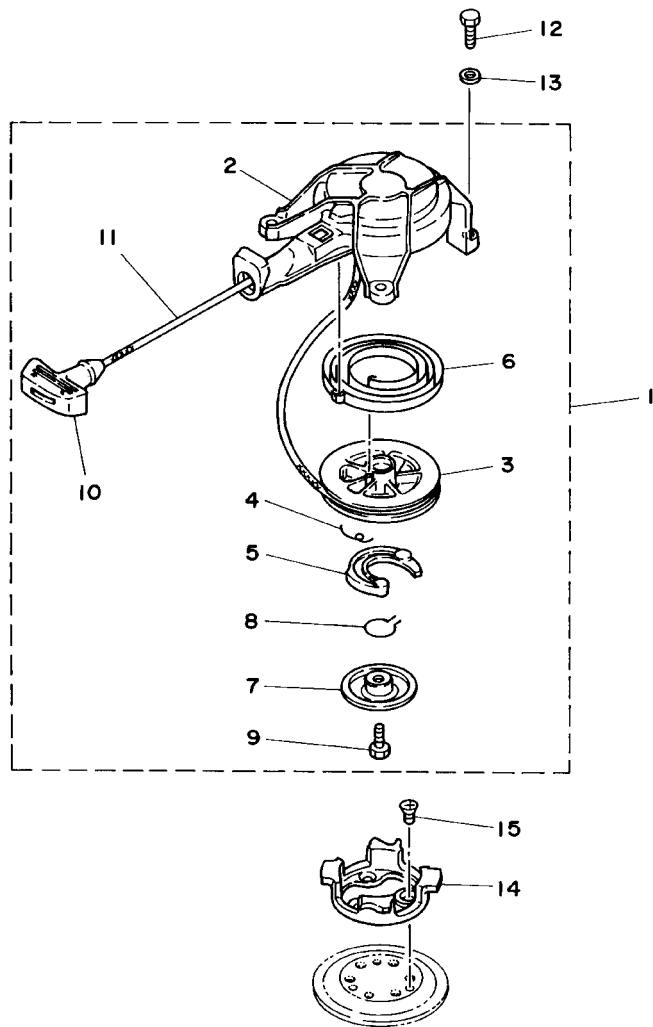
FIG. 3 CARBURETOR

CARBURADOR

REF. NO.	PART NO. CODIGO NO.	DESCRIPTION DESCRIPTION	2CMH				REMARKS OBSERVACION
28	6A1-14385-00	.FLOAT .BOIA	1				
29	98580-03005	.SCREW, PAN HEAD .TORNILLO DE CABEZA CON PLANA	1				
30	646-14358-00	.NUT .TUERCA	1				
31	6A1-14356-00	.WASHER, SPRING .ARANDELA DE RESORTE	1				
32	646-14357-00	.WASHER, PLAIN .ARANDELA	1				
33	6A1-14448-00	.LEVER, CHOKE VALVE .PALANCA DE AHOGADOR	1				
34	6F8-14217-00	.VALVE, CHOKE .VALVULA DE AHOGADOR	1				
35	92990-05600	.WASHER, PLATE .ARANDELA	1				

FIG. 4 STARTER

ARRANQUE



REF. NO.	PART NO. CODIGO NO.	DESCRIPTION DESCRIPTION	2CMH				REMARKS OBSERVACION
1	6A1-15710-00	STARTER ASSY ARRANQUE COMPLETO	1				
2	6A1-15711-00	.CASE, STARTER .CAJA DE ARRANQUE	1				
3	6A1-15714-00	.DRUM, SHEAVE .TAMBOR ROLDANA	1				
4	6A1-15767-00	.SPRING .RESORTE	1				
5	6A1-15741-00	.PAWL, DRIVE .TRINQUETE DE TRACCION	1				
6	6A1-15713-00	.SPRING, STARTER .RESORTE DE ARRANQUE	1				
7	6A1-15717-00	.SHAFT, STARTER .EJE DE ARRANQUE	1				
8	6A1-15705-00	.SPRING, DRIVE PAWL .RESORTE	1				
9	97322-06012	.BOLT .PERNO	1				
10	6A1-15755-02	.HANDLE, STARTER .MANIJA DE ARRANQUE	1				
11	*	.WIRE (L1300) .CUERDA DE ARRANQUE	1				
12	97095-06016	BOLT PERNO	3				
13	92995-06600	WASHER ARANDELA	3				
14	6A1-15723-00-94	PULLEY, STARTER POLEA DE ARRANQUE	1				
15	98703-06012	SCREW, FLAT HEAD TORNILLO DE CABEZA PLANA	3				

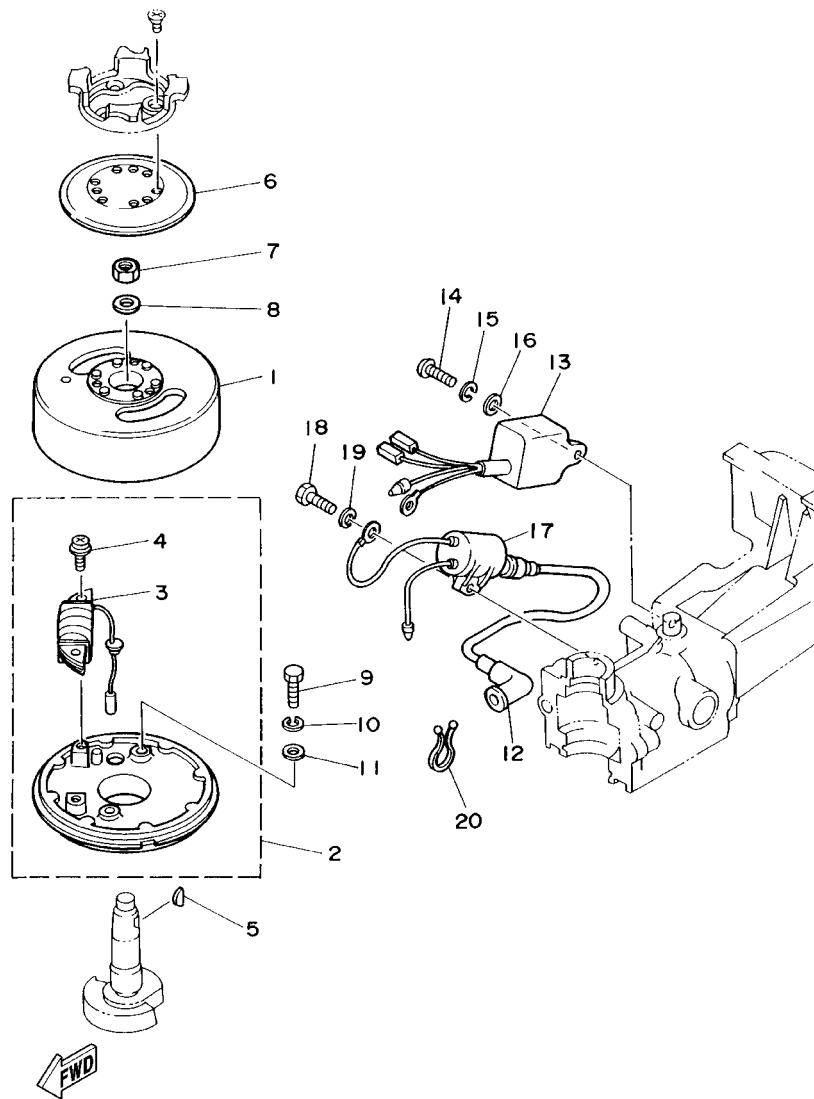
* CUT FROM 50M ROLLS, PART NO. 90890-44372, CUTTING LENGTH 1.3M

* CORTE DE UN RODILLO DE 50M, PARTS NUMERO 90890-44372, LARGO DEL CORTE 1.3M

FWD
6A10010-4040

FIG. 5 GENERATOR

GENERADOR

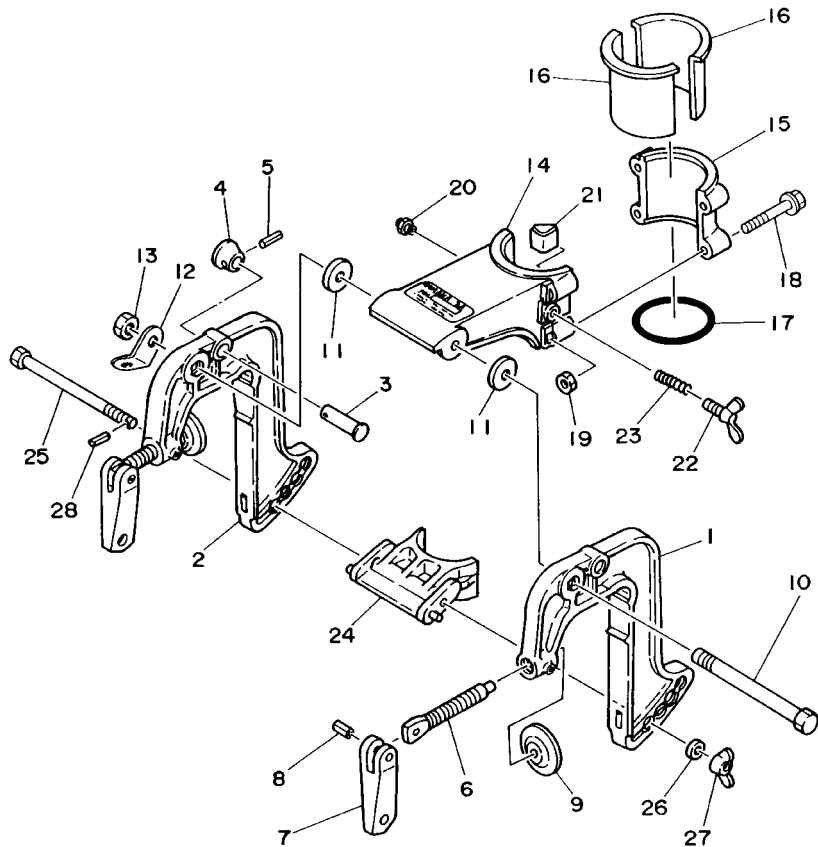


6A10010-5050

REF. NO.	PART NO. CODIGO NO.	DESCRIPTION DESCRIPTION	2CMH				REMARKS OBSERVACION
1	6A1-85550-00	ROTOR ASSY ROTOR COMPLETO	1				
2	6A1-85560-00	BASE ASSY CONJUNTO BASE	1				
3	6A1-85520-00	.COIL, CHARGE .BOBINA DE CARGA	1				
4	97885-05020	.SCREW, PAN HEAD .TORNILLO DE CABEZA CON PLANA	2				
5	90280-04M06	KEY, WOODRUFF CUNA WOODRUFF	1				
6	6A1-81362-00	COVER, HOLE CUBIERTA DE ORIFICIO	1				
7	90170-10M33	NUT TUERCA	1				
8	92903-10100	WASHER, SPRING ARANDELA	1				
9	97013-06030	BOLT PERNO	2				
10	92903-06100	WASHER, SPRING ARANDELA	2				
11	92903-06600	WASHER, PLATE ARANDELA	2				
12	663-82370-01	PLUG CAP ASSY TAPON DE BUJIA COMPLT	1				FOR CHINA
	6G1-82370-21	PLUG CAP ASSY TAPON DE BUJIA COMPLT	1				FOR CARIB
13	6A1-85540-01	C.D.I. UNIT ASSY UNIDAD C.D.I. COMPLETA	1				
14	97885-06016	SCREW, PAN HEAD TORNILLO DE CABEZA CON PLANA	1				
15	92995-06100	WASHER, SPRING ARANDELA	1				
16	92995-06600	WASHER ARANDELA	1				
17	6A1-85570-00	IGNITION COIL ASSY BOBINA DE IGNICION COMPLETO	1				
18	97095-06020	BOLT PERNO	1				
19	92995-06600	WASHER ARANDELA	1				
20	90464-08M07	CLAMP BRIDA	1				

FIG. 6 BRACKET

SOPORTE



REF. NO.	PART NO. CODIGO NO.	DESCRIPTION DESCRIPTION	2CMH				REMARKS OBSERVACION
1	6A1-43111-03-4D	BRACKET, CLAMP SOPORTE DE LA ABRAZADERA	1				
2	6A1-43112-00-4D	BRACKET, CLAMP SOPORTE DE LA ABRAZADERA	1				
3	6A1-43191-00	SHAFT, STOPPER EJE DE TOPE	1				
4	6A1-43192-00	KNOB, STOPPER PERILLA DE TOPE	1				
5	91690-30014	PIN, SPRING PASADOR DE RESORTE	1				
6	6E0-43116-01	SCREW, TRANSOM CLAMP TORNILLO DE ABRAZADERA	2				
7	6E0-43118-01	HANDLE, TRANSOM CLAMP MANIJA DE LA ABRAZADERA DEL ES	2				
8	90243-04M01	PIN PASADOR	2				
9	620-43114-00	PAD, TRANSOM CLAMP ARANDELA DE ABRAZADERA	2				
10	90101-08217	BOLT TORNILLO	1				
11	90202-08022	WASHER, PLATE ARANDELA DE PLANA	2				
12	6A1-43113-01	PLATE, CLAMP BRACKET PLACA ABRAZADERA SOPORTE	1				
13	95380-08600	NUT TUERCA	1				
14	6A1-43311-02-4D	BRACKET, SWIVEL 1 SOPORTE GIRATORIO 1	1				
15	6A1-43312-00-4D	BRACKET, SWIVEL 2 SOPORTE GIRATORIO 2	1				
16	646-42537-01	BUSHING, PIVOT SHAFT BUJE DEL PIVOTE DE LA FLECHA	2				
17	93210-46044	O-RING ANILLO O	1				
18	90119-06M98	BOLT, WITH WASHER TORNILLO CON ARANDELA	4				
19	95380-06600	NUT, HEXAGON TUERCA	4				
20	93700-06M03	NIPPLE, GREASE NIPLE DE ENGRASAR	1				
21	646-42528-00	PLATE, FRICTION PIEZA DE FRICCION	1				
22	90122-06004	BOLT, WING PERNO MARIPOSA	1				
23	90501-12272	SPRING, COMPRESSION RESORTE DE COMPRESION	1				
24	6A1-43351-00	RECEIVER, THRUST RECIBIDOR DE EMPUJE	1				
25	6A1-43371-00	BOLT, RECEIVER TORNILLO RECEPTOR	1				
26	90201-06040	WASHER, PLATE ARANDELA PLANA	1				
27	90175-06008	NUT, WING TUERCA MARIPOSA	1				

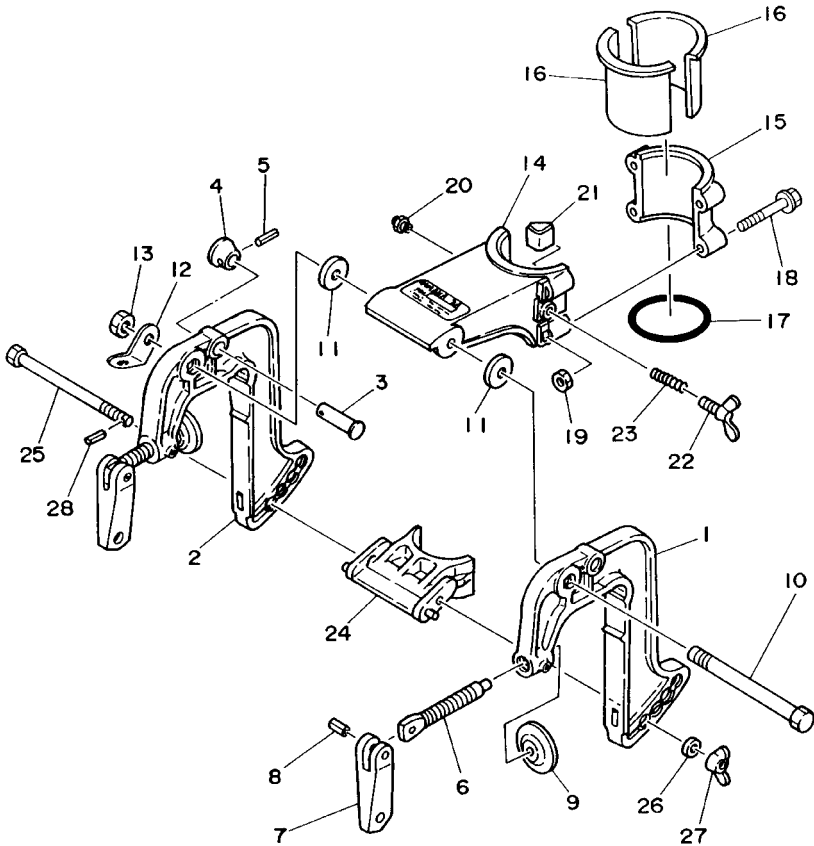


6A10010-4060

FIG. 6 BRACKET

SOPORTE

REF. NO.	PART NO. CODIGO NO.	DESCRIPTION DESCRIPTION	2CMH			REMARKS OBSERVACION
28	91690-20006	PIN, SPRING PASADOR DE RESORTE	1			



6A10010-4060

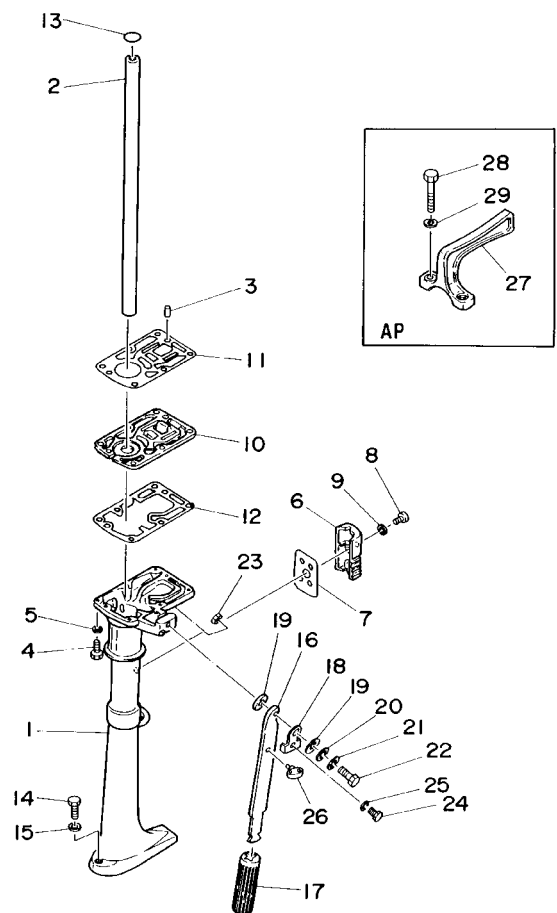


FIG. 7 UPPER CASING

FUNDA SUPERIOR

REF. NO.	PART NO. CODIGO NO.	DESCRIPTION DESCRIPTION	2CMH				REMARKS OBSERVACION
1	6A1-45111-02-4D	CASING, UPPER CAJA SUPERIOR	1				
2	6A1-45113-00	GASKET, UPPER CASING EMPAQUE	1				
3	93605-15065	PIN, DOWEL PASADOR DE CLAVIJA	2				
4	97095-06025	BOLT PERNO	6				
5	92995-06600	WASHER ARANDELA	6				
6	6A1-45151-00	COVER, UPPER CASING CUBIERTA FUNDA SUPERIOR	1				
7	6A1-45115-00	GASKET, UPPER CASING JUNTA FUNDA SUPERIOR	1				
8	97880-06016	SCREW, PAN HEAD TORNILLO DE CABEZA CON PLANA	1				
9	92990-06600	WASHER, PLATE ARANDELA	1				
10	6A1-41137-00-5B	GUIDE, EXHAUST GUIA DE ESCAPE	1				
11	6A1-14613-01	GASKET, EXHAUST PIPE JUNTA, TUBO DE ESCAPE	1				
12	646-14623-01	GASKET, EXHAUST PIPE EMPAQUE	1				
13	93210-19123	O-RING ANILLO O	1				
14	97095-06030	BOLT PERNO	1				
15	92995-06600	WASHER ARANDELA	1				
16	6A1-42111-00-4D	HANDLE, STEERING MANIJA DE DIRECCION	1				
17	646-42119-02	GRIP, STEERING HANDLE MANGO, MANIJA DE DIRRECCION	1				
18	6A1-42181-00	WASHER ARANDELA	1				
19	90201-09117	WASHER, PLATE ARANDELA PLANA	2				
20	92990-08200	WASHER, PLAIN ARANDELA	1				
21	92990-08100	WASHER, SPRING ARANDELA	1				
22	90101-08M11	BOLT TORNILLO	1				
23	95380-08600	NUT TUERCA	1				
24	97095-06010	BOLT PERNO	1				
25	92995-06100	WASHER, SPRING ARANDELA	1				
26	646-42591-00	HOLDER, SHEAR PIN SUJETADOR, PASADOR DE HELICE	1				
27	646-42121-00-94	BRACKET SOPORTE	1				AP

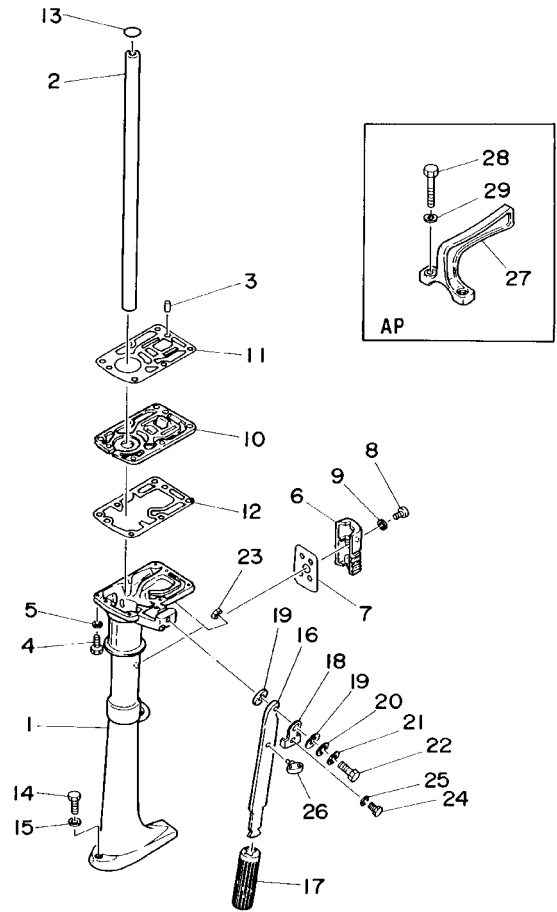
FWD
6A10010-4070

C1

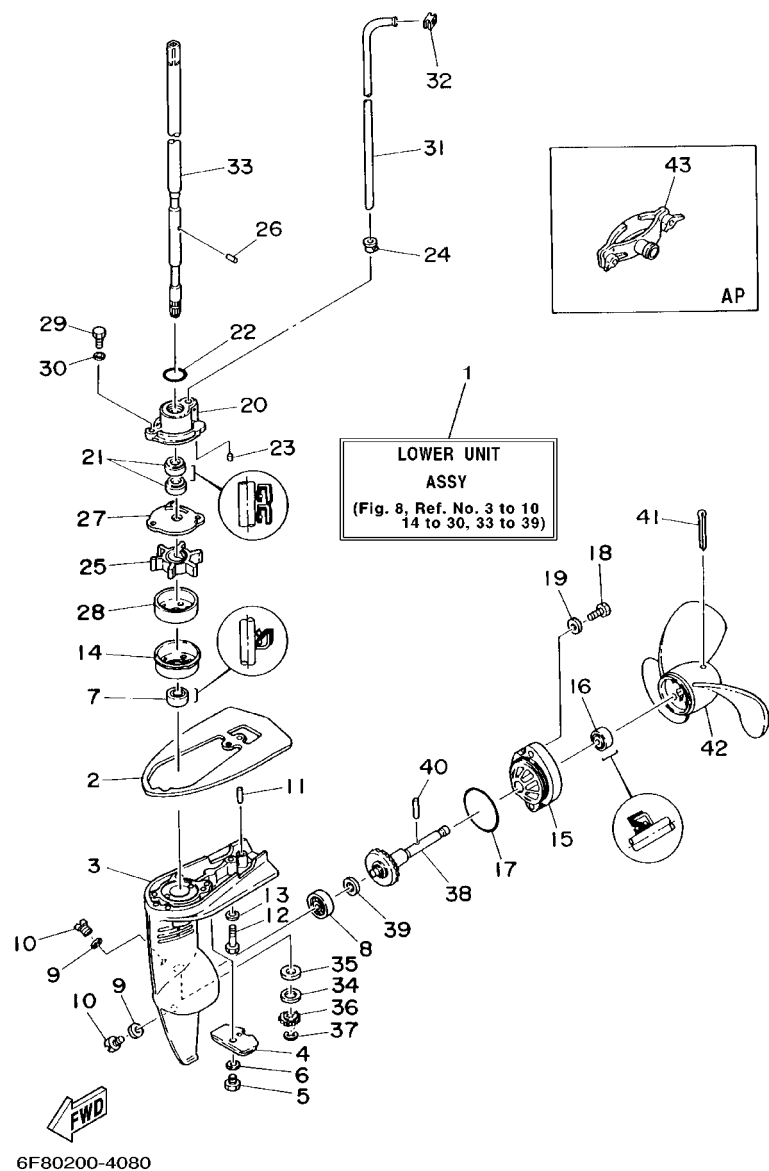
FIG. 7 UPPER CASING

FUNDA SUPERIOR

REF. NO.	PART NO. CODIGO NO.	DESCRIPTION DESCRIPTION	2CMH			REMARKS OBSERVACION
28	97095-06055	BOLT PERNO	2			AP
29	92990-06100	WASHER, SPRING ARANDELA	2			AP
<hr/>						
<hr/>						
<hr/>						
<hr/>						
<hr/>						
<hr/>						
<hr/>						
<hr/>						
<hr/>						
<hr/>						



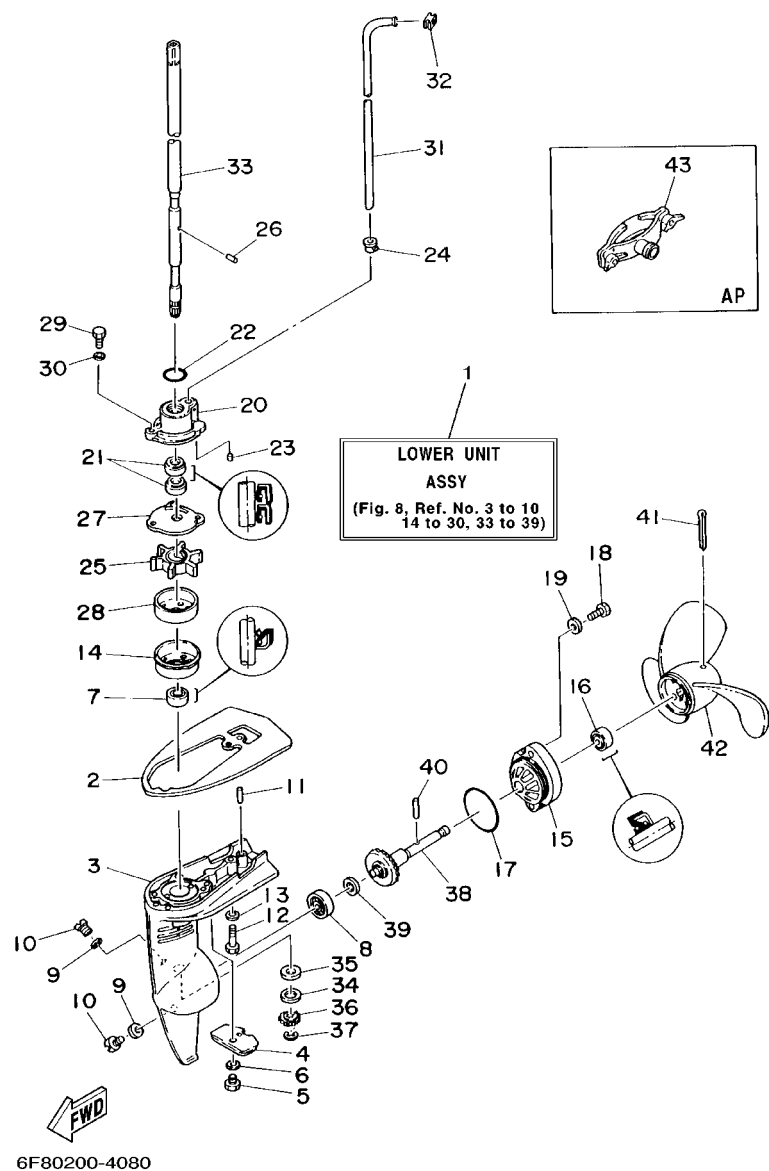
6A10010-4070



6F80200-4080

FIG. 8 LOWER CASING, DRIVE IMPULSOR E INFERIOR

REF. NO.	PART NO. CODIGO NO.	DESCRIPTION DESCRIPTION	2CMH				REMARKS OBSERVACION
1	6A1-45300-03-4D	LOWER UNIT ASSY CONJUNTO UNIDAD INFERIOR	1				
2	6A1-45181-00-4D	PLATE PLACA	1				
3	6A1-45311-02-4D	CASING, LOWER FUNDA INFERIOR	1				
4	6L5-45251-02	ANODE CATODE	1				
5	95895-06012	BOLT, FLANGE TUERCA DE REBORDE	1				
6	92990-06300	WASHER, INTERNAL TOOTH ARANDELA	1				
7	93103-11051	OIL SEAL SELLO ACEITE	1				
8	93306-00001	BEARING COJINETE	1				
9	90430-08020	GASKET JUNTA	2				
10	90340-08M04	PLUG, STRAIGHT SCREW TORNILLO, DE DRENAJE	2				
11	93605-18M04	PIN, DOWEL PASADOR DE CLAVIJA	2				
12	97095-06030	BOLT PERNO	1				
13	92995-06600	WASHER ARANDELA	1				
14	6A1-44325-00	PROTECTOR, OIL SEAL PROTECTOR SELLO ACEITE	1				
15	6A1-45361-01-4D	CAP, LOWER CASING FUNDA INFERIOR	1				
16	93103-10052	OIL SEAL SELLO ACEITE	1				
17	93210-42101	O-RING ANILLO O	1				
18	97090-06014	BOLT PERNO	2				
19	92990-06600	WASHER, PLATE ARANDELA	2				
20	6A1-44312-01-94	COVER, WATER PUMP HOUSING CUBIERTA CAJA BOMBA DE AGUA	1				
21	93101-11M44	OIL SEAL SELLO ACEITE	2				
22	93210-19123	O-RING ANILLO O	1				
23	93604-09068	PIN, DOWEL PASADOR DE CLAVIJA	2				
24	646-44366-01	DAMPER, WATER SEAL GOMA DEL SELLO DE AGUA	1				
25	646-44352-01	IMPELLER IMPULSOR	1				
26	93604-09066	PIN, DOWEL PASADOR DE CLAVIJA	1				
27	646-44323-00	OUTER PLATE, CARTRIDGE PLACA EXTERIOR DEL CARTUCHO	1				



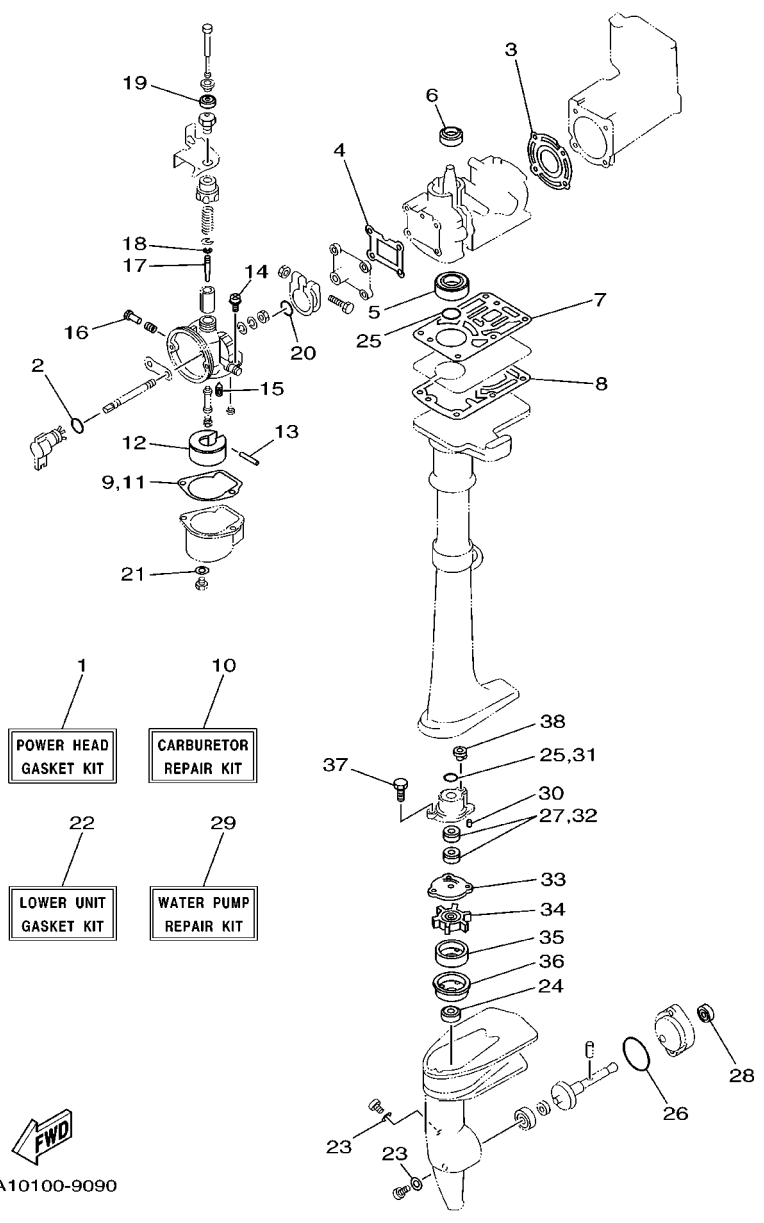
6F80200-4080

FIG. 8 LOWER CASING, DRIVE IMPULSOR E INFERIOR

REF. NO.	PART NO. CODIGO NO.	DESCRIPTION DESCRIPTION	2CMH				REMARKS OBSERVACION
28	646-44322-00	INSERT, CARTRIDGE CARTUCHO	1				
29	97095-05016	BOLT PERNO	2				
30	92995-05600	WASHER ARANDELA	2				
31	6A1-44361-00	TUBE, WATER TUBO DE AGUA	1				
32	646-44365-00	DAMPER, WATER SEAL HULE DE SELLO DE AGUA	1				
33	6A1-45510-01	DRIVE SHAFT ASSY EJE DE MANDO COMPL.	1				
34	90201-11M49	WASHER, PLATE ARANDELA PLANA	1				
35	646-45534-00-03	SHIM (T:0.30MM) LAMINILLA DE AJUSTE (T:0.30MM)	1				UR
	646-45534-00-04	SHIM (T:0.40MM) LAMINILLA DE AJUSTE (T:0.40MM)	1				UR
	646-45534-00-05	SHIM (T:0.50MM) LAMINILLA DE AJUSTE (T:0.50MM)	1				UR
36	646-45551-00	PINION PINON	1				
37	93430-06005	CIRCLIP BOLA	1				
38	646-45560-00	GEAR ENGRANE COMPLE 1	1				
39	646-45567-00-03	SHIM (T:0.30MM) LAMINILLA DE AJUSTE (T:0.30MM)	1				UR
	646-45567-00-04	SHIM (T:0.40MM) LAMINILLA DE AJUSTE (T:0.40MM)	1				UR
	646-45567-00-05	SHIM (T:0.50MM) LAMINILLA DE AJUSTE (T:0.50MM)	1				UR
40	90250-03M10	PIN, STRAIGHT PASADOR CILINDRICO	1				
41	91490-30040	PIN, COTTER PASADOR DE CHAVETA	1				
42	6A1-45943-00	PROPELLER (3X7-1/4"X4"-A) PROPELA (3X7-1/4"X4"-A)	1				UR
	646-45942-01-EL	PROPELLER (3X7-1/4"X5-1/2"-A) PROPELA (3X7-1/4"X5-1/2"-A)	1				UR
	646-45944-01-EL	PROPELLER (3X7-1/4"X4-1/2"-A) PROPELA (3X7-1/4"X4-1/2"-A)	1				UR
	6F8-45942-01-EL	PROPELLER (3X7-1/4"X5"-A) PROPELA (3X7-1/4"X5"-A)	1				UR
43	646-28193-00	PLUG, WATER CHECK TAPON DE CONTROL DE LA AGUA	1				AP

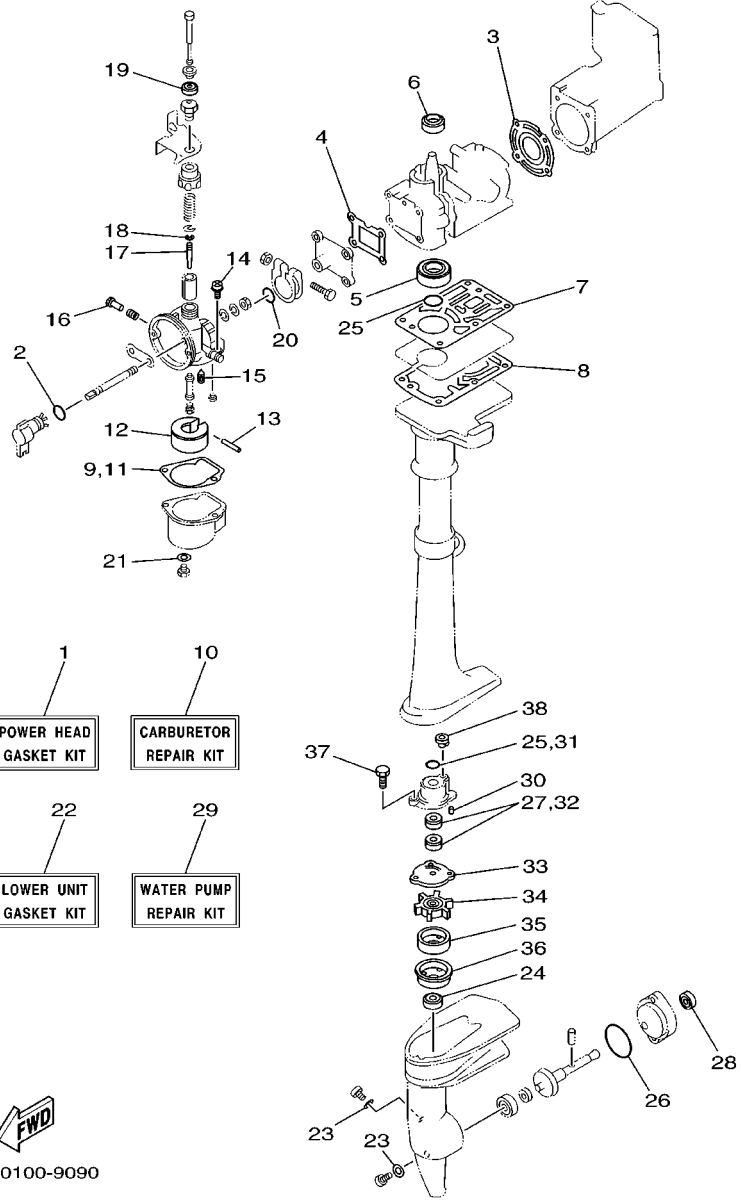
FIG. 9 REPAIR KIT

ESTUCHE REPARATION



REF. NO.	PART NO. CODIGO NO.	DESCRIPTION DESCRIPTION	2CMH	REMARKS OBSERVACION
1	6F8-W0001-A1	POWER HEAD GASKET KIT JUEGO DE EMPAQUE DE MOTOR	1	
2	93210-08M29	.O-RING .ANILLO O	1	
3	6F8-11181-A1	.GASKET, CYLINDER HEAD 1 .JUNTA, DE CULATA 1	1	
4	6A1-13621-A0	.GASKET, VALVE SEAT .JUNTA, DE VALV.DE EMPAQUE	1	
5	93102-15M32	.OIL SEAL .SELLO ACEITE	1	
6	93102-20070	.OIL SEAL .SELLO ACEITE	1	
7	6A1-14613-01	.GASKET, EXHAUST PIPE .JUNTA, TUBO DE ESCAPE	1	
8	646-14623-01	.GASKET, EXHAUST PIPE .EMPAQUE	1	
9	6A1-14384-00	.GASKET, FLOAT CHAMBER .EMPAQUE DE CAMARA DE BOIA	1	
10	6F8-W0093-02	CARBURETOR REPAIR KIT KIT REPARACION CARBURADOR	1	
11	6A1-14384-00	.GASKET, FLOAT CHAMBER .EMPAQUE DE CAMARA DE BOIA	1	
12	6A1-14385-00	.FLOAT .BOIA	1	
13	6A1-14386-00	.PIN, FLOAT .PASADOR DE BOIA	1	
14	97980-04110	.SCREW, WITH WASHER .TORNILLO, CON ARANDELA	2	
15	6A1-14392-00	.VALVE, NEEDLE .VALVULA DE AGUJA	1	
16	646-14211-02	.SCREW, PILOT ADJUSTING .TORNILLO DE AJUSTE DE PILOTO	1	
17	6F8-14116-00	.NEEDLE .AGUJA DE SURTIDOR	1	
18	646-14137-00	.CLIP .PRESILLA	1	
19	646-14169-00	.CAP .FUNDA	1	
20	646-14229-01	.O-RING .EJE DE AHOGADOR	1	
21	646-14198-01	.GASKET .EMPAQUE	1	
22	6A1-W0001-23	LOWER UNIT GASKET KIT JUEGO DE JUNTA UNIDAD INFERIOR	1	
23	90430-08020	.GASKET .JUNTA	2	
24	93103-11051	.OIL SEAL .SELLO ACEITE	1	
25	93210-19123	.O-RING .ANILLO O	2	
26	93210-42101	.O-RING .ANILLO O	1	
27	93101-11M44	.OIL SEAL .SELLO ACEITE	2	

FWD
6A10100-9090



6A10100-9090

FIG. 9 REPAIR KIT

ESTUCHE REPARATION

REF. NO.	PART NO. CODIGO NO.	DESCRIPTION DESCRIPTION	2CMH				REMARKS OBSERVACION
28	93103-10052	.OIL SEAL .SELLO ACEITE	1				
29	6A1-W0078-02	WATER PUMP REPAIR KIT ESTUCHE REPARACION BOMBA AGUA	1				
30	93604-09068	.PIN, DOWEL .PASADOR DE CLAVIJA	2				
31	93210-19123	.O-RING .ANILLO O	1				
32	93101-11M44	.OIL SEAL .SELLO ACEITE	2				
33	646-44323-00	.OUTER PLATE, CARTRIDGE .PLACA EXTERIOR DEL CARTUCHO	1				
34	646-44352-01	.IMPELLER .IMPULSOR	1				
35	646-44322-00	.INSERT, CARTRIDGE .CARTUCHO	1				
36	6A1-44325-00	.PROTECTOR, OIL SEAL .PROTECTOR SELLO ACEITE	1				
37	97095-05016	.BOLT .PERNO	2				
38	646-44366-01	.DAMPER, WATER SEAL .GOMA DEL SELLO DE AGUA	1				

NUMERICAL INDEX
INDICE NUMERICO

PART NO. CODIGO NO.	REF. NO.	PART NO. CODIGO NO.	REF. NO.	PART NO. CODIGO NO.	REF. NO.	PART NO. CODIGO NO.	REF. NO.	PART NO. CODIGO NO.	REF. NO.	PART NO. CODIGO NO.	REF. NO.
6A1-W0001-23	9 - 22	6A1-14314-00	3 - 6	6A1-24610-01	1 - 10	6A1-45111-02-4D	7 - 1	90202-08022	6 - 11	92995-06600	5 - 19
6F8-W0001-A1	9 - 1	646-14321-00	3 - 4	646-24615-01	1 - 14	6A1-45113-00	7 - 2	90243-04M01	6 - 8		7 - 5
6A1-W0004-00	2 - 34	646-14331-01	3 - 18	6A1-24631-00	1 - 11	6A1-45115-00	7 - 7	90250-03M10	8 - 40		7 - 15
6A1-W0070-14	1 - 29	6A1-14341-01	3 - 10	6A1-28176-00	1 - 41	6A1-45151-00	7 - 6	90280-04M06	5 - 5		8 - 13
6A1-W0078-02	9 - 29	6A1-14343-52	3 - 11	646-28193-00	8 - 43	6A1-45181-00-4D	8 - 2	90336-06001	2 - 3	93101-11M44	8 - 21
6F8-W0090-64-1S	2 - 1	6A1-14356-00	3 - 31	6A1-41137-00-5B	7 - 10	6L5-45251-02	8 - 4	90340-08M04	8 - 10		9 - 27
6F8-W0093-02	9 - 10	646-14357-00	3 - 32	6A1-41211-00	1 - 43	6A1-45300-03-4D	8 - 1	90430-04005	1 - 12		9 - 32
656-W2810-02	1 - 27	6A1-14358-01	3 - 22	6A1-41212-01	1 - 42	6A1-45311-02-4D	8 - 3	90430-08020	8 - 9	93102-15M32	2 - 25
6A1-11111-02-1S	2 - 10	646-14358-00	3 - 30	6A1-41223-00	1 - 50	6A1-45361-01-4D	8 - 15		9 - 23		9 - 5
6F8-11181-A1	2 - 11	6A1-14365-00	1 - 46	6A1-41271-00	1 - 6	6A1-45510-01	8 - 33	90430-14117	1 - 13	93102-20070	2 - 23
	9 - 3	6A1-14381-02	3 - 12	6A1-41637-00	1 - 48	646-45534-00-03	8 - 35	90445-07254	2 - 31		9 - 6
624-11379-00	2 - 5	6A1-14384-00	3 - 9	6A1-42111-00-4D	7 - 16	646-45534-00-04	8 - 35	90464-08M07	5 - 20	93103-10052	8 - 16
6A1-11400-00	2 - 15		9 - 9	646-42119-02	7 - 17	646-45534-00-05	8 - 35	90465-06M86	2 - 8		9 - 28
646-11412-01	2 - 16		9 - 11	646-42121-00-94	7 - 27	646-45551-00	8 - 36	90467-06016	2 - 32	93103-11051	8 - 7
6A1-11422-00	2 - 17	6A1-14385-00	3 - 28	6A1-42181-00	7 - 18	646-45560-00	8 - 38	90467-08004	1 - 26		9 - 24
6F8-11610-00	2 - 27		9 - 12	646-42528-00	6 - 21	646-45567-00-03	8 - 39	90501-10260	1 - 17	93210-08M29	1 - 7
6F8-11610-10	2 - 27	6A1-14386-00	3 - 27	646-42537-01	6 - 16	646-45567-00-04	8 - 39	90501-10374	1 - 15		9 - 2
6F8-11610-20	2 - 27		9 - 13	646-42591-00	7 - 26	646-45567-00-05	8 - 39	90501-12M16	1 - 52	93210-19123	7 - 13
6F8-11631-00-98	2 - 26	6A1-14392-00	3 - 26	6A1-42677-10	1 - 3	6F8-45942-01-EL	8 - 42	90501-12272	6 - 23		8 - 22
646-11633-00	2 - 29		9 - 15	6A1-42678-12	2 - 14	646-45942-01-EL	8 - 42	91490-30040	8 - 41		9 - 25
6F8-11635-00	2 - 26	6A1-14441-02	1 - 1	6A1-42741-11	1 - 28	6A1-45943-00	8 - 42	91690-20006	6 - 28		9 - 31
6F8-11636-00	2 - 26	6A1-14442-00	1 - 4	6A1-42771-11	1 - 30	646-45944-01-EL	8 - 42	91690-30014	6 - 5	93210-42101	8 - 17
646-11651-02	2 - 20	6A1-14448-00	3 - 33	664-42791-10	2 - 40	6A1-81362-00	5 - 6	92903-06100	5 - 10		9 - 26
646-11681-00	2 - 18	650-14485-02	2 - 4	6A1-43111-03-4D	6 - 1	6G1-82370-21	5 - 12	92903-06600	2 - 7	93210-46044	6 - 17
6A1-13610-00	2 - 33	6A1-14497-00	3 - 3	6A1-43112-00-4D	6 - 2	663-82370-01	5 - 12		5 - 11	93306-00001	8 - 8
6A1-13621-A0	9 - 4	6A1-14613-01	7 - 11	6A1-43113-01	6 - 12	6A1-82375-11	1 - 57	92903-10100	5 - 8	93306-00409	2 - 21
6A1-13621-00	2 - 35		9 - 7	620-43114-00	6 - 9	6A1-82541-00	1 - 54	92907-04200	1 - 16	93306-30204	2 - 22
6F8-14116-00	3 - 15	646-14623-01	7 - 12	6E0-43116-01	6 - 6	6A1-82550-02	1 - 53	92990-05100	1 - 44	93310-210V1	2 - 28
	9 - 17		9 - 8	6E0-43118-01	6 - 7	6A1-85520-00	5 - 3	92990-05600	1 - 34	93310-31439	2 - 19
6A1-14125-01	3 - 20	6F8-15100-61-1S	2 - 2	6A1-43191-00	6 - 3	6A1-85540-01	5 - 13		1 - 60	93430-04003	1 - 47
6A1-14127-01	3 - 21	6A1-15705-00	4 - 8	6A1-43192-00	6 - 4	6A1-85550-00	5 - 1		3 - 35	93430-06005	8 - 37
646-14136-00	3 - 17	6A1-15710-00	4 - 1	6A1-43311-02-4D	6 - 14	6A1-85560-00	5 - 2	92990-06100	1 - 36	93450-11021	2 - 30
646-14137-00	3 - 16	6A1-15711-00	4 - 2	6A1-43312-00-4D	6 - 15	6A1-85570-00	5 - 17		1 - 39	93604-09066	8 - 26
	9 - 18	6A1-15713-00	4 - 6	6A1-43351-00	6 - 24	90101-08M11	7 - 22		7 - 29	93604-09068	8 - 23
646-14158-00	3 - 2	6A1-15714-00	4 - 3	6A1-43371-00	6 - 25	90101-08217	6 - 10	92990-06300	8 - 6		9 - 30
6A1-14163-00	3 - 7	6A1-15717-00	4 - 7	6A1-44312-01-94	8 - 20	90119-06M98	6 - 18	92990-06600	1 - 37	93605-15065	7 - 3
646-14169-00	3 - 5	6A1-15723-00-94	4 - 14	646-44322-00	8 - 28	90122-06004	6 - 22		1 - 40	93605-18M04	8 - 11
	9 - 19	6A1-15741-00	4 - 5		9 - 35	90151-04M04	1 - 5		7 - 9	93700-06M03	6 - 20
646-14198-01	3 - 14	6A1-15755-02	4 - 10	646-44323-00	8 - 27	90170-10M33	5 - 7		8 - 19	94702-00272	2 - 41
	9 - 21	6A1-15767-00	4 - 4		9 - 33	90173-05M00	1 - 2	92990-08100	7 - 21	95380-06600	1 - 20
646-14211-02	3 - 24	6A1-15771-01	2 - 36	6A1-44325-00	8 - 14	90175-06008	6 - 27	92990-08200	7 - 20		6 - 19
	9 - 16	6A1-24110-01	1 - 8		9 - 36	90183-05M00	1 - 32	92995-05600	8 - 30	95380-08600	6 - 13
6A1-14212-00	3 - 23	6A1-24141-00	2 - 38	646-44352-01	8 - 25		1 - 58	92995-06100	1 - 21		7 - 23
6F8-14217-00	3 - 34	6A1-24181-00	1 - 23		9 - 34	90201-06M30	1 - 22		5 - 15	95380-08700	1 - 55
646-14229-01	3 - 8	6A1-24198-00	1 - 9	6A1-44361-00	8 - 31	90201-06040	6 - 26		7 - 25	95895-06010	2 - 39
	9 - 20	646-24241-00	1 - 18	646-44365-00	8 - 32	90201-09117	7 - 19	92995-06600	2 - 13	95895-06012	8 - 5
6F8-14301-03	3 - 1	6A1-24311-00	1 - 25	646-44366-01	8 - 24	90201-11M49	8 - 34		4 - 13	97013-06030	5 - 9
646-14312-08	3 - 19	6A1-24500-02	1 - 24		9 - 38	90201-35300	2 - 24		5 - 16	97013-06040	2 - 6

NUMERICAL INDEX
INDICE NUMERICO

PART NO. CODIGO NO.	REF. NO.	PART NO. CODIGO NO.	REF. NO.	PART NO. CODIGO NO.	REF. NO.	PART NO. CODIGO NO.	REF. NO.	PART NO. CODIGO NO.	REF. NO.
97013-06060	2 - 37								
97090-06014	8 - 18								
97095-05010	1 - 45								
97095-05016	8 - 29								
	9 - 37								
97095-06010	7 - 24								
97095-06016	4 - 12								
97095-06018	1 - 19								
97095-06020	5 - 18								
97095-06025	2 - 12								
	7 - 4								
97095-06030	7 - 14								
	8 - 12								
97095-06055	7 - 28								
97322-06012	4 - 9								
97880-05008	1 - 56								
97880-05010	1 - 33								
97880-05012	1 - 59								
97880-06016	7 - 8								
97880-06025	1 - 38								
97880-06040	1 - 35								
97885-05020	5 - 4								
97885-05025	1 - 51								
97885-06016	5 - 14								
97890-05006	3 - 13								
97980-04110	3 - 25								
	9 - 14								
98580-03005	3 - 29								
98703-06012	4 - 15								
98780-03010	1 - 49								
98780-05012	1 - 31								
99530-10014	2 - 9								

2CMH
PARTS CATALOGUE
©2001 by Yamaha Motor Co., Ltd.
1st Edition, Aug. 2001
All rights reserved.
Any reprinting or unauthorized use
without the written permission of
Yamaha Motor Co., Ltd.
is expressly prohibited.

2CMH
CATALOGO DE REPUESTOS
©2001, Yamaha Motor Co., Ltd.
1ª edición, Ag. 2001
Reservados todos los derechos.
Se prohíbe expresamente toda reimpresión
o utilización no autorizada de este manual
sin el consentimiento por escrito de
Yamaha Motor Co., Ltd.