

**PARTS
CATALOGUE
CATALOGO
DE REPUESTOS**

20CMH'02(6A91)

2A6A9-200S1

YAMAHA
GENUINE
Parts & Accessories

A1

CONTENTS

TOP COWLING	A4
CYLINDER. CRANKCASE	A5
CRANKSHAFT. PISTON	A7
INTAKE	B2
FUEL	B4
STARTER	B6
GENERATOR	C1
ELECTRICAL	C3
BOTTOM COWLING	C4
STEERING	C5
CONTROL	C6
BRACKET 1	D1
BRACKET 2	D3
UPPER CASING	D5
LOWER CASING. DRIVE 1	D6
LOWER CASING. DRIVE 2	E2
FUEL TANK	E4
REPAIR KIT 1	E5
REPAIR KIT 2	E6
INDEX	
NUMERICAL INDEX	E7

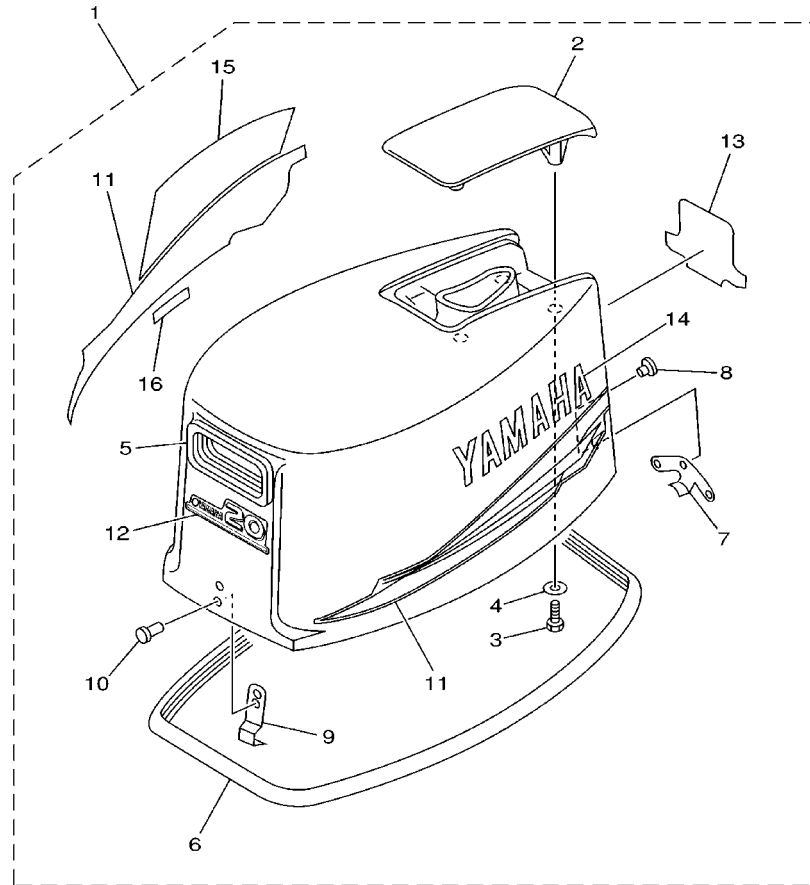


FIG. 1 TOP COWLING

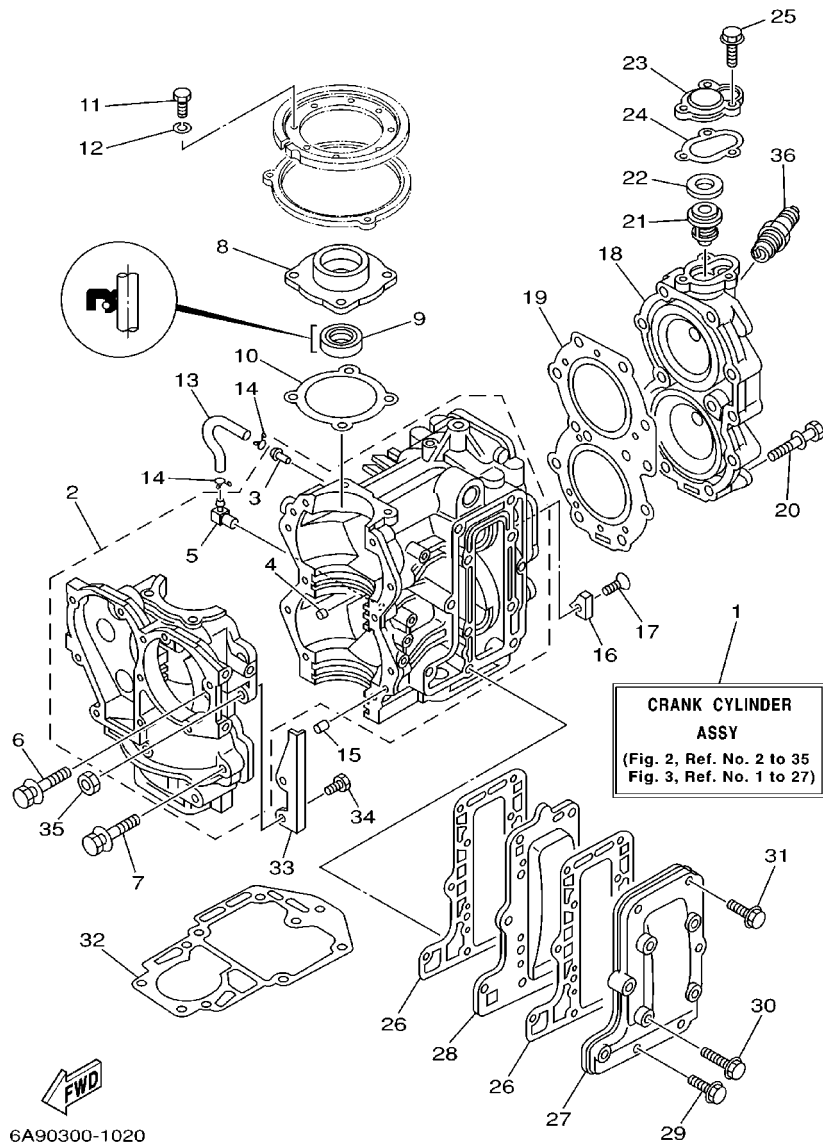
SOPORTE SUPERIOR

REF. NO.	PART NO. CODIGO NO.	DESCRIPTION DESCRIPTION	20C				REMARKS OBSERVACION
1	6A9-42610-30-4D	TOP COWLING ASSY SOPORTE SUPERIOR COMPL.	1				
2	689-42613-01-4D	.MOLDING, AIR DUCT .MOLDURA CONDUCTO AIRE	1				
3	97095-06012	.BOLT .PERNO	4				
4	92995-06600	.WASHER .ARANDELA	4				
5	689-15761-00	.SEAL, RUBBER 1 .SELLO DE GOMA 1	1				
6	6G0-42615-00	.SEAL .SELLO	1				
7	689-42647-00	.HOLDER, CLAMP BAND .MORDAZA DE ABRAZADERA	1				
8	90266-04M01	.RIVET .REMACHE	3				
9	6G0-42651-02	.HOOK .GANCHO	1				
10	90266-04M00	.RIVET .REMACHE	2				
11	695-W0070-12	.GRAPHIC SET .JUEGO DE EMBLEMA	1				
12	6A9-42677-30	.GRAPHIC, FRONT .CALCAMONIA FRONTAL	1				
13	6A9-42678-11	.GRAPHIC, REAR .CALCAMONIA TRASERA	1				
14	695-42681-11	.MARK, COWLING .MARCA DE CUBIERTA	1				
15	695-42682-12	.MARK, COWLING .MARCA DE CUBIERTA	1				
16	6E0-44191-11	.INDICATOR, SHIFT .INDICADOR DE CAMBIOS	1				



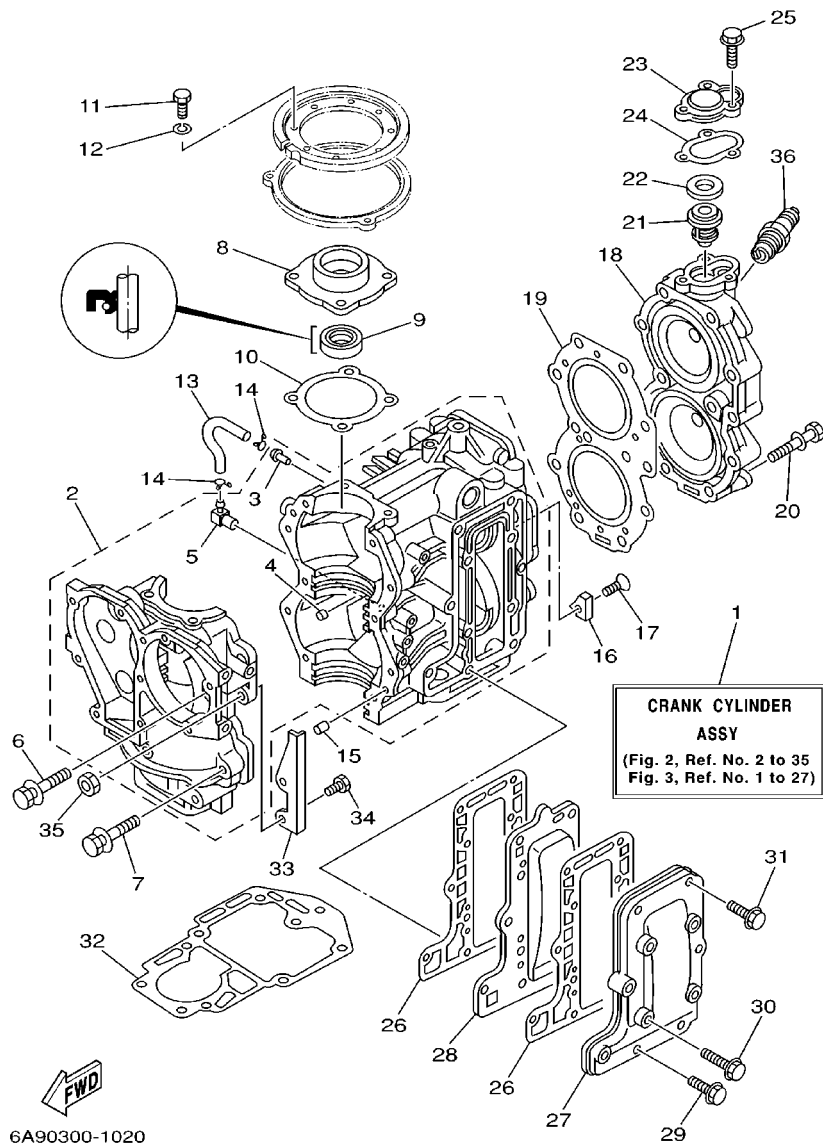
6A91200-2010

FIG. 2 CYLINDER. CRANKCASE CYLINDRO. CARTER



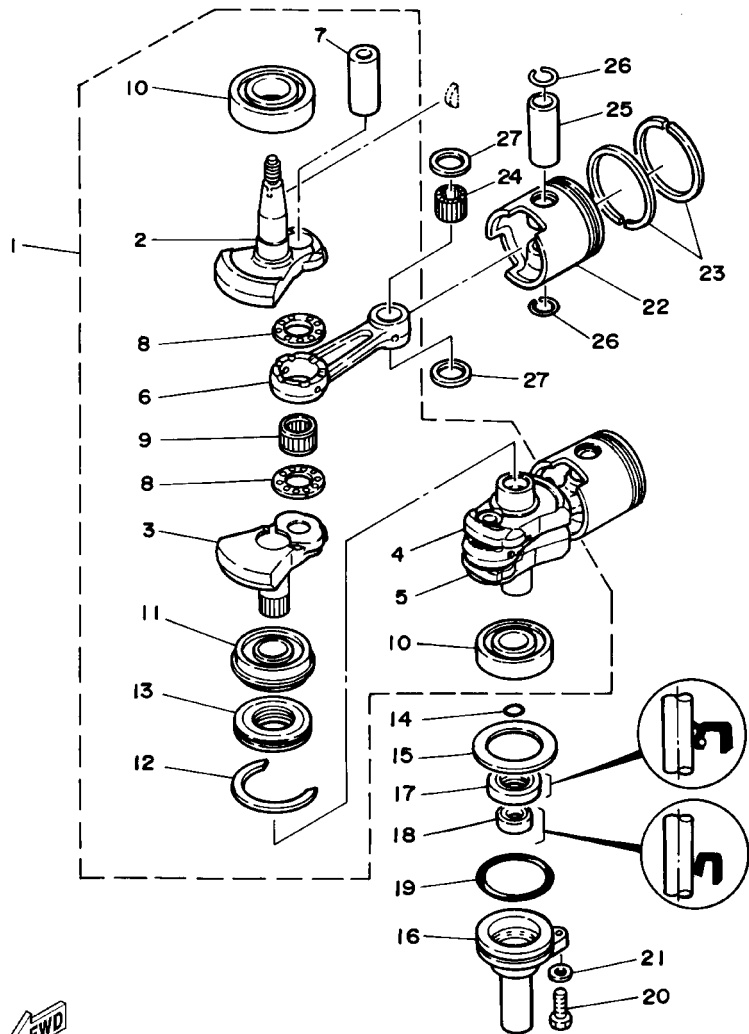
REF. NO.	PART NO. CODIGO NO.	DESCRIPTION DESCRIPTION	20C				REMARKS OBSERVACION
1	6A9-W0090-04-1S	CRANK CYLINDER ASSY BLOQUE MOTOR COMPLETO	1				
2	6A9-15100-01-1S	CRANKCASE ASSY CARTER COMPLETO	1				
3	624-14485-00	.PIPE, JOINT .TUBO DE UNION	1				
4	624-11379-00	.VALVE, CHECK .VALVULA DE CONTROL	1				
5	650-11370-00	.CHECK VALVE ASSY .VALVULA DE CONTROL COMPL.	1				
6	90119-08009	BOLT, WITH WASHER TORNILLO CON ARANDELA	2				
7	90119-08M66	BOLT, WITH WASHER TORNILLO CON ARANDELA	8				
8	664-15359-01-94	HOUSING, OIL SEAL CAJA DE SELLO DE ACEITE	1				
9	93102-23096	OIL SEAL SELLO ACEITE	1				
10	664-15369-A0	GASKET, OIL SEAL HOUSING EMPAQ CAJA SELLO ACEITE	1				
11	97013-06020	BOLT PERNO	4				
12	92903-06100	WASHER, SPRING ARANDELA	4				
13	90445-07260	HOSE (L276) TUBO (L276)	1				
14	90467-06016	CLIP PRESILLA	2				
15	93606-12019	PIN, DOWEL PASADOR DE CLAVIJA	2				
16	689-11325-00	ANODE ANODO	1				
17	90151-06M02	SCREW, COUNTERSUNK TORNILLO EMBUTIDO	1				
18	6A9-11111-00-1S	HEAD, CYLINDER 1 CULATA CILINDRO 1	1				
19	695-11181-A1	GASKET, CYLINDER HEAD 1 JUNTA, DE CULATA 1	1				
20	90119-08016	BOLT, WITH WASHER TORNILLO CON ARANDELA	11				
21	6F5-12411-02	THERMOSTAT TERMOSTAT	1				
22	90201-21567	WASHER, PLATE ARANDELA PLANA	1				
23	655-12413-01-1S	COVER, THERMOSTAT CUBIERTA TERMOSTATO	1				
24	655-12414-A1	GASKET, COVER EMPAQUE	1				
25	90119-06MA2	BOLT, WITH WASHER TORNILLO CON ARANDELA	3				
26	664-41114-A0	GASKET, EXHAUST OUTER COVER EMPAQUE	2				
27	664-41113-00-1S	OUTER COVER, EXHAUST CUBOERTA EXTERIOR DE ESCAPE	1				

FIG. 2 CYLINDER. CRANKCASE CYLINDRO. CARTER



6A90300-1020

REF. NO.	PART NO. CODIGO NO.	DESCRIPTION DESCRIPTION	20C				REMARKS OBSERVACION
28	664-41111-00	INNER COVER, EXHAUST CUBIERTA INTERIOR DE ESCAPE	1				
29	90119-06MA3	BOLT, WITH WASHER TORNILLO CON ARANDELA	1				
30	90119-06MA4	BOLT, WITH WASHER TORNILLO CON ARANDELA	6				
31	90119-06MA5	BOLT, WITH WASHER TORNILLO CON ARANDELA	4				
32	689-45113-A1	GASKET, UPPER CASING EMPAQUE	1				
33	695-41616-00	STOPPER, MAGNETO BASE RETENEDOR BASE MAGNETO	1				
34	97013-06020	BOLT PERNO	2				
35	95380-06600	NUT, HEXAGON TUERCA	2				
36	94702-00040	PLUG, SPARK (NGK B7HS) BUJIA (NGK B7HS)	2				
	94702-00272	PLUG, SPARK (NGK BR7HS) BUJIA (NGK BR7HS)	2				FOR CHINA



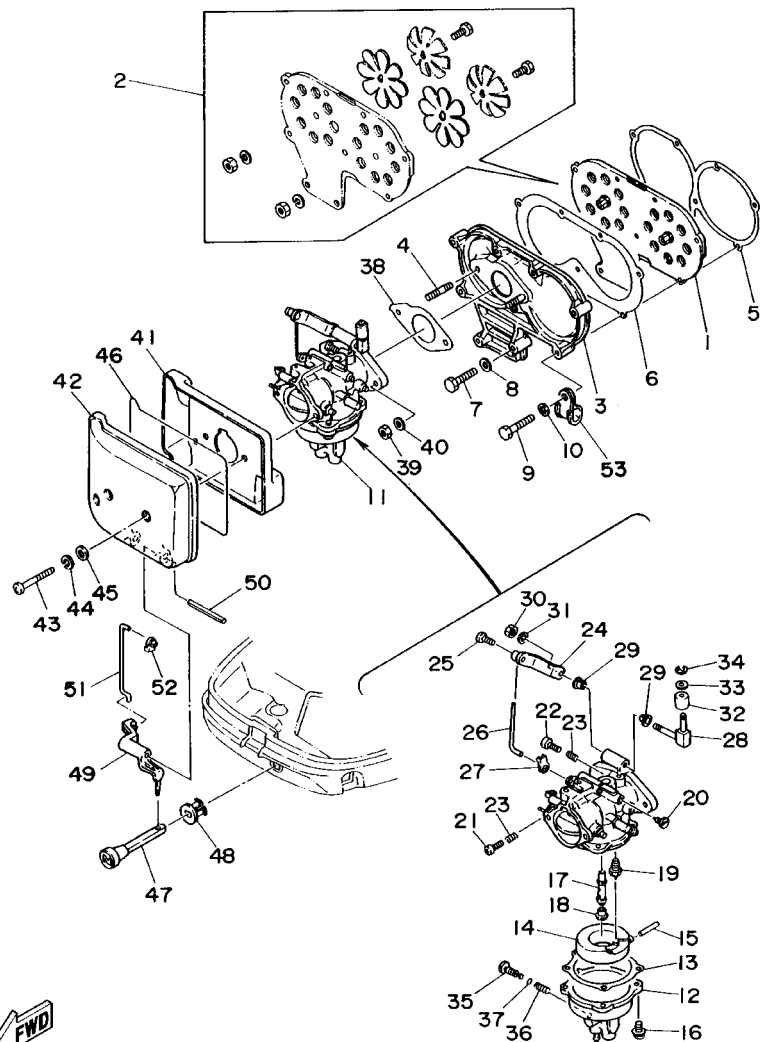
FWD
6950300-4030

FIG. 3 CRANKSHAFT. PISTON CIGUENAL. PISTON

REF. NO.	PART NO. CODIGO NO.	DESCRIPTION DESCRIPTION	20C				REMARKS OBSERVACION
1	695-11400-00	CRANKSHAFT ASSY CIGUENAL COMPLETO	1				
2	695-11412-00	.CRANK 1 .MANIVELA 1	1				
3	6G0-11422-00	.CRANK 2 .MANIVELA 2	1				
4	6G0-11432-00	.CRANK 3 .MANIVELA 3	1				
5	695-11442-00	.CRANK 4 .MANIVELA 4	1				
6	648-11651-04	.ROD, CONNECTING .BIELA	2				
7	648-11681-00	.PIN, CRANK 1 .PASADOR MANIVELA 1	2				
8	90209-22071	.WASHER .ARANDELA DE SEPARACION	4				
9	93310-522W0	.BEARING .COJINETE	2				
10	93306-305U3	.BEARING .COJINETE	2				
11	93390-00009	.BEARING .COJINETE	1				
12	93440-62057	.CIRCLIP .BOLA	1				
13	656-11515-00	.SEAL, LABYRINTH 1 .SELLO LABERINTO 1	1				
14	93210-16275	O-RING ANILLO O	1				
15	90201-50306	WASHER, PLATE ARANDELA PLANA	1				
16	689-15396-01-1S	HOUSING, OIL SEAL CAJA DE SELLO DE ACEITE	1				
17	93101-25M35	OIL SEAL SELLO ACEITE	1				
18	93101-16M36	OIL SEAL SELLO ACEITE	1				
19	93210-58M21	O-RING ANILLO O	1				
20	97095-06022	BOLT PERNO	1				
21	92995-06600	WASHER ARANDELA	1				
22	664-11631-00-97	PISTON (STD) PISTON (STD)	2				
	664-11635-00	PISTON (0.25MM O/S) PISTON (0.25MM O/S)	2				AP
	664-11636-00	PISTON (0.50MM O/S) PISTON (0.50MM O/S)	2				AP
23	656-11610-02	PISTON RING SET (STD) JUEGO DE AROS (STD)	2				
	656-11610-12	PISTON RING SET (0.25MM O/S) JUEGO DE AROS (0.25MM O/S)	2				AP
	656-11610-22	PISTON RING SET (0.50MM O/S) JUEGO DE AROS (0.50MM O/S)	2				AP

FIG. 4 INTAKE

ADMISION



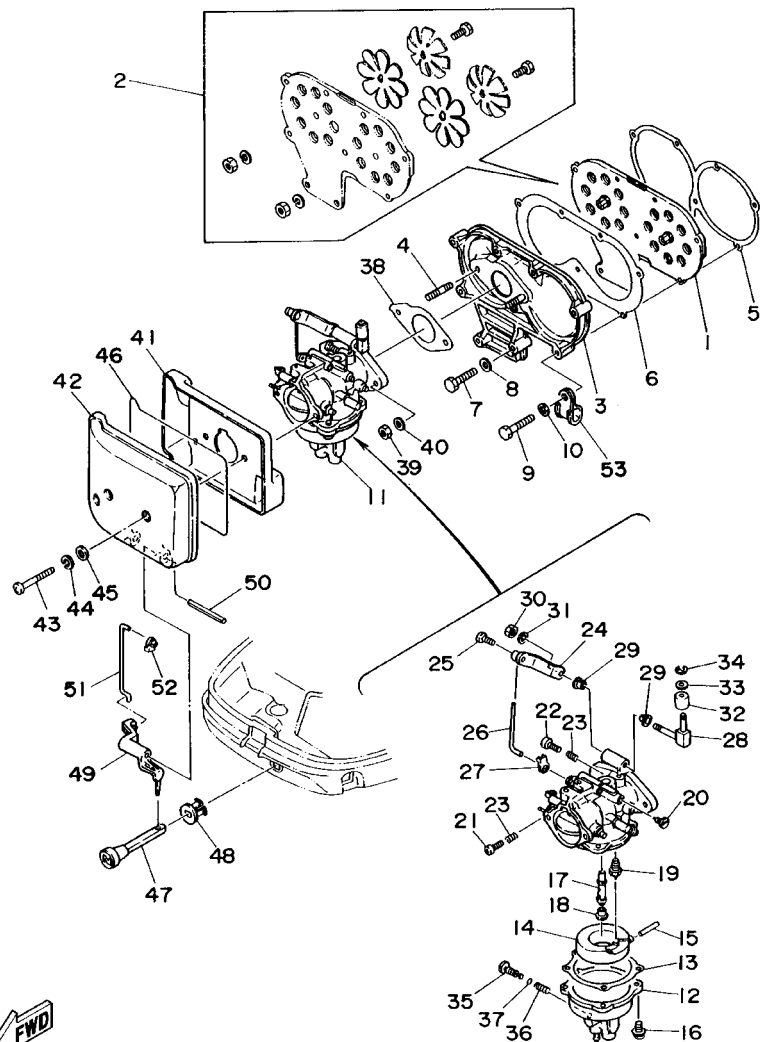
REF. NO.	PART NO. CODIGO NO.	DESCRIPTION DESCRIPTION	20C				REMARKS OBSERVACION
1	689-13610-01	REED VALVE ASSY VALVULA DE LAMINAS COMPLETA	1				
2	689-W0004-00	.REED SET .JUEGO DE VALVULAS DE LENGUETA	1				
3	648-13641-02-1S	MANIFOLD 1 MULTIPLE 1	1				
4	90116-06M30	BOLT, STUD ESPARRAGO	2				
5	648-13621-A1	GASKET, VALVE SEAT JUNTA DE VALV. DE EMPAQUE	1				
6	648-13645-A0	GASKET, MANIFOLD 1 EMPAQUE	1				
7	97013-06025	BOLT PERNO	2				
8	92903-06600	WASHER, PLATE ARANDELA	2				
9	97013-06035	BOLT PERNO	7				
10	92903-06600	WASHER, PLATE ARANDELA	7				
11	6A9-14301-01	CARBURETOR ASSY 1 CARBURADOR COMPLETO 1	1				
12	664-14381-02	.BODY, FLOAT CHAMBER .CUERPO DE CAMARA DE BOIA	1				
13	648-14384-01	.GASKET, FLOAT CHAMBER .EMPAQUE DE CAMARA DE BOIA	1				
14	648-14385-00	FLOAT .BOIA	1				
15	689-14386-00	PIN, FLOAT PASADOR DE BOIA	1				
16	97980-04112	SCREW, WITH WASHER .TORNILLO, CON ARANDELA	4				
17	6A9-14341-00	.NOZZLE, MAIN .BOQUILLA PRINCIPAL	1				
18	689-14343-66	JET, MAIN (#132) .INYECTOR PRINCIPAL (#132)	1				
19	6J0-14390-14	.NEEDLE VALVE ASSY .VALVULA DE AGUJA COMPLETA	1				
20	648-14342-31	JET, PILOT (# 62) ESPREA DE PILOTO (# 62)	1				
21	664-14321-01	.SCREW, THROTTLE .TORNILLO DE OBTURADOR	1				
22	647-14323-00	.SCREW, AIR ADJUSTING .TORNILLO DE AJUSTE DE AIRE	1				
23	646-14212-01	.SPRING, PILOT ADJUSTING .RESORTE DE AJUSTE DE PILOTO	2				
24	648-41210-01	.ACCEL. ARM ASSY .BRAZO	1				
25	650-14327-01	.SCREW .TORNILLO	1				
26	656-41241-00	.ROD, LINK .VARILLA	1				
27	661-41262-02	.JOINT, CHOKE LEVER .CONECTOR DE AHOGADOR	1				



6A90300-4040

FIG. 4 INTAKE

ADMISION



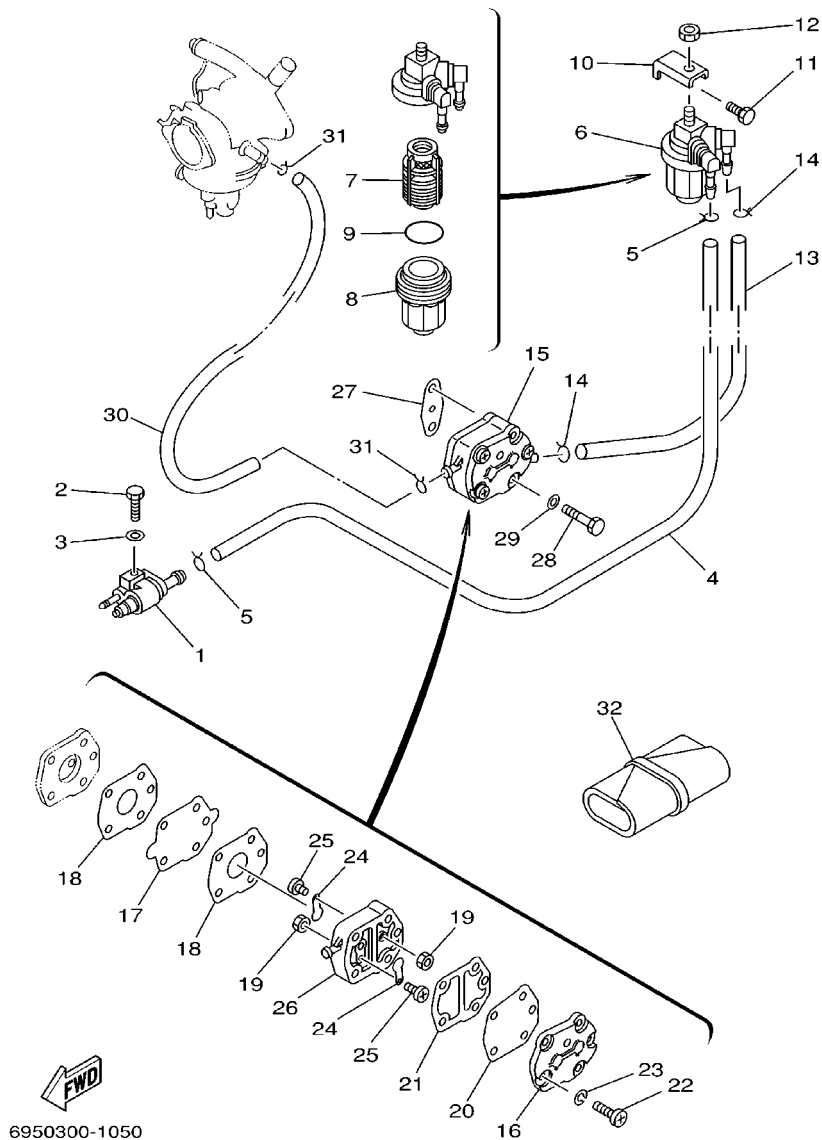
REF. NO.	PART NO. CODIGO NO.	DESCRIPTION DESCRIPTION	20C				REMARKS OBSERVACION
28	689-41216-00	.SHEAVE SHAFT, ACCEL. LINK .EJE DE POLEA DE ESLABON	1				
29	90386-05002	.BUSH .BUJE	2				
30	95380-05700	.NUT .TUERCA	1				
31	92990-05100	.WASHER, SPRING .ARANDELA	1				
32	664-41231-00	.COLLAR, GUIDE PIN .COLLAR, PASADOR DE GUIA	1				
33	92990-05200	.WASHER, PLAIN .ARANDELA	1				
34	93430-04031	.CIRCLIP .BOLA	1				
35	646-14394-00	.VALVE, DRAIN .VALVULA DE DRENAJE	1				
36	646-14223-01	.SPRING, DRAIN VALVE .RESORTE VALVULA DE DRENAJE	1				
37	646-14397-00	.O-RING .ANILLO EN O	1				
38	648-14198-A0	GASKET EMPAQUE	1				
39	95380-06600	NUT, HEXAGON TUERCA	2				
40	92995-06600	WASHER ARANDELA	2				
41	695-14417-00	COVER 1 CUBIERTA 1	1				
42	695-14418-01	COVER 2 CUBIERTA 2	1				
43	97880-05030	SCREW, PAN HEAD TORNILLO DE CABEZA CON PLANA	2				
44	92990-05100	WASHER, SPRING ARANDELA	2				
45	92990-05600	WASHER, PLATE ARANDELA	2				
46	695-14476-00	SEAL SELLO	1				
47	682-41271-00	KNOB, CHOKE PERILLA AHOGADOR	1				
48	689-41273-00	GROMMET TAPON PROTECTOR	1				
49	689-41252-01	LEVER, CHOKE 1 PALANCA AHOGADOR 1	1				
50	91690-40048	PIN, SPRING PASADOR DE RESORTE	1				
51	695-41256-00	ROD, CHOKE 1 VARILLA DE AHOGADOR	1				
52	661-41262-02	JOINT, CHOKE LEVER CONECTOR DE AHOGADOR	1				
53	90461-06002	CLAMP GRAPA	1				



6A90300-4040

FIG. 5 FUEL

COMBUSTIBLE

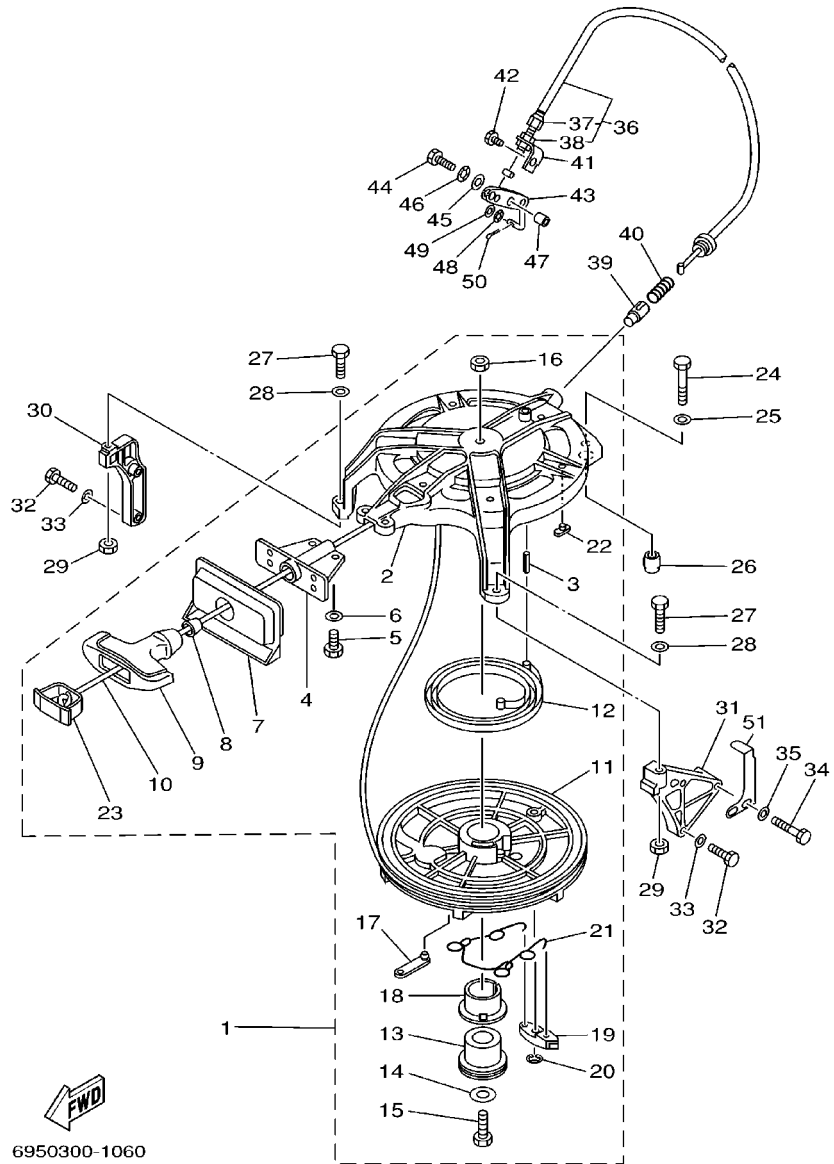


6950300-1050

REF. NO.	PART NO. CODIGO NO.	DESCRIPTION DESCRIPTION	20C				REMARKS OBSERVACION
1	6G1-24304-02	FUEL PIPE JOINT COMP. 1 CONECTOR MANGUERA COMBUST.1	1				
2	97095-06020	BOLT PERNO	1				
3	92995-06600	WASHER ARANDELA	1				
4	90445-09M25	HOSE (L600) TUBO (L600)	1				
5	90467-08004	CLIP PRESILLA	2				
6	61N-24560-00	FILTER ASSY FILTRO COMPLETO	1				
7	61N-24563-00	.ELEMENT, FILTER .ELEMENTO DEL FILTRO	1				
8	61N-24521-00	.CUP, FILTER .COPA DE FILTRO	1				
9	93210-32738	.O-RING .ANILLO O	1				
10	648-24566-02	BRACKET, FILTER SOPORTE DEL FILTRO	1				
11	97013-06014	BOLT PERNO	1				
12	95380-08600	NUT TUERCA	1				
13	664-24311-00	PIPE, FUEL 1 TUBO DE COMBUSTIBLE 1	1				
14	90467-08004	CLIP PRESILLA	2				
15	692-24410-00	FUEL PUMP ASSY BOMBA DE COMBUSTIBLE COMPLETA	1				
16	6A0-24413-00	.BODY 2 .CUERPO 2	1				
17	692-24411-00	.DIAPHRAGM .DIAFRAGMA	1				
18	648-24434-01	.GASKET, BODY .EMPAQUE	2				
19	95380-03600	.NUT .TUERCA	2				
20	663-24411-00	.DIAPHRAGM .DIAFRAGMA	1				
21	648-24435-02	.GASKET, BODY 2 EMPAQUE	1				
22	98503-05028	.SCREW, PAN HEAD .TORNILLO DE CABEZA CON PLANA	3				
23	92990-05100	.WASHER, SPRING .ARANDELA	3				
24	6A0-24421-01	.VALVE, CHECK .VALVULA DE RETENCION	2				
25	6A0-14325-00	.SCREW, PAN HEAD .TORNILLO CABEZA REDONDA	2				
26	6A0-24412-02	.BODY 1 .CUERPO 1	1				
27	650-24431-A0	GASKET, FUEL PUMP 1 EMPAQUE BOMBA COMBUST 1	1				

FIG. 6 STARTER

ARRANQUE



REF. NO.	PART NO. CODIGO NO.	DESCRIPTION DESCRIPTION	20C				REMARKS OBSERVACION
1	689-15710-04	STARTER ASSY ARRANQUE COMPLETO	1				
2	676-15711-01-94	.CASE, STARTER .CAJA DE ARRANQUE	1				
3	91690-40020	.PIN, SPRING .PASADOR DE RESORTE	2				
4	689-15758-02-94	.GUIDE, ROPE .GUIA DE CUERDA	1				
5	97095-06016	.BOLT .PERNO	2				
6	92995-06600	.WASHER .ARANDELA	2				
7	689-15762-01	.SEAL, RUBBER 2 .SELLO DE GOMA 2	1				
8	689-15789-00	.DAMPER .AMORTIGUADOR	1				
9	689-15755-01	.HANDLE, STARTER .MANIJA DE ARRANQUE	1				
10	*	.WIRE (L:2095MM) .CABLE (L:2095MM)	1				
11	676-15714-00-94	.DRUM, SHEAVE .TAMBOR ROLDANA	1				
12	90510-09M00	.SPRING, SPIRAL .RESORTE EN ESPIRAL	1				
13	676-15717-00	.SHAFT, STARTER .EJE DE ARRANQUE	1				
14	90201-08309	.WASHER, PLATE .ARANDELA PLANA	1				
15	97013-08025	BOLT PERNO	1				
16	95303-08600	NUT .TUERCA	1				
17	676-15799-01	.CLIP .PRESILLA	1				
18	90386-35M01	.BUSH .BUJE	1				
19	676-15741-03	.PAWL, DRIVE .TRINQUETE DE TRACCION	1				
20	93430-06M02	.CIRCLIP BOLA	1				
21	676-15705-00	.SPRING, DRIVE PAWL .RESORTE	1				
22	676-15773-00	.STAY 3 .SOPORTE 3	6				
23	6F5-15779-02	.COVER .CUBIERTA	1				
24	97095-08035	BOLT PERNO	1				
25	92995-08600	WASHER ARANDELA	1				

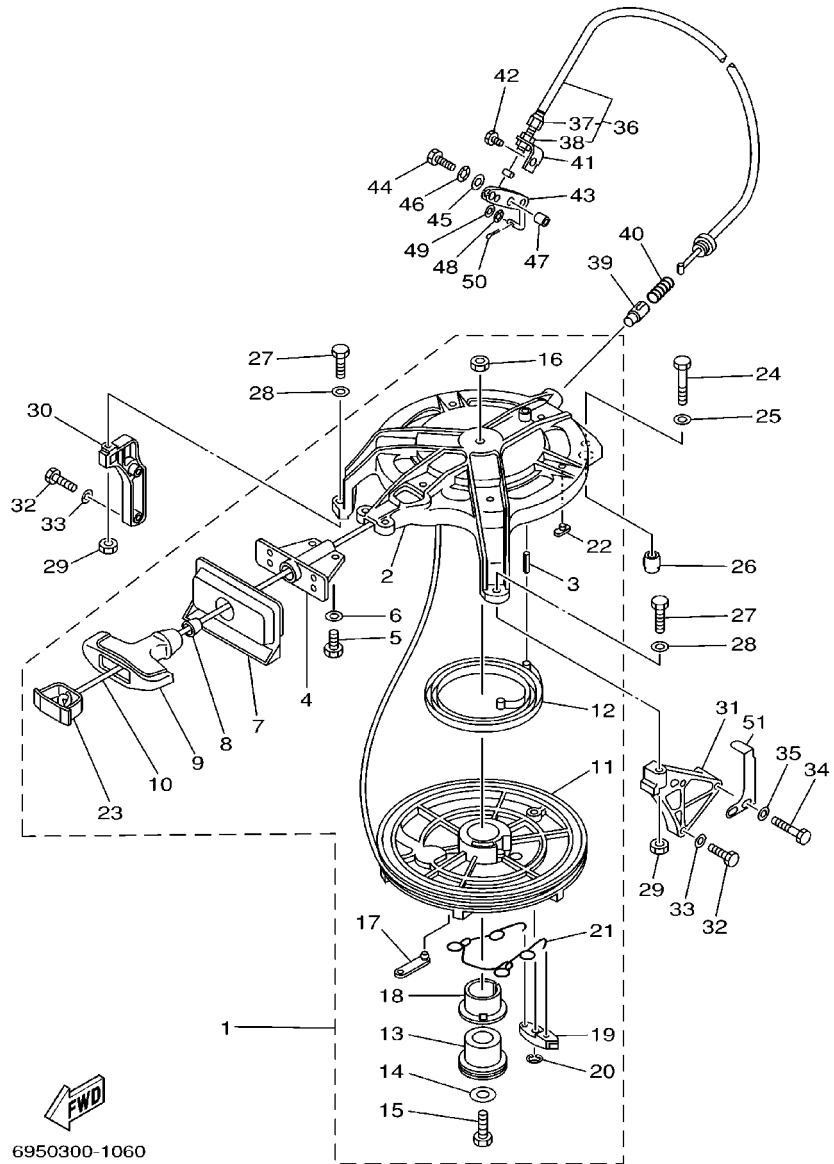
* CUT FROM 50M ROLLS, PART NO. 90890-44373, CUTTING LENGTH 2.095M

* CORTE DE UN RODILLO DE 50M, PARTS NUMERO 90890-44373, LARGO DEL CORTE 2.095M

FWD
6950300-1060

FIG. 6 STARTER

ARRANQUE

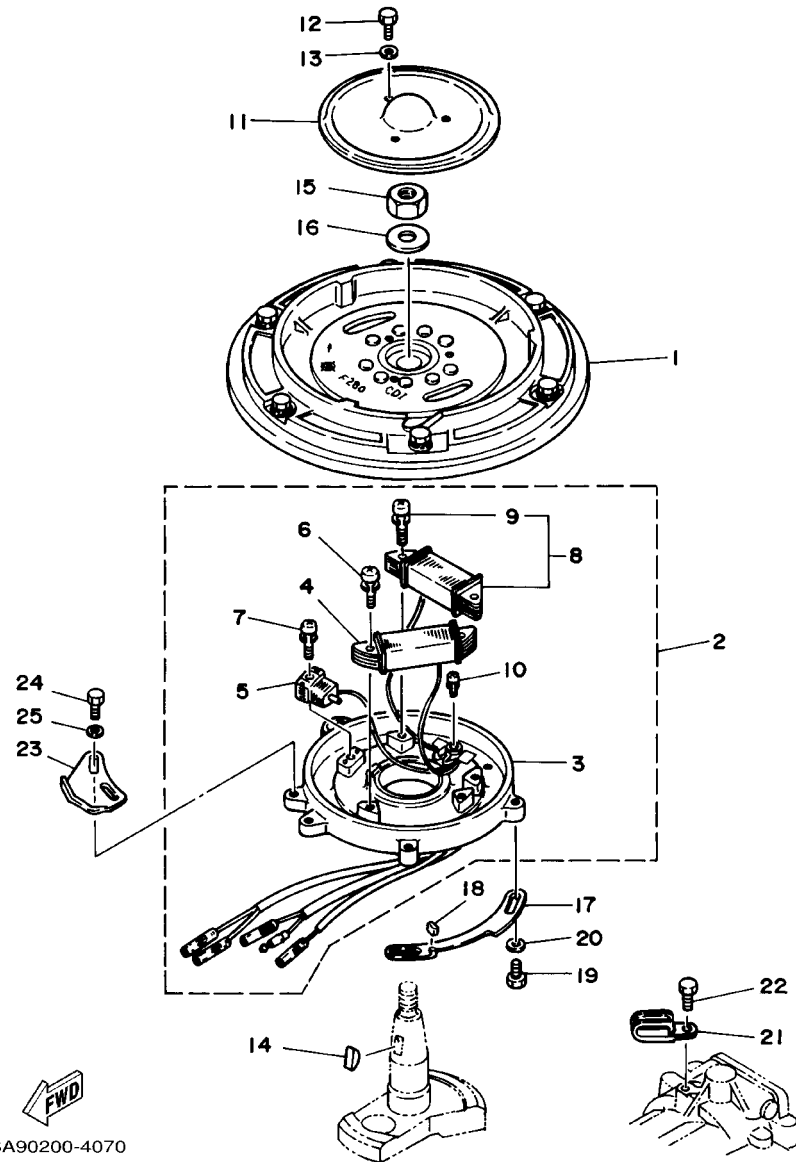


6950300-1060

REF. NO.	PART NO. CODIGO NO.	DESCRIPTION DESCRIPTION	20C				REMARKS OBSERVACION
26	99530-12016	PIN, DOWEL PASADOR, DE ESPIGA	1				
27	97095-06030	BOLT PERNO	2				
28	92995-06600	WASHER ARANDELA	2				
29	95380-06600	NUT, HEXAGON TUERCA	2				
30	6H7-15771-01-94	STAY 1 SOPORTE 1	1				
31	656-15772-00-94	STAY 2 SOPORTE 2	1				
32	97013-06025	BOLT PERNO	4				
33	92903-06600	WASHER, PLATE ARANDELA	4				
34	97013-06045	BOLT PERNO	1				
35	92903-06600	WASHER, PLATE ARANDELA	1				
36	656-15770-00	CABLE COMP., STARTER STOP CABLECOMPL DE SEGURO ARRANQUE	1				EXCEPT FOR MALAYSIA
37	90123-06049	BOLT PERNO	1				
38	95380-06600	NUT, HEXAGON TUERCA	2				
39	656-15748-00	PLUNGER, STARTER STOP EMBOLO SEGURO DE ARRANQUE	1				EXCEPT FOR MALAYSIA
40	90501-10227	SPRING, COMPRESSION RESORTE DE COMPRESION	1				EXCEPT FOR MALAYSIA
41	656-15774-00	STAY 4 SOPORTE 4	1				EXCEPT FOR MALAYSIA
42	97095-06010	BOLT PERNO	1				EXCEPT FOR MALAYSIA
43	656-15749-00	LINK, STARTER STOP ESLABON SEGURO DE ARRANQUE	1				EXCEPT FOR MALAYSIA
44	97095-06020	BOLT PERNO	1				EXCEPT FOR MALAYSIA
45	92903-06600	WASHER, PLATE ARANDELA	1				EXCEPT FOR MALAYSIA
46	90206-08010	WASHER, WAVE ARANDELA ONDULADA	1				EXCEPT FOR MALAYSIA
47	90387-06568	COLLAR COLLAR	1				EXCEPT FOR MALAYSIA
48	90206-05005	WASHER, WAVE ARANDELA ONDULADA	1				EXCEPT FOR MALAYSIA
49	92903-05600	WASHER, PLATE ARANDELA	1				EXCEPT FOR MALAYSIA
50	91490-16010	PIN, COTTER PASADOR DE CHAVETA	1				EXCEPT FOR MALAYSIA
51	689-81332-01	PLATE, TIMING PLACA REGULADOR DE TIEMPO	1				

FIG. 7 GENERATOR

GENERADOR



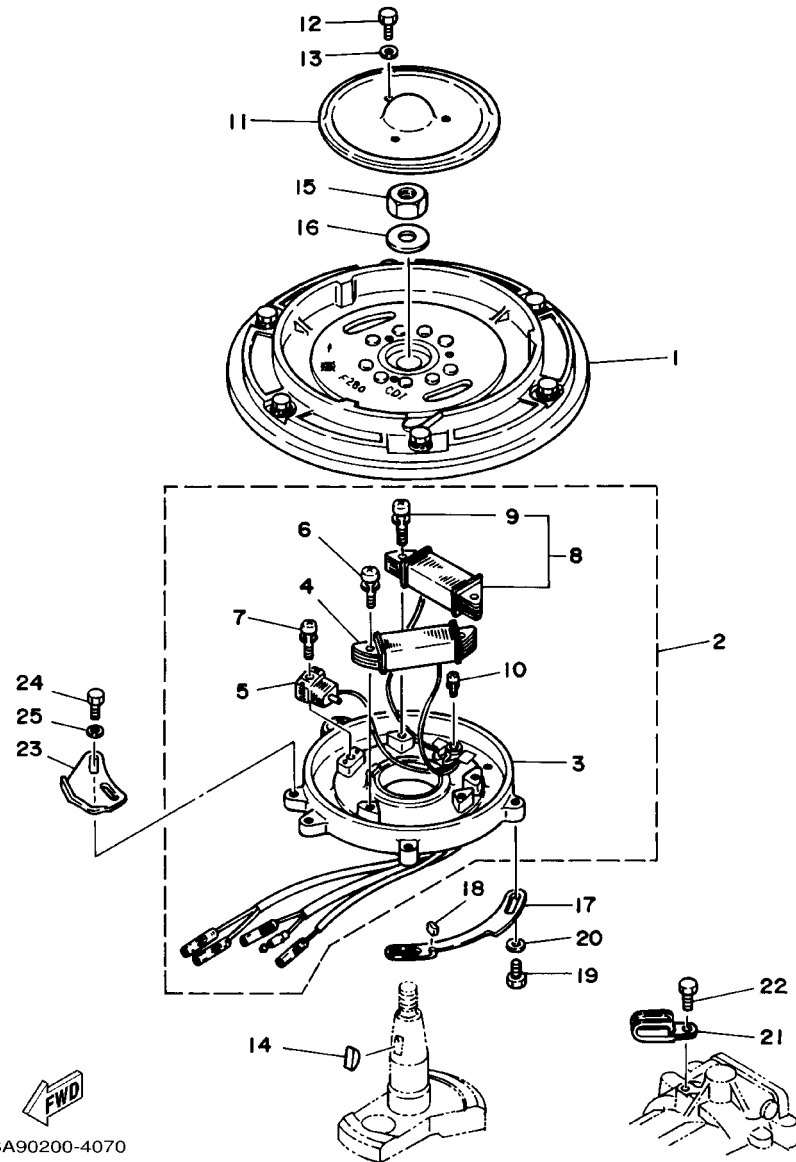
6A90200-4070

REF. NO.	PART NO. CODIGO NO.	DESCRIPTION DESCRIPTION	20C				REMARKS OBSERVACION
1	695-85550-70	ROTOR ASSY ROTOR COMPLETO	1				
2	695-85560-40	BASE ASSY CONJUNTO BASE	1				
	695-85560-A0	BASE ASSY CONJUNTO BASE	1				FOR MALAYSIA
3	695-85561-70	.BASE, MAGNETO .BASE DE MAGNETO	1				
4	695-85520-70	.COIL, CHARGE .BOBINA DE CARGA	1				
5	695-85580-70	.COIL, PULSER .BOBINA DE PULSACION	1				
6	90159-05039	.SCREW, WITH WASHER .TORNILLO CON VALONA	2				
7	90159-05038	.SCREW, WITH WASHER .TORNILLO CON VALONA	1				
8	695-81303-40	.LIGHTING COIL ASSY .BOBINA DE ILUMINACION COMPL.	1				FOR 695-85560-40
	695-81303-A0	.LIGHTING COIL ASSY .BOBINA DE ILUMINACION COMPL.	1				FOR 695-85560-A0
9	90159-05039	.SCREW, WITH WASHER .TORNILLO CON VALONA	2				FOR 695-85560-40
	90159-05040	.SCREW, WITH WASHER .TORNILLO CON VALONA	2				FOR 695-85560-A0
10	90159-04036	.SCREW, WITH WASHER .TORNILLO CON VALONA	1				FOR 695-85560-40
	90159-04035	.SCREW, WITH WASHER .TORNILLO CON VALONA	1				FOR 695-85560-A0
11	648-81362-00	COVER, HOLE CUBIERTA DE ORIFICIO	1				
12	97095-06012	BOLT PERNO	3				
13	92995-06600	WASHER ARANDELA	3				
14	90280-05013	KEY, WOODRUFF CUNA WOODRUFF	1				
15	90170-12066	NUT TUERCA	1				
16	90201-12472	WASHER, PLATE ARANDELA PLANA	1				
17	6A9-41615-01	STOPPER, MAGNETO BASE RETenEDOR, BASE MAGNETO	1				
18	695-44194-00	CAP TAPA	1				
19	97013-06012	BOLT PERNO	2				
20	92903-06600	WASHER, PLATE ARANDELA	2				
21	90461-06M01	CLAMP GRAPA	1				
22	97095-06010	BOLT PERNO	1				
23	6A9-41213-00-94	CAM, ACCEL. LEVA ACELERADOR	1				

C1

FIG. 7 GENERATOR

GENERADOR

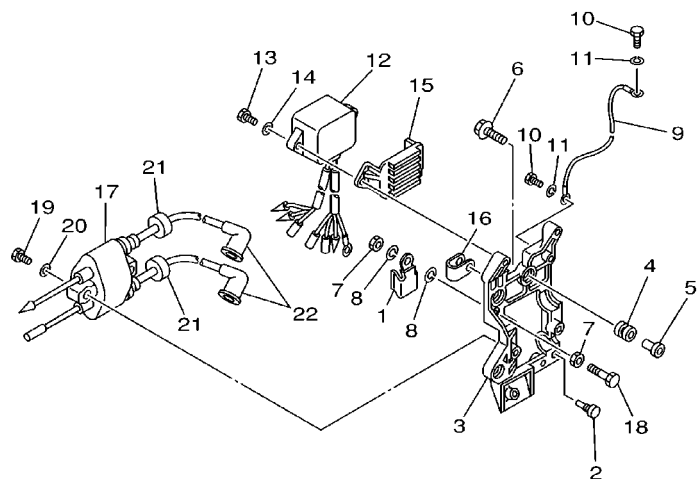


REF. NO.	PART NO. CODIGO NO.	DESCRIPTION DESCRIPTION	20C				REMARKS OBSERVACION
24	97095-05012	BOLT PERNO	2				
25	92995-05600	WASHER ARANDELA	2				

FWD
6A90200-4070

FIG. 8 ELECTRICAL

ELECTRICO



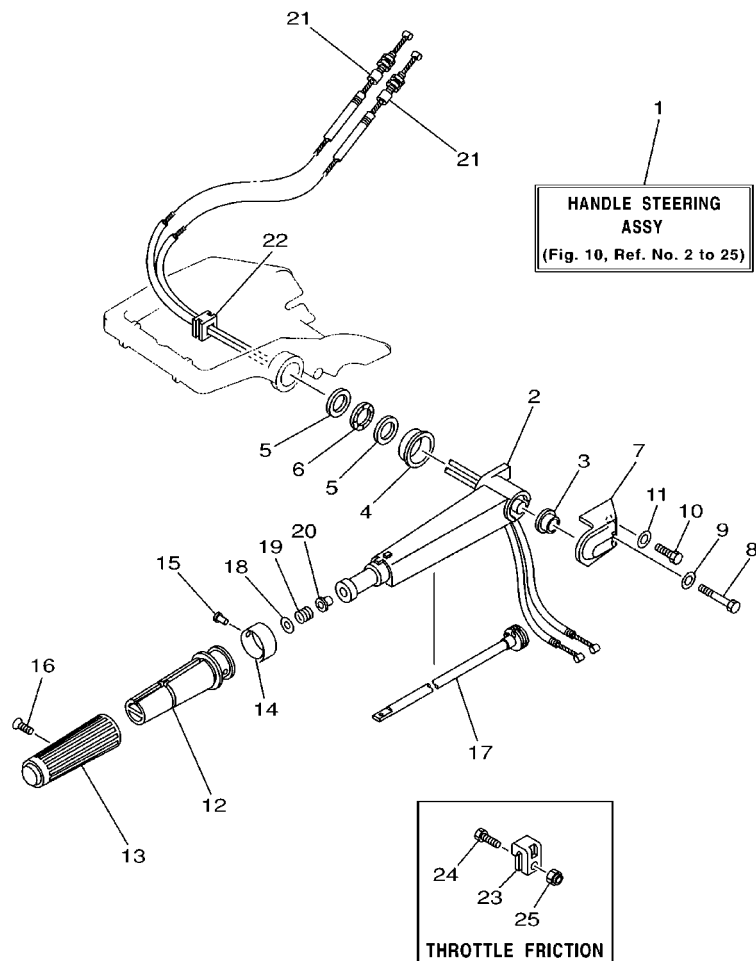
REF. NO.	PART NO. CODIGO NO.	DESCRIPTION DESCRIPTION	20C				REMARKS OBSERVACION
1	90465-08M13	CLAMP BRIDA	1				
2	689-85547-00	DAMPER AMORTIGUADOR	1				
3	695-85542-00-94	BRACKET SOPORTE	1				
4	6A0-82317-00	DAMPER, IGNITION COIL AMORTIGUADOR BOBINA ENCENDIDO	3				
5	624-42542-00	PIPE TUBO	3				
6	90119-06M88	BOLT, WITH WASHER TORNILLO CON ARANDELA	3				
7	95380-06600	NUT, HEXAGON TUERCA	2				
8	92990-06100	WASHER, SPRING ARANDELA	2				
9	689-82519-00	WIRE, EARTH LEAD CABLE CONDUCTOR A TIERRA	1				
10	97090-06012	BOLT PERNO	2				
11	92990-06100	WASHER, SPRING ARANDELA	2				
12	695-85540-11	C.D.I. UNIT ASSY UNIDAD C.D.I. COMPLETA	1				
13	97095-06025	BOLT PERNO	2				
14	92995-06600	WASHER ARANDELA	2				
15	689-85548-01	HOLDER SOSTEN	1				
16	90464-12M00	CLAMP BRIDA	1				
17	680-85570-00	IGNITION COIL ASSY BOBINA DE IGNICION COMPLETO	1				
18	97090-06016	BOLT PERNO	1				
19	97095-06025	BOLT PERNO	2				
20	92995-06600	WASHER ARANDELA	2				
21	90480-25161	GROMMET TAPON	2				
22	663-82370-01	PLUG CAP ASSY TAPON DE BUJIA COMPLT	2				



6950300-1080

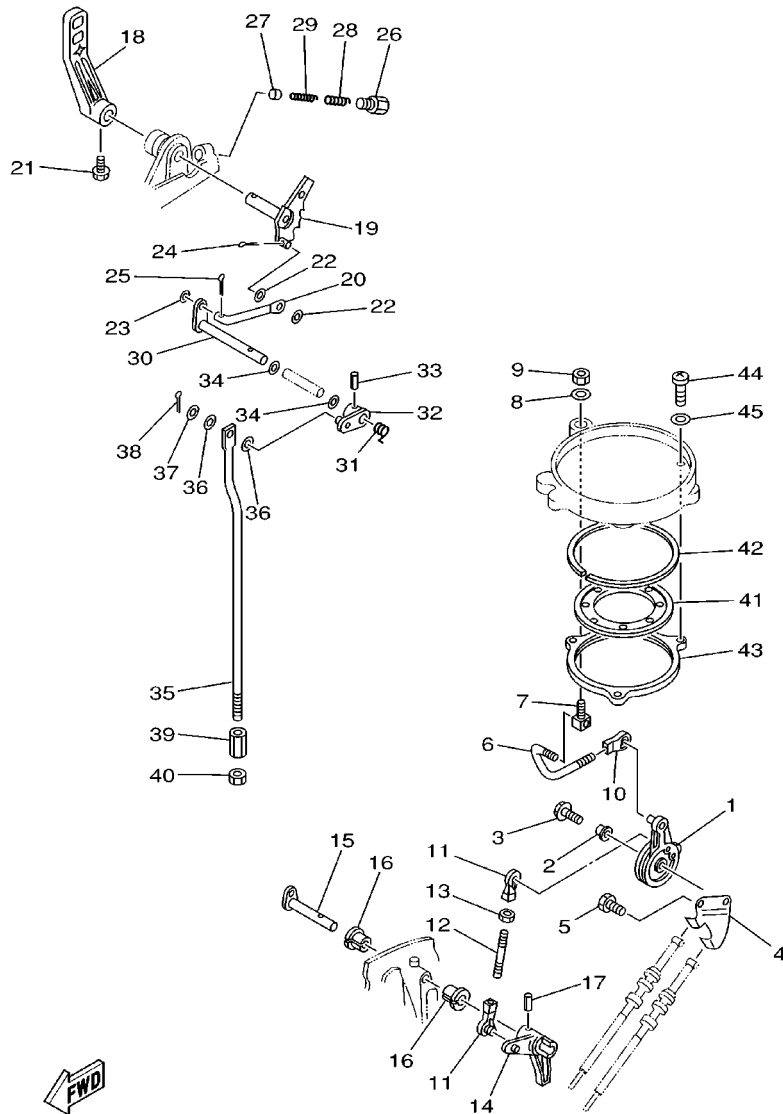
FIG. 10 STEERING

DIRECCION



REF. NO.	PART NO. CODIGO NO.	DESCRIPTION DESCRIPTION	20C				REMARKS OBSERVACION
1	6A9-W0084-12-4D	HANDLE STEERING ASSY CONJUNTO DE MANIJA	1				
2	689-42111-01-4D	HANDLE, STEERING MANIJA DE DIRECCION	1				
3	90387-13003	COLLAR COLLAR	1				
4	90387-33001	COLLAR COLLAR	1				
5	90201-28013	WASHER, PLATE ARANDELA PLANA	2				
6	90206-28001	WASHER, WAVE ARANDELA ONDULADA	1				
7	69P-42112-00-4D	HANDLE, STEERING MANIJA DE DIRRECCION	1				
8	97095-06050	BOLT PERNO	1				
9	92995-06600	WASHER ARANDELA	1				
10	97095-06020	BOLT PERNO	1				
11	92995-06600	WASHER ARANDELA	1				
12	664-42119-00	GRIP, STEERING HANDLE MANGO, MANIJA DE DIRRECCION	1				
13	6F6-42177-A0	RUBBER, HANDLE HULE DE MANIJA	1				
14	6A9-42137-01	INDICATOR, THROTTLE INDICADOR ACELERADOR	1				
15	90269-02M09	RIVET REMACHE	1				
16	90149-05M13	SCREW TORNILLO DE REGLAJE	1				
17	689-42138-00	LEVER, THROTTLE PLANCA DE ACELERACION	1				
18	92903-10600	WASHER, PLATE ARANDELA	1				
19	90501-23215	SPRING, COMPRESSION RESORTE DE COMPRESION	1				
20	90386-08032	BUSH BUJE	1				
21	689-26311-03	CABLE, THROTTLE 1 CABLE DE ACELERADOR 1	2				
22	90480-12156	GROMMET TAPON	1				
23	656-42126-01	FRICTION, STEERING HANDLE GRIP FRICCION DE MANGO DIRECCION	1				
24	97095-06020	BOLT PERNO	1				
25	90185-06062	NUT, SELF-LOCKING TUERCA AUTOBLOCANTE	1				

6950300-1100

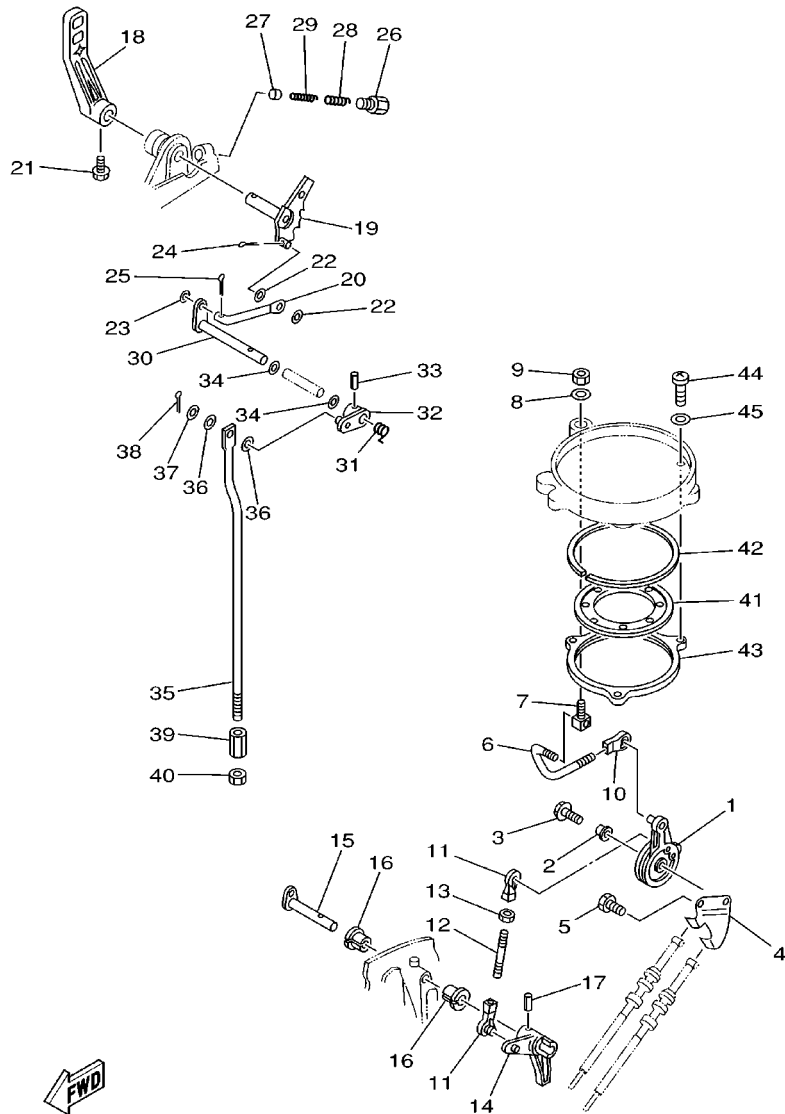


6950300-1110

FIG. 11 CONTROL

CONTROL

REF. NO.	PART NO. CODIGO NO.	DESCRIPTION DESCRIPTION	20C				REMARKS OBSERVACION
1	664-41631-00-94	LEVER, MAGNETO CONTROL PALANCA DE CONTROL DE MAGNETO	1				
2	90387-06M02	COLLAR COLLAR	1				
3	90119-06M49	BOLT, WITH WASHER TORNILLO CON ARANDELA	1				
4	664-14497-00	STAY, THROTTLE WIRE SOPORTE VALVULA DE OBTURACION	1				
5	97095-06012	BOLT PERNO	1				
6	664-41636-00	ROD, MAGNETO CONTROL VARILLA DE CONTROL MAGNETO	1				
7	648-41635-00	SHAFT, LINK CONNECTING EJE ESLABON CONECTOR	1				
8	90201-05556	WASHER, PLATE ARANDELA PLANA	1				
9	95380-05600	NUT TUERCA	1				
10	662-41237-01	JOINT, LINK CONECTOR	1				
11	662-41237-01	JOINT, LINK CONECTOR	2				
12	90116-05220	BOLT, STUD ESPARRAGO	2				
13	95380-05600	NUT TUERCA	2				
14	6A9-42154-00-94	LEVER, THROTTLE CONTROL PALANCA CONTROL ACELERADOR	1				
15	656-42153-00-94	SHAFT, THROTTLE CONTROL EJE CONTROL DEL ACELERADOR	1				
16	90386-10009	BUSH BUJE	2				
17	91690-40018	PIN, SPRING PASADOR DE RESORTE	1				
18	689-44111-01-4D	HANDLE, GEAR SHIFT MANIJA DE CAMBIO DE MARCHAS	1				
19	664-44113-01	CAM PLATE, HANDLE PLACA DE LA LEVA DEL MANGO	1				
20	664-44142-00	JOINT CONECTOR	1				
21	90105-06M07	BOLT, FLANGE TORNILLO	1				
22	90202-06007	WASHER, PLATE ARANDELA DE PLANA	2				
23	92990-05600	WASHER, PLATE ARANDELA	1				
24	91490-16010	PIN, COTTER PASADOR DE CHAVETA	1				
25	91490-12010	PIN, COTTER PASADOR DE CHAVETA	1				
26	664-42715-00	BUSHING BUJE	1				
27	664-44167-00	PLUNGER, SHIFT CAM EMBOLO DE CAMBIO	1				



6950300-1110

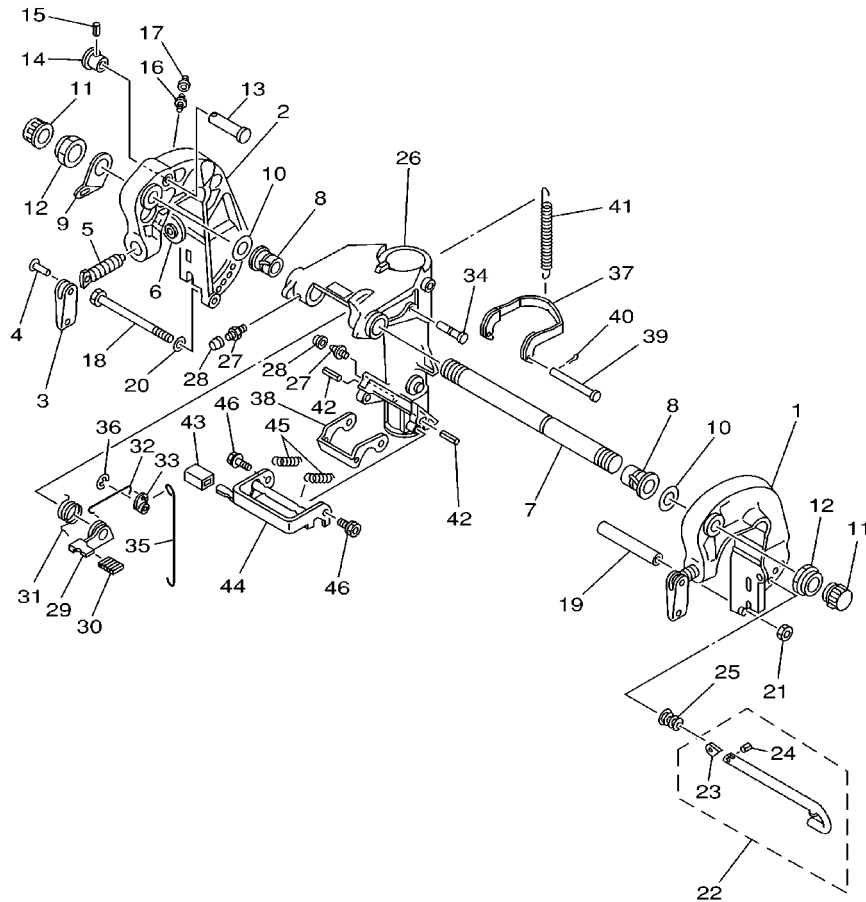
FIG. 11 CONTROL

CONTROL

REF. NO.	PART NO. CODIGO NO.	DESCRIPTION DESCRIPTION	20C				REMARKS OBSERVACION
28	90501-14M07	SPRING, COMPRESSION RESORTE DE COMPRESION	1				
29	90501-09M08	SPRING, COMPRESSION RESORTE DE COMPRESION	1				
30	689-44121-01	LEVER, SHIFT ROD PALANCA VARILLA CAMBIOS	1				
31	90508-14M13	SPRING, TORSION RESORTE DE TORSION	1				
32	689-44125-00	LEVER, SHIFT ROD PALANCA VARILLA CAMBIOS	1				
33	91690-40016	PIN, SPRING PASADOR DE RESORTE	1				
34	90202-10024	WASHER, PLATE ARANDELA DE PLANA	2				
35	6G0-44143-00	ROD, SHIFT VARILLA DE CAMBIO	1				
36	90202-06007	WASHER, PLATE ARANDELA DE PLANA	2				
37	92990-05600	WASHER, PLATE ARANDELA	1				
38	91490-20010	PIN, COTTER PASADOR DE CHAVETA	1				
39	648-44146-00	CONNECTOR, SHIFT ROD CONECTOR VARILLA DE CAMBIO	1				
40	90170-07021	NUT TUERCA	1				
41	695-41612-00	RETAINER, MAGNETO BASE RETENEDOR BASE MAGNETO	1				
42	695-41613-00	PLATE, BASE FRICTION PLACA DE BASE DE FRICCION	1				
43	695-41611-00-94	RETAINER, MAGNETO BASE RETENEDOR BASE MAGNETO	1				
44	97885-05010	SCREW, PAN HEAD TORNILLO DE CABEZA CON PLANA	3				
45	92995-05600	WASHER ARANDELA	3				

FIG. 12 BRACKET 1

SOPORTE 1



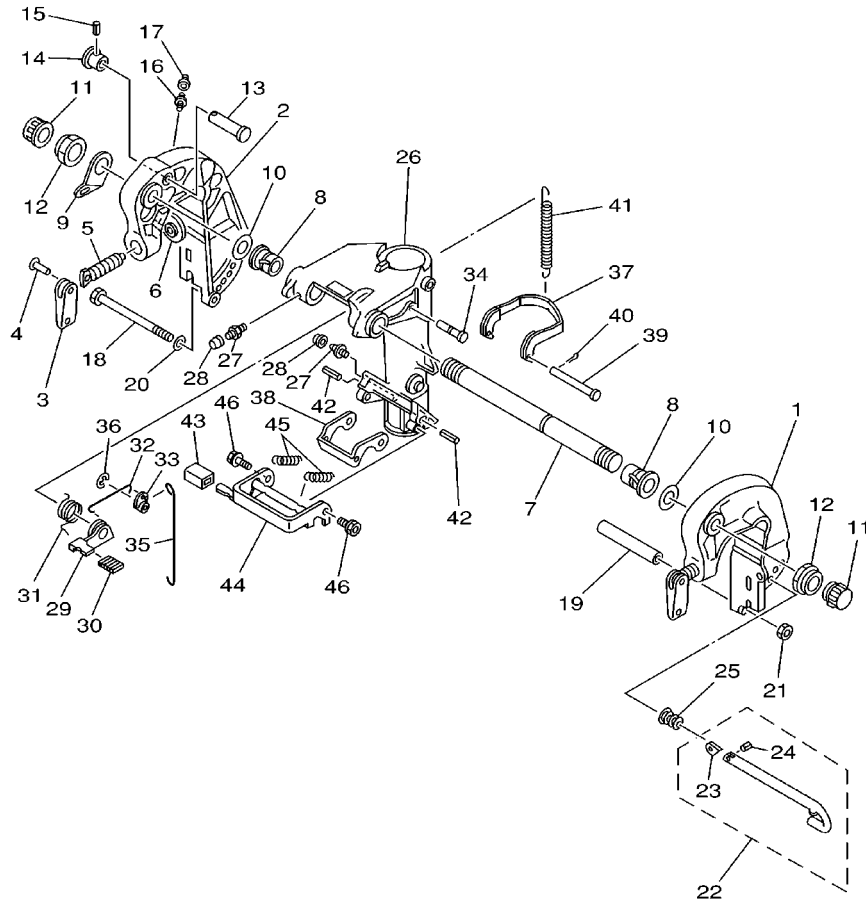
FWD
6A90200-1120

REF. NO.	PART NO. CODIGO NO.	DESCRIPTION DESCRIPTION	20C				REMARKS OBSERVACION
1	689-43111-03-4D	BRACKET, CLAMP SOPORTE DE LA ABRAZADERA	1				
2	689-43112-02-4D	BRACKET, CLAMP SOPORTE DE LA ABRAZADERA	1				
3	6E0-43118-01	HANDLE, TRANSOM CLAMP MANIJA DE LA ABRAZADERA DEL ES	2				
4	90243-04M01	PIN PASADOR	2				
5	90149-14030	SCREW TORNILLO DE REGLAJE	2				
6	648-43114-01	PAD, TRANSOM CLAMP ARANDELA DE ABRAZADERA	2				
7	6J8-43131-01	BOLT, CLAMP BRACKET TORNILLO DE ABRAZADERA DEL SOP	1				
8	90386-22M67	BUSH BUJE	2				
9	6J8-43113-01	PLATE, CLAMP BRACKET PLACA ABRAZADERA SOPORTE	1				
10	90201-22M03	WASHER, PLATE ARANDELA PLANA	2				
11	6G5-43145-01	CAP, CLAMP BRACKET TAPA	2				
12	90185-22043	NUT, SELF-LOCKING TUERCA AUTOBLOCANTE	2				
13	689-43191-00	SHAFT, STOPPER EJE DE TOPE	1				
14	689-43192-01	KNOB, STOPPER PERILLA DE TOPE	1				
15	91690-30016	PIN, SPRING PASADOR DE RESORTE	1				
16	93700-06M03	NIPPLE, GREASE NIPLE DE ENGRASAR	1				
17	663-45119-00	CAP, GREASE NIPPLE TAPA DE GRASERA	1				AP
18	90101-08339	BOLT TORNILLO	1				
19	90387-08M03	COLLAR COLLAR	1				
20	92995-08600	WASHER ARANDELA	1				
21	95380-08600	NUT TUERCA	1				
22	689-43160-00	TILT ROD ASSY VARILLA DE BASCULACION COMPL.	1				
23	689-43165-00	.PLATE, TILT LOCK .PLACA DE TOPE, VARILLA SEGUR	1				
24	91690-30008	.PIN, SPRING .PASADOR DE RESORTE	1				
25	90502-10M07	SPRING, CONICAL RESORTE CONICO	1				
26	689-43311-03-4D	BRACKET, SWIVEL 1 SOPORTE GIRATORIO 1	1				
27	93700-06M03	NIPPLE, GREASE NIPLE DE ENGRASAR	3				

D1

FIG. 12 BRACKET 1

SOPORTE 1



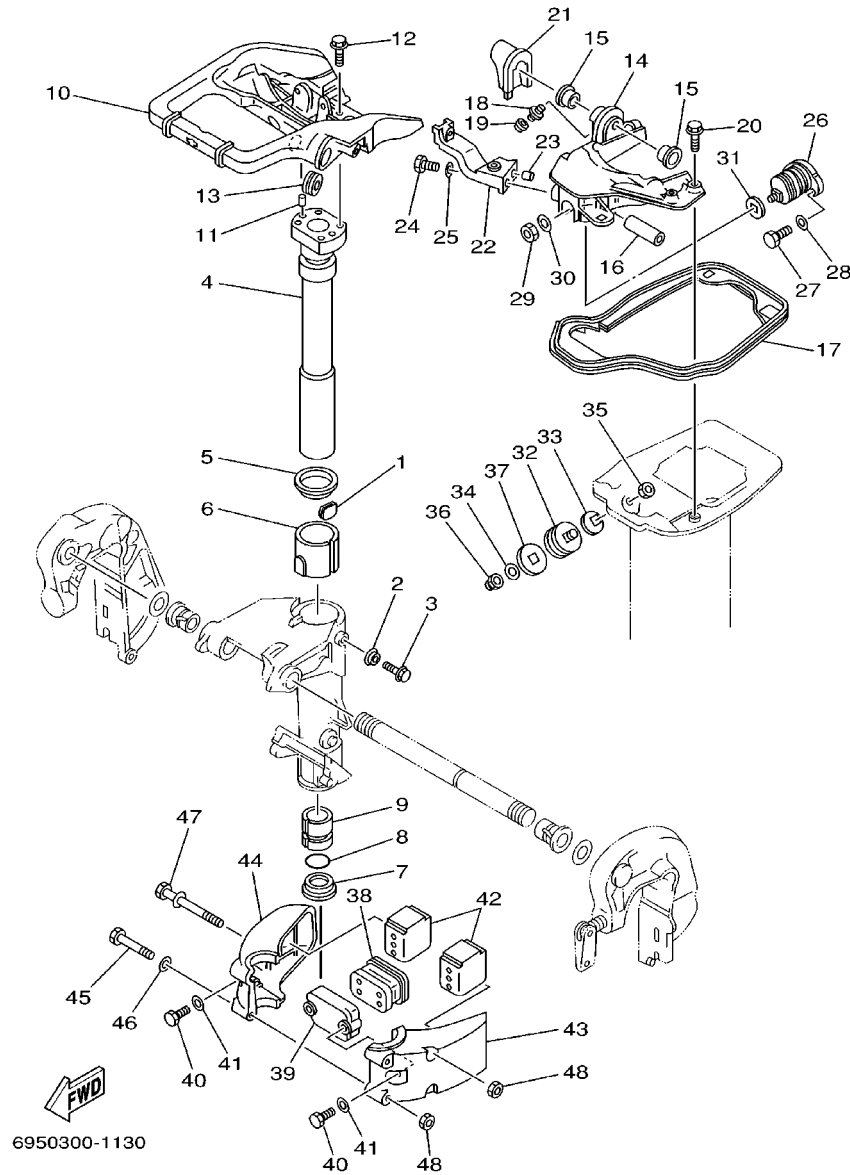
REF. NO.	PART NO. CODIGO NO.	DESCRIPTION DESCRIPTION	20C				REMARKS OBSERVACION
28	663-45119-00	CAP, GREASE NIPPLE TAPA DE GRASERA	3				AP
29	689-43631-00	LEVER, TILT PALANCA DE INCLINACION	1				
30	689-43633-00	COVER, TILT LEVER CUBIERTA PALANCA DE INCLINACI	1				
31	689-43643-00	SPRING RESORTE	1				
32	689-43616-00	ROD, TILT LOCK VARILLA SEGURO DE INCLINACION	1				
33	648-43642-00	LEVER, TILT 1 PALANCA DE INCLINACION1	1				
34	90249-06M22	PIN PASADOR	1				
35	648-43617-00	ROD, TILT LOCK VARILLA SEGURO DE INCLINACION	1				
36	99080-05600	CIRCLIP PRESILLA REDONDA	1				
37	689-43614-01	PLATE, TILT LOCK PLACA DE SEGURO DE INCLINACION	1				
38	648-43615-00	PLATE, TILT LOCK PLACA DE SEGURO DE INCLINACION	1				
39	90240-05047	PIN, CLEVIS PASADOR CON HOYO	1				
40	91490-16010	PIN, COTTER PASADOR DE CHAVETA	1				
41	90506-30M27	SPRING, TENSION RESORTE DE TENSION	1				
42	91690-40035	PIN, SPRING PASADOR DE RESORTE	2				FOR MALAYSIA
43	682-43318-01	COVER CUBIERTA	1				FOR MALAYSIA
44	689-43681-01	LEVER, SHALLOW WATER DRIVE 1 PALANCA 1	1				FOR MALAYSIA
45	90506-16M17	SPRING, TENSION RESORTE DE TENSION	2				FOR MALAYSIA
46	90109-06M18	BOLT PERNO	2				FOR MALAYSIA



6A90200-1120

FIG. 13 BRACKET 2

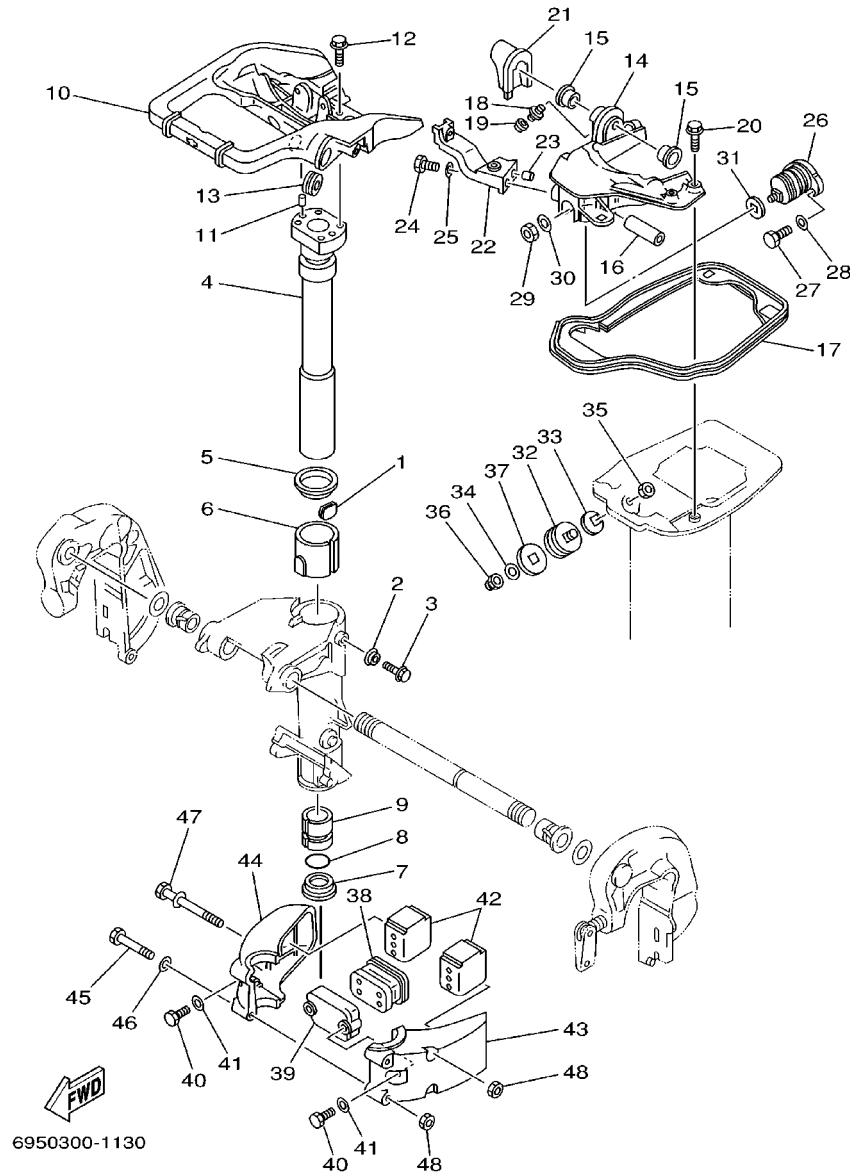
SOPORTE 2



REF. NO.	PART NO. CODIGO NO.	DESCRIPTION DESCRIPTION	20C				REMARKS OBSERVACION
1	648-42528-00	PLATE, FRICTION PIEZA DE FRICCION	1				
2	689-43373-01	SEAL, DAMPER SELLO DE GOMA	1				
3	90105-06M18	BOLT, FLANGE TORNILLO	1				
4	689-42521-00-94	SHAFT, STEERING PIVOT EJE PIVOTE DE DIRECCION	1				
5	90209-47016	WASHER ARANDELA DE SEPARACION	1				
6	90386-47M22	BUSH BUJE	1				
7	90386-38022	BUSH BUJE	1				
8	93210-37160	O-RING ANILLO O	1				
9	90386-38090	BUSH BUJE	1				
10	69P-42511-00-4D	BRACKET, STEERING SOPORTE DE DIRECCION	1				
11	93608-12063	PIN, DOWEL PASADOR DE CLAVIJA	2				
12	90105-06M07	BOLT, FLANGE TORNILLO	4				
13	90480-29045	GROMMET TAPON	1				
14	648-44518-01-94	BRACKET COMP. SOPORTE	1				
15	90381-12M01	BUSH, SOLID BUJE SOLIDO	2				
16	90387-10M39	COLLAR COLLAR	1				
17	689-42716-00	RUBBER, SEAL 1 SELLO DE GOMA 1	1				
18	93700-06M03	NIPPLE, GREASE NIPLE DE ENGRASAR	1				
19	663-45119-00	CAP, GREASE NIPPLE TAPA DE GRASERA	1				AP
20	90105-06M08	BOLT, FLANGE TORNILLO	4				
21	689-42718-00	RUBBER, SEAL 3 GOMA	1				
22	648-44519-00-94	BRACKET SOPORTE	1				
23	93606-12019	PIN, DOWEL PASADOR DE CLAVIJA	1				
24	97090-06018	BOLT PERNO	1				
25	92990-06600	WASHER, PLATE ARANDELA	1				
26	689-44516-00	MOUNT DAMPER, UPPER FRONT AMORTIGUADOR DE HULE FRENTE SU	1				
27	97095-06020	BOLT PERNO	2				

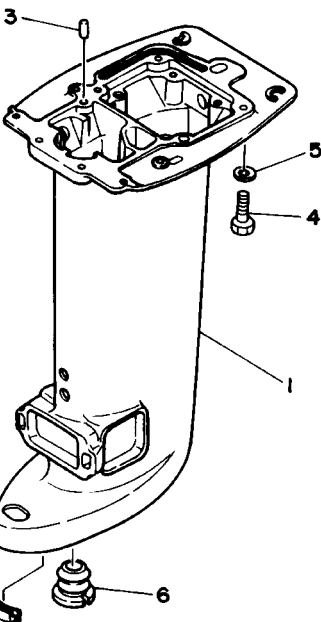
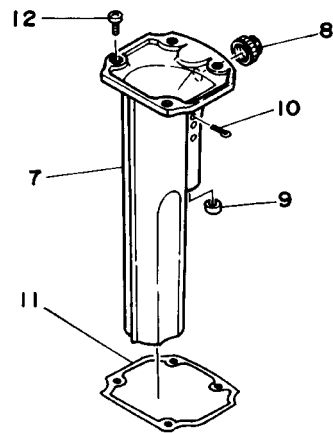
FIG. 13 BRACKET 2

SOPORTE 2



6950300-1130

REF. NO.	PART NO. CODIGO NO.	DESCRIPTION DESCRIPTION	20C				REMARKS OBSERVACION
28	92995-06600	WASHER ARANDELA	2				
29	90170-10M42	NUT TUERCA	1				
30	92990-10200	WASHER, PLAIN ARANDELA	1				
31	648-44591-A0	GASKET EMPAQUE, AMORTIGUADOR	1				
32	664-44514-00-94	MOUNT DAMPER, UPPER SIDE AMORTIGUADOR LADO SUPERIOR	2				
33	648-44591-A0	GASKET EMPAQUE, AMORTIGUADOR	2				
34	92990-10200	WASHER, PLAIN ARANDELA	2				
35	90170-10M42	NUT TUERCA	2				
36	90176-10M01	NUT, CROWN TUERCA CORONA	2				
37	664-44591-A0	GASKET EMPAQUE, AMORTIGUADOR	2				
38	689-44557-00	MOUNT DAMPER, LOWER FRONT AMORTIGUADOR DE HULE FRENTE IN	1				
39	689-44553-00-94	COVER, LOWER MOUNT CUBIERTA, AMORTIGUADOR INFERIOR	1				
40	97075-08025	BOLT PERNO	2				
41	92995-08600	WASHER ARANDELA	2				
42	689-44555-00	MOUNT DAMPER, LOWER SIDE AMORTIGUADOR DE HULE LADO INFE	2				
43	689-44551-01-4D	HOUSING, LOWER MOUNT RUBBER CAJA AMORTIGUADOR INFERIOR HU	1				
44	689-44552-01-4D	HOUSING, LOWER MOUNT RUBBER CAJA AMORTIGUADOR INFERIOR HU	1				
45	97095-08065	BOLT PERNO	2				
46	92995-08600	WASHER ARANDELA	2				
47	90119-08M03	BOLT, WITH WASHER TORNILLO CON ARANDELA	2				
48	95380-08600	NUT TUERCA	4				



6950300-7140

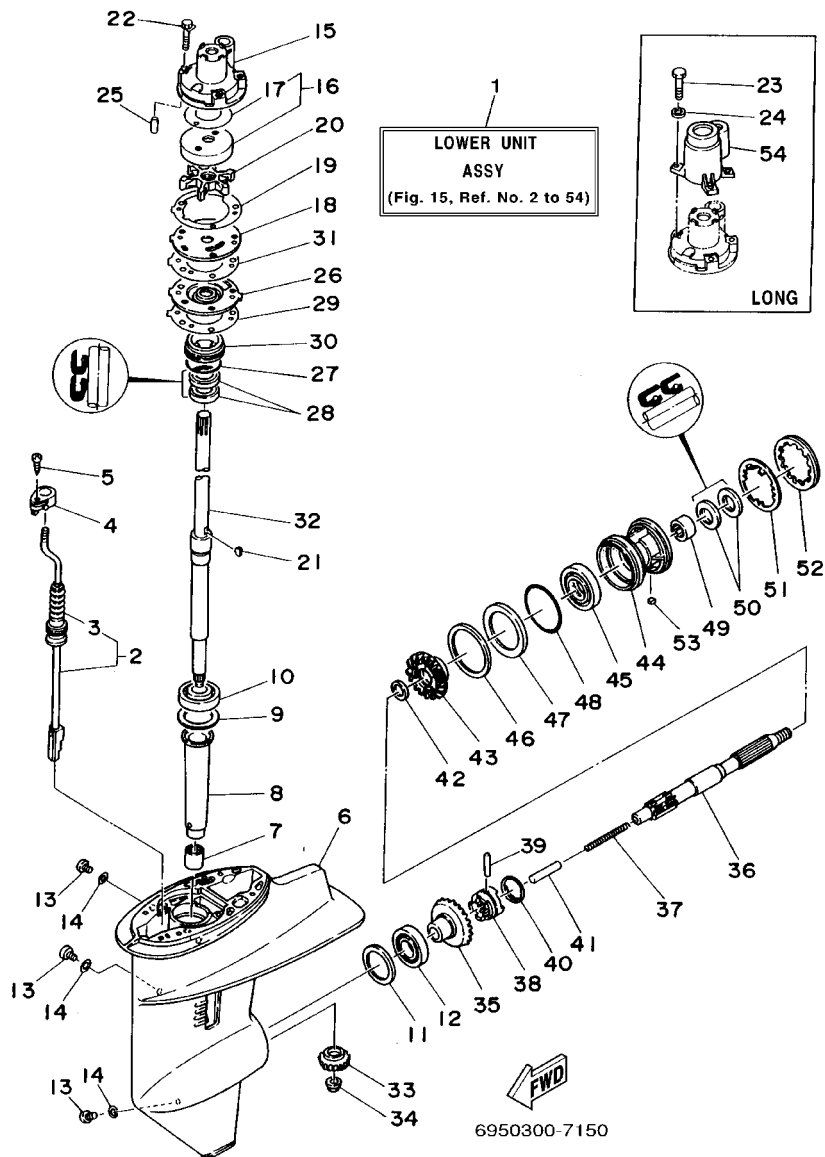
FIG. 14 UPPER CASING

FUNDA SUPERIOR

REF. NO.	PART NO. CODIGO NO.	DESCRIPTION DESCRIPTION	20C				REMARKS OBSERVACION
1	689-45111-04-4D	CASING, UPPER CAJA SUPERIOR	1				S
	689-45111-13-4D	CASING, UPPER CAJA SUPERIOR	1				L
2	61N-45375-00	DAMPER, SEAL GOMA DE SELLO	1				L
3	93606-12019	PIN, DOWEL PASADOR DE CLAVIJA	2				
4	97075-08030	BOLT PERNO	6				
5	92995-08600	WASHER ARANDELA	6				
6	689-45127-00	SEAL SELLO DE GOMA	1				S
7	664-41131-01-94	MANIFOLD, EXT. 1 TUBO MULTIPLE DE ESCAPE	1				
8	664-41133-00	GASKET, EXHAUST MANIFOLD 1 EMPAQUE ESCAPE MULTIPLE	1				
9	664-41135-00	GASKET, EXHAUST MANIFOLD EMPAQUE	1				
10	91490-30025	PIN, COTTER PASADOR DE CHAVETA	1				
11	664-41134-A0	GASKET, EXHAUST MANIFOLD EMPAQUE	1				
12	97880-06016	SCREW, PAN HEAD TORNILLO DE CABEZA CON PLANA	4				

FIG. 15 LOWER CASING, DRIVE 1

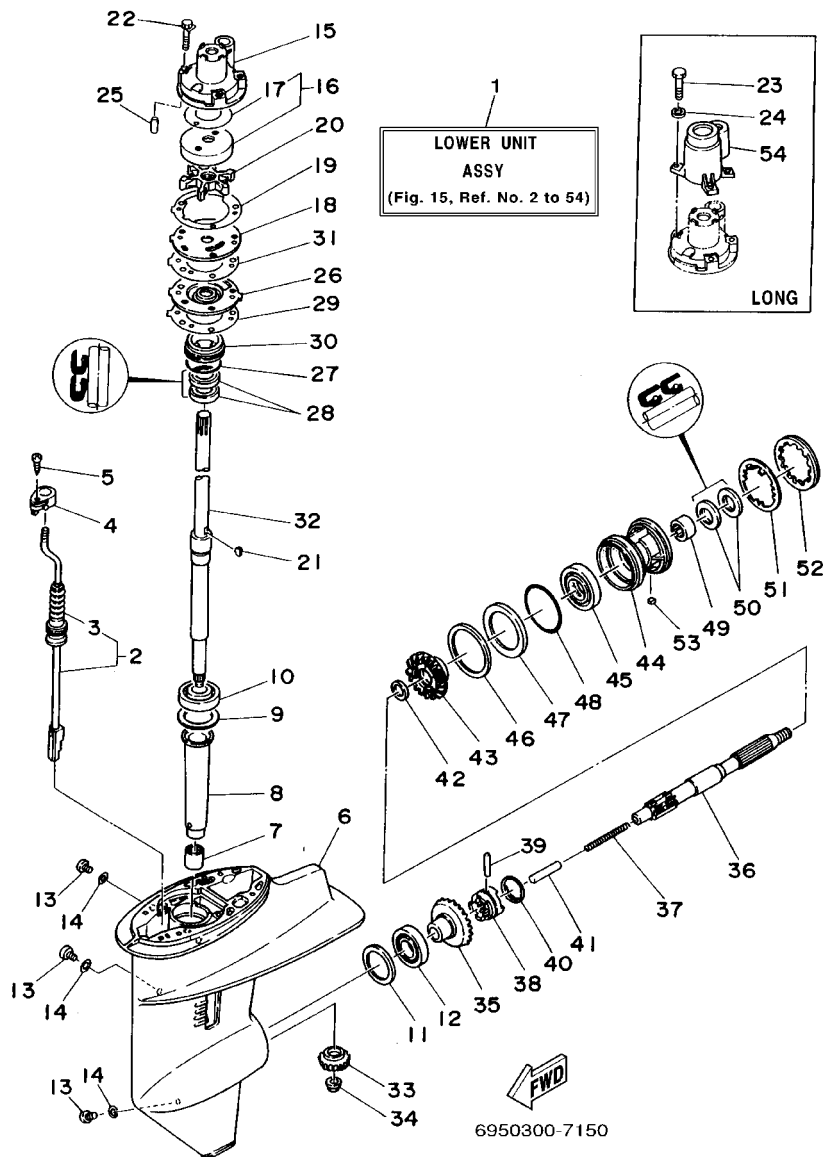
IMPULSOR E INFERIOR 1



REF. NO.	PART NO. CODIGO NO.	DESCRIPTION DESCRIPTION	20C				REMARKS OBSERVACION
1	689-45300-06-4D	LOWER UNIT ASSY CONJUNTO UNIDAD INFERIOR	1				S
	689-45300-16-4D	LOWER UNIT ASSY CONJUNTO UNIDAD INFERIOR	1				L
2	695-44150-00	SHIFT CAM ASSY CONJUNTO EJE LEVA COMPL.	1				S
	695-44150-10	SHIFT CAM ASSY CONJUNTO EJE LEVA COMPL.	1				L
3	664-44147-00	.BOOT, SHIFT ROD .HULE DE VARILLA	1				
4	689-44176-01	BRACKET SOPORTE	1				
5	97780-50110	SCREW, TAPPING TORNILLO ROSCA HEMBRA	1				
6	689-45311-04-4D	CASING, LOWER FUNDA INFERIOR	1				
7	93315-017U4	BEARING COJINETE	1				
8	689-45536-00	SLEEVE, DRIVE SHAFT CAMISA EJE DE MANDO	1				
9	664-45587-01-10	SHIM (T:0.10MM) LAINA (T:0.10MM)	1				UR
	664-45587-01-12	SHIM (T:0.12MM) LAINA (T:0.12MM)	1				UR
	664-45587-01-15	SHIM (T:0.15MM) LAINA (T:0.15MM)	1				UR
	664-45587-01-18	SHIM (T:0.18MM) LAINA (T:0.18MM)	1				UR
	664-45587-01-30	SHIM (T:0.30MM) LAINA (T:0.30MM)	1				UR
	664-45587-01-40	SHIM (T:0.40MM) LAINA (T:0.40MM)	1				UR
	664-45587-01-50	SHIM (T:0.50MM) LAINA (T:0.50MM)	1				UR
10	93332-000U4	BEARING COJINETE	1				
11	664-45567-01-10	SHIM (T:0.10MM) LAINA (T:0.10MM)	1				UR
	664-45567-01-12	SHIM (T:0.12MM) LAINA (T:0.12MM)	1				UR
	664-45567-01-15	SHIM (T:0.15MM) LAINA (T:0.15MM)	1				UR
	664-45567-01-18	SHIM (T:0.18MM) LAINA (T:0.18MM)	1				UR
	664-45567-01-30	SHIM (T:0.30MM) LAINA (T:0.30MM)	1				UR
	664-45567-01-40	SHIM (T:0.40MM) LAINA (T:0.40MM)	1				UR
	664-45567-01-50	SHIM (T:0.50MM) LAINA (T:0.50MM)	1				UR
12	93332-00005	BEARING COJINETE	1				
13	90340-08002	PLUG, STRAIGHT SCREW TORNILLO, DE DRENAJE	3				

FIG. 15 LOWER CASING, DRIVE 1

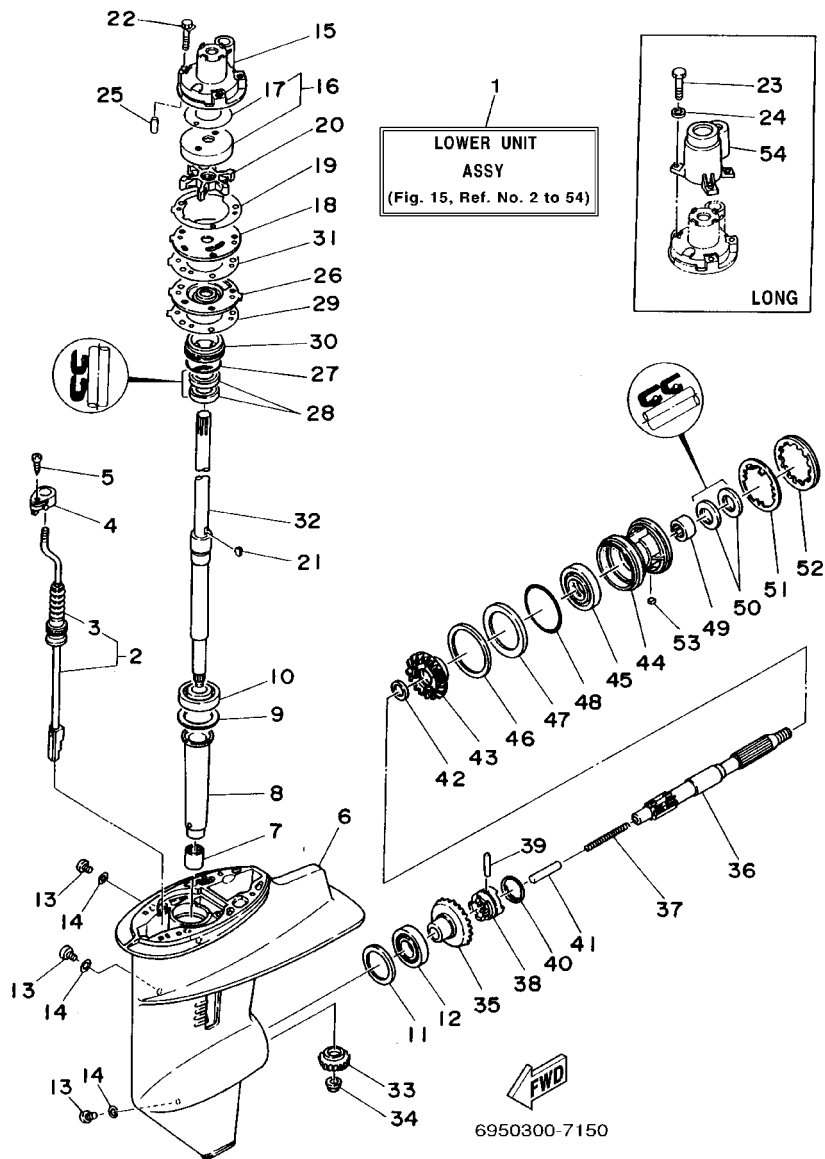
IMPULSOR E INFERIOR 1



REF. NO.	PART NO. CODIGO NO.	DESCRIPTION DESCRIPTION	20C				REMARKS OBSERVACION
14	90430-08020	GASKET JUNTA	3				
15	689-44311-03	HOUSING, WATER PUMP CAJA BOMBA DE AGUA	1				
16	689-W4432-02	INSERT CARTRIDGE COMPL. CARTUCHO DE INSERCIÓN COMPL.	1				
	689-W4432-61	INSERT CARTRIDGE COMPL. CARTUCHO DE INSERCIÓN COMPL.	1				FOR CHROMATE
17	689-44367-01	.DAMPER, WATER SEAL .GOMA DEL SELLO DE AGUA	1				
18	689-44323-03	OUTER PLATE, CARTRIDGE PLACA EXTERIOR DEL CARTUCHO	1				
	689-44323-43	OUTER PLATE, CARTRIDGE PLACA EXTERIOR DEL CARTUCHO	1				FOR CHROMATE
19	689-44324-A0	GASKET, CARTRIDGE EMPAQUE	1				
20	689-44352-02	IMPELLER IMPULSOR	1				
21	664-44338-00	KEY, WOODRUFF CUNA WOODRUFF	1				
22	90119-06M07	BOLT, WITH WASHER TORNILLO CON ARANDELA	3				S
23	97095-06035	BOLT PERNO	3				L
24	92995-06600	WASHER ARANDELA	3				L
25	93604-10M03	PIN, DOWEL PASADOR DE CLAVIJA	2				
26	689-44325-02-5B	PROTECTOR, OIL SEAL PROTECTOR SELLO ACEITE	1				
27	93210-40M10	O-RING ANILLO O	1				
28	93101-22067	OIL SEAL SELLO ACEITE	2				
29	689-44315-A0	GASKET, WATER PUMP EMPAQUE	1				
30	689-45344-00-94	COVER, OIL SEAL CUBIERTA SELLO ACEITE	1				
31	689-44316-A0	GASKET, WATER PUMP EMPAQUE	1				
32	689-45501-00	DRIVE SHAFT COMPL. EJE DE MANDO COMPL.	1				S
	689-45501-10	DRIVE SHAFT COMPL. EJE DE MANDO COMPL.	1				L
33	689-45551-00	PINION PINON	1				
34	90179-09M02	NUT TUERCA	1				
35	689-45560-00	GEAR ENGRANE COMPLE 1	1				
36	689-45611-01	SHAFT, PROPELLER EJE PROPUSOR	1				
37	90501-10065	SPRING, COMPRESSION RESORTE DE COMPRESION	1				

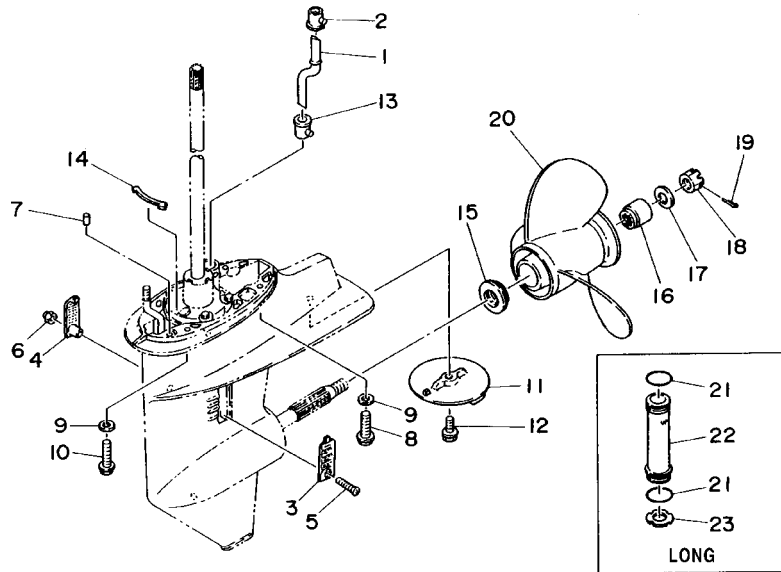
FIG. 15 LOWER CASING, DRIVE 1

IMPULSOR E INFERIOR 1



REF. NO.	PART NO. CODIGO NO.	DESCRIPTION DESCRIPTION	20C				REMARKS OBSERVACION
38	664-45631-02	CLUTCH, DOG EMBRAGUE DE GARRA	1				
39	90250-05010	PIN, STRAIGHT PASADOR CILINDRICO	1				
40	648-45633-00	RING, CROSS PIN ANILLO DE PASADOR	1				
41	648-45635-00	PLUNGER, SHIFT EMBOLO DE CAMBIO	1				
42	90201-20417	WASHER, PLATE ARANDELA PLANA	1				
43	689-45571-00	GEAR ENGRANAJE	1				
44	689-45331-01-94	HOUSING, BEARING CAJA DE COJINETE	1				
45	93306-00612	BEARING COJINETE	1				
46	664-45577-01-10	SHIM (T:0.10MM) LAINA (T:0.10MM)	1				UR
	664-45577-01-12	SHIM (T:0.12MM) LAINA (T:0.12MM)	1				UR
	664-45577-01-15	SHIM (T:0.15MM) LAINA (T:0.15MM)	1				UR
	664-45577-01-18	SHIM (T:0.18MM) LAINA (T:0.18MM)	1				UR
	664-45577-01-30	SHIM (T:0.30MM) LAINA (T:0.30MM)	1				UR
	664-45577-01-40	SHIM (T:0.40MM) LAINA (T:0.40MM)	1				UR
	664-45577-01-50	SHIM (T:0.50MM) LAINA (T:0.50MM)	1				UR
47	664-45576-00	WASHER, THRUST ARANDELA DE EMPUJE AXIAL	1				
48	93210-60MA3	O-RING ANILLO O	1				
49	93315-22004	BEARING COJINETE	1				
50	93101-20M07	OIL SEAL SELLO ACEITE	2				
51	90214-45M02	WASHER, CLAW ARANDELA DE POSICION	1				
52	664-45384-02	NUT TUERCA	1				
53	90282-04010	KEY, STRAIGHT CHAVETA, RECTA	1				
54	689-44312-00-5B	COVER, WATER PUMP HOUSING CUBIERTA CAJA BOMBA DE AGUA	1				L

FIG. 16 LOWER CASING, DRIVE 2 IMPULSOR E INFERIOR 2



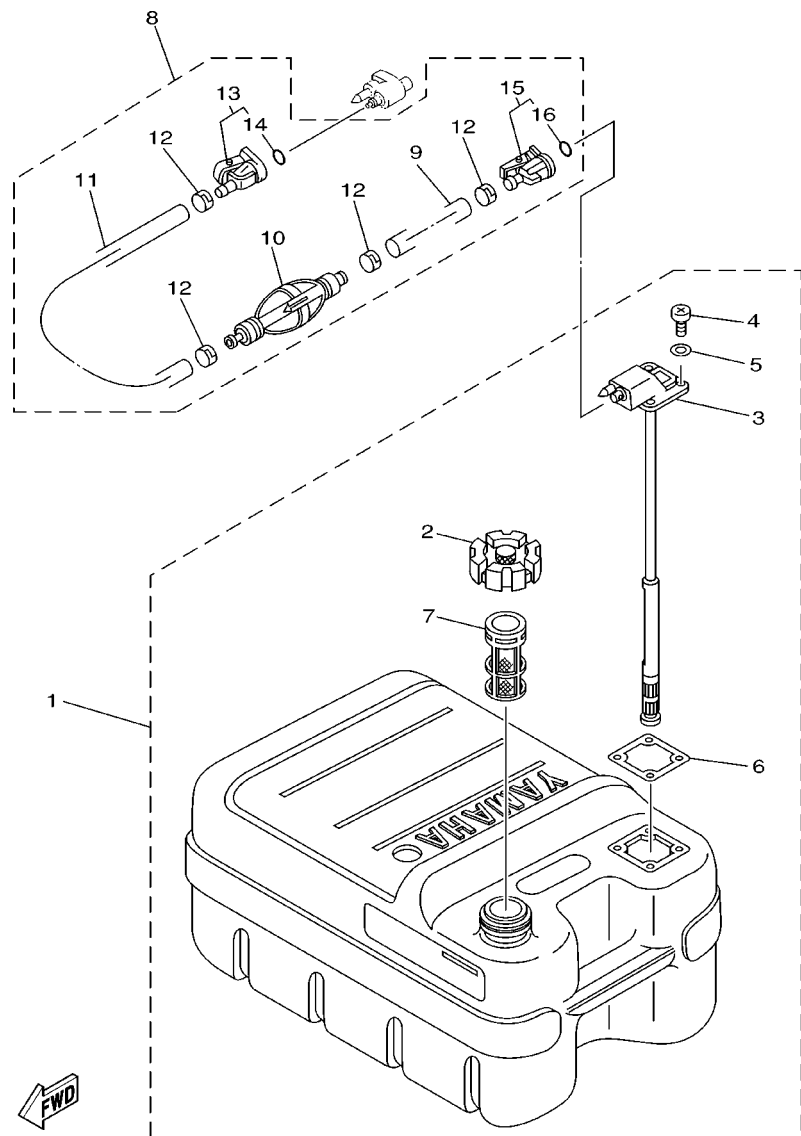
REF. NO.	PART NO. CODIGO NO.	DESCRIPTION DESCRIPTION	20C				REMARKS OBSERVACION
1	664-44361-00	TUBE, WATER TUBO DE AGUA	1				S
	689-44361-10	TUBE, WATER TUBO DE AGUA	1				L
2	689-44366-00	DAMPER, WATER SEAL GOMA DEL SELLO DE AGUA	1				
3	689-45214-01	COVER, WATER INLET CUBIERTA ENTRADA AGUA	1				
4	689-45215-01	COVER, WATER INLET CUBIERTA ENTRADA AGUA	1				
5	90152-05M04	SCREW, COUNTERSUNK TORNILLO EMBUTIDO	1				
6	90185-05002	NUT, SELF-LOCKING TUERCA AUTOBLOCANTE	1				
7	93606-11M24	PIN, DOWEL PASADOR DE CLAVIJA	2				
8	90105-10059	BOLT, FLANGE TORNILLO	2				
9	92995-10600	WASHER ARANDELA	4				
10	90105-10M12	BOLT, FLANGE TORNILLO	2				
11	664-45371-01	TAB-TRIM QUILLA ESTABILIZADOR	1				
12	90105-08M02	BOLT, FLANGE TORNILLO	1				
13	626-44365-01	DAMPER, WATER SEAL HULE DE SELLO DE AGUA	1				
14	689-44314-00	SPACER ESPACIADOR	1				
15	664-45987-01	SPACER ESPACIADOR	1				
16	689-45997-00	SPACER ESPACIADOR	1				
17	92990-14200	WASHER, PLAIN ARANDELA	1				
18	90171-14013	NUT, CASTLE TUERCA ENTALLADA	1				
19	91490-30022	PIN, COTTER PASADOR DE CHAVETA	1				
20	664-45941-01-EL	PROPELLER (3X9-7/8"X9"-F) PROPELA (3X9-7/8"X9"-F)	1				UR
	664-45943-01-EL	PROPELLER (3X9-7/8"X8"-F) PROPELA (3X9-7/8"X8"-F)	1				UR
	664-45945-00-EL	PROPELLER (3X9-7/8"X10-1/2"-F) PROPELA (3X9-7/8"X10-1/2"-F)	1				UR
	664-45947-01-EL	PROPELLER (3X9-7/8"X11-1/4"-F) PROPELA (3X9-7/8"X11-1/4"-F)	1				UR
	664-45949-02-EL	PROPELLER (3X9-7/8"X13"-F) PROPELA (3X9-7/8"X13"-F)	1				UR
	664-45952-00-EL	PROPELLER (3X9-7/8"X14"-F) PROPELA (3X9-7/8"X14"-F)	1				UR
21	93210-26130	O-RING ANILLO O	2				L



6950300-4160

FIG. 17 FUEL TANK

DEPOSITO DE COMBUSTIBLE

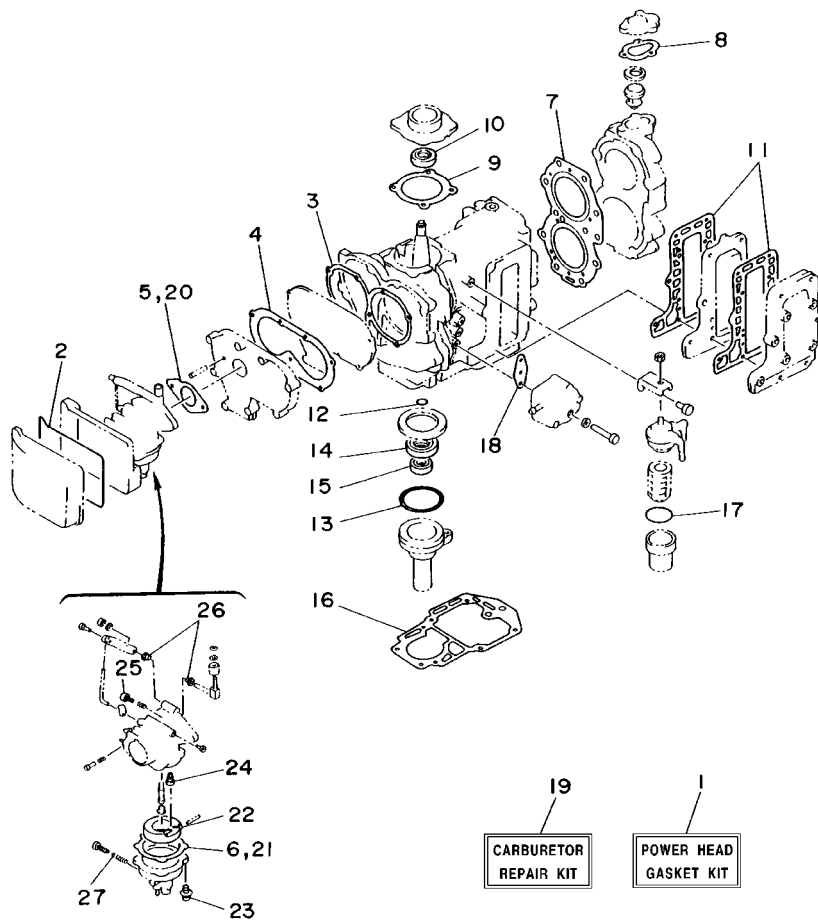


66T0100-9240

REF. NO.	PART NO. CODIGO NO.	DESCRIPTION DESCRIPTION	20C				REMARKS OBSERVACION
1	6YJ-24201-00	FUEL TANK ASSY (24L) TANQUE DEL COMBUSTIBLE (24L)	1				AP
	6YJ-24201-10	FUEL TANK ASSY (24L) TANQUE DEL COMBUSTIBLE (24L)	1				AP FOR CHINA WITH INDICATOR
2	6YJ-24610-01	.CAP ASSY .TAPA COMPLETA	1				
3	6YJ-24260-00	.FUEL METER ASSY .MEDIDOR DE COMBUSTIBLE COMPL.	1				
	6Y1-24260-12	.FUEL METER ASSY .MEDIDOR DE COMBUSTIBLE COMPL.	1				FOR CHINA WITH INDICATOR
4	98586-05016	.SCREW, PAN HEAD .TORNILLO DE CABEZA CON PLANA	4				
5	6Y1-24329-00	.SEAL .SELLO	4				
6	6Y1-24268-00	.GASKET, FUEL METER .EMPAQ MEDIDOR DE COMBUSTIBLE	1				
7	6YJ-24167-00	.STRAINER .COLADOR	1				
8	61J-24306-02	FUEL PIPE COMP. 1 TUBO COMBUST. COMPL 1	1				AP
9	90445-11M06	.HOSE (L2050) .MANGUERA (L2050)	1				
10	61J-24360-00	.PRIMER PUMP ASSY .SOPORTE BOMBA	1				
11	90445-11M05	.HOSE (L:850MM) .MANGUERA (L:850MM)	1				
12	650-24351-51	BAND 1 .ABRAZADERA 1	4				
13	6G1-24305-03	FUEL PIPE JOINT COMP. 2 CONECTOR MANGUERA COMBUST.2	1				
14	93210-08287	.O-RING .ANILLO O	1				
15	6Y1-24305-04	FUEL PIPE JOINT COMP. 2 CONECTOR MANGUERA COMBUST.2	1				
16	93210-08287	.O-RING .ANILLO O	1				

FIG. 18 REPAIR KIT 1

ESTUCHE REPARATION 1

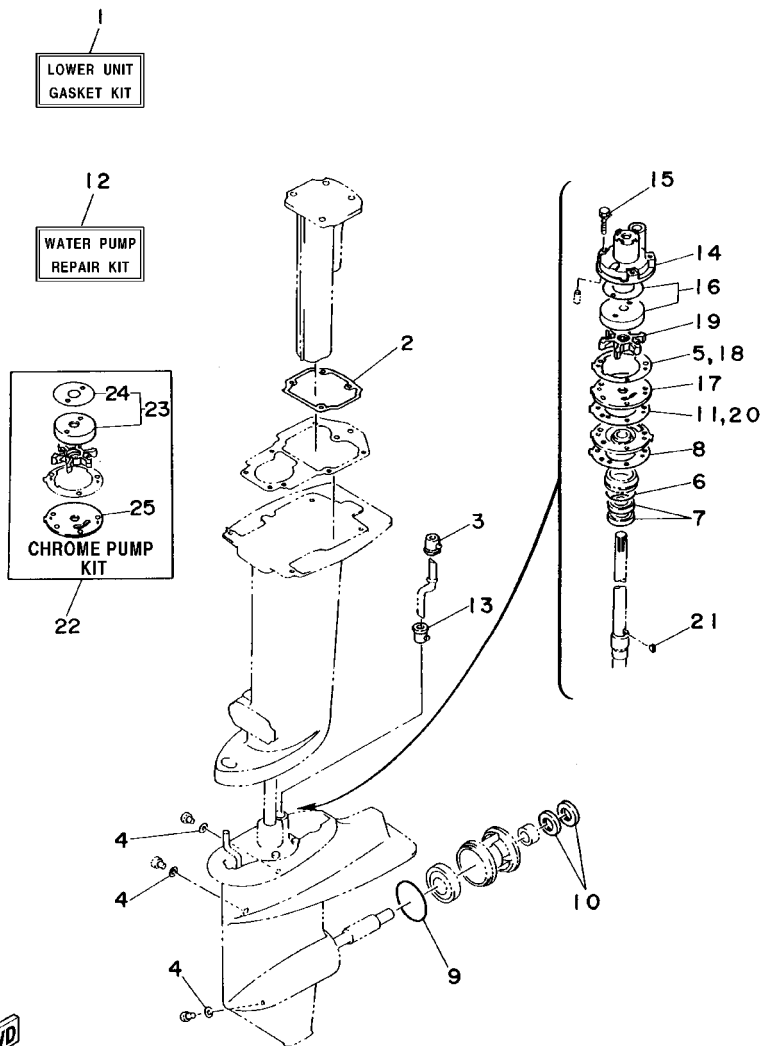


REF. NO.	PART NO. CODIGO NO.	DESCRIPTION DESCRIPTION	20C				REMARKS OBSERVACION
1	695-W0001-03	POWER HEAD GASKET KIT JUEGO DE EMPAQUE	1				
2	695-14476-00	.SEAL .SELLO	1				
3	648-13621-A1	.GASKET, VALVE SEAT JUNTA, DE VALV.DE EMPAQUE	1				
4	648-13645-A0	.GASKET, MANIFOLD 1 EMPAQUE	1				
5	648-14198-A0	.GASKET EMPAQUE	1				
6	648-14384-01	.GASKET, FLOAT CHAMBER EMPAQUE DE CAMARA DE BOIA	1				
7	695-11181-A1	.GASKET, CYLINDER HEAD 1 JUNTA, DE CULATA 1	1				
8	655-12414-A1	.GASKET, COVER EMPAQUE	1				
9	664-15369-A0	.GASKET, OIL SEAL HOUSING EMPAQ CAJA SELLO ACEITE	1				
10	93102-23096	.OIL SEAL SELLO ACEITE	1				
11	664-41114-A0	.GASKET, EXHAUST OUTER COVER EMPAQUE	2				
12	93210-16275	.O-RING .ANILLO O	1				
13	93210-58M21	.O-RING .ANILLO O	1				
14	93101-25M35	.OIL SEAL SELLO ACEITE	1				
15	93101-16M36	.OIL SEAL SELLO ACEITE	1				
16	689-45113-A1	.GASKET, UPPER CASING EMPAQUE	1				
17	93210-32738	.O-RING .ANILLO O	1				
18	650-24431-A0	.GASKET, FUEL PUMP 1 EMPAQUE BOMBA COMBUST 1	1				
19	689-W0093-02	CARBURETOR REPAIR KIT KIT REPARACION CARBURADOR	1				
20	648-14198-A0	.GASKET EMPAQUE	1				
21	648-14384-01	.GASKET, FLOAT CHAMBER EMPAQUE DE CAMARA DE BOIA	1				
22	648-14385-00	.FLOAT .BOIA	1				
23	97980-04112	.SCREW, WITH WASHER .TORNILLO, CON ARANDELA	4				
24	6J0-14390-14	.NEEDLE VALVE ASSY .VALVULA DE AGUJA COMPLETA	1				
25	647-14323-00	.SCREW, AIR ADJUSTING .TORNILLO DE AJUSTE DE AIRE	1				
26	90386-05002	.BUSH .BUJE	2				
27	646-14397-00	.O-RING .ANILLO EN O	1				

6A90300-4180

FIG. 19 REPAIR KIT 2

ESTUCHE REPARATION 2



6950300-4190

REF. NO.	PART NO. CODIGO NO.	DESCRIPTION DESCRIPTION	20C				REMARKS OBSERVACION
1	689-W0001-23	LOWER UNIT GASKET KIT JUEGO DE JUNTAS UNIDAD INFE.	1				
2	664-41134-A0	.GASKET, EXHAUST MANIFOLD .EMPAQUE	1				
3	689-44366-00	.DAMPER, WATER SEAL .GOMA DEL SELLO DE AGUA	1				
4	90430-08020	.GASKET JUNTA	3				
5	689-44324-A0	.GASKET, CARTRIDGE .EMPAQUE	1				
6	93210-40M10	.O-RING .ANILLO O	1				
7	93101-22067	.OIL SEAL .SELLO ACEITE	2				
8	689-44315-A0	.GASKET, WATER PUMP .EMPAQUE	1				
9	93210-60MA3	.O-RING .ANILLO O	1				
10	93101-20M07	.OIL SEAL .SELLO ACEITE	2				
11	689-44316-A0	.GASKET, WATER PUMP .EMPAQUE	1				
12	689-W0078-A6	WATER PUMP REPAIR KIT ESTUCHE REPARACION BOMBA AGUA	1				
13	626-44365-01	.DAMPER, WATER SEAL .HULE DE SELLO DE AGUA	1				
14	689-44311-03	.HOUSING, WATER PUMP .CAJA BOMBA DE AGUA	1				
15	90119-06M07	BOLT, WITH WASHER TORNILLO CON ARANDELA	3				
16	689-W4432-02	.INSERT CARTRIDGE COMP. .CARTUCHO DE INSERCIÓN COMPL.	1				
17	689-44323-03	.OUTER PLATE, CARTRIDGE .PLACA EXTERIOR DEL CARTUCHO	1				
18	689-44324-A0	.GASKET, CARTRIDGE .EMPAQUE	1				
19	689-44352-02	.IMPELLER .IMPULSOR	1				
20	689-44316-A0	.GASKET, WATER PUMP .EMPAQUE	1				
21	664-44338-00	.KEY, WOODRUFF .CUNA WOODRUFF	1				
22	689-W0078-3A	CHROME PUMP KIT ESTUCHE REPARACION BOMBA AGUA	1				
23	689-W4432-61	.INSERT CARTRIDGE COMP. .CARTUCHO DE INSERCIÓN COMPL.	1				
24	689-44367-01	.DAMPER, WATER SEAL .GOMA DEL SELLO DE AGUA	1				
25	689-44323-43	.OUTER PLATE, CARTRIDGE .PLACA EXTERIOR DEL CARTUCHO	1				

NUMERICAL INDEX
INDICE NUMERICO

PART NO. CODIGO NO.	REF. NO.	PART NO. CODIGO NO.	REF. NO.	PART NO. CODIGO NO.	REF. NO.	PART NO. CODIGO NO.	REF. NO.	PART NO. CODIGO NO.	REF. NO.	PART NO. CODIGO NO.	REF. NO.
689-W0001-23	19 - 1	646-14212-01	4 - 23	656-15772-00-94	6 - 31	689-41216-00	4 - 28	664-42791-00	9 - 21	689-44316-A0	15 - 31
695-W0001-03	18 - 1	646-14223-01	4 - 36	676-15773-00	6 - 22	664-41231-00	4 - 32	664-42791-10	9 - 21		
689-W0004-00	4 - 2	6A9-14301-01	4 - 11	656-15774-00	6 - 41	662-41237-01	11 - 10	660-42796-00	9 - 4		
695-W0070-12	1 - 11	664-14321-01	4 - 21	6F5-15779-02	6 - 23			689-42815-00	9 - 9	689-44323-03	15 - 18
689-W0078-A6	19 - 12	647-14323-00	4 - 22	689-15789-00	6 - 8	656-41241-00	4 - 26	689-42816-00	9 - 12		
689-W0078-3A	19 - 22		18 - 25	676-15799-01	6 - 17	689-41252-01	4 - 49	689-43111-03-4D	12 - 1	689-44323-43	15 - 18
6A9-W0084-12-4D	10 - 1	6A0-14325-00	5 - 25	6YJ-24167-00	17 - 7	695-41256-00	4 - 51	689-43112-02-4D	12 - 2		
6A9-W0090-04-1S	2 - 1	650-14327-01	4 - 25	6YJ-24201-00	17 - 1	661-41262-02	4 - 27	6J8-43113-01	12 - 9	689-44324-A0	15 - 19
689-W0093-02	18 - 19	6A9-14341-00	4 - 17	6YJ-24201-10	17 - 1			648-43114-01	12 - 6		
656-W2810-02	5 - 32	648-14342-31	4 - 20	6YJ-24260-00	17 - 3	682-41271-00	4 - 47	6E0-43118-01	12 - 3		
689-W4432-02	15 - 16	689-14343-66	4 - 18	6Y1-24260-12	17 - 3	689-41273-00	4 - 48	6J8-43131-01	12 - 7	689-44325-02-5B	15 - 26
	19 - 16	664-14381-02	4 - 12	6Y1-24268-00	17 - 6	695-41611-00-94	11 - 43	6G5-43145-01	12 - 11	689-44328-03	16 - 23
689-W4432-61	15 - 16	648-14384-01	4 - 13	6G1-24304-02	5 - 1	695-41612-00	11 - 41	689-43160-00	12 - 22	664-44338-00	15 - 21
	19 - 23		18 - 6	6G1-24305-03	17 - 13	695-41613-00	11 - 42	689-43165-00	12 - 23		
6A9-11111-00-1S	2 - 18		18 - 21	6Y1-24305-04	17 - 15	6A9-41615-01	7 - 17	689-43191-00	12 - 13	689-44352-02	15 - 20
695-11181-A1	2 - 19	648-14385-00	4 - 14	61J-24306-02	17 - 8	695-41616-00	2 - 33	689-43192-01	12 - 14		
	18 - 7		18 - 22	664-24311-00	5 - 13	664-41631-00-94	11 - 1	689-43311-03-4D	12 - 26	664-44361-00	16 - 1
689-11325-00	2 - 16	689-14386-00	4 - 15	648-24312-01	5 - 30	648-41635-00	11 - 7	682-43318-01	12 - 43	689-44361-10	16 - 1
650-11370-00	2 - 5	6J0-14390-14	4 - 19	6Y1-24329-00	17 - 5	664-41636-00	11 - 6	689-43373-01	13 - 2	689-44362-00-94	16 - 22
624-11379-00	2 - 4		18 - 24	650-24351-51	17 - 12	689-42111-01-4D	10 - 2	689-43614-01	12 - 37	626-44365-01	16 - 13
695-11400-00	3 - 1	646-14394-00	4 - 35	61J-24360-00	17 - 10	69P-42112-00-4D	10 - 7	648-43615-00	12 - 38		
695-11412-00	3 - 2	646-14397-00	4 - 37	692-24410-00	5 - 15	664-42119-00	10 - 12	689-43616-00	12 - 32	689-44366-00	16 - 2
6G0-11422-00	3 - 3		18 - 27	663-24411-00	5 - 20	656-42126-01	10 - 23	648-43617-00	12 - 35		
6G0-11432-00	3 - 4	695-14417-00	4 - 41	692-24411-00	5 - 17	6A9-42137-01	10 - 14	689-43631-00	12 - 29	689-44367-01	15 - 17
695-11442-00	3 - 5	695-14418-01	4 - 42	6A0-24412-02	5 - 26	689-42138-00	10 - 17	689-43633-00	12 - 30		
656-11515-00	3 - 13	695-14476-00	4 - 46	6A0-24413-00	5 - 16	656-42153-00-94	11 - 15	648-43642-00	12 - 33	664-44514-00-94	13 - 32
656-11610-02	3 - 23		18 - 2	6A0-24421-01	5 - 24	6A9-42154-00-94	11 - 14	689-43643-00	12 - 31	689-44516-00	13 - 26
656-11610-12	3 - 23	624-14485-00	2 - 3	650-24431-A0	5 - 27	6F6-42177-A0	10 - 13	689-43681-01	12 - 44	648-44518-01-94	13 - 14
656-11610-22	3 - 23	664-14497-00	11 - 4		18 - 18	69P-42511-00-4D	13 - 10	689-44111-01-4D	11 - 18	648-44519-00-94	13 - 22
664-11631-00-97	3 - 22	6A9-15100-01-1S	2 - 2	648-24434-01	5 - 18	689-42521-00-94	13 - 4	664-44113-01	11 - 19	689-44551-01-4D	13 - 43
648-11633-00	3 - 25	664-15359-01-94	2 - 8	648-24435-02	5 - 21	647-42523-00	9 - 16	689-44121-01	11 - 30	689-44552-01-4D	13 - 44
664-11635-00	3 - 22	664-15369-A0	2 - 10	61N-24521-00	5 - 8	648-42528-00	13 - 1	689-44125-00	11 - 32	689-44553-00-94	13 - 39
664-11636-00	3 - 22		18 - 9	61N-24560-00	5 - 6	624-42542-00	8 - 5	664-44142-00	11 - 20	689-44555-00	13 - 42
648-11651-04	3 - 6	689-15396-01-1S	3 - 16	61N-24563-00	5 - 7	6A9-42610-30-4D	1 - 1	6G0-44143-00	11 - 35	689-44557-00	13 - 38
648-11681-00	3 - 7	676-15705-00	6 - 21	648-24566-02	5 - 10	689-42613-01-4D	1 - 2	648-44146-00	11 - 39	648-44591-A0	13 - 31
6F5-12411-02	2 - 21	689-15710-04	6 - 1	6YJ-24610-01	17 - 2	6G0-42615-00	1 - 6	664-44147-00	15 - 3		
655-12413-01-1S	2 - 23	676-15711-01-94	6 - 2	689-26311-03	10 - 21	689-42647-00	1 - 7	695-44150-00	15 - 2	664-44591-A0	13 - 37
655-12414-A1	2 - 24	676-15714-00-94	6 - 11	664-41111-00	2 - 28	6G0-42651-02	1 - 9	695-44150-10	15 - 2	689-45111-04-4D	14 - 1
	18 - 8	676-15717-00	6 - 13	664-41113-00-1S	2 - 27	6A9-42677-30	11 - 12	664-44167-00	11 - 27	689-45111-13-4D	14 - 1
689-13610-01	4 - 1	676-15741-03	6 - 19	664-41114-A0	2 - 26	6A9-42678-11	1 - 13	689-44176-01	15 - 4	689-45113-A1	2 - 32
648-13621-A1	4 - 5	656-15748-00	6 - 39		18 - 11	695-42681-11	1 - 14	6E0-44191-11	1 - 16		
	18 - 3	656-15749-00	6 - 43	664-41131-01-94	14 - 7	695-42682-12	1 - 15	695-44194-00	7 - 18	663-45119-00	12 - 17
648-13641-02-1S	4 - 3	689-15755-01	6 - 9	664-41133-00	14 - 8	689-42711-04-4D	9 - 1	689-44311-03	15 - 15		
648-13645-A0	4 - 6	689-15758-02-94	6 - 4	664-41134-A0	14 - 11	664-42715-00	11 - 26		19 - 14		
	18 - 4	689-15761-00	1 - 5		19 - 2	689-42716-00	13 - 17	689-44312-00-5B	15 - 54	689-45127-00	14 - 6
648-14198-A0	4 - 38	689-15762-01	6 - 7	664-41135-00	14 - 9	689-42718-00	13 - 21	689-44314-00	16 - 14	689-45214-01	16 - 3
	18 - 5	656-15770-00	6 - 36	648-41210-01	4 - 24	682-42724-00	9 - 14	689-44315-A0	15 - 29	689-45215-01	16 - 4
	18 - 20	6H7-15771-01-94	6 - 30	6A9-41213-00-94	7 - 23	689-42725-01	9 - 15		19 - 8	689-45300-06-4D	15 - 1

NUMERICAL INDEX
INDICE NUMERICO

PART NO. CODIGO NO.	REF. NO.	PART NO. CODIGO NO.	REF. NO.	PART NO. CODIGO NO.	REF. NO.	PART NO. CODIGO NO.	REF. NO.	PART NO. CODIGO NO.	REF. NO.	PART NO. CODIGO NO.	REF. NO.
689-45300-16-4D	15 - 1	695-81303-40	7 - 8	90152-05M04	16 - 5	90386-05002	4 - 29	91490-16010	11 - 24	92995-06600	13 - 28
689-45311-04-4D	15 - 6	689-81332-01	6 - 51	90159-04035	7 - 10		18 - 26		12 - 40		15 - 24
689-45331-01-94	15 - 44	648-81362-00	7 - 11	90159-04036	7 - 10	90386-08032	10 - 20	91490-20010	11 - 38	92995-08600	6 - 25
689-45344-00-94	15 - 30	6A0-82317-00	8 - 4	90159-05038	7 - 7	90386-10009	11 - 16	91490-30022	16 - 19		9 - 6
664-45371-01	16 - 11	663-82370-01	8 - 22	90159-05039	7 - 6	90386-12069	9 - 11	91490-30025	14 - 10		12 - 20
61N-45375-00	14 - 2	689-82519-00	8 - 9		7 - 9	90386-22M67	12 - 8	91690-30008	12 - 24		13 - 41
664-45384-02	15 - 52	682-82556-00	9 - 18	90159-05040	7 - 9	90386-35M01	6 - 18	91690-30016	12 - 15		13 - 46
689-45501-00	15 - 32	689-8257Y-00	9 - 19	90170-07021	11 - 40	90386-38022	13 - 7	91690-40016	11 - 33		14 - 5
689-45501-10	15 - 32	689-82575-04	9 - 17	90170-10M42	13 - 29	90386-38090	13 - 9	91690-40018	11 - 17	92995-10600	16 - 9
689-45536-00	15 - 8	695-85520-70	7 - 4		13 - 35	90386-47M22	13 - 6	91690-40020	6 - 3	93101-16M36	3 - 18
689-45551-00	15 - 33	695-85540-11	8 - 12	90170-12066	7 - 15	90387-06M02	11 - 2	91690-40035	12 - 42		18 - 15
689-45560-00	15 - 35	695-85542-00-94	8 - 3	90171-14013	16 - 18	90387-06568	6 - 47	91690-40048	4 - 50	93101-20M07	15 - 50
664-45567-01-10	15 - 11	689-85547-00	8 - 2	90176-10M01	13 - 36	90387-08M03	12 - 19	92903-05600	6 - 49		19 - 10
664-45567-01-12	15 - 11	689-85548-01	8 - 15	90179-09M02	15 - 34	90387-08M25	9 - 3	92903-06100	2 - 12	93101-22067	15 - 28
664-45567-01-15	15 - 11	695-85550-70	7 - 1	90185-05002	16 - 6	90387-10M39	13 - 16	92903-06600	4 - 8		19 - 7
664-45567-01-18	15 - 11	695-85560-A0	7 - 2	90185-06062	10 - 25	90387-13003	10 - 3		4 - 10	93101-25M35	3 - 17
664-45567-01-30	15 - 11	695-85560-40	7 - 2	90185-22043	12 - 12	90387-33001	10 - 4		6 - 33		18 - 14
664-45567-01-40	15 - 11	695-85561-70	7 - 3	90201-05556	11 - 8	90430-08020	15 - 14		6 - 35	93102-23096	2 - 9
664-45567-01-50	15 - 11	680-85570-00	8 - 17	90201-08M87	9 - 8		19 - 4		6 - 45		18 - 10
689-45571-00	15 - 43	695-85580-70	7 - 5	90201-08309	6 - 14	90445-07260	2 - 13		7 - 20	93210-08287	17 - 14
664-45576-00	15 - 47	90101-08339	12 - 18	90201-12472	7 - 16	90445-09M25	5 - 4	92903-10600	10 - 18		17 - 16
664-45577-01-10	15 - 46	90105-06M07	11 - 21	90201-18522	3 - 27	90445-11M05	17 - 11	92990-05100	4 - 31	93210-16275	3 - 14
664-45577-01-12	15 - 46		13 - 12	90201-20417	15 - 42	90445-11M06	17 - 9		4 - 44		18 - 12
664-45577-01-15	15 - 46	90105-06M08	13 - 20	90201-21567	2 - 22	90461-06M01	7 - 21		5 - 23	93210-26130	16 - 21
664-45577-01-18	15 - 46	90105-06M18	13 - 3	90201-22M03	12 - 10	90461-06002	4 - 53	92990-05200	4 - 33	93210-32738	5 - 9
664-45577-01-30	15 - 46	90105-08M02	16 - 12	90201-28013	10 - 5	90464-12M00	8 - 16	92990-05600	4 - 45		18 - 17
664-45577-01-40	15 - 46	90105-10M12	16 - 10	90201-50306	3 - 15	90465-08M13	8 - 1		11 - 23	93210-37160	13 - 8
664-45577-01-50	15 - 46	90105-10059	16 - 8	90202-06007	11 - 22	90467-06016	2 - 14		11 - 37	93210-40M10	15 - 27
664-45587-01-10	15 - 9	90109-06M18	12 - 46		11 - 36	90467-08004	5 - 5	92990-06100	8 - 8		19 - 6
664-45587-01-12	15 - 9	90116-05220	11 - 12	90202-10024	11 - 34		5 - 14		8 - 11	93210-58M21	3 - 19
664-45587-01-15	15 - 9	90116-06M30	4 - 4	90206-05005	6 - 48		5 - 31	92990-06600	13 - 25		18 - 13
664-45587-01-18	15 - 9	90119-06MA2	2 - 25	90206-08010	6 - 46	90480-12156	10 - 22	92990-10200	13 - 30	93210-60MA3	15 - 48
664-45587-01-30	15 - 9	90119-06MA3	2 - 29	90206-12052	9 - 10	90480-15M06	9 - 2		13 - 34		19 - 9
664-45587-01-40	15 - 9	90119-06MA4	2 - 30	90206-28001	10 - 6	90480-17M08	9 - 20	92990-14200	16 - 17	93306-00612	15 - 45
664-45587-01-50	15 - 9	90119-06MA5	2 - 31	90209-22071	3 - 8	90480-25161	8 - 21	92995-05600	7 - 25	93306-305U3	3 - 10
689-45611-01	15 - 36	90119-06M07	15 - 22	90209-47016	13 - 5	90480-29045	13 - 13		11 - 45	93310-522W0	3 - 9
664-45631-02	15 - 38		19 - 15	90214-45M02	15 - 51	90501-09M08	11 - 29	92995-06600	1 - 4	93315-017U4	15 - 7
648-45633-00	15 - 40	90119-06M49	11 - 3	90240-05047	12 - 39	90501-10065	15 - 37		3 - 21	93315-22004	15 - 49
648-45635-00	15 - 41	90119-06M73	9 - 13	90243-04M01	12 - 4	90501-10227	6 - 40		4 - 40	93332-000U4	15 - 10
664-45941-01-EL	16 - 20	90119-06M88	8 - 6	90249-06M22	12 - 34	90501-14M07	11 - 28		5 - 3	93332-00005	15 - 12
664-45943-01-EL	16 - 20	90119-08M03	13 - 47	90250-05010	15 - 39	90501-23215	10 - 19		5 - 29	93390-00009	3 - 11
664-45945-00-EL	16 - 20	90119-08M66	2 - 7	90266-04M00	1 - 10	90502-10M07	12 - 25		6 - 6	93430-04031	4 - 34
664-45947-01-EL	16 - 20	90119-08009	2 - 6	90266-04M01	1 - 8	90506-16M17	12 - 45		6 - 28	93430-06M02	6 - 20
664-45949-02-EL	16 - 20	90119-08016	2 - 20	90269-02M09	10 - 15	90506-30M27	12 - 41		7 - 13	93440-62057	3 - 12
664-45952-00-EL	16 - 20	90123-06049	6 - 37	90280-05013	7 - 14	90508-14M13	11 - 31		8 - 14	93450-20026	3 - 26
664-45987-01	16 - 15	90149-05M13	10 - 16	90282-04010	15 - 53	90510-09M00	6 - 12		8 - 20	93602-20M02	3 - 24
689-45997-00	16 - 16	90149-14030	12 - 5	90340-08002	15 - 13	91490-12010	11 - 25		10 - 9	93604-10M03	15 - 25
695-81303-A0	7 - 8	90151-06M02	2 - 17	90381-12M01	13 - 15	91490-16010	6 - 50		10 - 11	93606-11M24	16 - 7

NUMERICAL INDEX
INDICE NUMERICO

PART NO. CODIGO NO.	REF. NO.	PART NO. CODIGO NO.	REF. NO.	PART NO. CODIGO NO.	REF. NO.	PART NO. CODIGO NO.	REF. NO.	PART NO. CODIGO NO.	REF. NO.
93606-12019	2 - 15	97095-06020	10 - 24						
	13 - 23		13 - 27						
	14 - 3	97095-06022	3 - 20						
93608-12063	13 - 11	97095-06025	8 - 13						
93700-06M03	12 - 16		8 - 19						
	12 - 27	97095-06030	6 - 27						
	13 - 18	97095-06035	15 - 23						
94702-00040	2 - 36	97095-06040	5 - 28						
94702-00272	2 - 36	97095-06050	10 - 8						
95303-08600	6 - 16	97095-08035	6 - 24						
95380-03600	5 - 19	97095-08065	13 - 45						
95380-05600	11 - 9	97780-50110	15 - 5						
	11 - 13	97880-05030	4 - 43						
95380-05700	4 - 30	97880-06016	14 - 12						
95380-06600	2 - 35	97885-05010	11 - 44						
	4 - 39	97980-04112	4 - 16						
	6 - 29		18 - 23						
	6 - 38	98503-05028	5 - 22						
	8 - 7	98586-05016	17 - 4						
95380-08600	5 - 12	99080-05600	12 - 36						
	12 - 21	99530-12016	6 - 26						
	13 - 48								
95380-08700	9 - 5								
	9 - 7								
97013-06012	7 - 19								
97013-06014	5 - 11								
97013-06020	2 - 11								
	2 - 34								
97013-06025	4 - 7								
	6 - 32								
97013-06035	4 - 9								
97013-06045	6 - 34								
97013-08025	6 - 15								
97075-08025	13 - 40								
97075-08030	14 - 4								
97090-06012	8 - 10								
97090-06016	8 - 18								
97090-06018	13 - 24								
97095-05012	7 - 24								
97095-06010	6 - 42								
	7 - 22								
97095-06012	1 - 3								
	7 - 12								
	11 - 5								
97095-06016	6 - 5								
97095-06020	5 - 2								
	6 - 44								
	10 - 10								

20CMH
PARTS CATALOGUE
©2001 by Yamaha Motor Co., Ltd.
1st Edition, Aug. 2001
All rights reserved.
Any reprinting or unauthorized use
without the written permission of
Yamaha Motor Co., Ltd.
is expressly prohibited.

20CMH
CATALOGO DE REPUESTOS
©2001, Yamaha Motor Co., Ltd.
1ª edición, Ag. 2001
Reservados todos los derechos.
Se prohíbe expresamente toda reimpresión
o utilización no autorizada de este manual
sin el consentimiento por escrito de
Yamaha Motor Co., Ltd.