

**PARTS
CATALOGUE
CATALOGUE
DE PIÈCES DÉTACHÉES**

F80A '02(67G1)

F100A '02(67F1)

YAMAHA
GENUINE
Parts & Accessories

2A67G-300F1

FOREWORD

This Parts Catalogue is related to the parts for the model(s) in the below frame. When you are ordering replacement parts, please refer to this Parts Catalogue and quote both part numbers and part names correctly.

F80A'02(67G1), F100A'02(67F1)

1. Modifications or additions which have been made after issue of the Parts Catalogue will be announced in the Yamaha Parts News. It is advisable that you make necessary corrections to the Parts Catalogue according to the Yamaha Parts News.

2. Abbreviations
The Following abbreviations are used in this Parts Catalogue.

“UR” Use specified parts number.

“UN” Use as many as needed.

“AP” Alternate Parts

“LM” Local Made
(Parts need to be ordered locally)

“O/S” Over Size

3. Parts, which are to be supplied in an assembly, are listed with a dot(.) in front of the part name as shown below.

EXAMPLE
CARBURETOR ASSY
.JET, PILOT
.NOZZLE, MAIN

4. Number of component for assembly
The numeral appearing to the right of each component part indicates the quantity of parts for each assembly unit.

EXAMPLE

| PART NO. | DESCRIPTION | □ | □ | □ | □ | □ | REMARKS |
|------------------|---------------------|---|---|---|---|---|---------|
| 6E0-85500-70 | C.D.I. MAGNETO ASSY | 1 | | | | | |
| 6E0-85550-70 | .ROTOR ASSY | 1 | | | | | |
| 6E0-15723-00-94. | .PULLY, STARTER | 1 | | | | | |

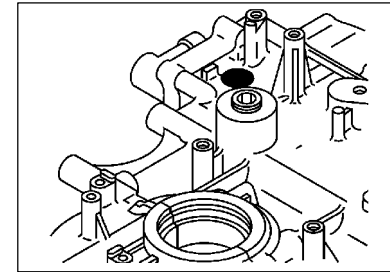
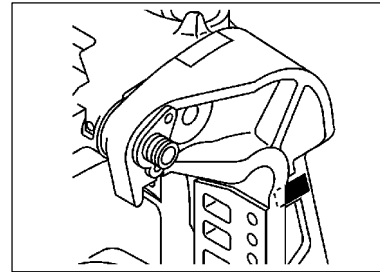
5. Quantity Column Information

| NAME for Q'TY COLUMN | APPLICABLE MODEL |
|----------------------|------------------|
| F80 | F80AET |
| F100 | F100AET |

6. Applicable Starting Serial No. and Color Code

1) Engine Starting Sserial No.

| | | | | | |
|--------|-----|------------|---------|-----|------------|
| F80AET | 67G | L : 307147 | F100AET | 67F | L : 314787 |
|--------|-----|------------|---------|-----|------------|



2) Color Code

| Color Code | Color Name | Abbreviation |
|------------|-----------------------------|--------------|
| 004D | DARK BLUISH GRAY METALLIC 2 | DBNM2 |

7. Note that the illustrations for reference in finding parts numbers, not to be used for assembling. When assembling, please use the applicable service manual.

8. The asterisk (*) before a reference number indicates modification items after the first edition.

CONTENTS

SHEET 1/2

TOP COWLING A4
 CYLINDER. CRANKCASE 1 A5
 CRANKSHAFT. PISTON A7
 CYLINDER. CRANKCASE 2 B1
 VALVE B3
 INTAKE B6
 CARBURETOR 1 B7
 CARBURETOR 2 C3
 CARBURETOR 3 C4
 FUEL 1 C5
 FUEL 2 C7
 GENERATOR D1
 ELECTRICAL 1 D2
 ELECTRICAL 2 D4
 ELECTRICAL 3 D6
 STARTING MOTOR E1
 BOTTOM COWLING E3
 STEERING 1 E5
 STEERING 2 F1
 STEERING FRICTION F3
 CONTROL F4
 BRACKET 1 F6

INDEX

NUMERICAL INDEX G1

SHEET 2/2

BRACKET 2 A4*
 OPTIONAL PARTS A6*
 POWER TRIM & TILT ASSY 1 A7*
 POWER TRIM & TILT ASSY 2 B4*
 UPPER CASING B5*
 OIL PAN B7*
 LOWER CASING. DRIVE 1 C1*
 LOWER CASING. DRIVE 2 C4*
 FUEL TANK C6*
 STEERING GUIDE C7*
 REMOTE CONTROL BOX D1*
 REMOTE CONTROL ASSY D2*
 METER D5*
 REPAIR KIT 1 D6*
 REPAIR KIT 2 D7*
 REPAIR KIT 3 E1*

INDEX

NUMERICAL INDEX G1*

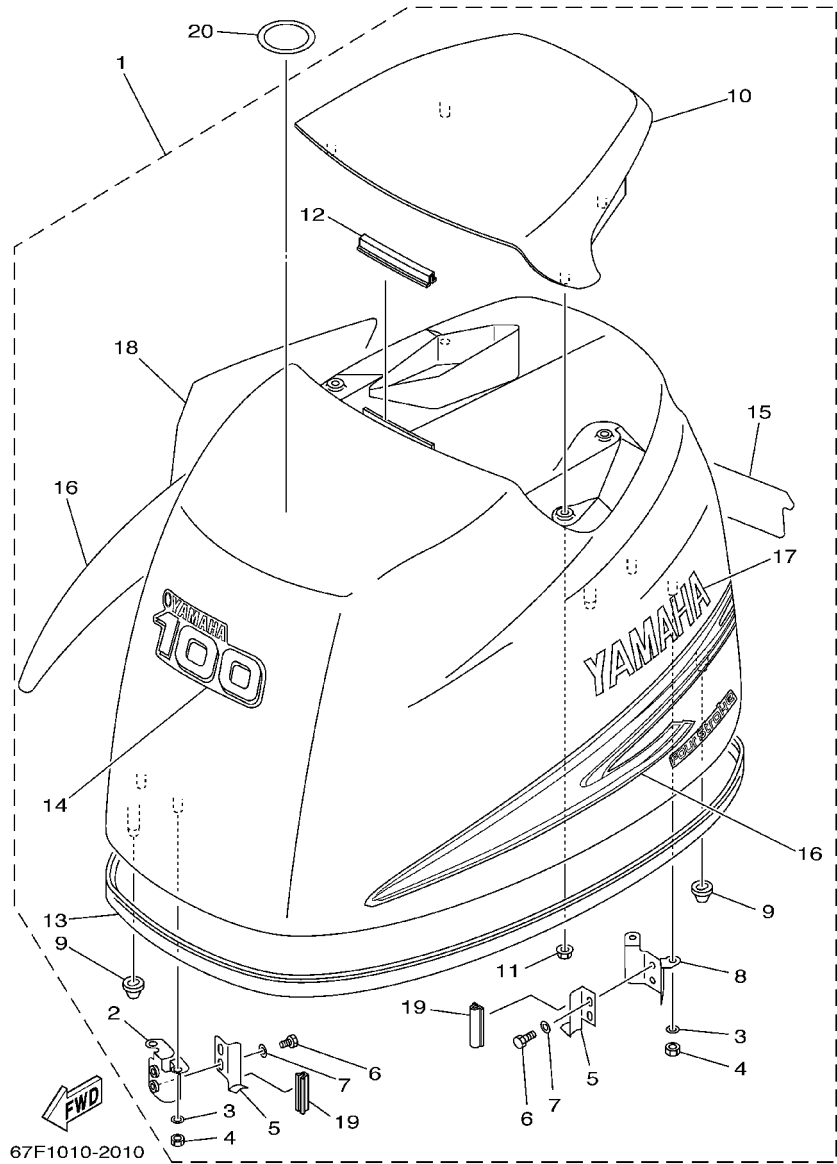


FIG. 1 TOP COWLING

CAPOT SUPERIEUR

| REF. NO. | PART NO. NO. PIECES | DESCRIPTION DESCRIPTION | F80 | F100 | REMARKS REMARQUES |
|----------|---------------------|--|-----|------|-------------------|
| 1 | 67F-42610-10-4D | TOP COWLING ASSY CAPOT (ENS.) | | 1 | |
| | 67G-42610-10-4D | TOP COWLING ASSY CAPOT (ENS.) | 1 | | |
| 2 | 67F-42647-00 | .HOLDER, CLAMP BAND .SUPPORT, SANDOW DE SERRAGE | 1 | 1 | |
| 3 | 92990-06100 | .WASHER, SPRING .RONDELLE, GROWER | 4 | 4 | |
| 4 | 95380-06600 | .NUT, HEXAGON ECROU | 4 | 4 | |
| 5 | 67F-42652-00 | .HOOK .CROCHET | 2 | 2 | |
| 6 | 97095-06012 | .BOLT .BOULON | 4 | 4 | |
| 7 | 92995-06600 | .WASHER .RONDELLE | 4 | 4 | |
| 8 | 67F-42649-00 | .HOLDER, CLAMP BAND .SUPPORT, SANDOW DE SERRAGE | 1 | 1 | |
| 9 | 67F-42662-00 | .DAMPER .AMORTISSEUR | 3 | 3 | |
| 10 | 67F-42613-00-4D | .MOLDING, AIR DUCT .MANCHON A AIR | 1 | 1 | |
| 11 | 90179-06M24 | .NUT .ECROU | 4 | 4 | |
| 12 | 61N-42628-00 | .SEAL .JOINT | 1 | 1 | |
| 13 | 67F-42615-00 | .SEAL .JOINT | 1 | 1 | |
| 14 | 67F-42677-10 | .GRAPHIC, FRONT ADHESIF, AVANT | | 1 | |
| | 67G-42677-10 | .GRAPHIC, FRONT ADHESIF, AVANT | 1 | | |
| 15 | 67F-42678-10 | .GRAPHIC, REAR ADHESIF, ARRIERE | | 1 | |
| | 67G-42678-10 | .GRAPHIC, REAR ADHESIF, ARRIERE | 1 | | |
| 16 | 67F-W0070-10 | .GRAPHIC SET JEU DIEMBLEMES | 1 | 1 | |
| 17 | 67F-42681-10 | .MARK, COWLING ADHESIF, CAPOT | 1 | 1 | |
| 18 | 67F-42682-10 | .MARK, COWLING ADHESIF, CAPOT | 1 | 1 | |
| 19 | 67F-42628-00 | .SEAL .JOINT | 2 | 2 | |
| 20 | 67F-13434-02 | LABEL, CAUTION ETIQUETTE, ATTENTION | 1 | 1 | |

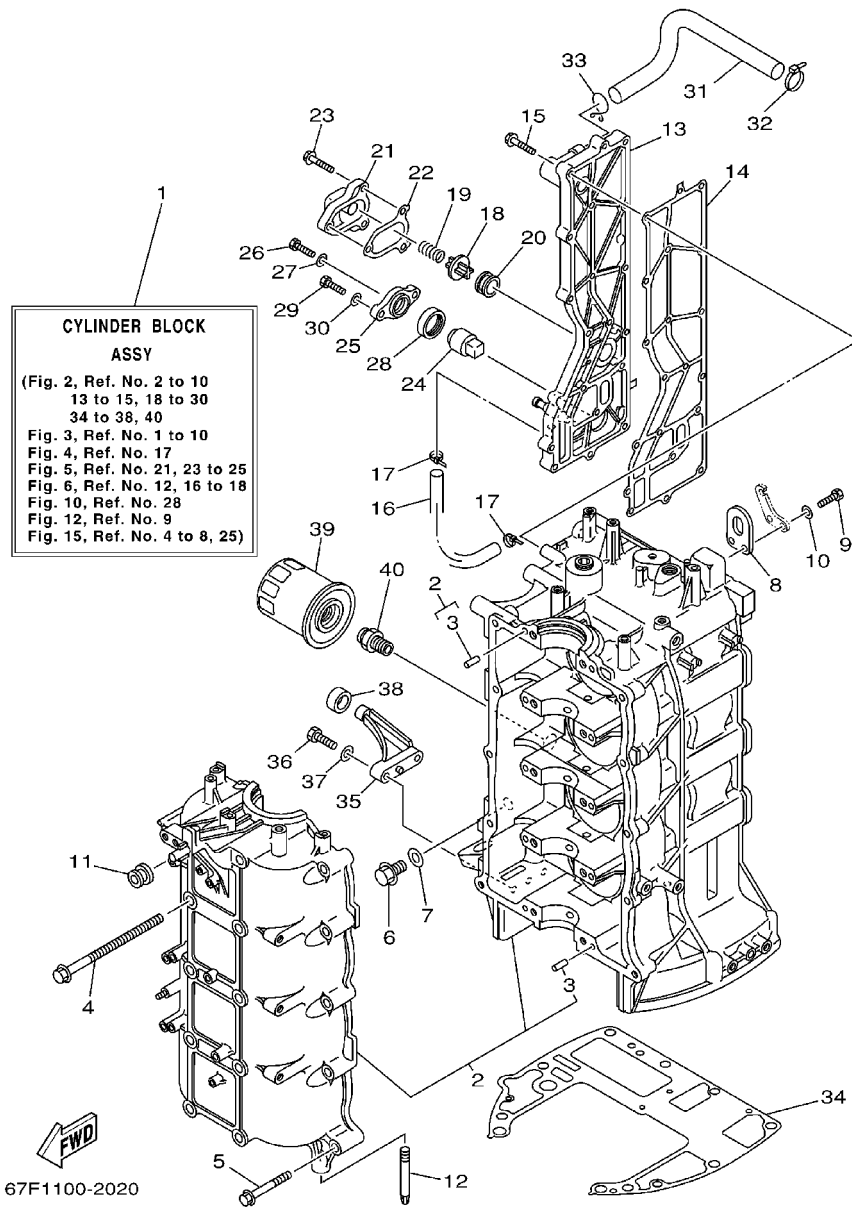


FIG. 2 CYLINDER. CRANKCASE 1 CYLINDRE. CARTER 1

| REF. NO. | PART NO. NO. PIECES | DESCRIPTION DESCRIPTION | F80 | F100 | REMARKS REMARQUES |
|----------|---------------------|---|-----|------|-------------------|
| | | | | | |
| 1 | 67F-W009B-04-1S | CYLINDER BLOCK ASSY CYLINDRE GROUPE (ENS.) | 1 | 1 | |
| 2 | 67F-15100-03-1S | CRANKCASE ASSY CARTER DE MOTEUR COMPLET | 1 | 1 | |
| 3 | 93606-12019 | .PIN, DOWEL .GOUJON | 10 | 10 | |
| 4 | 90119-10M88 | BOLT, WITH WASHER BOULON, AVEC RONDELLE | 10 | 10 | |
| 5 | 90119-08M66 | BOLT, WITH WASHER BOULON, AVEC RONDELLE | 10 | 10 | |
| 6 | 90340-14M06 | PLUG, STRAIGHT SCREW PLOT, FILETE DROIT | 1 | 1 | |
| 7 | 90430-14115 | GASKET JOINT | 1 | 1 | |
| 8 | 62Y-11119-00 | HANGER, ENGINE ANNEAU, LEVAGE | 2 | 2 | |
| 9 | 97095-06020 | BOLT BOULON | 4 | 4 | |
| 10 | 92995-06600 | WASHER RONDELLE | 4 | 4 | |
| 11 | 90480-12072 | GROMMET PASSE-FIL | 1 | 1 | |
| 12 | 67F-15142-00 | GUIDE 1 GUIDE 1 | 2 | 2 | |
| 13 | 67F-41113-01-1S | OUTER COVER, EXHAUST COUVERCLE, ECHAPPEMENT | 1 | 1 | |
| 14 | 67F-41114-A0 | GASKET, EXHAUST OUTER COVER JOINT, COUVERCLE D'ECHAPPEMENT | 1 | 1 | |
| 15 | 90119-06MA4 | BOLT, WITH WASHER BOULON, AVEC RONDELLE | 18 | 18 | |
| 16 | 90445-10M40 | HOSE (L330) DURITE (L330) | 1 | 1 | |
| 17 | 90465-11M10 | CLAMP BRIDE | 2 | 2 | |
| 18 | 6G5-12416-00 | VALVE, PRESSURE CONTROL SOUPAPE DE CONTROLEUR PRESS | 1 | 1 | |
| 19 | 90501-16M11 | SPRING, COMPRESSION RESSORT, COMPRESSION | 1 | 1 | |
| 20 | 90480-20M05 | GROMMET PASSE-FIL | 1 | 1 | |
| 21 | 67F-1246A-00-1S | COVER 1 COUVERCLE 1 | 1 | 1 | |
| 22 | 67F-12435-A0 | GASKET JOINT | 1 | 1 | |
| 23 | 90119-06MA2 | BOLT, WITH WASHER BOULON, AVEC RONDELLE | 3 | 3 | |
| 24 | 67F-11325-00 | ANODE ANODE | 1 | 1 | |
| 25 | 67F-11327-00-94 | COVER, ANODE COUVERCLE | 1 | 1 | |
| 26 | 97075-06020 | BOLT BOULON | 1 | 1 | |
| 27 | 92995-06600 | WASHER RONDELLE | 1 | 1 | |

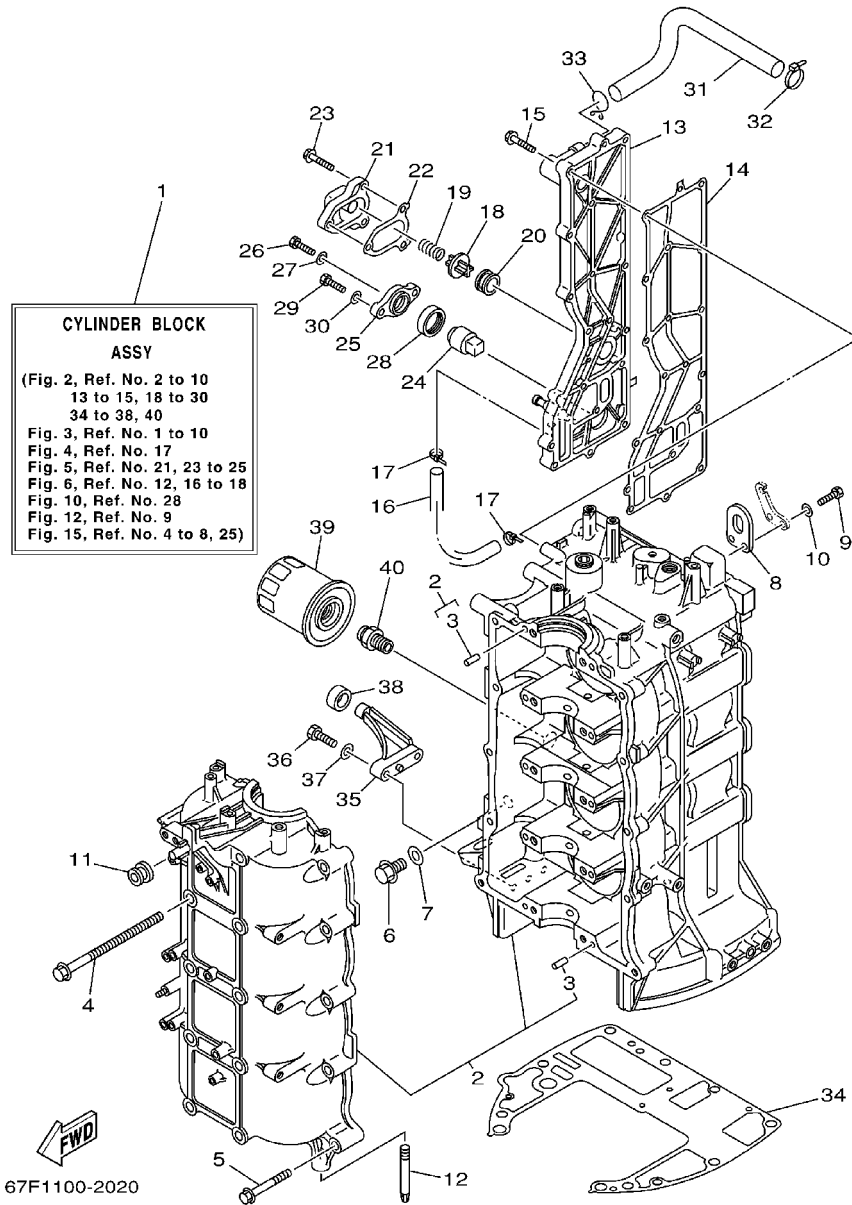
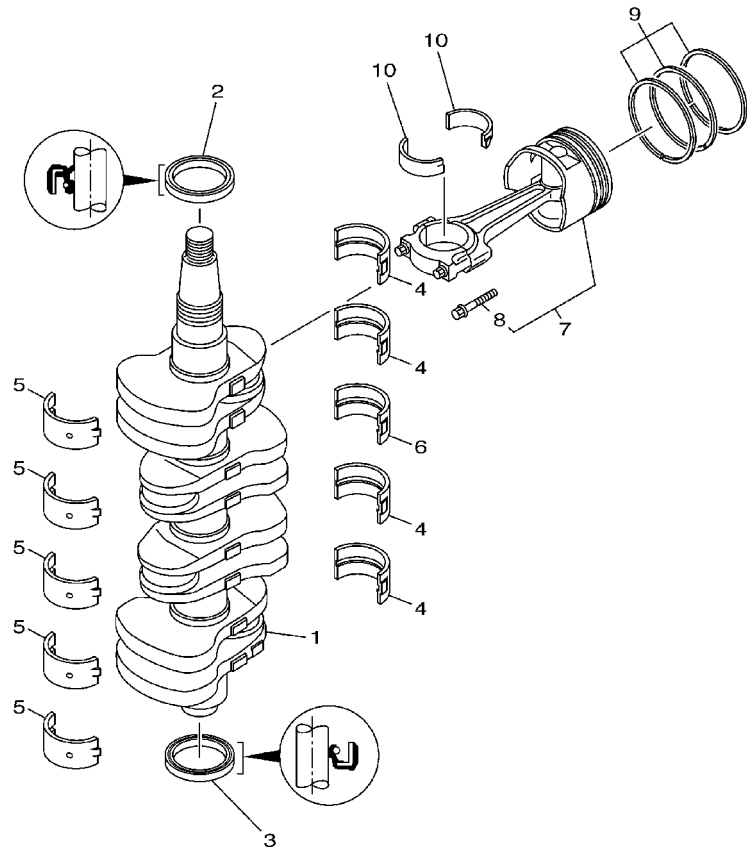


FIG. 2 CYLINDER. CRANKCASE 1 CYLINDRE. CARTER 1

| REF. NO. | PART NO. NO. PIECES | DESCRIPTION DESCRIPTION | F80 | F100 | REMARKS REMARQUES |
|----------|---------------------|---|-----|------|-------------------|
| 28 | 67F-11328-00 | GROMMET, ANODE PASSE-FIL | 1 | 1 | |
| 29 | 97075-08025 | BOLT BOULON | 2 | 2 | |
| 30 | 92995-08600 | WASHER RONDELLE | 2 | 2 | |
| 31 | 67F-1243A-00 | HOSE 1 DURITE 1 | 1 | 1 | |
| 32 | 90465-11M10 | CLAMP BRIDE | 1 | 1 | |
| 33 | 90467-20M15 | CLIP JONC | 1 | 1 | |
| 34 | 67F-11351-01 | GASKET, CYLINDER JOINT, D'EMBASE | 1 | 1 | |
| 35 | 67F-42761-00-94 | STOPPER PLAQUETTE | 2 | 2 | |
| 36 | 97095-06025 | BOLT BOULON | 4 | 4 | |
| 37 | 92995-06600 | WASHER RONDELLE | 4 | 4 | |
| 38 | 68F-44533-00 | DAMPER, UPPER MOUNT RUBBER COUVERCLE, SUSPENSION INFERIEU | 2 | 2 | |
| 39 | 5GH-13440-00 | ELEMENT ASSY, OIL CLEANER ELEMENT, FILTRE A HUILE | 1 | 1 | |
| 40 | 90401-20145 | BOLT, UNION BOULON, RACCORD | 1 | 1 | |

FIG. 3 CRANKSHAFT. PISTON

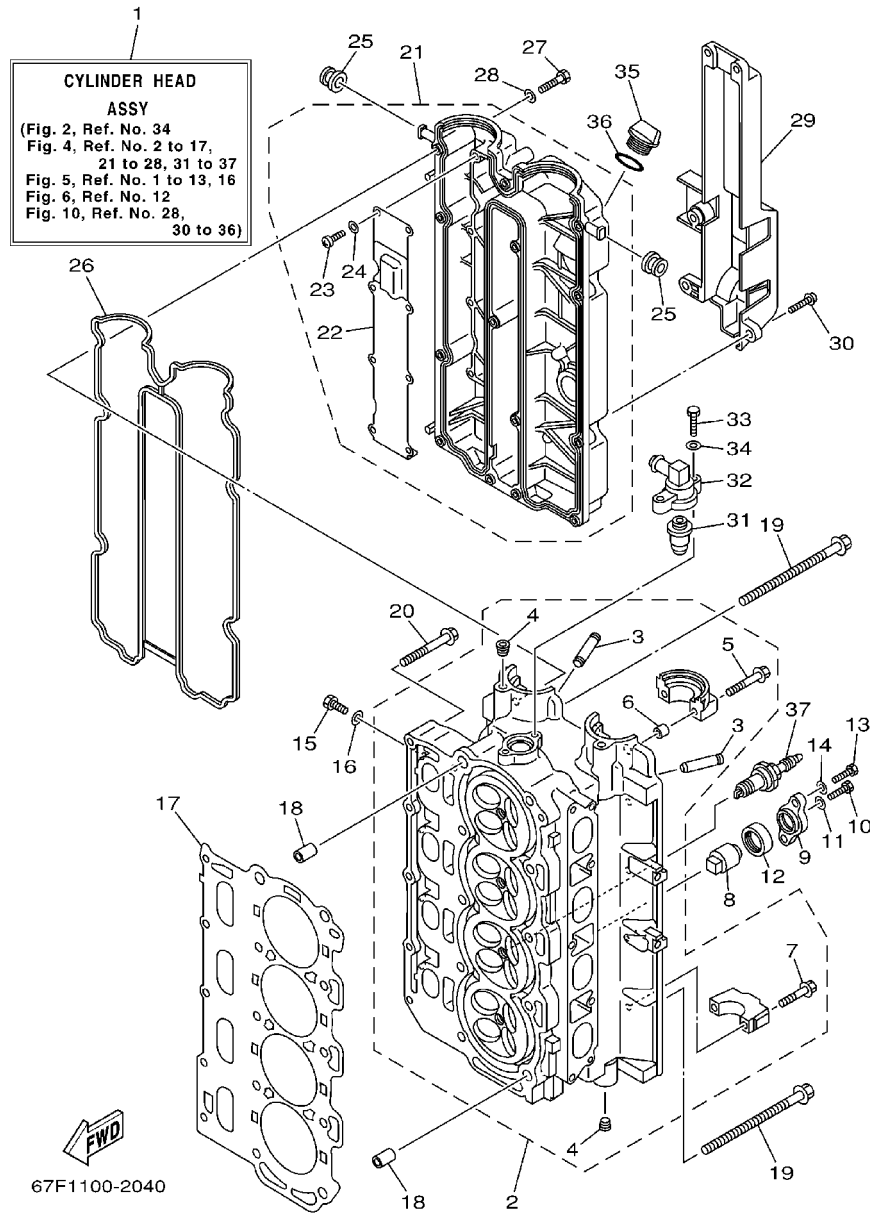
VILEBREQUIN. PISTON



| REF. NO. | PART NO. NO. PIECES | DESCRIPTION DESCRIPTION | F80 | F100 | REMARKS REMARQUES |
|----------|---------------------|--|-----|------|-------------------|
| 1 | 67F-11411-00 | CRANKSHAFT VILEBREQUIN COMPLET | 1 | 1 | |
| 2 | 93102-48009 | OIL SEAL JOINT SPY | 1 | 1 | |
| 3 | 93101-48002 | OIL SEAL JOINT SPY | 1 | 1 | |
| 4 | 67F-11416-00 | PLANE BEARING, CRANKSHAFT 1 COUSSINET DE VILEBREQUIN 1 | 4 | 4 | UR GREEN |
| | 67F-11416-10 | PLANE BEARING, CRANKSHAFT 1 COUSSINET DE VILEBREQUIN 1 | 4 | 4 | UR BLUE |
| | 67F-11416-20 | PLANE BEARING, CRANKSHAFT 1 COUSSINET DE VILEBREQUIN 1 | 4 | 4 | UR RED |
| 5 | 67F-11417-00 | PLANE BEARING, CRANKSHAFT 2 COUSSINET DE VILEBREQUIN 2 | 5 | 5 | UR YELLOW |
| | 67F-11417-10 | PLANE BEARING, CRANKSHAFT 2 COUSSINET DE VILEBREQUIN 2 | 5 | 5 | UR GREEN |
| | 67F-11417-20 | PLANE BEARING, CRANKSHAFT 2 COUSSINET DE VILEBREQUIN 2 | 5 | 5 | UR BLUE |
| | 67F-11417-30 | PLANE BEARING, CRANKSHAFT 2 COUSSINET DE VILEBREQUIN 2 | 5 | 5 | UR RED |
| 6 | 67F-11418-00 | PLANE BEARING, CRANKSHAFT 3 COUSSINET DE VILEBREQUIN 3 | 1 | 1 | UR GREEN |
| | 67F-11418-10 | PLANE BEARING, CRANKSHAFT 3 COUSSINET DE VILEBREQUIN 3 | 1 | 1 | UR BLUE |
| | 67F-11418-20 | PLANE BEARING, CRANKSHAFT 3 COUSSINET DE VILEBREQUIN 3 | 1 | 1 | UR RED |
| 7 | 67F-11640-00 | PISTON/CONNECTING ROD ASSY (STD) PISTON/BIELLE COMPLETE (STD) | 4 | 4 | |
| | 67F-11640-10 | PISTON/CON-ROD ASSY (0.25MM OS) PISTON/BIELLE COMPLETE (0.25MM OS) | 4 | 4 | AP |
| 8 | 67F-11654-00 | .BOLT, CONNECTING ROD .BOULON, BIELLE | 2 | 2 | |
| 9 | 67F-11603-01 | PISTON RING SET (STD) JUE DE SEGMENTS (STD) | 4 | 4 | |
| | 67F-11604-01 | PISTON RING SET (0.25MM O/S) JUE DE SEGMENTS (0.25MM O/S) | 4 | 4 | AP |
| 10 | 67F-11656-00 | PLANE BEARING, CONNECTING ROD ROULEMENT DE BIELLE | 8 | 8 | UR YELLOW |
| | 67F-11656-10 | PLANE BEARING, CONNECTING ROD ROULEMENT DE BIELLE | 8 | 8 | UR GREEN |
| | 67F-11656-20 | PLANE BEARING, CONNECTING ROD ROULEMENT DE BIELLE | 8 | 8 | UR BLUE |
| | 67F-11656-30 | PLANE BEARING, CONNECTING ROD ROULEMENT DE BIELLE | 8 | 8 | UR RED |

FWD
67F0010-0031

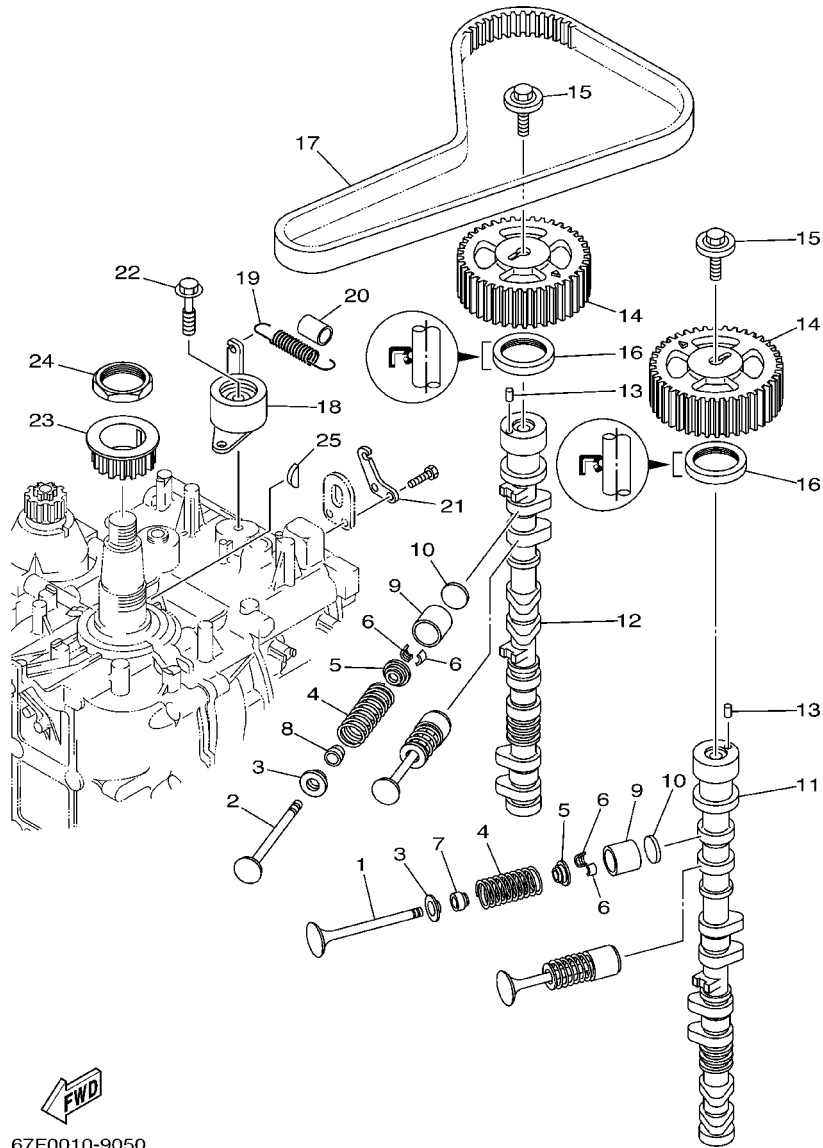
FIG. 4 CYLINDER. CRANKCASE 2 CYLINDRE. CARTER 2



| REF. NO. | PART NO. NO. PIECES | DESCRIPTION DESCRIPTION | | | REMARKS REMARQUES |
|----------|---------------------|---|-----|------|-------------------|
| | | | F80 | F100 | |
| 1 | 60C-W009A-00-1S | CYLINDER HEAD ASSY CULASSE (ENS.) | 1 | 1 | |
| 2 | 67F-11110-10-94 | CYLINDER HEAD ASSY JEU DE CULASSE | 1 | 1 | |
| 3 | 67F-11133-10 | .GUIDE, INTAKE VALVE .GUIDE, SOUP D'ADM | 16 | 16 | |
| 4 | 90344-51019 | .PLUG, TAPER SCREW .PLOT, FILETE CONIQUE | 4 | 4 | |
| 5 | 90119-07235 | .BOLT, WITH WASHER .BOULON, AVEC RONDELLE | 4 | 4 | |
| 6 | 91809-08006 | .PIN, DOWEL .GOUJON, D'ASSEMBLAGE | 4 | 4 | |
| 7 | 90119-07234 | .BOLT, WITH WASHER .BOULON, AVEC RONDELLE | 16 | 16 | |
| 8 | 67F-11325-00 | ANODE ANODE | 2 | 2 | |
| 9 | 67F-11327-00-94 | COVER, ANODE COUVERCLE | 2 | 2 | |
| 10 | 97075-06020 | BOLT BOULON | 2 | 2 | |
| 11 | 92995-06600 | WASHER RONDELLE | 2 | 2 | |
| 12 | 67F-11328-00 | GROMMET, ANODE PASSE-FIL | 2 | 2 | |
| 13 | 97075-08025 | BOLT BOULON | 4 | 4 | |
| 14 | 92995-08600 | WASHER RONDELLE | 4 | 4 | |
| 15 | 97095-08014 | BOLT BOULON | 4 | 4 | |
| 16 | 90430-08143 | GASKET JOINT | 4 | 4 | |
| 17 | 67F-11181-01 | GASKET, CYLINDER HEAD 1 JOINT, DE CULASSE 1 | 1 | 1 | |
| 18 | 90387-10M08 | COLLAR COLLERETTE | 2 | 2 | |
| 19 | 90105-10M89 | BOLT, FLANGE BOULON | 10 | 10 | |
| 20 | 90119-08M91 | BOLT, WITH WASHER BOULON, AVEC RONDELLE | 5 | 5 | |
| 21 | 68V-11191-00-1S | COVER, CYLINDER HEAD 1 COUVERCLE, CULASSE 1 | 1 | 1 | |
| 22 | 67F-11168-00 | .COVER, BREATHER .COUVERCLE, RENIFLARD | 1 | 1 | |
| 23 | 98507-04008 | .SCREW, PAN HEAD .VIS, TETE TRONCONIQUE | 8 | 8 | |
| 24 | 92907-04600 | .WASHER .RONDELLE | 8 | 8 | |
| 25 | 90480-12072 | GROMMET PASSE-FIL | 2 | 2 | |
| 26 | 67F-11356-00 | SEAL, CYLINDER 2 JOINT, SPY CYLINDRE | 1 | 1 | |
| 27 | 97095-06030 | BOLT BOULON | 14 | 14 | |

FIG. 5 VALVE

SOUPAPE



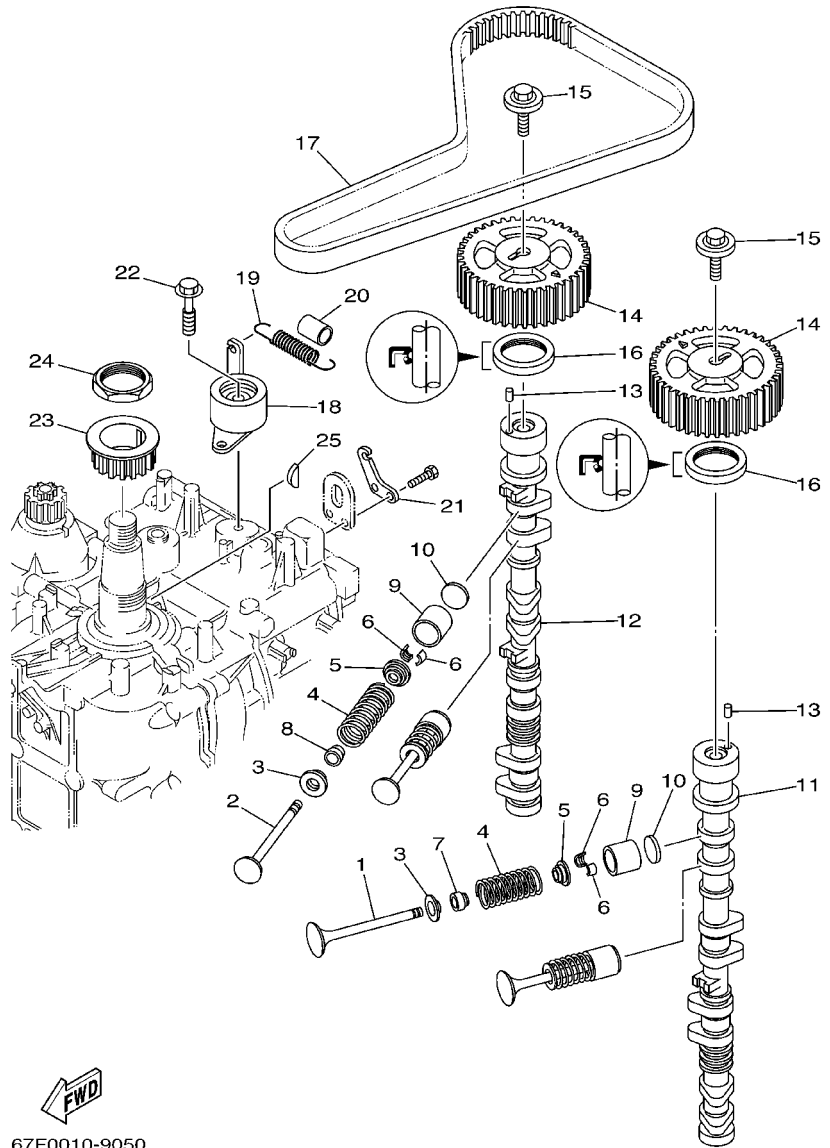
| REF. NO. | PART NO. NO. PIECES | DESCRIPTION DESCRIPTION | F80 | F100 | REMARKS REMARQUES |
|--------------|--|--|-----|------|-------------------|
| 1 | 68V-12111-00 | VALVE, INTAKE SOUPAPE, ADMISSION | 8 | 8 | |
| 2 | 68V-12121-00 | VALVE, EXHAUST SOUPAPE, ECHAPPEMENT | 8 | 8 | |
| 3 | 67F-12116-00 | SEAT, VALVE SPRING SIEGE, RESSORT DE SOUPAPE | 16 | 16 | |
| 4 | 67F-12114-00 | SPRING, VALVE OUTER RESSORT DE SOUPAPE, EXTERNE | 16 | 16 | |
| 5 | 67F-12117-00 | RETAINER, VALVE SPRING BUTEE DE RESSORT DE SOUPAPE | 16 | 16 | |
| 6 | 67F-12118-00 | COTTER, VALVE FRAISE, SOUPAPE | 32 | 32 | |
| 7 | K0A-A3721-00 | SEAL, VALVE STEM JOINT, QUEUE DE SOUPAPE | 8 | 8 | |
| 8 | K0A-A3722-00 | SEAL, VALVE STEM 2 JOINT, QUEUE DE SOUPAPE 2 | 8 | 8 | |
| 9 | 67F-12153-00 | LIFTER, VALVE LEVE-SOUPAPE | 16 | 16 | |
| 10 | 67F-12168-00 | PAD, ADJUSTING (2.000) PASTILLE, DE REGLAGE (2.000) | 16 | 16 | UR |
| 67F-12168-10 | PAD, ADJUSTING (2.025) PASTILLE, DE REGLAGE (2.025) | 16 | 16 | UR | |
| 67F-12168-20 | PAD, ADJUSTING (2.050) PASTILLE, DE REGLAGE (2.050) | 16 | 16 | UR | |
| 67F-12168-30 | PAD, ADJUSTING (2.075) PASTILLE, DE REGLAGE (2.075) | 16 | 16 | UR | |
| 67F-12168-40 | PAD, ADJUSTING (2.100) PASTILLE, DE REGLAGE (2.100) | 16 | 16 | UR | |
| 67F-12168-50 | PAD, ADJUSTING (2.125) PASTILLE, DE REGLAGE (2.125) | 16 | 16 | UR | |
| 67F-12168-60 | PAD, ADJUSTING (2.150) PASTILLE, DE REGLAGE (2.150) | 16 | 16 | UR | |
| 67F-12168-70 | PAD, ADJUSTING (2.175) PASTILLE, DE REGLAGE (2.175) | 16 | 16 | UR | |
| 67F-12168-80 | PAD, ADJUSTING (2.200) PASTILLE, DE REGLAGE (2.200) | 16 | 16 | UR | |
| 67F-12168-A0 | PAD, ADJUSTING (2.225) PASTILLE, DE REGLAGE (2.225) | 16 | 16 | UR | |
| 67F-12168-B0 | PAD, ADJUSTING (2.250) PASTILLE, DE REGLAGE (2.250) | 16 | 16 | UR | |
| 67F-12168-C0 | PAD, ADJUSTING (2.275) PASTILLE, DE REGLAGE (2.275) | 16 | 16 | UR | |
| 67F-12168-D0 | PAD, ADJUSTING (2.300) PASTILLE, DE REGLAGE (2.300) | 16 | 16 | UR | |
| 67F-12168-E0 | PAD, ADJUSTING (2.325) PASTILLE, DE REGLAGE (2.325) | 16 | 16 | UR | |
| 67F-12168-F0 | PAD, ADJUSTING (2.350) PASTILLE, DE REGLAGE (2.350) | 16 | 16 | UR | |
| 67F-12168-G0 | PAD, ADJUSTING (2.375) PASTILLE, DE REGLAGE (2.375) | 16 | 16 | UR | |
| 67F-12168-H0 | PAD, ADJUSTING (2.400) PASTILLE, DE REGLAGE (2.400) | 16 | 16 | UR | |
| 67F-12168-J0 | PAD, ADJUSTING (2.425) PASTILLE, DE REGLAGE (2.425) | 16 | 16 | UR | |



67F0010-9050

FIG. 5 VALVE

SOUPAPE



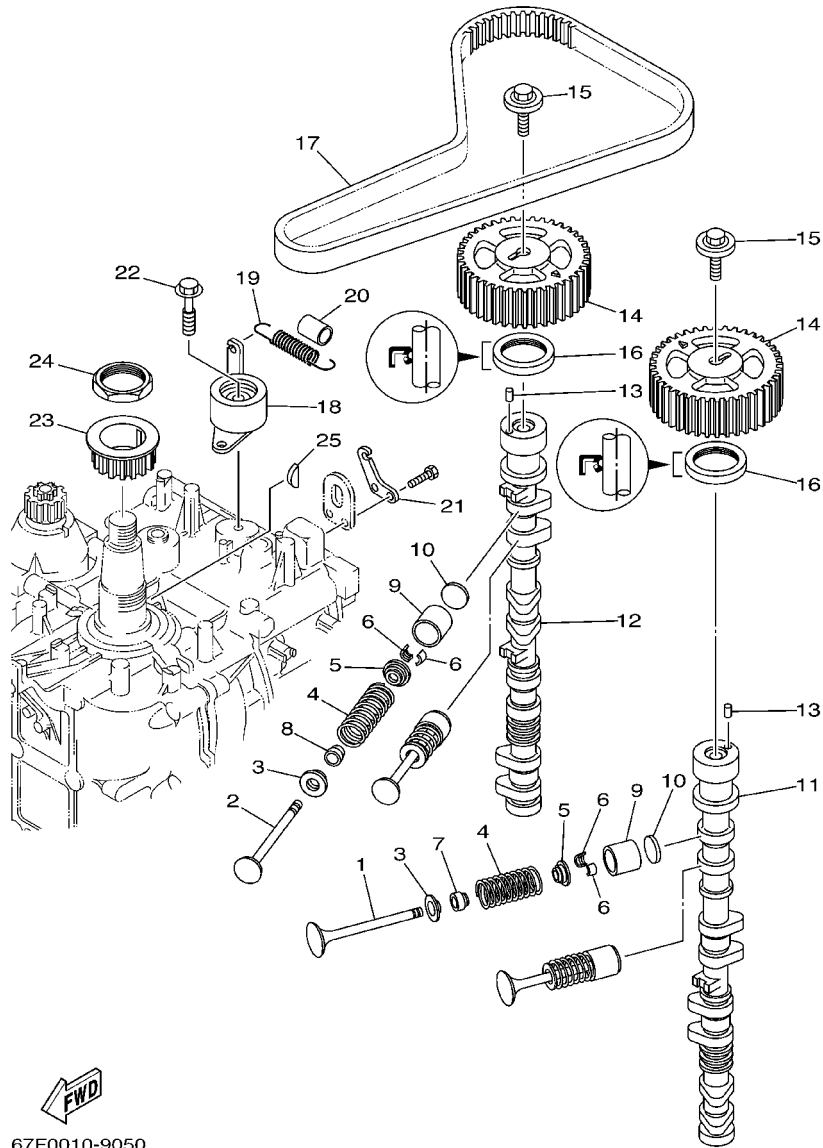
| REF. NO. | PART NO. NO. PIECES | DESCRIPTION DESCRIPTION | F80 | F100 | REMARKS REMARQUES |
|----------|---------------------|--|-----|------|-------------------|
| 10 | 67F-12168-K0 | PAD, ADJUSTING (2.450) PASTILLE, DE REGLAGE (2.450) | 16 | 16 | UR |
| | 67F-12168-L0 | PAD, ADJUSTING (2.475) PASTILLE, DE REGLAGE (2.475) | 16 | 16 | UR |
| | 67F-12168-M0 | PAD, ADJUSTING (2.500) PASTILLE, DE REGLAGE (2.500) | 16 | 16 | UR |
| | 67F-12168-N0 | PAD, ADJUSTING (2.525) PASTILLE, DE REGLAGE (2.525) | 16 | 16 | UR |
| | 67F-12168-P0 | PAD, ADJUSTING (2.550) PASTILLE, DE REGLAGE (2.550) | 16 | 16 | UR |
| | 67F-12168-R0 | PAD, ADJUSTING (2.575) PASTILLE, DE REGLAGE (2.575) | 16 | 16 | UR |
| | 67F-12168-S0 | PAD, ADJUSTING (2.600) PASTILLE, DE REGLAGE (2.600) | 16 | 16 | UR |
| | 67F-12168-T0 | PAD, ADJUSTING (2.625) PASTILLE, DE REGLAGE (2.625) | 16 | 16 | UR |
| | 67F-12168-U0 | PAD, ADJUSTING (2.650) PASTILLE, DE REGLAGE (2.650) | 16 | 16 | UR |
| | 67F-12168-V0 | PAD, ADJUSTING (2.675) PASTILLE, DE REGLAGE (2.675) | 16 | 16 | UR |
| | 67F-12168-W0 | PAD, ADJUSTING (2.700) PASTILLE, DE REGLAGE (2.700) | 16 | 16 | UR |
| | 67F-12168-X0 | PAD, ADJUSTING (2.725) PASTILLE, DE REGLAGE (2.725) | 16 | 16 | UR |
| | 67F-12168-Y0 | PAD, ADJUSTING (2.750) PASTILLE, DE REGLAGE (2.750) | 16 | 16 | UR |
| | 67F-12169-00 | PAD, ADJUSTING (2.775) PASTILLE, DE REGLAGE (2.775) | 16 | 16 | UR |
| | 67F-12169-10 | PAD, ADJUSTING (2.800) PASTILLE, DE REGLAGE (2.800) | 16 | 16 | UR |
| | 67F-12169-20 | PAD, ADJUSTING (2.825) PASTILLE, DE REGLAGE (2.825) | 16 | 16 | UR |
| | 67F-12169-30 | PAD, ADJUSTING (2.850) PASTILLE, DE REGLAGE (2.850) | 16 | 16 | UR |
| | 67F-12169-40 | PAD, ADJUSTING (2.875) PASTILLE, DE REGLAGE (2.875) | 16 | 16 | UR |
| | 67F-12169-50 | PAD, ADJUSTING (2.900) PASTILLE, DE REGLAGE (2.900) | 16 | 16 | UR |
| | 67F-12169-60 | PAD, ADJUSTING (2.925) PASTILLE, DE REGLAGE (2.925) | 16 | 16 | UR |
| | 67F-12169-70 | PAD, ADJUSTING (2.950) PASTILLE, DE REGLAGE (2.950) | 16 | 16 | UR |
| | 67F-12169-80 | PAD, ADJUSTING (2.975) PASTILLE, DE REGLAGE (2.975) | 16 | 16 | UR |
| | 67F-12169-A0 | PAD, ADJUSTING (3.000) PASTILLE, DE REGLAGE (3.000) | 16 | 16 | UR |
| | 67F-12169-B0 | PAD, ADJUSTING (3.025) PASTILLE, DE REGLAGE (3.025) | 16 | 16 | UR |
| | 67F-12169-C0 | PAD, ADJUSTING (3.050) PASTILLE, DE REGLAGE (3.050) | 16 | 16 | UR |
| | 67F-12169-D0 | PAD, ADJUSTING (3.075) PASTILLE, DE REGLAGE (3.075) | 16 | 16 | UR |
| | 67F-12169-E0 | PAD, ADJUSTING (3.100) PASTILLE, DE REGLAGE (3.100) | 16 | 16 | UR |



67F0010-9050

FIG. 5 VALVE

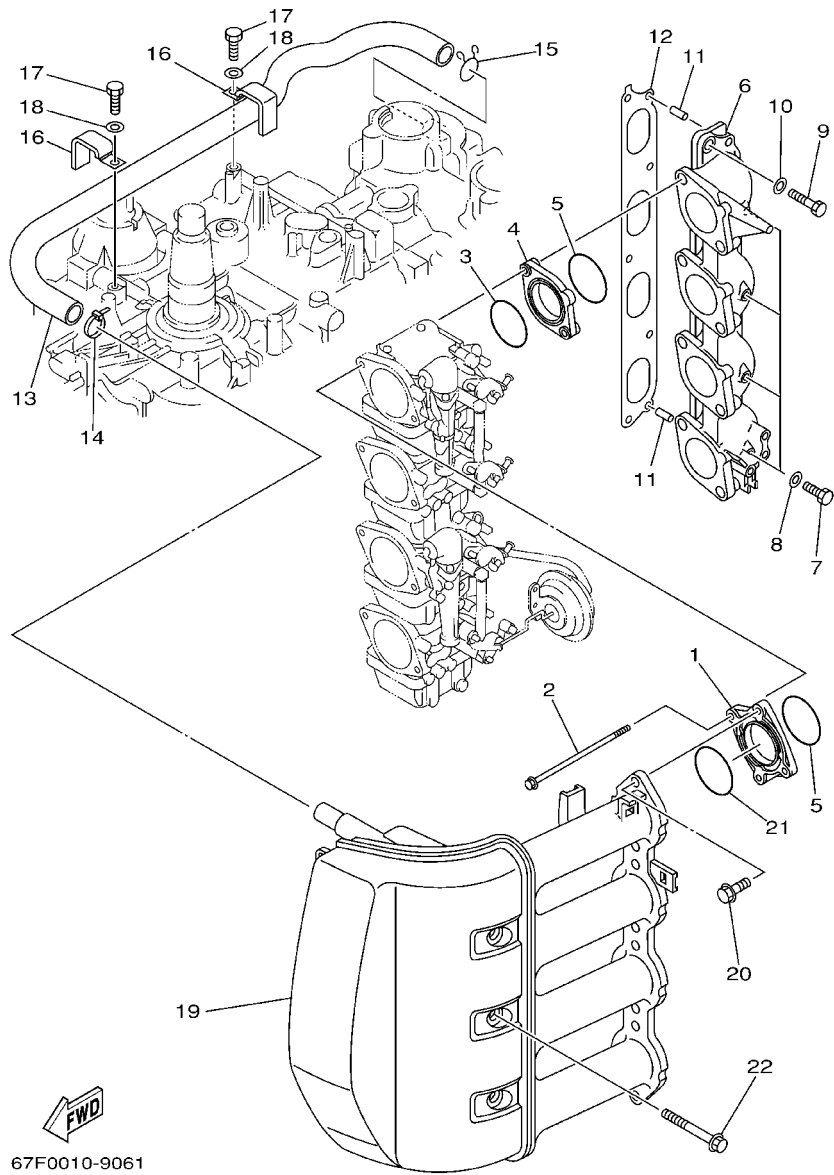
SOUPAPE



| REF. NO. | PART NO. NO. PIECES | DESCRIPTION DESCRIPTION | F80 | F100 | REMARKS REMARQUES |
|----------|---------------------|--|-----|------|-------------------|
| 10 | 67F-12169-F0 | PAD, ADJUSTING (3.125) PASTILLE, DE REGLAGE (3.125) | 16 | 16 | UR |
| | 67F-12169-G0 | PAD, ADJUSTING (3.150) PASTILLE, DE REGLAGE (3.150) | 16 | 16 | UR |
| | 67F-12169-H0 | PAD, ADJUSTING (3.175) PASTILLE, DE REGLAGE (3.175) | 16 | 16 | UR |
| | 67F-12169-J0 | PAD, ADJUSTING (3.200) PASTILLE, DE REGLAGE (3.200) | 16 | 16 | UR |
| | 67F-12169-K0 | PAD, ADJUSTING (3.225) PASTILLE, DE REGLAGE (3.225) | 16 | 16 | UR |
| | 67F-12169-L0 | PAD, ADJUSTING (3.250) PASTILLE, DE REGLAGE (3.250) | 16 | 16 | UR |
| | 67F-12169-M0 | PAD, ADJUSTING (3.275) PASTILLE, DE REGLAGE (3.275) | 16 | 16 | UR |
| | 67F-12169-N0 | PAD, ADJUSTING (3.300) PASTILLE, DE REGLAGE (3.300) | 16 | 16 | UR |
| 11 | 67F-12171-00 | CAMSHAFT 1 ARBRE A CAMES 1 | 1 | 1 | |
| 12 | 67F-12181-00 | CAMSHAFT 2 ARBRE A CAMES 2 | 1 | 1 | |
| 13 | 93605-10108 | PIN, DOWEL GOUJON | 2 | 2 | |
| 14 | 67F-11537-00 | GEAR, DRIVEN PIGNON SECONDAIRE | 2 | 2 | |
| 15 | 90119-10M06 | BOLT, WITH WASHER BOULON, AVEC RONDELLE | 2 | 2 | |
| 16 | 93102-38M59 | OIL SEAL JOINT SPY | 2 | 2 | |
| 17 | 67F-46241-00 | BELT COURROIE TRAPEZOIDALE | 1 | 1 | |
| 18 | 67F-11590-00 | TENSIONER ASSY TENDEUR (ENS.) | 1 | 1 | |
| 19 | 90506-16M39 | SPRING, TENSION RESSORT, TENSION | 1 | 1 | |
| 20 | 90445-15M03 | HOSE (L23) DURITE (L23) | 1 | 1 | |
| 21 | 67F-11595-00 | PLATE, VALVE PLAQUE DE SOUPAPE | 1 | 1 | |
| 22 | 90119-10M72 | BOLT, WITH WASHER BOULON, AVEC RONDELLE | 1 | 1 | |
| 23 | 67F-11536-00 | GEAR, DRIVE ENGRNAGE, MENANT | 1 | 1 | |
| 24 | 90170-40003 | NUT ECROU | 1 | 1 | |
| 25 | 90280-04008 | KEY, WOODRUFF CLAVETTE, DEMI-LUNE | 1 | 1 | |



67F0010-9050



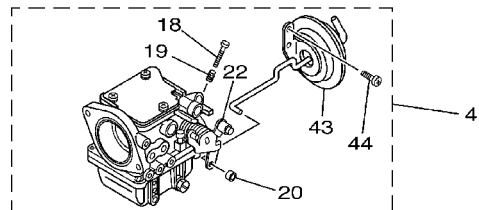
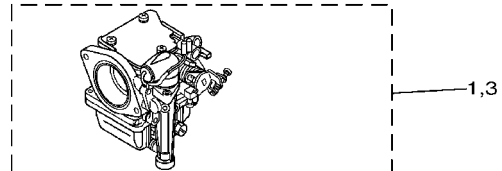
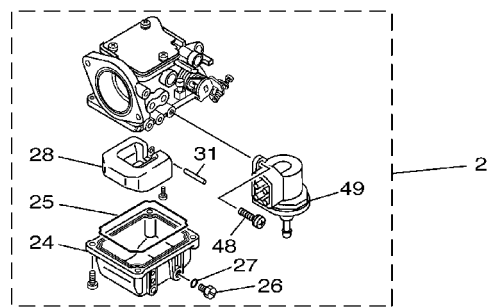
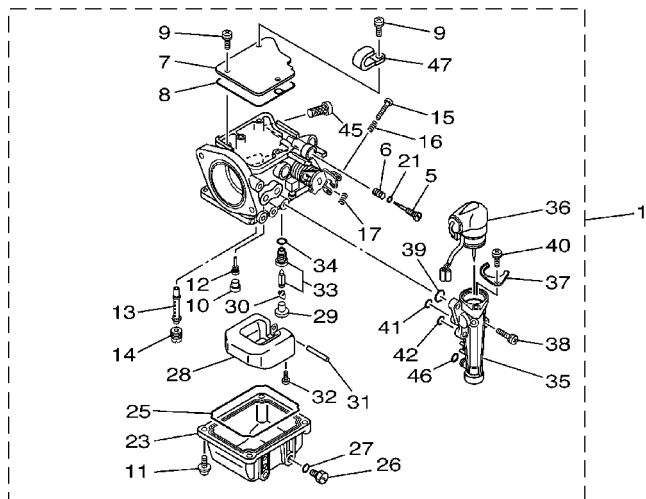
67F0010-9061

FIG. 6 INTAKE

ADMISSION

| REF. NO. | PART NO. NO. PIECES | DESCRIPTION DESCRIPTION | F80 | F100 | REMARKS REMARQUES |
|----------|---------------------|---|-----|------|-------------------|
| 1 | 67F-14243-00 | PLATE PLAQUE | 4 | 4 | |
| 2 | 67F-14216-00 | BOLT BOULON | 8 | 8 | |
| 3 | 67F-14239-00 | SEAL JOINT | 4 | 4 | |
| 4 | 67F-14271-00 | INSULATOR ISOLATEUR | 4 | 4 | |
| 5 | 93210-40M10 | O-RING JOINT TORIQUE | 8 | 8 | |
| 6 | 67F-13641-00-94 | MANIFOLD 1 TUBULURE 1 | 1 | 1 | |
| 7 | 97095-06010 | BOLT BOULON | 4 | 4 | |
| 8 | 90430-06014 | GASKET JOINT | 4 | 4 | |
| 9 | 97075-08035 | BOLT BOULON | 5 | 5 | |
| 10 | 92995-08600 | WASHER RONDELLE | 5 | 5 | |
| 11 | 91690-50014 | PIN, SPRING GOUPILLE, ELASTIQUE | 2 | 2 | |
| 12 | 67F-13645-00 | GASKET, MANIFOLD 1 JOINT, TUBULURE 1 | 1 | 1 | |
| 13 | 67F-15373-00 | PIPE, BREATHER DURITE DE RENIFLARD | 1 | 1 | |
| 14 | 90465-11M10 | CLAMP BRIDE | 1 | 1 | |
| 15 | 90467-20M15 | CLIP JONC | 1 | 1 | |
| 16 | 90465-12M03 | CLAMP BRIDE | 2 | 2 | |
| 17 | 97095-06012 | BOLT BOULON | 2 | 2 | |
| 18 | 92995-06600 | WASHER RONDELLE | 2 | 2 | |
| 19 | 67F-14440-00 | SILENCER ASSY, INTAKE SIENCIEUX D'ADMISSION | 1 | 1 | |
| 20 | 90119-06M82 | BOLT, WITH WASHER BOULON, AVEC RONDELLE | 8 | 8 | |
| 21 | 93210-41MJ2 | O-RING JOINT TORIQUE | 4 | 4 | |
| 22 | 90119-08M59 | BOLT, WITH WASHER BOULON, AVEC RONDELLE | 3 | 3 | |

B6



67F1010-2070

FIG. 7 CARBURETOR 1

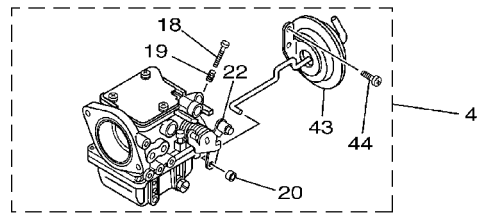
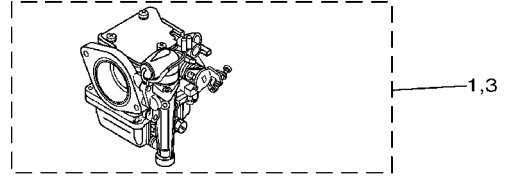
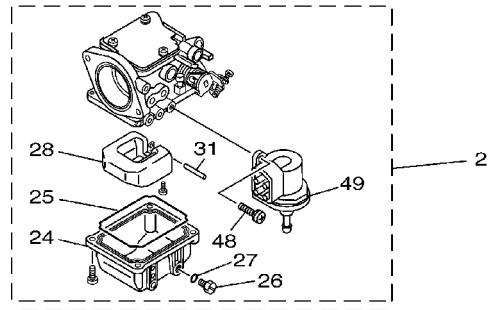
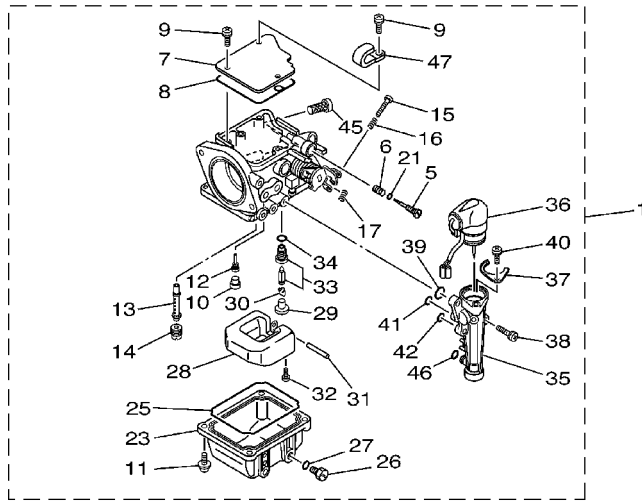
CARBURETEUR 1

| REF. NO. | PART NO. NO. PIECES | DESCRIPTION DESCRIPTION | F80 | F100 | REMARKS REMARQUES |
|----------|---------------------|---|-----|------|-------------------|
| 1 | 67F-14901-20 | CARBURETOR ASSY 1 CARBURATEUR 1 COMPLET | | 1 | #1 |
| | 67G-14901-30 | CARBURETOR ASSY 1 CARBURATEUR 1 COMPLET | 2 | | FOR STD-#1,3 |
| | 67G-14901-50 | CARBURETOR ASSY 1 CARBURATEUR 1 COMPLET | 2 | | FOR SAV-#1,3 |
| 2 | 67F-14902-20 | CARBURETOR ASSY 2 CARBURATEUR 2 COMPLET | | 1 | #2 |
| | 67G-14902-30 | CARBURETOR ASSY 2 CARBURATEUR 2 COMPLET | 1 | | FOR STD-#2 |
| | 67G-14902-50 | CARBURETOR ASSY 2 CARBURATEUR 2 COMPLET | 1 | | FOR SAV-#2 |
| 3 | 67F-14903-20 | CARBURETOR ASSY 3 CARBURATEUR 3 COMPLET | | 1 | #3 |
| 4 | 67F-14904-20 | CARBURETOR ASSY 4 CARBURATEUR 4 COMPLET | | 1 | #4 |
| | 67G-14904-30 | CARBURETOR ASSY 4 CARBURATEUR 4 COMPLET | 1 | | FOR STD-#4 |
| | 67G-14904-50 | CARBURETOR ASSY 4 CARBURATEUR 4 COMPLET | 1 | | FOR SAV-#4 |
| 5 | 67F-14923-00 | .SCREW, PILOT .VIS, RALENTI | 4 | 4 | FOR STD |
| | 67F-14923-10 | .SCREW, PILOT .VIS, RALENTI | 4 | | FOR SAV |
| 6 | 697-14555-00 | .SPRING .RESSORT | 4 | 4 | |
| 7 | 67F-14146-00 | .PLATE .PLAQUE | 4 | 4 | |
| 8 | 67F-14147-00 | .O-RING JOINT TORIQUE | 4 | 4 | |
| 9 | 97803-04010 | .SCREW, PAN HEAD .VIS, TETE TRONCONIQUE | 12 | 12 | |
| 10 | 676-14966-00 | .CAP .CAPUCHON | 4 | 4 | |
| 11 | 97980-04114 | .SCREW, WITH WASHER .VIS, AVEC RONDELLE | 16 | 16 | |
| 12 | 67F-1494F-04 | .JET (#42) .GICLEUR (#42) | | 4 | |
| | 67G-14948-05 | .JET (#45) .GICLEUR (#45) | | 4 | |
| 13 | 67F-14947-10 | .JET, NEEDLE .GICLEUR DE STARTER | | 4 | |
| | 67G-14947-00 | .JET, NEEDLE .GICLEUR DE STARTER | | 4 | |
| 14 | 67F-14943-32 | .JET, MAIN (#125) .GICLEUR, PRINCIPAL (#125) | | 4 | |
| | 67G-14943-80 | .JET, MAIN (#112) .GICLEUR, PRINCIPAL (#112) | | 4 | FOR STD |
| | 67G-14943-29 | .JET, MAIN (#110) .GICLEUR, PRINCIPAL (#110) | | 4 | FOR SAV |
| 15 | 67F-14567-00 | .SCREW .VIS | 3 | 3 | #1,2,3 |
| 16 | 67F-14555-00 | .SPRING .RESSORT | 3 | 3 | #1,2,3 |

B7

FIG. 7 CARBURETOR 1

CARBURETEUR 1



| REF. NO. | PART NO. NO. PIECES | DESCRIPTION DESCRIPTION | F80 | F100 | REMARKS REMARQUES |
|----------|---------------------|--|-----|------|-------------------|
| 17 | 67F-14556-00 | .SPRING .RESSORT | 3 | 3 | #1,2,3 |
| 18 | 63V-14523-00 | .SCREW, STOP .VIS, BUTEE | 1 | 1 | #4 |
| 19 | 90501-10326 | .SPRING, COMPRESSION .RESSORT, COMPRESSION | 1 | 1 | #4 |
| 20 | 67F-14998-00 | .BUSH .BAGUE | 1 | 1 | #4 |
| 21 | 67F-14397-00 | .O-RING .JOINT TORIQUE | 4 | 4 | |
| 22 | 6H2-14578-00 | .COLLAR .COLLERETTE | 1 | 1 | #4 |
| 23 | 67F-14980-00 | .BODY, FLOAT CHAMBER .CORPS, CUVE DE FLOTTEUR | 2 | 2 | #1,3 |
| 24 | 67F-14980-10 | .BODY, FLOAT CHAMBER .CORPS, CUVE DE FLOTTEUR | 2 | 2 | #2,4 |
| 25 | 67F-14984-00 | .GASKET, FLOAT CHAMBER .JOINT, CUVE DE FLOTTEUR | 4 | 4 | |
| 26 | 6H3-14992-00 | .SCREW, DRAIN .BOUCHON, PURGE | 4 | 4 | |
| 27 | 93210-04230 | .O-RING .JOINT TORIQUE | 4 | 4 | |
| 28 | 6H4-14985-01 | .FLOAT .FLOTTEUR | 4 | 4 | |
| 29 | 676-14186-00 | .PIN, FLOAT .AXE, FLOTTEUR | 4 | 4 | |
| 30 | 663-14159-00 | .CLIP .JONC | 4 | 4 | |
| 31 | 6H4-14548-00 | .PIN, FLOAT ARM .AXE, BRAS DE FLOTTEUR | 4 | 4 | |
| 32 | 98580-04008 | .SCREW, PAN HEAD .VIS, TETE TRONCONIQUE | 4 | 4 | |
| 33 | 60C-14590-00 | .NEEDLE VALVE ASSY .POINTEAU | 4 | 4 | |
| 34 | 93210-04228 | .O-RING .JOINT TORIQUE | 4 | 4 | |
| 35 | 67F-14378-00 | .BODY, STARTER .CORPS, STARTER | 2 | 2 | #1,3 |
| 36 | 67F-14380-01 | .PRIME STARTER ASSY .DEMARREUR D'AMARCAGE ENS. | 2 | 2 | #1,3 |
| 37 | 67F-14178-00 | .PLATE, STARTER LEVER .PLAQUE, LEVIER DE STARTER | 2 | 2 | #1,3 |
| 38 | 67F-14592-00 | .SCREW .VIS | 6 | 6 | #1,3 |
| 39 | 67F-14398-00 | .O-RING .JOINT TORIQUE | 2 | 2 | #1,3 |
| 40 | 67F-14565-00 | .SCREW .VIS | 2 | 2 | #1,3 |
| 41 | 67F-14398-10 | .O-RING .JOINT TORIQUE | 2 | 2 | #1,3 |
| 42 | 67F-14398-20 | .O-RING .JOINT TORIQUE | 2 | 2 | #1,3 |
| 43 | 67F-14369-00 | .DIAPHRAGM ASSY 2 .DIAPHRAGME 2 | 1 | 1 | #4 |

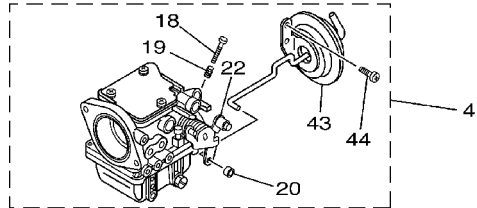
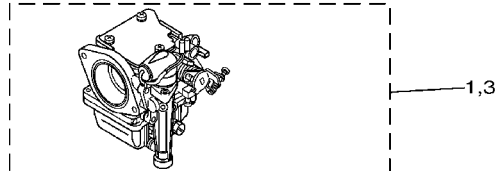
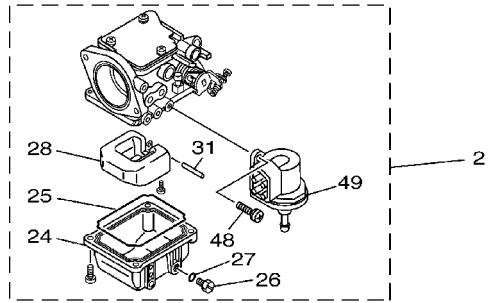
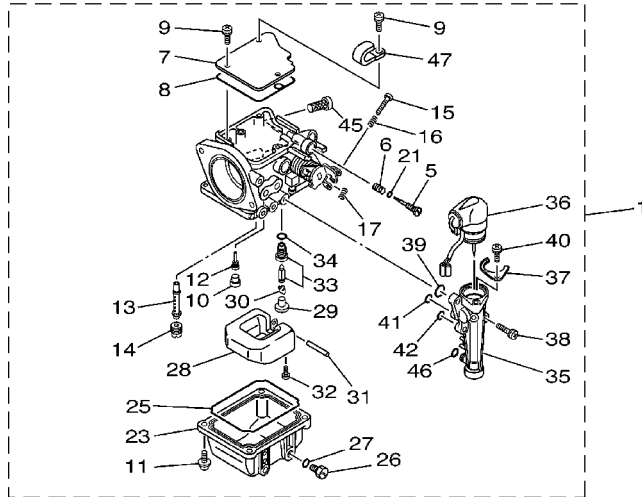


67F1010-2070

C1

FIG. 7 CARBURETOR 1

CARBURATEUR 1



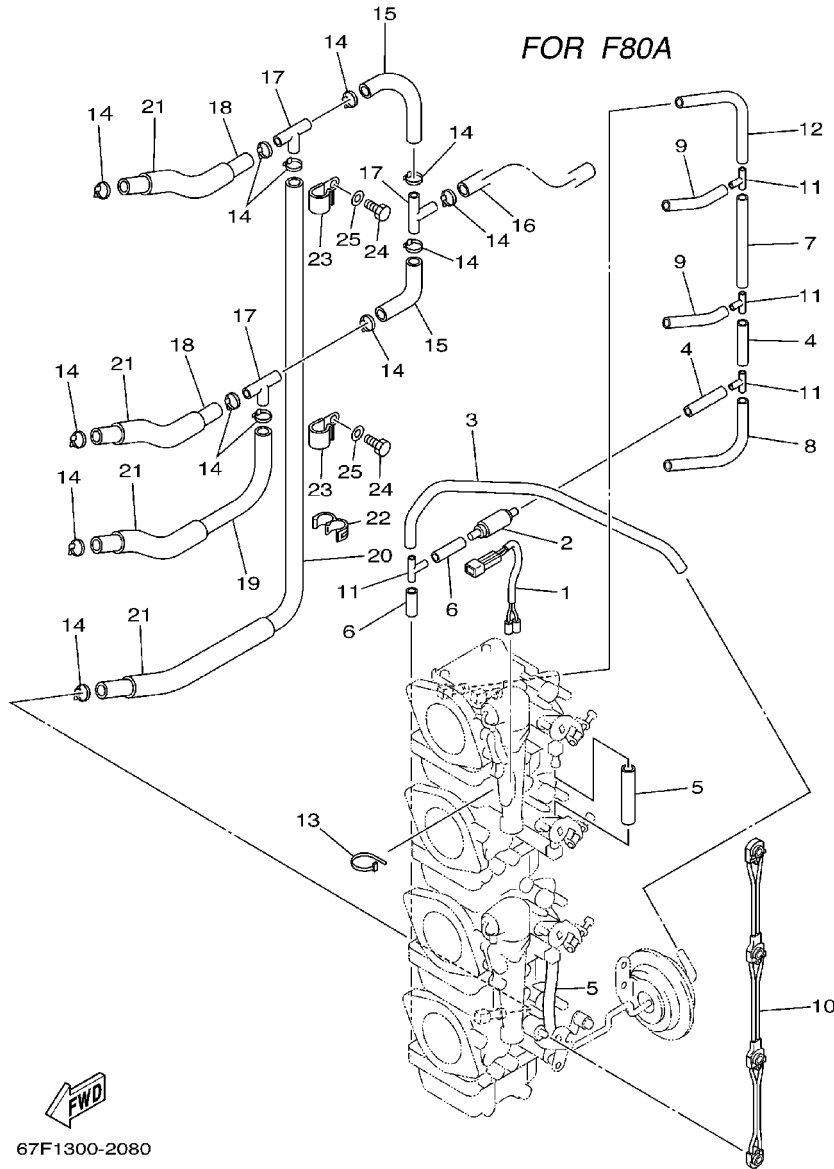
| REF. NO. | PART NO. NO. PIECES | DESCRIPTION DESCRIPTION | | | REMARKS REMARQUES |
|----------|---------------------|---|-----|------|-------------------|
| | | | F80 | F100 | |
| 44 | 67F-14325-00 | .SCREW, PAN HEAD .VIS TETE CONIQUE | 2 | 2 | #4 |
| 45 | 67F-14371-01 | .ELEMENT, FILTER .ELEMENT, FILTRE | 4 | 4 | |
| 46 | 67F-14398-30 | .O-RING .JOINT TORIQUE | 2 | 2 | #1,3 |
| 47 | 67F-14255-00 | .PLATE .PLAQUE | | 1 | #1 |
| 48 | 67F-14567-00 | .SCREW .VIS | | 2 | #2 |
| 49 | 67F-14860-00 | .CHECK VALVE BODY ASSY .SOUPAPE, RETENUE COMPLET | | 1 | #2 |
| | | | | | |
| | | | | | |
| | | | | | |
| | | | | | |
| | | | | | |
| | | | | | |
| | | | | | |
| | | | | | |
| | | | | | |
| | | | | | |



67F1010-2070

FIG. 8 CARBURETOR 2

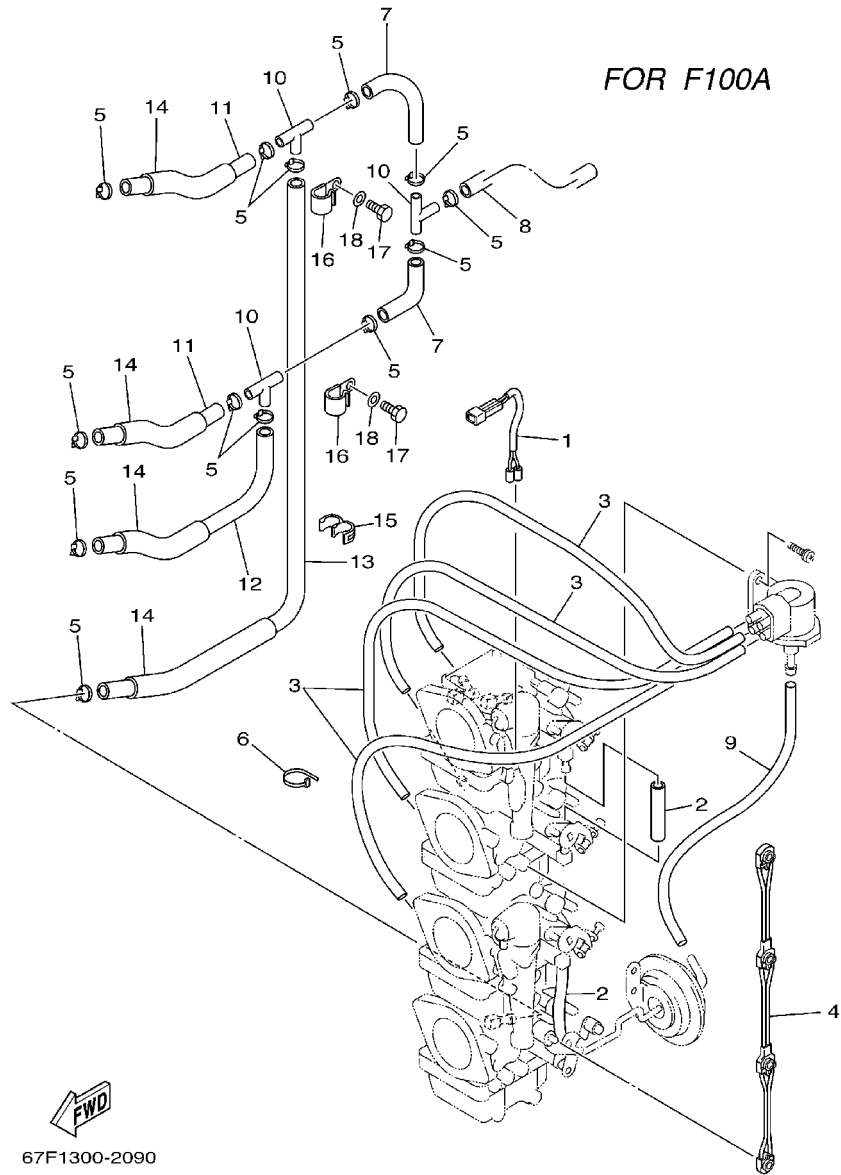
CARBURETEUR 2



| REF. NO. | PART NO. NO. PIECES | DESCRIPTION DESCRIPTION | F80 | F100 | REMARKS REMARQUES |
|----------|---------------------|---|-----|------|-------------------|
| 1 | 67F-1412A-00 | WIRE HARNESS ASSY FAISCEAU DE FILS COMPLET | 1 | | |
| 2 | 67F-13183-00 | VALVE, CHECK S'OUPAPE DE RATANUE | 1 | | |
| 3 | 67F-14349-00 | PIPE DURITE | 1 | | |
| 4 | 67F-14349-10 | PIPE DURITE | 2 | | |
| 5 | 67F-14349-20 | PIPE DURITE | 2 | | |
| 6 | 67F-14349-30 | PIPE DURITE | 2 | | |
| 7 | 67F-14349-40 | PIPE DURITE | 1 | | |
| 8 | 67F-14349-50 | PIPE DURITE | 1 | | |
| 9 | 67F-14349-60 | PIPE DURITE | 2 | | |
| 10 | 67F-14585-00 | ROD, CHOKE TRINGLE, STARTER | 1 | | |
| 11 | 67F-14189-00 | CONNECTOR CONNECTEUR | 4 | | |
| 12 | 67F-14349-70 | PIPE DURITE | 1 | | |
| 13 | 90465-11M59 | CLAMP BRIDE | 1 | | |
| 14 | 68F-24356-00 | CLIP, PIPE 1 JONC, TUBE 1 | 13 | | |
| 15 | 60C-14294-00 | HOSE DURITE | 2 | | |
| 16 | 60C-14298-00 | PIPE DURITE | 1 | | |
| 17 | 688-24378-00 | PIPE, JOINT 4 DURITE RACCORDEMENT 4 | 3 | | |
| 18 | 90445-10M16 | HOSE (L120) DURITE (L120) | 2 | | |
| 19 | 90445-10MG6 | HOSE (L180) DURITE (L180) | 1 | | |
| 20 | 90445-10MG7 | HOSE (L350) DURITE (L350) | 1 | | |
| 21 | 90445-16M07 | HOSE (L80) DURITE (L80) | 4 | | |
| 22 | 90464-10M57 | CLAMP BRIDE | 1 | | |
| 23 | 90465-08M83 | CLAMP BRIDE | 2 | | |
| 24 | 97095-06012 | BOLT BOULON | 2 | | |
| 25 | 92995-06600 | WASHER RONDELLE | 2 | | |

FIG. 9 CARBURETOR 3

CARBURETEUR 3

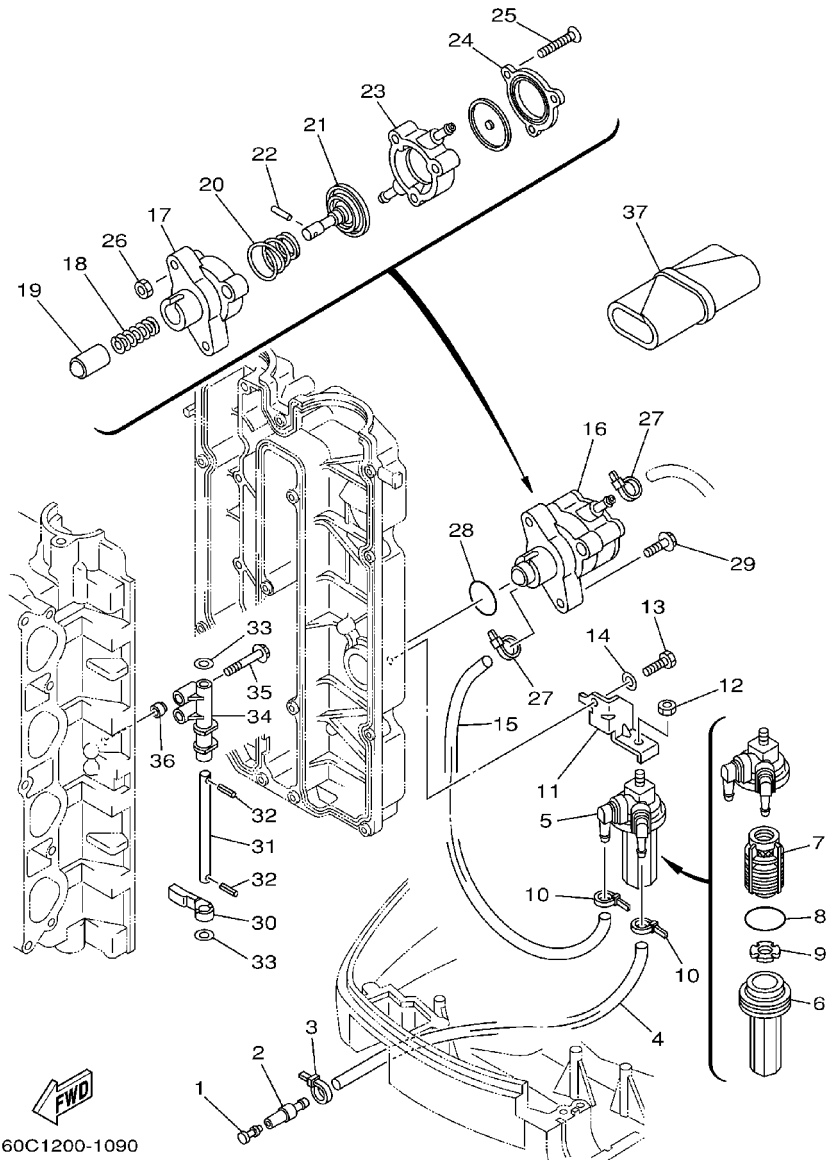


67F1300-2090

| REF. NO. | PART NO. NO. PIECES | DESCRIPTION DESCRIPTION | | | REMARKS REMARQUES |
|----------|---------------------|---|-----|------|-------------------|
| | | | F80 | F100 | |
| 1 | 67F-1412A-00 | WIRE HARNESS ASSY FAISCEAU DE FILS COMPLET | | 1 | |
| 2 | 67F-14349-20 | PIPE DURITE | | 2 | |
| 3 | 67F-14349-00 | PIPE DURITE | | 4 | |
| 4 | 67F-14585-00 | ROD, CHOKE TRINGLE, STARTER | | 1 | |
| 5 | 68F-24356-00 | CLIP, PIPE 1 JONC, TUBE 1 | | 13 | |
| 6 | 90465-11M59 | CLAMP BRIDE | | 3 | |
| 7 | 60C-14294-00 | HOSE DURITE | | 2 | |
| 8 | 60C-14298-00 | PIPE DURITE | | 1 | |
| 9 | 67F-14348-00 | PIPE 1 DURITE | | 1 | |
| 10 | 688-24378-00 | PIPE, JOINT 4 DURITE RACCORDMENT 4 | | 3 | |
| 11 | 90445-10M16 | HOSE (L120) DURITE (L120) | | 2 | |
| 12 | 90445-10MG6 | HOSE (L180) DURITE (L180) | | 1 | |
| 13 | 90445-10MG7 | HOSE (L350) DURITE (L350) | | 1 | |
| 14 | 90445-16M07 | HOSE (L80) DURITE (L80) | | 4 | |
| 15 | 90464-10M57 | CLAMP BRIDE | | 1 | |
| 16 | 90465-08M83 | CLAMP BRIDE | | 2 | |
| 17 | 97095-06012 | BOLT BOULON | | 2 | |
| 18 | 92995-06600 | WASHER RONDELLE | | 2 | |

FIG. 10 FUEL 1

CARBURANT 1



60C1200-1090

| REF. NO. | PART NO. NO. PIECES | DESCRIPTION DESCRIPTION | F80 | F100 | REMARKS REMARQUES |
|----------|---------------------|---|-----|------|-------------------|
| 1 | 689-85547-00 | DAMPER AMORTISSEUR | 1 | 1 | |
| 2 | 6R3-24377-00 | PIPE, JOINT 3 DURITE RACCORDEMENT | 1 | 1 | |
| 3 | 90465-11M10 | CLAMP BRIDE | 1 | 1 | |
| 4 | 90445-13M27 | HOSE (L950) DURITE (L950) | 1 | 1 | |
| 5 | 60C-24560-00 | FILTER ASSY ENS FILTRE | 1 | 1 | |
| 6 | 68V-24521-01 | .CUP, FILTER .CUVETTE, FILTRE | 1 | 1 | |
| 7 | 61N-24563-00 | .ELEMENT, FILTER .ELEMENT, FILTRE | 1 | 1 | |
| 8 | 93210-32738 | .O-RING .JOINT TORIQUE | 1 | 1 | |
| 9 | 68V-24469-01 | .FLOAT, WATER LEVEL .FLOTTEUR | 1 | 1 | |
| 10 | 90465-11M10 | CLAMP BRIDE | 2 | 2 | |
| 11 | 68V-24566-00 | BRACKET, FILTER SUPPORT, FILTRE | 1 | 1 | |
| 12 | 95380-08600 | NUT ECROU | 1 | 1 | |
| 13 | 97095-06016 | BOLT BOULON | 1 | 1 | |
| 14 | 92995-06600 | WASHER RONDELLE | 1 | 1 | |
| 15 | 90445-13M11 | HOSE (L300) DURITE (L300) | 1 | 1 | |
| 16 | 68V-24410-00 | FUEL PUMP ASSY POMPE A ESSENCE | 1 | 1 | |
| 17 | 68V-24412-00 | .BODY 1 .CORPS 1 | 1 | 1 | |
| 18 | 68V-24454-00 | .SPRING .RESSORT | 1 | 1 | |
| 19 | 68V-13131-00 | .PLUNGER .PLONGEUR | 1 | 1 | |
| 20 | 68V-24423-00 | .SPRING, DIAPHRAGM .RESSORT, DIAPHRAGME | 1 | 1 | |
| 21 | 68V-24411-00 | .DIAPHRAGM .DIAPHRAGME | 1 | 1 | |
| 22 | 68V-24374-00 | .PIN .GOUILLE | 1 | 1 | |
| 23 | 68V-24413-00 | .BODY 2 .CORPS 2 | 1 | 1 | |
| 24 | 68V-24414-00 | .BODY 3 .CORPS 3 | 1 | 1 | |
| 25 | 68V-24444-00 | .SCREW .VIS | 3 | 3 | |
| 26 | 68V-24149-00 | .NUT .ECROU | 3 | 3 | |
| 27 | 90465-11M10 | CLAMP BRIDE | 2 | 2 | |

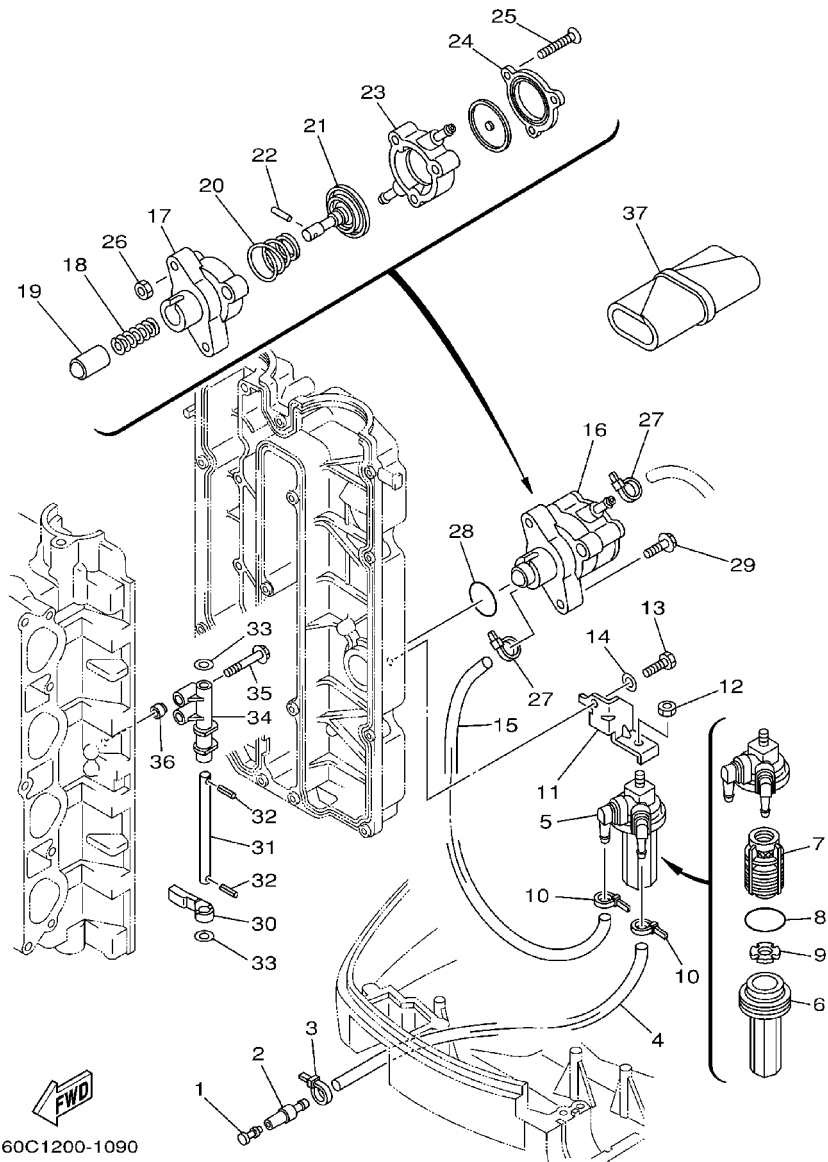


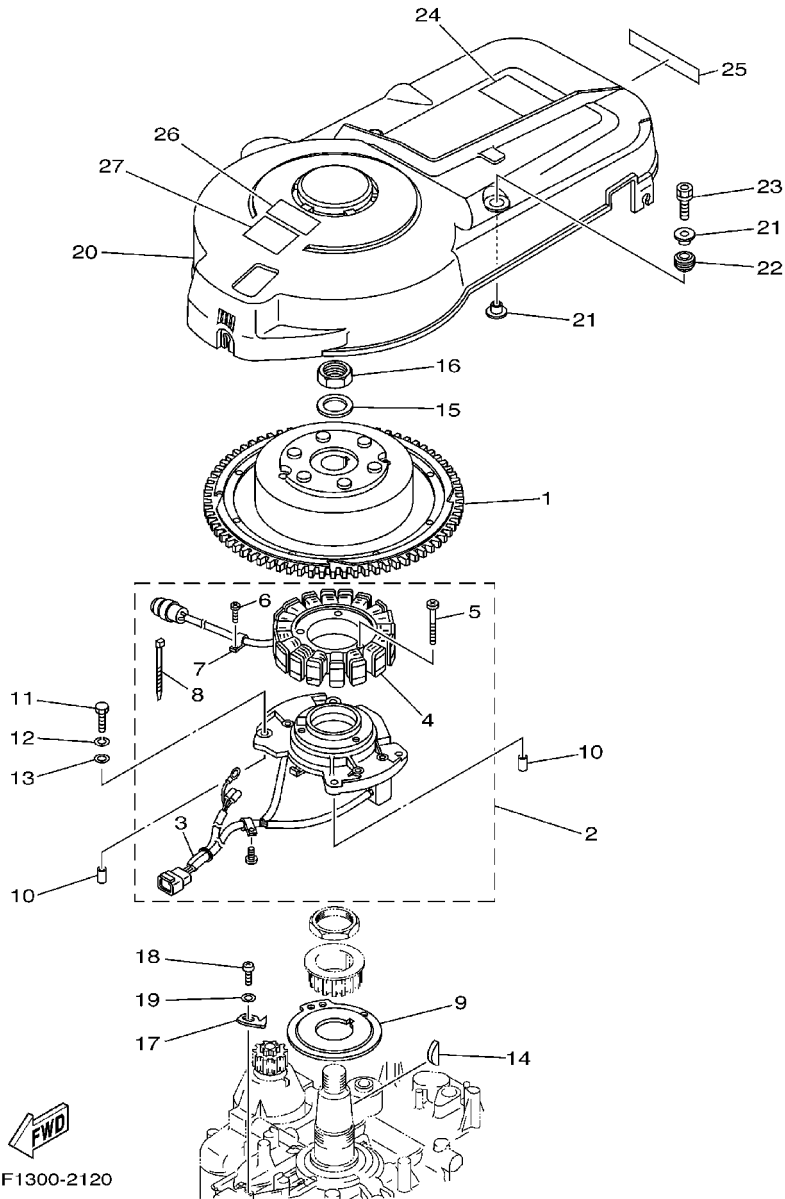
FIG. 10 FUEL 1

CARBURANT 1

| REF. NO. | PART NO. NO. PIECES | DESCRIPTION DESCRIPTION | F80 | F100 | REMARKS REMARQUES |
|----------|---------------------|--|-----|------|-------------------|
| 28 | 93210-30682 | O-RING JOINT TORIQUE | 1 | 1 | |
| 29 | 90119-06M83 | BOLT, WITH WASHER BOULON, AVEC RONDELLE | 2 | 2 | |
| 30 | 67F-24575-00 | LEVER, FUEL CHANGE LEVIER, D'ESSENCE | 1 | 1 | |
| 31 | 68V-24495-00 | SHAFT AXE | 1 | 1 | |
| 32 | 91609-25014 | PIN, SPRING GOUILLE, ELASTIQUE | 2 | 2 | |
| 33 | 90201-08M12 | WASHER, PLATE RONDELLE, PLATE | 2 | 2 | |
| 34 | 67F-24491-00 | BRACKET, FUEL PUMP SUPPORT, POMPE A ESSENCE | 1 | 1 | |
| 35 | 90119-07235 | BOLT, WITH WASHER BOULON, AVEC RONDELLE | 2 | 2 | |
| 36 | 91809-08006 | PIN, DOWEL GOUJON, D'ASSEMBLAGE | 2 | 2 | |
| 37 | 67F-28100-00 | TOOL KIT TROUSSE A OUTILS | 1 | 1 | |

FIG. 12 GENERATOR

GENERATRICE

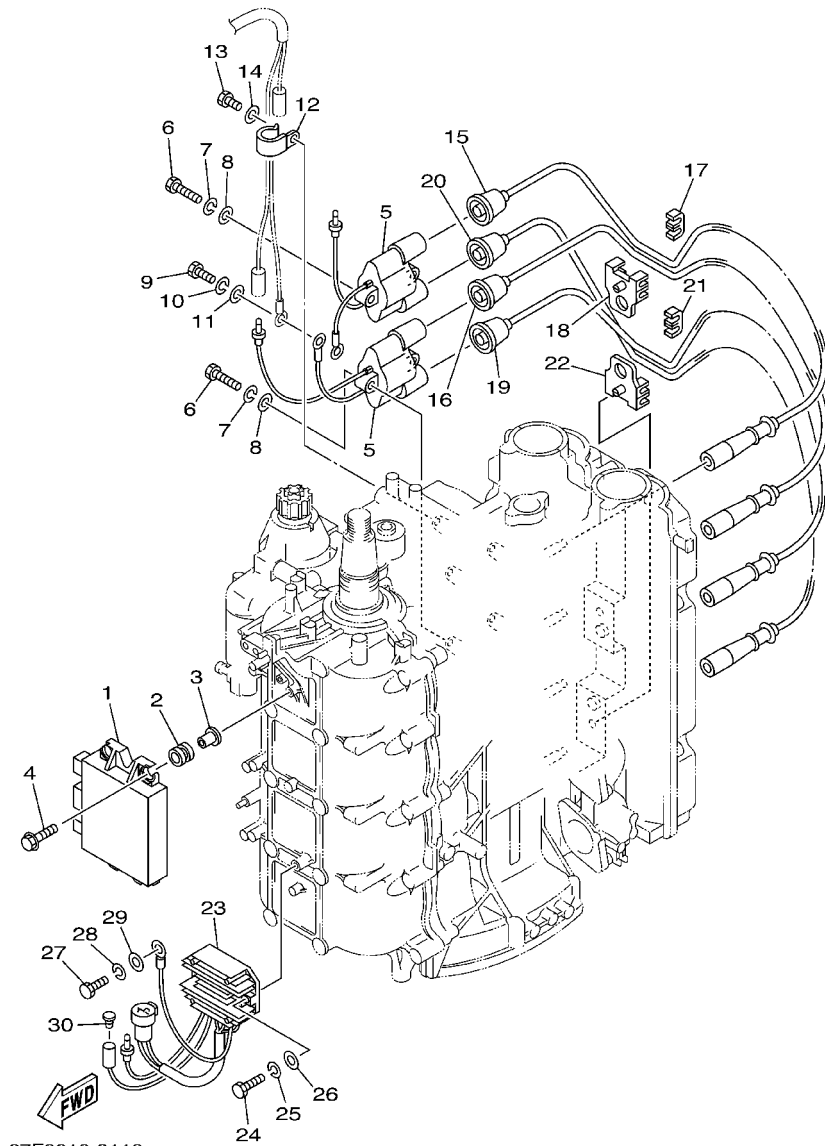


67F1300-2120

| REF. NO. | PART NO. NO. PIECES | DESCRIPTION DESCRIPTION | F80 | F100 | REMARKS REMARQUES |
|----------|---------------------|--|-----|------|-------------------|
| 1 | 67F-85550-00 | ROTOR ASSY ROTOR CPLT | 1 | 1 | |
| 2 | 67F-85560-01 | BASE ASSY ENS. FLASQUE | 1 | 1 | |
| 3 | 67F-85580-00 | .COIL, PULSER .BOBINE, PULSEUR | 1 | 1 | |
| 4 | 67F-85510-01 | .STATOR ASSY .STATOR CPLT | 1 | 1 | |
| 5 | 63D-81345-20 | .SCREW, WITH WASHER (M6X30) .VIS, AVEC RONDELLE (M6X30) | 3 | 3 | |
| 6 | 97607-04110 | .SCREW, PAN HEAD WITH WASHER .VIS HEXAGONAL | 1 | 1 | |
| 7 | 445-81328-20 | .CLAMP .COLLIER | 1 | 1 | |
| 8 | 66T-81328-00 | .CLAMP .COLLIER | 1 | 1 | |
| 9 | 67F-81673-00 | ROTOR ROTOR | 1 | 1 | |
| 10 | 99530-08012 | PIN, DOWEL GOUJON, D'ASSEMBLAGE | 2 | 2 | |
| 11 | 97095-06030 | BOLT BOULON | 4 | 4 | |
| 12 | 92995-06100 | WASHER, SPRING RONDELLE, GROWER | 4 | 4 | |
| 13 | 92995-06600 | WASHER RONDELLE | 4 | 4 | |
| 14 | 90280-05015 | KEY, WOODRUFF CLAVETTE, DEMI-LUNE | 1 | 1 | |
| 15 | 90201-25M02 | WASHER, PLATE RONDELLE, PLATE | 1 | 1 | |
| 16 | 90170-24M22 | NUT ECROU | 1 | 1 | |
| 17 | 67F-81332-00 | PLATE, TIMING PLATEAU, ALLUMAGE | 1 | 1 | |
| 18 | 97885-06010 | SCREW, PAN HEAD VIS, TETE TRONCONIQUE | 1 | 1 | |
| 19 | 92995-06600 | WASHER RONDELLE | 1 | 1 | |
| 20 | 67F-81337-01 | COVER, FLYWHEEL COUVERCLE, VOLANT | 1 | 1 | |
| 21 | 90387-06M71 | COLLAR COLLERETTE | 4 | 4 | |
| 22 | 90480-15M31 | GROMMET PASSE-FIL | 2 | 2 | |
| 23 | 90119-06M92 | BOLT, WITH WASHER BOULON, AVEC RONDELLE | 2 | 2 | |
| 24 | 67F-12138-60 | MARK, CAUTION MAKER | 1 | 1 | |
| 25 | 67F-13437-60 | MARK, CAUTION MAKER | 1 | 1 | |
| 26 | 6A1-83625-41 | MARK 5 ETIQUETTE 5 | 1 | 1 | |
| 27 | 6A1-83625-51 | MARK 5 ETIQUETTE 5 | 1 | 1 | |

FIG. 13 ELECTRICAL 1

PARTIE ELECTRIQUE 1

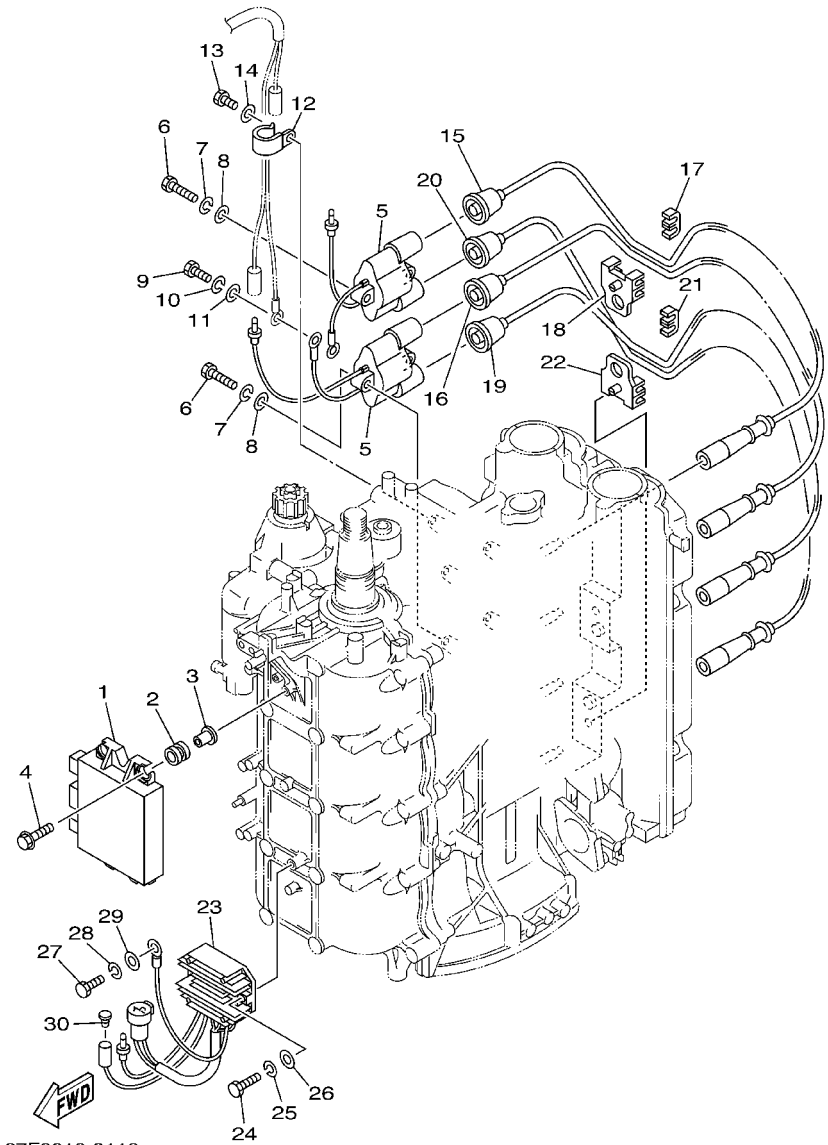


67F0010-9110

| REF. NO. | PART NO. NO. PIECES | DESCRIPTION DESCRIPTION | F80 | F100 | REMARKS REMARQUES |
|----------|---------------------|--|-----|------|-------------------|
| 1 | 67F-85540-01 | C.D.I. UNIT ASSY BLOC C.D.I. | 1 | 1 | |
| 2 | 68V-82317-00 | DAMPER, IGNITION COIL AMORTISSEUR, BOBINE D'ALLUM | 4 | 4 | |
| 3 | 624-42542-00 | PIPE TUYAU | 4 | 4 | |
| 4 | 90119-06M59 | BOLT, WITH WASHER BOULON, AVEC RONDELLE | 4 | 4 | |
| 5 | 67F-85570-00 | IGNITION COIL ASSY BOBINE D'ALLUMAGE (ENS.) | 2 | 2 | |
| 6 | 97095-06030 | BOLT BOULON | 4 | 4 | |
| 7 | 92995-06100 | WASHER, SPRING RONDELLE, GROWER | 4 | 4 | |
| 8 | 92995-06600 | WASHER RONDELLE | 4 | 4 | |
| 9 | 97095-06020 | BOLT BOULON | 1 | 1 | |
| 10 | 92995-06100 | WASHER, SPRING RONDELLE, GROWER | 1 | 1 | |
| 11 | 92995-06600 | WASHER RONDELLE | 1 | 1 | |
| 12 | 90465-06M86 | CLAMP BRIDE | 1 | 1 | |
| 13 | 97095-06012 | BOLT BOULON | 1 | 1 | |
| 14 | 92995-06600 | WASHER RONDELLE | 1 | 1 | |
| 15 | 67F-82341-00 | CORD, HIGH TENSION 1 CORDON, HAUTE-TENSION 1 | 1 | 1 | #1 |
| 16 | 67F-82342-00 | CORD, HIGH TENSION 2 CORDON, HAUTE-TENSION 2 | 1 | 1 | #2 |
| 17 | 67F-82361-00 | CLAMP, CORD COLLIER, CORDON | 1 | 1 | |
| 18 | 67F-82362-00 | CLAMP, CORD 2 COLLIER, CABLE 2 | 1 | 1 | |
| 19 | 67F-82343-00 | CORD, HIGH TENSION 3 CORDON, HAUTE-TENSION 3 | 1 | 1 | #3 |
| 20 | 67F-82344-00 | CORD, HIGH TENSION 4 CABLE, HAUTE TENSION 4 | 1 | 1 | #4 |
| 21 | 67F-82361-00 | CLAMP, CORD COLLIER, CORDON | 1 | 1 | |
| 22 | 67F-82362-00 | CLAMP, CORD 2 COLLIER, CABLE 2 | 1 | 1 | |
| 23 | 67F-81960-10 | RECTIFIER & REGULATOR ASSY REDRESSEUR REGULATEUR CPLT | 1 | 1 | |
| 24 | 97095-06025 | BOLT BOULON | 2 | 2 | |
| 25 | 92995-06100 | WASHER, SPRING RONDELLE, GROWER | 2 | 2 | |
| 26 | 92995-06600 | WASHER RONDELLE | 2 | 2 | |
| 27 | 97095-06020 | BOLT BOULON | 1 | 1 | |

FIG. 13 ELECTRICAL 1

PARTIE ELECTRIQUE 1

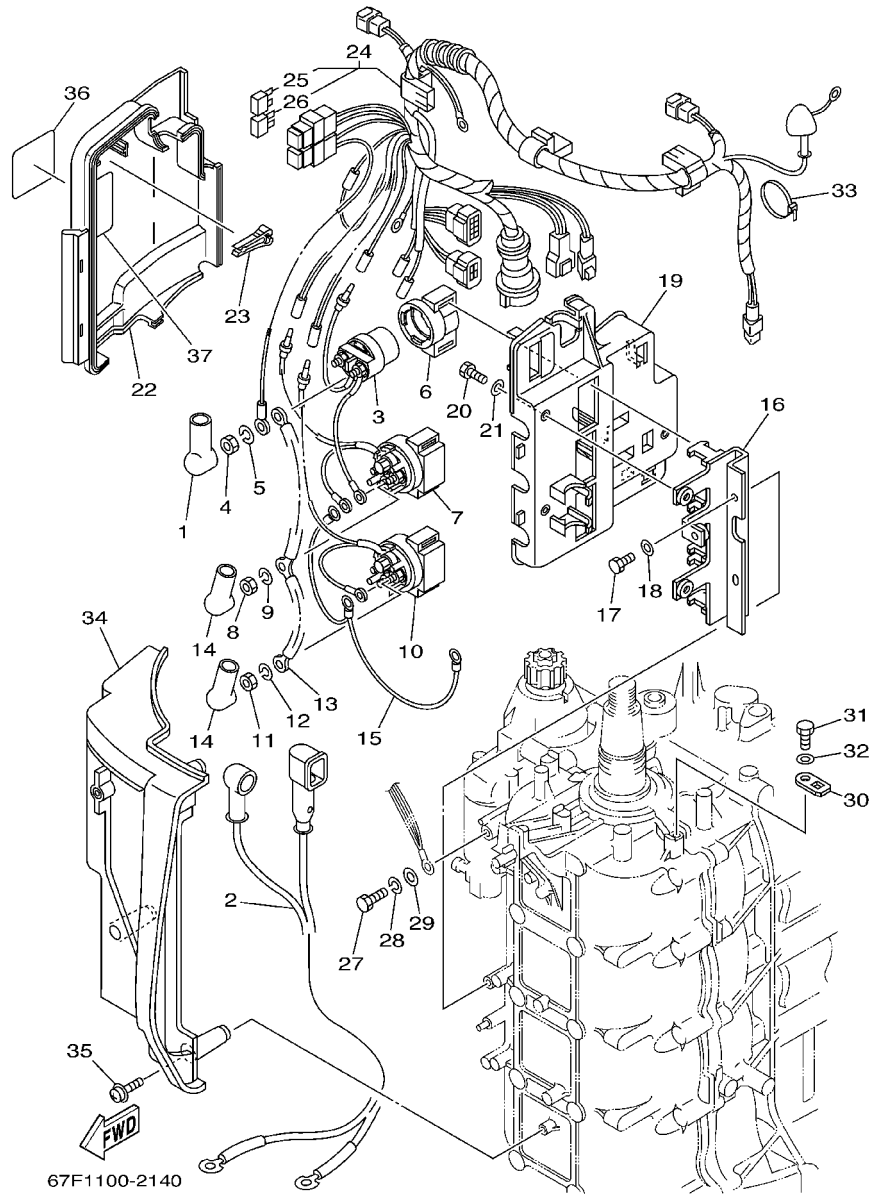


67F0010-9110

| REF. NO. | PART NO. NO. PIECES | DESCRIPTION DESCRIPTION | F80 | F100 | REMARKS REMARQUES |
|----------|---------------------|------------------------------------|-----|------|-------------------|
| 28 | 92995-06100 | WASHER, SPRING RONDELLE, GROWER | 1 | 1 | |
| 29 | 92995-06600 | WASHER RONDELLE | 1 | 1 | |
| 30 | 703-82119-00 | COVER, LEAD WIRE GARNITURE, FIL | 1 | 1 | |
| ----- | | | | | |
| ----- | | | | | |
| ----- | | | | | |
| ----- | | | | | |
| ----- | | | | | |
| ----- | | | | | |
| ----- | | | | | |
| ----- | | | | | |
| ----- | | | | | |
| ----- | | | | | |

FIG. 14 ELECTRICAL 2

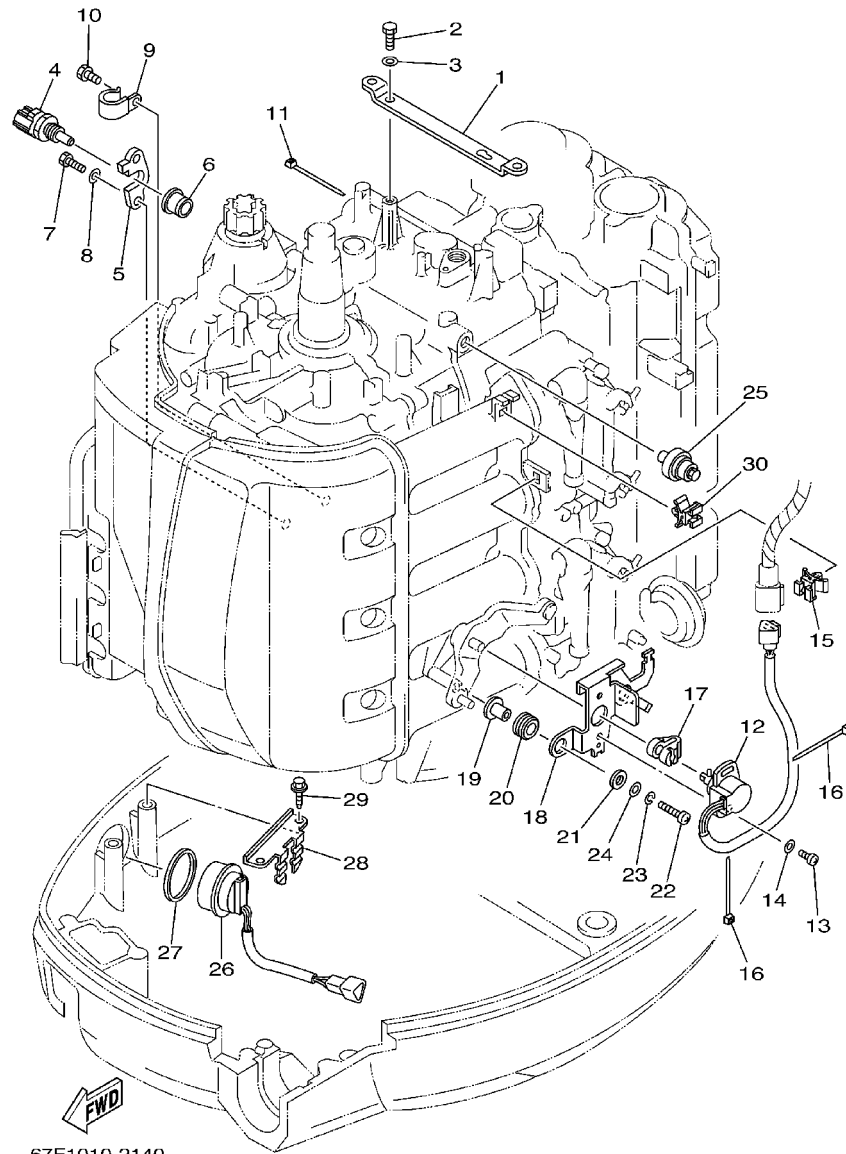
PARTIE ELECTRIQUE 2



| REF. NO. | PART NO. NO. PIECES | DESCRIPTION DESCRIPTION | | | REMARKS REMARQUES |
|----------|---------------------|--|-----|------|-------------------|
| | | | F80 | F100 | |
| 1 | 682-82119-01 | COVER, LEAD WIRE GARNITURE, FIL | 2 | 2 | |
| 2 | 67F-82105-00 | WIRE HARNESS FAISCEAU DE FILS | 1 | 1 | |
| 3 | 6G1-8194A-10 | RELAY RELAIS | 1 | 1 | |
| 4 | 90170-06M30 | NUT ECROU | 2 | 2 | |
| 5 | 90204-06M00 | WASHER, SPRING RONDELLE, GROWER | 2 | 2 | |
| 6 | 6G1-81952-00 | HOLDER, RELAY SUPPORT, RELAIS | 1 | 1 | |
| 7 | 6E5-8195B-01 | RELAY ASSY RELAIS COMPLET | 1 | 1 | |
| 8 | 90170-06M30 | NUT ECROU | 3 | 3 | |
| 9 | 90204-06M00 | WASHER, SPRING RONDELLE, GROWER | 3 | 3 | |
| 10 | 6E5-8195C-01 | RELAY ASSY RELAIS COMPLET | 1 | 1 | |
| 11 | 90170-06M30 | NUT ECROU | 3 | 3 | |
| 12 | 90204-06M00 | WASHER, SPRING RONDELLE, GROWER | 3 | 3 | |
| 13 | 66T-87149-00 | CONNECTOR RACCORD | 1 | 1 | |
| 14 | 6G5-82119-00 | COVER, LEAD WIRE GARNITURE, FIL | 2 | 2 | |
| 15 | 67F-82116-00 | WIRE, MINUS LEAD FIL, NEGATIF | 1 | 1 | |
| 16 | 67F-81953-00 | STAY, RELAY SUPPORT, RELAIS | 1 | 1 | |
| 17 | 97095-06016 | BOLT BOULON | 2 | 2 | |
| 18 | 92995-06600 | WASHER RONDELLE | 2 | 2 | |
| 19 | 67F-81948-00 | BRACKET JOINT TORIQUE | 1 | 1 | |
| 20 | 97095-06016 | BOLT BOULON | 3 | 3 | |
| 21 | 92995-06600 | WASHER RONDELLE | 3 | 3 | |
| 22 | 67F-81942-00 | COVER COUVERCLE | 1 | 1 | |
| 23 | 67F-2812A-00 | PULLER, FUSE TENDEUR, FUSIBLE | 1 | 1 | |
| 24 | 67F-82590-02 | WIRE HARNESS ASSY FAISCEAU DE FILS COMPLET | 1 | 1 | |
| 25 | 67F-82151-00 | .FUSE (20A) .FUSIBLE (20A) | 2 | 2 | |
| 26 | 67F-82151-10 | .FUSE (30A) .FUSIBLE (30A) | 2 | 2 | |
| 27 | 97095-06020 | BOLT BOULON | 1 | 1 | |

FIG. 15 ELECTRICAL 3

PARTIE ELECTRIQUE 3

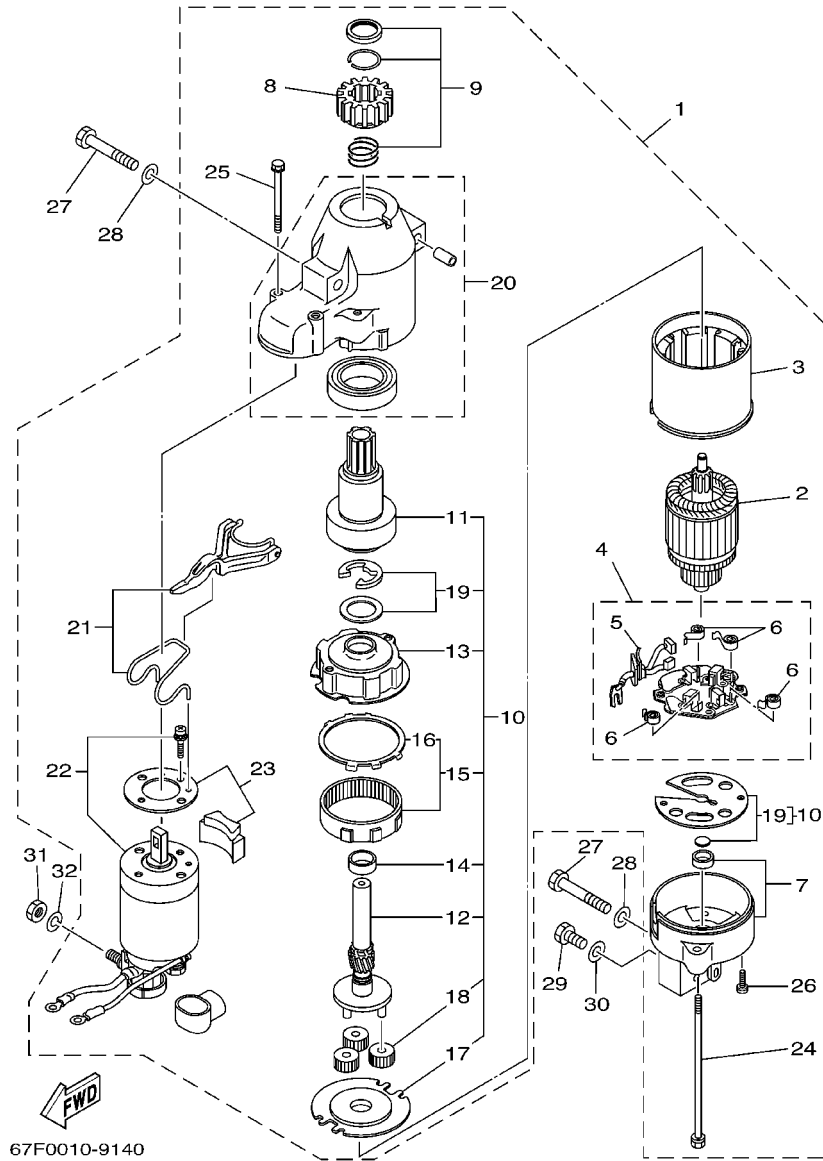


67F1010-2140

| REF. NO. | PART NO. NO. PIECES | DESCRIPTION DESCRIPTION | F80 | F100 | REMARKS REMARQUES |
|----------|---------------------|--|-----|------|-------------------|
| 1 | 67F-8132G-01 | PLATE PLAQUE | 1 | 1 | |
| 2 | 97095-06016 | BOLT BOULON | 2 | 2 | |
| 3 | 92995-06600 | WASHER RONDELLE | 2 | 2 | |
| 4 | 67F-85790-00 | THERMOSENSOR ASSY SENSITOMETRE | 1 | 1 | |
| 5 | 67F-85757-00 | RETAINER ARRETOIR | 1 | 1 | |
| 6 | 68V-85753-00 | GASKET, SENDER UNIT JOINT, DE PERCEPTION | 1 | 1 | |
| 7 | 97095-06016 | BOLT BOULON | 2 | 2 | |
| 8 | 92995-06600 | WASHER RONDELLE | 2 | 2 | |
| 9 | 90465-06M86 | CLAMP BRIDE | 1 | 1 | |
| 10 | 97095-06010 | BOLT BOULON | 1 | 1 | |
| 11 | 90465-11M10 | CLAMP BRIDE | 1 | 1 | |
| 12 | 61A-85885-00 | THROTTLE SENSOR ASSY SENSITOMETRE (ENS.) | 1 | 1 | |
| 13 | 97885-05010 | SCREW, PAN HEAD VIS, TETE TRONCONIQUE | 2 | 2 | |
| 14 | 92995-05600 | WASHER RONDELLE | 2 | 2 | |
| 15 | 90464-09M47 | CLAMP BRIDE | 1 | 1 | |
| 16 | 90465-11M10 | CLAMP BRIDE | 2 | 2 | |
| 17 | 6K7-14573-00 | LEVER LEVIER | 1 | 1 | |
| 18 | 67F-83635-00 | BRACKET SUPPORT | 1 | 1 | |
| 19 | 90387-05M00 | COLLAR COLLERETTE | 2 | 2 | |
| 20 | 90480-10M23 | GROMMET PASSE-FIL | 2 | 2 | |
| 21 | 90201-05M03 | WASHER, PLATE RONDELLE, PLATE | 2 | 2 | |
| 22 | 97885-05025 | SCREW, PAN HEAD VIS, TETE TRONCONIQUE | 2 | 2 | |
| 23 | 92995-05100 | WASHER RONDELLE | 2 | 2 | |
| 24 | 92995-05600 | WASHER RONDELLE | 2 | 2 | |
| 25 | 68V-82504-00 | OIL PRESSURE SWITCH ASSY CONTACTEUR DE PRESSION D'HUILE | 1 | 1 | |
| 26 | 63D-82563-10 | TRIM & TILT SWITCH ASSY INCLINER ET PARER COMMUTATEUR | 1 | 1 | |
| 27 | 6E5-82587-00 | GASKET JOINT | 1 | 1 | |

FIG. 16 STARTING MOTOR

DEMARREUR ELECTRIQUE

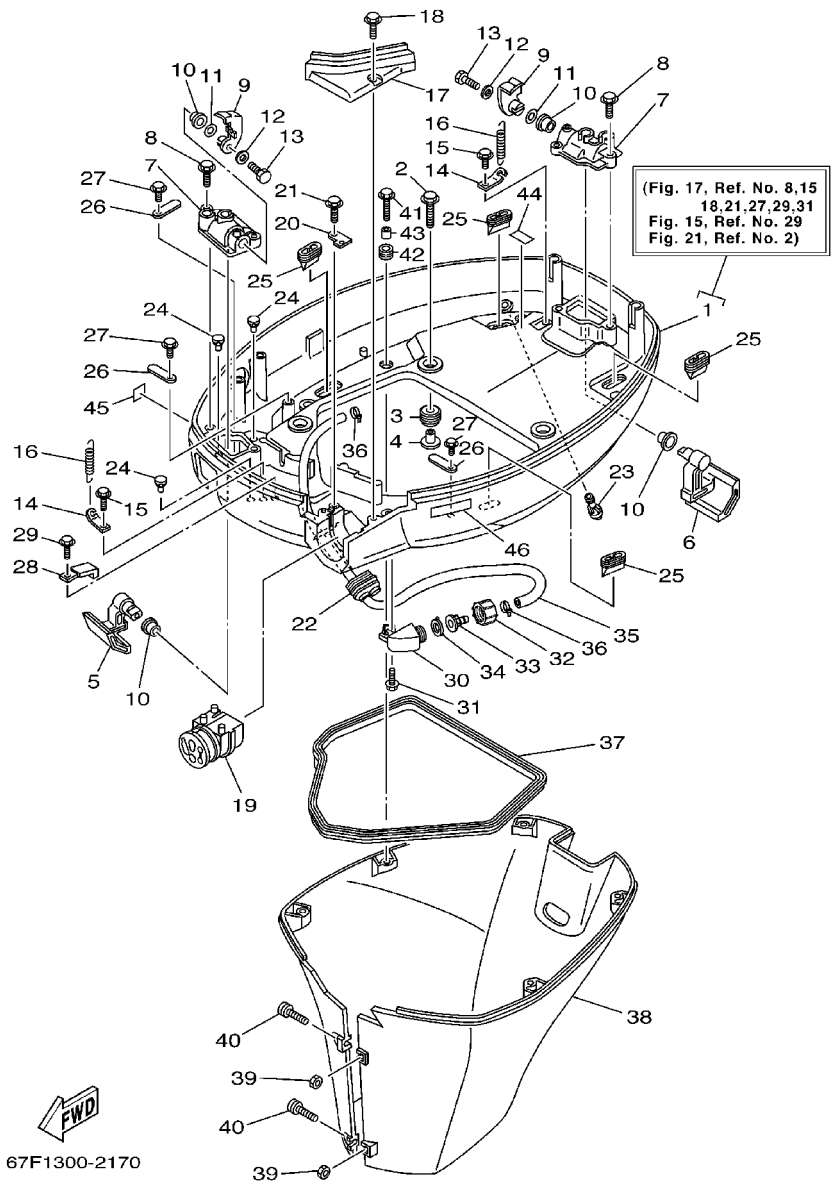


67F0010-9140

| REF. NO. | PART NO. NO. PIECES | DESCRIPTION DESCRIPTION | F80 | F100 | REMARKS REMARQUES |
|----------|---------------------|---|-----|------|-------------------|
| 1 | 67F-81800-02 | STARTING MOTOR ASSY DEMARREUR ELECTRIQUE COMPLET | 1 | 1 | |
| 2 | 67F-81850-00 | .ARMATURE ASSY .INDUIT | 1 | 1 | |
| 3 | 67F-81810-00 | .STATOR ASSY .STATOR COMPLET | 1 | 1 | |
| 4 | 67F-81840-00 | .BRUSH HOLDER ASSY .SUPPORT DE CHARBON | 1 | 1 | |
| 5 | 67F-81801-00 | .BRUSH SET .CHARBON | 1 | 1 | |
| 6 | 67F-81813-00 | .SPRING, BRUSH .RESSORT, DE CHARBON | 4 | 4 | |
| 7 | 67F-81820-00 | .REAR BRACKET ASSY .SUPPORT ARRIERE COMPLET | 1 | 1 | |
| 8 | 67F-81808-00 | .PINION ASSY .PIGNON | 1 | 1 | |
| 9 | 67F-81857-00 | .PINION STOPPER SET .BUTEE PIGNON | 1 | 1 | |
| 10 | 67F-81807-00 | .GEAR ASSY, STARTING MOTOR .PIGNON, DEMARREUR ELECTRIQUE | 1 | 1 | |
| 11 | 67F-81832-00 | .CLUTCH, OVER RUN .EMBRAYAGE, ROUE LIBRE | 1 | 1 | |
| 12 | 67F-81836-00 | .SHAFT, PINION .AXE, PIGNON | 1 | 1 | |
| 13 | 67F-81821-00 | .BRACKET, CENTER 1 .SUPPORT, CENTRE 1 | 1 | 1 | |
| 14 | 67F-81841-00 | .BEARING .ROULEMENT | 1 | 1 | |
| 15 | 67F-81891-00 | .GEAR, RING .ROUE DENTEE | 1 | 1 | |
| 16 | 67F-8183R-00 | .GASKET .JOINT | 1 | 1 | |
| 17 | 67F-81830-00 | .BRACKET, CENTER 2 .SUPPORT, CENTRE 2 | 1 | 1 | |
| 18 | 67F-8183T-00 | .GEAR, IDLER .PIGNON, INTERMEDIAIRE | 3 | 3 | |
| 19 | 67F-81809-00 | .WASHER KIT .JEU DE RONDELLES | 1 | 1 | |
| 20 | 67F-81842-00 | .COVER .COUVERCLE | 1 | 1 | |
| 21 | 67F-81839-00 | .LEVER ASSY .LEVIER COMPLET | 1 | 1 | |
| 22 | 67F-81941-01 | .STARTER RELAY ASSY .LANCEUR RELAIS (ENS.) | 1 | 1 | |
| 23 | 67F-81869-00 | .COVER, DUST .COUVERCLE, POUSSIERE | 1 | 1 | |
| 24 | 6K7-81826-10 | .BOLT .BOULON | 2 | 2 | |
| 25 | 67F-81828-00 | .BOLT 2 .RONDELLE, BUTEE 2 | 2 | 2 | |
| 26 | 67F-81846-00 | .SCREW .VIS | 2 | 2 | |
| 27 | 97013-08045 | BOLT BOULON | 3 | 3 | |

FIG. 17 BOTTOM COWLING

CAPOT INFERIEUR

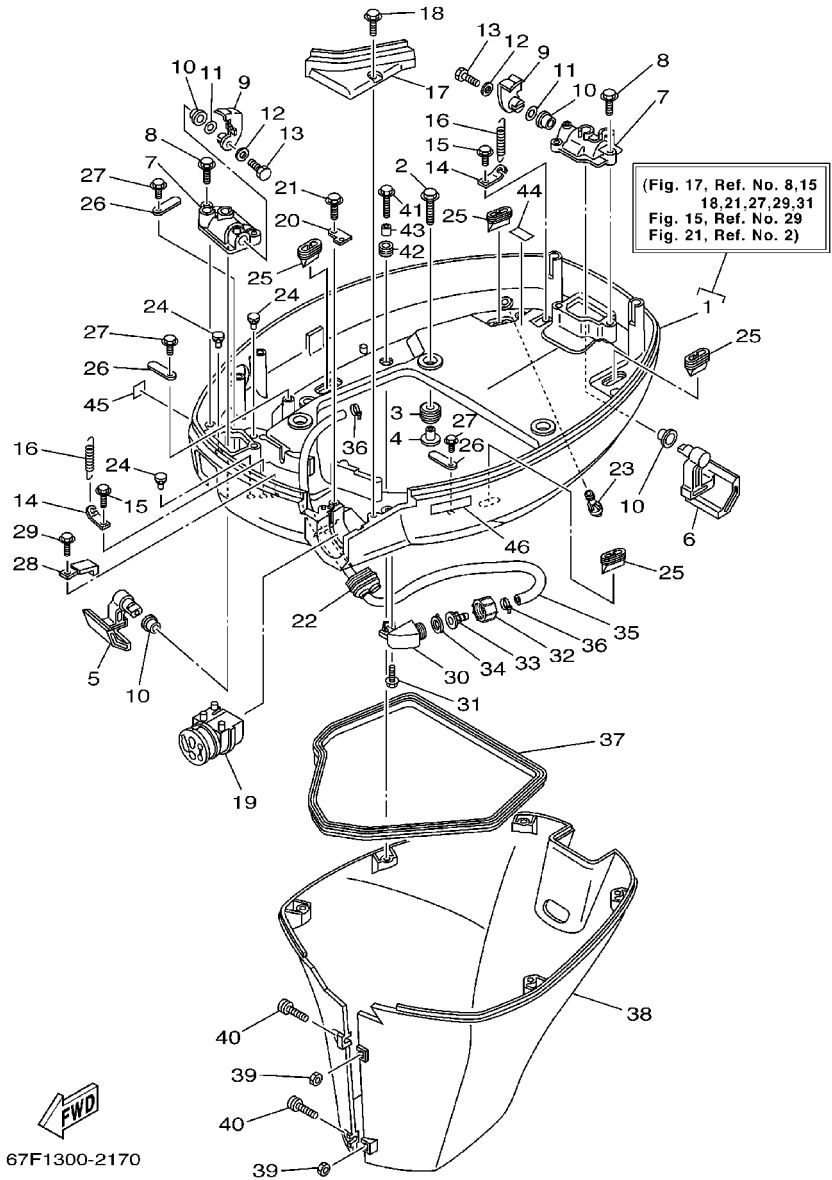


67F1300-2170

| REF. NO. | PART NO. NO. PIECES | DESCRIPTION DESCRIPTION | F80 | F100 | REMARKS REMARQUES |
|----------|---------------------|--|-----|------|-------------------|
| 1 | 67F-42710-00-4D | BOTTOM COWLING ASSY ENS. EMBASE | 1 | 1 | |
| 2 | 90119-08M22 | BOLT, WITH WASHER BOULON, AVEC RONDELLE | 4 | 4 | |
| 3 | 90480-22M15 | GROMMET PASSE-FIL | 4 | 4 | |
| 4 | 90387-08M37 | COLLAR COLLERETTE | 4 | 4 | |
| 5 | 67F-42815-00-4D | LEVER, CLAMP LEVIER, PRESSE | 1 | 1 | |
| 6 | 67F-42816-00-4D | LEVER, CLAMP LEVIER, PRESSE | 1 | 1 | |
| 7 | 67F-42828-00-5B | PLATE, CLAMP PLAQUE, PRESSE | 2 | 2 | |
| 8 | 90109-06M82 | BOLT BOULON | 4 | 4 | |
| 9 | 67F-42818-00 | LEVER, CLAMP LEVIER, PRESSE | 2 | 2 | |
| 10 | 90386-15M73 | BUSH DOUILLE | 4 | 4 | |
| 11 | 90206-15M18 | WASHER, WAVE RONDELLE, ONDULEE | 2 | 2 | |
| 12 | 90201-06068 | WASHER, PLATE RONDELLE, PLATE | 2 | 2 | |
| 13 | 97095-06016 | BOLT BOULON | 2 | 2 | |
| 14 | 64D-43144-00 | HOOK, SPRING CROCHET | 2 | 2 | |
| 15 | 90109-06M86 | BOLT BOULON | 2 | 2 | |
| 16 | 90506-16M34 | SPRING, TENSION RESSORT, TENSION | 2 | 2 | |
| 17 | 67F-42738-00-5B | PLATE, FITTING ETRIER | 1 | 1 | |
| 18 | 90109-06M96 | BOLT BOULON | 2 | 2 | |
| 19 | 68V-42725-00 | GROMMET PASSE-FIL | 1 | 1 | |
| 20 | 67F-42756-00 | STAY, CLAMP SUPPORT, COLLIER | 1 | 1 | |
| 21 | 90109-06M86 | BOLT BOULON | 1 | 1 | |
| 22 | 6H1-42726-20 | GROMMET PASSE-FIL | 1 | 1 | FOR FLUSHING KIT |
| 23 | 6H3-44391-01 | NIPPLE, HOSE RACCORD D'ESSENCE | 1 | 1 | |
| 24 | 6H4-42748-00 | GROMMET PASSE-FIL | 3 | 3 | |
| 25 | 67F-42717-00 | RUBBER, SEAL 2 JOINT EN CAOUTCHOUC 2 | 4 | 4 | |
| 26 | 6E5-82588-00 | PLATE PLAQUE | 3 | 3 | |
| 27 | 90109-06M81 | BOLT BOULON | 3 | 3 | |

FIG. 17 BOTTOM COWLING

CAPOT INFERIEUR



67F1300-2170

| REF. NO. | PART NO. NO. PIECES | DESCRIPTION DESCRIPTION | F80 | F100 | REMARKS REMARQUES |
|----------|---------------------|--|-----|------|-------------------|
| 28 | 90465-08M23 | CLAMP BRIDE | 1 | 1 | |
| 29 | 90109-06M86 | BOLT BOULON | 1 | 1 | |
| 30 | 67F-12572-00 | ADAPTER ADAPTATEUR | 1 | 1 | FLUSHING KIT |
| 31 | 90109-06M82 | BOLT BOULON | 1 | 1 | |
| 32 | 6R3-12581-00 | JOINT, HOSE 1 JOINT DE TUYAU | 1 | 1 | FLUSHING KIT |
| 33 | 6R3-12582-00 | JOINT, HOSE 2 RACCORD DE TUYAU 1 | 1 | 1 | FLUSHING KIT |
| 34 | 6R3-12583-00 | GASKET, HOSE JOINT JOINT | 1 | 1 | FLUSHING KIT |
| 35 | 67F-24312-00 | PIPE 2 DURITE 2 | 1 | 1 | FLUSHING KIT |
| 36 | 90465-11M10 | CLAMP BRIDE | 2 | 2 | FLUSHING KIT |
| 37 | 61A-42716-00 | RUBBER, SEAL 1 JOINT EN CAOUTCHOUC 1 | 1 | 1 | |
| 38 | 67F-42741-00-4D | APRON CAPOT LATERAL | 1 | 1 | |
| 39 | 95380-06600 | NUT, HEXAGON ECROU | 2 | 2 | |
| 40 | 90159-06M28 | SCREW, WITH WASHER VIS, AVEC RONDELLE | 2 | 2 | |
| 41 | 90109-06M80 | BOLT BOULON | 5 | 5 | |
| 42 | 90480-13M24 | GROMMET PASSE-FIL | 5 | 5 | |
| 43 | 90387-06M43 | COLLAR COLLERETTE | 5 | 5 | |
| 44 | 67F-82377-00 | LABEL ETIQUETTE | 1 | 1 | |
| 45 | 6A1-28176-00 | LABEL, CAUTION ETIQUETTE, RECOMMANDATION | 1 | 1 | |
| 46 | 6E3-8257H-00 | PLATE, MARK PLAQUE, ADHESIF | 1 | 1 | |

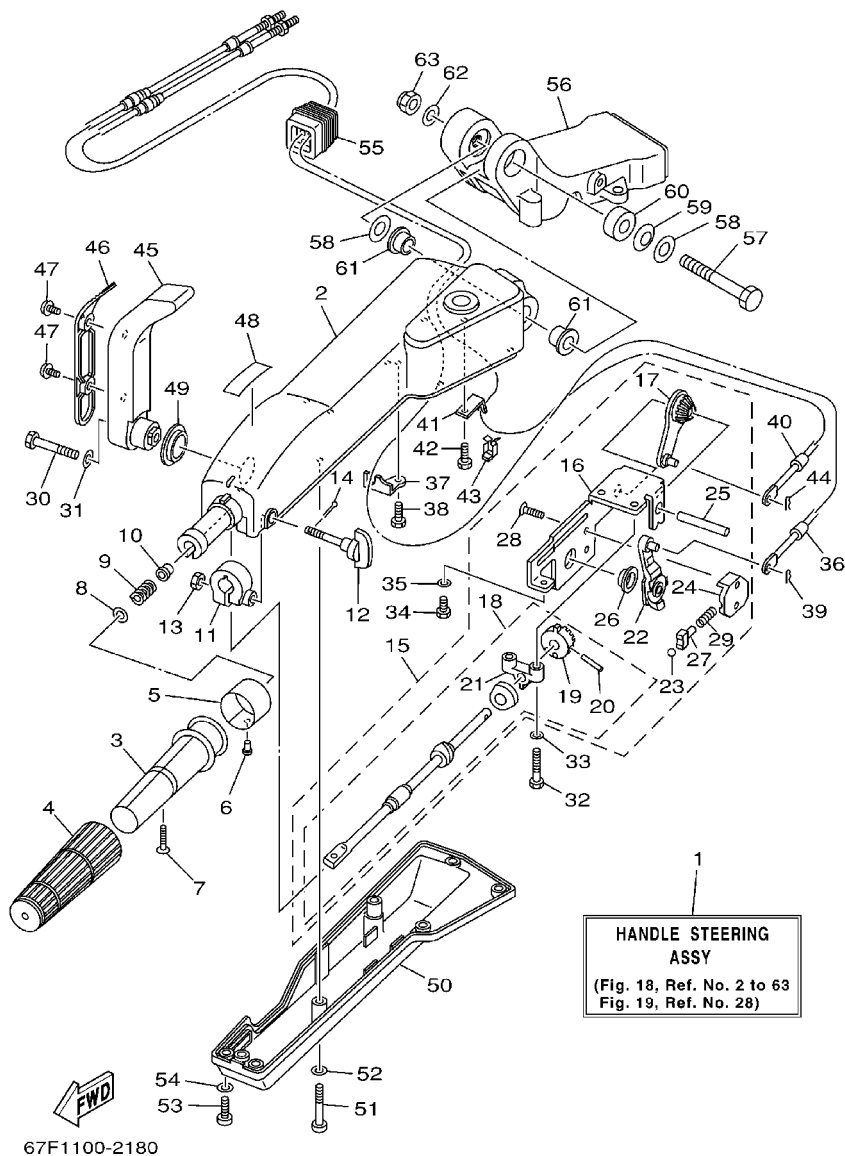


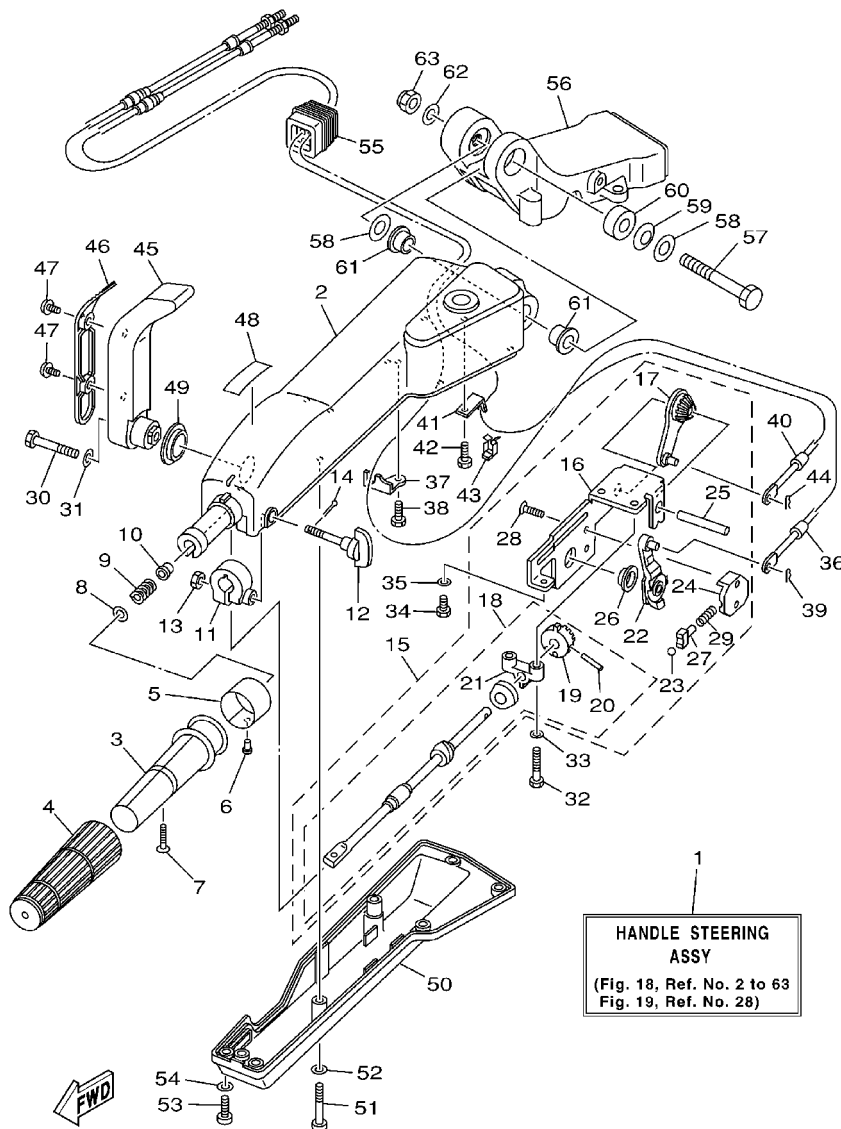
FIG. 18 STEERING 1

DIRECTION 1

| REF. NO. | PART NO. NO. PIECES | DESCRIPTION DESCRIPTION | F80 | F100 | REMARKS REMARQUES |
|----------|---------------------|--|-----|------|-------------------|
| 1 | 67G-W0084-11-4D | HANDLE STEERING ASSY BARRE FRANCHE (ENS.) | 1 | 1 | AP |
| 2 | 67G-42111-00-4D | HANDLE, STEERING POIGNEE | 1 | 1 | |
| 3 | 664-42119-00 | GRIP, STEERING HANDLE POIGNEE, BARRE FRANCHE | 1 | 1 | |
| 4 | 6G1-42177-00 | RUBBER, HANDLE CAOUTCHOUC, POIGNEE | 1 | 1 | |
| 5 | 6H2-42137-00 | INDICATOR, THROTTLE INDICATEUR, ACCELERATION | 1 | 1 | |
| 6 | 90269-02M09 | RIVET RIVET | 1 | 1 | |
| 7 | 90149-05M13 | SCREW VIS | 1 | 1 | |
| 8 | 92903-10600 | WASHER, PLATE RONDELLE, PLATE | 1 | 1 | |
| 9 | 90501-23215 | SPRING, COMPRESSION RESSORT, COMPRESSION | 1 | 1 | |
| 10 | 90386-08032 | BUSH DOUILLE | 1 | 1 | |
| 11 | 63D-42126-00 | FRICITION, STEERING HANDLE GRIP CUVETTE, POIGNEE DE DIRECTION | 1 | 1 | |
| 12 | 63D-48154-00 | KNOB, THROTTLE BOUTON, ACCELERATEUR | 1 | 1 | |
| 13 | 95380-06600 | NUT, HEXAGON ECROU | 1 | 1 | |
| 14 | 91490-20010 | PIN, COTTER GOUPILLE, FENDUE | 1 | 1 | |
| 15 | 67G-44100-10 | SHIFT LINK ASSY MAILLON DE SELECTEUR | 1 | 1 | |
| 16 | 67G-44104-00 | .PLATE COMP. .PLAQUE COMPLET | 1 | 1 | |
| 17 | 67G-48261-00 | .ARM, THROTTLE .BRAS, ACCELERATION | 1 | 1 | |
| 18 | 67G-42115-10 | .SHAFT, STEERING HANDLE .AXE, BARRE FRANCHE | 1 | 1 | |
| 19 | 650-42152-00-94 | ..GEAR ..PIGNON | 1 | 1 | |
| 20 | 91690-30025 | ..PIN, SPRING ..GOUPILLE, ELASTIQUE | 1 | 1 | |
| 21 | 67G-42159-00 | ..STAY ..SUPPORT | 1 | 1 | |
| 22 | 67G-44113-00 | .CAM PLATE, HANDLE .CAME, VERROUILLAGE | 1 | 1 | |
| 23 | 63D-48236-00 | .ROLLER, DETENT .POULIE | 1 | 1 | |
| 24 | 63D-48119-00 | .COVER .COQUILLE | 1 | 1 | |
| 25 | 67G-42153-00 | .SHAFT, THROTTLE CONTROL .AXE, COMMANDE D'ACCELERATION | 1 | 1 | |
| 26 | 67G-44132-00 | .BUSHING .COUSSINET | 1 | 1 | |
| 27 | 63D-48237-00 | .ADAPTOR .ADAPTEUR | 1 | 1 | |

FIG. 18 STEERING 1

DIRECTION 1

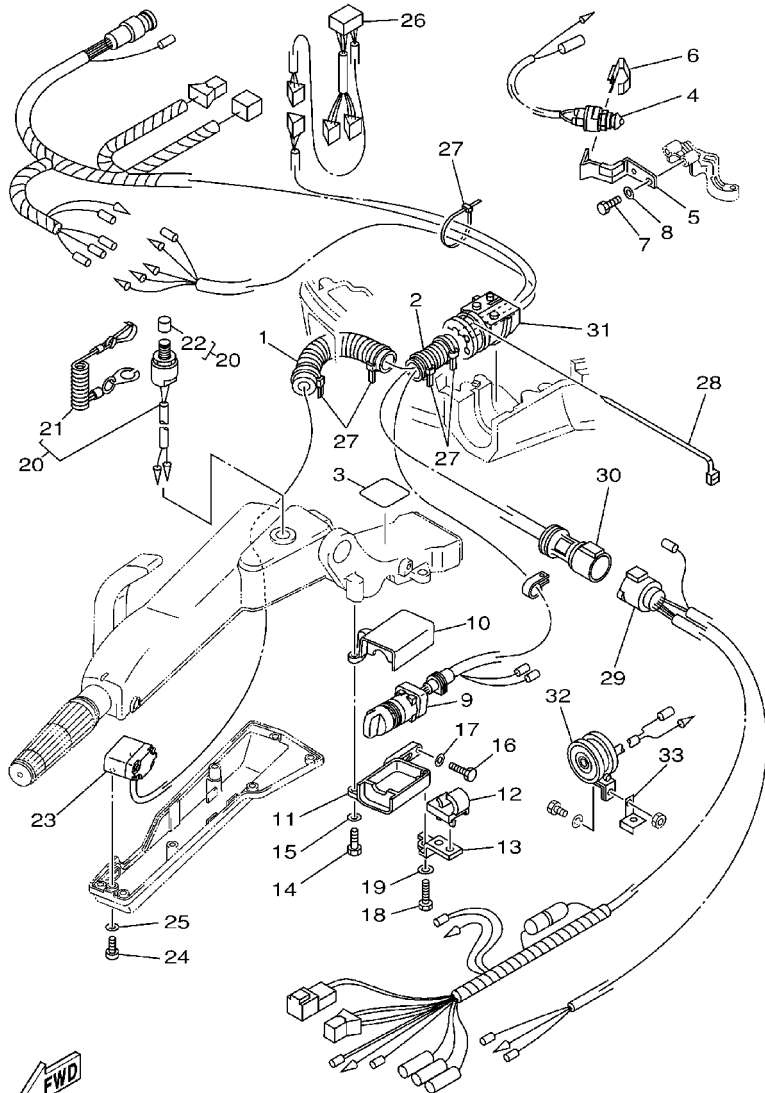


67F1100-2180

| REF. NO. | PART NO. NO. PIECES | DESCRIPTION DESCRIPTION | F80 | F100 | REMARKS REMARQUES |
|----------|---------------------|--|-----|------|-------------------|
| 28 | 98785-05014 | .SCREW, FLAT HEAD .VIS, TETE PLATE | 2 | 2 | |
| 29 | 63D-48238-00 | .SPRING, DETENT .RESSORT | 1 | 1 | |
| 30 | 97095-08040 | BOLT BOULON | 1 | 1 | |
| 31 | 92995-08600 | WASHER RONDELLE | 1 | 1 | |
| 32 | 97095-06030 | BOLT BOULON | 2 | 2 | |
| 33 | 92995-06600 | WASHER RONDELLE | 2 | 2 | |
| 34 | 97095-06014 | BOLT BOULON | 1 | 1 | |
| 35 | 92995-06600 | WASHER RONDELLE | 1 | 1 | |
| 36 | 67G-48321-10 | CABLE CABLE | 1 | 1 | |
| 37 | 67G-48531-00 | BRACKET, REMOTE CONTROL 1 ETRIER 1, COMMANDE A DISTANCE | 1 | 1 | |
| 38 | 97095-06014 | BOLT BOULON | 1 | 1 | |
| 39 | 90468-10005 | CLIP JONC | 1 | 1 | |
| 40 | 67G-26301-10 | THROTTLE CABLE ASSY CABLE D'ACCELERATEUR | 1 | 1 | |
| 41 | 66R-48538-00 | CLAMP, CABLE 1 COLLIER | 1 | 1 | |
| 42 | 97095-06014 | BOLT BOULON | 1 | 1 | |
| 43 | 63D-48538-00 | CLAMP, CABLE 1 COLLIER | 1 | 1 | |
| 44 | 90468-10005 | CLIP JONC | 1 | 1 | |
| 45 | 67G-44159-00-4D | HANDLE, GEAR SHIFT POIGNEE, LEVIER D'EMBRAYAGE | 1 | 1 | |
| 46 | 67G-44173-00 | LEVER, SHIFT CONTROL POIGNEE, INVERSION | 1 | 1 | |
| 47 | 90159-06M18 | SCREW, WITH WASHER VIS, AVEC RONDELLE | 2 | 2 | |
| 48 | 6G8-44191-00 | INDICATOR, SHIFT ETIQUETTE, EMBRAYAGE | 1 | 1 | |
| 49 | 90386-26MA3 | BUSH DOUILLE | 1 | 1 | |
| 50 | 67G-42131-00 | COVER, HANDLE STEERING COUVERCLE | 1 | 1 | |
| 51 | 97885-06040 | SCREW, PAN HEAD VIS, TETE TRONCONIQUE | 2 | 2 | |
| 52 | 92995-06600 | WASHER RONDELLE | 2 | 2 | |
| 53 | 97885-06016 | SCREW, PAN HEAD VIS, TETE TRONCONIQUE | 5 | 5 | |
| 54 | 92995-06600 | WASHER RONDELLE | 5 | 5 | |

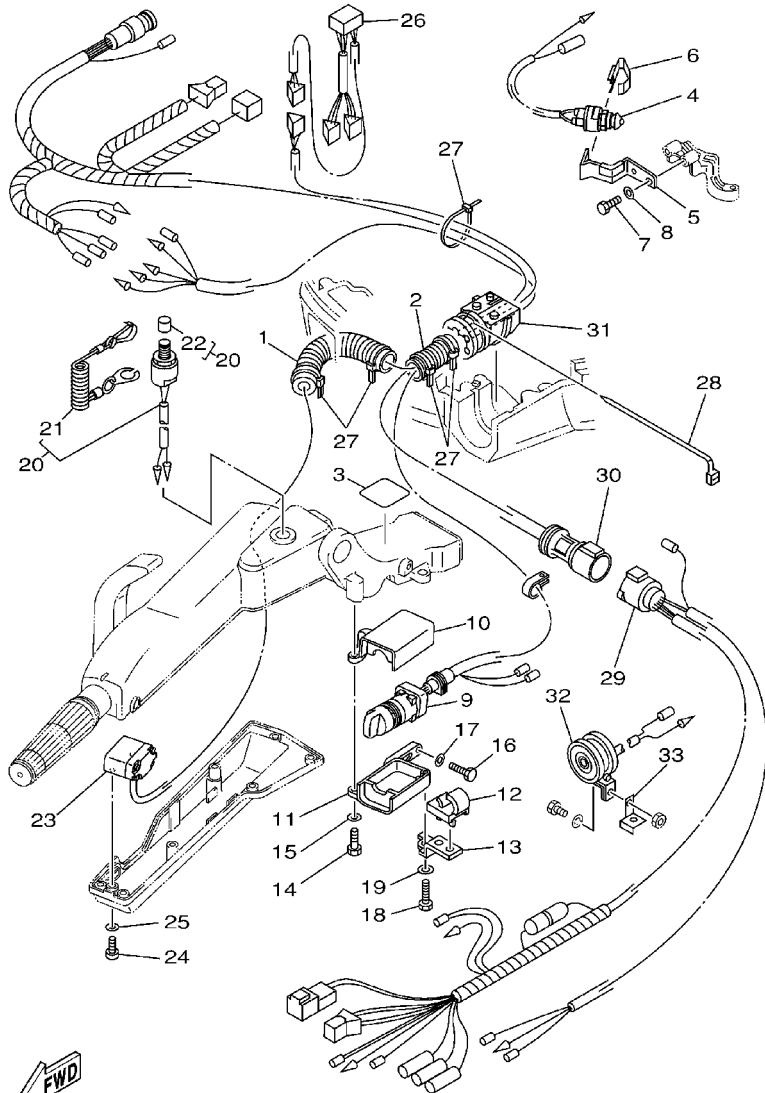
FIG. 19 STEERING 2

DIRECTION 2



67F1100-2190

| REF. NO. | PART NO. NO. PIECES | DESCRIPTION DESCRIPTION | | | REMARKS REMARQUES |
|----------|---------------------|---|-----|------|-------------------|
| | | | F80 | F100 | |
| 1 | 90446-24M79 | HOSE DURITE | 1 | 1 | AP |
| 2 | 6K3-83557-00 | TUBE TUBE | 1 | 1 | AP |
| 3 | 67G-42735-00 | PROTECTOR PROTECTEUR | 1 | 1 | AP |
| 4 | 688-82540-11 | NEUTRAL SWITCH ASSY CONTACTEUR DE POINT-MORT | 1 | 1 | AP |
| 5 | 67G-82554-01 | STAY, NEUTRAL SWITCH SUPPORT, CONT DE POINT-MORT | 1 | 1 | AP |
| 6 | 62Y-82555-00 | DAMPER, MAIN SWITCH 1 AMORTISSEUR 1, CONTACT A CLEF | 1 | 1 | AP |
| 7 | 97095-06014 | BOLT BOULON | 2 | 2 | AP |
| 8 | 92995-06600 | WASHER RONDELLE | 2 | 2 | AP |
| 9 | 67G-82510-30 | MAIN SWITCH ASSY CONTACTEUR A CLEF COMPLET | 1 | 1 | AP |
| 10 | 63D-8252E-01-4D | COVER, MAIN SWITCH COUVERCLE | 1 | 1 | AP |
| 11 | 63D-8252F-01-4D | COVER, MAIN SWITCH COUVERCLE | 1 | 1 | AP |
| 12 | 63D-24367-00 | CLAMP, FUEL PIPE 2 COLLIER DE DURITE A ESSENCE | 1 | 1 | AP |
| 13 | 63D-24364-00 | STAY SUPPORT | 1 | 1 | AP |
| 14 | 97095-06025 | BOLT BOULON | 1 | 1 | AP |
| 15 | 92995-06600 | WASHER RONDELLE | 1 | 1 | AP |
| 16 | 97095-06020 | BOLT BOULON | 1 | 1 | AP |
| 17 | 92995-06600 | WASHER RONDELLE | 1 | 1 | AP |
| 18 | 97095-06030 | BOLT BOULON | 1 | 1 | AP |
| 19 | 92995-06600 | WASHER RONDELLE | 1 | 1 | AP |
| 20 | 63D-82575-00 | ENGINE STOP SWITCH ASSY COUPE CIRCUIT CPLT | 1 | 1 | AP |
| 21 | 682-82556-00 | .STOPPER .PLAQUETTE | 1 | 1 | |
| 22 | 689-8257Y-00 | .CAP .CHAPEAU | 1 | 1 | |
| 23 | 67G-82563-00 | TRIM & TILT SWITCH ASSY INCLINER ET PARER COMMUTATEUR | 1 | 1 | AP |
| 24 | 97885-06016 | SCREW, PAN HEAD VIS, TETE TRONCONIQUE | 2 | 2 | AP |
| 25 | 92995-06600 | WASHER RONDELLE | 2 | 2 | AP |
| 26 | 63D-83728-00 | CONNÉCTOR ASSY CONNEXION COMPLET | 1 | 1 | AP |
| 27 | 90465-13M24 | CLAMP BRIDE | 5 | 5 | AP |



67F1100-2190

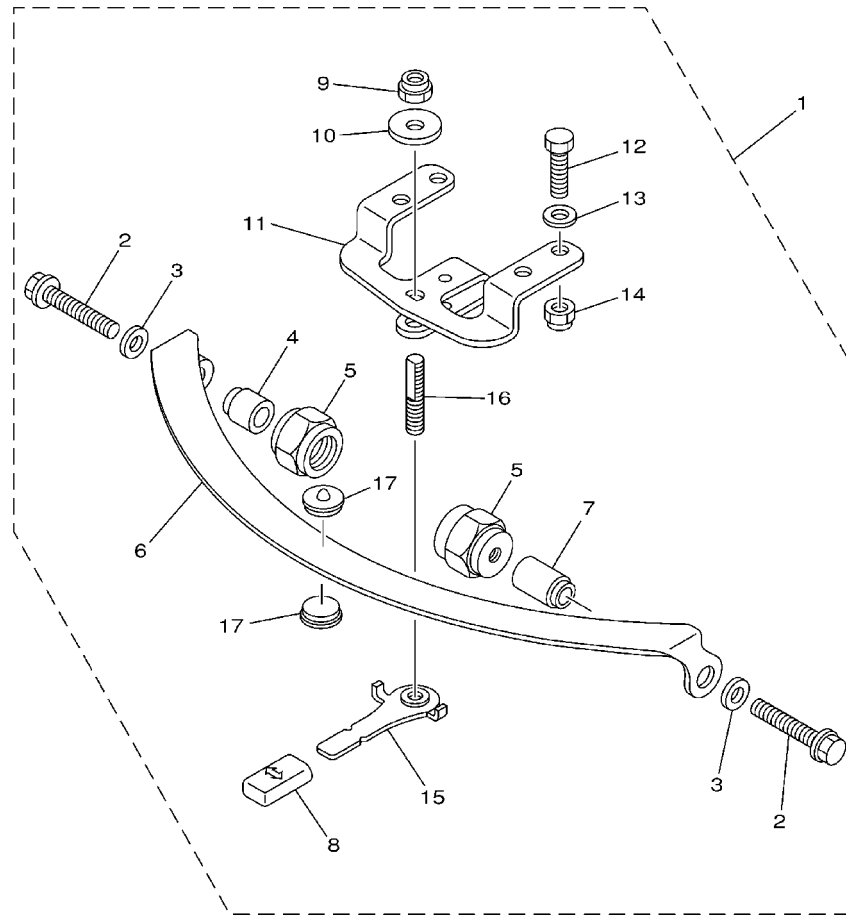
FIG. 19 STEERING 2

DIRECTION 2

| REF. NO. | PART NO. NO. PIECES | DESCRIPTION DESCRIPTION | F80 | F100 | REMARKS REMARQUES |
|----------|---------------------|---|-----|------|-------------------|
| | | | | | |
| 28 | 90465-13M30 | CLAMP BRIDE | 1 | 1 | AP |
| 29 | 6H5-83553-11 | WIRE, LEAD FIL | 1 | 1 | AP |
| 30 | 63D-82586-00 | EXTENSION, WIRE HARNESS EXTENSION, FAISCEAU DE FILS | 1 | 1 | AP |
| 31 | 67G-42725-00 | GROMMET PASSE-FIL | 1 | 1 | AP |
| 32 | 688-83383-11 | BUZZER RONFLEUR | 1 | 1 | AP |
| 33 | 6H5-83386-00 | STAY, BUZZER SUPPOR, RONFLEUR | 1 | 1 | AP |
| ----- | | | | | |
| ----- | | | | | |
| ----- | | | | | |
| ----- | | | | | |
| ----- | | | | | |
| ----- | | | | | |
| ----- | | | | | |

FIG. 20 STEERING FRICTION

CUVETTE, POIGNEE DE DIRECTION

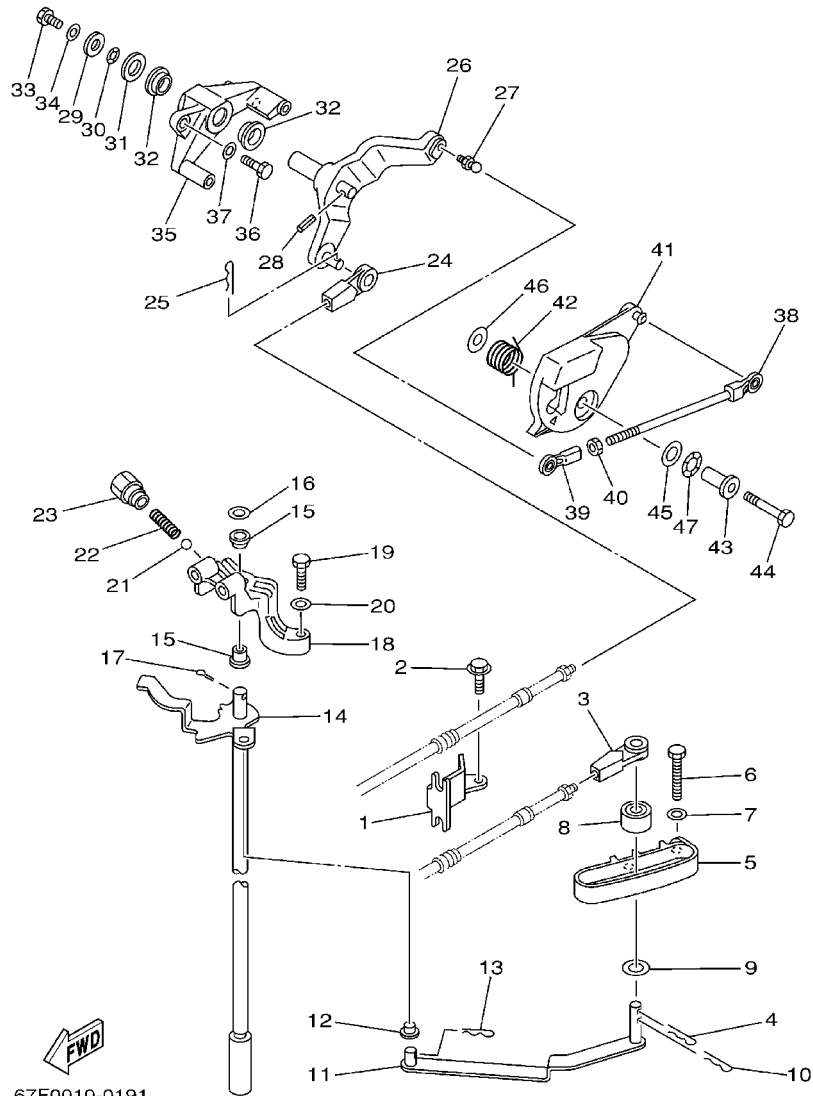


FWD
67F1100-2200

| REF. NO. | PART NO. NO. PIECES | DESCRIPTION DESCRIPTION | F80 | F100 | REMARKS REMARQUES |
|----------|---------------------|---|-----|------|-------------------|
| 1 | 67G-42508-00 | STEERING FRICTION ASSY DIRECTION FRICTION (ENS.) | 1 | 1 | AP |
| 2 | 90119-08M74 | .BOLT, WITH WASHER .BOULON, AVEC RONDELLE | 2 | 2 | |
| 3 | 90201-08M01 | .WASHER, PLATE .RONDELLE, PLATE | 2 | 2 | |
| 4 | 67G-42541-00 | .DAMPER .AMORTISSEUR | 1 | 1 | |
| 5 | 67G-42546-00 | .NUT .ECROU | 2 | 2 | |
| 6 | 63D-42527-00 | .PLATE, FRICTION .PLAQUE, FRICTION | 1 | 1 | |
| 7 | 67G-42541-10 | .DAMPER .AMORTISSEUR | 1 | 1 | |
| 8 | 682-43318-01 | .COVER .CAPUCHON | 1 | 1 | |
| 9 | 90185-10M14 | .NUT, SELF-LOCKING .ECROU, AUTO-BLOCANT | 1 | 1 | |
| 10 | 90201-10M76 | .WASHER, PLATE .RONDELLE, PLATE | 1 | 1 | |
| 11 | 67G-42526-00 | .PLATE, FRICTION .PLAQUE, FRICTION | 1 | 1 | |
| 12 | 97095-08025 | .BOLT .BOULON | 2 | 2 | |
| 13 | 92995-08600 | .WASHER .RONDELLE | 2 | 2 | |
| 14 | 90185-08057 | .NUT, SELF-LOCKING .ECROU, AUTO-BLOCANT | 2 | 2 | |
| 15 | 67G-42561-00 | .KNOB, STEERING LOCK .BOUTON | 1 | 1 | |
| 16 | 67G-42562-00 | .SHAFT, STEERING LOCK .ARBRE, ANTIVOL DE DIRECTION | 1 | 1 | |
| 17 | 63D-42528-00 | .PLATE, FRICTION .PLAQUE, FRICTION | 2 | 2 | |

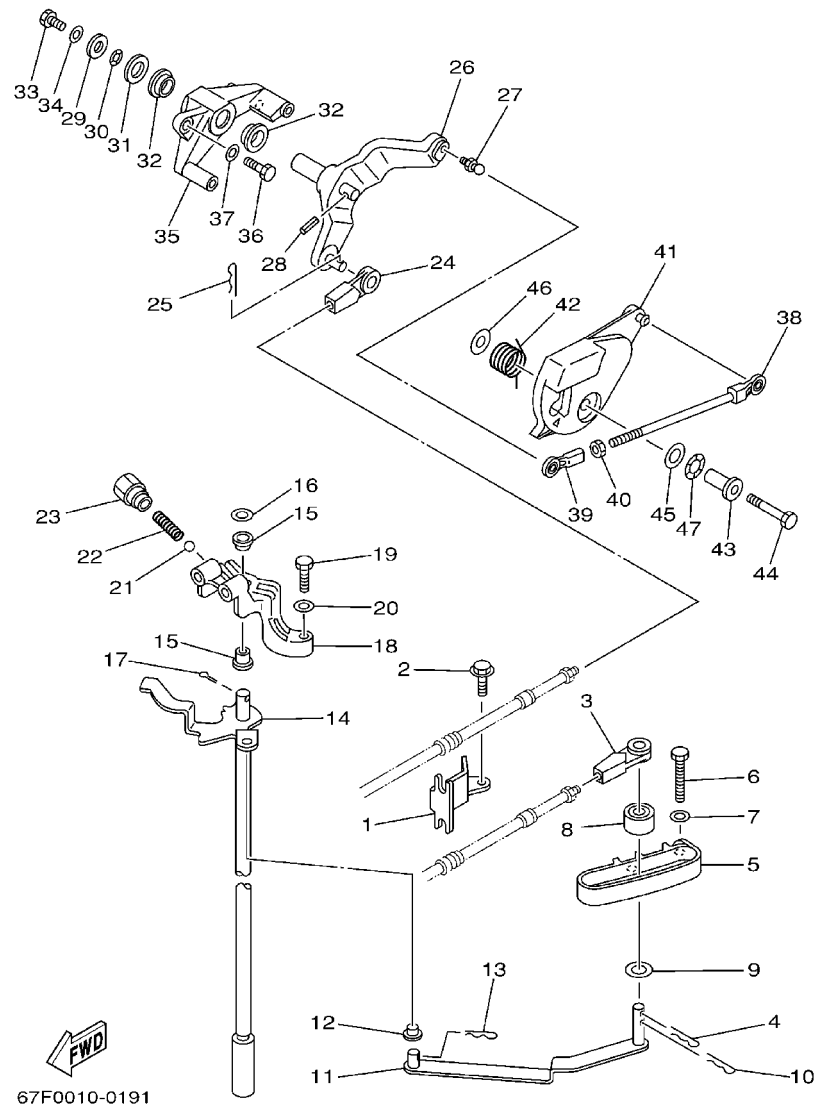
FIG. 21 CONTROL

COMMANDE



67F0010-0191

| REF. NO. | PART NO. NO. PIECES | DESCRIPTION DESCRIPTION | F80 | F100 | REMARKS REMARQUES |
|----------|---------------------|---|-----|------|-------------------|
| 1 | 67F-48538-00 | CLAMP, CABLE 1 COLLIER | 1 | 1 | |
| 2 | 90109-06M86 | BOLT BOULON | 1 | 1 | |
| 3 | 663-48344-00 | CABLE END, REMOTE CONTROL CHAPE CABLE | 1 | 1 | |
| 4 | 90468-18008 | CLIP JONC | 1 | 1 | |
| 5 | 67F-44117-00 | BRACKET SUPPORT | 1 | 1 | |
| 6 | 97095-06040 | BOLT BOULON | 2 | 2 | |
| 7 | 92995-06600 | WASHER RONDELLE | 2 | 2 | |
| 8 | 688-44122-00 | BUSHING, SHIFT ROD LEVER DOUILLE, LEVIER D'EMBRAYAGE | 1 | 1 | |
| 9 | 90202-07M07 | WASHER, PLATE RONDELLE, PLATE | 1 | 1 | |
| 10 | 90468-18008 | CLIP JONC | 1 | 1 | |
| 11 | 67F-44121-00 | LEVER, SHIFT ROD LEVIER, TIGE D'INVERSION | 1 | 1 | |
| 12 | 90386-06M12 | BUSH DOUILLE | 1 | 1 | |
| 13 | 90468-18008 | CLIP JONC | 1 | 1 | |
| 14 | 67F-44120-10 | HANDLE GEAR SHIFT ASSY LEVIER D'EMBRAYAGE | 1 | 1 | L |
| 15 | 90386-90M90 | BUSH DOUILLE | 2 | 2 | |
| 16 | 90201-09M02 | WASHER, PLATE RONDELLE, PLATE | 1 | 1 | |
| 17 | 91490-20015 | PIN, COTTER GOUPILLE, FENDUE | 1 | 1 | |
| 18 | 67F-44118-00 | BRACKET SUPPORT | 1 | 1 | |
| 19 | 97075-06025 | BOLT BOULON | 2 | 2 | |
| 20 | 92995-06600 | WASHER RONDELLE | 2 | 2 | |
| 21 | 93501-04M02 | BALL BILLE | 1 | 1 | |
| 22 | 90501-12082 | SPRING, COMPRESSION RESSORT, COMPRESSION | 1 | 1 | |
| 23 | 648-42715-00 | BUSHING COUSSINET | 1 | 1 | |
| 24 | 663-48344-00 | CABLE END, REMOTE CONTROL CHAPE CABLE | 1 | 1 | |
| 25 | 90468-18008 | CLIP JONC | 1 | 1 | |
| 26 | 67F-42154-00-94 | LEVER, THROTTLE CONTROL LEVIER DE COMMANDE D'AVANCE | 1 | 1 | |
| 27 | 663-85518-00 | JOINT, BALL JOINT SPHERIQUE | 1 | 1 | |



67F0010-0191

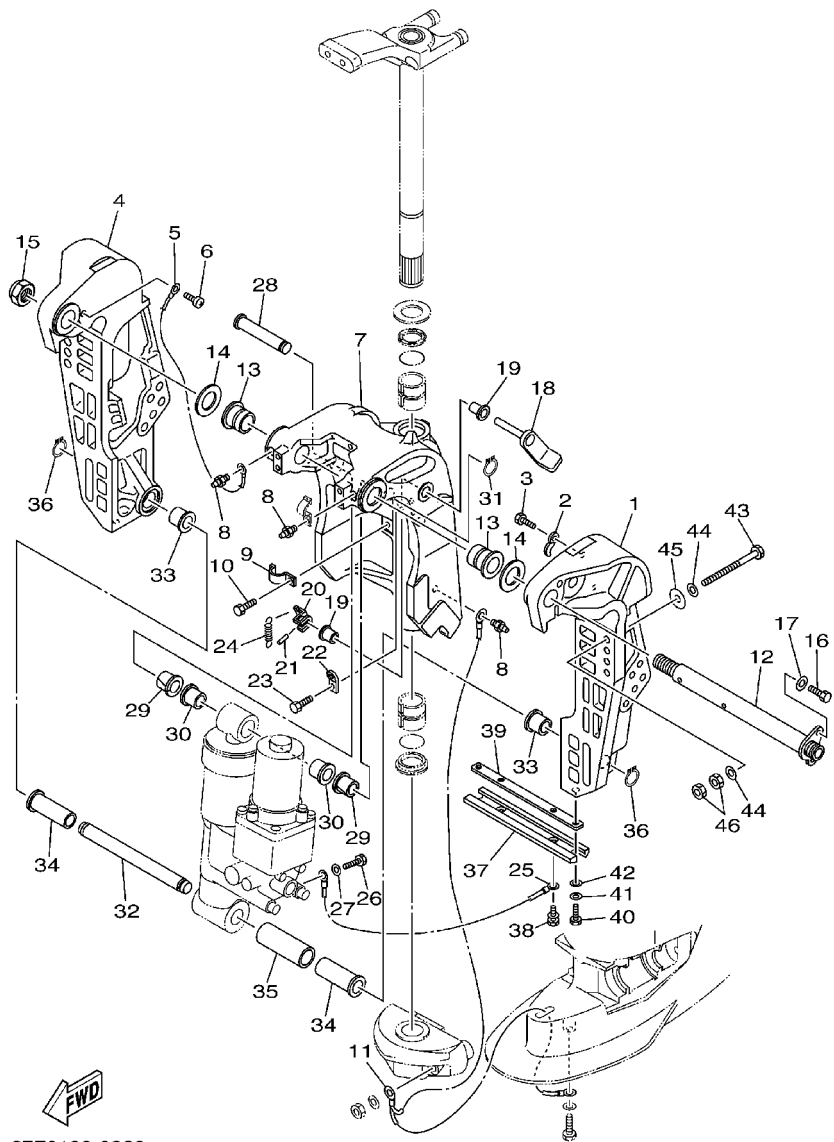
FIG. 21 CONTROL

COMMANDE

| REF. NO. | PART NO. NO. PIECES | DESCRIPTION DESCRIPTION | F80 | F100 | REMARKS REMARQUES |
|----------|---------------------|------------------------------------|-----|------|-------------------|
| 28 | 91690-30018 | PIN, SPRING GOUPILLE, ELASTIQUE | 1 | 1 | |
| 29 | 90201-06068 | WASHER, PLATE RONDELLE, PLATE | 1 | 1 | |
| 30 | 90206-12M00 | WASHER, WAVE RONDELLE, ONDULEE | 1 | 1 | |
| 31 | 92990-12600 | WASHER, PLATE RONDELLE, PLATE | 1 | 1 | |
| 32 | 90386-12069 | BUSH DOUILLE | 2 | 2 | |
| 33 | 97095-06012 | BOLT BOULON | 1 | 1 | |
| 34 | 92995-06600 | WASHER RONDELLE | 1 | 1 | |
| 35 | 67F-41661-00-94 | BRACKET SUPPORT | 1 | 1 | |
| 36 | 97095-06025 | BOLT BOULON | 2 | 2 | |
| 37 | 92995-06600 | WASHER RONDELLE | 2 | 2 | |
| 38 | 67F-41237-00 | JOINT, LINK RACCORD | 1 | 1 | |
| 39 | 682-41237-00 | JOINT, LINK RACCORD | 1 | 1 | |
| 40 | 95380-05600 | NUT ECROU | 1 | 1 | |
| 41 | 67F-41213-01 | CAM, ACCEL. CAME, ACCELERATION | 1 | 1 | |
| 42 | 67F-44135-00 | SPRING RESSORT | 1 | 1 | |
| 43 | 90387-06M82 | COLLAR COLLERETTE | 1 | 1 | |
| 44 | 97095-06035 | BOLT BOULON | 1 | 1 | |
| 45 | 90201-10M02 | WASHER, PLATE RONDELLE, PLATE | 1 | 1 | |
| 46 | 90201-06M31 | WASHER, PLATE RONDELLE, PLATE | 1 | 1 | |
| 47 | 90206-10M04 | WASHER, WAVE RONDELLE, ONDULEE | 1 | 1 | |

FIG. 22 BRACKET 1

SUPPORT 1

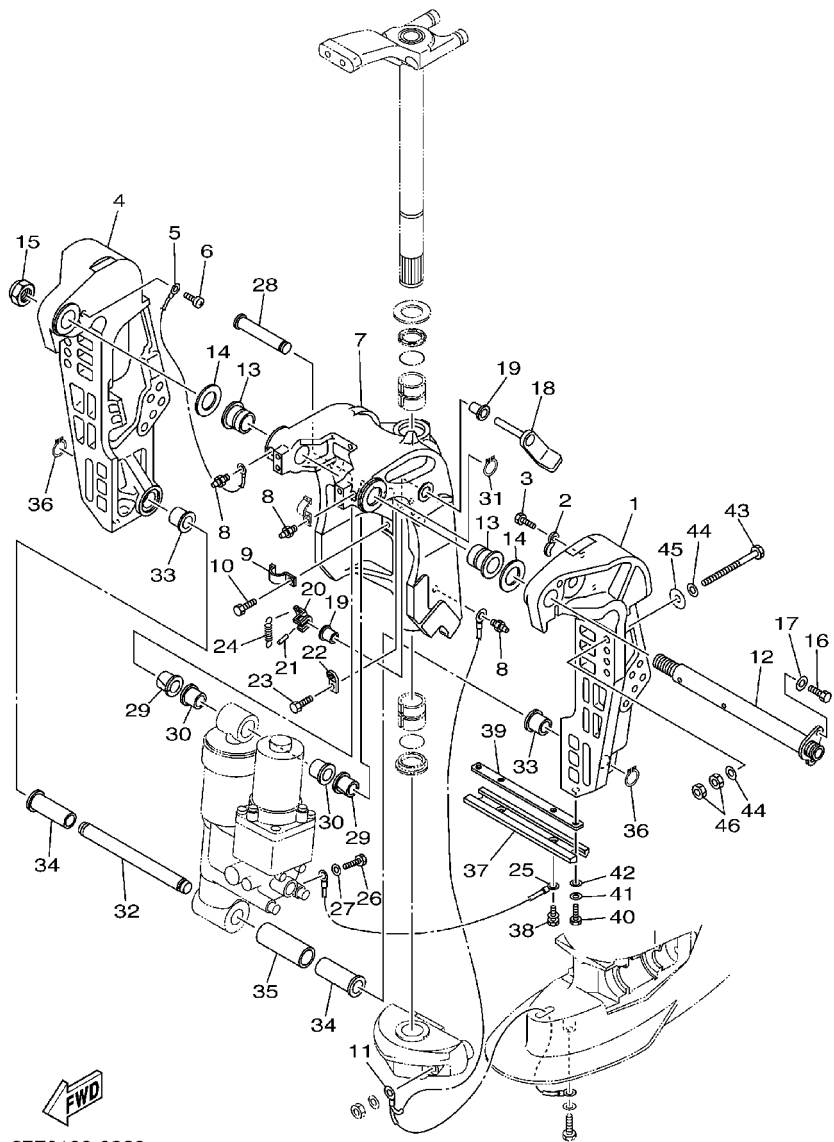


67F0100-0220

| REF. NO. | PART NO. NO. PIECES | DESCRIPTION DESCRIPTION | F80 | F100 | REMARKS REMARQUES |
|----------|---------------------|--|-----|------|-------------------|
| 1 | 67F-43111-00-4D | BRACKET, CLAMP PRESSE | 1 | 1 | |
| 2 | 90465-10M77 | CLAMP BRIDE | 2 | 2 | |
| 3 | 97095-06010 | BOLT BOULON | 2 | 2 | |
| 4 | 67F-43112-00-4D | BRACKET, CLAMP PRESSE | 1 | 1 | |
| 5 | 6E5-82148-00 | WIRE, LEAD 4 FIL 4 | 1 | 1 | |
| 6 | 97880-06012 | SCREW, PAN HEAD VIS, TETE TRONCONIQUE | 1 | 1 | |
| 7 | 67F-43311-10-4D | BRACKET, SWIVEL 1 SUPPORT, PIVOT 1 | 1 | 1 | |
| 8 | 93700-06M03 | NIPPLE, GREASE GRAISSEUR | 3 | 3 | |
| 9 | 90465-08M63 | CLAMP BRIDE | 1 | 1 | |
| 10 | 97095-06010 | BOLT BOULON | 1 | 1 | |
| 11 | 67F-82127-00 | WIRE, LEAD 2 FIL 2 | 1 | 1 | |
| 12 | 64E-43131-01 | BOLT, CLAMP BRACKET BOULON, PRESSE | 1 | 1 | |
| 13 | 90386-25M31 | BUSH DOUILLE | 2 | 2 | |
| 14 | 90201-26M59 | WASHER, PLATE RONDELLE, PLATE | 2 | 2 | |
| 15 | 90185-22M11 | NUT, SELF-LOCKING ECROU, AUTO-BLOCANT | 1 | 1 | |
| 16 | 97095-08020 | BOLT BOULON | 1 | 1 | |
| 17 | 92995-08100 | WASHER RONDELLE | 1 | 1 | |
| 18 | 67F-43181-00 | LEVER, TILT STOP LEVIER, VERROUILLAGE RELEVAGE | 1 | 1 | |
| 19 | 90386-10M16 | BUSH DOUILLE | 2 | 2 | |
| 20 | 67F-43631-00 | LEVER, TILT LEVIER, INCLINAISON | 1 | 1 | |
| 21 | 91690-30020 | PIN, SPRING GOUPILLE, ELASTIQUE | 1 | 1 | |
| 22 | 66T-43144-00 | HOOK, SPRING CROCHET | 1 | 1 | |
| 23 | 97095-06010 | BOLT BOULON | 1 | 1 | |
| 24 | 90506-14M24 | SPRING, TENSION RESSORT, TENSION | 1 | 1 | |
| 25 | 67F-82148-00 | WIRE, LEAD 4 FIL 4 | 1 | 1 | |
| 26 | 97095-06010 | BOLT BOULON | 1 | 1 | |
| 27 | 92995-06600 | WASHER RONDELLE | 1 | 1 | |

FIG. 22 BRACKET 1

SUPPORT 1

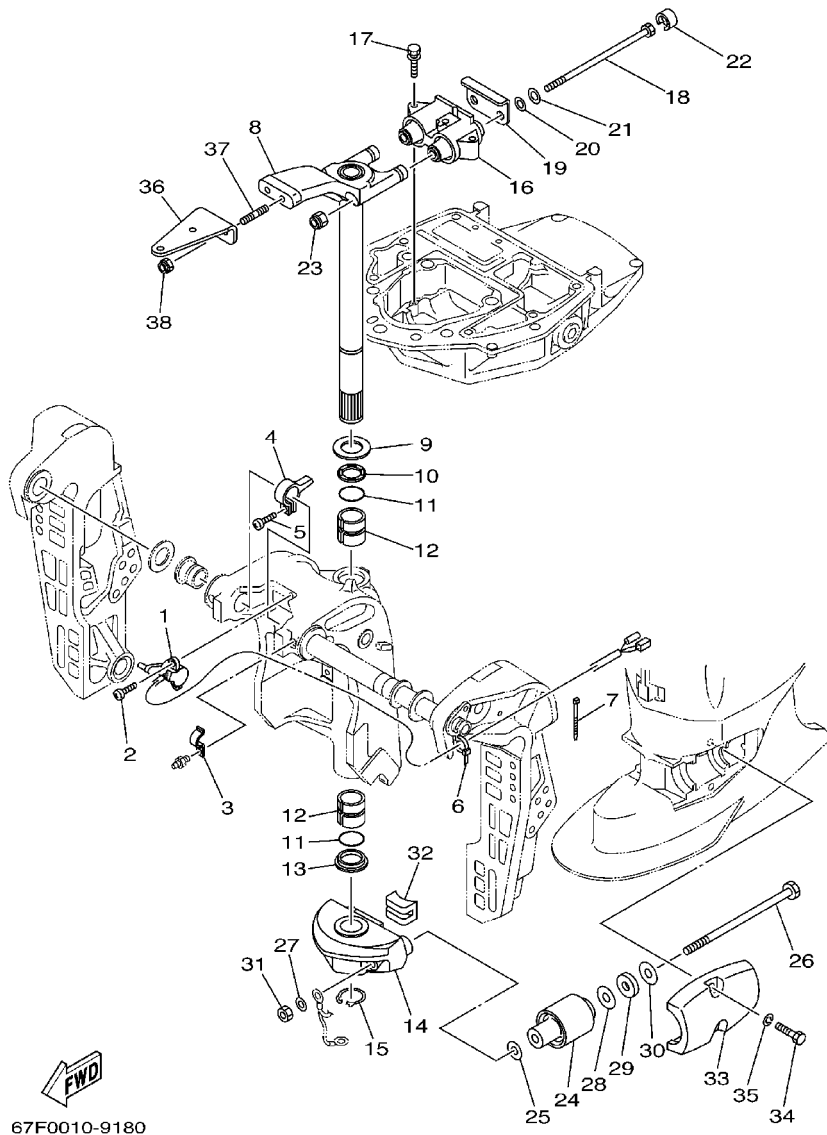


67F0100-0220

| REF. NO. | PART NO. NO. PIECES | DESCRIPTION DESCRIPTION | F80 | F100 | REMARKS REMARQUES |
|----------|---------------------|--|-----|------|-------------------|
| 28 | 67F-43126-00 | PIN, UPPER SHOCK MOUNT AXE, SUPERIEUR AMORTISSEUR | 1 | 1 | |
| 29 | 90386-18M35 | BUSH DOUILLE | 2 | 2 | |
| 30 | 90386-18M63 | BUSH DOUILLE | 2 | 2 | |
| 31 | 93410-18M05 | CIRCLIP CIRCLIP, TYPE S | 1 | 1 | |
| 32 | 67F-43818-00 | PIN, LOWER SHOCK MOUNT AXE, INFERIEUR AMORTISSEUR | 1 | 1 | |
| 33 | 90387-18M01 | COLLAR COLLERETTE | 2 | 2 | |
| 34 | 90386-18MA0 | BUSH DOUILLE | 2 | 2 | |
| 35 | 90387-22M01 | COLLAR COLLERETTE | 1 | 1 | |
| 36 | 93410-18M05 | CIRCLIP CIRCLIP, TYPE S | 2 | 2 | |
| 37 | 6H1-45251-03 | ANODE ANODE | 1 | 1 | |
| 38 | 90119-06M81 | BOLT, WITH WASHER BOULON, AVEC RONDELLE | 2 | 2 | |
| 39 | 6H1-44526-00 | PLATE PLAQUE | 1 | 1 | |
| 40 | 97095-06016 | BOLT BOULON | 2 | 2 | |
| 41 | 92995-06100 | WASHER, SPRING RONDELLE, GROWER | 2 | 2 | |
| 42 | 92995-06600 | WASHER RONDELLE | 2 | 2 | |
| 43 | 90101-12M03 | BOLT (L:115MM) BOULON (L:115MM) | 4 | 4 | |
| 44 | 90201-13M01 | WASHER, PLATE RONDELLE, PLATE | 8 | 8 | |
| 45 | 90201-12M05 | WASHER, PLATE RONDELLE, PLATE | 4 | 4 | |
| 46 | 95380-12600 | NUT ECROU | 8 | 8 | |

FIG. 23 BRACKET 2

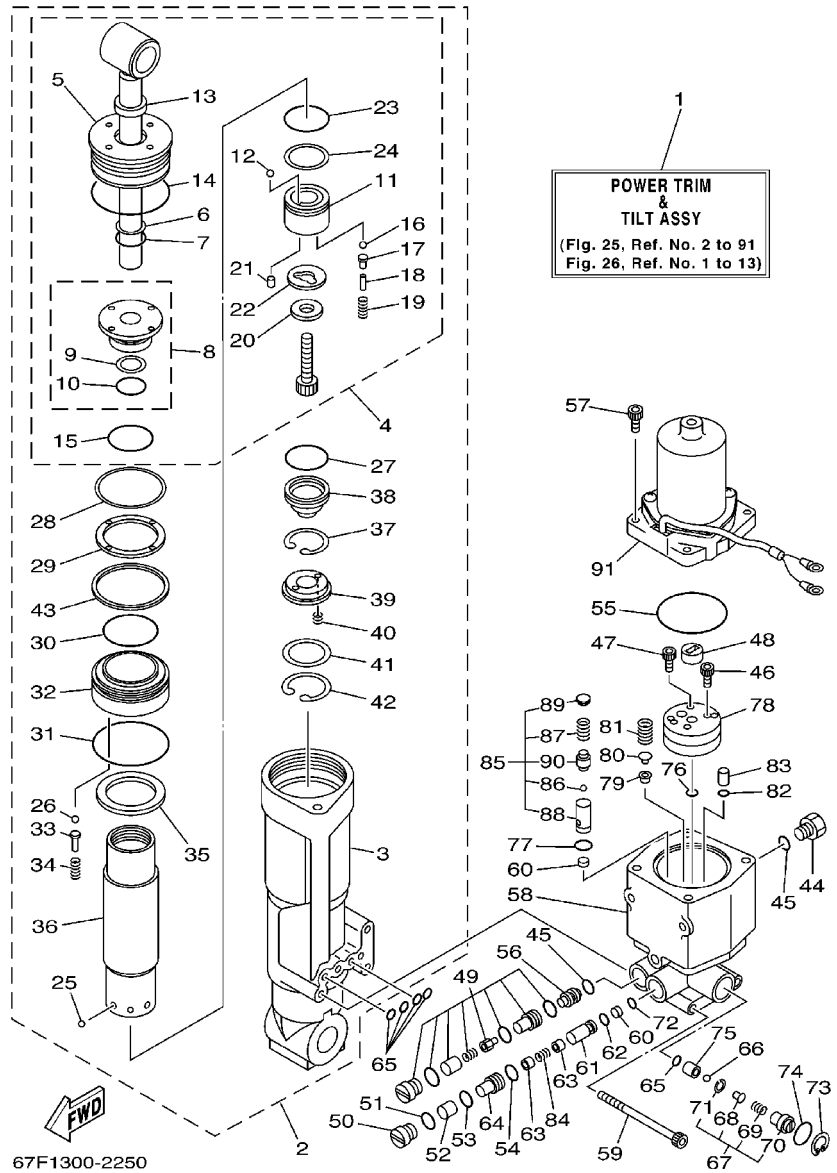
SUPPORT 2



67F0010-9180

| REF. NO. | PART NO. NO. PIECES | DESCRIPTION DESCRIPTION | F80 | F100 | REMARKS REMARQUES |
|----------|---------------------|--|-----|------|-------------------|
| 1 | 64E-83672-02 | TRIM SENDER INCLINER RACCORD | 1 | 1 | |
| 2 | 97885-06016 | SCREW, PAN HEAD VIS, TETE TRONCONIQUE | 2 | 2 | |
| 3 | 90465-08M63 | CLAMP BRIDE | 1 | 1 | |
| 4 | 64E-43139-02 | CAM, TRIM SENDER VILEBREQUIN TRUM | 1 | 1 | |
| 5 | 97780-60525 | SCREW, TAPPING VIS, TETE FRAISEE | 1 | 1 | |
| 6 | 90465-11M10 | CLAMP BRIDE | 1 | 1 | |
| 7 | 90465-11M10 | CLAMP BRIDE | 3 | 3 | |
| 8 | 67F-42510-10-4D | STEERING BRACKET ASSY DIRECTION SUPPORT (ENS.) | 1 | 1 | |
| 9 | 90201-30M00 | WASHER, PLATE RONDELLE, PLATE | 1 | 1 | |
| 10 | 90386-30M78 | BUSH DOUILLE | 1 | 1 | |
| 11 | 93210-29M94 | O-RING JOINT TORIQUE | 2 | 2 | |
| 12 | 90386-30M77 | BUSH DOUILLE | 2 | 2 | |
| 13 | 90386-30M60 | BUSH DOUILLE | 1 | 1 | |
| 14 | 67F-44551-00-4D | HOUSING, LOWER MOUNT RUBBER BOITIER, SILENT-BLOC INFERIEUR | 1 | 1 | |
| 15 | 93410-28M06 | CIRCLIP CIRCLIP, TYPE S | 1 | 1 | |
| 16 | 67F-44514-00-94 | MOUNT DAMPER, UPPER SIDE SILENT-BLOC, SUPERIEUR LATERAL | 1 | 1 | |
| 17 | 97575-08445 | BOLT, WITH WASHER VIS HEXAGONAL AVC RONDELLE | 3 | 3 | |
| 18 | 90109-12M37 | BOLT BOULON | 2 | 2 | |
| 19 | 67F-44526-00 | PLATE PLAQUE | 1 | 1 | |
| 20 | 90201-12M16 | WASHER, PLATE RONDELLE, PLATE | 2 | 2 | |
| 21 | 90201-13M01 | WASHER, PLATE RONDELLE, PLATE | 2 | 2 | |
| 22 | 67F-44533-00 | DAMPER, UPPER MOUNT RUBBER COUVERCLE, SUSPENSION INFERIEUR | 2 | 2 | |
| 23 | 95780-12300 | NUT, FLANGE ECROU, A COLLERETTE | 2 | 2 | |
| 24 | 67F-44555-00-94 | MOUNT DAMPER, LOWER SIDE SILENT-BLOC, INFERIEUR LATERAL | 2 | 2 | |
| 25 | 90201-13M03 | WASHER, PLATE RONDELLE, PLATE | 2 | 2 | |
| 26 | 90109-12M97 | BOLT BOULON | 2 | 2 | |
| 27 | 90201-12M16 | WASHER, PLATE RONDELLE, PLATE | 2 | 2 | |

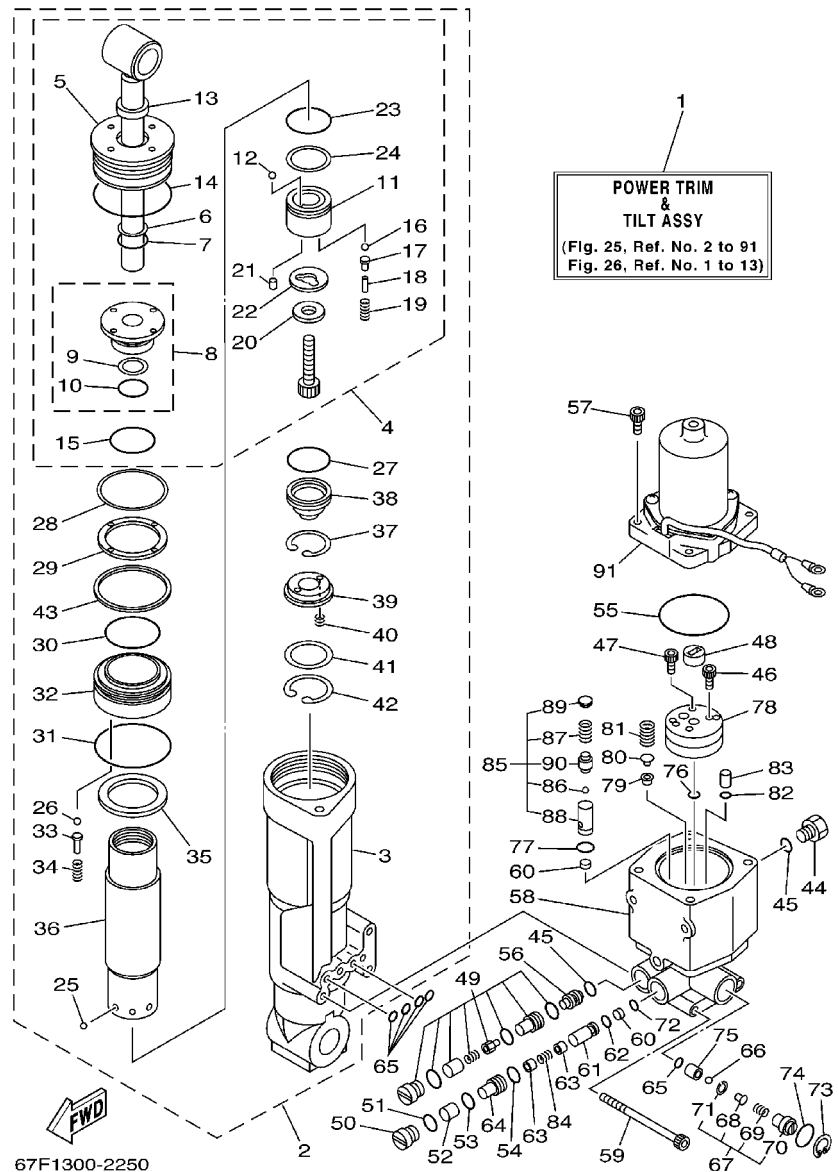
FIG. 25 POWER TRIM & TILT ASSY 1 PUISSANCE PARER ET INCLINER 1



67F1300-2250

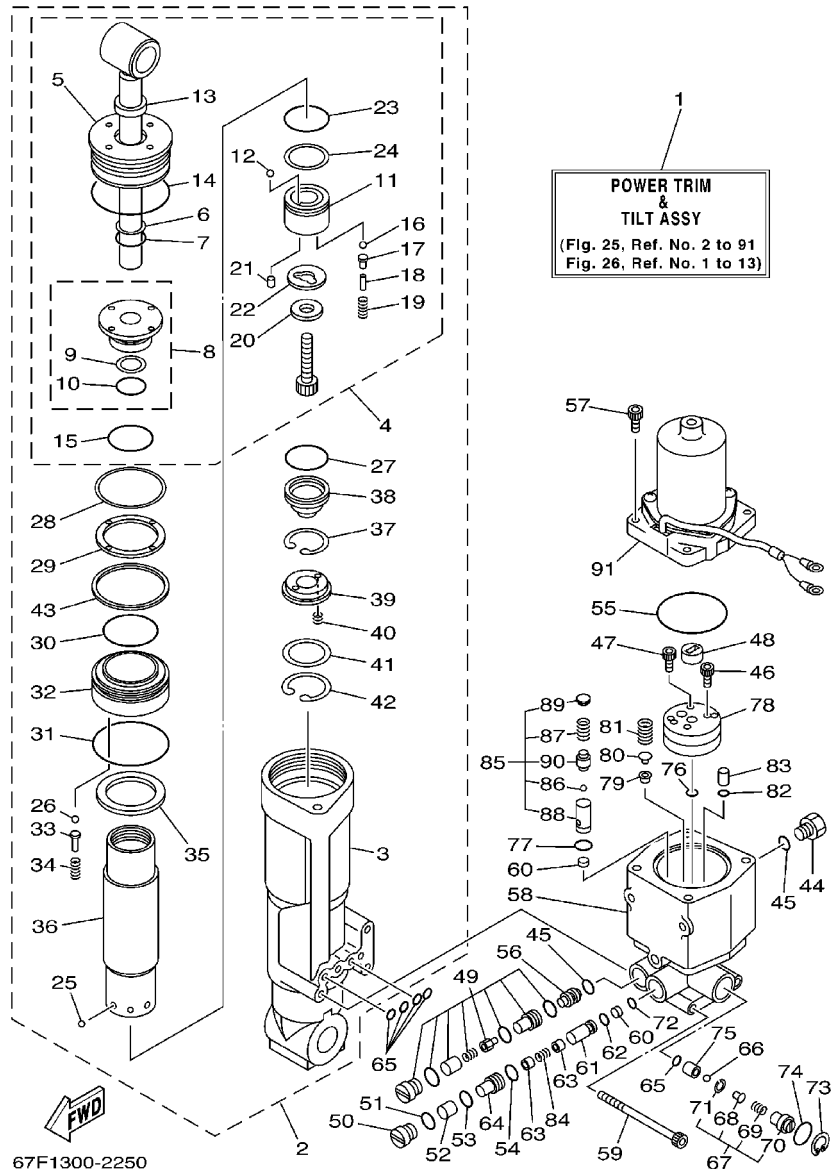
| REF. NO. | PART NO. NO. PIECES | DESCRIPTION DESCRIPTION | F80 | F100 | REMARKS REMARQUES |
|----------|---------------------|--|-----|------|-------------------|
| 1 | 67F-43800-03-4D | POWER TRIM & TILT ASSY PUISSANCE PARER ET INCLINER (ENS.) | 1 | 1 | |
| 2 | 67F-43840-02 | POWER TILT ASSY PUISSANCE INCLINER (ENS.) | 1 | 1 | |
| 3 | 67F-4380K-00 | ..CYLINDER, TILT SUB ASSY ..CYLINDRE | 1 | 1 | |
| 4 | 67F-43810-01 | ..TILT PISTON SUB ASSY ..INCLINER PISTON AUXILIAIRE(EN | 1 | 1 | |
| 5 | 67F-43821-00 | ..SCREW, TRIM CYLINDER END ..VIS | 1 | 1 | |
| 6 | 6H1-43872-10 | ..RING, BACK UP ..RESSORT | 1 | 1 | |
| 7 | 93210-18397 | ..O-RING ..JOINT TORIQUE | 1 | 1 | |
| 8 | 67F-4380R-00 | ..CYLINDER END SUB ASSY ..CYLINDRE RACCORD (ENS.) | 1 | 1 | |
| 9 | 6H1-43872-10 | ..RING, BACK UP ..RESSORT | 1 | 1 | |
| 10 | 93210-18397 | ..O-RING ..JOINT TORIQUE | 1 | 1 | |
| 11 | 67F-4385A-01 | ..PISTON, TILT ..PISTON | 1 | 1 | |
| 12 | 93501-08001 | ..BALL ..BILLE | 1 | 1 | |
| 13 | 6H1-43812-00 | ..SEAL, DUST ..JOINT | 1 | 1 | |
| 14 | 67F-43861-00 | ..O-RING ..JOINT TORIQUE | 1 | 1 | |
| 15 | 62X-43862-00 | ..O-RING ..JOINT TORIQUE | 1 | 1 | |
| 16 | 93501-08001 | ..BALL ..BILLE | 2 | 2 | |
| 17 | 65W-4386A-00 | ..PIN, ABSORBER VALVE ..GOUPILLE, SOUPAPE | 2 | 2 | |
| 18 | 688-4386F-00 | ..PIN, STRAIGHT ..RESSORT | 2 | 2 | |
| 19 | 65W-43853-00 | ..SPRING, MAIN VALVE ..RESSORT | 2 | 2 | |
| 20 | 67F-43893-00 | ..WASHER ..RONDELLE | 1 | 1 | |
| 21 | 93602-07244 | ..PIN, DOWEL ..GOUJON | 2 | 2 | |
| 22 | 67F-22435-00 | ..PLATE, VALVE 2 ..PLAQUE, CLAPET 2 | 1 | 1 | |
| 23 | 93210-29375 | ..O-RING ..JOINT TORIQUE | 1 | 1 | |
| 24 | 62X-43871-00 | ..RING, BACK UP ..SEGMENT | 1 | 1 | |
| 25 | 93503-16003 | ..BALL ..BILLE | 6 | 6 | |
| 26 | 93501-08001 | ..BALL ..BILLE | 5 | 5 | |
| 27 | 67F-43863-00 | ..O-RING ..JOINT TORIQUE | 1 | 1 | |

FIG. 25 POWER TRIM & TILT ASSY 1 PUISSANCE PARER ET INCLINER 1



| REF. NO. | PART NO. NO. PIECES | DESCRIPTION DESCRIPTION | F80 | F100 | REMARKS REMARQUES |
|----------|---------------------|---|-----|------|-------------------|
| 28 | 67F-43899-00 | .PLATE STOPPER .PLAQUETTE | 1 | 1 | |
| 29 | 67F-43816-00 | .FILTER 1 .FILTRE 1 | 1 | 1 | |
| 30 | 67F-43862-00 | .O-RING .JOINT TORIQUE | 1 | 1 | |
| 31 | 62X-43865-00 | .O-RING .JOINT TORIQUE | 1 | 1 | |
| 32 | 67F-4388A-00 | .BOLT .BOULON | 1 | 1 | |
| 33 | 6T4-4386A-00 | .PIN, ABSORBER VALVE .GOUPILLE, SOUPE | 5 | 5 | |
| 34 | 67F-43857-00 | .SPRING, ABSORBER VALVE .RESSORT | 5 | 5 | |
| 35 | 67F-4381J-00 | .PLATE .PLAQUE | 1 | 1 | |
| 36 | 67F-22471-01 | .CYLINDER, SHOCK ABSORBER .CYLINDRE, AMORTISSEUR | 1 | 1 | |
| 37 | 67F-43875-00 | .RING, SNAP .RESSORT | 1 | 1 | |
| 38 | 67F-4381B-00 | .FREE PISTON SUB ASSY .PISTON AUXILIAIRE (ENS.) | 1 | 1 | |
| 39 | 62X-43899-00 | .PLATE STOPPER .PLAQUETTE | 1 | 1 | |
| 40 | 62X-4384H-00 | .SPRING .RESSORT | 2 | 2 | |
| 41 | 1UF-22434-00 | .PLATE, VALVE 1 .PLATEAU, SOUPE 1 | 1 | 1 | |
| 42 | 62X-43875-00 | .RING, SNAP .RESSORT | 1 | 1 | |
| 43 | 67F-43871-00 | .RING, BACK UP .SEGMENT | 1 | 1 | |
| 44 | 6H1-43829-00 | PLUG, RESERVOIR BOUCHON | 1 | 1 | |
| 45 | 93210-09165 | O-RING JOINT TORIQUE | 2 | 2 | |
| 46 | 91318-06035 | BOLT BOULON | 3 | 3 | |
| 47 | 91318-06020 | BOLT BOULON | 1 | 1 | |
| 48 | 6H1-43831-10 | CONNECTOR, SHAFT RACCORD | 1 | 1 | |
| 49 | 67F-43802-00 | VALVE SUB ASSY CLAPET AUXILIAIRE (ENS.) | 2 | 2 | |
| 50 | 67F-4382F-00 | ADAPTOR 3 ADAPTEUR 3 | 1 | 1 | |
| 51 | 6H1-43866-00 | O-RING JOINT TORIQUE | 1 | 1 | |
| 52 | 67F-43817-00 | FILTER 2 FILTRE 2 | 1 | 1 | |
| 53 | 93210-10M74 | O-RING JOINT TORIQUE | 1 | 1 | |
| 54 | 6H1-43867-00 | O-RING JOINT TORIQUE | 1 | 1 | |

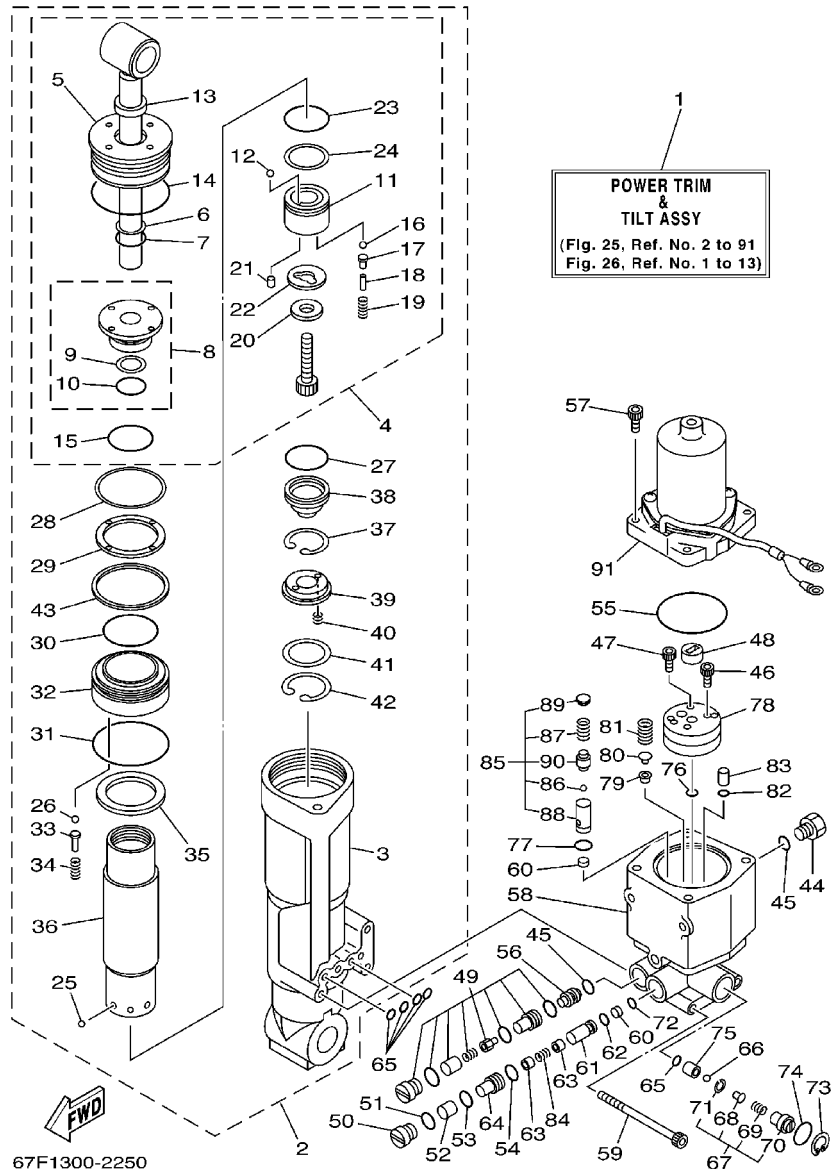
FIG. 25 POWER TRIM & TILT ASSY 1 PUISSANCE PARER ET INCLINER 1



67F1300-2250

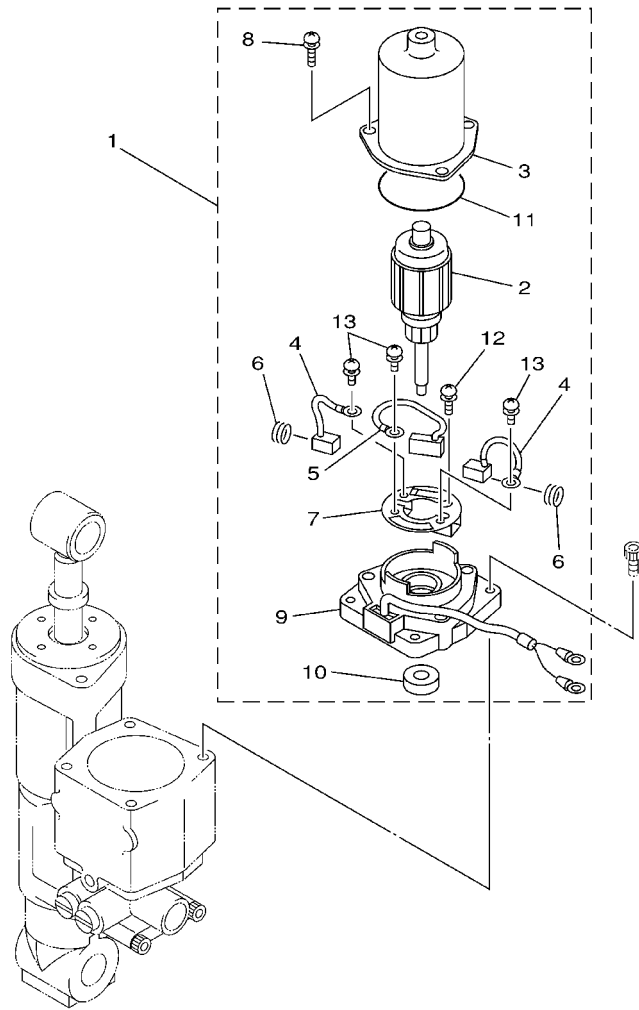
| REF. NO. | PART NO. NO. PIECES | DESCRIPTION DESCRIPTION | F80 | F100 | REMARKS REMARQUES |
|----------|---------------------|---|-----|------|-------------------|
| 55 | 62X-43865-00 | O-RING JOINT TORIQUE | 1 | 1 | |
| 56 | 62X-43841-00 | PISTON, SHUTTLE PISTON | 1 | 1 | |
| 57 | 65W-43888-00 | BOLT, SOCKET BOULON | 4 | 4 | |
| 58 | 67F-43825-03 | HOUSING, TRIM & TILT CARTER | 1 | 1 | |
| 59 | 62X-43878-00 | BOLT, SOCKET BOULON | 3 | 3 | |
| 60 | 6H1-43816-00 | FILTER 1 FILTRE 1 | 2 | 2 | |
| 61 | 67F-43851-00 | SEAT, RELIEF VALVE SIEGE | 1 | 1 | |
| 62 | 93210-07003 | O-RING JOINT TORIQUE | 1 | 1 | |
| 63 | 67F-43808-00 | SEAT VALVE COMP. 1 SIEGE VALVE COMP. 1 | 2 | 2 | |
| 64 | 67F-4382G-00 | SCREW, VALVE SEAT VIS, JEU DE POINTEAUX | 1 | 1 | |
| 65 | 93210-064A5 | O-RING JOINT TORIQUE | 5 | 5 | |
| 66 | 93505-32038 | BALL BILLE | 1 | 1 | |
| 67 | 61A-43860-20 | MANUAL VALVE SUB-ASSY SOUPAPE, MANUEL (ENS.) | 1 | 1 | |
| 68 | 61A-43848-00 | .ROD, MANUAL RELEASE .TIGE | 1 | 1 | |
| 69 | 61A-43854-00 | .SPRING, MANUAL RELEASE .RESSORT | 1 | 1 | |
| 70 | 61A-43845-00 | .SCREW, MANUAL RELEASE .VIS | 1 | 1 | |
| 71 | 61A-43875-00 | .RING, SNAP .RESSORT | 1 | 1 | |
| 72 | 93210-06100 | O-RING JOINT TORIQUE | 1 | 1 | |
| 73 | 6H1-43875-00 | RING, SNAP RESSORT | 1 | 1 | |
| 74 | 93210-18397 | O-RING JOINT TORIQUE | 1 | 1 | |
| 75 | 61A-43847-00 | SEAT, MANUAL VALVE SIEGE | 1 | 1 | |
| 76 | 65W-43862-00 | O-RING JOINT TORIQUE | 2 | 2 | |
| 77 | 93210-11368 | O-RING JOINT TORIQUE | 1 | 1 | |
| 78 | 67F-43830-00 | GEAR PUMP ASSY POMPE A PIGNON (ENS.) | 1 | 1 | |
| 79 | 6H1-4384F-10 | SEAL, MAIN VALVE JOINT | 1 | 1 | |
| 80 | 6H1-43844-10 | PIN, VALVE SUPPORT GOUPILLE | 1 | 1 | |
| 81 | 6H1-43856-10 | SPRING, DOWN RELIEF RESSORT | 1 | 1 | |

FIG. 25 POWER TRIM & TILT ASSY 1 PUISSANCE PARER ET INCLINER 1



| REF. NO. | PART NO. NO. PIECES | DESCRIPTION DESCRIPTION | | | REMARKS REMARQUES |
|----------|---------------------|--|-----|------|-------------------|
| | | | F80 | F100 | |
| 82 | 65W-43861-00 | O-RING JOINT TORIQUE | 2 | 2 | |
| 83 | 65W-43817-00 | FILTER 2 FILTRE 2 | 2 | 2 | |
| 84 | 67F-4385H-00 | SPRING, SEAL RESSORT | 1 | 1 | |
| 85 | 67F-43850-00 | VALVE SUB ASSY CLAPET AUXILIAIRE (ENS.) | 1 | 1 | |
| 86 | 93501-08001 | .BALL .BILLE | 1 | 1 | |
| 87 | 6H1-43856-10 | .SPRING, DOWN RELIEF .RESSORT | 1 | 1 | |
| 88 | 67F-43895-00 | .SEAT, RELIEF VALVE .SIEGE | 1 | 1 | |
| 89 | 67F-43843-00 | .SCREW, VALVE LOCK .VIS | 1 | 1 | |
| 90 | 67F-4386A-00 | .PIN, ABSORBER VALVE .GOUPILLE, SOUPEPE | 1 | 1 | |
| 91 | 67F-43880-00 | MOTOR ASSY MOTEUR (ENS.) | 1 | 1 | REFER TO FIG.26 |

FIG. 26 POWER TRIM & TILT ASSY 2 PUISSANCE PARER ET INCLINER 2



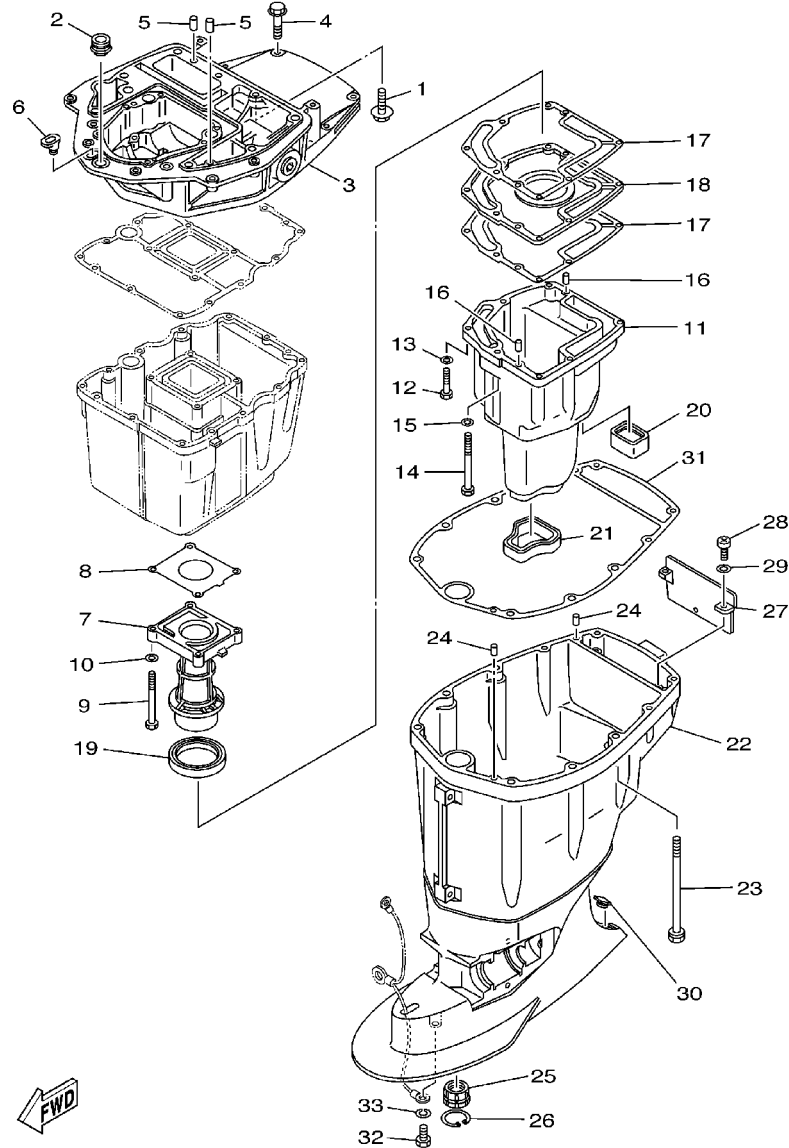
| REF. NO. | PART NO. NO. PIECES | DESCRIPTION DESCRIPTION | F80 | F100 | REMARKS REMARQUES |
|----------|---------------------|--|-----|------|-------------------|
| 1 | 67F-43880-00 | MOTOR ASSY MOTEUR (ENS.) | 1 | 1 | |
| 2 | 67F-43805-00 | .ARMATURE ASSY .INDUIT (ENS.) | 1 | 1 | |
| 3 | 67F-43804-00 | .STATOR ASSY .STATOR (ENS.) | 1 | 1 | |
| 4 | 67F-43891-00 | .BRUSH 1 .BALAI 1 | 2 | 2 | |
| 5 | 67F-82181-00 | .CIRCUIT BREAKER COMP. .RUPTEUR COMPLET | 1 | 1 | |
| 6 | 67F-4386K-00 | .SPRING, BRUSH .RESSORT, BALAI | 2 | 2 | |
| 7 | 67F-4380F-00 | .PLATE, BRUSH HOLDER .PLAQUE | 1 | 1 | |
| 8 | 67F-43886-00 | .BOLT .BOULON | 3 | 3 | |
| 9 | 67F-43881-00 | .FRAME, END .BATI | 1 | 1 | |
| 10 | 67F-43882-00 | .OIL SEAL .JOINT SPI | 1 | 1 | |
| 11 | 67F-43896-00 | .O-RING .JOINT TORIQUE | 1 | 1 | |
| 12 | 67F-43887-00 | .BOLT, THROUGH .BOULON | 1 | 1 | |
| 13 | 67F-43879-00 | .SCREW, WITH WASHER .VIS, AVEC RONDELLE | 3 | 3 | |



67G0010-9240

FIG. 27 UPPER CASING

FOURREAU

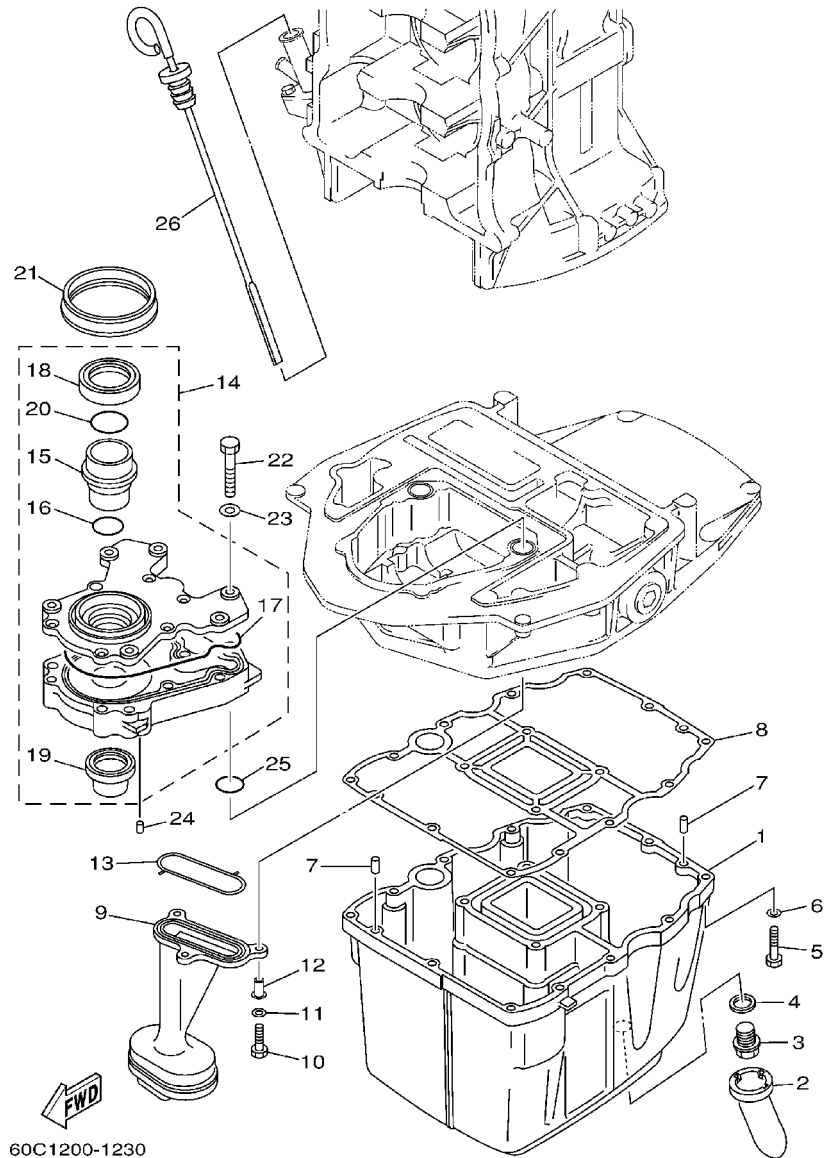



67F1300-2270

| REF. NO. | PART NO. NO. PIECES | DESCRIPTION DESCRIPTION | F80 | F100 | REMARKS REMARQUES |
|----------|---------------------|---|-----|------|-------------------|
| 1 | 90119-08M58 | BOLT, WITH WASHER BOULON, AVEC RONDELLE | 2 | 2 | |
| 2 | 67F-42724-00 | GROMMET PASSE-FIL | 1 | 1 | |
| 3 | 67F-41137-01-94 | GUIDE, EXHAUST COLLECTEUR D'ÉCHAPPEMENT | 1 | 1 | |
| 4 | 97575-08540 | BOLT, WITH WASHER VIS HEXAGONAL AVEC RONDELLE | 4 | 4 | |
| 5 | 93608-16M16 | PIN, DOWEL GOUJON | 2 | 2 | |
| 6 | 6G1-42727-00 | GROMMET PASSE-FIL | 1 | 1 | |
| 7 | 67F-41131-00-5B | MANIFOLD, EXT. 1 PIPE D'ÉCHAPPEMENT | 1 | 1 | |
| 8 | 67F-41133-A0 | GASKET, EXHAUST MANIFOLD 1 JOINT, PIPE D'ÉCHAPPEMENT | 1 | 1 | |
| 9 | 97075-06070 | BOLT BOULON | 4 | 4 | |
| 10 | 92995-06600 | WASHER RONDELLE | 4 | 4 | |
| 11 | 67F-14711-00-5B | MUFFLER 1 POT D'ÉCHAPPEMENT 1 | 1 | 1 | |
| 12 | 97075-06030 | BOLT BOULON | 6 | 6 | |
| 13 | 92995-06600 | WASHER RONDELLE | 6 | 6 | |
| 14 | 97075-06050 | BOLT BOULON | 1 | 1 | |
| 15 | 92995-06600 | WASHER RONDELLE | 1 | 1 | |
| 16 | 93606-19M23 | PIN, DOWEL GOUJON | 2 | 2 | |
| 17 | 67F-41134-A0 | GASKET, EXHAUST MANIFOLD JOINT, PIPE D'ÉCHAPPEMENT | 2 | 2 | |
| 18 | 67F-45181-00-5B | PLATE PLAQUETTE | 1 | 1 | |
| 19 | 67F-41138-00 | SEAL, EXT. 1 JOINT DE GROUPE 1 | 1 | 1 | |
| 20 | 67F-45127-00 | SEAL JOINT | 1 | 1 | |
| 21 | 67F-45123-00 | GASKET, MUFFLER JOINT, POT DE DETENTE | 1 | 1 | |
| 22 | 67F-45111-10-4D | CASING, UPPER FOURREAU | 1 | 1 | |
| 23 | 90119-10M08 | BOLT, WITH WASHER BOULON, AVEC RONDELLE | 6 | 6 | |
| 24 | 93608-16M16 | PIN, DOWEL GOUJON | 2 | 2 | |
| 25 | 67F-45318-00 | BUSHING, DRIVE SHAFT DOUILLE, ARBRE MOTEUR | 1 | 1 | |
| 26 | 93420-36M01 | CIRCLIP CIRCLIP, TYPE S | 1 | 1 | |
| 27 | 67F-45151-00 | COVER, UPPER CASING CAPUCHON, FOURREAU | 1 | 1 | |

FIG. 28 OIL PAN

VENTILATEUR D'HUILE



60C1200-1230

| REF. NO. | PART NO. NO. PIECES | DESCRIPTION DESCRIPTION | F80 | F100 | REMARKS REMARQUES |
|----------|---------------------|---|-----|------|-------------------|
| 1 | 67F-15311-00-5B | OIL PAN VENTILATEUR D'HUILE | 1 | 1 | |
| 2 | 67F-15316-00 | DAMPER 1 AMORTISSEUR 1 | 1 | 1 | |
| 3 | 90340-14M06 | PLUG, STRAIGHT SCREW PLOT, FILETE DROIT | 1 | 1 | |
| 4 | 90430-14M09 | GASKET JOINT | 1 | 1 | |
| 5 | 97075-06025 | BOLT BOULON | 12 | 12 | |
| 6 | 92995-06600 | WASHER RONDELLE | 12 | 12 | |
| 7 | 93606-12019 | PIN, DOWEL GOUJON | 2 | 2 | |
| 8 | 67F-15312-00 | GASKET, OIL PAN JOINT DE VENTILATEUR D'HUILE | 1 | 1 | |
| 9 | 67F-13411-00 | STRAINER, OIL FILTRE, HUILE | 1 | 1 | |
| 10 | 97027-06025 | BOLT BOULON | 3 | 3 | |
| 11 | 92907-06600 | WASHER, PLATE RONDELLE | 3 | 3 | |
| 12 | 90387-06M64 | COLLAR COLLERETTE | 3 | 3 | |
| 13 | 67F-13415-00 | SEAL, OIL STRAINER JOINT, FILTRE A HUILE | 1 | 1 | |
| 14 | 67F-13300-03 | OIL PUMP ASSY POMPE A HUILE COMPLET | 1 | 1 | |
| 15 | 67F-13314-01 | SHAFT, PUMP AXE DE POMPE | 1 | 1 | |
| 16 | 67F-13473-01 | O-RING JOINT TORIQUE | 1 | 1 | |
| 17 | 67F-13329-00 | GASKET, PUMP COVER JOINT, COUVERCLE DE POMPE | 1 | 1 | |
| 18 | 67F-13119-01 | OIL SEAL JOINT SPY | 1 | 1 | |
| 19 | 67F-13631-02 | SEAL, RUBBER JOINT CAOUTCHOUC | 1 | 1 | |
| 20 | 67F-13769-00 | O-RING JOINT TORIQUE | 1 | 1 | |
| 21 | 67F-13338-00 | SEAL JOINT | 1 | 1 | |
| 22 | 97095-06045 | BOLT BOULON | 6 | 6 | |
| 23 | 92995-06600 | WASHER RONDELLE | 6 | 6 | |
| 24 | 93604-12M07 | PIN, DOWEL GOUJON | 2 | 2 | |
| 25 | 93210-19MJ1 | O-RING JOINT TORIQUE | 2 | 2 | |
| 26 | 68V-15362-00 | PLUG, OIL LEVEL PLOT, NIVEAU D'HUILE | 1 | 1 | |

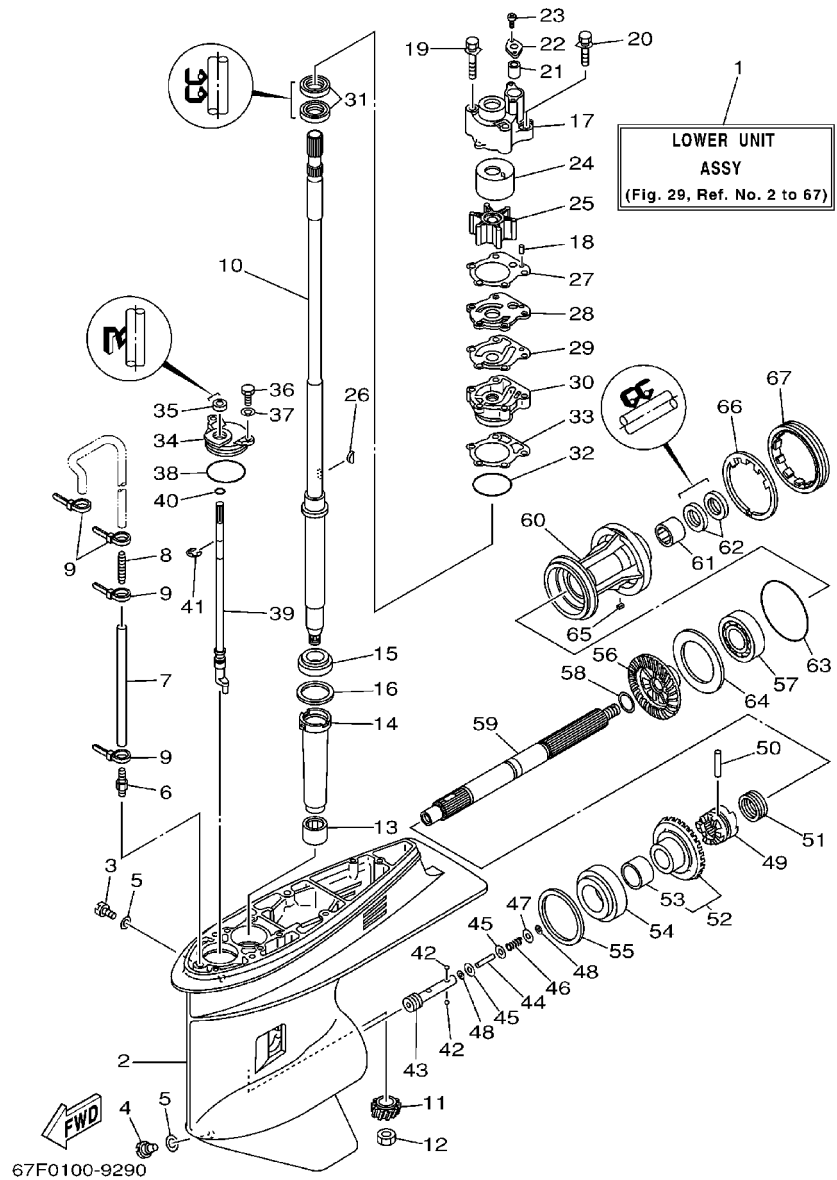


FIG. 29 LOWER CASING. DRIVE 1

BOITIER D'HELICE, TRANSMISSION 1

| REF. NO. | PART NO. NO. PIECES | DESCRIPTION DESCRIPTION | F80 | F100 | REMARKS REMARQUES |
|----------|---------------------|--|-----|------|-------------------|
| 1 | 67F-45300-10-4D | LOWER UNIT ASSY UNITE INFERIEURE (ENS.) | 1 | 1 | L |
| 2 | 67F-45301-00-4D | CASING, LOWER BEQUILLE | 1 | 1 | |
| 3 | 90340-08002 | PLUG, STRAIGHT SCREW PLOT, FILETE DROIT | 1 | 1 | |
| 4 | 688-45341-10 | PLUG, DRAIN BOUCHON DE VIDANGE | 1 | 1 | |
| 5 | 90430-08020 | GASKET JOINT | 2 | 2 | |
| 6 | 6E5-45378-00 | NIPPLE, HOSE RACCORD, TUYAU | 1 | 1 | |
| 7 | 90445-07M31 | HOSE (L200) DURITE (L200) | 1 | 1 | L |
| 8 | 6E5-83558-10 | END, NIPPLE RACCORD DE NIPPLE | 1 | 1 | |
| 9 | 90465-11M10 | CLAMP BRIDE | 4 | 4 | |
| 10 | 67F-45501-10 | DRIVE SHAFT COMP. ARBRE MOTEUR COMP. | 1 | 1 | L |
| 11 | 67F-45551-00 | PINION PIGNON D'ATTAQUE | 1 | 1 | |
| 12 | 90170-16M01 | NUT ECROU | 1 | 1 | |
| 13 | 93315-325W4 | BEARING ROULEMENT | 1 | 1 | |
| 14 | 688-45536-01 | SLEEVE, DRIVE SHAFT MANCHON, ARBRE MOTEUR | 1 | 1 | |
| 15 | 93332-000U3 | BEARING ROULEMENT | 1 | 1 | |
| 16 | 688-45587-01-10 | SHIM (T:0.10MM) CALE (T:0.10MM) | 1 | 1 | UR |
| | 688-45587-01-12 | SHIM (T:0.12MM) CALE (T:0.12MM) | 1 | 1 | UR |
| | 688-45587-01-15 | SHIM (T:0.15MM) CALE (T:0.15MM) | 1 | 1 | UR |
| | 688-45587-01-18 | SHIM (T:0.18MM) CALE (T:0.18MM) | 1 | 1 | UR |
| | 688-45587-01-30 | SHIM (T:0.30MM) CALE (T:0.30MM) | 1 | 1 | UR |
| | 688-45587-01-40 | SHIM (T:0.40MM) CALE (T:0.40MM) | 1 | 1 | UR |
| | 688-45587-01-50 | SHIM (T:0.50MM) CALE (T:0.50MM) | 1 | 1 | UR |
| 17 | 67F-44311-00 | HOUSING, WATER PUMP CORPS, POMPE A EAU | 1 | 1 | |
| 18 | 93604-10M03 | PIN, DOWEL GOUJON | 2 | 2 | |
| 19 | 90119-08M87 | BOLT, WITH WASHER BOULON, AVEC RONDELLE | 2 | 2 | |
| 20 | 90119-08M13 | BOLT, WITH WASHER BOULON, AVEC RONDELLE | 2 | 2 | |
| 21 | 663-44366-00 | DAMPER, WATER SEAL JOINT, TUBE D'EAU | 1 | 1 | |

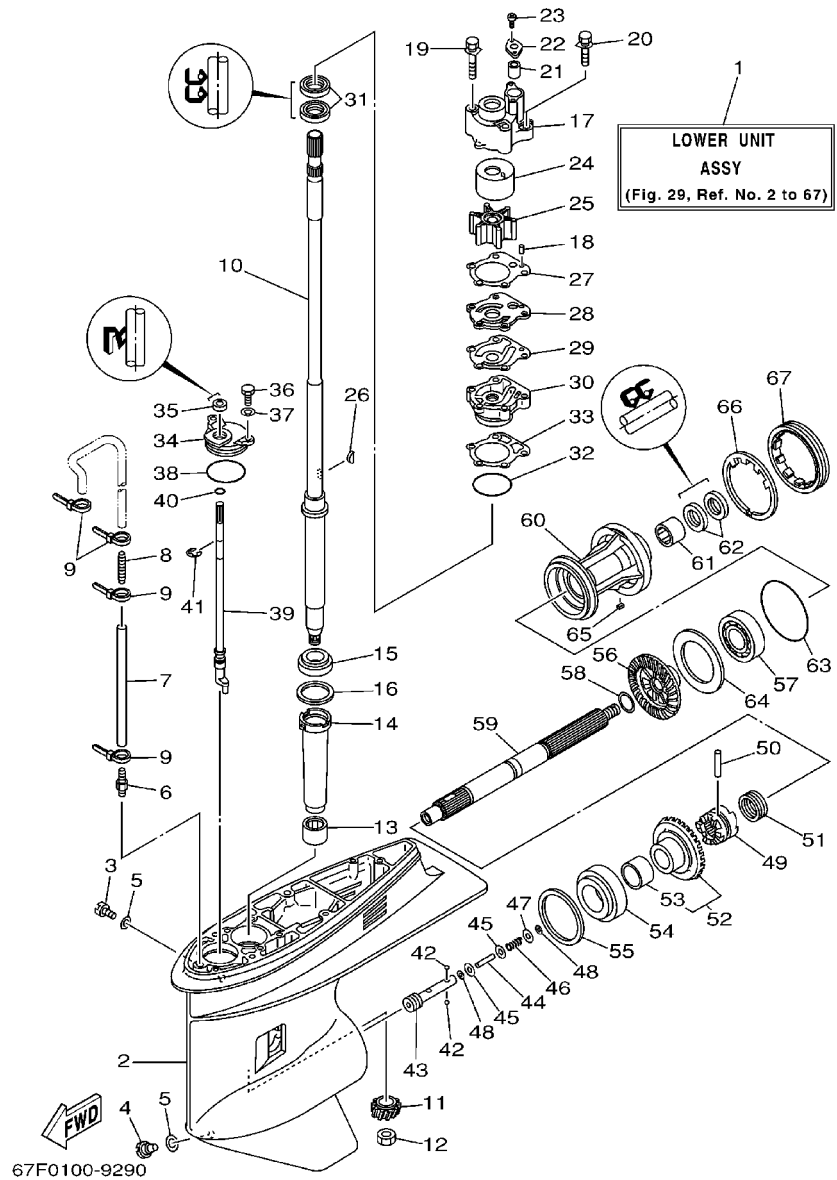


FIG. 29 LOWER CASING. DRIVE 1

BOITIER D'HELICE, TRANSMISSION 1

| REF. NO. | PART NO. NO. PIECES | DESCRIPTION DESCRIPTION | F80 | F100 | REMARKS REMARQUES |
|----------|---------------------|--|-----|------|-------------------|
| 22 | 90480-19M06 | GROMMET PASSE-FIL | 1 | 1 | |
| 23 | 97780-40512 | SCREW, TAPPING VIS, TETE FRAISEE | 2 | 2 | |
| 24 | 67F-44322-00 | INSERT, CARTRIDGE CUVETTE | 1 | 1 | |
| 25 | 67F-44352-00 | IMPELLER TURBINE | 1 | 1 | |
| 26 | 90280-04M04 | KEY, WOODRUFF CLAVETTE, DEMI-LUNE | 1 | 1 | |
| 27 | 688-44315-A0 | GASKET, WATER PUMP JOINT, POMPE A EAU | 1 | 1 | |
| 28 | 67F-44323-00 | OUTER PLATE, CARTRIDGE PLAQUE EXTERIEURE | 1 | 1 | |
| 29 | 688-44324-A0 | GASKET, CARTRIDGE JOINT | 1 | 1 | |
| 30 | 688-44341-01-94 | HOUSING, WATER PUMP CORPS, POMPE A EAU | 1 | 1 | |
| 31 | 93101-25M03 | OIL SEAL JOINT SPY | 2 | 2 | |
| 32 | 93210-46044 | O-RING JOINT TORIQUE | 1 | 1 | |
| 33 | 688-44316-A0 | GASKET, WATER PUMP JOINT, POMPE A EAU | 1 | 1 | |
| 34 | 688-45321-00 | PLATE PLAQUETTE | 1 | 1 | |
| 35 | 93106-09014 | OIL SEAL JOINT SPY | 1 | 1 | |
| 36 | 97095-06016 | BOLT BOULON | 2 | 2 | |
| 37 | 92995-06600 | WASHER RONDELLE | 2 | 2 | |
| 38 | 93210-49046 | O-RING JOINT TORIQUE | 1 | 1 | |
| 39 | 67F-44150-00 | SHIFT CAM ASSY CAME D'INVERSION | 1 | 1 | |
| 40 | 93210-07003 | O-RING JOINT TORIQUE | 1 | 1 | |
| 41 | 99001-08600 | CIRCLIP CIRCLIP | 1 | 1 | |
| 42 | 93503-16003 | BALL BILLE | 2 | 2 | |
| 43 | 67F-45634-00 | SLIDE, SHIFT CONTRE-POUSSOIR | 1 | 1 | |
| 44 | 6H1-45668-00 | SHAFT, FREE AXE | 1 | 1 | |
| 45 | 6H1-45635-00 | PLUNGER, SHIFT POUSSOIR D'EMBAYAGE | 2 | 2 | |
| 46 | 90501-12M48 | SPRING, COMPRESSION RESSORT, COMPRESSION | 1 | 1 | |
| 47 | 90201-03313 | WASHER, PLATE RONDELLE, PLATE | 1 | 1 | |
| 48 | 90183-02M03 | NUT, SPRING ECROU, RESSORT | 2 | 2 | |

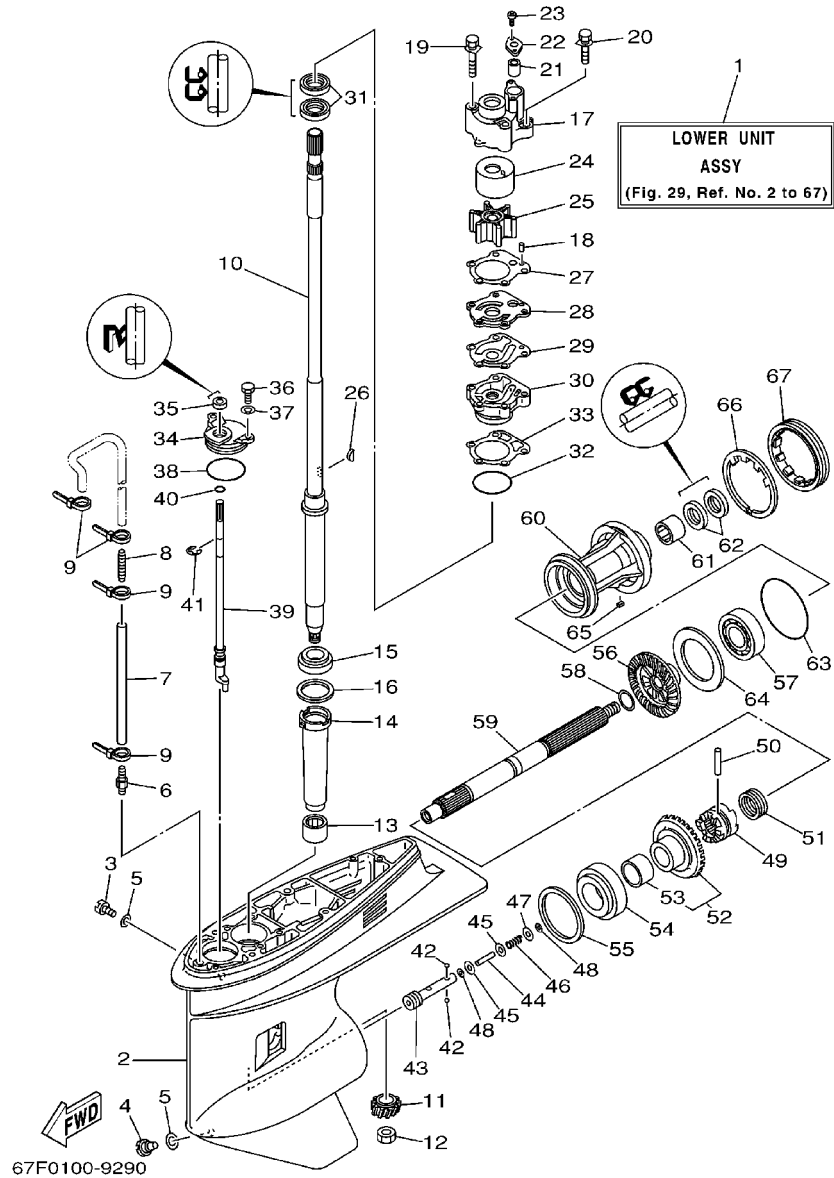


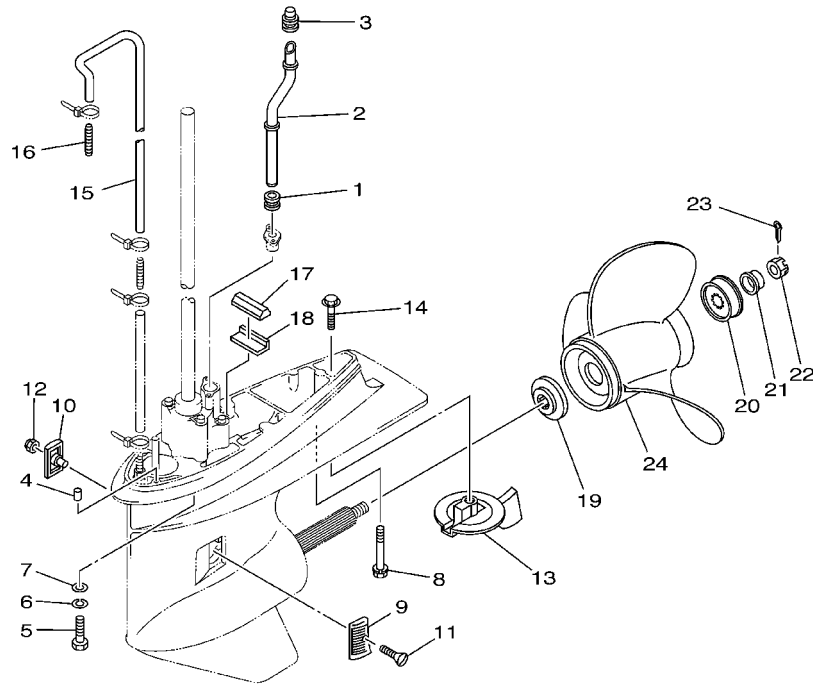
FIG. 29 LOWER CASING. DRIVE 1

BOITIER D'HELICE, TRANSMISSION 1

| REF. NO. | PART NO. NO. PIECES | DESCRIPTION DESCRIPTION | F80 | F100 | REMARKS REMARQUES |
|----------|---------------------|--|-----|------|-------------------|
| 49 | 67F-45631-00 | CLUTCH, DOG CRABOT | 1 | 1 | |
| 50 | 90250-07M02 | PIN, STRAIGHT GOUPILLE, DROITE | 1 | 1 | |
| 51 | 688-45633-00 | RING, CROSS PIN JONC, GOUPILLE CRABOT | 1 | 1 | |
| 52 | 67F-45560-00 | GEAR PIGNON | 1 | 1 | |
| 53 | 93317-322V0 | BEARING ROULEMENT | 1 | 1 | |
| 54 | 93332-000UD | BEARING ROULEMENT | 1 | 1 | |
| 55 | 688-45567-01-10 | SHIM (T:0.10MM) CALE (T:0.10MM) | 1 | 1 | UR |
| | 688-45567-01-12 | SHIM (T:0.12MM) CALE (T:0.12MM) | 1 | 1 | UR |
| | 688-45567-01-15 | SHIM (T:0.15MM) CALE (T:0.15MM) | 1 | 1 | UR |
| | 688-45567-01-18 | SHIM (T:0.18MM) CALE (T:0.18MM) | 1 | 1 | UR |
| | 688-45567-01-30 | SHIM (T:0.30MM) CALE (T:0.30MM) | 1 | 1 | UR |
| | 688-45567-01-40 | SHIM (T:0.40MM) CALE (T:0.40MM) | 1 | 1 | UR |
| | 688-45567-01-50 | SHIM (T:0.50MM) CALE (T:0.50MM) | 1 | 1 | UR |
| 56 | 67F-45571-00 | GEAR PIGNON | 1 | 1 | |
| 57 | 93306-207U0 | BEARING ROULEMENT | 1 | 1 | |
| 58 | 90201-25M05 | WASHER, PLATE RONDELLE, PLATE | 1 | 1 | |
| 59 | 67F-45611-00 | SHAFT, PROPELLER ARBRE, HELICE | 1 | 1 | |
| 60 | 67F-45331-00-94 | HOUSING, BEARING FLASQUE, ROULEMENT | 1 | 1 | |
| 61 | 93317-325U0 | BEARING ROULEMENT | 1 | 1 | |
| 62 | 93101-25M03 | OIL SEAL JOINT SPY | 2 | 2 | |
| 63 | 93210-86M39 | O-RING JOINT TORIQUE | 1 | 1 | |
| 64 | 67F-45576-00 | WASHER, THRUST RONDELLE DE CALAGE | 1 | 1 | |
| 65 | 90282-04010 | KEY, STRAIGHT CLAVETTE, DROITE | 1 | 1 | |
| 66 | 688-45383-02 | WASHER, CLAW FREIN D'ECROU | 1 | 1 | |
| 67 | 688-45384-00 | NUT ECROU | 1 | 1 | |

FIG. 30 LOWER CASING. DRIVE 2

BOITIER D'HELICE, TRANSMISSION 2



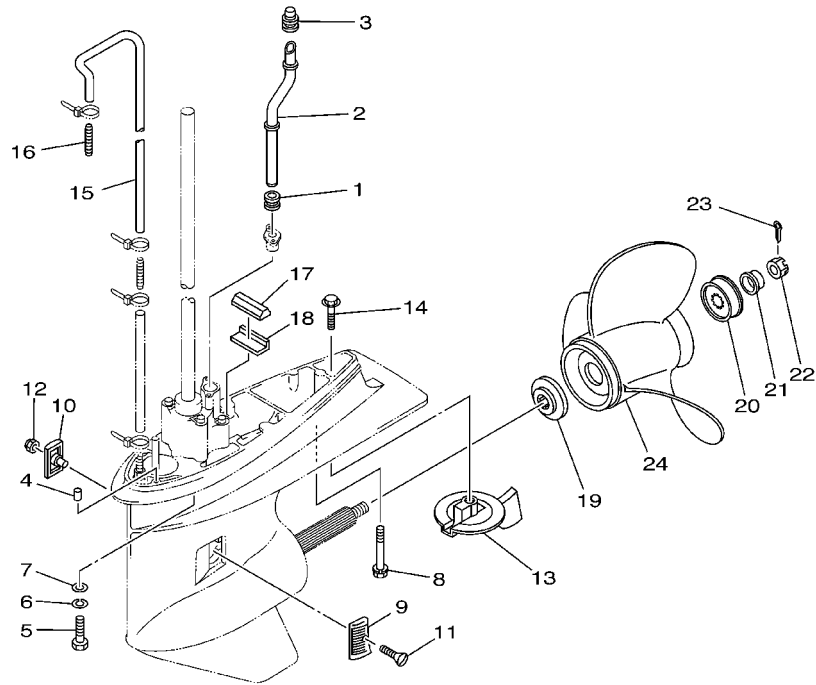
67F0010-9230

| REF. NO. | PART NO. NO. PIECES | DESCRIPTION DESCRIPTION | F80 | F100 | | REMARKS REMARQUES |
|----------|---------------------|---|-----|------|--|-------------------|
| 1 | 663-44367-00 | DAMPER, WATER SEAL JOINT TUBE D'EAU | 1 | 1 | | |
| 2 | 67F-44361-10 | TUBE, WATER TUBE D'EAU | 1 | 1 | | L |
| 3 | 67F-44365-00 | DAMPER, WATER SEAL JOINT, TUBE D'EAU | 1 | 1 | | |
| 4 | 93606-12019 | PIN, DOWEL GOUJON | 2 | 2 | | |
| 5 | 97075-10040 | BOLT BOULON | 4 | 4 | | |
| 6 | 92995-10100 | WASHER RONDELLE | 4 | 4 | | |
| 7 | 92995-10600 | WASHER RONDELLE | 4 | 4 | | |
| 8 | 90119-08M84 | BOLT, WITH WASHER BOULON, AVEC RONDELLE | 1 | 1 | | |
| 9 | 6H1-45214-00 | COVER, WATER INLET GRILLE, ENTREE D'EAU | 1 | 1 | | |
| 10 | 6H1-45215-00 | COVER, WATER INLET GRILLE, ENTREE D'EAU | 1 | 1 | | |
| 11 | 90151-05M00 | SCREW, COUNTERSUNK VIS, TETE NOYEE | 1 | 1 | | |
| 12 | 90185-05002 | NUT, SELF-LOCKING ECROU, AUTO-BLOCANT | 1 | 1 | | |
| 13 | 67F-45371-00 | TAB-TRIM ANODE DERIVE | 1 | 1 | | |
| 14 | 90105-10M67 | BOLT, FLANGE BOULON | 1 | 1 | | |
| 15 | 90445-07ME0 | HOSE (L1220) DURITE (L1220) | 1 | 1 | | |
| 16 | 6E5-83558-00 | END, NIPPLE RACCORD DE NIPPLE | 1 | 1 | | |
| 17 | 688-45375-00 | DAMPER, SEAL BOURRELET, CAOUTCHOUC | 1 | 1 | | |
| 18 | 663-45376-00-94 | GUIDE, SEAL DAMPER BUTEE, JOINT CAOUTCHOUC | 1 | 1 | | |
| 19 | 688-45987-01 | SPACER ENTRETOISE | 1 | 1 | | |
| 20 | 67F-45997-00 | SPACER ENTRETOISE | 1 | 1 | | |
| 21 | 90389-25M00 | BUSH DOUILLE | 1 | 1 | | |
| 22 | 90171-16011 | NUT, CASTLE ECROU, CRENELE | 1 | 1 | | |
| 23 | 91490-40025 | PIN, COTTER GOUPILLE, FENDUE | 1 | 1 | | |
| 24 | 6E5-45941-00-EL | PROPELLER (3X13"X19"-K) HELICE (3X13"X19"-K) | 1 | 1 | | UR |
| | 6E5-45943-00-EL | PROPELLER (3X12-5/8"X21"-K) HELICE (3X12-5/8"X21"-K) | 1 | 1 | | UR |
| | 6E5-45945-01-EL | PROPELLER (3X13-1/4"X17"-K) HELICE (3X13-1/4"X17"-K) | 1 | 1 | | UR |
| | 6E5-45947-00-EL | PROPELLER (3X13-1/2"X15"-K) HELICE (3X13-1/2"X15"-K) | 1 | 1 | | UR |

C4

FIG. 30 LOWER CASING. DRIVE 2

BOITIER D'HELICE, TRANSMISSION 2

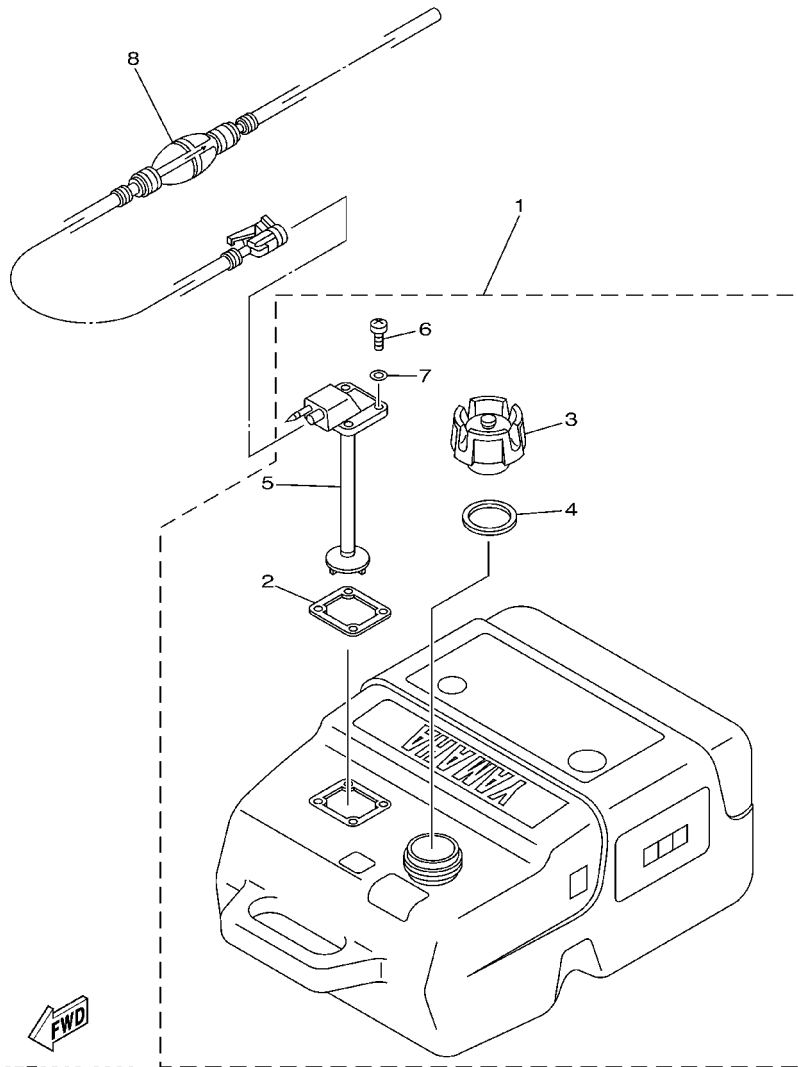


67F0010-9230

| REF. NO. | PART NO. NO. PIECES | DESCRIPTION DESCRIPTION | F80 | F100 | REMARKS REMARQUES |
|----------|---------------------|--|-----|------|-------------------|
| 24 | 6E5-45949-00-EL | PROPELLER (3X13-5/8"X13"-K) HELICE (3X13-5/8"X13"-K) | 1 | 1 | UR |
| | 6E5-45952-00-EL | PROPELLER (3X13"X23"-K) HELICE (3X13"X23"-K) | 1 | 1 | UR |
| | 6E5-45954-00-EL | PROPELLER (3X14"X11"-K) HELICE (3X14"X11"-K) | 1 | 1 | UR |
| | 6E5-45956-00-EL | PROPELLER (3X13"X25"-K) HELICE (3X13"X25"-K) | 1 | 1 | UR |
| | | STAINLESS STEEL PROPELLER ACIER INOXYDABLE HELICE | | | |
| | 688-45970-03-98 | PROPELLER (3X13"X19"-K) HELICE (3X13"X19"-K) | 1 | 1 | UR |
| | 688-45972-02-98 | PROPELLER (3X13"X21"-K) HELICE (3X13"X21"-K) | 1 | 1 | UR |
| | 688-45974-02-98 | PROPELLER (3X13"X23"-K) HELICE (3X13"X23"-K) | 1 | 1 | UR |
| | 688-45976-01-98 | PROPELLER (3X13"X25"-K) HELICE (3X13"X25"-K) | 1 | 1 | UR |
| | 688-45978-60-98 | PROPELLER (3X13-1/2"X16"-K) HELICE (3X13-1/2"X16"-K) | 1 | 1 | UR |
| | 688-45930-02-98 | PROPELLER (3X13"X17"-K) HELICE (3X13"X17"-K) | 1 | 1 | UR |
| | 688-45932-60-98 | PROPELLER (3X13-1/2"X14"-K) HELICE (3X13-1/2"X14"-K) | 1 | 1 | UR |
| | | | | | |
| | | | | | |
| | | | | | |
| | | | | | |
| | | | | | |

FIG. 31 FUEL TANK

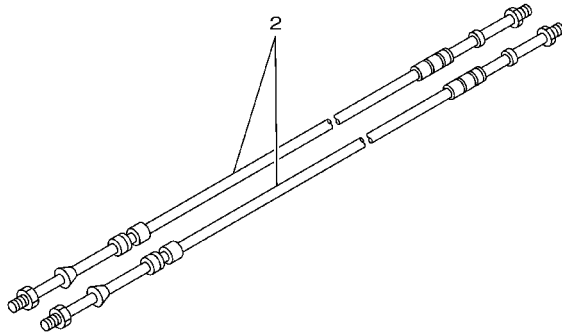
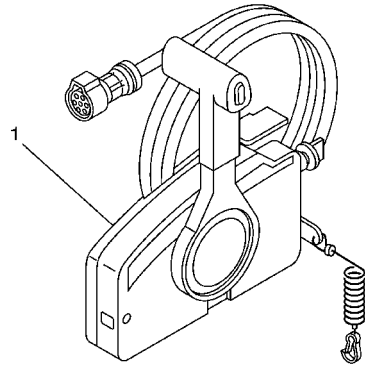
RESERVOIR A CARBURANT



| REF. NO. | PART NO. NO. PIECES | DESCRIPTION DESCRIPTION | F80 | F100 | REMARKS REMARQUES |
|----------|---------------------|--------------------------------|-----|------|---------------------------------------|
| 1 | 6YK-24201-01 | FUEL TANK ASSY | 1 | | AP PLASTIC, 25L, "SCEPTER" AP FOR SAV |
| | 6YK-24201-10 | RESERVOIR A ESSENCE (ENS.) | 1 | | |
| 2 | 6YL-24268-01 | FUEL TANK ASSY (25L) | 1 | | WITH INDICATOR |
| | 6YL-24268-01 | RESERVOIR A ESSENCE (ENS.) 25L | 1 | | |
| 3 | 6YK-24610-00 | .GASKET, FUEL METER | 1 | | FOR SAV- WITHOUT INDICATOR |
| | 6YK-24610-00 | .JOINT, JAUGE A CARBURANT | 1 | | |
| 4 | 6YK-24610-00 | .CAP ASSY | 1 | | |
| | 6YK-24610-10 | .BOUCHON | 1 | | |
| 4 | 6YL-24641-00 | .CAP ASSY | 1 | | |
| | 6YL-24641-00 | .BOUCHON | 1 | | |
| 5 | 6YL-24641-00 | .GASKET, CAP 1 | 1 | | |
| | 6YL-24641-00 | .JOINT 1, BOUCHON | 1 | | |
| 5 | 6YK-24260-01 | .FUEL METER ASSY | 1 | | |
| | 6YK-24260-01 | .INDICATEUR DE CARBURANT | 1 | | |
| 6 | 90157-05M16 | .SCREW, PAN HEAD | 4 | | |
| | 90157-05M16 | .VIS, TETE TRONCONIQUE | 4 | | |
| 7 | 6YL-24329-00 | .SEAL | 4 | | |
| | 6YL-24329-00 | .JOINT | 4 | | |
| 8 | 6YK-24306-42 | FUEL PIPE COMP. 1 | 1 | | AP |
| | 6YK-24306-42 | DURITE A ESSENCE 1 | 1 | | |

FIG. 33 REMOTE CONTROL BOX

BOITIER DE COMMANDE A DISTANCE



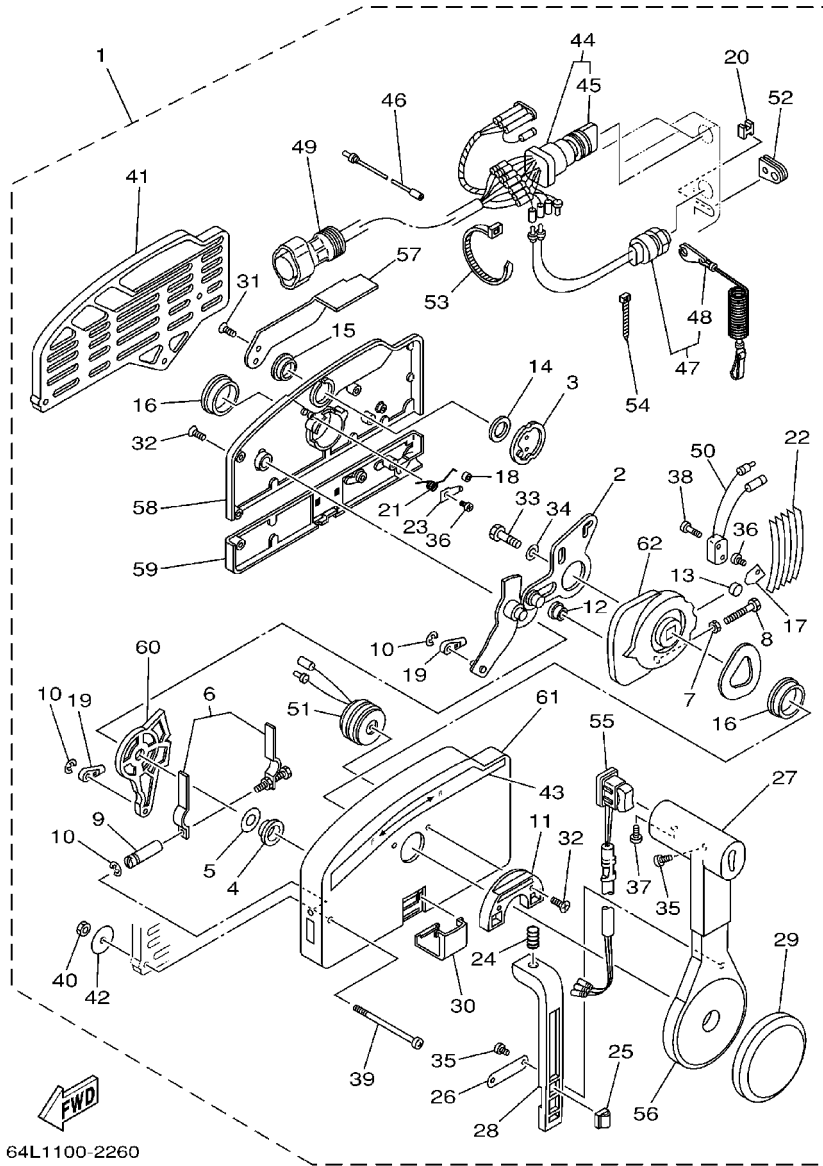
| REF. NO. | PART NO. NO. PIECES | DESCRIPTION DESCRIPTION | F80 | F100 | | REMARKS REMARQUES |
|----------|---------------------|---|-----|------|--|-------------------|
| 1 | 703-48205-17 | REMOTE CONTROL ASSY BOITIER DE COMMANDE A DISTANCE | 1 | 1 | | AP WITH PT/T SW. |
| 2 | 701-48320-50 | CABLE, REMOTE CONTROL L=15F CABLE, COMMANDE A DISTANCE:15F | 2 | 2 | | UR |
| | 701-48320-60 | CABLE, REMOTE CONTROL L=16F CABLE, COMMANDE A DISTANCE:16F | 2 | 2 | | UR |
| | 701-48320-80 | CABLE, REMOTE CONTROL L=17F CABLE, COMMANDE A DISTANCE:17F | 2 | 2 | | UR |
| | 701-48320-40 | CABLE, REMOTE CONTROL L=19F CABLE, COMMANDE A DISTANCE:19F | 2 | 2 | | UR |
| | 701-48350-00 | CABLE, REMOTE CONTROL L=21F CABLE, COMMANDE A DISTANCE:21F | 2 | 2 | | UR |
| | | | | | | |
| | | | | | | |
| | | | | | | |
| | | | | | | |
| | | | | | | |



67M0100-8280

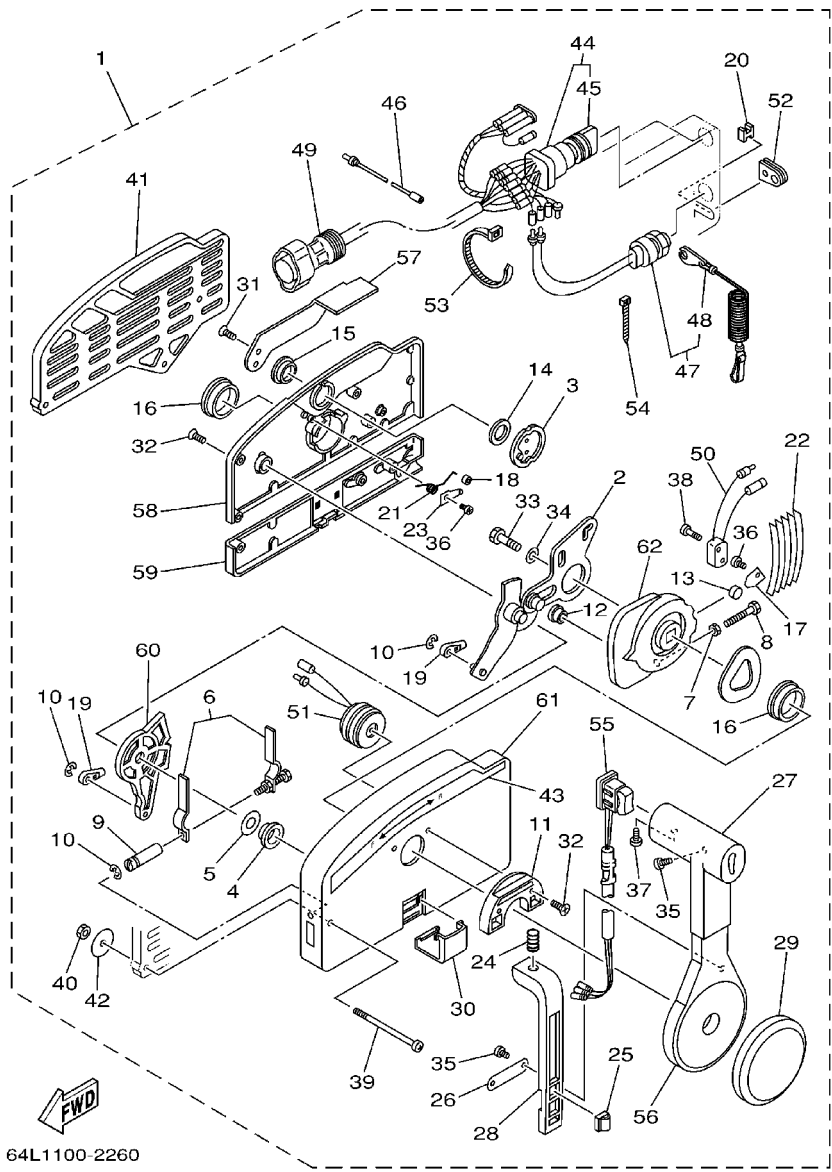
FIG. 34 REMOTE CONTROL ASSY

BOITIER DE COMMANDE A DISTANCE



64L1100-2260

| REF. NO. | PART NO. NO. PIECES | DESCRIPTION DESCRIPTION | F80 | F100 | REMARKS REMARQUES |
|----------|---------------------|---|-----|------|-------------------|
| 1 | 703-48205-17 | REMOTE CONTROL ASSY BOITIER DE COMMANDE A DISTANCE | 1 | 1 | AP WITH PT/T SW. |
| 2 | 703-48261-01 | .ARM, THROTTLE .BRAS, ACCELERATION | 1 | 1 | |
| 3 | 703-48153-00 | .SHAFT, FREE ACCEL. .AXE | 1 | 1 | |
| 4 | 703-48235-00 | .BUSHING .COUSSINET | 1 | 1 | |
| 5 | 703-48268-00 | .SPACER .ENTRETOISE | 1 | 1 | |
| 6 | 703-48264-00 | .THROTTLE, FRICTION .ACCELERATION | 1 | 1 | |
| 7 | 95380-05600 | .NUT .ECROU | 1 | 1 | |
| 8 | 97380-05025 | .BOLT .BOULON | 1 | 1 | |
| 9 | 703-48265-00 | .SHAFT, FRICTION .AXE, COPILOTE | 1 | 1 | |
| 10 | 93430-06024 | .CIRCLIP .CIRCLIP, TYPE S | 3 | 3 | |
| 11 | 703-48245-00 | .PLATE, LOCK .PLAQUE, VERROU | 1 | 1 | |
| 12 | 703-48252-00 | .ROLLER, CAM .POULIE | 1 | 1 | |
| 13 | 701-48248-00 | .ROLLER, FREE ACCEL. .POULIE | 1 | 1 | |
| 14 | 703-48198-00 | .WASHER, WAVE .RONDELLE, ELASTIQUE ONDULEE | 1 | 1 | |
| 15 | 703-48243-00 | .BUSHING .COUSSINET | 1 | 1 | |
| 16 | 703-48236-00 | .BUSHING 1 .POULIE | 2 | 2 | |
| 17 | 703-48189-00 | .RETAINER .FLASQUE | 1 | 1 | |
| 18 | 703-48234-00 | .ROLLER, DETENT .POULIE | 1 | 1 | |
| 19 | 703-48345-01 | .CABLE END,REMOTE CONTROL 2 .CHAPE CABLE | 2 | 2 | |
| 20 | 703-48358-00 | .ANCHOR, CABLE .COLLIER | 1 | 1 | |
| 21 | 703-48244-00 | .SPRING, FREE ACCEL. .RESSORT | 1 | 1 | |
| 22 | 703-48238-00 | .SPRING, DETENT .RESSORT | 5 | 5 | |
| 23 | 703-48246-00 | .SPACER .ENTRETOISE | 1 | 1 | |
| 24 | 703-48227-00 | .SPRING, NEUTRAL LOCK .RESSORT | 1 | 1 | |
| 25 | 703-82594-00 | .CLAMP .BRIDE | 1 | 1 | WITH PT/T SW. |
| 26 | 703-48226-00 | .PLATE, STOPPER .PLAQUETTE | 1 | 1 | |
| 27 | 703-48222-00 | .GRIP, CONTROL LEVER .POIGNEE, COMMANDE LEVIER | 1 | 1 | SINGLE |



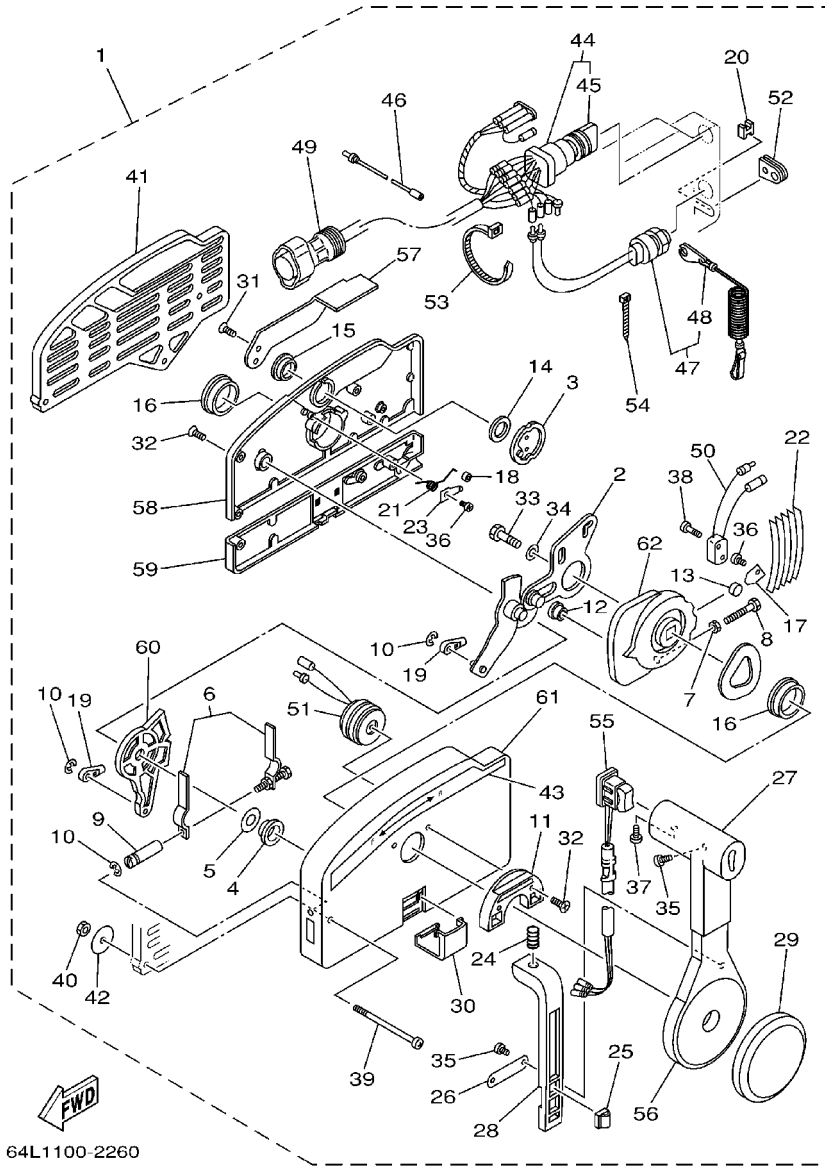
64L1100-2260

FIG. 34 REMOTE CONTROL ASSY BOITIER DE COMMANDE A DISTANCE

| REF. NO. | PART NO. NO. PIECES | DESCRIPTION DESCRIPTION | F80 | F100 | REMARKS REMARQUES |
|----------|---------------------|--|-----|------|-------------------|
| 28 | 703-48223-00 | .LOCK, NEUTRAL .VERROU, NEUTRAL | 1 | 1 | |
| 29 | 703-48225-00 | .COVER .COUVERCLE | 1 | 1 | |
| 30 | 703-48219-00 | .COVER, LEAD .COUVERCLE | 1 | 1 | |
| 31 | 703-48281-00 | .SCREW .VIS | 2 | 2 | |
| 32 | 703-48282-00 | .SCREW .VIS | 7 | 7 | |
| 33 | 97380-08030 | .BOLT .BOULON | 1 | 1 | |
| 34 | 92990-08600 | .WASHER, PLATE .RONDELLE, PLATE | 1 | 1 | |
| 35 | 98580-04010 | .SCREW, PAN HEAD .VIS, TETE TRONCONIQUE | 3 | 3 | |
| 36 | 98580-04006 | .SCREW, PAN HEAD .VIS, TETE TRONCONIQUE | 2 | 2 | |
| 37 | 98580-05010 | .SCREW, PAN HEAD .VIS, TETE TRONCONIQUE | 1 | 1 | |
| 38 | 98580-03015 | .SCREW, PAN HEAD .VIS, TETE TRONCONIQUE | 2 | 2 | |
| 39 | 703-48291-10 | .SCREW (M6) .VIS (M6) | 3 | 3 | |
| 40 | 95380-06600 | .NUT, HEXAGON .ECROU | 3 | 3 | |
| 41 | 703-48293-10 | .SPACER, REMOTE CONTROL .ENTRETOISE | 1 | 1 | SINGLE |
| 42 | 701-48287-00 | .WASHER .RONDELLE | 3 | 3 | |
| 43 | 703-48215-00 | .GRAPHIC .ADHESIF | 1 | 1 | |
| 44 | 703-82510-43 | .MAIN SWITCH ASSY .CONTACTEUR A CLEF COMPLET | 1 | 1 | |
| 45 | 703-82577-00 | .CAP, KEY .CABOCHON | 1 | 1 | |
| 46 | 703-82531-00 | .WIRE, LEAD .FIL | 1 | 1 | |
| 47 | 688-82575-01 | .ENGINE STOP SWITCH ASSY .COUPE CIRCUIT CPLT | 1 | 1 | |
| 48 | 682-82556-00 | .STOPPER .PLAQUETTE | 1 | 1 | |
| 49 | 688-8258A-20 | .EXTENSION, WIRE HARNESS .EXTENSION, FAISCEAU DE FILS | 1 | 1 | L:5M (10P) |
| 50 | 703-82540-00 | .NEUTRAL SWITCH ASSY .CONTACTEUR DE POINT-MORT | 1 | 1 | |
| 51 | 703-83383-02 | .BUZZER .RONFLEUR | 1 | 1 | |
| 52 | 703-48284-00 | .GROMMET .PASSE-FIL | 1 | 1 | |
| 53 | 703-82591-00 | .BAND .COLLIER | 1 | 1 | |
| 54 | 703-82592-00 | .BAND .COLLIER | 1 | 1 | |

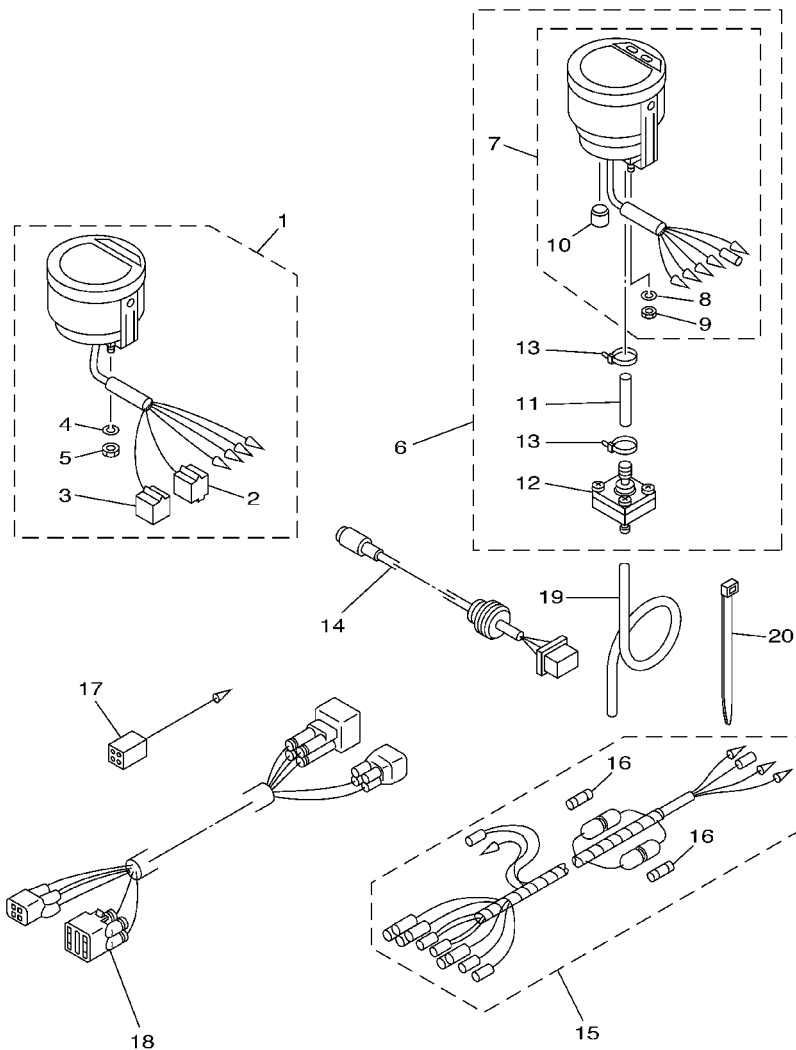
FIG. 34 REMOTE CONTROL ASSY

BOITIER DE COMMANDE A DISTANCE



64L1100-2260

| REF. NO. | PART NO. NO. PIECES | DESCRIPTION DESCRIPTION | F80 | F100 | REMARKS REMARQUES |
|----------|---------------------|--|-----|------|-------------------|
| 55 | 703-82563-02 | .TRIM & TILT SWITCH ASSY .INCLINER ET PAYER COMMUTATEUR | 1 | 1 | |
| 56 | 703-48221-00 | .LEVER, CONTROL .LEVIER, COMMANDE | 1 | 1 | |
| 57 | 703-48152-00 | .KNOB, FREE ACCEL. .BOUTON | 1 | 1 | |
| 58 | 703-48212-00 | .BACK PLATE 1 .PLAQUETTE 1 | 1 | 1 | |
| 59 | 703-48213-00 | .BACK PLATE 2 .PLAQUETTE 2 | 1 | 1 | |
| 60 | 703-48271-00 | .ARM, SHIFT .BRAS | 1 | 1 | |
| 61 | 703-48211-01 | .HOUSING,1 .CORPS | 1 | 1 | |
| 62 | 703-48232-00 | .GEAR .PIGNON | 1 | 1 | |



61A1700-2290

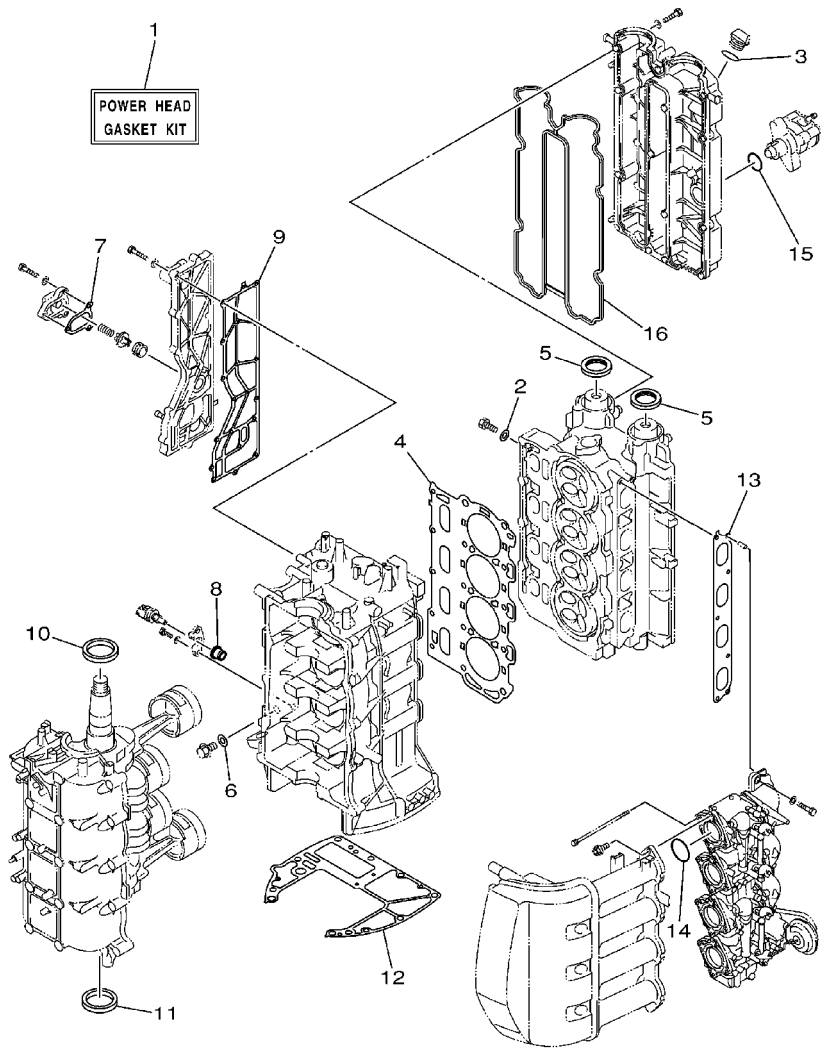
FIG. 35 METER

COMPTEUR

| REF. NO. | PART NO. NO. PIECES | DESCRIPTION DESCRIPTION | F80 | F100 | REMARKS REMARQUES |
|----------|---------------------|--|-----|------|-------------------|
| 1 | 6Y5-8350T-01 | DIGITAL TACHOMETER ASSY COMPTE-TOURS NUMERIQUE CPLT | 1 | 1 | AP |
| 2 | 9E450-04433 | .CONNECTOR .CONNECTEUR | 1 | 1 | M-4-W |
| 3 | 9E450-04533 | .CONNECTOR .CONNECTEUR | 1 | 1 | F-4-W |
| 4 | 92990-04100 | .WASHER, SPRING .RONDELLE, GROWER | 2 | 2 | |
| 5 | 95380-04600 | .NUT .ECROU | 2 | 2 | |
| 6 | 6Y5-83500-S5 | DIGITAL SPEEDOMETER ASSY TACHYMETRE NUMERIQUE CPLT. | 1 | 1 | AP |
| 7 | 6Y5-83570-S5 | .SPEEDOMETER ASSY .COMPTEUR DE VITESSE CPLT | 1 | 1 | |
| 8 | 92990-04100 | .WASHER, SPRING .RONDELLE, GROWER | 2 | 2 | |
| 9 | 95380-04600 | .NUT .ECROU | 2 | 2 | |
| 10 | 6Y5-83533-T2 | .GROMMET .RONDELLE CAOUTCHOUC | 1 | 1 | |
| 11 | 6Y5-83557-31 | .TUBE .TUBE | 1 | 1 | |
| 12 | 6Y5-83728-00 | .CONNECTOR ASSY .CONNEXION COMPLET | 1 | 1 | |
| 13 | 90465-11M10 | .CLAMP .BRIDE | 2 | 2 | |
| 14 | 6Y5-87122-S0 | CORD ASSY 1 COPDON COMPLET | 1 | 1 | AP |
| 15 | 6Y5-83553-M0 | WIRE, LEAD FIL | 1 | 1 | AP |
| 16 | 1E6-82151-00 | .FUSE (10A) .FUSIBLE (10A) | 2 | 2 | |
| 17 | 6Y5-82117-00 | WIRE, LEAD (BLACK) FIL (NOIR) | 1 | 1 | AP |
| 18 | 68F-82553-80 | EXTENSION, WIRE LEAD EXTENSION, FAISCEAU | 1 | 1 | AP |
| 19 | 6Y5-83557-10 | TUBE (8M) TUBE (8M) | 1 | 1 | AP |
| 20 | 90465-11M10 | CLAMP BRIDE | 2 | 2 | AP |

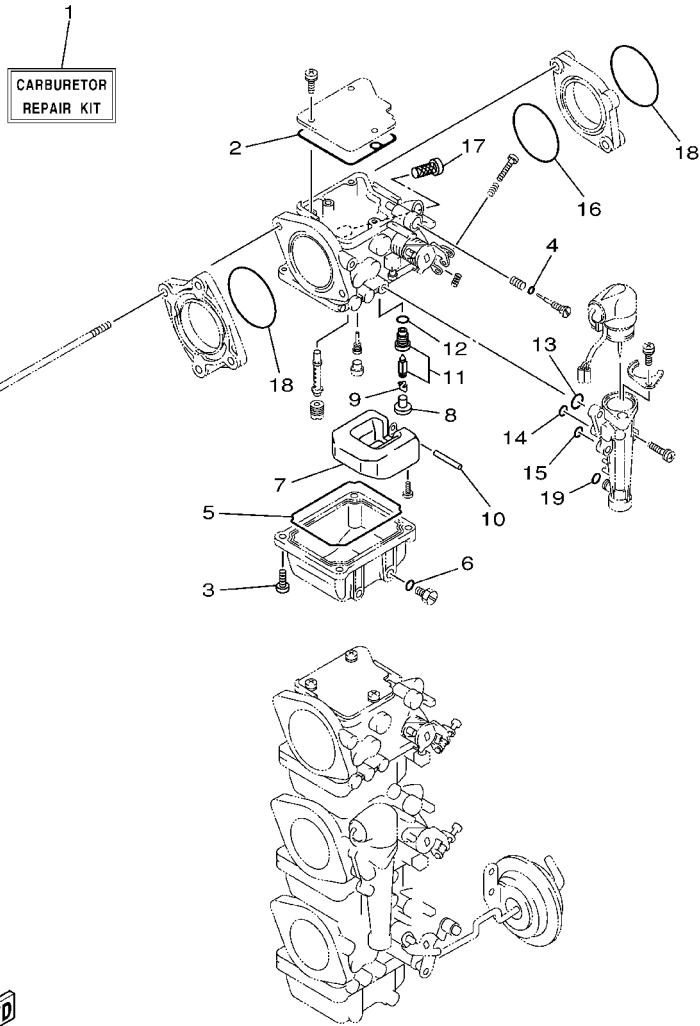
FIG. 36 REPAIR KIT 1

KITS DE REPARATION 1



| REF. NO. | PART NO. NO. PIECES | DESCRIPTION DESCRIPTION | F80 | F100 | REMARKS REMARQUES |
|----------|---------------------|--|-----|------|-------------------|
| 1 | 67F-W0001-01 | POWER HEAD GASKET KIT POCHETTE DE JINTS TETE MOTRICE | 1 | 1 | |
| 2 | 90430-08143 | .GASKET .JOINT | 4 | 4 | |
| 3 | 93210-24M79 | .O-RING .JOINT TORIQUE | 1 | 1 | |
| 4 | 67F-11181-01 | .GASKET, CYLINDER HEAD 1 .JOINT, DE CULASSE 1 | 1 | 1 | |
| 5 | 93102-38M59 | .OIL SEAL .JOINT SPY | 2 | 2 | |
| 6 | 90430-14115 | .GASKET .JOINT | 1 | 1 | |
| 7 | 67F-12435-A0 | .GASKET .JOINT | 1 | 1 | |
| 8 | 68V-85753-00 | .GASKET, SENDER UNIT .JOINT, DE PERCEPTION | 1 | 1 | |
| 9 | 67F-41114-A0 | .GASKET, EXHAUST OUTER COVER .JOINT, COUVERCLE D'ECHAPPEMEN | 1 | 1 | |
| 10 | 93102-48009 | .OIL SEAL .JOINT SPY | 1 | 1 | |
| 11 | 93101-48002 | .OIL SEAL .JOINT SPY | 1 | 1 | |
| 12 | 67F-11351-01 | .GASKET, CYLINDER .JOINT, D'EMBASE | 1 | 1 | |
| 13 | 67F-13645-00 | .GASKET, MANIFOLD 1 .JOINT, TUBULURE 1 | 1 | 1 | |
| 14 | 93210-41MJ2 | .O-RING .JOINT TORIQUE | 4 | 4 | |
| 15 | 93210-30682 | .O-RING .JOINT TORIQUE | 1 | 1 | |
| 16 | 67F-11356-00 | .SEAL, CYLINDER 2 .JOINT, SPY CYLINDRE | 1 | 1 | |

FWD
60C1200-1310



67F0100-9380

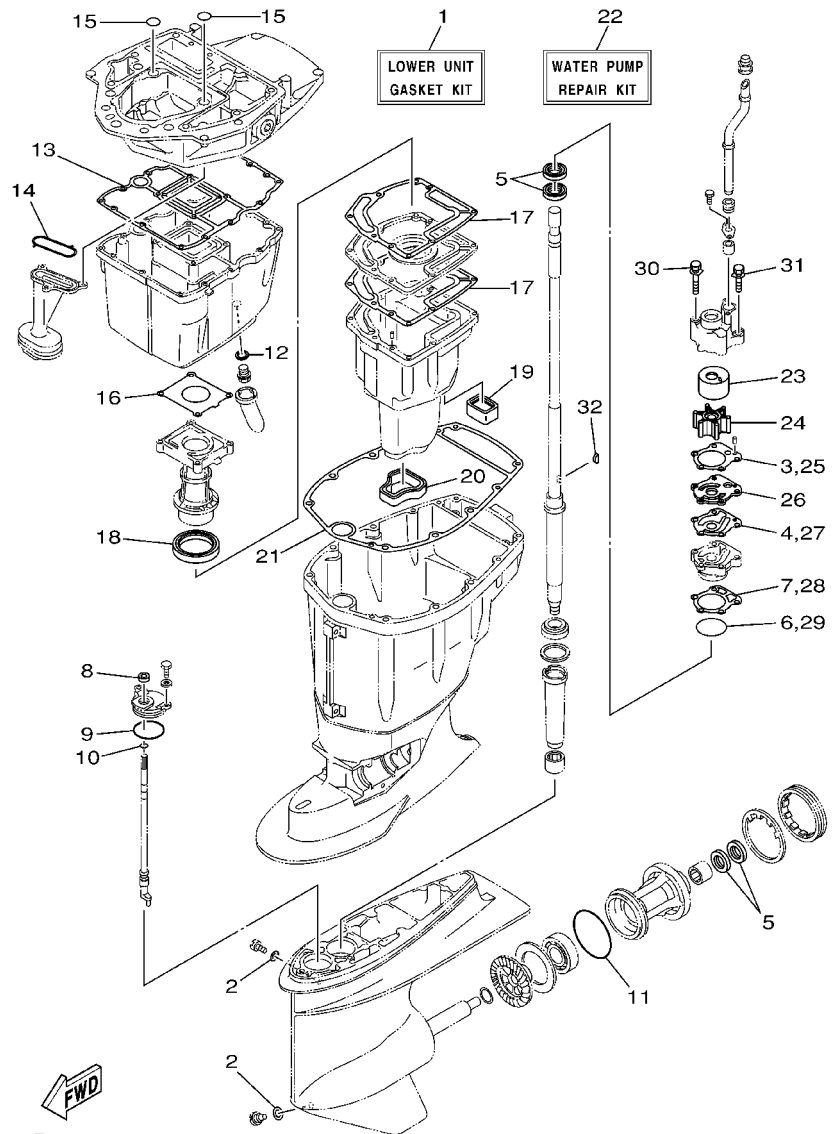
FIG. 37 REPAIR KIT 2

KITS DE REPARATION 2

| REF. NO. | PART NO. NO. PIECES | DESCRIPTION DESCRIPTION | F80 | F100 | REMARKS REMARQUES |
|----------|---------------------|--|-----|------|-------------------|
| 1 | 67F-W0093-01 | CARBURETOR REPAIR KIT KIT DE REPARATION CARBURATEUR | 1 | 1 | |
| 2 | 67F-14147-00 | .O-RING .JOINT TORIQUE | 1 | 1 | |
| 3 | 97980-04114 | .SCREW, WITH WASHER .VIS, AVEC RONDELLE | 4 | 4 | |
| 4 | 67F-14397-00 | .O-RING .JOINT TORIQUE | 1 | 1 | |
| 5 | 67F-14984-00 | .GASKET, FLOAT CHAMBER .JOINT, CUVE DE FLOTTEUR | 1 | 1 | |
| 6 | 93210-04230 | .O-RING .JOINT TORIQUE | 1 | 1 | |
| 7 | 6H4-14985-01 | .FLOAT .FLOTTEUR | 1 | 1 | |
| 8 | 676-14186-00 | .PIN, FLOAT .AXE, FLOTTEUR | 1 | 1 | |
| 9 | 663-14159-00 | .CLIP .JONC | 1 | 1 | |
| 10 | 6H4-14548-00 | .PIN, FLOAT ARM .AXE, BRAS DE FLOTTEUR | 1 | 1 | |
| 11 | 60C-14590-00 | .NEEDLE VALVE ASSY .POINTEAU | 1 | 1 | |
| 12 | 93210-04228 | .O-RING .JOINT TORIQUE | 1 | 1 | |
| 13 | 67F-14398-00 | .O-RING .JOINT TORIQUE | 1 | 1 | |
| 14 | 67F-14398-10 | .O-RING .JOINT TORIQUE | 1 | 1 | |
| 15 | 67F-14398-20 | .O-RING .JOINT TORIQUE | 1 | 1 | |
| 16 | 67F-14239-00 | .SEAL .JOINT | 1 | 1 | |
| 17 | 67F-14371-01 | .ELEMENT, FILTER .ELEMENT, FILTRE | 1 | 1 | |
| 18 | 93210-40M10 | .O-RING .JOINT TORIQUE | 2 | 2 | |
| 19 | 67F-14398-30 | .O-RING .JOINT TORIQUE | 1 | 1 | |

FIG. 38 REPAIR KIT 3

KITS DE PEPARATION 3



67F0100-9390

| REF. NO. | PART NO. NO. PIECES | DESCRIPTION DESCRIPTION | F80 | F100 | REMARKS REMARQUES |
|----------|---------------------|---|-----|------|-------------------|
| 1 | 67F-W0001-20 | LOWER UNIT GASKET KIT POCHETTE DE JOINTS EMBASE | 1 | 1 | |
| 2 | 90430-08020 | .GASKET .JOINT | 2 | 2 | |
| 3 | 688-44315-A0 | .GASKET, WATER PUMP .JOINT, POMPE A EAU | 1 | 1 | |
| 4 | 688-44324-A0 | .GASKET, CARTRIDGE .JOINT | 1 | 1 | |
| 5 | 93101-25M03 | .OIL SEAL .JOINT SPY | 4 | 4 | |
| 6 | 93210-46044 | .O-RING .JOINT TORIQUE | 1 | 1 | |
| 7 | 688-44316-A0 | .GASKET, WATER PUMP .JOINT, POMPE A EAU | 1 | 1 | |
| 8 | 93106-09014 | .OIL SEAL .JOINT SPY | 1 | 1 | |
| 9 | 93210-49046 | .O-RING .JOINT TORIQUE | 1 | 1 | |
| 10 | 93210-07003 | .O-RING .JOINT TORIQUE | 1 | 1 | |
| 11 | 93210-86M39 | .O-RING .JOINT TORIQUE | 1 | 1 | |
| 12 | 90430-14M09 | .GASKET .JOINT | 1 | 1 | |
| 13 | 67F-15312-00 | .GASKET, OIL PAN .JOINT DE VENTILATEUR D'HUILE | 1 | 1 | |
| 14 | 67F-13415-00 | .SEAL, OIL STRAINER .JOINT, FILTRE A HUILE | 1 | 1 | |
| 15 | 93210-19MJ1 | O-RING .JOINT TORIQUE | 2 | 2 | |
| 16 | 67F-41133-A0 | .GASKET, EXHAUST MANIFOLD 1 .JOINT, PIPE D'ECHAPPEMENT | 1 | 1 | |
| 17 | 67F-41134-A0 | .GASKET, EXHAUST MANIFOLD .JOINT, PIPE D'ECHAPPEMENT | 2 | 2 | |
| 18 | 67F-41138-00 | .SEAL, EXT. 1 .JOINT DE GROUPE 1 | 1 | 1 | |
| 19 | 67F-45127-00 | .SEAL .JOINT | 1 | 1 | |
| 20 | 67F-45123-00 | .GASKET, MUFFLER .JOINT, POT DE DETENTE | 1 | 1 | |
| 21 | 67F-45113-00 | .GASKET, UPPER CASING .JOINT, TUBE D'ARBRE | 1 | 1 | |
| 22 | 67F-W0078-00 | WATER PUMP REPAIR KIT KIT DE REPARATION DE LA POMPE | 1 | 1 | |
| 23 | 67F-44322-00 | .INSERT, CARTRIDGE .CUVETTE | 1 | 1 | |
| 24 | 67F-44352-00 | .IMPELLER .TURBINE | 1 | 1 | |
| 25 | 688-44315-A0 | .GASKET, WATER PUMP .JOINT, POMPE A EAU | 1 | 1 | |
| 26 | 67F-44323-00 | .OUTER PLATE, CARTRIDGE .PLAQUE EXTERIEURE | 1 | 1 | |
| 27 | 688-44324-A0 | .GASKET, CARTRIDGE .JOINT | 1 | 1 | |

NUMERICAL INDEX
INDEX NUMERIQUE

| PART NO. NO. PIECES | REF. NO. | PART NO. NO. PIECES | REF. NO. | PART NO. NO. PIECES | REF. NO. | PART NO. NO. PIECES | REF. NO. | PART NO. NO. PIECES | REF. NO. | PART NO. NO. PIECES | REF. NO. |
|------------------------|-------------|------------------------|-------------|------------------------|-------------|------------------------|-------------|------------------------|-------------|------------------------|-------------|
| K0A-A3721-00 | 5 - 7 | 67F-11656-00 | 3 - 10 | 67F-12169-F0 | 5 - 10 | 67F-13769-00 | 28 - 20 | 67F-14398-30 | 37 - 19 | 67F-15100-03-1S | 2 - 2 |
| K0A-A3722-00 | 5 - 8 | 67F-11656-10 | 3 - 10 | 67F-12169-G0 | 5 - 10 | 67F-1412A-00 | 8 - 1 | 67F-14440-00 | 6 - 19 | 67F-15142-00 | 2 - 12 |
| 67F-W0001-01 | 36 - 1 | 67F-11656-20 | 3 - 10 | 67F-12169-H0 | 5 - 10 | 67F-14523-00 | 9 - 1 | 63V-14523-00 | 7 - 18 | 67F-15311-00-5B | 28 - 1 |
| 67F-W0001-20 | 38 - 1 | 67F-11656-30 | 3 - 10 | 67F-12169-J0 | 5 - 10 | 67F-14146-00 | 7 - 7 | 6H4-14548-00 | 7 - 31 | 67F-15312-00 | 28 - 8 |
| 67F-W0070-10 | 1 - 16 | 68V-12111-00 | 5 - 1 | 67F-12169-K0 | 5 - 10 | 67F-14147-00 | 7 - 8 | | 37 - 10 | | 38 - 13 |
| 67F-W0078-00 | 38 - 22 | 67F-12114-00 | 5 - 4 | 67F-12169-L0 | 5 - 10 | | 37 - 2 | 67F-14555-00 | 7 - 16 | 67F-15316-00 | 28 - 2 |
| 67G-W0084-11-4D | 18 - 1 | 67F-12116-00 | 5 - 3 | 67F-12169-M0 | 5 - 10 | 663-14159-00 | 7 - 30 | 697-14555-00 | 7 - 6 | 68V-15362-00 | 28 - 26 |
| 60C-W009A-00-1S | 4 - 1 | 67F-12117-00 | 5 - 5 | 67F-12169-N0 | 5 - 10 | | 37 - 9 | 67F-14556-00 | 7 - 17 | 6G8-15363-00 | 4 - 35 |
| 67F-W009B-04-1S | 2 - 1 | 67F-12118-00 | 5 - 6 | 67F-12169-00 | 5 - 10 | 67F-14178-00 | 7 - 37 | 67F-14565-00 | 7 - 40 | 67F-15373-00 | 6 - 13 |
| 67F-W0093-01 | 37 - 1 | 68V-12121-00 | 5 - 2 | 67F-12169-10 | 5 - 10 | 676-14186-00 | 7 - 29 | 67F-14567-00 | 7 - 15 | 1UF-22434-00 | 25 - 41 |
| 67F-11110-10-94 | 4 - 2 | 67F-12138-60 | 12 - 24 | 67F-12169-20 | 5 - 10 | | 37 - 8 | | 7 - 48 | 67F-22435-00 | 25 - 22 |
| 62Y-11119-00 | 2 - 8 | 67F-12153-00 | 5 - 9 | 67F-12169-30 | 5 - 10 | 67F-14189-00 | 8 - 11 | 6K7-14573-00 | 15 - 17 | 67F-22471-01 | 25 - 36 |
| 67F-11133-10 | 4 - 3 | 67F-12168-A0 | 5 - 10 | 67F-12169-40 | 5 - 10 | 67F-14216-00 | 6 - 2 | 6H2-14578-00 | 7 - 22 | 68V-24149-00 | 10 - 26 |
| 67F-11168-00 | 4 - 22 | 67F-12168-B0 | 5 - 10 | 67F-12169-50 | 5 - 10 | 67F-14239-00 | 6 - 3 | 67F-14585-00 | 8 - 10 | 6YK-24201-01 | 31 - 1 |
| 67F-11181-01 | 4 - 17 | 67F-12168-C0 | 5 - 10 | 67F-12169-60 | 5 - 10 | | 37 - 16 | | 9 - 4 | 6YK-24201-10 | 31 - 1 |
| | 36 - 4 | 67F-12168-D0 | 5 - 10 | 67F-12169-70 | 5 - 10 | 67F-14243-00 | 6 - 1 | 60C-14590-00 | 7 - 33 | 6YK-24260-01 | 31 - 5 |
| 68V-11191-00-1S | 4 - 21 | 67F-12168-E0 | 5 - 10 | 67F-12169-80 | 5 - 10 | 67F-14255-00 | 7 - 47 | | 37 - 11 | 6YL-24268-01 | 31 - 2 |
| 67F-11192-00 | 4 - 29 | 67F-12168-F0 | 5 - 10 | 67F-12171-00 | 5 - 11 | 67F-14271-00 | 6 - 4 | 67F-14592-00 | 7 - 38 | 6YK-24306-42 | 11 - 1 |
| 67F-11325-00 | 2 - 24 | 67F-12168-G0 | 5 - 10 | 67F-12181-00 | 5 - 12 | 60C-14294-00 | 8 - 15 | 67F-14711-00-5B | 27 - 11 | | 31 - 8 |
| | 4 - 8 | 67F-12168-H0 | 5 - 10 | 67F-12411-00 | 4 - 31 | | 9 - 7 | 67F-14860-00 | 7 - 49 | 67F-24312-00 | 17 - 35 |
| 67F-11327-00-94 | 2 - 25 | 67F-12168-J0 | 5 - 10 | 68V-12413-00-1S | 4 - 32 | 60C-14298-00 | 8 - 16 | 67F-14901-20 | 7 - 1 | 6YL-24329-00 | 31 - 7 |
| | 4 - 9 | 67F-12168-K0 | 5 - 10 | 6G5-12416-00 | 2 - 18 | | 9 - 8 | 67G-14901-30 | 7 - 1 | 68F-24356-00 | 8 - 14 |
| 67F-11328-00 | 2 - 28 | 67F-12168-L0 | 5 - 10 | 67F-1243A-00 | 2 - 31 | 67F-14325-00 | 7 - 44 | 67G-14901-50 | 7 - 1 | | 9 - 5 |
| | 4 - 12 | 67F-12168-M0 | 5 - 10 | 67F-12435-A0 | 2 - 22 | 67F-14348-00 | 9 - 9 | 67F-14902-20 | 7 - 2 | 63D-24364-00 | 19 - 13 |
| 67F-11351-01 | 2 - 34 | 67F-12168-N0 | 5 - 10 | | 36 - 7 | 67F-14349-00 | 8 - 3 | 67G-14902-30 | 7 - 2 | 63D-24367-00 | 19 - 12 |
| | 36 - 12 | 67F-12168-PO | 5 - 10 | 67F-1246A-00-1S | 2 - 21 | | 9 - 3 | 67G-14902-50 | 7 - 2 | 68V-24374-00 | 10 - 22 |
| 67F-11356-00 | 4 - 26 | 67F-12168-RO | 5 - 10 | 67F-12572-00 | 17 - 30 | 67F-14349-10 | 8 - 4 | 67F-14903-20 | 7 - 3 | 6R3-24377-00 | 10 - 2 |
| | 36 - 16 | 67F-12168-S0 | 5 - 10 | 6R3-12581-00 | 17 - 32 | 67F-14349-20 | 8 - 5 | 67F-14904-20 | 7 - 4 | 688-24378-00 | 8 - 17 |
| 67F-11411-00 | 3 - 1 | 67F-12168-T0 | 5 - 10 | 6R3-12582-00 | 17 - 33 | | 9 - 2 | 67G-14904-30 | 7 - 4 | | 9 - 10 |
| 67F-11416-00 | 3 - 4 | 67F-12168-U0 | 5 - 10 | 6R3-12583-00 | 17 - 34 | 67F-14349-30 | 8 - 6 | 67G-14904-50 | 7 - 4 | 68V-24410-00 | 10 - 16 |
| 67F-11416-10 | 3 - 4 | 67F-12168-V0 | 5 - 10 | 67F-13119-01 | 28 - 18 | 67F-14349-40 | 8 - 7 | 67F-14923-00 | 7 - 5 | 68V-24411-00 | 10 - 21 |
| 67F-11416-20 | 3 - 4 | 67F-12168-W0 | 5 - 10 | 68V-13131-00 | 10 - 19 | 67F-14349-50 | 8 - 8 | 67F-14923-10 | 7 - 5 | 68V-24412-00 | 10 - 17 |
| 67F-11417-00 | 3 - 5 | 67F-12168-X0 | 5 - 10 | 67F-13183-00 | 8 - 2 | 67F-14349-60 | 8 - 9 | 67F-1494F-04 | 7 - 12 | 68V-24413-00 | 10 - 23 |
| 67F-11417-10 | 3 - 5 | 67F-12168-Y0 | 5 - 10 | 67F-13300-03 | 28 - 14 | 67F-14349-70 | 8 - 12 | 67F-14943-32 | 7 - 14 | 68V-24414-00 | 10 - 24 |
| 67F-11417-20 | 3 - 5 | 67F-12168-00 | 5 - 10 | 67F-13314-01 | 28 - 15 | 67F-14369-00 | 7 - 43 | 67G-14943-29 | 7 - 14 | 68V-24423-00 | 10 - 20 |
| 67F-11417-30 | 3 - 5 | 67F-12168-10 | 5 - 10 | 67F-13329-00 | 28 - 17 | 67F-14371-01 | 7 - 45 | 67G-14943-80 | 7 - 14 | 68V-24444-00 | 10 - 25 |
| 67F-11418-00 | 3 - 6 | 67F-12168-20 | 5 - 10 | 67F-13338-00 | 28 - 21 | | 37 - 17 | 67F-14947-10 | 7 - 13 | 68V-24454-00 | 10 - 18 |
| 67F-11418-10 | 3 - 6 | 67F-12168-30 | 5 - 10 | 67F-13411-00 | 28 - 9 | 67F-14378-00 | 7 - 35 | 67G-14947-00 | 7 - 13 | 68V-24469-01 | 10 - 9 |
| 67F-11418-20 | 3 - 6 | 67F-12168-40 | 5 - 10 | 67F-13415-00 | 28 - 13 | 67F-14380-01 | 7 - 36 | 67G-14948-05 | 7 - 12 | 67F-24491-00 | 10 - 34 |
| 67F-11536-00 | 5 - 23 | 67F-12168-50 | 5 - 10 | | 38 - 14 | 67F-14397-00 | 7 - 21 | 676-14966-00 | 7 - 10 | 68V-24495-00 | 10 - 31 |
| 67F-11537-00 | 5 - 14 | 67F-12168-60 | 5 - 10 | 67F-13434-02 | 1 - 20 | | 37 - 4 | 67F-14980-00 | 7 - 23 | 68V-24521-01 | 10 - 6 |
| 67F-11590-00 | 5 - 18 | 67F-12168-70 | 5 - 10 | 67F-13437-60 | 12 - 25 | 67F-14398-00 | 7 - 39 | 67F-14980-10 | 7 - 24 | 60C-24560-00 | 10 - 5 |
| 67F-11595-00 | 5 - 21 | 67F-12168-80 | 5 - 10 | 5GH-13440-00 | 2 - 39 | | 37 - 13 | 67F-14984-00 | 7 - 25 | 61N-24563-00 | 10 - 7 |
| 67F-11603-01 | 3 - 9 | 67F-12169-A0 | 5 - 10 | 67F-13473-01 | 28 - 16 | 67F-14398-10 | 7 - 41 | | 37 - 5 | 68V-24566-00 | 10 - 11 |
| 67F-11604-01 | 3 - 9 | 67F-12169-B0 | 5 - 10 | 67F-13631-02 | 28 - 19 | | 37 - 14 | 6H4-14985-01 | 7 - 28 | 67F-24575-00 | 10 - 30 |
| 67F-11640-00 | 3 - 7 | 67F-12169-C0 | 5 - 10 | 67F-13641-00-94 | 6 - 6 | 67F-14398-20 | 7 - 42 | | 37 - 7 | 6YK-24610-00 | 31 - 3 |
| 67F-11640-10 | 3 - 7 | 67F-12169-D0 | 5 - 10 | 67F-13645-00 | 6 - 12 | | 37 - 15 | 6H3-14992-00 | 7 - 26 | 6YK-24610-10 | 31 - 3 |
| 67F-11654-00 | 3 - 8 | 67F-12169-E0 | 5 - 10 | | 36 - 13 | 67F-14398-30 | 7 - 46 | 67F-14998-00 | 7 - 20 | 6YL-24641-00 | 31 - 4 |

NUMERICAL INDEX
INDEX NUMERIQUE

| PART NO. NO. PIECES | REF. NO. | PART NO. NO. PIECES | REF. NO. | PART NO. NO. PIECES | REF. NO. | PART NO. NO. PIECES | REF. NO. | PART NO. NO. PIECES | REF. NO. | PART NO. NO. PIECES | REF. NO. |
|------------------------|-------------|------------------------|-------------|------------------------|-------------|------------------------|-------------|------------------------|-------------|------------------------|-------------|
| 67G-26301-10 | 18 - 40 | 67F-42647-00 | 1 - 2 | 67F-43805-00 | 26 - 2 | 62X-43865-00 | 25 - 31 | 688-44316-A0 | 38 - 28 | 6E5-45378-00 | 29 - 6 |
| 67F-28100-00 | 10 - 37 | 67F-42649-00 | 1 - 8 | 67F-43808-00 | 25 - 63 | | | 67F-44322-00 | 29 - 24 | 688-45383-02 | 29 - 66 |
| 67F-2812A-00 | 14 - 23 | 67F-42652-00 | 1 - 5 | 67F-4381B-00 | 25 - 38 | 6H1-43866-00 | 25 - 51 | | 38 - 23 | 688-45384-00 | 29 - 67 |
| 6A1-28176-00 | 17 - 45 | 67F-42662-00 | 1 - 9 | 67F-4381J-00 | 25 - 35 | 6H1-43867-00 | 25 - 54 | 67F-44323-00 | 29 - 28 | 67F-45501-10 | 29 - 10 |
| 67F-41113-01-1S | 2 - 13 | 67F-42677-10 | 1 - 14 | 67F-43810-01 | 25 - 4 | 62X-43871-00 | 25 - 24 | | 38 - 26 | 688-45536-01 | 29 - 14 |
| 67F-41114-A0 | 2 - 14 | 67G-42677-10 | 1 - 14 | 6H1-43812-00 | 25 - 13 | 67F-43871-00 | 25 - 43 | 688-44324-A0 | 29 - 29 | 67F-45551-00 | 29 - 11 |
| | 36 - 9 | 67F-42678-10 | 1 - 15 | 6H1-43816-00 | 25 - 60 | 6H1-43872-10 | 25 - 6 | | 38 - 4 | 67F-45560-00 | 29 - 52 |
| 67F-41131-00-5B | 27 - 7 | 67G-42678-10 | 1 - 15 | 67F-43816-00 | 25 - 29 | | 25 - 9 | | 38 - 27 | 688-45567-01-10 | 29 - 55 |
| 67F-41133-A0 | 27 - 8 | 67F-42681-10 | 1 - 17 | 65W-43817-00 | 25 - 83 | 6H1-43875-00 | 25 - 73 | 688-44341-01-94 | 29 - 30 | 688-45567-01-12 | 29 - 55 |
| | 38 - 16 | 67F-42682-10 | 1 - 18 | 67F-43817-00 | 25 - 52 | 61A-43875-00 | 25 - 71 | 67F-44352-00 | 29 - 25 | 688-45567-01-15 | 29 - 55 |
| 67F-41134-A0 | 27 - 17 | 67F-42710-00-4D | 17 - 1 | 67F-43818-00 | 22 - 32 | 62X-43875-00 | 25 - 42 | | 38 - 24 | 688-45567-01-18 | 29 - 55 |
| | 38 - 17 | 648-42715-00 | 21 - 23 | 67F-4382F-00 | 25 - 50 | 67F-43875-00 | 25 - 37 | 67F-44361-10 | 30 - 2 | 688-45567-01-30 | 29 - 55 |
| 67F-41137-01-94 | 27 - 3 | 61A-42716-00 | 17 - 37 | 67F-4382G-00 | 25 - 64 | 62X-43878-00 | 25 - 59 | 67F-44365-00 | 30 - 3 | 688-45567-01-40 | 29 - 55 |
| 67F-41138-00 | 27 - 19 | 67F-42717-00 | 17 - 25 | 67F-43821-00 | 25 - 5 | 67F-43879-00 | 26 - 13 | 663-44366-00 | 29 - 21 | 688-45567-01-50 | 29 - 55 |
| | 38 - 18 | 67F-42724-00 | 27 - 2 | 67F-43825-03 | 25 - 58 | 67F-4388A-00 | 25 - 32 | 663-44367-00 | 30 - 1 | 67F-45571-00 | 29 - 56 |
| 67F-41213-01 | 21 - 41 | 63D-42725-00 | 18 - 55 | 6H1-43829-00 | 25 - 44 | 67F-43880-00 | 25 - 91 | 6H3-44391-01 | 17 - 23 | 67F-45576-00 | 29 - 64 |
| 67F-41237-00 | 21 - 38 | 67G-42725-00 | 19 - 31 | 67F-43830-00 | 25 - 78 | | 26 - 1 | 67F-44514-00-94 | 23 - 16 | 688-45587-01-10 | 29 - 16 |
| 682-41237-00 | 21 - 39 | 68V-42725-00 | 17 - 19 | 6H1-43831-10 | 25 - 48 | 67F-43881-00 | 26 - 9 | 6H1-44526-00 | 22 - 39 | 688-45587-01-12 | 29 - 16 |
| 67F-41661-00-94 | 21 - 35 | 6H1-42726-20 | 17 - 22 | 6H1-4384F-10 | 25 - 79 | 67F-43882-00 | 26 - 10 | 67F-44526-00 | 23 - 19 | 688-45587-01-15 | 29 - 16 |
| 67G-42111-00-4D | 18 - 2 | 6G1-42727-00 | 27 - 6 | 62X-4384H-00 | 25 - 40 | 67F-43886-00 | 26 - 8 | 67F-44533-00 | 23 - 22 | 688-45587-01-18 | 29 - 16 |
| 67G-42115-10 | 18 - 18 | 67G-42735-00 | 19 - 3 | 67F-43840-02 | 25 - 2 | 67F-43887-00 | 26 - 12 | 68F-44533-00 | 2 - 38 | 688-45587-01-30 | 29 - 16 |
| 664-42119-00 | 18 - 3 | 67F-42738-00-5B | 17 - 17 | 62X-43841-00 | 25 - 56 | 65W-43888-00 | 25 - 57 | 67F-44551-00-4D | 23 - 14 | 688-45587-01-40 | 29 - 16 |
| 67G-42121-00-4D | 18 - 56 | 67F-42741-00-4D | 17 - 38 | 67F-43843-00 | 25 - 89 | 67F-43891-00 | 26 - 4 | 67F-44553-00-4D | 23 - 33 | 688-45587-01-50 | 29 - 16 |
| 63D-42126-00 | 18 - 11 | 6H4-42748-00 | 17 - 24 | 6H1-43844-10 | 25 - 80 | 67F-43893-00 | 25 - 20 | 67F-44555-00-94 | 23 - 24 | 67F-45611-00 | 29 - 59 |
| 67G-42131-00 | 18 - 50 | 67F-42756-00 | 17 - 20 | 61A-43845-00 | 25 - 70 | 67F-43895-00 | 25 - 88 | 67F-44575-00 | 23 - 32 | 67F-45631-00 | 29 - 49 |
| 6H2-42137-00 | 18 - 5 | 67F-42761-00-94 | 2 - 35 | 61A-43847-00 | 25 - 75 | 67F-43896-00 | 26 - 11 | 67F-45111-10-4D | 27 - 22 | 688-45633-00 | 29 - 51 |
| 650-42152-00-94 | 18 - 19 | 67F-42815-00-4D | 17 - 5 | 61A-43848-00 | 25 - 68 | 62X-43899-00 | 25 - 39 | 67F-45113-00 | 27 - 31 | 67F-45634-00 | 29 - 43 |
| 67G-42153-00 | 18 - 25 | 67F-42816-00-4D | 17 - 6 | 67F-4385A-01 | 25 - 11 | 67F-43899-00 | 25 - 28 | | 38 - 21 | 6H1-45635-00 | 29 - 45 |
| 67F-42154-00-94 | 21 - 26 | 67F-42818-00 | 17 - 9 | 67F-4385H-00 | 25 - 84 | 67G-44100-10 | 18 - 15 | 67F-45123-00 | 27 - 21 | 6H1-45668-00 | 29 - 44 |
| 67G-42159-00 | 18 - 21 | 67F-42828-00-5B | 17 - 7 | 67F-43850-00 | 25 - 85 | 67G-44104-00 | 18 - 16 | | 38 - 20 | 688-45930-02-98 | 30 - 24 |
| 6G1-42177-00 | 18 - 4 | 67F-43111-00-4D | 22 - 1 | 67F-43851-00 | 25 - 61 | 67G-44113-00 | 18 - 22 | 67F-45127-00 | 27 - 20 | 688-45932-60-98 | 30 - 24 |
| 67G-42508-00 | 20 - 1 | 67F-43112-00-4D | 22 - 4 | 65W-43853-00 | 25 - 19 | 67F-44117-00 | 21 - 5 | | 38 - 19 | 6E5-45941-00-EL | 30 - 24 |
| 67F-42510-10-4D | 23 - 8 | 67F-43126-00 | 22 - 28 | 61A-43854-00 | 25 - 69 | 67F-44118-00 | 21 - 18 | 67F-45151-00 | 27 - 27 | 6E5-45943-00-EL | 30 - 24 |
| 67G-42526-00 | 20 - 11 | 64E-43131-01 | 22 - 12 | 6H1-43856-10 | 25 - 81 | 67F-44120-10 | 21 - 14 | 67F-45155-00 | 27 - 30 | 6E5-45945-01-EL | 30 - 24 |
| 63D-42527-00 | 20 - 6 | 64E-43139-02 | 23 - 4 | | 25 - 87 | 67F-44121-00 | 21 - 11 | 67F-45180-00-4D | 24 - 1 | 6E5-45947-00-EL | 30 - 24 |
| 63D-42528-00 | 20 - 17 | 64D-43144-00 | 17 - 14 | 67F-43857-00 | 25 - 34 | 688-44122-00 | 21 - 8 | 67F-45181-00-5B | 27 - 18 | 6E5-45949-00-EL | 30 - 24 |
| 67G-42541-00 | 20 - 4 | 66T-43144-00 | 22 - 22 | 6T4-4386A-00 | 25 - 33 | 67G-44132-00 | 18 - 26 | 6H1-45214-00 | 30 - 9 | 6E5-45952-00-EL | 30 - 24 |
| 67G-42541-10 | 20 - 7 | 6E5-43145-01 | 32 - 8 | 65W-4386A-00 | 25 - 17 | 67F-44135-00 | 21 - 42 | 6H1-45215-00 | 30 - 10 | 6E5-45954-00-EL | 30 - 24 |
| 624-42542-00 | 13 - 3 | 67F-43181-00 | 22 - 18 | 67F-4386A-00 | 25 - 90 | 67F-44150-00 | 29 - 39 | 6H1-45251-03 | 22 - 37 | 6E5-45956-00-EL | 30 - 24 |
| 67G-42546-00 | 20 - 5 | 67F-43311-10-4D | 22 - 7 | 688-4386F-00 | 25 - 18 | 67G-44159-00-4D | 18 - 45 | 67F-45300-10-4D | 29 - 1 | 688-45970-03-98 | 30 - 24 |
| 67G-42561-00 | 20 - 15 | 682-43318-01 | 20 - 8 | 67F-4386K-00 | 26 - 6 | 67G-44173-00 | 18 - 46 | 67F-45301-00-4D | 29 - 2 | 688-45972-02-98 | 30 - 24 |
| 67G-42562-00 | 20 - 16 | 67F-43631-00 | 22 - 20 | 61A-43860-20 | 25 - 67 | 6G8-44191-00 | 18 - 48 | 67F-45318-00 | 27 - 25 | 688-45974-02-98 | 30 - 24 |
| 67F-42610-10-4D | 1 - 1 | 67F-4380F-00 | 26 - 7 | 65W-43861-00 | 25 - 82 | 67F-44311-00 | 29 - 17 | 688-45321-00 | 29 - 34 | 688-45976-01-98 | 30 - 24 |
| 67G-42610-10-4D | 1 - 1 | 67F-4380K-00 | 25 - 3 | 67F-43861-00 | 25 - 14 | 688-44315-A0 | 29 - 27 | 67F-45331-00-94 | 29 - 60 | 688-45978-60-98 | 30 - 24 |
| 67F-42613-00-4D | 1 - 10 | 67F-4380R-00 | 25 - 8 | 62X-43862-00 | 25 - 15 | | 38 - 3 | 688-45341-10 | 29 - 4 | 688-45987-01 | 30 - 19 |
| 67F-42615-00 | 1 - 13 | 67F-43800-03-4D | 25 - 1 | 65W-43862-00 | 25 - 76 | | 38 - 25 | 67F-45371-00 | 30 - 13 | 67F-45997-00 | 30 - 20 |
| 61N-42628-00 | 1 - 12 | 67F-43802-00 | 25 - 49 | 67F-43862-00 | 25 - 30 | | 29 - 33 | 688-45375-00 | 30 - 17 | 67F-46241-00 | 5 - 17 |
| 67F-42628-00 | 1 - 19 | 67F-43804-00 | 26 - 3 | 67F-43863-00 | 25 - 27 | | 38 - 7 | 663-45376-00-94 | 30 - 18 | 63D-48119-00 | 18 - 24 |

NUMERICAL INDEX
INDEX NUMERIQUE

| PART NO. NO. PIECES | REF. NO. | PART NO. NO. PIECES | REF. NO. | PART NO. NO. PIECES | REF. NO. | PART NO. NO. PIECES | REF. NO. | PART NO. NO. PIECES | REF. NO. | PART NO. NO. PIECES | REF. NO. |
|------------------------|-------------|------------------------|-------------|------------------------|-------------|------------------------|-------------|------------------------|-------------|------------------------|-------------|
| 703-48152-00 | 34 - 57 | 67G-48321-10 | 18 - 36 | 67F-81942-00 | 14 - 22 | 63D-82575-00 | 19 - 20 | 66T-87149-00 | 14 - 13 | 90151-05M00 | 30 - 11 |
| 703-48153-00 | 34 - 3 | 663-48344-00 | 21 - 3 | 67F-81948-00 | 14 - 19 | 688-82575-01 | 34 - 47 | 9E450-04433 | 35 - 2 | 90157-05M16 | 31 - 6 |
| 63D-48154-00 | 18 - 12 | | | 6E5-8195B-01 | 14 - 7 | 703-82577-00 | 34 - 45 | 9E450-04533 | 35 - 3 | 90159-06M18 | 18 - 47 |
| 703-48189-00 | 34 - 17 | 703-48345-01 | 34 - 19 | 6E5-8195C-01 | 14 - 10 | 688-8258A-20 | 34 - 49 | 90101-09M01 | 32 - 7 | 90159-06M28 | 17 - 40 |
| 703-48198-00 | 34 - 14 | 701-48350-00 | 33 - 2 | 6G1-81952-00 | 14 - 6 | 63D-82586-00 | 19 - 30 | 90101-12M03 | 22 - 43 | 90159-06M29 | 4 - 30 |
| 703-48205-17 | 33 - 1 | 703-48358-00 | 34 - 20 | 67F-81953-00 | 14 - 16 | 6E5-82587-00 | 15 - 27 | 90101-12M09 | 18 - 57 | | 14 - 35 |
| | 34 - 1 | 67F-48511-00-4D | 23 - 36 | 67F-81960-10 | 13 - 23 | 6E5-82588-00 | 17 - 26 | 90105-10M67 | 30 - 14 | 90170-06M30 | 14 - 4 |
| 703-48211-01 | 34 - 61 | 67G-48531-00 | 18 - 37 | 67F-82105-00 | 14 - 2 | 67F-82588-00 | 14 - 30 | 90105-10M89 | 4 - 19 | | 14 - 8 |
| 703-48212-00 | 34 - 58 | 63D-48538-00 | 18 - 43 | 67F-82116-00 | 14 - 15 | 67F-82590-02 | 14 - 24 | 90109-06M80 | 17 - 41 | | 14 - 11 |
| 703-48213-00 | 34 - 59 | 66R-48538-00 | 18 - 41 | 6Y5-82117-00 | 35 - 17 | 703-82591-00 | 34 - 53 | 90109-06M81 | 17 - 27 | 90170-09M03 | 32 - 4 |
| 703-48215-00 | 34 - 43 | 67F-48538-00 | 21 - 1 | 6G5-82119-00 | 14 - 14 | 703-82592-00 | 34 - 54 | 90109-06M82 | 17 - 8 | 90170-16M01 | 29 - 12 |
| 703-48219-00 | 34 - 30 | 67F-61350-00 | 32 - 1 | 682-82119-01 | 14 - 1 | 703-82594-00 | 34 - 25 | | 17 - 31 | 90170-24M22 | 12 - 16 |
| 703-48221-00 | 34 - 56 | 67F-8132G-01 | 15 - 1 | 703-82119-00 | 13 - 30 | 688-83383-11 | 19 - 32 | 90109-06M86 | 15 - 29 | 90170-40003 | 5 - 24 |
| 703-48222-00 | 34 - 27 | 445-81328-20 | 12 - 7 | 67F-82127-00 | 22 - 11 | 703-83383-02 | 34 - 51 | | 17 - 15 | 90171-16011 | 30 - 22 |
| 703-48223-00 | 34 - 28 | 66T-81328-00 | 12 - 8 | 6E5-82148-00 | 22 - 5 | 6H5-83386-00 | 19 - 33 | | 17 - 21 | 90179-06M24 | 1 - 11 |
| 703-48225-00 | 34 - 29 | 67F-81332-00 | 12 - 17 | 67F-82148-00 | 22 - 25 | 6Y5-8350T-01 | 35 - 1 | | 17 - 29 | 90183-02M03 | 29 - 48 |
| 703-48226-00 | 34 - 26 | 67F-81337-01 | 12 - 20 | 1E6-82151-00 | 35 - 16 | 6Y5-83500-S5 | 35 - 6 | | 21 - 2 | 90185-05002 | 30 - 12 |
| 703-48227-00 | 34 - 24 | 63D-81345-20 | 12 - 5 | 67F-82151-00 | 14 - 25 | 6Y5-83533-T2 | 35 - 10 | 90109-06M96 | 17 - 18 | 90185-08057 | 20 - 14 |
| 703-48232-00 | 34 - 62 | 67F-81673-00 | 12 - 9 | 67F-82151-10 | 14 - 26 | 6H5-83553-11 | 19 - 29 | 90109-12M37 | 23 - 18 | 90185-09M01 | 32 - 3 |
| 703-48234-00 | 34 - 18 | 67F-81800-02 | 16 - 1 | 67F-82181-00 | 26 - 5 | 6Y5-83553-M0 | 35 - 15 | 90109-12M97 | 23 - 26 | 90185-10M14 | 20 - 9 |
| 703-48235-00 | 34 - 4 | 67F-81801-00 | 16 - 5 | 68V-82101-00 | 13 - 2 | 6K3-83557-00 | 19 - 2 | 90110-12M00 | 24 - 4 | 90185-10051 | 23 - 38 |
| 63D-48236-00 | 18 - 23 | 67F-81807-00 | 16 - 10 | 67F-82341-00 | 13 - 15 | 6Y5-83557-10 | 35 - 19 | 90116-10175 | 23 - 37 | 90185-12M12 | 18 - 63 |
| 703-48236-00 | 34 - 16 | 67F-81808-00 | 16 - 8 | 67F-82342-00 | 13 - 16 | 6Y5-83557-31 | 35 - 11 | 90119-06MA2 | 2 - 23 | 90185-22M11 | 22 - 15 |
| 63D-48237-00 | 18 - 27 | 67F-81809-00 | 16 - 19 | 67F-82343-00 | 13 - 19 | 6E5-83558-00 | 30 - 16 | 90119-06MA4 | 2 - 15 | 90201-03313 | 29 - 47 |
| 63D-48238-00 | 18 - 29 | 67F-81810-00 | 16 - 3 | 67F-82344-00 | 13 - 20 | 6E5-83558-10 | 29 - 8 | 90119-06M59 | 13 - 4 | 90201-05M03 | 15 - 21 |
| 703-48238-00 | 34 - 22 | 67F-81813-00 | 16 - 6 | 67F-82361-00 | 13 - 17 | 6Y5-83570-S5 | 35 - 7 | 90119-06M81 | 22 - 38 | 90201-06M31 | 21 - 46 |
| 703-48243-00 | 34 - 15 | 67F-81820-00 | 16 - 7 | | 13 - 21 | 67F-83614-00 | 15 - 28 | 90119-06M82 | 6 - 20 | 90201-06068 | 17 - 12 |
| 703-48244-00 | 34 - 21 | 67F-81821-00 | 16 - 13 | 67F-82362-00 | 13 - 18 | 6A1-83625-41 | 12 - 26 | 90119-06M83 | 10 - 29 | | 21 - 29 |
| 703-48245-00 | 34 - 11 | 6K7-81826-10 | 16 - 24 | | 13 - 22 | 6A1-83625-51 | 12 - 27 | 90119-06M92 | 12 - 23 | 90201-08M01 | 20 - 3 |
| 703-48246-00 | 34 - 23 | 67F-81828-00 | 16 - 25 | 67F-82377-00 | 17 - 44 | 67F-83626-00 | 14 - 36 | 90119-07234 | 4 - 7 | 90201-08M12 | 10 - 33 |
| 701-48248-00 | 34 - 13 | 67F-8183R-00 | 16 - 16 | 68V-82504-00 | 15 - 25 | 67F-83635-00 | 15 - 18 | 90119-07235 | 4 - 5 | 90201-09M02 | 21 - 16 |
| 703-48252-00 | 34 - 12 | 67F-8183T-00 | 16 - 18 | 67G-82510-30 | 19 - 9 | 64E-83672-02 | 23 - 1 | | 10 - 35 | 90201-10M02 | 21 - 45 |
| 67G-48261-00 | 18 - 17 | 67F-81830-00 | 16 - 17 | 703-82510-43 | 34 - 44 | 6Y5-83728-00 | 35 - 12 | 90119-08M13 | 29 - 20 | 90201-10M20 | 32 - 2 |
| 703-48261-01 | 34 - 2 | 67F-81832-00 | 16 - 11 | 63D-8252E-01-4D | 19 - 10 | 63D-83728-00 | 19 - 26 | | 38 - 31 | 90201-10M63 | 32 - 6 |
| 703-48264-00 | 34 - 6 | 67F-81836-00 | 16 - 12 | 63D-8252F-01-4D | 19 - 11 | 67F-85510-01 | 12 - 4 | 90119-08M22 | 17 - 2 | 90201-10M76 | 20 - 10 |
| 703-48265-00 | 34 - 9 | 67F-81839-00 | 16 - 21 | 703-82531-00 | 34 - 46 | 663-82518-00 | 21 - 27 | 90119-08M58 | 27 - 1 | 90201-12M01 | 24 - 2 |
| 703-48268-00 | 34 - 5 | 67F-81840-00 | 16 - 4 | 688-82540-11 | 19 - 4 | 67F-85540-01 | 13 - 1 | 90119-08M59 | 6 - 22 | 90201-12M05 | 22 - 45 |
| 703-48271-00 | 34 - 60 | 67F-81841-00 | 16 - 14 | 703-82540-00 | 34 - 50 | 689-85547-00 | 10 - 1 | 90119-08M66 | 2 - 5 | 90201-12M16 | 23 - 20 |
| 703-48281-00 | 34 - 31 | 67F-81842-00 | 16 - 20 | 68F-82553-80 | 35 - 18 | 67F-85550-00 | 12 - 1 | 90119-08M74 | 20 - 2 | | 23 - 27 |
| 703-48282-00 | 34 - 32 | 67F-81846-00 | 16 - 26 | 67G-82554-01 | 19 - 5 | 67F-85560-01 | 12 - 2 | 90119-08M84 | 30 - 8 | | 24 - 5 |
| 703-48284-00 | 34 - 52 | 67F-81850-00 | 16 - 2 | 62Y-82555-00 | 19 - 6 | 67F-85570-00 | 13 - 5 | 90119-08M87 | 29 - 19 | 90201-13M01 | 22 - 44 |
| 701-48287-00 | 34 - 42 | 67F-81857-00 | 16 - 9 | 682-82556-00 | 19 - 21 | 67F-85580-00 | 12 - 3 | | 38 - 30 | | 23 - 21 |
| 703-48291-10 | 34 - 39 | 67F-81869-00 | 16 - 23 | | 34 - 48 | 68V-85753-00 | 15 - 6 | 90119-08M91 | 4 - 20 | 90201-13M03 | 23 - 25 |
| 703-48293-10 | 34 - 41 | 67F-81891-00 | 16 - 15 | 63D-82563-10 | 15 - 26 | | 36 - 8 | 90119-10M06 | 5 - 15 | 90201-13M19 | 23 - 30 |
| 701-48320-40 | 33 - 2 | 67F-81916-01 | 14 - 34 | 67G-82563-00 | 19 - 23 | 67F-85757-00 | 15 - 5 | 90119-10M08 | 27 - 23 | 90201-24M02 | 23 - 28 |
| 701-48320-50 | 33 - 2 | 67F-81919-00 | 14 - 37 | 703-82563-02 | 34 - 55 | 67F-85790-00 | 15 - 4 | 90119-10M72 | 5 - 22 | 90201-25M02 | 12 - 15 |
| 701-48320-60 | 33 - 2 | 6G1-8194A-10 | 14 - 3 | 6E3-8257H-00 | 17 - 46 | 61A-85885-00 | 15 - 12 | 90119-10M88 | 2 - 4 | 90201-25M05 | 29 - 58 |
| 701-48320-80 | 33 - 2 | 67F-81941-01 | 16 - 22 | 689-8257Y-00 | 19 - 22 | 6Y5-87122-S0 | 35 - 14 | 90149-05M13 | 18 - 7 | 90201-26M59 | 22 - 14 |

NUMERICAL INDEX
INDEX NUMERIQUE

| PART NO. NO. PIECES | REF. NO. | PART NO. NO. PIECES | REF. NO. | PART NO. NO. PIECES | REF. NO. | PART NO. NO. PIECES | REF. NO. | PART NO. NO. PIECES | REF. NO. | PART NO. NO. PIECES | REF. NO. |
|------------------------|-------------|------------------------|-------------|------------------------|-------------|------------------------|-------------|------------------------|-------------|------------------------|-------------|
| 90201-30M00 | 23 - 9 | 90401-20145 | 2 - 40 | 90465-11M10 | 29 - 9 | 92903-10600 | 18 - 8 | 92995-06600 | 18 - 54 | 93210-09165 | 25 - 45 |
| 90202-07M07 | 21 - 9 | 90430-06014 | 6 - 8 | | 35 - 13 | 92907-04600 | 4 - 24 | | 19 - 8 | 93210-10M74 | 25 - 53 |
| 90202-25M04 | 23 - 29 | 90430-08020 | 29 - 5 | | 35 - 20 | 92907-06600 | 28 - 11 | | 19 - 15 | 93210-11368 | 25 - 77 |
| 90204-06M00 | 14 - 5 | | 38 - 2 | 90465-11M59 | 8 - 13 | 92990-04100 | 35 - 4 | | 19 - 17 | 93210-16275 | 32 - 9 |
| | 14 - 9 | 90430-08143 | 4 - 16 | | 9 - 6 | | 35 - 8 | | 19 - 19 | 93210-18397 | 25 - 7 |
| | 14 - 12 | | 36 - 2 | 90465-12M03 | 6 - 16 | 92990-06100 | 1 - 3 | | 19 - 25 | | 25 - 10 |
| 90206-10M04 | 21 - 47 | 90430-14M09 | 28 - 4 | 90465-13M11 | 14 - 33 | 92990-06600 | 27 - 29 | | 21 - 7 | | 25 - 74 |
| 90206-12M00 | 21 - 30 | | 38 - 12 | 90465-13M24 | 19 - 27 | 92990-08600 | 34 - 34 | | 21 - 20 | 93210-19MJ1 | 28 - 25 |
| 90206-12M22 | 18 - 59 | 90430-14115 | 2 - 7 | 90465-13M30 | 19 - 28 | 92990-12200 | 18 - 58 | | 21 - 34 | | 38 - 15 |
| 90206-15M18 | 17 - 11 | | 36 - 6 | 90467-20M15 | 2 - 33 | 92990-12600 | 18 - 62 | | 21 - 37 | 93210-24M79 | 4 - 36 |
| 90250-07M02 | 29 - 50 | 90445-07ME0 | 30 - 15 | | 6 - 15 | | 21 - 31 | | 22 - 27 | | 36 - 3 |
| 90269-02M09 | 18 - 6 | 90445-07M31 | 29 - 7 | 90468-10005 | 18 - 39 | 92995-05100 | 15 - 23 | | 22 - 42 | 93210-29M94 | 23 - 11 |
| 90280-04M04 | 29 - 26 | 90445-10MG6 | 8 - 19 | | 18 - 44 | 92995-05600 | 15 - 14 | | 27 - 10 | 93210-29375 | 25 - 23 |
| | 38 - 32 | | 9 - 12 | 90468-18008 | 21 - 4 | | 15 - 24 | | 27 - 13 | 93210-30682 | 10 - 28 |
| 90280-04008 | 5 - 25 | 90445-10MG7 | 8 - 20 | | 21 - 10 | 92995-06100 | 12 - 12 | | 27 - 15 | | 36 - 15 |
| 90280-05015 | 12 - 14 | | 9 - 13 | | 21 - 13 | | 13 - 7 | | 28 - 6 | 93210-32738 | 10 - 8 |
| 90282-04010 | 29 - 65 | 90445-10M16 | 8 - 18 | | 21 - 25 | | 13 - 10 | | 28 - 23 | 93210-40M10 | 6 - 5 |
| 90340-08002 | 29 - 3 | | 9 - 11 | 90480-10M23 | 15 - 20 | | 13 - 25 | | 29 - 37 | | 37 - 18 |
| 90340-14M06 | 2 - 6 | 90445-10M40 | 2 - 16 | 90480-12072 | 2 - 11 | | 13 - 28 | 92995-08100 | 22 - 17 | 93210-41MJ2 | 6 - 21 |
| | 28 - 3 | 90445-13M11 | 10 - 15 | | 4 - 25 | | 14 - 28 | | 27 - 33 | | 36 - 14 |
| 90344-51019 | 4 - 4 | 90445-13M27 | 10 - 4 | 90480-13M24 | 17 - 42 | | 22 - 41 | 92995-08600 | 2 - 30 | 93210-46044 | 29 - 32 |
| 90386-06M12 | 21 - 12 | 90445-15M03 | 5 - 20 | 90480-15M31 | 12 - 22 | 92995-06600 | 1 - 7 | | 4 - 14 | | 38 - 6 |
| 90386-08032 | 18 - 10 | 90445-16M07 | 8 - 21 | 90480-19M06 | 29 - 22 | | 2 - 10 | | 6 - 10 | | 38 - 29 |
| 90386-10M16 | 22 - 19 | | 9 - 14 | 90480-20M05 | 2 - 20 | | 2 - 27 | | 18 - 31 | 93210-49046 | 29 - 38 |
| 90386-12M93 | 18 - 61 | 90446-24M79 | 19 - 1 | 90480-22M15 | 17 - 3 | | 2 - 37 | | 20 - 13 | | 38 - 9 |
| 90386-12069 | 21 - 32 | 90464-09M47 | 15 - 15 | 90501-10326 | 7 - 19 | | 4 - 11 | 92995-10100 | 23 - 35 | 93210-86M39 | 29 - 63 |
| 90386-15M73 | 17 - 10 | | 15 - 30 | 90501-12M48 | 29 - 46 | | 4 - 28 | | 30 - 6 | | 38 - 11 |
| 90386-18MA0 | 22 - 34 | 90464-10M57 | 8 - 22 | 90501-12082 | 21 - 22 | | 4 - 34 | 92995-10600 | 30 - 7 | 93306-207U0 | 29 - 57 |
| 90386-18M35 | 22 - 29 | | 9 - 15 | 90501-16M11 | 2 - 19 | | 6 - 18 | 93101-25M03 | 29 - 31 | 93315-325W4 | 29 - 13 |
| 90386-18M63 | 22 - 30 | 90465-06M86 | 13 - 12 | 90501-23215 | 18 - 9 | | 8 - 25 | | 29 - 62 | 93317-322V0 | 29 - 53 |
| 90386-25M31 | 22 - 13 | | 15 - 9 | 90506-14M24 | 22 - 24 | | 9 - 18 | | 38 - 5 | 93317-325U0 | 29 - 61 |
| 90386-26MA3 | 18 - 49 | 90465-08M23 | 17 - 28 | 90506-16M34 | 17 - 16 | | 10 - 14 | 93101-48002 | 3 - 3 | 93332-000UD | 29 - 54 |
| 90386-30M60 | 23 - 13 | 90465-08M63 | 22 - 9 | 90506-16M39 | 5 - 19 | | 12 - 13 | | 36 - 11 | 93332-000U3 | 29 - 15 |
| 90386-30M77 | 23 - 12 | | 23 - 3 | 91318-06020 | 25 - 47 | | 12 - 19 | 93102-38M59 | 5 - 16 | 93410-18M05 | 22 - 31 |
| 90386-30M78 | 23 - 10 | 90465-08M83 | 8 - 23 | 91318-06035 | 25 - 46 | | 13 - 8 | | 36 - 5 | | 22 - 36 |
| 90386-90M90 | 21 - 15 | | 9 - 16 | 91490-20010 | 18 - 14 | | 13 - 11 | 93102-48009 | 3 - 2 | 93410-28M06 | 23 - 15 |
| 90387-05M00 | 15 - 19 | 90465-10M77 | 22 - 2 | 91490-20015 | 21 - 17 | | 13 - 14 | | 36 - 10 | 93420-36M01 | 27 - 26 |
| 90387-06M43 | 17 - 43 | 90465-11M10 | 2 - 17 | 91490-40025 | 30 - 23 | | 13 - 26 | 93106-09014 | 29 - 35 | 93430-06024 | 34 - 10 |
| 90387-06M64 | 28 - 12 | | 2 - 32 | 91609-25014 | 10 - 32 | | 13 - 29 | | 38 - 8 | 93501-04M02 | 21 - 21 |
| 90387-06M71 | 12 - 21 | | 6 - 14 | 91690-30018 | 21 - 28 | | 14 - 18 | 93210-04228 | 7 - 34 | 93501-08001 | 25 - 12 |
| 90387-06M82 | 21 - 43 | | 10 - 3 | 91690-30020 | 22 - 21 | | 14 - 21 | | 37 - 12 | | 25 - 16 |
| 90387-08M37 | 17 - 4 | | 10 - 10 | 91690-30025 | 18 - 20 | | 14 - 29 | 93210-04230 | 7 - 27 | | 25 - 26 |
| 90387-10M08 | 4 - 18 | | 10 - 27 | 91690-50014 | 6 - 11 | | 14 - 32 | | 37 - 6 | | 25 - 86 |
| 90387-10M42 | 32 - 5 | | 15 - 11 | 91809-08006 | 4 - 6 | | 15 - 3 | 93210-06100 | 25 - 72 | 93503-16003 | 25 - 25 |
| 90387-12M02 | 18 - 60 | | 15 - 16 | | 10 - 36 | | 15 - 8 | 93210-064A5 | 25 - 65 | | 29 - 42 |
| 90387-18M01 | 22 - 33 | | 17 - 36 | 92903-08100 | 16 - 32 | | 18 - 33 | 93210-07003 | 25 - 62 | 93505-32038 | 25 - 66 |
| 90387-22M01 | 22 - 35 | | 23 - 6 | 92903-08600 | 16 - 28 | | 18 - 35 | | 29 - 40 | 93602-07244 | 25 - 21 |
| 90389-25M00 | 30 - 21 | | 23 - 7 | | 16 - 30 | | 18 - 52 | | 38 - 10 | 93604-10M03 | 29 - 18 |

NUMERICAL INDEX
INDEX NUMERIQUE

| PART NO. NO. PIECES | REF. NO. | PART NO. NO. PIECES | REF. NO. | PART NO. NO. PIECES | REF. NO. | PART NO. NO. PIECES | REF. NO. | PART NO. NO. PIECES | REF. NO. | PART NO. NO. PIECES | REF. NO. |
|------------------------|-------------|------------------------|-------------|------------------------|-------------|------------------------|-------------|------------------------|-------------|------------------------|-------------|
| 93604-12M07 | 28 - 24 | 97095-06012 | 8 - 24 | 97880-06012 | 22 - 6 | | | | | | |
| 93605-10108 | 5 - 13 | | 9 - 17 | 97880-06016 | 27 - 28 | | | | | | |
| 93606-12019 | 2 - 3 | | 13 - 13 | 97885-05010 | 15 - 13 | | | | | | |
| | 28 - 7 | | 14 - 31 | 97885-05025 | 15 - 22 | | | | | | |
| | 30 - 4 | | 21 - 33 | 97885-06010 | 12 - 18 | | | | | | |
| 93606-19M23 | 27 - 16 | 97095-06014 | 18 - 34 | 97885-06016 | 18 - 53 | | | | | | |
| 93608-16M16 | 27 - 5 | | 18 - 38 | | 19 - 24 | | | | | | |
| | 27 - 24 | | 18 - 42 | | 23 - 2 | | | | | | |
| 93700-06M03 | 22 - 8 | | 19 - 7 | 97885-06040 | 18 - 51 | | | | | | |
| 94702-00391 | 4 - 37 | 97095-06016 | 10 - 13 | 97980-04114 | 7 - 11 | | | | | | |
| 95333-08600 | 16 - 31 | | 14 - 17 | | 37 - 3 | | | | | | |
| 95380-04600 | 35 - 5 | | 14 - 20 | 98507-04008 | 4 - 23 | | | | | | |
| | 35 - 9 | | 15 - 2 | 98580-03015 | 34 - 38 | | | | | | |
| 95380-05600 | 21 - 40 | | 15 - 7 | 98580-04006 | 34 - 36 | | | | | | |
| | 34 - 7 | | 17 - 13 | 98580-04008 | 7 - 32 | | | | | | |
| 95380-06600 | 1 - 4 | | 22 - 40 | 98580-04010 | 34 - 35 | | | | | | |
| | 17 - 39 | | 29 - 36 | 98580-05010 | 34 - 37 | | | | | | |
| | 18 - 13 | 97095-06020 | 2 - 9 | 98785-05014 | 18 - 28 | | | | | | |
| | 34 - 40 | | 13 - 9 | 99001-08600 | 29 - 41 | | | | | | |
| 95380-08600 | 10 - 12 | | 13 - 27 | 99530-08012 | 12 - 10 | | | | | | |
| 95380-12600 | 22 - 46 | | 14 - 27 | | | | | | | | |
| 95380-12700 | 23 - 31 | | 19 - 16 | | | | | | | | |
| | 24 - 3 | 97095-06025 | 2 - 36 | | | | | | | | |
| 95780-12300 | 23 - 23 | | 4 - 33 | | | | | | | | |
| | 24 - 6 | | 13 - 24 | | | | | | | | |
| 97013-08016 | 16 - 29 | | 19 - 14 | | | | | | | | |
| 97013-08045 | 16 - 27 | | 21 - 36 | | | | | | | | |
| 97027-06025 | 28 - 10 | 97095-06030 | 4 - 27 | | | | | | | | |
| 97075-06020 | 2 - 26 | | 12 - 11 | | | | | | | | |
| | 4 - 10 | | 13 - 6 | | | | | | | | |
| 97075-06025 | 21 - 19 | | 18 - 32 | | | | | | | | |
| | 28 - 5 | | 19 - 18 | | | | | | | | |
| 97075-06030 | 27 - 12 | 97095-06035 | 21 - 44 | | | | | | | | |
| 97075-06050 | 27 - 14 | 97095-06040 | 21 - 6 | | | | | | | | |
| 97075-06070 | 27 - 9 | 97095-06045 | 28 - 22 | | | | | | | | |
| 97075-08025 | 2 - 29 | 97095-08014 | 4 - 15 | | | | | | | | |
| | 4 - 13 | 97095-08016 | 27 - 32 | | | | | | | | |
| 97075-08035 | 6 - 9 | 97095-08020 | 22 - 16 | | | | | | | | |
| 97075-10040 | 23 - 34 | 97095-08025 | 20 - 12 | | | | | | | | |
| | 30 - 5 | 97095-08040 | 18 - 30 | | | | | | | | |
| 97095-06010 | 6 - 7 | 97380-05025 | 34 - 8 | | | | | | | | |
| | 15 - 10 | 97380-08030 | 34 - 33 | | | | | | | | |
| | 22 - 3 | 97575-08445 | 23 - 17 | | | | | | | | |
| | 22 - 10 | 97575-08540 | 27 - 4 | | | | | | | | |
| | 22 - 23 | 97607-04110 | 12 - 6 | | | | | | | | |
| | 22 - 26 | 97780-40512 | 29 - 23 | | | | | | | | |
| 97095-06012 | 1 - 6 | 97780-60525 | 23 - 5 | | | | | | | | |
| | 6 - 17 | 97803-04010 | 7 - 9 | | | | | | | | |

F80A/F100A
PARTS CATALOGUE
E2001 by Yamaha Motor Co., Ltd.
1st Edition, Oct. 2001
All rights reserved.
Any reprinting or unauthorized use
without the written permission of
Yamaha Motor Co., Ltd.
is expressly prohibited.

F80A/F100A
CATALOGUE DE PIECES DETACHEES
E2001 Yamaha Motor Co., Ltd.
1ère Edition, Oct. 2001
Tous droits réservés.
Toute réimpression ou utilisation
sans la permission écrite de la
Yamaha Motor Co., Ltd.
est formellement interdite.