

**PARTS
CATALOGUE
CATALOGO
DE REPUESTOS**

E115A'02(61U1)

E115A TUNA'02(61U1)

FOREWORD

This Parts Catalogue is related to the parts for the model(s) in the below frame. When you are ordering replacement parts, please refer to this Parts Catalogue and quote both part numbers and part names correctly.

E115A'02(61U1), E115A TUNA'02(61U1)

1. Modifications or additions which have been made after issue of the Parts Catalogue will be announced in the Yamaha Parts News.
It is advisable that you make necessary corrections to the Parts Catalogue according to the Yamaha Parts News.

2. Abbreviations

The Following abbreviations are used in this Parts Catalogue.

- “UR” Use specified parts number.
- “UN” Use as many as needed.
- “AP” Alternate Parts
- “LM” Local Made
(Parts need to be ordered locally)
- “O/S” Over Size

3. Parts, which are to be supplied in an assembly, are listed with a dot(.) in front of the part name as shown below.

EXAMPLE
 CARBURETOR ASSY
 .JET, PILOT
 .NOZZLE, MAIN

4. Number of component for assembly

The numeral appearing to the right of each component part indicates the quantity of parts for each assembly unit.

EXAMPLE

| PART NO. | DESCRIPTION | □ | ▣ | ▢ | ▧ | ▨ | REMARKS |
|------------------|---------------------|---|---|---|---|---|---------|
| 6E0-85500-70 | C.D.I. MAGNETO ASSY | 1 | | | | | |
| 6E0-85550-70 | .ROTOR ASSY | 1 | | | | | |
| 6E0-15723-00-94. | .PULLY, STARTER | 1 | | | | | |

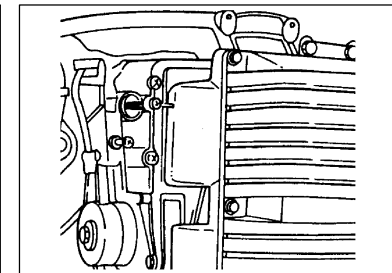
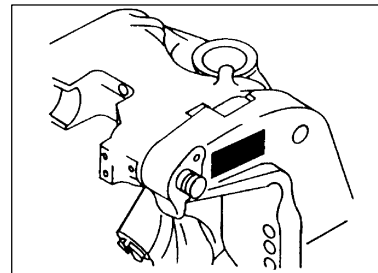
5. Quantity Column Information

| NAME for Q'TY COLUMN | APPLICABLE MODEL |
|----------------------|------------------|
| ET | E115AET |
| E | E115AE |
| WH | E115AWH |
| MH | E115AMH |

6. Applicable Starting Serial No. and Color Code

1) Engine Starting Serial No.

| | | | | | | | | | | | | | | | | | | | | | | | | | | | | | | | | | | | | | | | | | |
|--|---------|------------|------------|--|--|-----|------------|--|--------|-----|------------|--|--|-----|------------|--|---|---------|-----|------------|--|--|-----|------------|--|--|-----|------------|--|---------|-----|------------|--|--|-----|------------|--|--|-----|------------|--|
| <table style="width: 100%;"> <tr> <td style="width: 30%;">E115AET</td> <td style="width: 20%;">6E5</td> <td style="width: 20%;">L : 017071</td> <td style="width: 30%;"></td> </tr> <tr> <td></td> <td>6E5</td> <td>X : 212609</td> <td></td> </tr> <tr> <td>E115AE</td> <td>6E5</td> <td>L : 002394</td> <td></td> </tr> <tr> <td></td> <td>6E5</td> <td>X : 760102</td> <td></td> </tr> </table> | E115AET | 6E5 | L : 017071 | | | 6E5 | X : 212609 | | E115AE | 6E5 | L : 002394 | | | 6E5 | X : 760102 | | <table style="width: 100%;"> <tr> <td style="width: 30%;">E115AWH</td> <td style="width: 20%;">6E5</td> <td style="width: 20%;">L : 040220</td> <td style="width: 30%;"></td> </tr> <tr> <td></td> <td>6E5</td> <td>Y : 142957</td> <td></td> </tr> <tr> <td></td> <td>6E5</td> <td>X : 240281</td> <td></td> </tr> <tr> <td>E115AMH</td> <td>6E5</td> <td>L : 020358</td> <td></td> </tr> <tr> <td></td> <td>6E5</td> <td>Y : 120292</td> <td></td> </tr> <tr> <td></td> <td>6E5</td> <td>X : 220346</td> <td></td> </tr> </table> | E115AWH | 6E5 | L : 040220 | | | 6E5 | Y : 142957 | | | 6E5 | X : 240281 | | E115AMH | 6E5 | L : 020358 | | | 6E5 | Y : 120292 | | | 6E5 | X : 220346 | |
| E115AET | 6E5 | L : 017071 | | | | | | | | | | | | | | | | | | | | | | | | | | | | | | | | | | | | | | | |
| | 6E5 | X : 212609 | | | | | | | | | | | | | | | | | | | | | | | | | | | | | | | | | | | | | | | |
| E115AE | 6E5 | L : 002394 | | | | | | | | | | | | | | | | | | | | | | | | | | | | | | | | | | | | | | | |
| | 6E5 | X : 760102 | | | | | | | | | | | | | | | | | | | | | | | | | | | | | | | | | | | | | | | |
| E115AWH | 6E5 | L : 040220 | | | | | | | | | | | | | | | | | | | | | | | | | | | | | | | | | | | | | | | |
| | 6E5 | Y : 142957 | | | | | | | | | | | | | | | | | | | | | | | | | | | | | | | | | | | | | | | |
| | 6E5 | X : 240281 | | | | | | | | | | | | | | | | | | | | | | | | | | | | | | | | | | | | | | | |
| E115AMH | 6E5 | L : 020358 | | | | | | | | | | | | | | | | | | | | | | | | | | | | | | | | | | | | | | | |
| | 6E5 | Y : 120292 | | | | | | | | | | | | | | | | | | | | | | | | | | | | | | | | | | | | | | | |
| | 6E5 | X : 220346 | | | | | | | | | | | | | | | | | | | | | | | | | | | | | | | | | | | | | | | |



2) Color Code

| Color Code | Color Name | Abbreviation |
|------------|-----------------------------|--------------|
| 004D | DARK BLUISH GRAY METALLIC 2 | DBNM2 |

7. Note that the illustrations for reference in finding parts numbers, not to be used for assembling. When assembling, please use the applicable service manual.

8. The asterisk (*) before a reference number indicates modification items after the first edition.

CONTENTS

SHEET 1/2

| | |
|-----------------------------|----|
| TOP COWLING 1 | A4 |
| TOP COWLING 2 | A5 |
| CYLINDER. CRANKCASE 1 | A6 |
| CRANKSHAFT. PISTON | B1 |
| CYLINDER. CRANKCASE 2 | B3 |
| INTAKE 1 | B4 |
| INTAKE 2 | B6 |
| CARBURETOR 1 | C1 |
| CARBURETOR 2 | C3 |
| FUEL 1 | C5 |
| FUEL 2 | C7 |
| FUEL 3 | D2 |
| STARTER | D3 |
| GENERATOR | D6 |
| ELECTRICAL 1 | D7 |
| ELECTRICAL 2 | E1 |
| ELECTRICAL 3 | E3 |
| STARTING MOTOR | E4 |
| BOTTOM COWLING | E5 |
| STEERING | E7 |
| CONTROL | F3 |
| BRACKET 1 | F6 |

INDEX

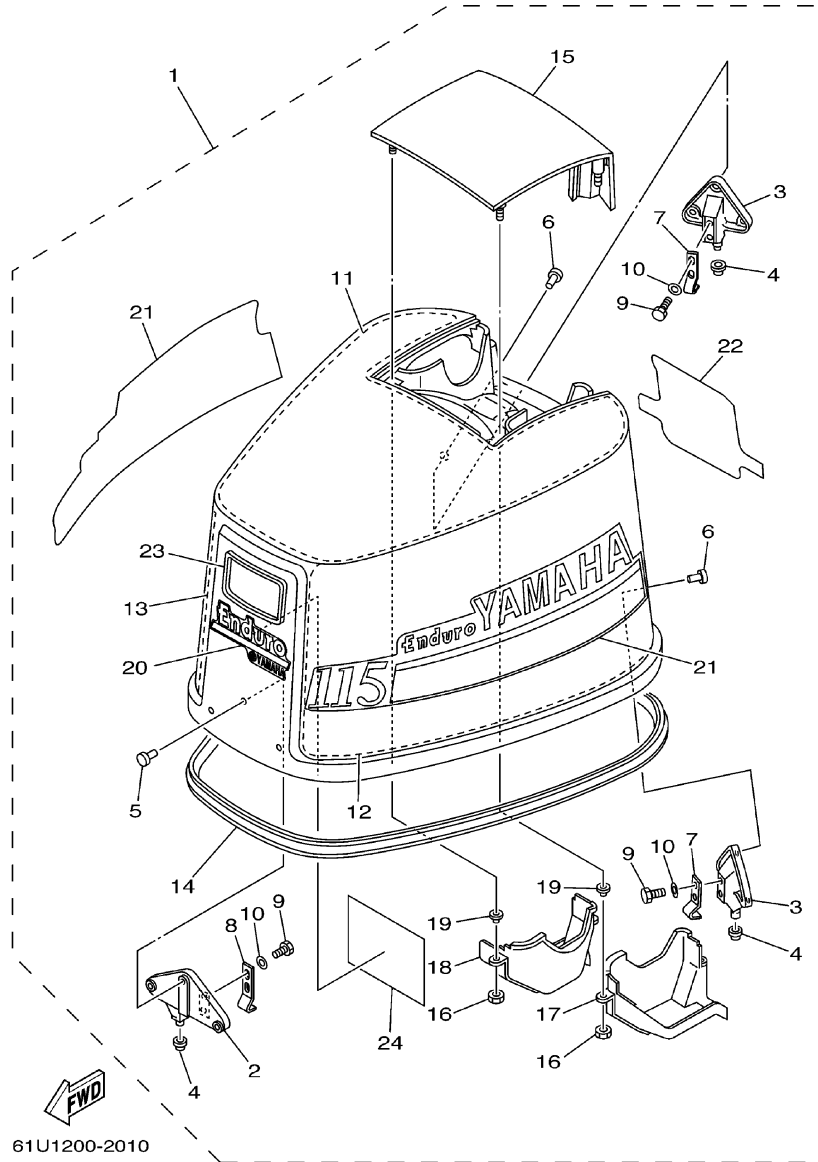
| | |
|-----------------------|----|
| NUMERICAL INDEX | G1 |
|-----------------------|----|

SHEET 2/2

| | |
|--------------------------------|-----|
| BRACKET 1 | A4* |
| BRACKET 2 | A5* |
| BRACKET 3 | A7* |
| BRACKET 4 | B2* |
| BRACKET 5 | B4* |
| POWER TRIM & TILT ASSY 1 | B7* |
| POWER TRIM & TILT ASSY 2 | C2* |
| UPPER CASING | C4* |
| LOWER CASING. DRIVE 1 | C6* |
| LOWER CASING. DRIVE 2 | D3* |
| FUEL TANK | D5* |
| STEERING GUIDE | D6* |
| REMOTE CONTROL BOX | D7* |
| REMOTE CONTROL ASSY | E1* |
| METER | E4* |
| REPAIR KIT 1 | E5* |
| REPAIR KIT 2 | E7* |

INDEX

| | |
|-----------------------|-----|
| NUMERICAL INDEX | G1* |
|-----------------------|-----|



61U1200-2010

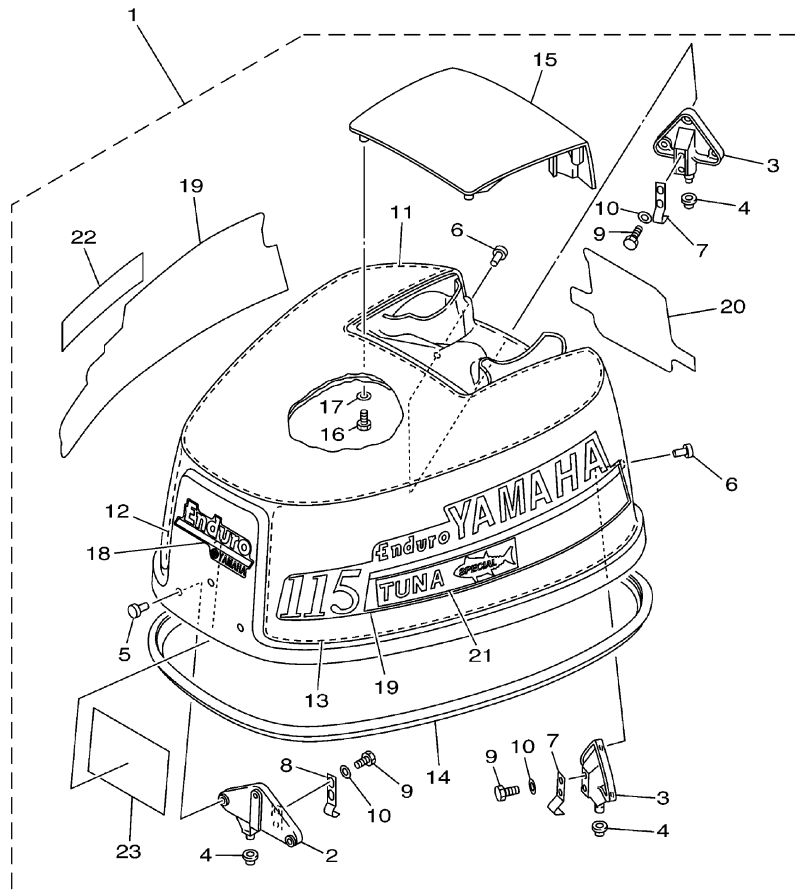
FIG. 1 TOP COWLING 1

SOPORTE SUPERIOR 1

| REF. NO. | PART NO. CODIGO NO. | DESCRIPTION DESCRIPTION | ET | E | WH | MH | REMARKS OBSERVACION |
|----------|---------------------|---|----|---|----|----|---------------------|
| 1 | 61U-42610-L0-4D | TOP COWLING ASSY SOPORTE SUPERIOR COMPL. | | | 1 | 1 | |
| 2 | 6E5-42647-00-94 | .HOLDER, CLAMP BAND .MORDAZA DE ABRAZADERA | | | 1 | 1 | |
| 3 | 6E5-42649-01-94 | .HOLDER, CLAMP BAND .MORDAZA DE ABRAZADERA | | | 2 | 2 | |
| 4 | 663-42662-00 | .DAMPER .AMORTIGUADOR | | | 3 | 3 | |
| 5 | 90266-06009 | .RIVET .REMACHE | | | 3 | 3 | |
| 6 | 90266-06M02 | .RIVET .REMACHE | | | 6 | 6 | |
| 7 | 6E5-42652-00 | .HOOK .GANCHO | | | 2 | 2 | |
| 8 | 688-42652-00 | .HOOK .GANCHO | | | 1 | 1 | |
| 9 | 97095-06016 | .BOLT .PERNO | | | 6 | 6 | |
| 10 | 92995-06600 | .WASHER .ARANDELA | | | 6 | 6 | |
| 11 | 6E5-42617-00 | .DAMPER, FORM .HULE DE FORMA | | | 1 | 1 | |
| 12 | 61U-42619-10 | .DAMPER, FORM .HULE DE FORMA | | | 1 | 1 | |
| 13 | 61U-42627-10 | .DAMPER, FORM .AMORTIGUADOR FORMA 3 | | | 1 | 1 | |
| 14 | 6E5-42615-00 | .SEAL .SELLO | | | 1 | 1 | |
| 15 | 6G5-42613-00-4D | .MOLDING, AIR DUCT .MOLDURA CONDUCTO AIRE | | | 1 | 1 | |
| 16 | 90179-06M24 | .NUT .TUERCA | | | 4 | 4 | |
| 17 | 61U-42626-00 | .LOUVER, 1 .AMORTIGUADOR 1 | | | 1 | 1 | |
| 18 | 61U-42636-00 | .LOUVER 2 .REJILLA 2 | | | 1 | 1 | |
| 19 | 90387-06M35 | .COLLAR .CASQUILLO CON VALONA | | | 4 | 4 | |
| 20 | 61U-42677-J0 | .GRAPHIC, FRONT .CALCAMONIA FRONTAL | | | 1 | 1 | |
| 21 | 61U-W0070-H0 | .GRAPHIC SET .JUEGO DE EMBLEMA | | | 1 | 1 | |
| 22 | 61U-42678-H0 | .GRAPHIC, REAR .CALCAMONIA TRASERA | | | 1 | 1 | |
| 23 | 697-15761-01 | .SEAL, RUBBER 1 .SELLO DE GOMA 1 | | | 1 | 1 | |
| 24 | 677-13437-08 | .MARK, CAUTION .MARKER | | | 1 | 1 | |

FIG. 2 TOP COWLING 2

SOPORTE SUPERIOR 2

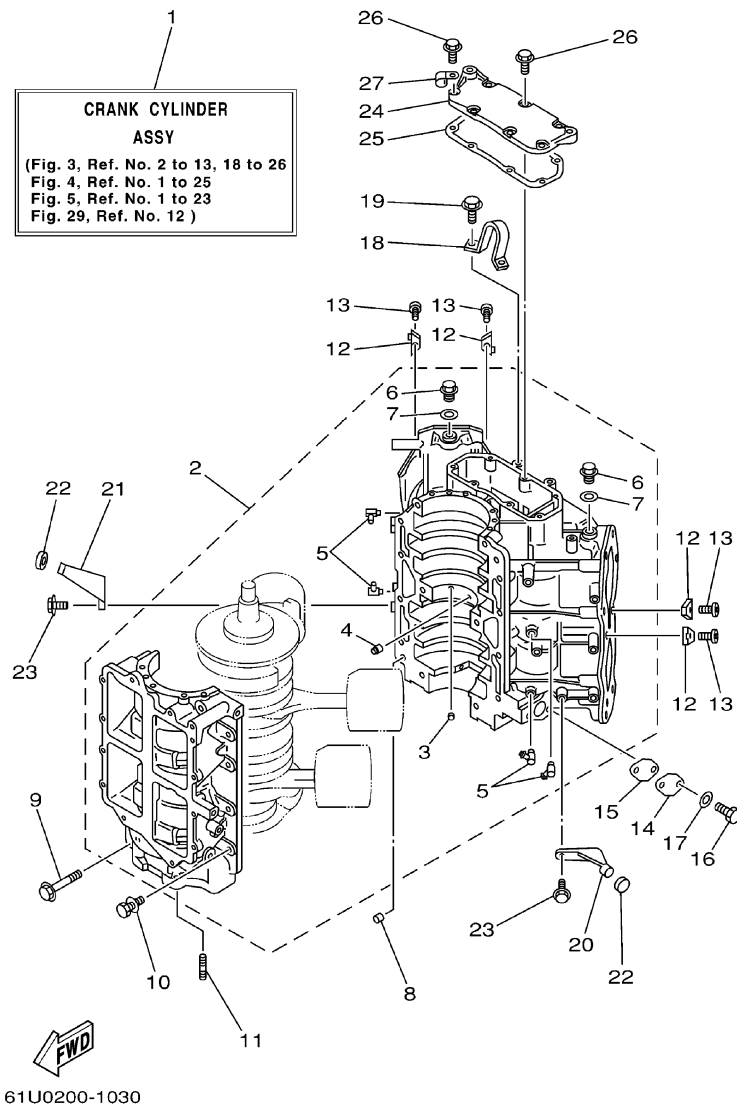


| REF. NO. | PART NO. CODIGO NO. | DESCRIPTION DESCRIPTION | ET | E | WH | MH | REMARKS OBSERVACION |
|----------|---------------------|---|----|---|----|----|---------------------|
| 1 | 61U-42610-K0-4D | TOP COWLING ASSY SOPORTE SUPERIOR COMPL. | 1 | 1 | | | |
| | 61U-42610-U0-4D | TOP COWLING ASSY SOPORTE SUPERIOR COMPL. | 1 | 1 | | | FOR TUNA |
| 2 | 6E5-42647-00-94 | .HOLDER, CLAMP BAND .MORDAZA DE ABRAZADERA | 1 | 1 | | | |
| 3 | 6E5-42649-01-94 | .HOLDER, CLAMP BAND .MORDAZA DE ABRAZADERA | 2 | 2 | | | |
| 4 | 663-42662-00 | .DAMPER .AMORTIGUADOR | 3 | 3 | | | |
| 5 | 90266-06009 | .RIVET .REMACHE | 3 | 3 | | | |
| 6 | 90266-06M02 | .RIVET .REMACHE | 6 | 6 | | | |
| 7 | 6E5-42652-00 | .HOOK .GANCHO | 2 | 2 | | | |
| 8 | 688-42652-00 | .HOOK .GANCHO | 1 | 1 | | | |
| 9 | 97095-06016 | .BOLT .PERNO | 6 | 6 | | | |
| 10 | 92995-06600 | .WASHER .ARANDELA | 6 | 6 | | | |
| 11 | 6E5-42617-00 | .DAMPER, FORM .HULE DE FORMA | 1 | 1 | | | |
| 12 | 6E5-42619-00 | .DAMPER, FORM .HULE DE FORMA | 1 | 1 | | | |
| 13 | 6E5-42627-00 | .DAMPER, FORM .AMORTIGUADOR FORMA 3 | 1 | 1 | | | |
| 14 | 6E5-42615-00 | .SEAL .SELLO | 1 | 1 | | | |
| 15 | 6E5-42613-01-4D | .MOLDING, AIR DUCT .MOLDURA CONDUCTO AIRE | 1 | 1 | | | |
| 16 | 97095-06016 | .BOLT .PERNO | 4 | 4 | | | |
| 17 | 92995-06600 | .WASHER .ARANDELA | 4 | 4 | | | |
| 18 | 61U-42677-J0 | .GRAPHIC, FRONT .CALCAMONIA FRONTAL | 1 | 1 | | | |
| 19 | 61U-W0070-H0 | .GRAPHIC SET .JUEGO DE EMBLEMA | 1 | 1 | | | |
| 20 | 61U-42678-H0 | .GRAPHIC, REAR .CALCAMONIA TRASERA | 1 | 1 | | | |
| 21 | 688-42681-61 | .MARK, COWLING .MARCA DE CUBIERTA | 1 | 1 | | | FOR TUNA |
| 22 | 688-42682-61 | .MARK, COWLING .MARCA DE CUBIERTA | 1 | 1 | | | FOR TUNA |
| 23 | 677-13437-08 | .MARK, CAUTION .MARKER | 1 | 1 | | | |



61U1200-2020

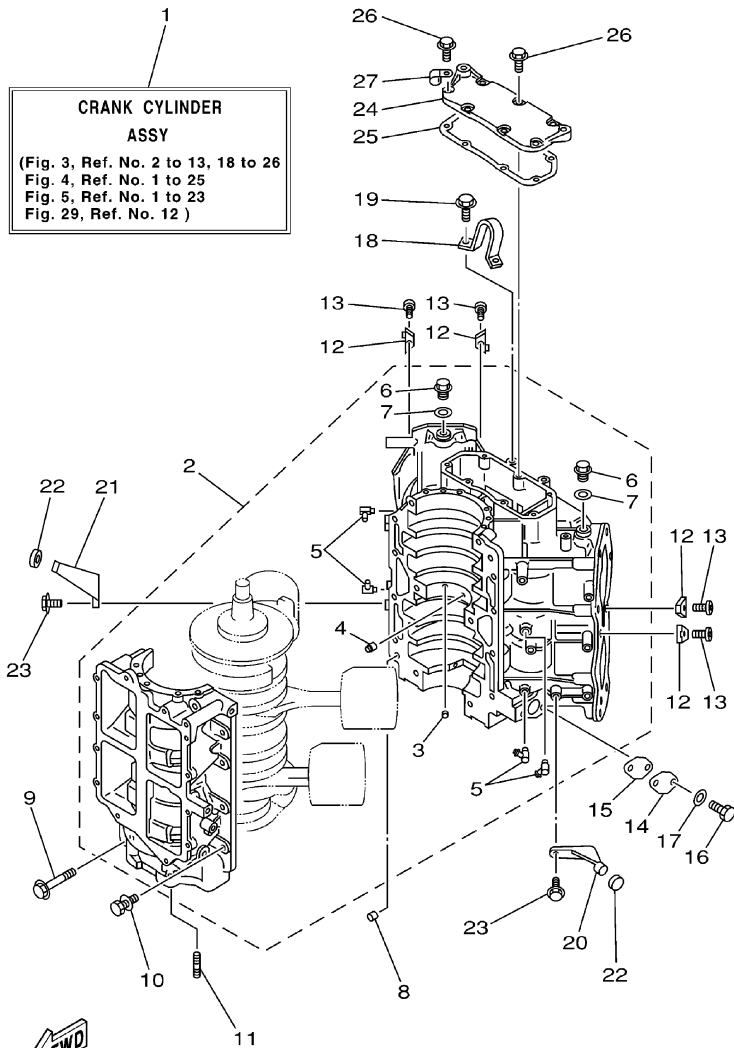
FIG. 3 CYLINDER. CRANKCASE 1 CILINDRO. CARTER 1



61U0200-1030

| REF. NO. | PART NO. CODIGO NO. | DESCRIPTION DESCRIPTION | ET | E | WH | MH | REMARKS OBSERVACION |
|----------|------------------------------|--|----|---|----|----|---------------------|
| 1 | 61U-W0090-03-1S | CRANK CYLINDER ASSY BLOQUE MOTOR COMPLETO | 1 | 1 | 1 | 1 | |
| 2 | 61U-15100-00-1S | CRANKCASE ASSY CARTER COMPLETO | 1 | 1 | 1 | 1 | |
| 3 | 624-11379-00 | .VALVE, CHECK .VALVULA DE CONTROL | 1 | 1 | 1 | 1 | |
| 4 | 663-11518-01 | .LOCK, BEARING .SEGURO BALERO | 1 | 1 | 1 | 1 | |
| 5 | 6E5-11372-00 | .NIPPLE, HOSE .NIPLE DE MANGUERA | 4 | 4 | 4 | 4 | |
| 6 | 90340-14M00 | .PLUG, STRAIGHT SCREW .TORNILLO, DE DRENAJE | 2 | 2 | 2 | 2 | |
| 7 | 90430-14115 | .GASKET .JUNTA | 2 | 2 | 2 | 2 | |
| 8 | 93608-12063 | PIN, DOWEL PASADOR DE CLAVIJA | 2 | 2 | 2 | 2 | |
| 9 | 90105-10M20 | BOLT, WASHER BASED TORNILLO CON ARANDELA | 6 | 6 | 6 | 6 | |
| 10 | 90119-08M94 | BOLT, WITH WASHER TORNILLO CON ARANDELA | 8 | 8 | 8 | 8 | |
| 11 | 90116-08M45 | BOLT, STUD ESPARRAGO | 2 | 2 | 2 | 2 | |
| 12 | 6E5-11325-00 | ANODE ANODO | 4 | 4 | 4 | 4 | |
| 13 | 98780-04015 | SCREW, FLAT HEAD TORNILLO DE CABEZA PLANA | 4 | 4 | 4 | 4 | |
| 14 | 6R3-1131M-01 | COVER CUBIERTA | 1 | 1 | 1 | 1 | |
| 15 | 6R3-11397-01 | GASKET EMPAQUE | 1 | 1 | 1 | 1 | |
| 16 | 97013-06016 | BOLT PERNO | 2 | 2 | 2 | 2 | |
| 17 | 92903-06600 | WASHER, PLATE ARANDELA | 2 | 2 | 2 | 2 | |
| 18 | 6E5-11119-01 61U-11119-01 | HANGER, ENGINE SOPORTE DEL MOTOR HANGER, ENGINE SOPORTE DEL MOTOR | 1 | 1 | | 1 | |
| 19 | 90119-08MA3 | BOLT, WITH WASHER TORNILLO CON ARANDELA | 2 | 2 | 2 | 2 | |
| 20 | 6E5-42761-00-1S | STOPPER RETEN 1 | 1 | 1 | 1 | 1 | |
| 21 | 6E5-42762-00-1S | STOPPER RETEN 2 | 1 | 1 | 1 | 1 | |
| 22 | 68F-44533-00 | DAMPER, UPPER MOUNT RUBBER AMORTIGUADOR SUPERIOR | 2 | 2 | 2 | 2 | |
| 23 | 90119-06MA2 | BOLT, WITH WASHER TORNILLO CON ARANDELA | 4 | 4 | 4 | 4 | |
| 24 | 6E5-11371-00-1S | COVER CUBIERTA 1 | 1 | 1 | 1 | 1 | |
| 25 | 6E5-11381-A2 | GASKET 1 EMPAQUE 1 | 1 | 1 | 1 | 1 | |
| 26 | 90119-06MA2 | BOLT, WITH WASHER TORNILLO CON ARANDELA | 7 | 7 | 7 | 7 | |

FIG. 3 CYLINDER. CRANKCASE 1 CILINDRO. CARTER 1

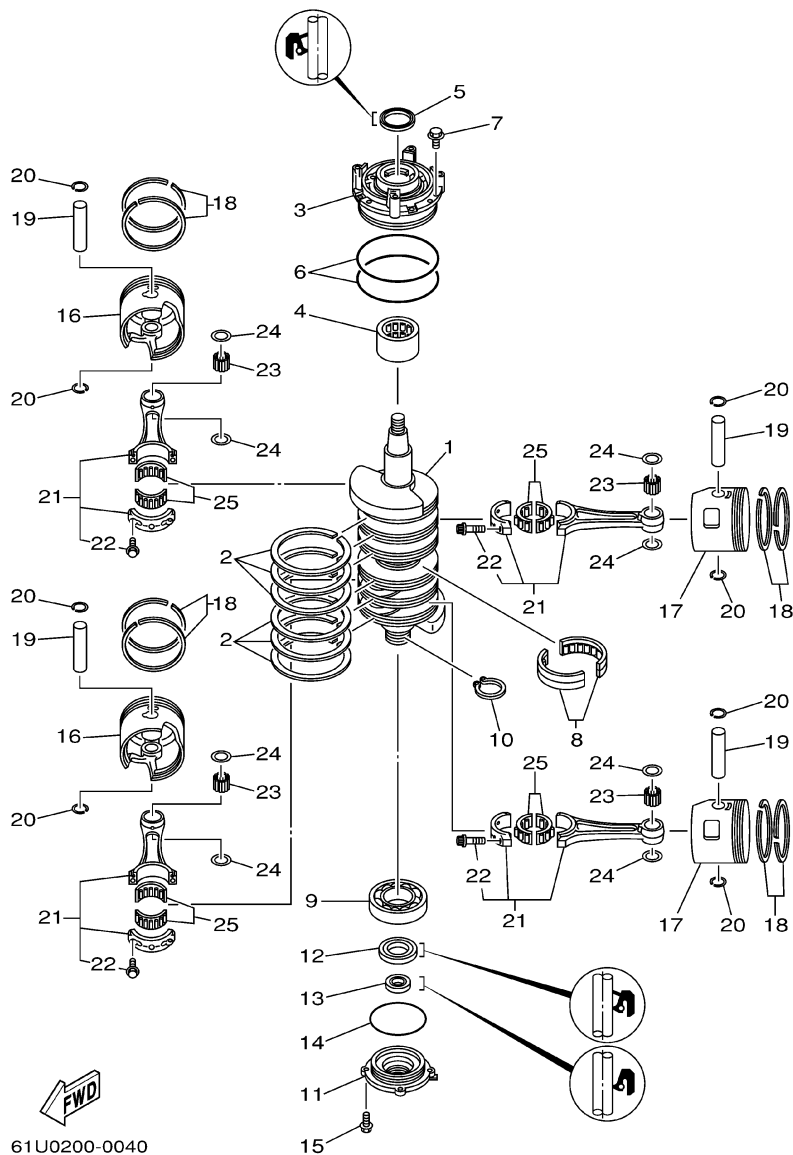


61U0200-1030

| REF. NO. | PART NO. CODIGO NO. | DESCRIPTION DESCRIPTION | ET | E | WH | MH | REMARKS OBSERVACION |
|----------|---------------------|-------------------------|----|---|----|----|---------------------|
| 27 | 90465-06M86 | CLAMP BRIDA | 1 | 1 | 1 | 1 | |
| ----- | | | | | | | |
| ----- | | | | | | | |
| ----- | | | | | | | |
| ----- | | | | | | | |
| ----- | | | | | | | |
| ----- | | | | | | | |
| ----- | | | | | | | |
| ----- | | | | | | | |
| ----- | | | | | | | |
| ----- | | | | | | | |
| ----- | | | | | | | |

FIG. 4 CRANKSHAFT. PISTON

CIGUENAL. PISTON



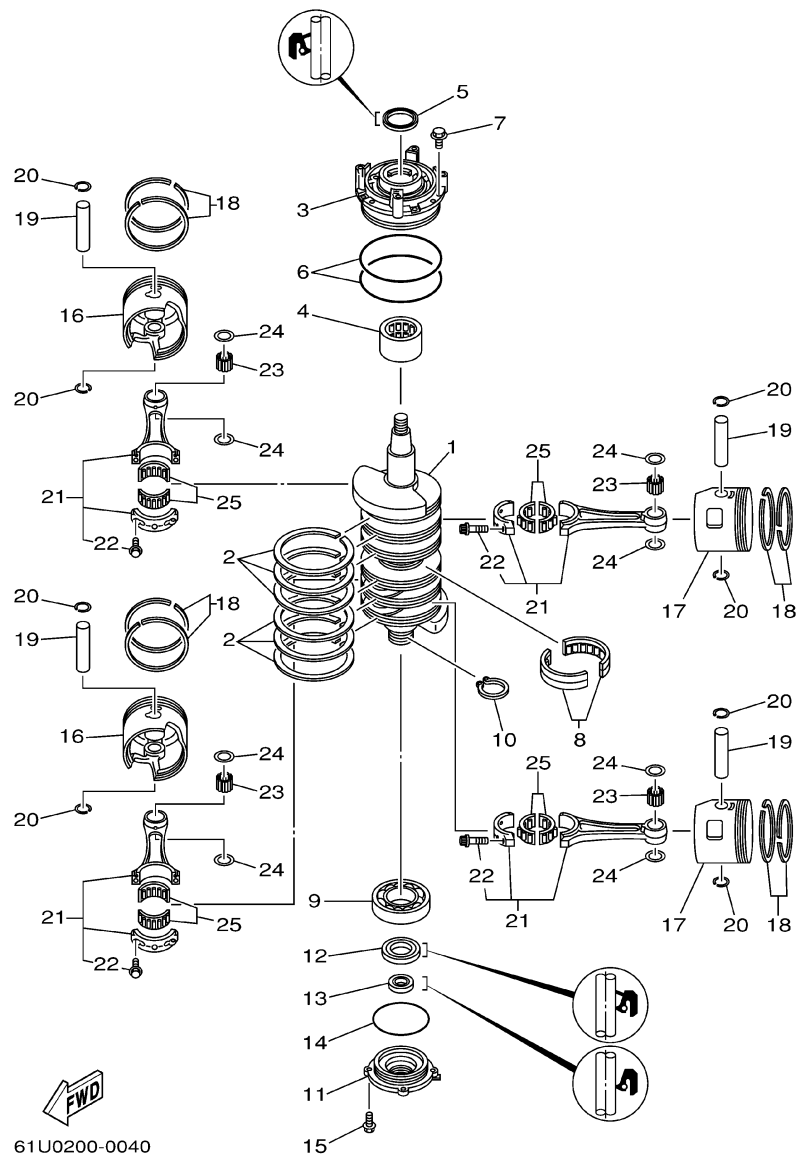
61U0200-0040

| REF. NO. | PART NO. CODIGO NO. | DESCRIPTION DESCRIPTION | ET | E | WH | MH | REMARKS OBSERVACION |
|----------|---------------------|---|----|---|----|----|---------------------|
| 1 | 6N7-11411-01 | CRANKSHAFT CIGUENAL | 1 | 1 | 1 | 1 | |
| 2 | 6E5-11447-00 | SEAL, CRANK SELLO MANIVELA | 6 | 6 | 6 | 6 | |
| 3 | 6E5-15163-00-1S | HOUSING, BEARING 1 CAJA DE COJINETE 1 | 1 | 1 | 1 | 1 | |
| 4 | 93311-940U3 | BEARING COJINETE | 1 | 1 | 1 | 1 | |
| 5 | 93102-40M14 | OIL SEAL SELLO ACEITE | 1 | 1 | 1 | 1 | |
| 6 | 93211-04001 | O-RING ANILLO O | 2 | 2 | 2 | 2 | |
| 7 | 90119-06MA2 | BOLT, WITH WASHER TORNILLO CON ARANDELA | 4 | 4 | 4 | 4 | |
| 8 | 93310-954U1 | BEARING COJINETE | 1 | 1 | 1 | 1 | |
| 9 | 93306-208U0 | BEARING COJINETE | 1 | 1 | 1 | 1 | |
| 10 | 93410-40M03 | CIRCLIP BOLA | 1 | 1 | 1 | 1 | |
| 11 | 6G5-15359-00-94 | HOUSING, OIL SEAL CAJA DE SELLO DE ACEITE | 1 | 1 | 1 | 1 | |
| 12 | 93102-35M13 | OIL SEAL SELLO ACEITE | 1 | 1 | 1 | 1 | |
| 13 | 93101-22M15 | OIL SEAL SELLO ACEITE | 1 | 1 | 1 | 1 | |
| 14 | 93210-74M35 | O-RING ANILLO O | 1 | 1 | 1 | 1 | |
| 15 | 90119-06MA2 | BOLT, WITH WASHER TORNILLO CON ARANDELA | 4 | 4 | 4 | 4 | |
| 16 | 6R5-11631-01-93 | PISTON (STD) PISTON (STD) | 2 | 2 | 2 | 2 | |
| | 6R5-11635-01 | PISTON (0.25MM O/S) PISTON (0.25MM O/S) | 2 | 2 | 2 | 2 | AP |
| | 6R5-11636-01 | PISTON (0.50MM O/S) PISTON (0.50MM O/S) | 2 | 2 | 2 | 2 | AP |
| 17 | 6R5-11642-01-93 | PISTON 2 (STD) PISTON 2 (STD) | 2 | 2 | 2 | 2 | |
| | 6R5-11645-01 | PISTON 2 (0.25MM O/S) PISTON 2 (0.25MM O/S) | 2 | 2 | 2 | 2 | AP |
| | 6R5-11646-01 | PISTON 2 (0.50MM O/S) PISTON 2 (0.50MM O/S) | 2 | 2 | 2 | 2 | AP |
| 18 | 61U-11601-00 | PISTON RING SET (STD) JUEGO DE AROS (STD) | 4 | 4 | 4 | 4 | |
| | 61U-11601-10 | PISTON RING SET (0.25MM O/S) JUEGO DE AROS (0.25MM O/S) | 4 | 4 | 4 | 4 | AP |
| | 61U-11601-20 | PISTON RING SET (0.50MM O/S) JUEGO DE AROS (0.50MM O/S) | 4 | 4 | 4 | 4 | AP |
| 19 | 6K7-11633-00 | PIN, PISTON PASADOR, PISTON | 4 | 4 | 4 | 4 | |
| 20 | 6E5-11634-00 | CLIP, PISTON PIN PRESILLA, BULON DE PISTON | 8 | 8 | 8 | 8 | |
| 21 | 6E5-11650-01 | CONNECTING ROD ASSY BIELA COMPLETA | 4 | 4 | 4 | 4 | |

B1

FIG. 4 CRANKSHAFT. PISTON

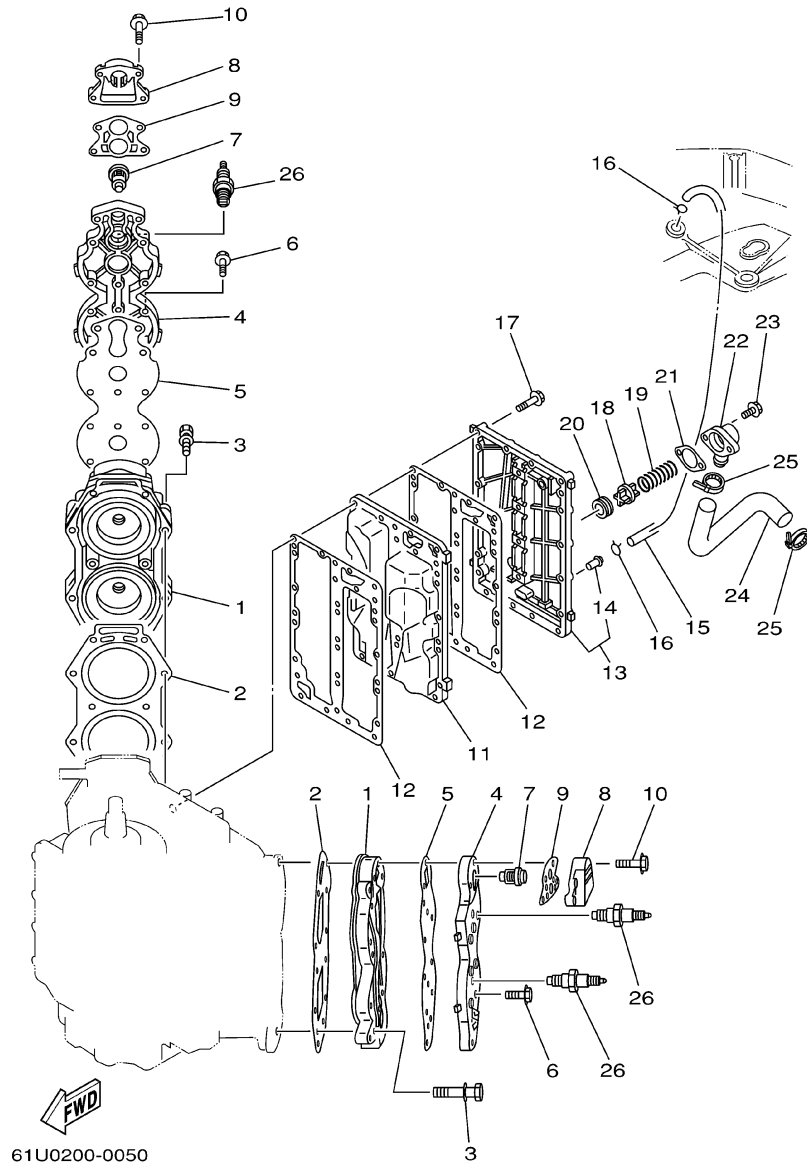
CIGUENAL. PISTON



FWD
61U0200-0040

| REF. NO. | PART NO. CODIGO NO. | DESCRIPTION DESCRIPTION | ET | E | WH | MH | REMARKS OBSERVACION |
|----------|---------------------|----------------------------------|----|---|----|----|---------------------|
| 22 | 90109-08022 | .BOLT .PERNO | 2 | 2 | 2 | 2 | |
| 23 | 93603-21111 | PIN, DOWEL PASADOR DE CLAVIJA | 1 | 1 | 1 | 1 | UN (QTY : 120) |
| 24 | 90201-21M75 | WASHER, PLATE ARANDELA PLANA | 8 | 8 | 8 | 8 | |
| 25 | 93310-836U0 | BEARING COJINETE | 4 | 4 | 4 | 4 | |
| <hr/> | | | | | | | |
| <hr/> | | | | | | | |
| <hr/> | | | | | | | |
| <hr/> | | | | | | | |
| <hr/> | | | | | | | |
| <hr/> | | | | | | | |
| <hr/> | | | | | | | |
| <hr/> | | | | | | | |
| <hr/> | | | | | | | |
| <hr/> | | | | | | | |

FIG. 5 CYLINDER. CRANKCASE 2 CYLINDRO. CARTER 2



61U0200-0050

| REF. NO. | PART NO. CODIGO NO. | DESCRIPTION DESCRIPTION | ET | E | WH | MH | REMARKS OBSERVACION |
|----------|---------------------|--|----|----|----|----|---------------------|
| 1 | 6E5-11111-00-1S | HEAD, CYLINDER 1 CULATA CILINDRO 1 | 2 | 2 | 2 | 2 | |
| 2 | 6E5-11181-A1 | GASKET, CYLINDER HEAD 1 JUNTA, DE CULATA 1 | 2 | 2 | 2 | 2 | |
| 3 | 90119-08MA8 | BOLT, WITH WASHER TORNILLO CON ARANDELA | 20 | 20 | 20 | 20 | |
| 4 | 6E5-11191-01-1S | COVER, CYLINDER HEAD 1 TAPA CULATA DE CILINDRO 1 | 2 | 2 | 2 | 2 | |
| 5 | 6E5-11193-A0 | GASKET, HEAD COVER 1 EMPAQUE | 2 | 2 | 2 | 2 | |
| 6 | 90119-06MA4 | BOLT, WITH WASHER TORNILLO CON ARANDELA | 24 | 24 | 24 | 24 | |
| 7 | 6E5-12411-20 | THERMOSTAT TERMOSTAT | 2 | 2 | 2 | 2 | |
| 8 | 6G5-12413-00-1S | COVER, THERMOSTAT CUBIERTA TERMOSTATO | 2 | 2 | 2 | 2 | |
| 9 | 688-12414-A1 | GASKET, COVER EMPAQUE | 2 | 2 | 2 | 2 | |
| 10 | 90119-06MA6 | BOLT, WITH WASHER TORNILLO CON ARANDELA | 8 | 8 | 8 | 8 | |
| 11 | 6E5-41111-00-1S | INNER COVER, EXHAUST CUBIERTA INTERIOR DE ESCAPE | 1 | 1 | 1 | 1 | |
| 12 | 6E5-41112-A1 | GASKET, EXHAUST INNER COVER EMPAQUE | 2 | 2 | 2 | 2 | |
| 13 | 6N7-41113-00-1S | OUTER COVER, EXHAUST CUBIERTA EXTERIOR DE ESCAPE | 1 | 1 | 1 | 1 | |
| 14 | 650-24378-00 | .PIPE, JOINT 4 .TUBO DE UNION 4 | 1 | 1 | 1 | 1 | |
| 15 | 6E5-24312-00 | PIPE 2 TUBO 2 | 1 | 1 | 1 | 1 | |
| 16 | 90467-08004 | CLIP PRESILLA | 2 | 2 | 2 | 2 | |
| 17 | 90119-06MA5 | BOLT, WITH WASHER TORNILLO CON ARANDELA | 23 | 23 | 23 | 23 | |
| 18 | 6G5-12416-00 | VALVE, PRESSURE CONTROL VALVULA DE CONTROL DE PRESION | 1 | 1 | 1 | 1 | |
| 19 | 90501-16M11 | SPRING, COMPRESSION RESORTE DE COMPRESION | 1 | 1 | 1 | 1 | |
| 20 | 90480-20M05 | GROMMET TAPON | 1 | 1 | 1 | 1 | |
| 21 | 6G5-11382-A1 | GASKET 2 EMPAQUE 2 | 1 | 1 | 1 | 1 | |
| 22 | 6G5-11372-00-1S | COVER, BYPASS 2 CUBIERTA | 1 | 1 | 1 | 1 | |
| 23 | 90119-06MA2 | BOLT, WITH WASHER TORNILLO CON ARANDELA | 2 | 2 | 2 | 2 | |
| 24 | 6E5-12576-00 | HOSE 1 MANGUERA 1 | 1 | 1 | 1 | 1 | |
| 25 | 90465-13M18 | CLAMP BRIDA | 2 | 2 | 2 | 2 | |
| 26 | 94702-00160 | PLUG, SPARK (NGK B8HS-10) BUJIA (NGK B8HS-10) | 4 | 4 | 4 | 4 | |
| | 94702-00247 | PLUG, SPARK (NGK BR8HS-10) BUJIA (NGK BR8HS-10) | 4 | 4 | | | FOR CHINA,CARIB |

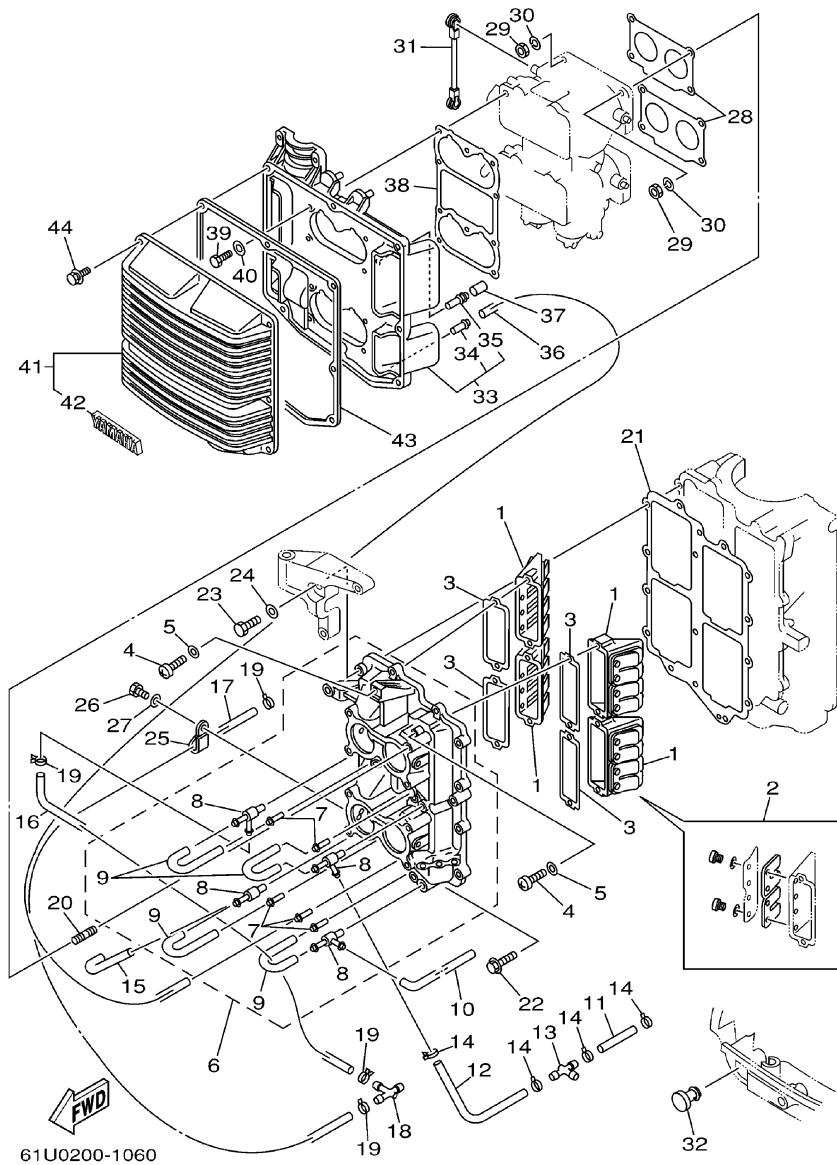


FIG. 6 INTAKE 1

ADMISION 1

| REF. NO. | PART NO. CODIGO NO. | DESCRIPTION DESCRIPTION | ET | E | WH | MH | REMARKS OBSERVACION |
|----------|---------------------|---|----|---|----|----|---------------------|
| 1 | 6E5-13610-00 | REED VALVE ASSY VALVULA DE LAMINAS COMPLETA | | | 4 | 4 | |
| 2 | 6E5-W0004-00 | .REED SET .JUEGO DE VALVULAS DE LENGUETA | | | 1 | 1 | |
| 3 | 6E5-13621-A1 | GASKET, VALVE SEAT JUNTA, DE VALV.DE EMPAQUE | | | 4 | 4 | |
| 4 | 97880-05025 | SCREW, PAN HEAD TORNILLO DE CABEZA CON PLANA | | | 8 | 8 | |
| 5 | 92990-05600 | WASHER, PLATE ARANDELA | | | 8 | 8 | |
| 6 | 6E5-13641-03-1S | MANIFOLD 1 MULTIPLE 1 | | | 1 | 1 | |
| 7 | 624-14485-00 | .PIPE, JOINT .TUBO DE UNION | | | 5 | 5 | |
| 8 | 6E5-11370-00 | .CHECK VALVE ASSY .VALVULA DE CONTROL COMPL. | | | 4 | 4 | |
| 9 | 90445-07M28 | .HOSE (L70) .TUBO (L70) | | | 4 | 4 | |
| 10 | 90445-07M24 | HOSE (L240) TUBO (L240) | | | 1 | 1 | |
| 11 | 90445-07M25 | HOSE (L53) TUBO (L53) | | | 1 | 1 | |
| 12 | 90445-07M23 | HOSE (L408) TUBO (L408) | | | 1 | 1 | |
| 13 | 6E0-24378-00 | PIPE, JOINT 4 TUBO DE UNION 4 | | | 1 | 1 | |
| 14 | 90468-07M02 | CLIP PRESILLA | | | 4 | 4 | |
| 15 | 90445-07M46 | HOSE (L360) TUBO (L360) | | | 1 | 1 | |
| 16 | 90445-07M59 | HOSE (L1160) TUBO (L1160) | | | 1 | 1 | |
| 17 | 90445-07M27 | HOSE (L310) TUBO (L310) | | | 1 | 1 | |
| 18 | 6E0-24378-00 | PIPE, JOINT 4 TUBO DE UNION 4 | | | 1 | 1 | |
| 19 | 90468-07M02 | CLIP PRESILLA | | | 4 | 4 | |
| 20 | 90116-06M30 | BOLT, STUD ESPARRAGO | | | 8 | 8 | |
| 21 | 6E5-13645-A1 | GASKET, MANIFOLD 1 EMPAQUE | | | 1 | 1 | |
| 22 | 90119-06MA3 | BOLT, WITH WASHER TORNILLO CON ARANDELA | | | 9 | 9 | |
| 23 | 97013-06045 | BOLT PERNO | | | 3 | 3 | |
| 24 | 92903-06600 | WASHER, PLATE ARANDELA | | | 3 | 3 | |
| 25 | 90465-06M86 | CLAMP BRIDA | | | 1 | 1 | |
| 26 | 97095-06012 | BOLT PERNO | | | | 1 | |
| 27 | 92995-06600 | WASHER ARANDELA | | | | 1 | |

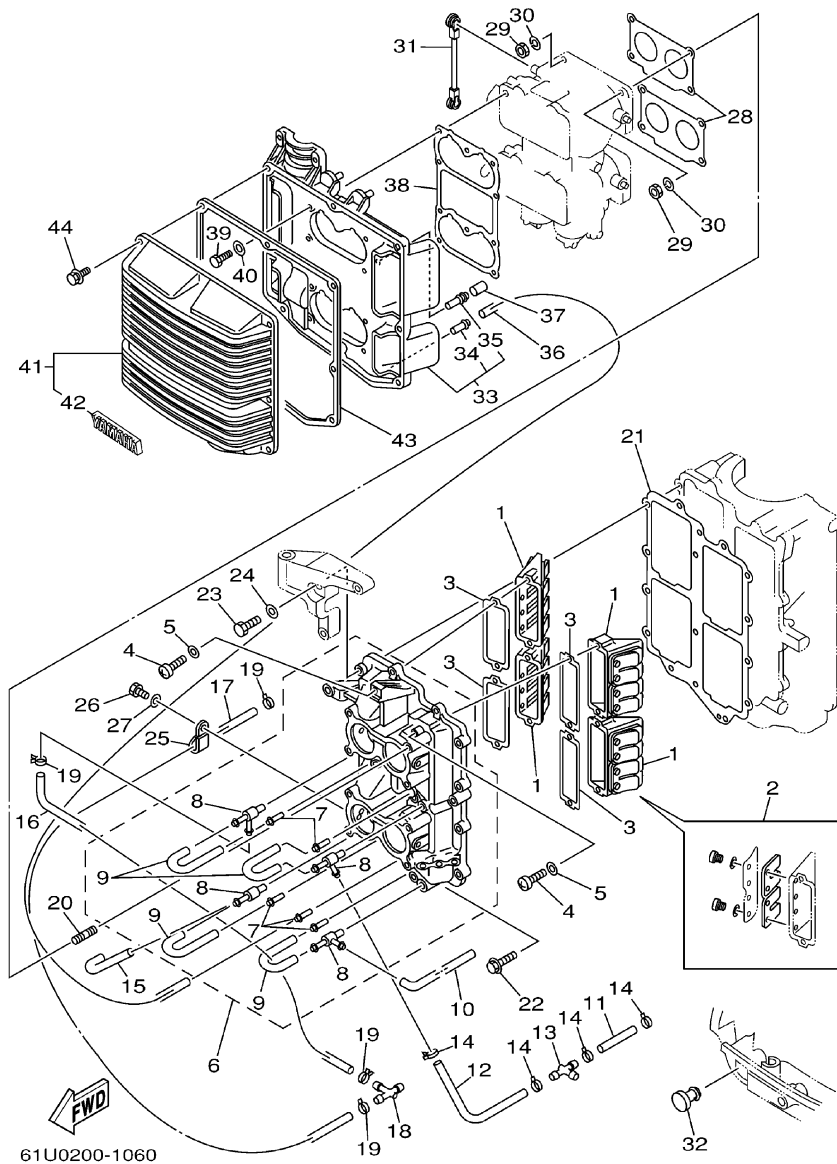


FIG. 6 INTAKE 1

ADMISION 1

| REF. NO. | PART NO. CODIGO NO. | DESCRIPTION DESCRIPTION | ET | E | WH | MH | REMARKS OBSERVACION |
|----------|---------------------|---|----|---|----|----|---------------------|
| 28 | 6E5-14198-A2 | GASKET EMPAQUE | | | 2 | 2 | |
| 29 | 95380-06600 | NUT, HEXAGON TUERCA | | | 8 | 8 | |
| 30 | 92995-06100 | WASHER, SPRING ARANDELA | | | 8 | 8 | |
| 31 | 6E5-41217-01 | ROD, ACCEL. LEVER VARILLA PALANCA ACELERADOR | | | 1 | 1 | |
| 32 | 6G1-42748-00 | GROMMET TAPON | | | 1 | 1 | |
| 33 | 61U-14417-00-94 | COVER 1 CUBIERTA 1 | | | 1 | 1 | |
| 34 | 624-14485-00 | .PIPE, JOINT .TUBO DE UNION | | | 1 | 1 | |
| 35 | 6E5-14485-00 | .PIPE, JOINT .TUBO DE UNION | | | 1 | 1 | |
| 36 | 90445-07M23 | HOSE (L408) TUBO (L408) | | | 1 | 1 | |
| 37 | 647-14395-60 | CAP, OVERFLOW PIPE TAPA DE TUBO REBOSAMIENTO | | | 1 | 1 | |
| 38 | 6E5-14483-A1 | GASKET EMPAQUE | | | 1 | 1 | |
| 39 | 97013-06020 | BOLT PERNO | | | 8 | 8 | |
| 40 | 92903-06600 | WASHER, PLATE ARANDELA | | | 8 | 8 | |
| 41 | 6E5-14418-00 | COVER 2 CUBIERTA 2 | | | 1 | 1 | |
| 42 | 6E5-1441K-00 | .EMBLEM .EMBLEMA | | | 1 | 1 | |
| 43 | 6E5-14416-A1 | GASKET, AIR CLEANER EMPAQUE | | | 1 | 1 | |
| 44 | 90119-06M31 | BOLT, WITH WASHER TORNILLO CON ARANDELA | | | 8 | 8 | |

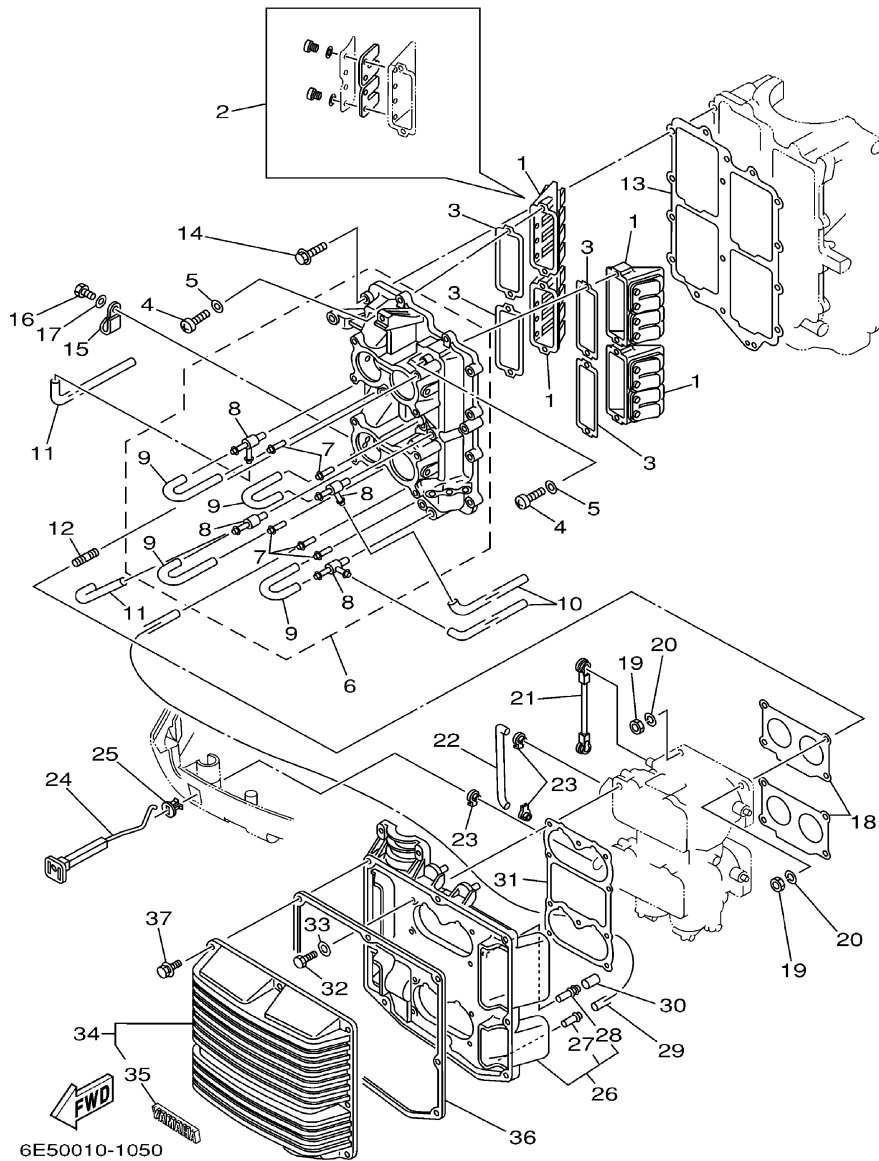


FIG. 7 INTAKE 2

ADMISION 2

| REF. NO. | PART NO. CODIGO NO. | DESCRIPTION DESCRIPTION | ET | E | WH | MH | REMARKS OBSERVACION |
|----------|---------------------|---|----|----|----|----|---------------------|
| 1 | 6E5-13610-00 | REED VALVE ASSY VALVULA DE LAMINAS COMPLETA | 4 | 4 | | | |
| 2 | 6E5-W0004-00 | .REED SET .JUEGO DE VALVULAS DE LENGUETA | 1 | 1 | | | |
| 3 | 6E5-13621-A1 | GASKET, VALVE SEAT JUNTA, DE VALV.DE EMPAQUE | 4 | 4 | | | |
| 4 | 97880-05025 | SCREW, PAN HEAD TORNILLO DE CABEZA CON PLANA | 8 | 8 | | | |
| 5 | 92990-05600 | WASHER, PLATE ARANDELA | 8 | 8 | | | |
| 6 | 6E5-13641-03-1S | MANIFOLD 1 MULTIPLE 1 | 1 | 1 | | | |
| 7 | 624-14485-00 | .PIPE, JOINT .TUBO DE UNION | 5 | 5 | | | |
| 8 | 6E5-11370-00 | .CHECK VALVE ASSY .VALVULA DE CONTROL COMPL. | 4 | 4 | | | |
| 9 | 90445-07M28 | .HOSE (L70) .TUBO (L70) | 4 | 4 | | | |
| 10 | 90445-07M24 | HOSE (L240) TUBO (L240) | 2 | 2 | | | |
| 11 | 90445-07M46 | HOSE (L360) TUBO (L360) | 2 | 2 | | | |
| 12 | 90116-06M30 | BOLT, STUD ESPARRAGO | 8 | 8 | | | |
| 13 | 6E5-13645-A1 | GASKET, MANIFOLD 1 EMPAQUE | 1 | 1 | | | |
| 14 | 90119-06MA3 | BOLT, WITH WASHER TORNILLO CON ARANDELA | 12 | 12 | | | |
| 15 | 90465-06M86 | CLAMP BRIDA | 1 | 1 | | | |
| 16 | 97095-06012 | BOLT PERNO | 1 | 1 | | | |
| 17 | 92995-06600 | WASHER ARANDELA | 1 | 1 | | | |
| 18 | 6E5-14198-A2 | GASKET EMPAQUE | 2 | 2 | | | |
| 19 | 95380-06600 | NUT, HEXAGON TUERCA | 8 | 8 | | | |
| 20 | 92995-06100 | WASHER, SPRING ARANDELA | 8 | 8 | | | |
| 21 | 6E5-41217-01 | ROD, ACCÉL. LEVER VARILLA PALANCA ACELERADOR | 1 | 1 | | | |
| 22 | 6E5-41256-01 | ROD, CHOKE 1 VARILLA DE AHOGADOR | 1 | 1 | | | |
| 23 | 661-41262-02 | JOINT, CHOKE LEVER CONECTOR DE AHOGADOR | 3 | 3 | | | |
| 24 | 6E5-41271-02 | KNOB, CHOKE PERILLA AHOGADOR | 1 | 1 | | | |
| 25 | 689-41273-00 | GROMMET TAPON PROTECTOR | 1 | 1 | | | |
| 26 | 6E5-14417-10-94 | COVER 1 CUBIERTA 1 | 1 | 1 | | | |
| 27 | 624-14485-00 | .PIPE, JOINT .TUBO DE UNION | 1 | 1 | | | |

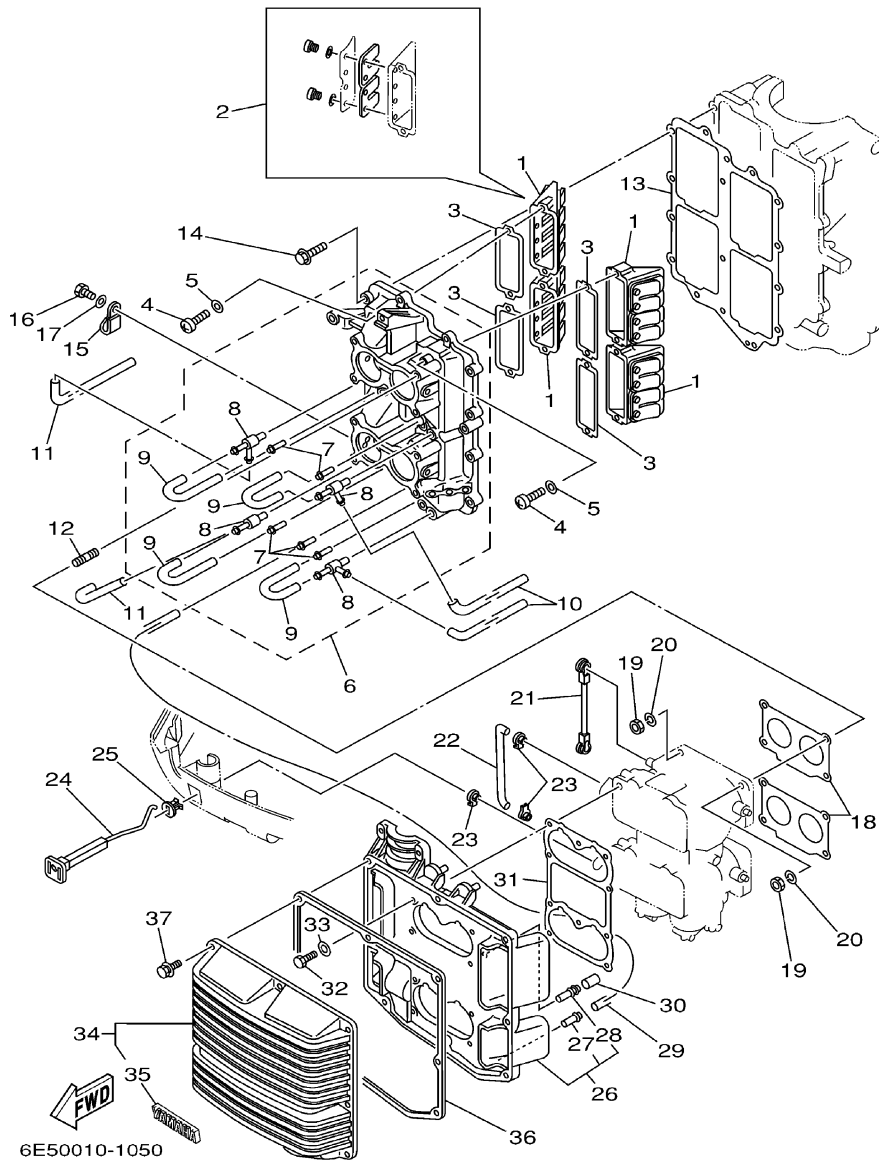


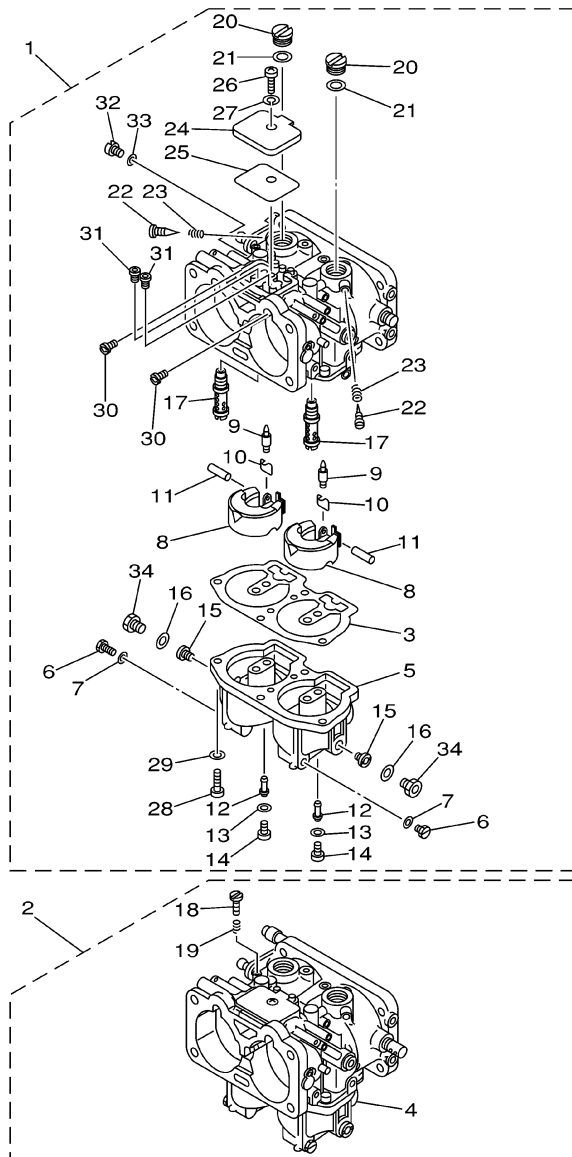
FIG. 7 INTAKE 2

ADMISION 2

| REF. NO. | PART NO. CODIGO NO. | DESCRIPTION DESCRIPTION | ET | E | WH | MH | REMARKS OBSERVACION |
|----------|---------------------|---|----|---|----|----|---------------------|
| 28 | 6E5-14485-00 | .PIPE, JOINT .TUBO DE UNION | 1 | 1 | | | |
| 29 | 90445-07M23 | HOSE (L408) TUBO (L408) | 1 | 1 | | | |
| 30 | 647-14395-60 | CAP, OVERFLOW PIPE TAPA DE TUBO REBOSAMIENTO | 1 | 1 | | | |
| 31 | 6E5-14483-A1 | GASKET EMPAQUE | 1 | 1 | | | |
| 32 | 97013-06020 | BOLT PERNO | 8 | 8 | | | |
| 33 | 92903-06600 | WASHER, PLATE ARANDELA | 8 | 8 | | | |
| 34 | 6E5-14418-00 | COVER 2 CUBIERTA 2 | 1 | 1 | | | |
| 35 | 6E5-1441K-00 | .EMBLEM .EMBLEMA | 1 | 1 | | | |
| 36 | 6E5-14416-A1 | GASKET, AIR CLEANER EMPAQUE | 1 | 1 | | | |
| 37 | 90119-06M31 | BOLT, WITH WASHER TORNILLO CON ARANDELA | 8 | 8 | | | |

FIG. 8 CARBURETOR 1

CARBURADOR 1

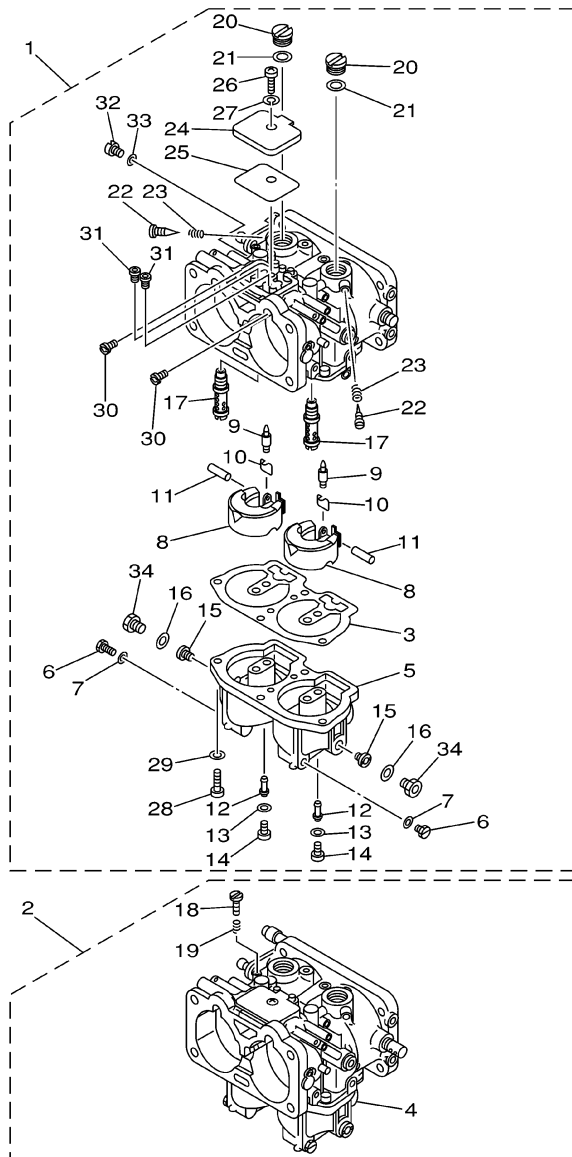


61U0200-0080

| REF. NO. | PART NO. CODIGO NO. | DESCRIPTION DESCRIPTION | ET | E | WH | MH | REMARKS OBSERVACION |
|----------|---------------------|--|----|---|----|----|---------------------|
| 1 | 61U-14301-M1 | CARBURETOR ASSY 1 CARBURADOR COMPLETO 1 | | | 1 | 1 | |
| 2 | 61U-14302-M1 | CARBURETOR ASSY 2 CARBURADOR COMPLETO 2 | | | 1 | 1 | |
| 3 | 6E5-14384-04 | .GASKET, FLOAT CHAMBER .EMPAQUE DE CAMARA DE BOIA | | | 2 | 2 | |
| 4 | 61U-14381-00 | .BODY, FLOAT CHAMBER .CUERPO DE CAMARA DE BOIA | | | 1 | 1 | #2 |
| 5 | 61U-14381-M0 | .BODY, FLOAT CHAMBER .CUERPO DE CAMARA DE BOIA | | | 1 | 1 | #1 |
| 6 | 6E5-14383-01 | .SCREW, DRAIN .TORNILLO DE DRENAJE | | | 4 | 4 | |
| 7 | 6J8-14995-00 | .GASKET .EMPAQUE | | | 4 | 4 | |
| 8 | 6E5-14385-02 | .FLOAT .BOIA | | | 4 | 4 | |
| 9 | 6E5-14546-00 | .VALVE, NEEDLE .VALVULA DE AGUJA | | | 4 | 4 | |
| 10 | 6E5-14159-00 | .CLIP .PRESILLA | | | 4 | 4 | |
| 11 | 6E5-14386-02 | .PIN, FLOAT .PASADOR DE BOIA | | | 4 | 4 | |
| 12 | 61U-1492F-39 | .JET, AIR SLOW .ESPREA | | | 4 | 4 | |
| 13 | 61U-14959-00 | .GASKET .EMPAQUE | | | 4 | 4 | |
| 14 | 61U-14394-00 | .VALVE, DRAIN .VALVULA DE DRENAJE | | | 4 | 4 | |
| 15 | 61A-1492E-87 | .JET, MAIN (#174) .INYECTOR, PRINCIPAL (#174) | | | 4 | 4 | |
| 16 | 6E5-14398-01 | .GASKET .EMPAQUE | | | 4 | 4 | |
| 17 | 6E5-1492A-00 | .NOZZLE, MAIN .BOQUILLA, PRINCIPAL | | | 4 | 4 | |
| 18 | 6E5-14321-00 | .SCREW, THROTTLE .TORNILLO DE OBTURADOR | | | 1 | 1 | #2 |
| 19 | 6J8-14334-00 | .SPRING, THROTTLE .RESORTE DE AJUSTADOR DE AIRE | | | 1 | 1 | #2 |
| 20 | 6E5-14328-01 | .PLUG .TORNILLO TOPE DE PILOTO | | | 4 | 4 | |
| 21 | 6E5-14979-00 | .GASKET .EMPAQUE DE ARRANQUE | | | 4 | 4 | |
| 22 | 6E5-14323-03 | .SCREW, AIR ADJUSTING .TORNILLO DE AJUSTE DE AIRE | | | 4 | 4 | |
| 23 | 6E5-14223-00 | .SPRING, AIR ADJUSTING .RESORTE, AJUSTE DE AIRE | | | 4 | 4 | |
| 24 | 6E5-14527-01 | .PLATE .PLACA | | | 2 | 2 | |
| 25 | 6E5-14959-01 | .GASKET .EMPAQUE | | | 2 | 2 | |
| 26 | 97880-05008 | .SCREW, PAN HEAD .TORNILLO DE CABEZA CON PLANA | | | 2 | 2 | |
| 27 | 92900-05100 | .WASHER .ARANDELA | | | 2 | 2 | |

FIG. 8 CARBURETOR 1

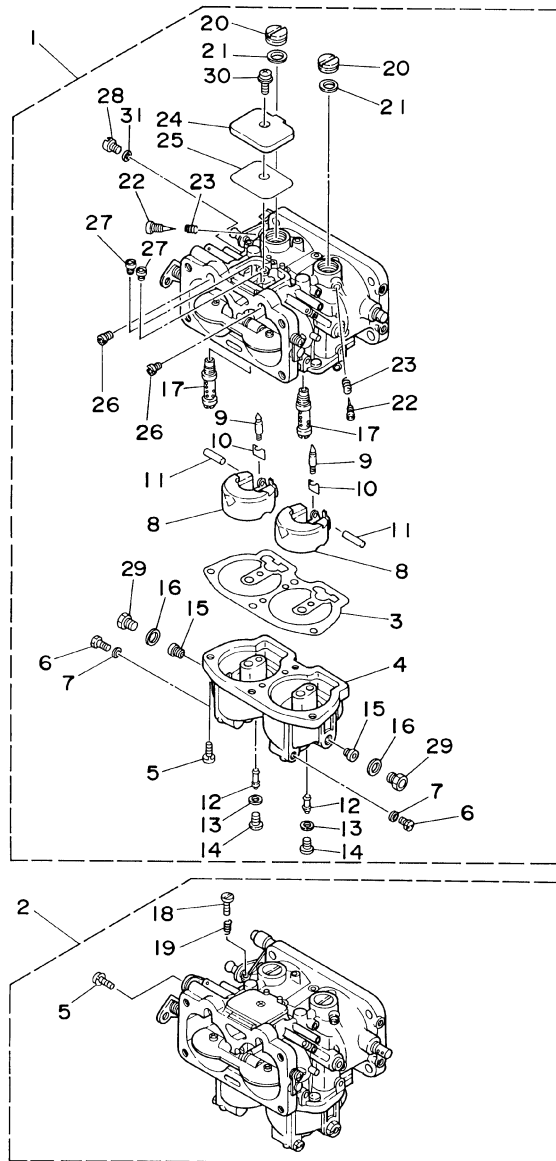
CARBURADOR 1



| REF. NO. | PART NO. CODIGO NO. | DESCRIPTION DESCRIPTION | ET | E | WH | MH | REMARKS OBSERVACION |
|----------|---------------------|---|----|---|----|----|---------------------|
| 28 | 97880-05016 | .SCREW, PAN HEAD .TORNILLO DE CABEZA CON PLANA | | | 8 | 8 | |
| 29 | 92900-05100 | .WASHER .ARANDELA | | | 8 | 8 | |
| 30 | 61A-1492H-12 | .JET, SLOW AIR BLEED (#60) .ESPREA AIRE (#60) | | | 4 | 4 | |
| 31 | 61A-1492G-54 | .JET, MAIN AIR BLEED .INYECTOR, PRINCIPAL AIRE | | | 4 | 4 | |
| 32 | 6E5-14324-00 | .SCREW, FLAT HEAD .TORNILLO CABEZA PLANA | | | 2 | 2 | |
| 33 | 6J8-14959-00 | .GASKET .EMPAQUE | | | 2 | 2 | |
| 34 | 61A-14383-01 | .SCREW, DRAIN .TORNILLO DE DRENAJE | | | 4 | 4 | |

FIG. 9 CARBURETOR 2

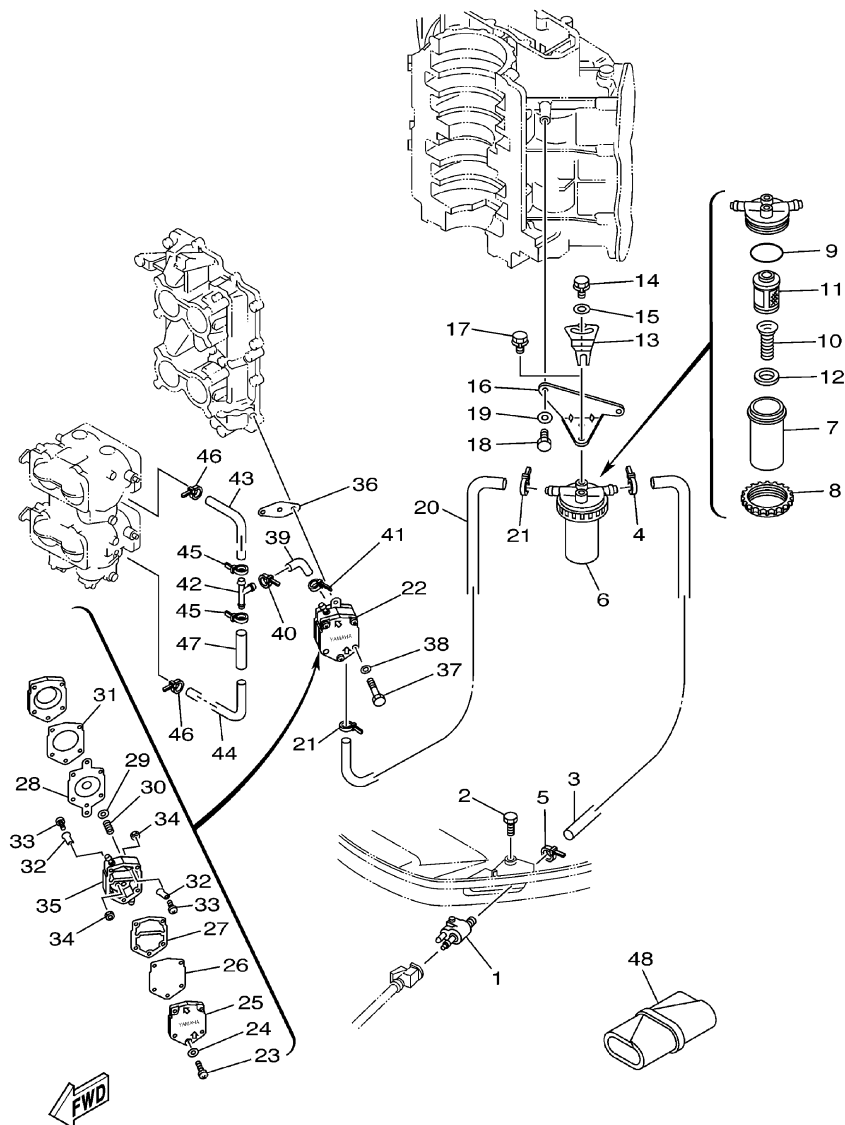
CARBURADOR 2



| REF. NO. | PART NO. CODIGO NO. | DESCRIPTION DESCRIPTION | ET | E | WH | MH | REMARKS OBSERVACION |
|----------|---------------------|--|----|---|----|----|---------------------|
| 1 | 61U-14301-02 | CARBURETOR ASSY 1 CARBURADOR COMPLETO 1 | 1 | 1 | | | |
| 2 | 61U-14302-02 | CARBURETOR ASSY 2 CARBURADOR COMPLETO 2 | 1 | 1 | | | |
| 3 | 6E5-14384-04 | .GASKET, FLOAT CHAMBER .EMPAQUE DE CAMARA DE BOIA | 2 | 2 | | | |
| 4 | 61U-14381-00 | .BODY, FLOAT CHAMBER .CUERPO DE CAMARA DE BOIA | 2 | 2 | | | |
| 5 | 97980-05116 | .SCREW, WITH WASHER .TORNILLO, CON ARANDELA | 9 | 9 | | | |
| 6 | 6E5-14383-01 | .SCREW, DRAIN .TORNILLO DE DRENAJE | 4 | 4 | | | |
| 7 | 6J8-14995-00 | .GASKET .EMPAQUE | 4 | 4 | | | |
| 8 | 6E5-14385-02 | .FLOAT .BOIA | 4 | 4 | | | |
| 9 | 6E5-14546-00 | .VALVE, NEEDLE .VALVULA DE AGUJA | 4 | 4 | | | |
| 10 | 6E5-14159-00 | .CLIP .PRESILLA | 4 | 4 | | | |
| 11 | 6E5-14386-02 | .PIN, FLOAT .PASADOR DE BOIA | 4 | 4 | | | |
| 12 | 61U-1492F-39 | .JET, AIR SLOW .ESPREA | 4 | 4 | | | |
| 13 | 61U-14959-00 | .GASKET .EMPAQUE | 4 | 4 | | | |
| 14 | 61U-14394-00 | .VALVE, DRAIN .VALVULA DE DRENAJE | 4 | 4 | | | |
| 15 | 61A-1492E-87 | .JET, MAIN (#174) .INJECTOR, PRINCIPAL | 4 | 4 | | | |
| 16 | 6E5-14398-01 | .GASKET .EMPAQUE | 4 | 4 | | | |
| 17 | 6E5-1492A-00 | .NOZZLE, MAIN .BOQUILLA, PRINCIPAL | 4 | 4 | | | |
| 18 | 6E5-14321-00 | .SCREW, THROTTLE .TORNILLO DE OBTURADOR | 1 | 1 | | | #2 |
| 19 | 6J8-14334-00 | .SPRING, THROTTLE .RESORTE DE AJUSTADOR DE AIRE | 1 | 1 | | | #2 |
| 20 | 6E5-14328-01 | .PLUG .TORNILLO TOPE DE PILOTO | 4 | 4 | | | |
| 21 | 6E5-14979-00 | .GASKET .EMPAQUE DE ARRANQUE | 4 | 4 | | | |
| 22 | 6E5-14323-03 | .SCREW, AIR ADJUSTING .TORNILLO DE AJUSTE DE AIRE | 4 | 4 | | | |
| 23 | 6E5-14223-00 | .SPRING, AIR ADJUSTING .RESORTE, AJUSTE DE AIRE | 4 | 4 | | | |
| 24 | 6E5-14527-01 | .PLATE .PLACA | 2 | 2 | | | |
| 25 | 6E5-14959-01 | .GASKET .EMPAQUE | 2 | 2 | | | |
| 26 | 61A-1492H-12 | .JET, SLOW AIR BLEED (#60) .ESPREA AIRE (#60) | 4 | 4 | | | |
| 27 | 61A-1492G-54 | .JET, MAIN AIR BLEED .INJECTOR, PRINCIPAL AIRE | 4 | 4 | | | |

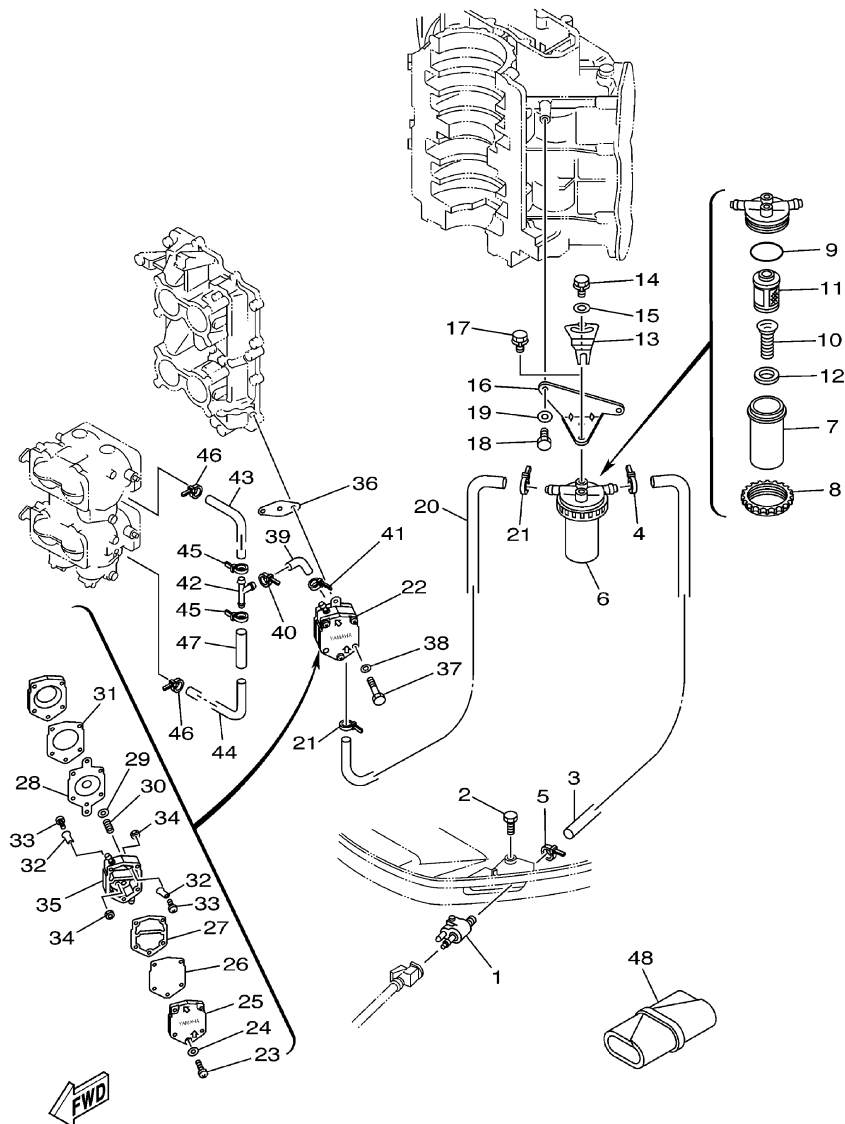
FIG. 10 FUEL 1

COMBUSTIBLE 1



61U0200-1101

| REF. NO. | PART NO. CODIGO NO. | DESCRIPTION DESCRIPTION | ET | E | WH | MH | REMARKS OBSERVACION |
|----------|---------------------|--|----|---|----|----|---------------------|
| 1 | 6E5-24304-10 | FUEL PIPE JOINT COMP. 1 CONECTOR MANGUERA COMBUST.1 | 1 | 1 | 1 | 1 | |
| 2 | 97095-06028 | BOLT PERNO | 1 | 1 | 1 | 1 | |
| 3 | 61U-24313-00 | PIPE 3 TUBO 3 | 1 | 1 | 1 | 1 | |
| 4 | 90465-11M10 | CLAMP BRIDA | 1 | 1 | 1 | 1 | |
| 5 | 90465-11M10 | CLAMP BRIDA | 1 | 1 | 1 | 1 | |
| 6 | 61A-24560-04 | FILTER ASSY FILTRO COMPLETO | 1 | 1 | 1 | 1 | |
| 7 | 61A-24521-00 | .CUP, FILTER .COPA DE FILTRO | 1 | 1 | 1 | 1 | |
| 8 | 65L-24531-01 | .NUT .TUERCA | 1 | 1 | 1 | 1 | |
| 9 | 61A-24564-00 | .O-RING .ANILLO O | 1 | 1 | 1 | 1 | |
| 10 | 61A-24577-01 | .SPRING .RESORTE | 1 | 1 | 1 | 1 | |
| 11 | 61A-24563-00 | .ELEMENT, FILTER .ELEMENTO DEL FILTRO | 1 | 1 | 1 | 1 | |
| 12 | 61A-24469-00 | .FLOAT, WATER LEVEL .BOIA | 1 | 1 | 1 | 1 | |
| 13 | 65L-24558-00 | HOLDER, FILTER SOPORTE DE FILTRO | 1 | 1 | 1 | 1 | |
| 14 | 97595-06416 | BOLT, WITH WASHER PERNO CON ARANDELA RONDELLE | 1 | 1 | 1 | 1 | |
| 15 | 90201-06068 | WASHER, PLATE ARANDELA PLANA | 1 | 1 | 1 | 1 | |
| 16 | 61U-24566-00 | BRACKET, FILTER SOPORTE DEL FILTRO | 1 | 1 | 1 | 1 | |
| 17 | 97595-06514 | BOLT, WITH WASHER PERNO CON ARANDELA RONDELLE | 1 | 1 | 1 | 1 | |
| 18 | 97095-06016 | BOLT PERNO | 2 | 2 | 2 | 2 | |
| 19 | 92995-06600 | WASHER ARANDELA | 2 | 2 | 2 | 2 | |
| 20 | 61U-24314-00 | PIPE 4 TUBO 4 | 1 | 1 | | | |
| 21 | 90465-11M10 | CLAMP BRIDA | 2 | 2 | | | |
| 22 | 6E5-24410-03 | FUEL PUMP ASSY BOMBA DE COMBUSTIBLE COMPLETA | 1 | 1 | 1 | 1 | |
| 23 | 98503-05035 | .SCREW, PAN HEAD .TORNILLO DE CABEZA CON PLANA | 3 | 3 | 3 | 3 | |
| 24 | 92903-05600 | .WASHER, PLATE .ARANDELA | 3 | 3 | 3 | 3 | |
| 25 | 6E5-24413-00 | .BODY 2 .CUERPO 2 | 1 | 1 | 1 | 1 | |
| 26 | 6E5-24471-00 | .DIAPHRAGM .DIAFRAGMA | 1 | 1 | 1 | 1 | |
| 27 | 6E5-24435-00 | .GASKET, BODY 2 .EMPAQUE | 1 | 1 | 1 | 1 | |



61U0200-1101

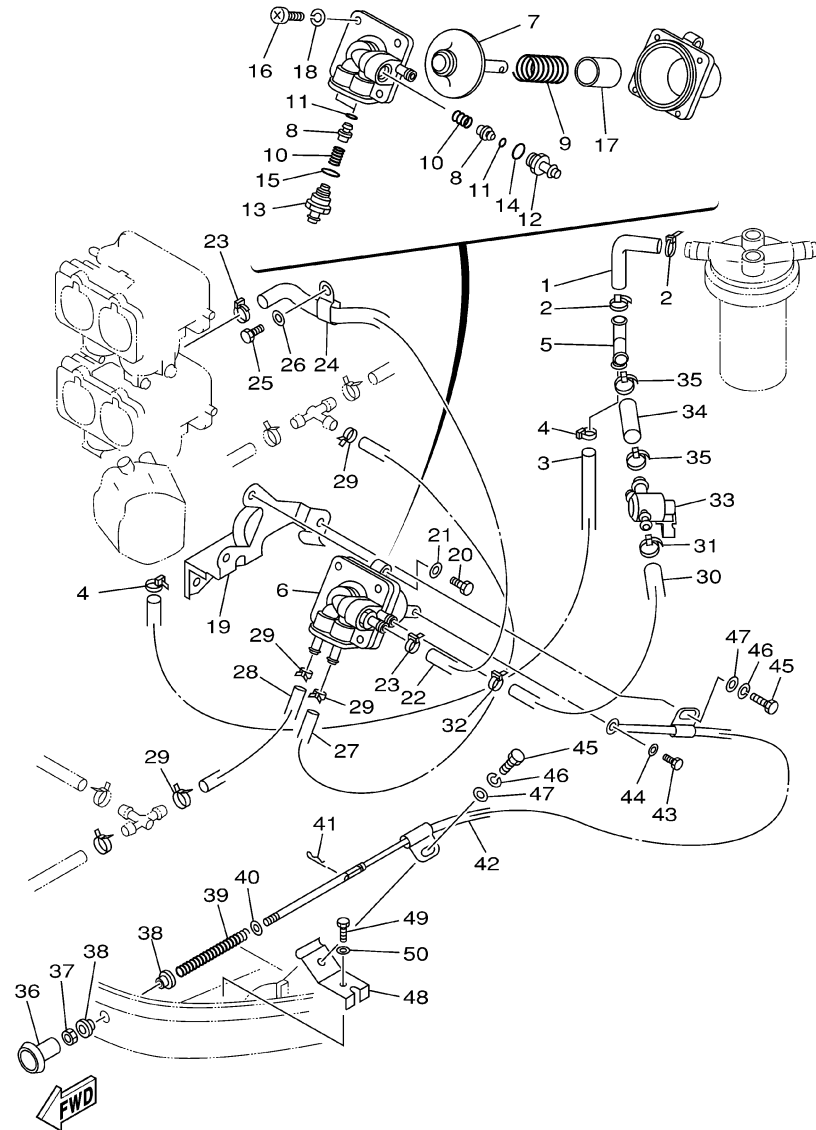
FIG. 10 FUEL 1

COMBUSTIBLE 1

| REF. NO. | PART NO. CODIGO NO. | DESCRIPTION DESCRIPTION | ET | E | WH | MH | REMARKS OBSERVACION |
|----------|---------------------|--|----|---|----|----|---------------------|
| 28 | 6E5-24411-00 | .DIAPHRAGM .DIAFRAGMA | 1 | 1 | 1 | 1 | |
| 29 | 648-24424-00 | .SEAT, SPRING .PLACA DE RESORTE | 1 | 1 | 1 | 1 | |
| 30 | 6E5-24423-00 | .SPRING, DIAPHRAGM .RESORTE DE DIAFRAGMA | 1 | 1 | 1 | 1 | |
| 31 | 6E5-24434-02 | .GASKET, BODY .EMPAQUE | 1 | 1 | 1 | 1 | |
| 32 | 6A0-24421-01 | .VALVE, CHECK .VALVULA DE RETENCION | 4 | 4 | 4 | 4 | |
| 33 | 6A0-14325-00 | .SCREW, PAN HEAD .TORNILLO CABEZA REDONDA | 4 | 4 | 4 | 4 | |
| 34 | 95380-03600 | .NUT .TUERCA | 4 | 4 | 4 | 4 | |
| 35 | 6E5-24412-10 | .BODY 1 .CUERPO 1 | 1 | 1 | 1 | 1 | |
| 36 | 650-24431-A0 | GASKET, FUEL PUMP 1 EMPAQUE BOMBA COMBUST 1 | 1 | 1 | 1 | 1 | |
| 37 | 97095-06050 | BOLT PERNO | 2 | 2 | 2 | 2 | |
| 38 | 92995-06600 | WASHER ARANDELA | 2 | 2 | 2 | 2 | |
| 39 | 6G5-24316-10 | PIPE 6 TUBO 6 | 1 | 1 | 1 | 1 | |
| 40 | 90465-11M10 | CLAMP BRIDA | 1 | 1 | 1 | 1 | |
| 41 | 90465-11M10 | CLAMP BRIDA | 1 | 1 | 1 | 1 | |
| 42 | 6E5-24376-10 | PIPE, JOINT 1 TUBO DE UNION 1 | 1 | 1 | 1 | 1 | |
| 43 | 6G5-24318-10 | PIPE, OVERFLOW TUBO DE REBOSAMIENTO | 1 | 1 | 1 | 1 | |
| 44 | 6G5-24319-10 | PIPE, OIL TUBO DE ACEITE | 1 | 1 | 1 | 1 | |
| 45 | 90465-11M10 | CLAMP BRIDA | 2 | 2 | 2 | 2 | |
| 46 | 90465-11M10 | CLAMP BRIDA | 2 | 2 | 2 | 2 | |
| 47 | 90446-15M07 | HOSE TUBO RESEIRADERO | 1 | 1 | 1 | 1 | |
| 48 | 656-W2810-02 | TOOL KIT JUEGO DE HERRAMIENTAS | 1 | 1 | 1 | 1 | |

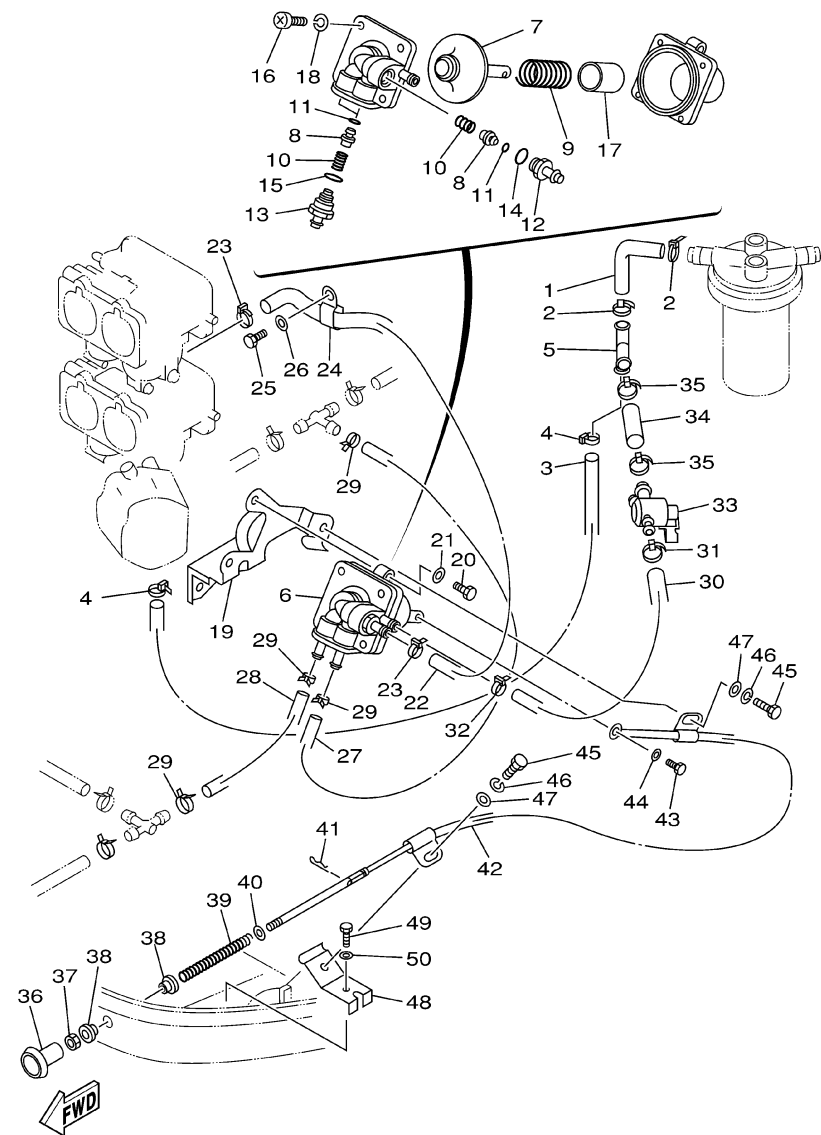
FIG. 11 FUEL 2

COMBUSTIBLE 2



61U0200-8110

| REF. NO. | PART NO. CODIGO NO. | DESCRIPTION DESCRIPTION | ET | E | WH | MH | REMARKS OBSERVACION |
|----------|---------------------|---|----|---|----|----|---------------------|
| 1 | 61U-24316-00 | PIPE 6 TUBO 6 | | | 1 | 1 | |
| 2 | 90465-11M10 | CLAMP BRIDA | | | 2 | 2 | |
| 3 | 90445-13M11 | HOSE (L300) TUBO (L300) | | | 1 | 1 | |
| 4 | 90465-11M10 | CLAMP BRIDA | | | 2 | 2 | |
| 5 | 6E5-24378-00 | PIPE, JOINT 4 TUBO DE UNION 4 | | | 1 | 1 | |
| 6 | 61U-24410-00 | FUEL PUMP ASSY BOMBA DE COMBUSTIBLE COMPLETA | | | 1 | 1 | |
| 7 | 61U-24411-00 | .DIAPHRAGM .DIAFRAGMA | | | 1 | 1 | |
| 8 | 61U-24421-00 | .VALVE, CHECK .VALVULA DE RETENCION | | | 3 | 3 | |
| 9 | 61U-24423-00 | .SPRING, DIAPHRAGM .RESORTE DE DIAFRAGMA | | | 1 | 1 | |
| 10 | 61U-24454-00 | .SPRING .RESORTE | | | 3 | 3 | |
| 11 | 61U-24486-00 | .O-RING .ANILLO O | | | 3 | 3 | |
| 12 | 61U-24461-00 | .PIPE, JOINT .TUBO DE UNION | | | 1 | 1 | |
| 13 | 61U-24478-00 | .JT .UNION | | | 2 | 2 | |
| 14 | 61U-24479-00 | .O-RING .ANILLO O | | | 1 | 1 | |
| 15 | 61U-24489-00 | .O-RING .ANILLO O | | | 2 | 2 | |
| 16 | 97880-06016 | .SCREW, PAN HEAD .TORNILLO DE CABEZA CON PLANA | | | 4 | 4 | |
| 17 | 61U-24424-00 | .SEAT, SPRING .PLACA DE RESORTE | | | 1 | 1 | |
| 18 | 92990-06100 | .WASHER, SPRING .ARANDELA | | | 4 | 4 | |
| 19 | 61U-24491-10 | BRACKET, FUEL PUMP SOPORTE BOMBA COMBUSTIBLE | | | 1 | 1 | |
| 20 | 97095-06020 | BOLT PERNO | | | 2 | 2 | |
| 21 | 92995-06600 | WASHER ARANDELA | | | 2 | 2 | |
| 22 | 61U-24315-00 | PIPE 5 TUBO DE DESAGUE | | | 1 | 1 | |
| 23 | 90465-11M10 | CLAMP BRIDA | | | 2 | 2 | |
| 24 | 90465-08M46 | CLAMP BRIDA | | | | 1 | |
| 25 | 97095-06012 | BOLT PERNO | | | | 1 | |
| 26 | 92995-06600 | WASHER ARANDELA | | | | 1 | |
| 27 | 90445-07MA3 | HOSE (L200) TUBO (L200) | | | 1 | 1 | |



61U0200-8110

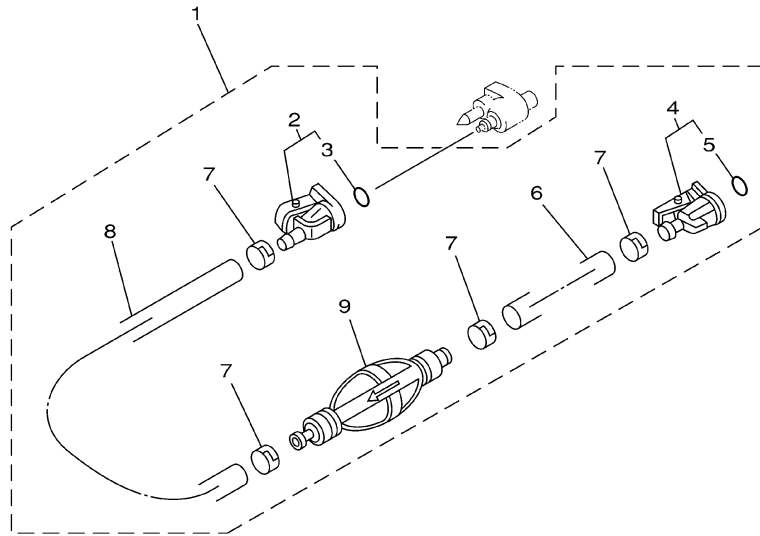
FIG. 11 FUEL 2

COMBUSTIBLE 2

| REF. NO. | PART NO. CODIGO NO. | DESCRIPTION DESCRIPTION | ET | E | WH | MH | REMARKS OBSERVACION |
|----------|---------------------|--|----|---|----|----|---------------------|
| 28 | 90445-07M32 | HOSE (L120) TUBO (L120) | | | 1 | 1 | |
| 29 | 90468-07M02 | CLIP PRESILLA | | | 4 | 4 | |
| 30 | 61U-24317-00 | PIPE 7 TUBO 7 | | | 1 | 1 | |
| 31 | 90465-11M10 | CLAMP BRIDA | | | 1 | 1 | |
| 32 | 90465-11M10 | CLAMP BRIDA | | | 1 | 1 | |
| 33 | 61A-24500-00 | FUEL COCK ASSY 1 GRIFO DE COMBUSTIBLE 1 | | | 1 | 1 | |
| 34 | 90445-13M02 | HOSE (L40) TUBO (L40) | | | 1 | 1 | |
| 35 | 90465-11M10 | CLAMP BRIDA | | | 2 | 2 | |
| 36 | 61U-24496-00 | KNOB PERILLA | | | 1 | 1 | |
| 37 | 95380-05600 | NUT TUERCA | | | 1 | 1 | |
| 38 | 90386-05M54 | BUSH BUJE | | | 2 | 2 | |
| 39 | 90501-07M81 | SPRING, COMPRESSION RESORTE DE COMPRESION | | | 1 | 1 | |
| 40 | 90201-05M06 | WASHER, PLATE ARANDELA PLANA | | | 1 | 1 | |
| 41 | 90468-05M03 | CLIP PRESILLA | | | 1 | 1 | |
| 42 | 61U-24494-00 | WIRE, PULL ALAMBRE JALADOR | | | 1 | 1 | |
| 43 | 97095-05010 | BOLT PERNO | | | 1 | 1 | |
| 44 | 92995-05600 | WASHER ARANDELA | | | 1 | 1 | |
| 45 | 97095-06012 | BOLT PERNO | | | 2 | 2 | |
| 46 | 92995-06100 | WASHER, SPRING ARANDELA | | | 2 | 2 | |
| 47 | 92995-06600 | WASHER ARANDELA | | | 2 | 2 | |
| 48 | 61U-42744-00 | STAY SOPORTE | | | 1 | 1 | |
| 49 | 97095-06016 | BOLT PERNO | | | 1 | 1 | |
| 50 | 92995-06100 | WASHER, SPRING ARANDELA | | | 1 | 1 | |

FIG. 12 FUEL 3

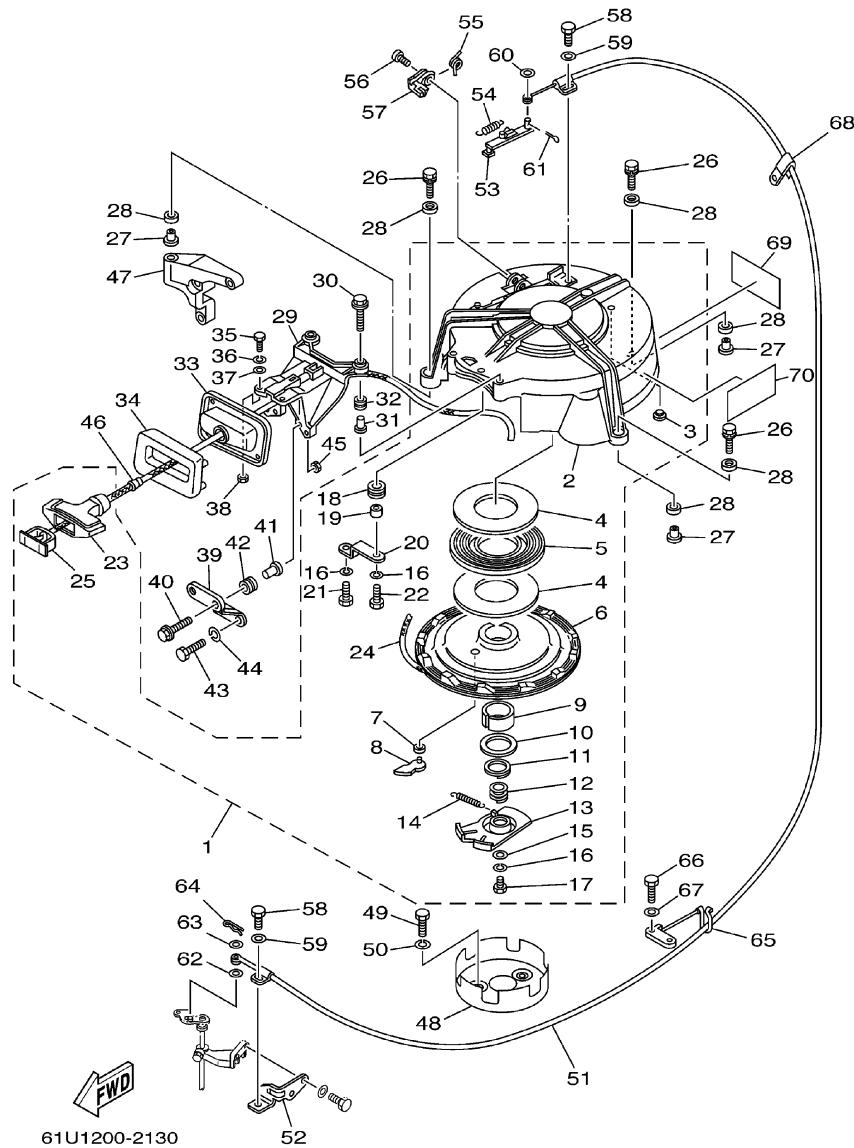
COMBUSTIBLE 3



| REF. NO. | PART NO. CODIGO NO. | DESCRIPTION DESCRIPTION | ET | E | WH | MH | REMARKS OBSERVACION |
|----------|---------------------|--|----|---|----|----|---------------------|
| 1 | 6Y2-24306-53 | FUEL PIPE COMP. 1 TUBO COMBUST. COMPL 1 | 1 | 1 | | | AP FOR TUNA |
| 2 | 6E5-24305-04 | .FUEL PIPE JOINT COMP. 2 .CONECTOR MANGUERA COMBUST.2 | 1 | 1 | | | |
| 3 | 93210-08287 | ..O-RING ..ANILLO O | 1 | 1 | | | |
| 4 | 6Y2-24305-04 | .FUEL PIPE JOINT COMP. 2 .CONECTOR MANGUERA COMBUST.2 | 1 | 1 | | | |
| 5 | 93210-08287 | ..O-RING ..ANILLO O | 1 | 1 | | | |
| 6 | 90445-13M01 | .HOSE (L:2050) .MANGUERA (L:2050) | 1 | 1 | | | |
| 7 | 6E5-24351-51 | .BAND 1 .ABRAZADERA 1 | 4 | 4 | | | |
| 8 | 90445-13M00 | .HOSE (L850) .MANGUERA (L850) | 1 | 1 | | | |
| 9 | 6Y2-24360-52 | .PRIMER PUMP ASSY .SOPORTE BOMBA | 1 | 1 | | | |



61U0200-0120



61U1200-2130

FIG. 13 STARTER

ARRANQUE

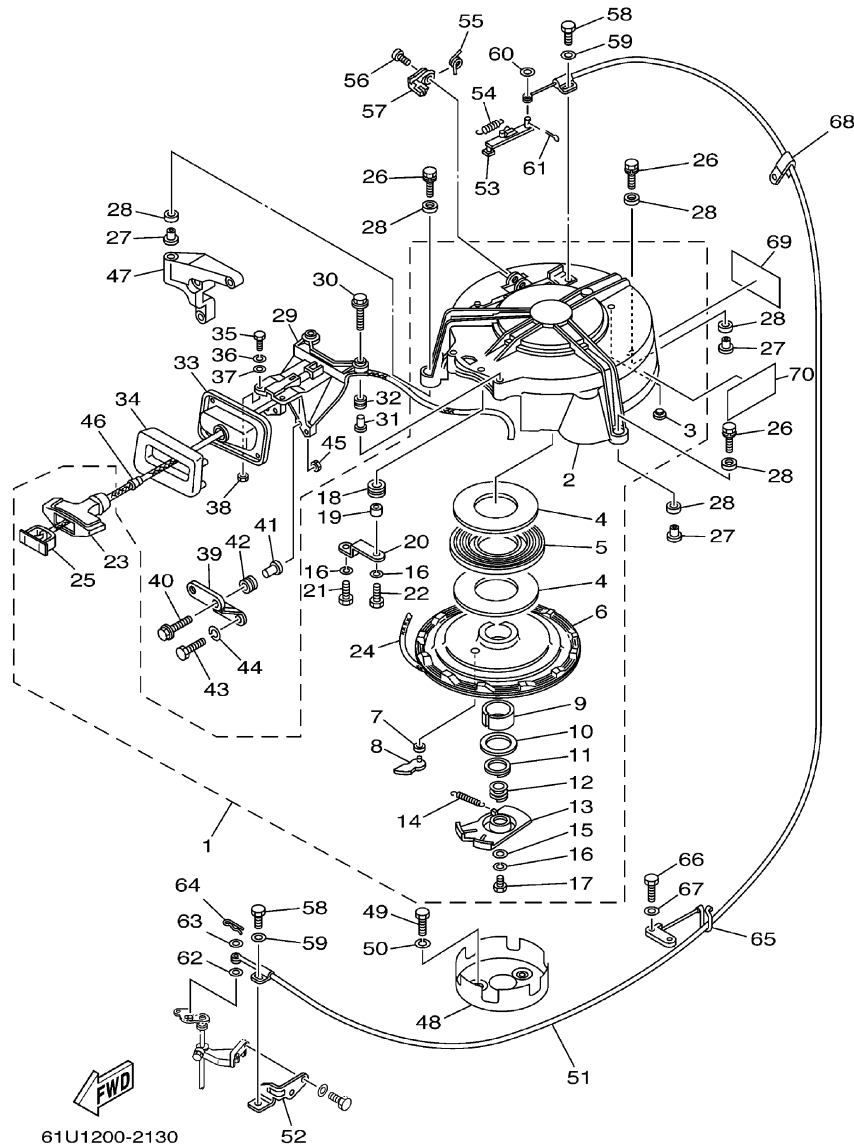
| REF. NO. | PART NO. CODIGO NO. | DESCRIPTION DESCRIPTION | ET | E | WH | MH | REMARKS OBSERVACION |
|----------|---------------------|---|----|---|----|----|---------------------|
| 1 | 61U-W1571-00 | STARTER ASSY ARRANQUE COMPLETO | | | 1 | 1 | |
| 2 | 61U-15711-00 | .CASE, STARTER .CAJA DE ARRANQUE | | | 1 | 1 | |
| 3 | 696-15773-00 | .STAY 3 .SOPORTE 3 | | | 5 | 5 | |
| 4 | 663-15739-00 | .WASHER, THRUST .ARANDELA DE EMPUJE AXIAL | | | 2 | 2 | |
| 5 | 663-15713-00 | .SPRING, STARTER .RESORTE DE ARRANQUE | | | 1 | 1 | |
| 6 | 61U-15714-00 | .DRUM, SHEAVE .TAMBOR ROLDANA | | | 1 | 1 | |
| 7 | 663-15764-00 | .COLLAR 1 .COLLAR 1 | | | 1 | 1 | |
| 8 | 663-15741-02 | .PAWL, DRIVE .TRINQUETE DE TRACCION | | | 1 | 1 | |
| 9 | 663-15754-00 | .BUSH 2 .BUJE | | | 1 | 1 | |
| 10 | 663-15726-01 | .WASHER, FLAT .ARANDELA PLANA | | | 1 | 1 | |
| 11 | 663-15744-00 | .CIRCLIP .SEGURO | | | 1 | 1 | |
| 12 | 663-15715-00 | .SPRING, FRICTION .RESORTE PLACA DE TRACCION | | | 1 | 1 | |
| 13 | 696-15716-00 | .PLATE, DRIVE .PLACA DE TRACCION | | | 1 | 1 | |
| 14 | 696-15734-00 | .SPRING, RETURN .RESORTE DE RETORNO | | | 1 | 1 | |
| 15 | 663-15719-00 | .WASHER, THRUST .ARANDELA DE EMPUJE | | | 1 | 1 | |
| 16 | 92905-06100 | .WASHER .ARANDELA | | | 3 | 3 | |
| 17 | 97305-06016 | .BOLT .PERNO | | | 1 | 1 | |
| 18 | 663-15752-00 | .ROLLER, WIRE .RODILLO DE CUERDA | | | 1 | 1 | |
| 19 | 663-15753-00 | .BUSH .BUJE | | | 1 | 1 | |
| 20 | 61U-15758-00 | .GUIDE, ROPE .GUIA DE CUERDA | | | 1 | 1 | |
| 21 | 97305-06012 | .BOLT .PERNO | | | 1 | 1 | |
| 22 | 97305-06025 | .BOLT .PERNO | | | 1 | 1 | |
| 23 | 689-15755-01 | .HANDLE, STARTER .MANIJA DE ARRANQUE | | | 1 | 1 | |
| 24 | * | .WIRE (L:2300MM) .CABLE (L:2300MM) | | | 1 | 1 | |
| 25 | 6F5-15779-02 | .COVER .CUBIERTA | | | 1 | 1 | |

* CUT FROM 50M ROLLS, PART NO. 90890-44374, CUTTING LENGTH 2.3M

* CORTE DE UN RODILLO DE 50M , PARTS NUMERO 90890-44374, LARGO DEL CORTE 2.3M

FIG. 13 STARTER

ARRANQUE



| REF. NO. | PART NO. CODIGO NO. | DESCRIPTION DESCRIPTION | ET | E | WH | MH | REMARKS OBSERVACION |
|----------|---------------------|--|----|---|----|----|---------------------|
| 26 | 90119-08M26 | BOLT, WITH WASHER TORNILLO CON ARANDELA | | | 3 | 3 | |
| 27 | 90387-08M05 | COLLAR CASQUILLO CON VALONA | | | 3 | 3 | |
| 28 | 90385-12M04 | BUSH BUJE | | | 6 | 6 | |
| 29 | 697-15787-00-94 | ADAPTOR ADAPTADOR | | | 1 | 1 | |
| 30 | 90119-06M95 | BOLT, WITH WASHER TORNILLO CON ARANDELA | | | 2 | 2 | |
| 31 | 624-42542-00 | PIPE TUBO | | | 2 | 2 | |
| 32 | 6A0-82317-00 | DAMPER, IGNITION COIL AMORTIGUADOR BOBINA ENCENDIDO | | | 2 | 2 | |
| 33 | 692-15758-01-94 | GUIDE, ROPE GUIA DE CUERDA | | | 1 | 1 | |
| 34 | 697-15762-00 | SEAL, RUBBER 2 SELLO DE GOMA 2 | | | 1 | 1 | |
| 35 | 97095-06020 | BOLT PERNO | | | 2 | 2 | |
| 36 | 92995-06100 | WASHER, SPRING ARANDELA | | | 2 | 2 | |
| 37 | 92995-06600 | WASHER ARANDELA | | | 2 | 2 | |
| 38 | 95380-06600 | NUT, HEXAGON TUERCA | | | 2 | 2 | |
| 39 | 61U-15772-00 | STAY 2 SOPORTE 2 | | | 1 | 1 | |
| 40 | 90119-06M95 | BOLT, WITH WASHER TORNILLO CON ARANDELA | | | 2 | 2 | |
| 41 | 624-42542-00 | PIPE TUBO | | | 2 | 2 | |
| 42 | 6A0-82317-00 | DAMPER, IGNITION COIL AMORTIGUADOR BOBINA ENCENDIDO | | | 2 | 2 | |
| 43 | 97095-06020 | BOLT PERNO | | | 2 | 2 | |
| 44 | 92995-06100 | WASHER, SPRING ARANDELA | | | 2 | 2 | |
| 45 | 95380-06600 | NUT, HEXAGON TUERCA | | | 2 | 2 | |
| 46 | 697-15789-00 | DAMPER AMORTIGUADOR | | | 1 | 1 | |
| 47 | 61U-15774-00-94 | STAY 4 SOPORTE 4 | | | 1 | 1 | |
| 48 | 61U-15723-01 | PULLEY, STARTER POLEA DE ARRANQUE | | | 1 | 1 | |
| 49 | 97013-08016 | BOLT PERNO | | | 3 | 3 | |
| 50 | 92903-08100 | WASHER, SPRING ARANDELA | | | 3 | 3 | |
| 51 | 61U-15770-00 | CABLE COMP., STARTER STOP CABLECOMPL DE SEGURO ARRANQUE | | | 1 | 1 | |
| 52 | 61U-15771-00 | STAY 1 SOPORTE 1 | | | 1 | 1 | |

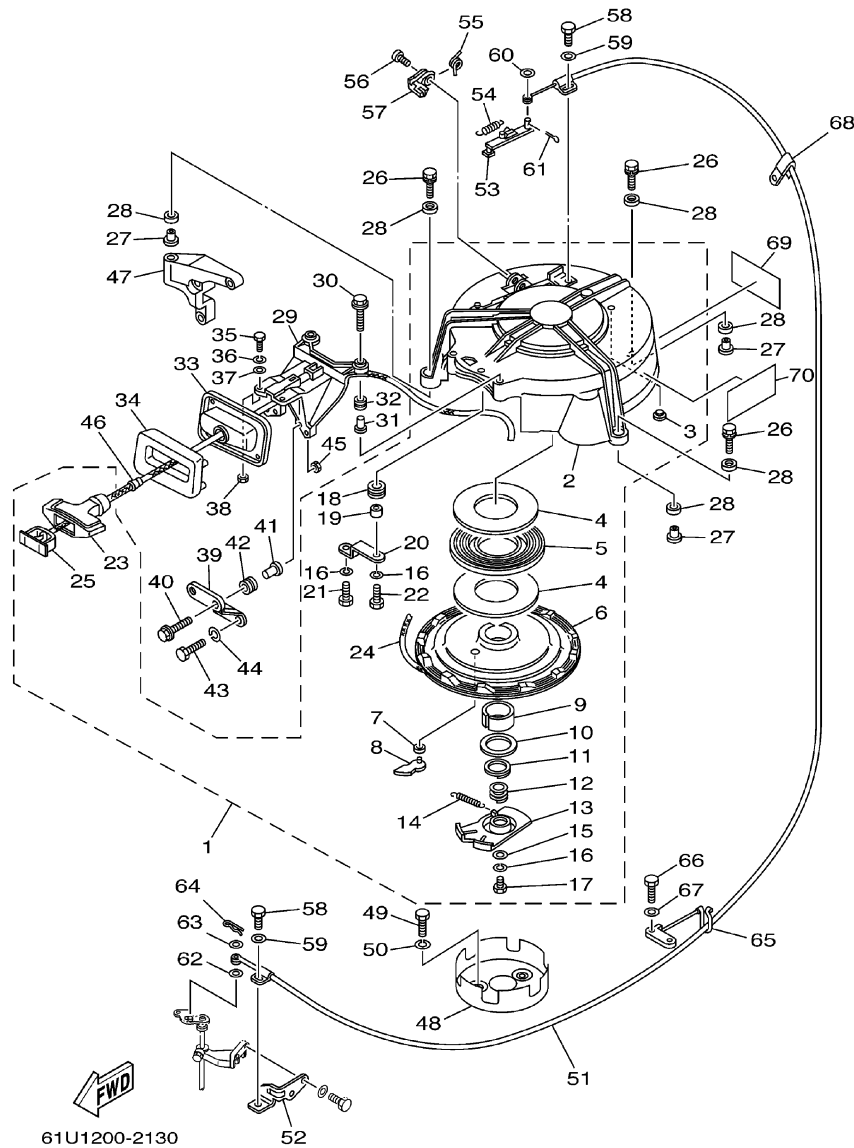


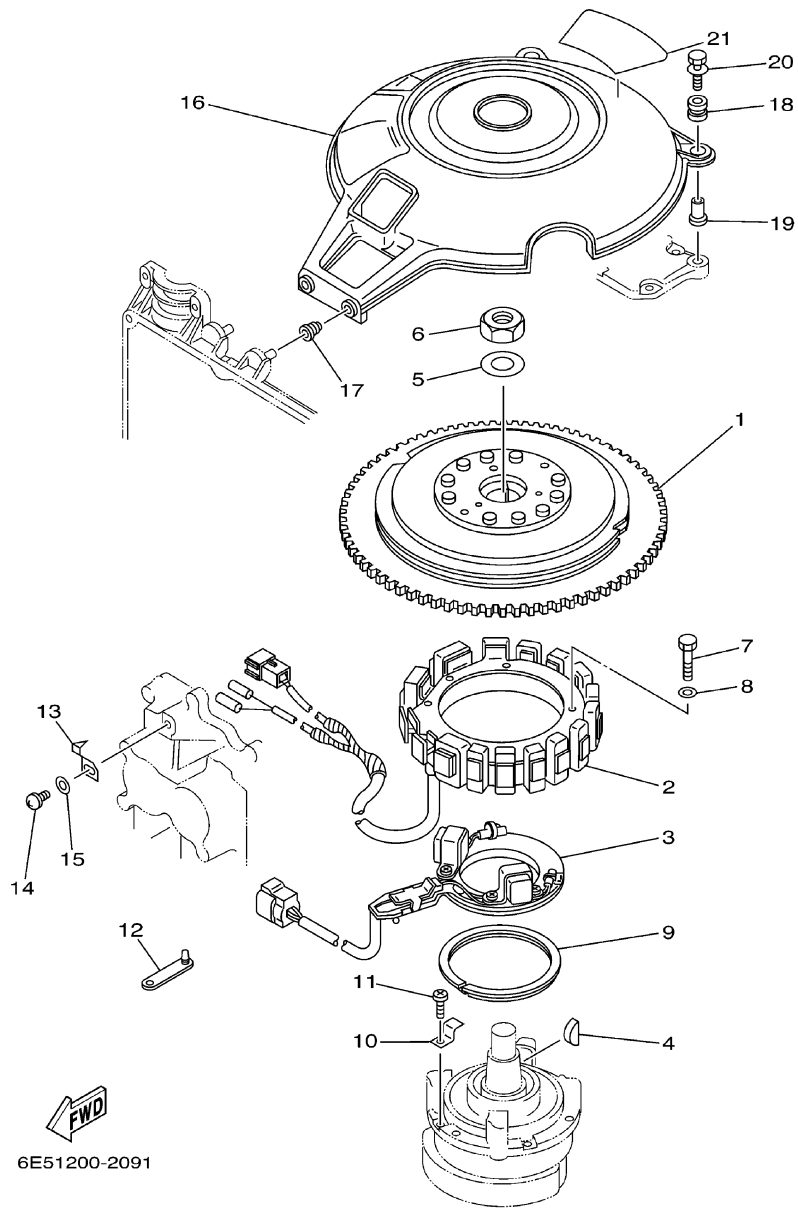
FIG. 13 STARTER

ARRANQUE

| REF. NO. | PART NO. CODIGO NO. | DESCRIPTION DESCRIPTION | ET | E | WH | MH | REMARKS OBSERVACION |
|----------|---------------------|--|----|---|----|----|---------------------|
| 53 | 663-15735-01 | GUIDE, CAM GUIA DE LEVA | | | 1 | 1 | |
| 54 | 90506-08M23 | SPRING, TENSION RESORTE DE TENSION | | | 1 | 1 | |
| 55 | 90508-12015 | SPRING, TORSION RESORTE DE TORSION | | | 1 | 1 | |
| 56 | 90149-05095 | SCREW TORNILLO DE REGLAJE | | | 1 | 1 | |
| 57 | 663-15794-00 | STOPPER TOPE | | | 1 | 1 | |
| 58 | 97095-06010 | BOLT PERNO | | | 2 | 2 | |
| 59 | 92995-06600 | WASHER ARANDELA | | | 2 | 2 | |
| 60 | 92990-06200 | WASHER, PLAIN ARANDELA | | | 1 | 1 | |
| 61 | 91490-16012 | PIN, COTTER PASADOR DE CHAVETA | | | 1 | 1 | |
| 62 | 90202-06009 | WASHER, PLATE ARANDELA DE PLANA | | | 1 | 1 | |
| 63 | 92990-06200 | WASHER, PLAIN ARANDELA | | | 1 | 1 | |
| 64 | 90468-18008 | CLIP PRESILLA | | | 1 | 1 | |
| 65 | 6K7-82588-00 | PLATE PLACA | | | 1 | 1 | |
| 66 | 97095-06020 | BOLT PERNO | | | 1 | 1 | |
| 67 | 92995-06600 | WASHER ARANDELA | | | 1 | 1 | |
| 68 | 90465-06M90 | CLAMP BRIDA | | | 1 | 1 | |
| 69 | 61U-2415A-00 | LABEL, CAUTION ETIQUETA DE PRECAUCION | | | 1 | 1 | |
| 70 | 61U-14488-00 | LABEL, CAUTION ETIQUETA PRECAUCION | | | 1 | 1 | |

FIG. 14 GENERATOR

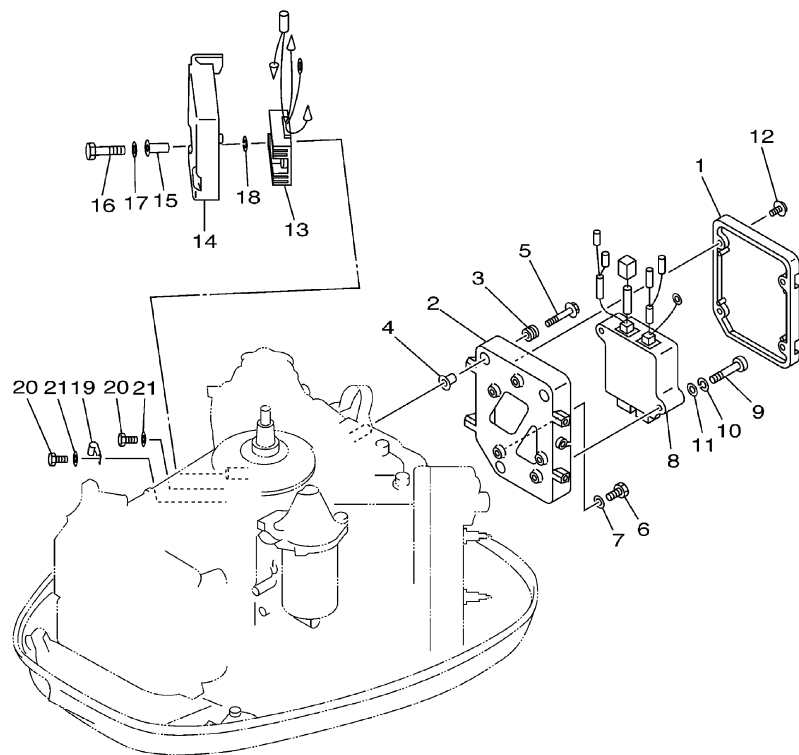
GENERADOR



| REF. NO. | PART NO. CODIGO NO. | DESCRIPTION DESCRIPTION | ET | E | WH | MH | REMARKS OBSERVACION |
|----------|---------------------|--|----|---|----|----|---------------------|
| 1 | 6E5-85550-00 | ROTOR ASSY ROTOR COMPLETO | 1 | 1 | 1 | 1 | |
| 2 | 6E5-85510-01 | STATOR ASSY ESTATOR COMPLET | 1 | 1 | 1 | 1 | |
| 3 | 6E5-85580-00 | COIL, PULSER BOBINA DE PULSACION | 1 | 1 | 1 | 1 | |
| 4 | 90280-05015 | KEY, WOODRUFF CUNA WOODRUFF | 1 | 1 | 1 | 1 | |
| 5 | 90201-21M18 | WASHER, PLATE ARANDELA PLANA | 1 | 1 | 1 | 1 | |
| 6 | 90170-20137 | NUT TUERCA | 1 | 1 | 1 | 1 | |
| 7 | 97013-06060 | BOLT PERNO | 3 | 3 | 3 | 3 | |
| 8 | 92903-06600 | WASHER, PLATE ARANDELA | 3 | 3 | 3 | 3 | |
| 9 | 688-41611-00 | RETAINER, MAGNETO BASE RETENEDOR BASE MAGNETO | 1 | 1 | 1 | 1 | |
| 10 | 688-41612-00 | RETAINER, MAGNETO BASE RETENEDOR BASE MAGNETO | 4 | 4 | 4 | 4 | |
| 11 | 97880-06018 | SCREW, PAN HEAD TORNILLO DE CABEZA CON PLANA | 4 | 4 | 4 | 4 | |
| 12 | 90464-12M00 | CLAMP BRIDA | 1 | 1 | 1 | 1 | |
| 13 | 6E5-81332-00 | PLATE, TIMING PLACA REGULADOR DE TIEMPO | 1 | 1 | 1 | 1 | |
| 14 | 97885-06010 | SCREW, PAN HEAD TORNILLO DE CABEZA CON PLANA | 1 | 1 | 1 | 1 | |
| 15 | 92995-06600 | WASHER ARANDELA | 1 | 1 | 1 | 1 | |
| 16 | 6E5-81337-01 | COVER, FLYWHEEL CUBIERTA DE VOLANTE | 1 | 1 | | | |
| 17 | 6G5-82317-00 | DAMPER, IGNITION COIL AMORTIGUADOR BOBINA ENCENDIDO | 2 | 2 | | | |
| 18 | 6A0-82317-00 | DAMPER, IGNITION COIL AMORTIGUADOR BOBINA ENCENDIDO | 2 | 2 | | | |
| 19 | 624-42542-00 | PIPE TUBO | 2 | 2 | | | |
| 20 | 90119-06M65 | BOLT, WITH WASHER TORNILLO CON ARANDELA | 2 | 2 | | | |
| 21 | 6E5-14488-00 | LABEL, CAUTION ETIQUETA PRECAUCION | 1 | 1 | | | |

FIG. 15 ELECTRICAL 1

EQUIPO ELECTRICO 1



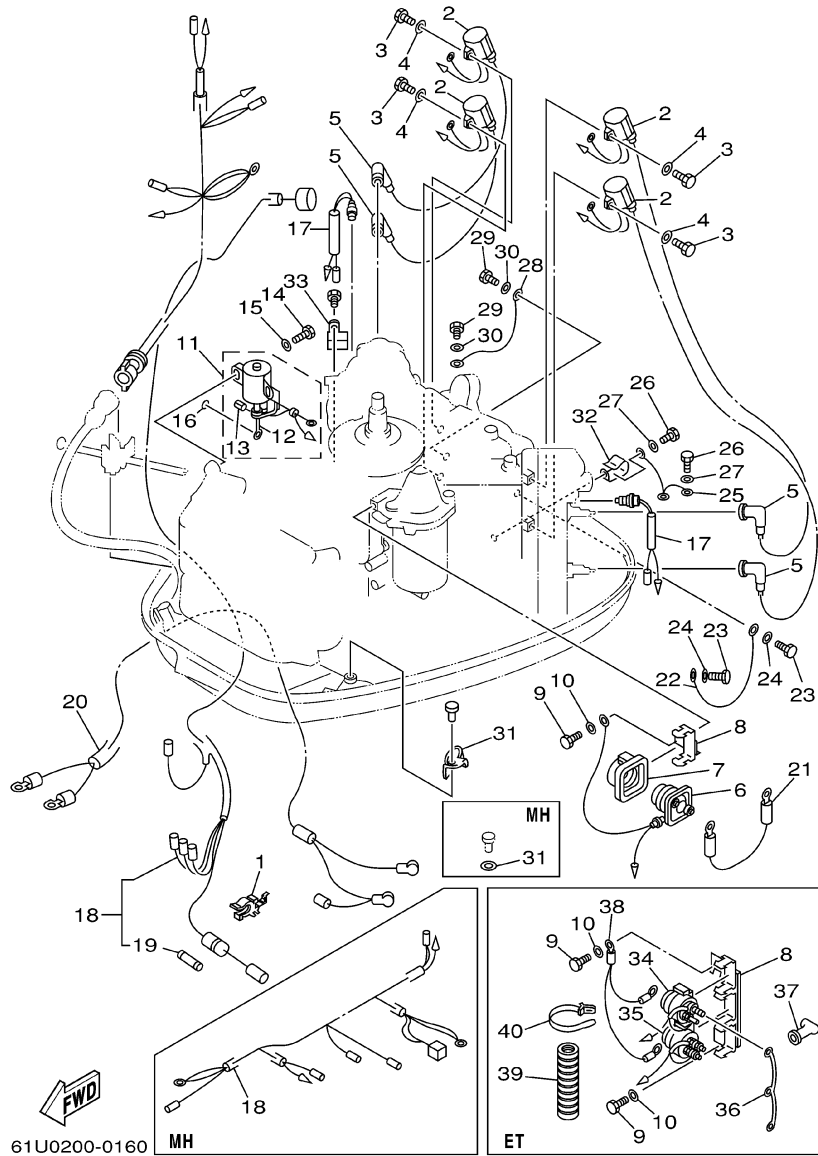
| REF. NO. | PART NO. CODIGO NO. | DESCRIPTION DESCRIPTION | ET | E | WH | MH | REMARKS OBSERVACION |
|----------|---------------------|---|----|---|----|----|---------------------|
| 1 | 6N7-85537-00 | COVER CUBIERTA | 1 | 1 | 1 | 1 | |
| 2 | 6N7-85542-01-1S | BRACKET SOPORTE | 1 | 1 | 1 | 1 | |
| 3 | 6A0-82317-00 | DAMPER, IGNITION COIL AMORTIGUADOR BOBINA ENCENDIDO | 3 | 3 | 3 | 3 | |
| 4 | 624-42542-00 | PIPE TUBO | 3 | 3 | 3 | 3 | |
| 5 | 90119-06M59 | BOLT, WITH WASHER TORNILLO CON ARANDELA | 3 | 3 | 3 | 3 | |
| 6 | 97095-06012 | BOLT PERNO | 1 | 1 | 1 | 1 | |
| 7 | 92995-06600 | WASHER ARANDELA | 1 | 1 | 1 | 1 | |
| 8 | 6E5-85540-00 | C.D.I. UNIT ASSY UNIDAD C.D.I. COMPLETA | 1 | 1 | 1 | 1 | |
| 9 | 97880-06040 | SCREW, PAN HEAD TORNILLO DE CABEZA CON PLANA | 2 | 2 | 2 | 2 | |
| 10 | 92990-06100 | WASHER, SPRING ARANDELA | 2 | 2 | 2 | 2 | |
| 11 | 92990-06600 | WASHER, PLATE ARANDELA | 2 | 2 | 2 | 2 | |
| 12 | 90159-06M11 | SCREW, WITH WASHER TORNILLO CON VALONA | 4 | 4 | 4 | 4 | |
| 13 | 6H0-81960-00 | RECTIFIER & REGULATOR ASSY RECTIFICADOR Y REGULADOR | 1 | 1 | 1 | 1 | |
| 14 | 6E5-81961-00 | COVER CUBIERTA | 1 | 1 | 1 | 1 | |
| 15 | 90387-06M77 | COLLAR CASQUILLO CON VALONA | 2 | 2 | 2 | 2 | |
| 16 | 97013-06045 | BOLT PERNO | 2 | 2 | 2 | 2 | |
| 17 | 92903-06600 | WASHER, PLATE ARANDELA | 2 | 2 | 2 | 2 | |
| 18 | 90201-06M05 | WASHER, PLATE ARANDELA PLANA | 2 | 2 | 2 | 2 | |
| 19 | 90465-06M86 | CLAMP BRIDA | 1 | 1 | 1 | 1 | |
| 20 | 97095-06012 | BOLT PERNO | 2 | 2 | 2 | 2 | |
| 21 | 92995-06600 | WASHER ARANDELA | 2 | 2 | 2 | 2 | |



61U0200-0151

FIG. 16 ELECTRICAL 2

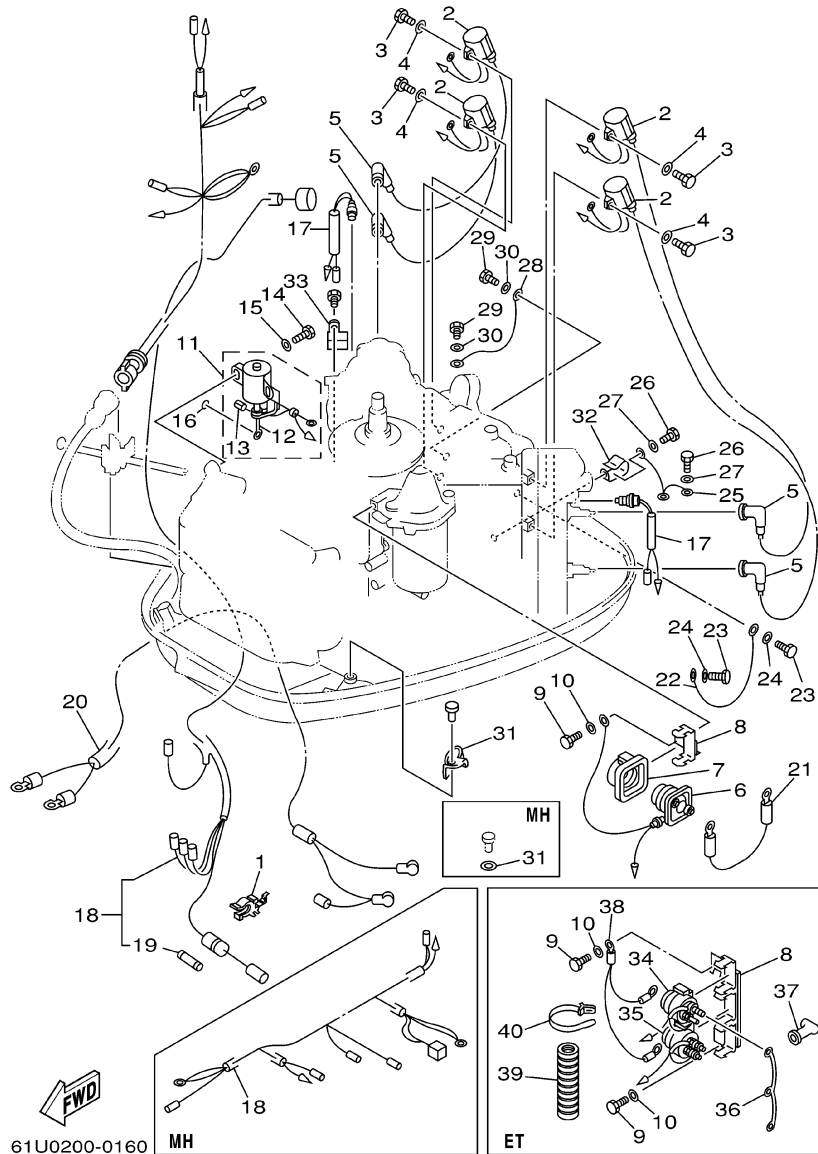
EQUIPO ELECTRICO 2



| REF. NO. | PART NO. CODIGO NO. | DESCRIPTION DESCRIPTION | ET | E | WH | MH | REMARKS OBSERVACION |
|----------|---------------------|---|----|---|----|----|---------------------|
| 1 | 6G5-82152-00 | HOLDER, FUSE PORTA-FUSIBLES | 1 | 1 | 1 | | |
| 2 | 6R3-85570-01 | IGNITION COIL ASSY BOBINA DE IGNICION COMPLETO | 4 | 4 | 4 | 4 | |
| 3 | 97095-06020 | BOLT PERNO | 4 | 4 | 4 | 4 | |
| 4 | 92995-06600 | WASHER ARANDELA | 4 | 4 | 4 | 4 | |
| 5 | 663-82370-01 | PLUG CAP ASSY TAPON DE BUJIA COMPLT | 4 | 4 | 4 | 4 | |
| | 6G1-82370-21 | PLUG CAP ASSY TAPON DE BUJIA COMPLT | 4 | 4 | | | FOR CARIB |
| 6 | 61A-81941-00 | STARTER RELAY ASSY RELE DE ARRANQUE | 1 | 1 | 1 | | |
| 7 | 689-81952-10 | HOLDER, RELAY SOSTEN DE RELE | 1 | 1 | 1 | | |
| 8 | 6E5-81948-10 | BRACKET SOPORTE | | | 1 | 1 | |
| | 6E5-81948-22 | BRACKET SOPORTE | 1 | | | | |
| 9 | 97095-06016 | BOLT PERNO | | 1 | 1 | | |
| | 97095-06016 | BOLT PERNO | 2 | | | | |
| 10 | 92995-06600 | WASHER ARANDELA | | 1 | 1 | | |
| | 92995-06600 | WASHER ARANDELA | 2 | | | | |
| 11 | 6E5-86110-02 | SOLENOID SOLENOIDE | 1 | 1 | | | |
| 12 | 6E5-86116-01 | WIRE, PULL .ALAMBRE-JALADOR | 1 | 1 | | | |
| 13 | 91609-30010 | .PIN, SPRING .PASADOR DE RESORTE | 1 | 1 | | | |
| 14 | 97095-06016 | BOLT PERNO | 2 | 2 | | | |
| 15 | 92995-06600 | WASHER ARANDELA | 2 | 2 | | | |
| 16 | 93210-03261 | O-RING ANILLO O | 1 | 1 | | | |
| 17 | 688-82560-10 | THERMO SWITCH ASSY INTER. DE TERMO | 2 | 2 | 2 | 2 | |
| 18 | 6E5-82590-04 | WIRE HARNESS ASSY CONJUNTO DE CABLES | 1 | 1 | 1 | | |
| | 61U-82590-M1 | WIRE HARNESS ASSY CONJUNTO DE CABLES | | | | 1 | |
| 19 | 663-82151-00 | .FUSE (12V-20A) .FUSIBLE | 1 | 1 | 1 | | |
| 20 | 61U-82105-01 | WIRE HARNESS ARNES DE CABLES | 1 | 1 | 1 | | |
| 21 | 6E5-82117-01 | WIRE, LEAD CABLE CONDUCTOR | 1 | 1 | 1 | | |
| 22 | 6R3-82519-00 | WIRE, EARTH LEAD CABLE CONDUCTOR A TIERRA | 1 | 1 | 1 | 1 | |

FIG. 16 ELECTRICAL 2

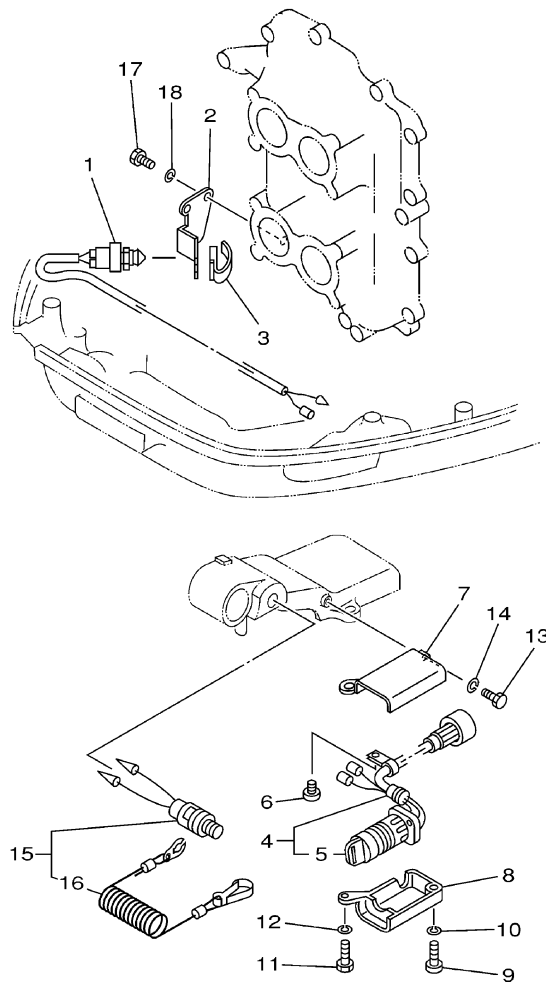
EQUIPO ELECTRICO 2



| REF. NO. | PART NO. CODIGO NO. | DESCRIPTION DESCRIPTION | ET | E | WH | MH | REMARKS OBSERVACION |
|----------|---------------------|--|----|---|----|----|---------------------|
| 23 | 97095-06012 | BOLT PERNO | 2 | 2 | 2 | 2 | |
| 24 | 92995-06600 | WASHER ARANDELA | 2 | 2 | 2 | 2 | |
| 25 | 6E5-82531-10 | WIRE, LEAD CABLE CONDUCTOR | 1 | 1 | 1 | 1 | |
| 26 | 97095-06012 | BOLT PERNO | 2 | 2 | 2 | 2 | |
| 27 | 92995-06600 | WASHER ARANDELA | 2 | 2 | 2 | 2 | |
| 28 | 662-82519-00 | WIRE, EARTH LEAD CABLE CONDUCTOR A TIERRA | 1 | 1 | 1 | 1 | |
| 29 | 97095-06012 | BOLT PERNO | 2 | 2 | 2 | 2 | |
| 30 | 92995-06600 | WASHER ARANDELA | 2 | 2 | 2 | 2 | |
| 31 | 90465-12M25 | CLAMP BRIDA | 1 | 1 | 1 | | |
| | 92995-06200 | WASHER ARANDELA | | | | 1 | |
| 32 | 90465-05M87 | CLAMP BRIDA | 1 | 1 | 1 | 1 | |
| 33 | 90465-08M89 | CLAMP BRIDA | 1 | 1 | 1 | 1 | |
| 34 | 6E5-81950-00 | RELAY ASSY RELE COMPLETO | 1 | | | | |
| 35 | 6E5-8195A-00 | RELAY ASSY RELE COMPLETO | 1 | | | | |
| 36 | 6G5-87149-10 | CONNECTOR CONECTOR | 1 | | | | |
| 37 | 6G5-82119-00 | COVER, LEAD WIRE CUBIERTA DE CABLE CONDUCTOR | 2 | | | | |
| 38 | 6E5-82116-00 | WIRE, MINUS LEAD CABLE CONDUCTOR NEGATIVO | 1 | | | | |
| 39 | 6N7-83557-00 | TUBE ENCHUFE DE ACEITE | 1 | | | | I.DIA.: 22MM |
| 40 | 90465-13M18 | CLAMP BRIDA | 1 | | | | |

FIG. 17 ELECTRICAL 3

EQUIPO ELECTRICO 3



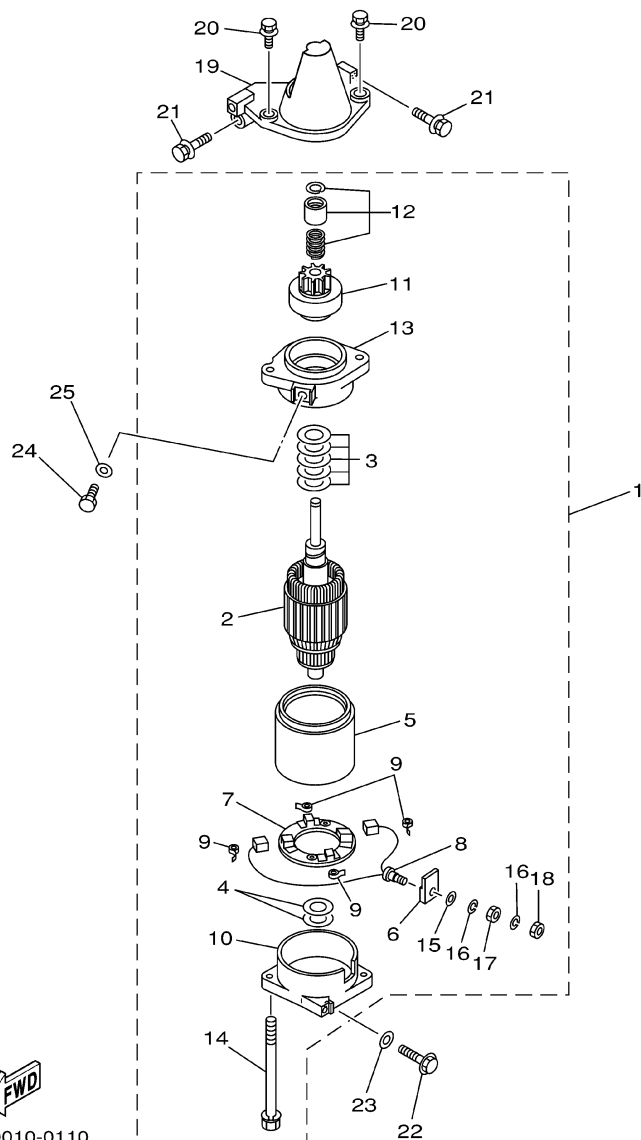
| REF. NO. | PART NO. CODIGO NO. | DESCRIPTION DESCRIPTION | ET | E | WH | MH | REMARKS OBSERVACION |
|----------|---------------------|--|----|---|----|----|---------------------|
| 1 | 688-82540-11 | NEUTRAL SWITCH ASSY INTERRUPTOR NEUTRAL COMPL | | | 1 | | |
| 2 | 6E5-82554-00 | STAY, NEUTRAL SWITCH SOPORTE INTERRUPTOR DE NEUTRAL | | | 1 | | |
| 3 | 663-82555-01 | DAMPER, MAIN SWITCH 1 AMORT.DE INTER.PPAL.1 | | | 1 | | |
| 4 | 63D-82510-01 | MAIN SWITCH ASSY CONJUNTO DE LLAVE IGNICION | | | 1 | | |
| 5 | 676-82577-00 | .CAP, KEY .TAPA | | | 1 | | |
| 6 | 97885-06012 | SCREW, PAN HEAD TORNILLO DE CABEZA CON PLANA | | | 1 | | |
| 7 | 697-8252E-01-4D | COVER, MAIN SWITCH CUBIELA INTERRUPTOR PRINC.1 | | | 1 | | |
| 8 | 697-8252F-01-4D | COVER, MAIN SWITCH CUBIELA INTERRUPTOR PRINC.2 | | | 1 | | |
| 9 | 97880-06025 | SCREW, PAN HEAD TORNILLO DE CABEZA CON PLANA | | | 1 | | |
| 10 | 92990-06100 | WASHER, SPRING ARANDELA | | | 1 | | |
| 11 | 97013-06030 | BOLT PERNO | | | 1 | | |
| 12 | 92903-06100 | WASHER, SPRING ARANDELA | | | 1 | | |
| 13 | 97013-06020 | BOLT PERNO | | | 1 | | |
| 14 | 92903-06100 | WASHER, SPRING ARANDELA | | | 1 | | |
| 15 | 688-82575-01 | ENGINE STOP SWITCH ASSY INTERRUPTOR DE PARADA COMPL | | | 1 | | |
| 16 | 682-82556-00 | .STOPPER .RETEN | | | 1 | | |
| 17 | 97095-06016 | BOLT PERNO | | | 2 | | |
| 18 | 92995-06100 | WASHER, SPRING ARANDELA | | | 2 | | |



61U0200-1170

FIG. 18 STARTING MOTOR

MOTOR DE ARRANQUE

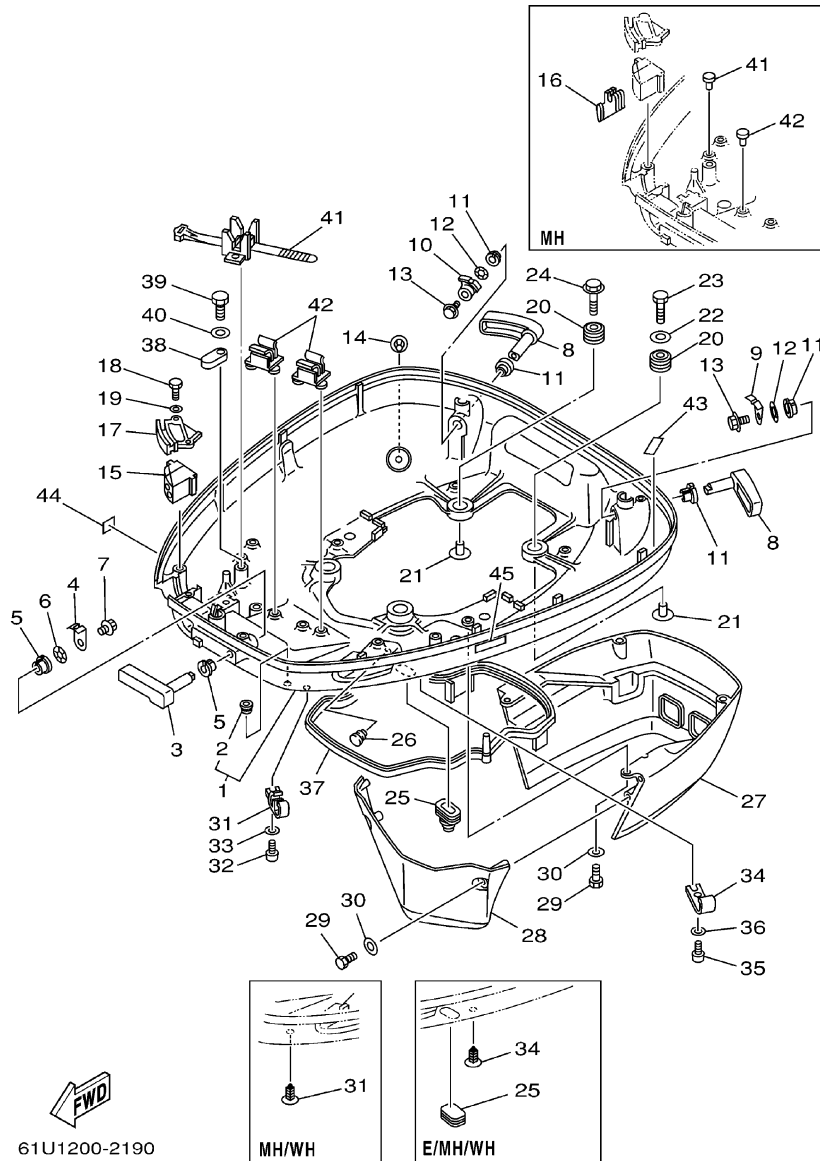


FWD
6E50010-0110

| REF. NO. | PART NO. CODIGO NO. | DESCRIPTION DESCRIPTION | ET | E | WH | MH | REMARKS OBSERVACION |
|----------|---------------------|---|----|---|----|----|---------------------|
| 1 | 6N7-81800-10 | STARTING MOTOR ASSY MOTOR DE ARRANQUE COMPLETO | 1 | 1 | 1 | | |
| 2 | 6N7-81850-10 | .ARMATURE ASSY .INDUCIDO COMPLETO | 1 | 1 | 1 | | |
| 3 | 61A-81809-00 | .WASHER KIT .JUEGO DE ARANDELA | 1 | 1 | 1 | | |
| 4 | 61A-81824-00 | .WASHER 2 .ARANDELA 2 | 2 | 2 | 2 | | |
| 5 | 6N7-81810-00 | .STATOR ASSY .ESTATOR COMPLETO | 1 | 1 | 1 | | |
| 6 | 6K7-8182G-10 | .BUSH, TERMINAL .BUJE DE TERMINAL | 1 | 1 | 1 | | |
| 7 | 6N7-81840-00 | .BRUSH HOLDER ASSY .SOSTEN DE ESCOBILLA COMPLETO | 1 | 1 | 1 | | |
| 8 | 6N7-81801-00 | .BRUSH SET .JUEGO DE ESCOBILLA | 1 | 1 | 1 | | |
| 9 | 6N7-81813-00 | .SPRING, BRUSH .RESORTE DE ESCOBILLA | 4 | 4 | 4 | | |
| 10 | 6N7-81820-10 | .REAR BRACKET ASSY .CUBIERTA TRASERA COMPL | 1 | 1 | 1 | | |
| 11 | 6N7-81807-00 | .GEAR ASSY, STARTING MOTOR .PINON CONJUNTO | 1 | 1 | 1 | | |
| 12 | 6N7-81857-00 | .RETAINER .SEGURO | 1 | 1 | 1 | | |
| 13 | 6N7-81830-00 | .FRONT BRACKET ASSY .SOPORTE DELANTERO COMPLETO | 1 | 1 | 1 | | |
| 14 | 6K7-81826-10 | BOLT .PERNO | 2 | 2 | 2 | | |
| 15 | 6E5-8182E-10 | .WASHER .RONDANA | 1 | 1 | 1 | | |
| 16 | 6E5-8182F-10 | .WASHER .RONDANA | 2 | 2 | 2 | | |
| 17 | 6E5-8182A-10 | .NUT .TUERCA | 1 | 1 | 1 | | |
| 18 | 6E5-8182K-10 | .NUT .TUERCA | 1 | 1 | 1 | | |
| 19 | 6E5-81822-02-98 | BRACKET, STARTING MOTOR SOPORTE DE MOTOR DE ARRANQUE | 1 | 1 | 1 | 1 | |
| 20 | 90119-08M76 | BOLT, WITH WASHER TORNILLO CON ARANDELA | 2 | 2 | 2 | | |
| 21 | 90119-08M77 | BOLT, WITH WASHER TORNILLO CON ARANDELA | 2 | 2 | 2 | 2 | |
| 22 | 90119-08M57 | BOLT, WITH WASHER TORNILLO CON ARANDELA | 1 | 1 | 1 | | |
| 23 | 92990-08600 | WASHER, PLATE ARANDELA | 1 | 1 | 1 | | |
| 24 | 97095-08016 | BOLT PERNO | 1 | 1 | 1 | | |
| 25 | 92995-08600 | WASHER ARANDELA | 1 | 1 | 1 | | |

FIG. 19 BOTTOM COWLING

CUBIERTA INFERIOR



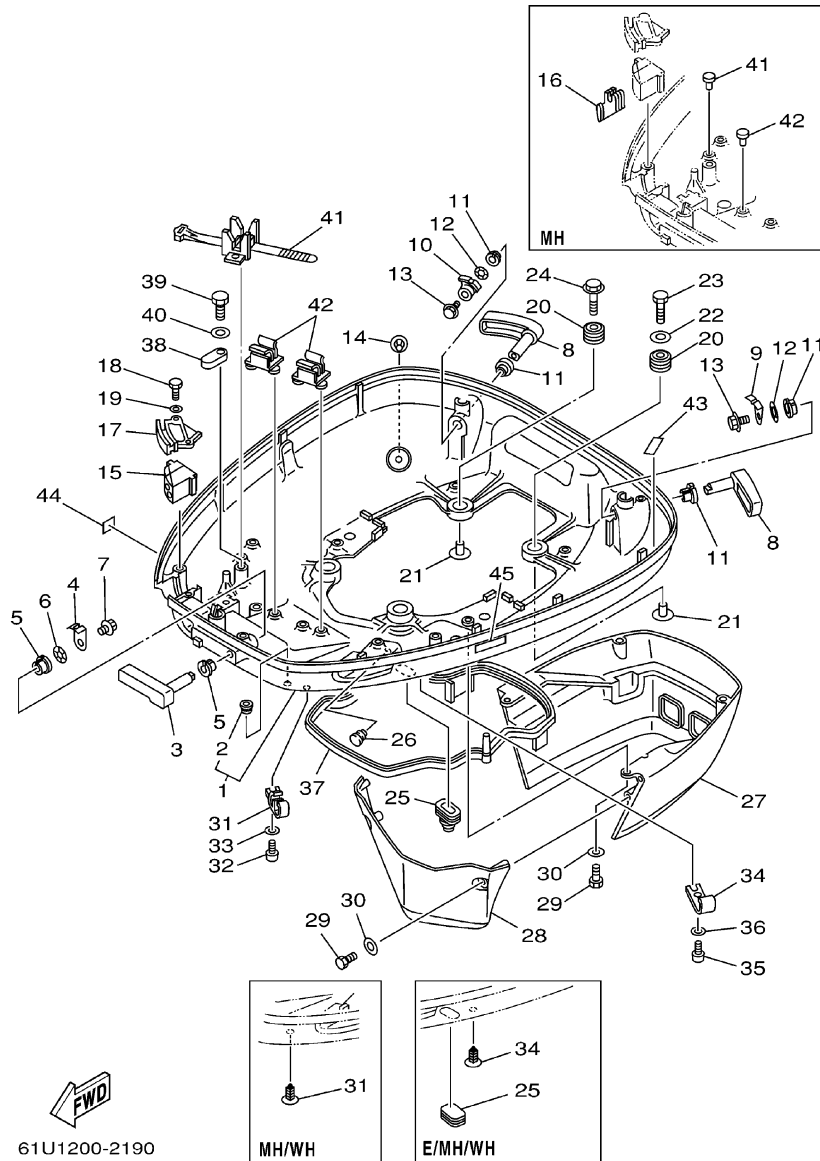
61U1200-2190

| REF. NO. | PART NO. CODIGO NO. | DESCRIPTION DESCRIPTION | ET | E | WH | MH | REMARKS OBSERVACION |
|----------|---------------------|---|----|---|----|----|---------------------|
| 1 | 6E5-W4271-05-4D | COWLING, BOTTOM CUBIERTA INFERIOR | 1 | 1 | | | |
| | 61U-W4271-02-4D | COWLING, BOTTOM CUBIERTA INFERIOR | | | 1 | 1 | |
| 2 | 6H4-42748-00 | .GROMMET .TAPON | 1 | 1 | 1 | 1 | |
| 3 | 688-42815-01-8D | LEVER, CLAMP PALANCA ABRAZADERA | 1 | 1 | 1 | 1 | |
| 4 | 688-42816-00 | LEVER, CLAMP PALANCA ABRAZADERA | 1 | 1 | 1 | 1 | |
| 5 | 90386-13M38 | BUSH BUJE | 2 | 2 | 2 | 2 | |
| 6 | 90206-13M10 | WASHER, WAVE ARANDELA ONDULADA | 1 | 1 | 1 | 1 | |
| 7 | 90119-06M09 | BOLT, WITH WASHER TORNILLO CON ARANDELA | 1 | 1 | 1 | 1 | |
| 8 | 6E5-42817-01-4D | LEVER, CLAMP PALANCA ABRAZADERA | 2 | 2 | 2 | 2 | |
| 9 | 6G5-42816-00 | LEVER, CLAMP PALANCA ABRAZADERA | 1 | 1 | 1 | 1 | |
| 10 | 6E5-42816-01 | LEVER, CLAMP PALANCA ABRAZADERA | 1 | 1 | 1 | 1 | |
| 11 | 90386-13M38 | BUSH BUJE | 4 | 4 | 4 | 4 | |
| 12 | 90206-13M10 | WASHER, WAVE ARANDELA ONDULADA | 2 | 2 | 2 | 2 | |
| 13 | 90119-06M09 | BOLT, WITH WASHER TORNILLO CON ARANDELA | 2 | 2 | 2 | 2 | |
| 14 | 6E5-44391-00 | NIPPLE, HOSE NIPLE MANGUERA | 1 | 1 | 1 | 1 | |
| 15 | 6E5-42725-00 | GROMMET TAPON | 1 | 1 | 1 | 1 | |
| 16 | 61U-42725-00 | GROMMET TAPON | | | | 1 | |
| 17 | 6E5-42738-01-5B | PLATE, FITTING PLACA DE AJUSTE | 1 | 1 | 1 | 1 | |
| 18 | 97095-06016 | BOLT PERNO | 2 | 2 | 2 | 2 | |
| 19 | 92995-06600 | WASHER ARANDELA | 2 | 2 | 2 | 2 | |
| 20 | 90480-22M15 | GROMMET TAPON | 4 | 4 | 4 | 4 | |
| 21 | 90387-08M37 | COLLAR CASQUILLO CON VALONA | 4 | 4 | 4 | 4 | |
| 22 | 90201-08M54 | WASHER, PLATE ARANDELA PLANA | 1 | 1 | 1 | 1 | |
| 23 | 97075-08035 | BOLT PERNO | 1 | 1 | 1 | 1 | |
| 24 | 90119-08M22 | BOLT, WITH WASHER TORNILLO CON ARANDELA | 3 | 3 | 3 | 3 | |
| 25 | 688-42726-10 | GROMMET TAPON | 1 | | | | |
| | 6H4-42726-00 | GROMMET TAPON | | 1 | 1 | 1 | |

E5

FIG. 19 BOTTOM COWLING

CUBIERTA INFERIOR

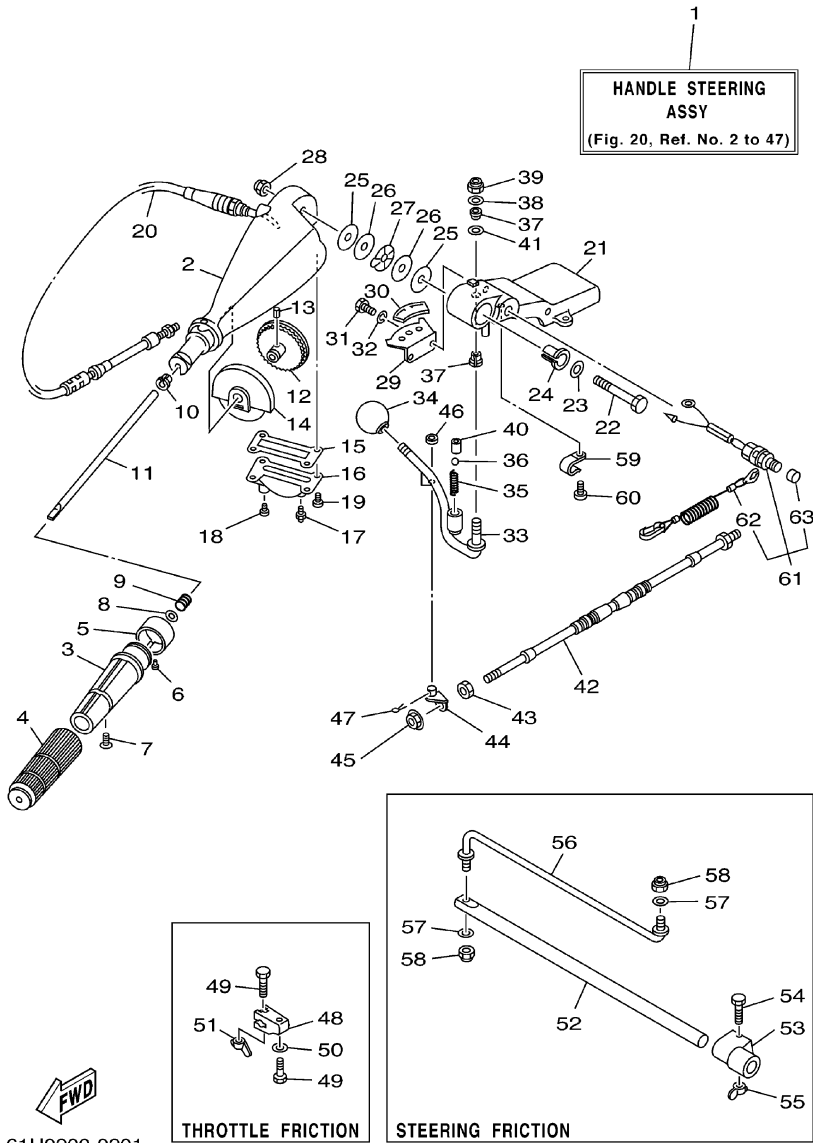


61U1200-2190

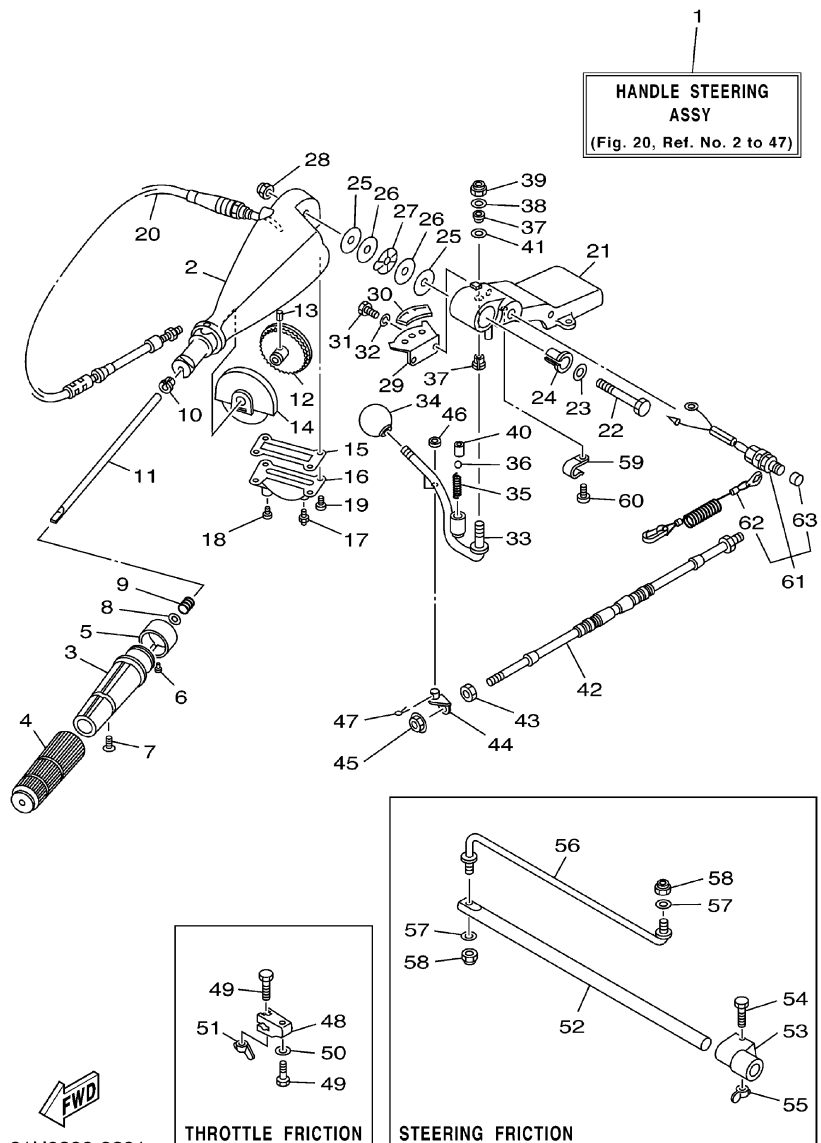
| REF. NO. | PART NO. CODIGO NO. | DESCRIPTION DESCRIPTION | ET | E | WH | MH | REMARKS OBSERVACION |
|----------|---------------------|---|----|---|----|----|---------------------|
| 26 | 90480-10M36 | GROMMET TAPON | 1 | 1 | 1 | 1 | |
| 27 | 6E5-42741-01-4D | APRON MANDIL | 1 | 1 | 1 | 1 | |
| 28 | 6E5-42771-01-4D | APRON MANDIL | 1 | 1 | 1 | 1 | |
| 29 | 97095-06020 | BOLT PERNO | 6 | 6 | 6 | 6 | |
| 30 | 92995-06600 | WASHER ARANDELA | 6 | 6 | 6 | 6 | |
| 31 | 6E5-24367-01 | CLAMP, FUEL PIPE 2 GRAMPA DE TUBO DE COMBUST.2 | 2 | 2 | | | |
| | 90338-05M03 | PLUG TAPON | | | 2 | 2 | |
| 32 | 90157-06M01 | SCREW, PAN HEAD TORNILLO CABEZA CONICA PLANA | 2 | 2 | | | |
| 33 | 92990-06600 | WASHER, PLATE ARANDELA | 2 | 2 | | | |
| 34 | 6E5-24367-10 | CLAMP, FUEL PIPE 2 GRAMPA DE TUBO DE COMBUST.2 | 1 | | | | |
| | 90338-05M03 | PLUG TAPON | | 1 | 1 | 1 | |
| 35 | 90157-06M01 | SCREW, PAN HEAD TORNILLO CABEZA CONICA PLANA | 1 | | | | |
| 36 | 92990-06600 | WASHER, PLATE ARANDELA | 1 | | | | |
| 37 | 6E5-42716-00 | RUBBER, SEAL 1 SELLO DE GOMA 1 | 1 | 1 | 1 | 1 | |
| 38 | 6E5-82588-00 | PLATE PLACA | 1 | 1 | 1 | 1 | |
| 39 | 97095-06020 | BOLT PERNO | 1 | 1 | 1 | 1 | |
| 40 | 92995-06600 | WASHER ARANDELA | 1 | 1 | 1 | 1 | |
| 41 | 688-82594-00 | CLAMP GRAMPA | 1 | 1 | 1 | | |
| | 703-82119-00 | COVER, LEAD WIRE CUBIERTA DE CABLE CONDUCTOR | | | | 2 | |
| 42 | 6E5-82594-00 | CLAMP GRAMPA | 2 | 2 | 2 | | |
| | 689-85547-00 | DAMPER AMORTIGUADOR | | | | 4 | |
| 43 | 6G5-42791-00 | MARK 1 MARCA 1 | 1 | 1 | 1 | 1 | |
| | 6G5-42791-10 | MARK 1 MARCA 1 | 1 | 1 | | | FOR CHINA, CARIB |
| 44 | 6A1-28176-00 | LABEL, CAUTION ETIQUETA DE PRECAUCION | 1 | 1 | | | FOR CARIB |
| 45 | 6E3-8257H-00 | PLATE, MARK PLACA DE MARCA | 1 | 1 | | | FOR CARIB |

FIG. 20 STEERING

DIRECCION



| REF. NO. | PART NO. CODIGO NO. | DESCRIPTION DESCRIPTION | ET | E | WH | MH | REMARKS OBSERVACION |
|----------|---------------------|--|----|---|----|----|---------------------|
| 1 | 6E5-W0084-12-4D | HANDLE STEERING ASSY CONJUNTO DE MANIJA | | | 1 | 1 | |
| 2 | 692-42111-12-4D | HANDLE, STEERING MANIJA DE DIRECCION | | | 1 | 1 | |
| 3 | 664-42119-00 | GRIP, STEERING HANDLE MANGO, MANIJA DE DIRRECCION | | | 1 | 1 | |
| 4 | 6F6-42177-A0 | RUBBER, HANDLE HULE DE MANIJA | | | 1 | 1 | |
| 5 | 6K5-42137-00 | INDICATOR, THROTTLE INDICADOR ACELERADOR | | | 1 | 1 | |
| 6 | 90269-02M09 | RIVET REMACHE | | | 1 | 1 | |
| 7 | 90149-05M13 | SCREW TORNILLO DE REGLAJE | | | 1 | 1 | |
| 8 | 92903-10600 | WASHER, PLATE ARANDELA | | | 1 | 1 | |
| 9 | 90501-23215 | SPRING, COMPRESSION RESORTE DE COMPRESION | | | 1 | 1 | |
| 10 | 90386-08032 | BUSH BUJE | | | 1 | 1 | |
| 11 | 692-42115-00 | SHAFT, STEERING HANDLE EJE MANIJA DE DIRECCION | | | 1 | 1 | |
| 12 | 663-42138-00 | LEVER, THROTTLE PLANCA DE ACELERACION | | | 1 | 1 | |
| 13 | 90254-03003 | PIN, SPRING PASADOR DE TIPO A RESORTE | | | 1 | 1 | |
| 14 | 692-42135-00 | HOUSING, THROTTLE LEVER CAJA PALANCA ACELERADOR | | | 1 | 1 | |
| 15 | 663-42133-01 | GASKET EMPAQUE | | | 1 | 1 | |
| 16 | 692-42134-03-94 | COVER, THROTTLE LEVER CUBIERTA PALANCA ACELERADOR | | | 1 | 1 | |
| 17 | 93700-06M03 | NIPPLE, GREASE NIPLE DE ENGRASAR | | | 1 | 1 | |
| 18 | 97885-06008 | SCREW, PAN HEAD TORNILLO DE CABEZA CON PLANA | | | 1 | 1 | |
| 19 | 97885-05012 | SCREW, PAN HEAD TORNILLO DE CABEZA CON PLANA | | | 4 | 4 | |
| 20 | 692-26301-03 | THROTTLE CABLE ASSY CABLE DE ACELERADOR COMPLETO | | | 1 | 1 | |
| 21 | 692-42121-01-4D | BRACKET SOPORTE | | | 1 | 1 | |
| 22 | 90101-12M06 | BOLT TORNILLO | | | 1 | 1 | |
| 23 | 92990-12200 | WASHER, PLAIN ARANDELA | | | 1 | 1 | |
| 24 | 90386-12089 | BUSH BUJE | | | 1 | 1 | |
| 25 | 90202-12092 | WASHER, PLATE ARANDELA DE PLANA | | | 2 | 2 | |
| 26 | 90201-12537 | WASHER, PLATE ARANDELA PLANA | | | 2 | 2 | |
| 27 | 90206-12054 | WASHER, WAVE ARANDELA ONDULADA | | | 1 | 1 | |

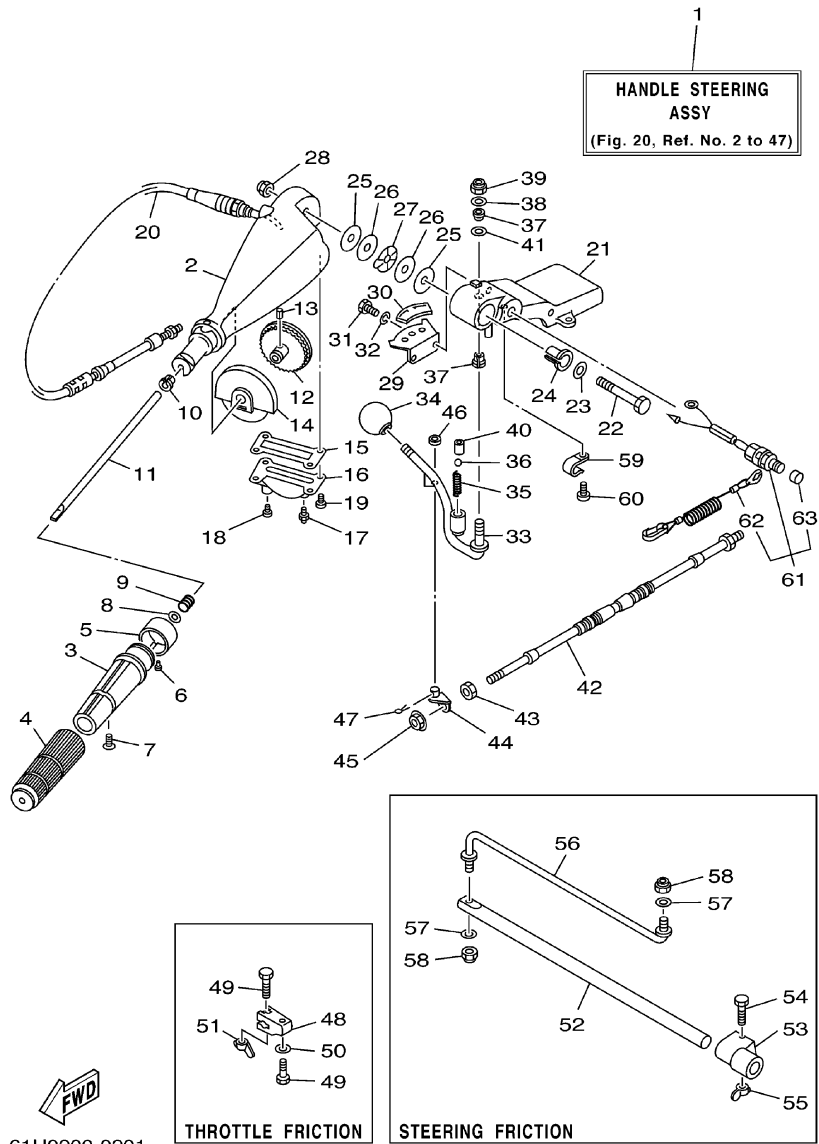


61U0200-0201

FIG. 20 STEERING

DIRECCION

| REF. NO. | PART NO. CODIGO NO. | DESCRIPTION DESCRIPTION | ET | E | WH | MH | REMARKS OBSERVACION |
|----------|---------------------|---|----|---|----|----|---------------------|
| 28 | 90185-12058 | NUT, SELF-LOCKING TUERCA AUTOBLOCANTE | | | 1 | 1 | |
| 29 | 697-44113-00 | CAM PLATE, HANDLE PLACA DE LA LEVA DEL MANGO | | | 1 | 1 | |
| 30 | 6K5-44191-00 | INDICATOR, SHIFT INDICADOR DE CAMBIOS | | | 1 | 1 | |
| 31 | 97013-06016 | BOLT PERNO | | | 2 | 2 | |
| 32 | 92903-06100 | WASHER, SPRING ARANDELA | | | 2 | 2 | |
| 33 | 692-44159-01 | HANDLE, GEAR SHIFT MANIJA DE CAMBIO DE MARCHAS | | | 1 | 1 | |
| 34 | 663-44173-00 | LEVER, SHIFT CONTROL PALANCA CONTROL CAMBIOS | | | 1 | 1 | |
| 35 | 90501-16M17 | SPRING, COMPRESSION RESORTE DE COMPRESION | | | 1 | 1 | |
| 36 | 93515-32M01 | BALL BOLA | | | 1 | 1 | |
| 37 | 90386-10009 | BUSH BUJE | | | 2 | 2 | |
| 38 | 90201-10120 | WASHER, PLATE ARANDELA PLANA | | | 1 | 1 | |
| 39 | 90185-10051 | NUT, SELF-LOCKING TUERCA AUTOBLOCANTE | | | 1 | 1 | |
| 40 | 90387-12M30 | COLLAR CASQUILLO CON VALONA | | | 1 | 1 | |
| 41 | 90201-12M34 | WASHER, PLATE ARANDELA PLANA | | | 1 | 1 | |
| 42 | 6E5-48310-01 | CABLE, REMOTE CONTROL CABLE CONTROL REMOTO | | | 1 | 1 | |
| 43 | 95380-05600 | NUT TUERCA | | | 1 | 1 | |
| 44 | 6E5-44124-00 | LINK, SHIFT ROD ESLABON | | | 1 | 1 | |
| 45 | 95780-05300 | NUT, NYLON TUERCA DE BRIDA | | | 1 | 1 | |
| 46 | 92990-06600 | WASHER, PLATE ARANDELA | | | 1 | 1 | |
| 47 | 91490-25012 | PIN, COTTER PASADOR DE CHAVETA | | | 1 | 1 | |
| 48 | 663-42126-01 | FRICTION, STEERING HANDLE GRIP FRICCION DE MANGO DIRECCION | | | 1 | 1 | |
| 49 | 90101-06M27 | BOLT TORNILLO | | | 2 | 2 | |
| 50 | 92990-06600 | WASHER, PLATE ARANDELA | | | 1 | 1 | |
| 51 | 90175-06003 | NUT, WING TUERCA MARIPOSA | | | 1 | 1 | |
| 52 | 6E5-42518-01 | SHAFT, FRICTION EJE FRICCION | | | 1 | 1 | |
| 53 | 663-42528-00 | PLATE, FRICTION PIEZA DE FRICCION | | | 1 | 1 | |
| 54 | 97080-06035 | BOLT PERNO | | | 1 | 1 | |

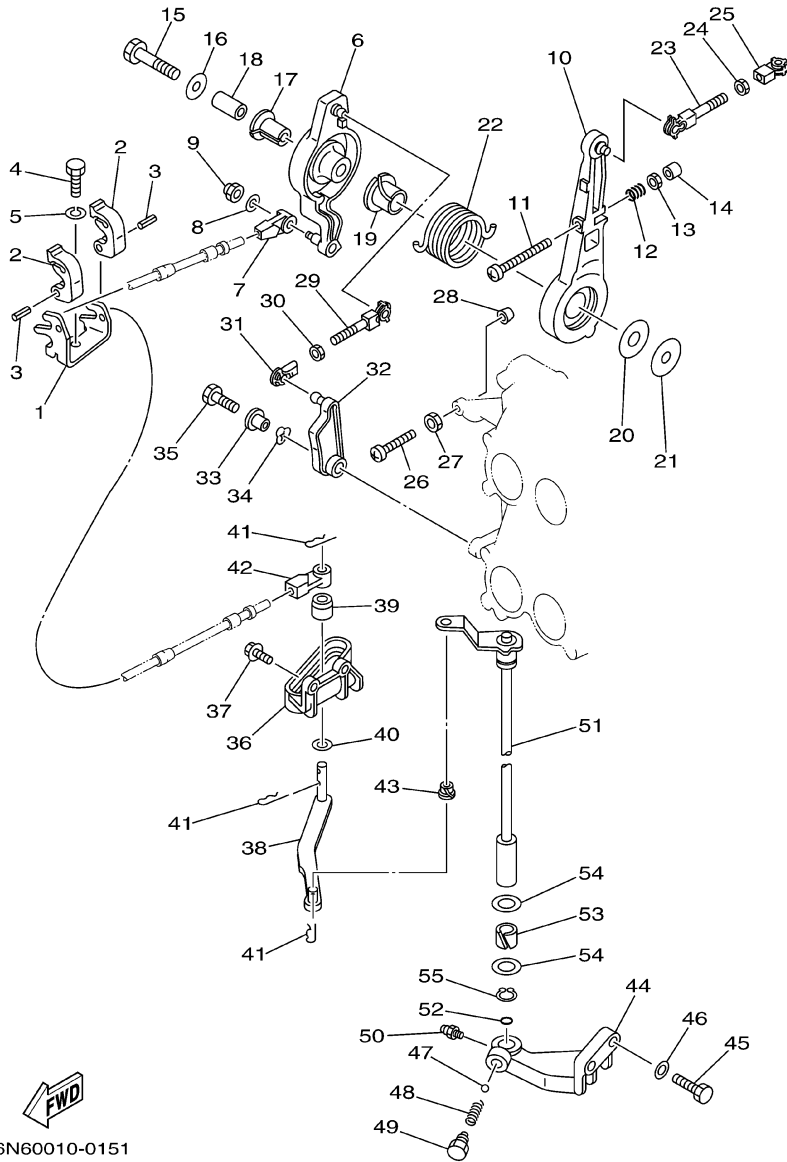


61U0200-0201

FIG. 20 STEERING

DIRECCION

| REF. NO. | PART NO. CODIGO NO. | DESCRIPTION DESCRIPTION | ET | E | WH | MH | REMARKS OBSERVACION |
|----------|---------------------|--|----|---|----|----|---------------------|
| 55 | 90175-06003 | NUT, WING TUERCA MARIPOSA | | | 1 | 1 | |
| 56 | 6E5-42515-00 | ROD, STEERING LINK VARILLA ESLABON DIRECCION | | | 1 | 1 | |
| 57 | 92995-08600 | WASHER ARANDELA | | | 2 | 2 | |
| 58 | 90185-08057 | NUT, SELF-LOCKING TUERCA AUTOBLOCANTE | | | 2 | 2 | |
| 59 | 90465-06M90 | CLAMP BRIDA | | | | 1 | |
| 60 | 97885-06012 | SCREW, PAN HEAD TORNILLO DE CABEZA CON PLANA | | | | 1 | |
| 61 | 697-82575-00 | ENGINE STOP SWITCH ASSY INTERRUPTOR DE PARADA COMPL | | | | 1 | |
| 62 | 682-82556-00 | .STOPPER .RETEN | | | | 1 | |
| 63 | 689-8257Y-00 | .CAP .CASQUILLO | | | | 1 | |

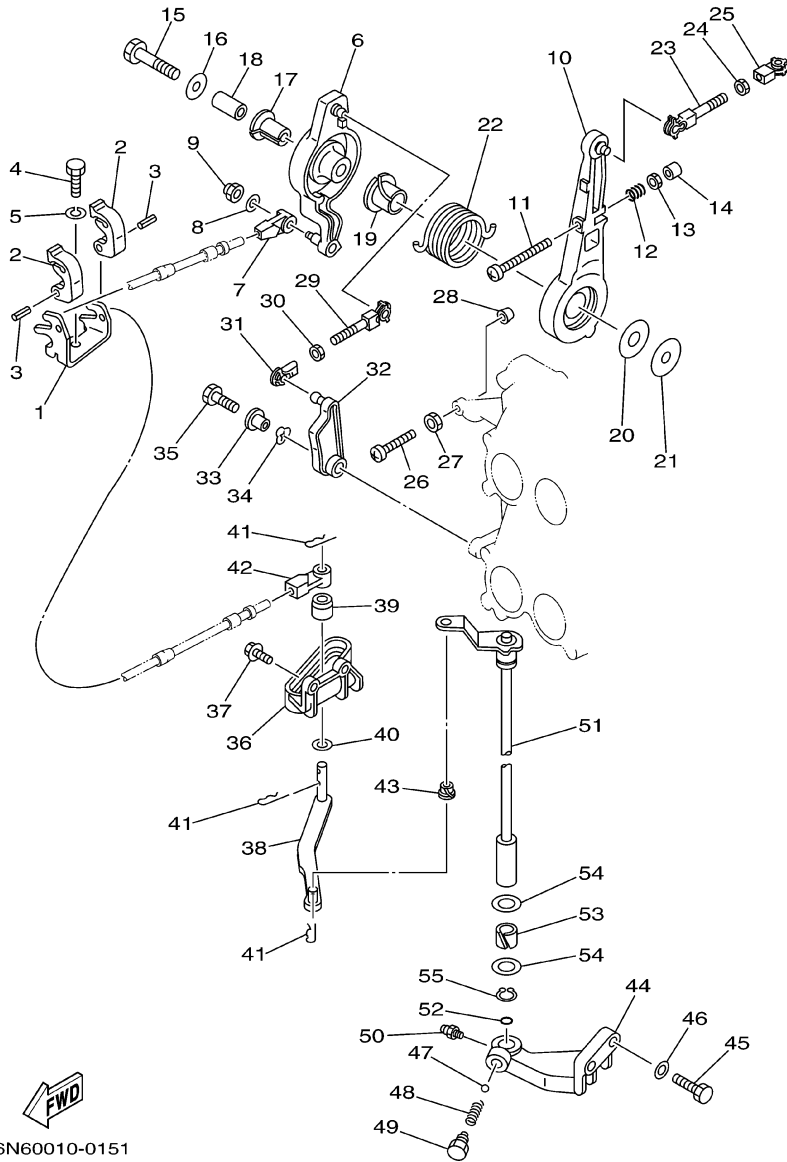


6N60010-0151

FIG. 21 CONTROL

CONTROL

| REF. NO. | PART NO. CODIGO NO. | DESCRIPTION DESCRIPTION | ET | E | WH | MH | REMARKS OBSERVACION |
|----------|---------------------|---|----|---|----|----|---------------------|
| 1 | 6E5-48531-00 | BRACKET, REMOTE CONTROL 1 SOPORTE DE CONTROL REMOTO | 1 | 1 | 1 | 1 | |
| 2 | 6E5-48538-00 | CLAMP, CABLE 1 GRAMPA DE CABLE | 2 | 2 | 2 | 2 | |
| 3 | 91690-30012 | PIN, SPRING PASADOR DE RESORTE | 2 | 2 | 2 | 2 | |
| 4 | 97095-08020 | BOLT PERNO | 1 | 1 | 1 | 1 | |
| 5 | 92995-08100 | WASHER ARANDELA | 1 | 1 | 1 | 1 | |
| 6 | 6E5-41632-02-1S | LEVER, MAGNETO CONTROL PALANCA DE CONTROL DE MAGNETO | 1 | 1 | 1 | 1 | |
| 7 | 6E5-48344-00 | CABLE END, REMOTE CONTROL BASE CONTROL | 1 | 1 | 1 | 1 | |
| 8 | 92990-06200 | WASHER, PLAIN ARANDELA | 1 | 1 | 1 | 1 | |
| 9 | 90185-06M07 | NUT, SELF-LOCKING TUERCA AUTOBLOCANTE | 1 | 1 | 1 | 1 | |
| 10 | 6E5-41631-01-1S | LEVER, MAGNETO CONTROL PALANCA DE CONTROL DE MAGNETO | 1 | 1 | 1 | 1 | |
| 11 | 90157-06013 | SCREW, PAN HEAD TORNILLO CABEZA CONICA PLANA | 1 | 1 | 1 | 1 | |
| 12 | 90501-16M12 | SPRING, COMPRESSION RESORTE DE COMPRESION | 1 | 1 | 1 | 1 | |
| 13 | 95303-06600 | NUT TUERCA | 1 | 1 | 1 | 1 | |
| 14 | 688-44194-00 | CAP TAPA | 1 | 1 | 1 | 1 | |
| 15 | 97013-08045 | BOLT PERNO | 1 | 1 | 1 | 1 | |
| 16 | 90201-08M23 | WASHER, PLATE ARANDELA PLANA | 1 | 1 | 1 | 1 | |
| 17 | 90386-12089 | BUSH BUJE | 1 | 1 | 1 | 1 | |
| 18 | 90387-08M16 | COLLAR CASQUILLO CON VALONA | 1 | 1 | 1 | 1 | |
| 19 | 90386-22M13 | BUSH BUJE | 1 | 1 | 1 | 1 | |
| 20 | 90202-12092 | WASHER, PLATE ARANDELA DE PLANA | 1 | 1 | 1 | 1 | |
| 21 | 90201-08M13 | WASHER, PLATE ARANDELA PLANA | 1 | 1 | 1 | 1 | |
| 22 | 90508-29M12 | SPRING, TORSION RESORTE DE TORSION | 1 | 1 | 1 | 1 | |
| 23 | 6E5-41636-01 | ROD, MAGNETO CONTROL VARILLA DE CONTROL MAGNETO | 1 | 1 | 1 | 1 | |
| 24 | 95380-05600 | NUT TUERCA | 1 | 1 | 1 | 1 | |
| 25 | 662-41237-01 | JOINT, LINK CONECTOR | 1 | 1 | 1 | 1 | |
| 26 | 90157-06013 | SCREW, PAN HEAD TORNILLO CABEZA CONICA PLANA | 1 | 1 | 1 | 1 | |
| 27 | 95303-06600 | NUT TUERCA | 1 | 1 | 1 | 1 | |



6N60010-0151

FIG. 21 CONTROL

CONTROL

| REF. NO. | PART NO. CODIGO NO. | DESCRIPTION DESCRIPTION | ET | E | WH | MH | REMARKS OBSERVACION |
|----------|---------------------|---|----|---|----|----|---------------------|
| 28 | 688-44194-00 | CAP TAPA | 1 | 1 | 1 | 1 | |
| 29 | 688-41636-00 | ROD, MAGNETO CONTROL VARILLA DE CONTROL MAGNETO | 1 | 1 | 1 | 1 | |
| 30 | 95380-05600 | NUT TUERCA | 1 | 1 | 1 | 1 | |
| 31 | 662-41237-01 | JOINT, LINK CONECTOR | 1 | 1 | 1 | 1 | |
| 32 | 6E5-41213-00 | CAM, ACCEL. LEVA ACELERADOR | 1 | 1 | 1 | 1 | |
| 33 | 90387-06M29 | COLLAR CASQUILLO CON VALONA | 1 | 1 | 1 | 1 | |
| 34 | 90206-10M04 | WASHER, WAVE ARANDELA ONDULADA | 1 | 1 | 1 | 1 | |
| 35 | 97095-06025 | BOLT PERNO | 1 | 1 | 1 | 1 | |
| 36 | 6E5-44117-00-1S | BRACKET SOPORTE | 1 | 1 | 1 | 1 | |
| 37 | 90119-06MA2 | BOLT, WITH WASHER TORNILLO CON ARANDELA | 2 | 2 | 2 | 2 | |
| 38 | 68F-44121-00 | LEVER, SHIFT ROD PALANCA VARILLA CAMBIOS | 1 | 1 | 1 | 1 | |
| 39 | 6E5-44122-00 | BUSHING, SHIFT ROD LEVER BUJE PALANCA VARILLA DE CAMBIO | 1 | 1 | 1 | 1 | |
| 40 | 90202-08M20 | WASHER, PLATE ARANDELA DE PLANA | 1 | 1 | 1 | 1 | |
| 41 | 90468-18008 | CLIP PRESILLA | 3 | 3 | 3 | 3 | |
| 42 | 6E5-48344-00 | CABLE END, REMOTE CONTROL BASE CONTROL | 1 | 1 | 1 | 1 | |
| 43 | 90386-06M12 | BUSH BUJE | 1 | 1 | 1 | 1 | |
| 44 | 6E5-44118-01-94 | BRACKET SOPORTE | 1 | 1 | 1 | 1 | |
| 45 | 97013-08030 | BOLT PERNO | 2 | 2 | 2 | 2 | |
| 46 | 92903-08600 | WASHER, PLATE ARANDELA | 2 | 2 | 2 | 2 | |
| 47 | 93501-04M02 | BALL BOLA | 1 | 1 | 1 | 1 | |
| 48 | 90501-12082 | SPRING, COMPRESSION RESORTE DE COMPRESION | 1 | 1 | 1 | 1 | |
| 49 | 648-42715-00 | BUSHING BUJE | 1 | 1 | 1 | 1 | |
| 50 | 93700-06M03 | NIPPLE, GREASE NIPLE DE ENGRASAR | 1 | 1 | 1 | 1 | |
| 51 | 6E5-44120-03 | HANDLE GEAR SHIFT ASSY MANIJA DE CAMBIO COMPL | 1 | 1 | | | L |
| | 61U-44120-01 | HANDLE GEAR SHIFT ASSY MANIJA DE CAMBIO COMPL | | | 1 | 1 | L |
| | 61U-44120-11 | HANDLE GEAR SHIFT ASSY MANIJA DE CAMBIO COMPL | | | 1 | 1 | Y |
| | 6E5-44120-23 | HANDLE GEAR SHIFT ASSY MANIJA DE CAMBIO COMPL | 1 | 1 | | | X |



6N60010-0151

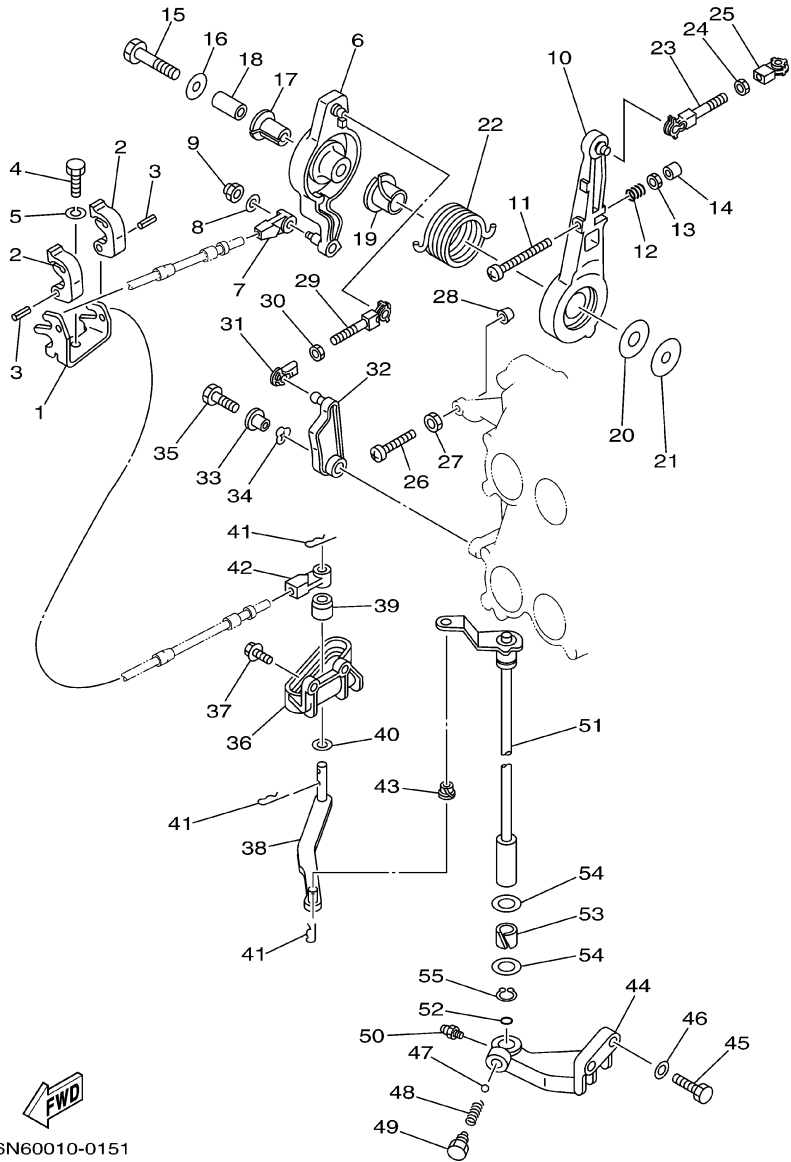


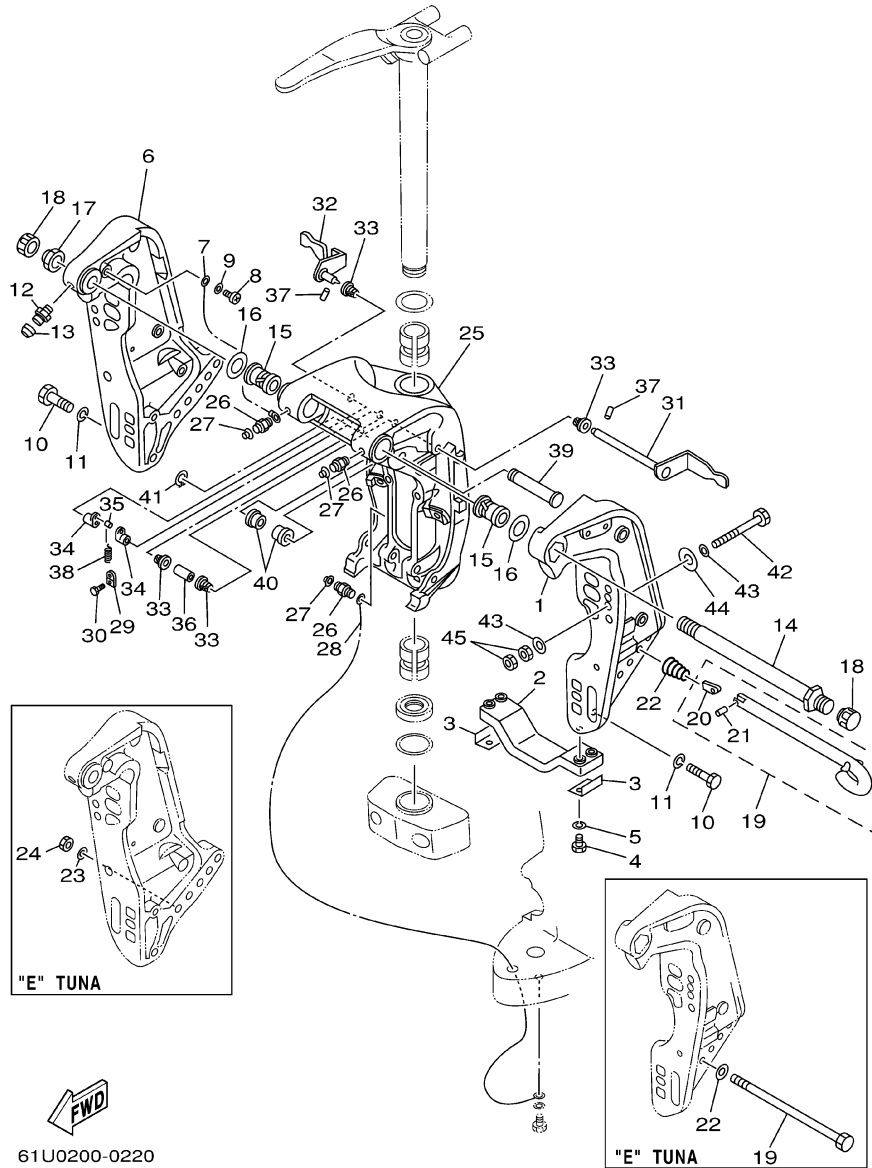
FIG. 21 CONTROL

CONTROL

| REF. NO. | PART NO. CODIGO NO. | DESCRIPTION DESCRIPTION | ET | E | WH | MH | REMARKS OBSERVACION |
|----------|---------------------|--|----|---|----|----|---------------------|
| 51 | 61U-44120-21 | HANDLE GEAR SHIFT ASSY MANIJA DE CAMBIO COMPL | | | 1 | 1 | X |
| 52 | 93210-09165 | O-RING ANILLO O | 1 | 1 | 1 | 1 | |
| 53 | 90386-16M66 | BUSH BUJE | 1 | 1 | 1 | 1 | |
| 54 | 90202-16061 | WASHER, PLATE ARANDELA DE PLANA | 2 | 2 | 2 | 2 | |
| 55 | 93410-16006 | CIRCLIP BOLA | 1 | 1 | 1 | 1 | |
| ----- | | | | | | | |
| ----- | | | | | | | |
| ----- | | | | | | | |
| ----- | | | | | | | |
| ----- | | | | | | | |
| ----- | | | | | | | |
| ----- | | | | | | | |
| ----- | | | | | | | |
| ----- | | | | | | | |
| ----- | | | | | | | |
| ----- | | | | | | | |
| ----- | | | | | | | |

FIG. 22 BRACKET 1

SOPORTE 1

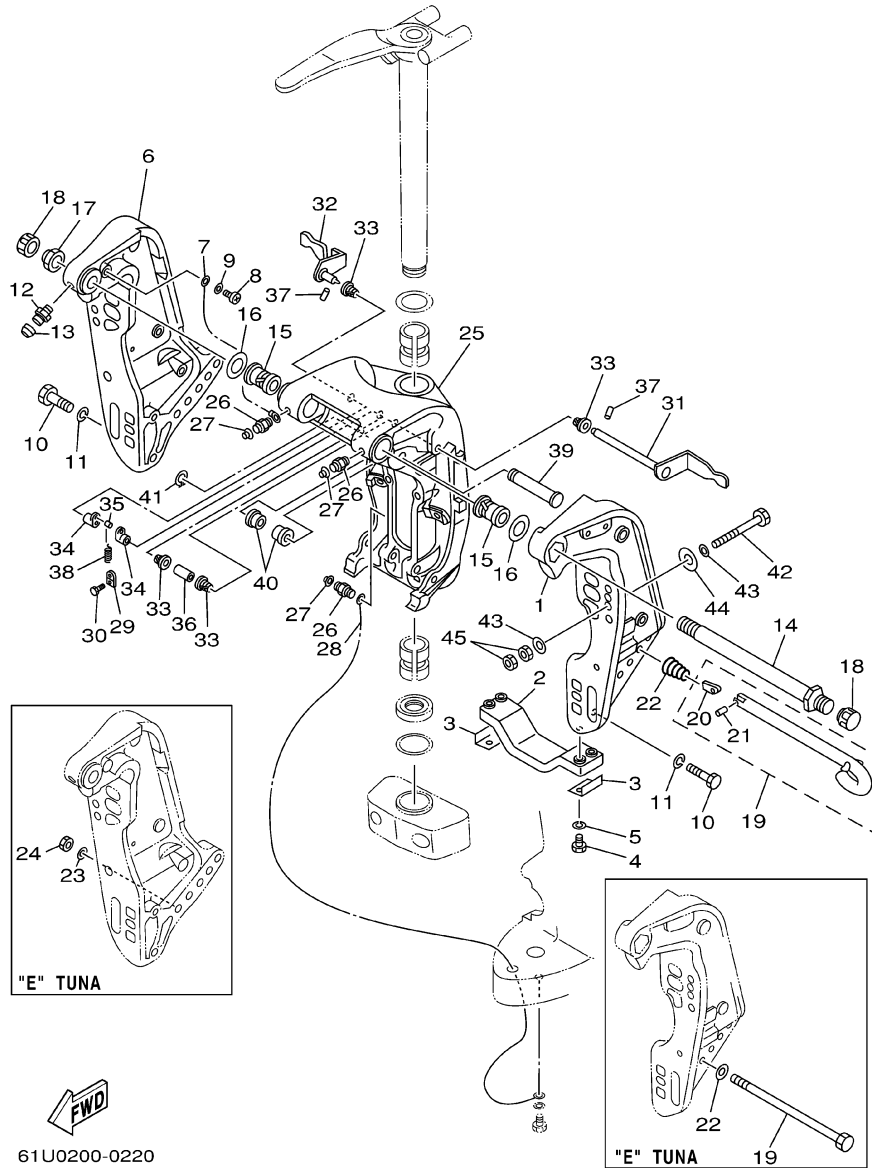


| REF. NO. | PART NO. CODIGO NO. | DESCRIPTION DESCRIPTION | ET | E | WH | MH | REMARKS OBSERVACION |
|----------|---------------------|---|----|---|----|----|---------------------|
| 1 | 6E5-43111-04-8D | BRACKET, CLAMP SOPORTE DE LA ABRAZADERA | | 1 | 1 | 1 | FOR TUNA |
| | 6E5-43111-62-8D | BRACKET, CLAMP SOPORTE DE LA ABRAZADERA | | 1 | | | |
| 2 | 6G5-45251-02 | ANODE CATODE | | 1 | 1 | 1 | |
| 3 | 6G5-44526-00 | PLATE PLACA 1 | | 2 | 2 | 2 | |
| 4 | 97095-06030 | BOLT PERNO | | 4 | 4 | 4 | FOR TUNA |
| 5 | 92995-06100 | WASHER, SPRING ARANDELA | | 4 | 4 | 4 | |
| 6 | 6E5-43112-04-8D | BRACKET, CLAMP SOPORTE DE LA ABRAZADERA | | 1 | 1 | 1 | |
| | 6E5-43112-62-8D | BRACKET, CLAMP SOPORTE DE LA ABRAZADERA | | 1 | | | |
| 7 | 6E5-82148-00 | WIRE, LEAD 4 CABLE CONDUCTOR 4 | | 1 | 1 | 1 | FOR TUNA |
| 8 | 97880-06012 | SCREW, PAN HEAD TORNILLO DE CABEZA CON PLANA | | 1 | 1 | 1 | |
| 9 | 92990-06600 | WASHER, PLATE ARANDELA | | 1 | 1 | 1 | |
| 10 | 97095-10045 | BOLT PERNO | | 6 | 6 | 6 | |
| 11 | 92995-10100 | WASHER ARANDELA | | 6 | 6 | 6 | AP |
| 12 | 93700-06M03 | NIPPLE, GREASE NIPLE DE ENGRASAR | | 1 | 1 | 1 | |
| 13 | 663-45119-00 | CAP, GREASE NIPPLE TAPA DE GRASERA | | 1 | 1 | 1 | |
| 14 | 6R3-43131-00 | BOLT, CLAMP BRACKET TORNILLO DE ABRAZADERA DEL SOP | | 1 | 1 | 1 | |
| 15 | 90386-25M31 | BUSH BUJE | | 2 | 2 | 2 | FOR TUNA |
| 16 | 90201-26M59 | WASHER, PLATE ARANDELA PLANA | | 2 | 2 | 2 | |
| 17 | 90185-22M11 | NUT, SELF-LOCKING TUERCA AUTOBLOCANTE | | 1 | 1 | 1 | |
| 18 | 6G5-43145-01 | CAP, CLAMP BRACKET TAPA | | 2 | 2 | | |
| 19 | 6E5-43160-00 | TILT ROD ASSY VARILLA DE BASCULACION COMPL. | | 1 | 1 | 1 | FOR TUNA |
| | 90109-12M55 | BOLT PERNO | | 1 | | | |
| 20 | 688-43165-00 | .PLATE, TILT LOCK .PLACA DE TOPE, VARILLA SEGUR | | 1 | 1 | 1 | |
| 21 | 91690-30014 | .PIN, SPRING .PASADOR DE RESORTE | | 1 | 1 | 1 | |
| 22 | 90502-20M03 | SPRING, CONICAL RESORTE CONICO | | 1 | 1 | 1 | FOR TUNA |
| | 92995-16600 | WASHER ARANDELA | | 1 | | | |
| 23 | 92995-12200 | WASHER ARANDELA | | 1 | | | FOR TUNA |

FWD
61U0200-0220

FIG. 22 BRACKET 1

SOPORTE 1



| REF. NO. | PART NO. CODIGO NO. | DESCRIPTION DESCRIPTION | ET | E | WH | MH | REMARKS OBSERVACION |
|----------|---------------------|--|----|----|----|----|---------------------|
| 24 | 95780-12300 | NUT, FLANGE TUERCA DE BRIDA | | 1 | | | FOR TUNA |
| 25 | 6E5-43311-A2-8D | BRACKET, SWIVEL 1 SOPORTE GIRATORIO 1 | | 1 | 1 | 1 | L/Y |
| | 6E5-43311-E2-8D | BRACKET, SWIVEL 1 SOPORTE GIRATORIO 1 | | 1 | 1 | 1 | X |
| 26 | 93700-06M03 | NIPPLE, GREASE NIPLE DE ENGRASAR | | 3 | 3 | 3 | |
| 27 | 663-45119-00 | CAP, GREASE NIPPLE TAPA DE GRASERA | | 3 | 3 | 3 | AP |
| 28 | 6E5-82147-00 | WIRE, LEAD 4 CABLE CONDUCTOR 4 | | 1 | 1 | 1 | L/Y |
| | 6E5-82147-20 | WIRE, LEAD 4 CABLE CONDUCTOR 4 | | 1 | 1 | 1 | X |
| 29 | 6G5-43144-00 | HOOK, SPRING GANCHO | | 1 | 1 | 1 | |
| 30 | 97095-06010 | BOLT PERNO | | 1 | 1 | 1 | |
| 31 | 61U-43181-00 | LEVER, TILT STOP PALANCA TOPE INCLINACION | | 1 | 1 | 1 | |
| 32 | 61U-43185-00 | LEVER, TILT STOP PALANCA TOPE INCLINACION | | 1 | 1 | 1 | |
| 33 | 90386-10M16 | BUSH BUJE | | 4 | 4 | 4 | |
| 34 | 6G5-43148-00 | COLLAR, DISTANCE COLLAR | | 2 | 2 | 2 | |
| 35 | 90249-06M19 | PIN PASADOR | | 1 | 1 | 1 | |
| 36 | 90387-10M05 | COLLAR CASQUILLO CON VALONA | | 1 | 1 | 1 | |
| 37 | 91690-30020 | PIN, SPRING PASADOR DE RESORTE | | 2 | 2 | 2 | |
| 38 | 90506-14M24 | SPRING, TENSION RESORTE DE TENSION | | 1 | 1 | 1 | |
| 39 | 6E5-43126-02 | PIN, UPPER SHOCK MOUNT PASADOR DE AMORTIGUADOR SUPERIOR | | 1 | 1 | 1 | |
| 40 | 90386-18M44 | BUSH BUJE | | 2 | 2 | 2 | |
| 41 | 93410-18M02 | CIRCLIP BOLA | | 1 | 1 | 1 | |
| 42 | 90101-12M03 | BOLT (L:115MM) TORNILLO (L:115MM) | | 4 | 4 | 4 | |
| | 90101-12M03 | BOLT (L:115MM) TORNILLO (L:115MM) | | 6 | | | FOR TUNA |
| 43 | 90201-13M01 | WASHER, PLATE ARANDELA PLANA | | 8 | 8 | 8 | |
| | 90201-13M01 | WASHER, PLATE ARANDELA PLANA | | 12 | | | FOR TUNA |
| 44 | 90201-12M05 | WASHER, PLATE ARANDELA PLANA | | 4 | 4 | 4 | |
| | 90201-12M05 | WASHER, PLATE ARANDELA PLANA | | 6 | | | FOR TUNA |
| 45 | 95380-12600 | NUT TUERCA | | 8 | 8 | 8 | |

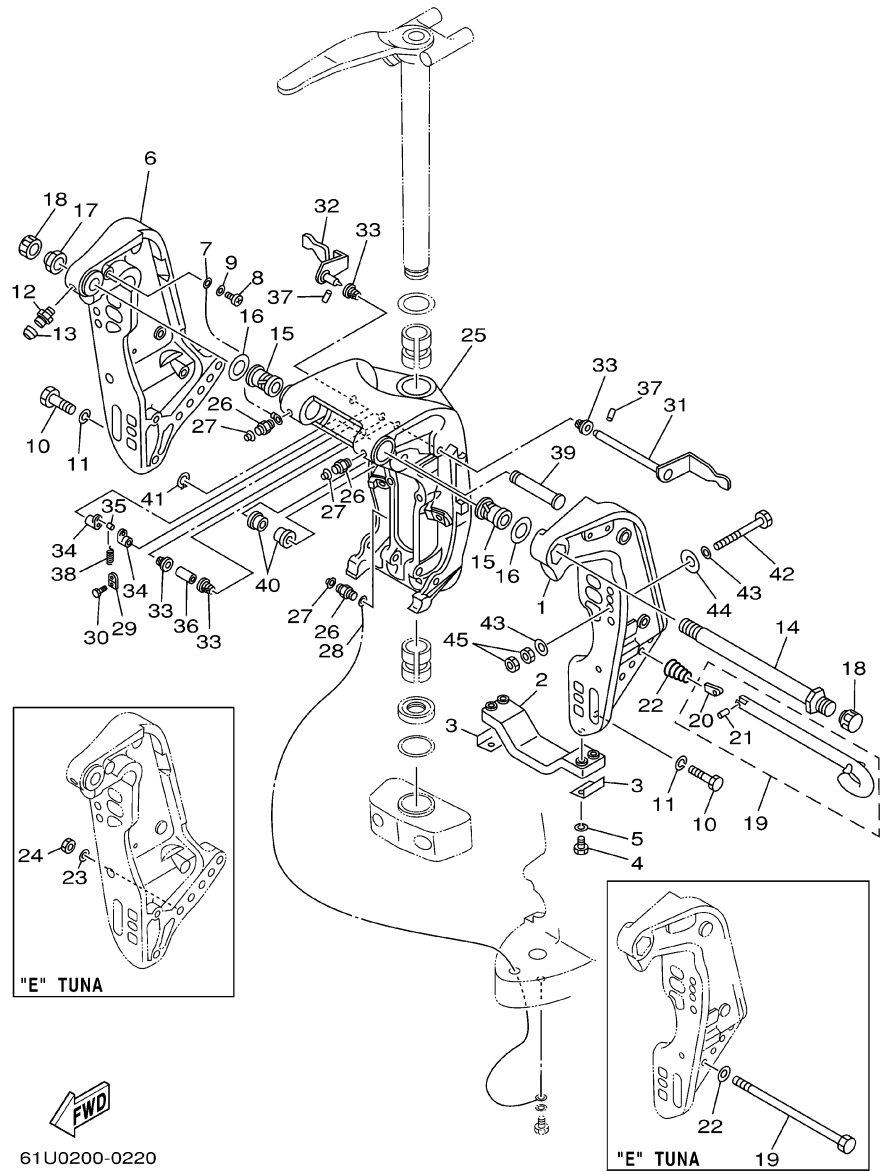


61U0200-0220

F7

FIG. 22 BRACKET 1

SOPORTE 1

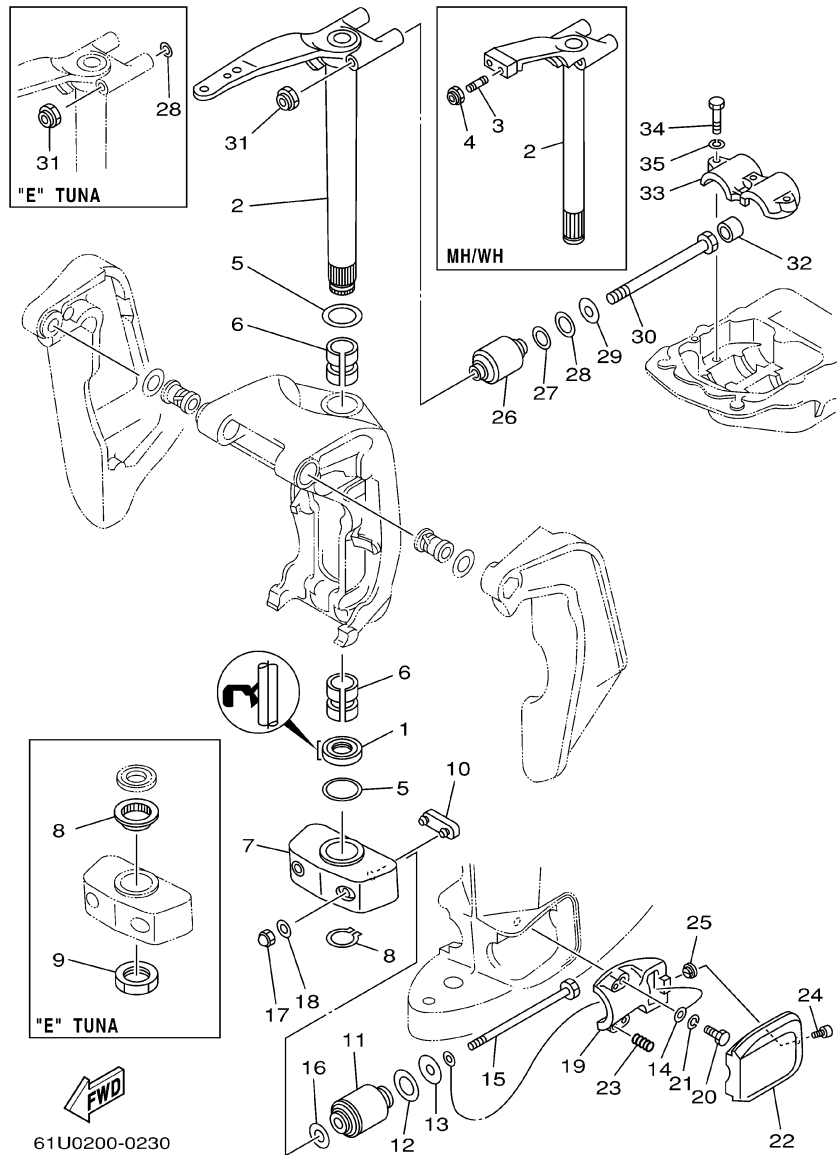


61U0200-0220

| REF. NO. | PART NO. CODIGO NO. | DESCRIPTION DESCRIPTION | ET | E | WH | MH | REMARKS OBSERVACION |
|----------|---------------------|-------------------------|----|----|----|----|---------------------|
| 45 | 95380-12600 | NUT TUERCA | | 12 | | | FOR TUNA |
| | | | | | | | |
| | | | | | | | |
| | | | | | | | |
| | | | | | | | |
| | | | | | | | |
| | | | | | | | |
| | | | | | | | |
| | | | | | | | |

FIG. 23 BRACKET 2

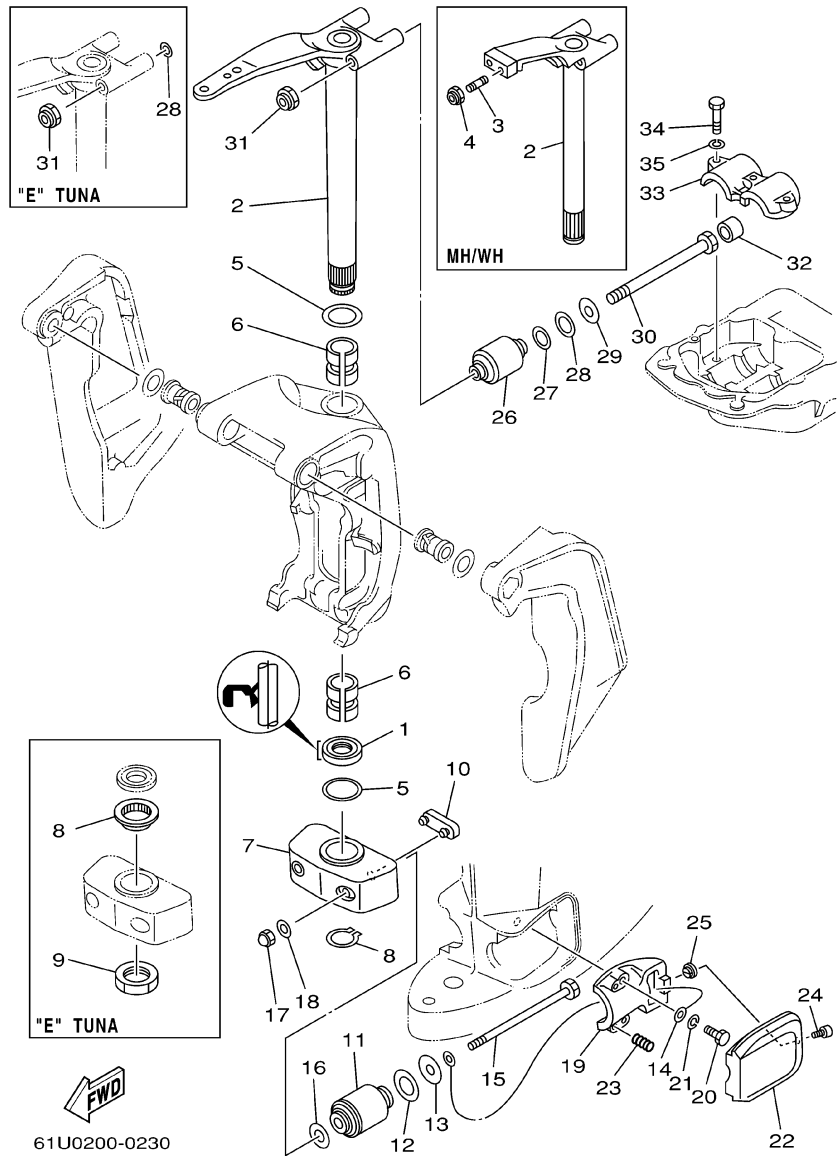
SOPORTE 2



| REF. NO. | PART NO. CODIGO NO. | DESCRIPTION DESCRIPTION | ET | E | WH | MH | REMARKS OBSERVACION |
|----------|---------------------|---|----|---|----|----|---------------------|
| 1 | 93109-38M02 | OIL SEAL SELLO ACEITE | | 1 | 1 | 1 | |
| 2 | 6E5-42510-05-8D | STEERING BRACKET ASSY SOPORTE DIRECCION COMPL. | | 1 | | | L |
| | 6E5-42510-11-8D | STEERING BRACKET ASSY SOPORTE DIRECCION COMPL. | | | 1 | 1 | L/Y |
| | 6E5-42510-61-8D | STEERING BRACKET ASSY SOPORTE DIRECCION COMPL. | | 1 | | | L-FOR TUNA |
| | 6E5-42510-25-8D | STEERING BRACKET ASSY SOPORTE DIRECCION COMPL. | | 1 | | | X |
| | 6E5-42510-71-8D | STEERING BRACKET ASSY SOPORTE DIRECCION COMPL. | | | 1 | 1 | X |
| 3 | 90116-10M28 | BOLT, STUD ESPARRAGO | | | 2 | 2 | |
| 4 | 90185-10051 | NUT, SELF-LOCKING TUERCA AUTOBLOCANTE | | | 2 | 2 | |
| 5 | 90201-38M60 | WASHER, PLATE ARANDELA PLANA | | 2 | 2 | 2 | |
| | 90201-38M60 | WASHER, PLATE ARANDELA PLANA | | 1 | | | FOR TUNA |
| 6 | 90386-38M32 | BUSH BUJE | | 2 | 2 | 2 | |
| | 90386-38M89 | BUSH BUJE | | 2 | | | FOR TUNA |
| 7 | 6G5-44551-01-8D | HOUSING, LOWER MOUNT RUBBER CAJA AMORTIGUADOR INFERIOR HU | | 1 | 1 | 1 | |
| | 6E5-44551-61-8D | HOUSING, LOWER MOUNT RUBBER CAJA AMORTIGUADOR INFERIOR HU | | 1 | | | FOR TUNA |
| 8 | 93410-37M04 | CIRCLIP BOLA | | 1 | 1 | 1 | |
| | 6E5-42535-60 | WASHER, THRUST RONDANA EMPUJE | | 1 | | | FOR TUNA |
| 9 | 6E5-42546-60 | NUT TUERCA | | 1 | | | FOR TUNA |
| 10 | 6E5-44575-00 | DAMPER, LOWER MOUNT RUBBER AMORTIGUADOR INFERIOR | | 1 | 1 | 1 | |
| 11 | 6E5-44555-00-94 | MOUNT DAMPER, LOWER SIDE AMORTIGUADOR DE HULE LADO INFE | | 2 | 2 | 2 | |
| 12 | 90202-32M19 | WASHER, PLATE ARANDELA DE PLANA | | 2 | 2 | 2 | |
| 13 | 90201-16M55 | WASHER, PLATE ARANDELA PLANA | | 2 | 2 | 2 | |
| 14 | 6E5-82149-00 | WIRE, LEAD 3 CABLE CONDUCTOR 3 | | 1 | 1 | 1 | |
| 15 | 90109-14M34 | BOLT PERNO | | 2 | 2 | 2 | |
| | 90109-14M54 | BOLT PERNO | | 2 | | | FOR TUNA |
| 16 | 90201-15M58 | WASHER, PLATE ARANDELA PLANA | | 2 | 2 | 2 | |
| 17 | 95380-14800 | NUT TUERCA | | 2 | 2 | 2 | |
| | 90185-14M00 | NUT, SELF-LOCKING TUERCA AUTOBLOCANTE | | 2 | | | FOR TUNA |

FIG. 23 BRACKET 2

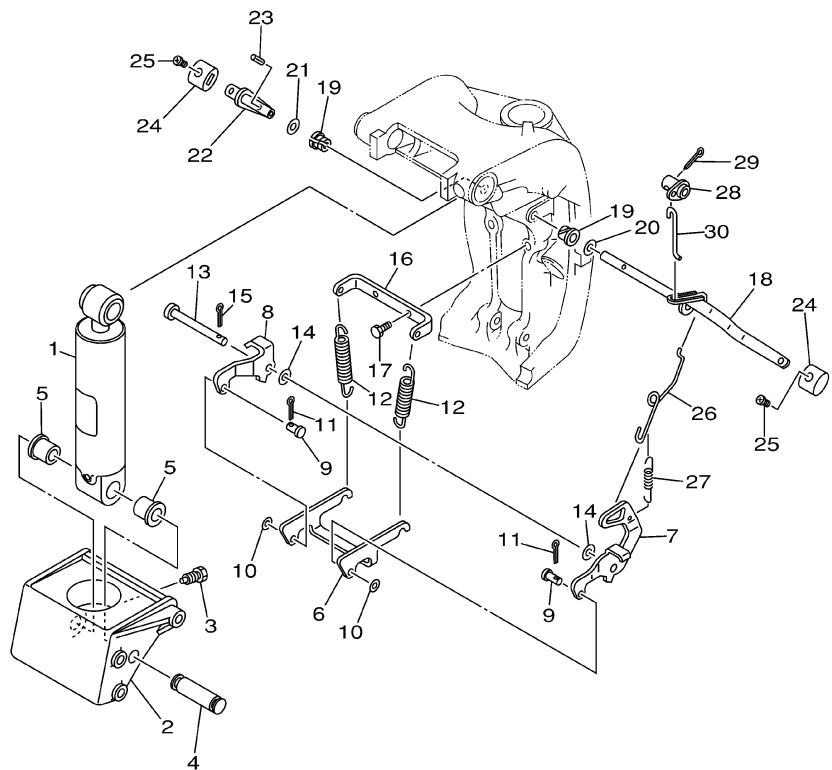
SOPORTE 2



| REF. NO. | PART NO. CODIGO NO. | DESCRIPTION DESCRIPTION | ET | E | WH | MH | REMARKS OBSERVACION |
|----------|---------------------|---|----|---|----|----|---------------------|
| 18 | 92995-14600 | WASHER ARANDELA | | 2 | 2 | 2 | |
| 19 | 6E5-44552-01-94 | HOUSING, LOWER MOUNT RUBBER CAJA AMORTIGUADOR INFERIOR HU | | 2 | 2 | 2 | |
| 20 | 97095-10045 | BOLT PERNO | | 4 | 4 | 4 | |
| 21 | 92995-10100 | WASHER ARANDELA | | 4 | 4 | 4 | |
| 22 | 6E5-44553-01-8D | COVER, LOWER MOUNT CUBIERTA, AMORTIGUADOR INFERIOR | | 2 | 2 | 2 | |
| 23 | 90501-16M28 | SPRING, COMPRESSION RESORTE DE COMPRESION | | 4 | 4 | 4 | |
| 24 | 97885-06016 | SCREW, PAN HEAD TORNILLO DE CABEZA CON PLANA | | 2 | 2 | 2 | |
| 25 | 90179-06066 | NUT TUERCA | | 2 | 2 | 2 | |
| 26 | 6E5-44514-00-94 | MOUNT DAMPER, UPPER SIDE AMORTIGUADOR LADO SUPERIOR | | 2 | 2 | 2 | |
| | 6E5-44514-60-94 | MOUNT DAMPER, UPPER SIDE AMORTIGUADOR LADO SUPERIOR | | 2 | | | FOR TUNA |
| 27 | 90201-26M57 | WASHER, PLATE ARANDELA PLANA | | 2 | 2 | 2 | |
| 28 | 90202-26M18 | WASHER, PLATE ARANDELA DE PLANA | | 2 | 2 | 2 | |
| | 92995-14200 | WASHER ARANDELA | | 2 | | | FOR TUNA |
| 29 | 90201-14M56 | WASHER, PLATE ARANDELA PLANA | | 2 | 2 | 2 | |
| | 90201-15M00 | WASHER, PLATE ARANDELA PLANA | | 2 | | | FOR TUNA |
| 30 | 90109-12M37 | BOLT PERNO | | 2 | 2 | 2 | |
| | 90109-14M53 | BOLT PERNO | | 2 | | | FOR TUNA |
| 31 | 90185-12M12 | NUT, SELF-LOCKING TUERCA AUTOBLOCANTE | | 2 | 2 | 2 | |
| | 90185-14M00 | NUT, SELF-LOCKING TUERCA AUTOBLOCANTE | | 2 | | | FOR TUNA |
| 32 | 663-44575-00 | DAMPER, LOWER MOUNT RUBBER AMORTIGUADOR INFERIOR | | 2 | 2 | 2 | EXCEPT FOR TUNA |
| 33 | 6E5-44511-00-5B | COVER, UPPER MOUNT CUBIERTA AMORTIGUADOR SUPERIOR | | 1 | 1 | 1 | |
| | 6E5-44511-60-5B | COVER, UPPER MOUNT CUBIERTA AMORTIGUADOR SUPERIOR | | 1 | | | FOR TUNA |
| 34 | 97095-10045 | BOLT PERNO | | 3 | 3 | 3 | |
| 35 | 92995-10100 | WASHER ARANDELA | | 3 | 3 | 3 | |

FIG. 24 BRACKET 3

SOPORTE 3

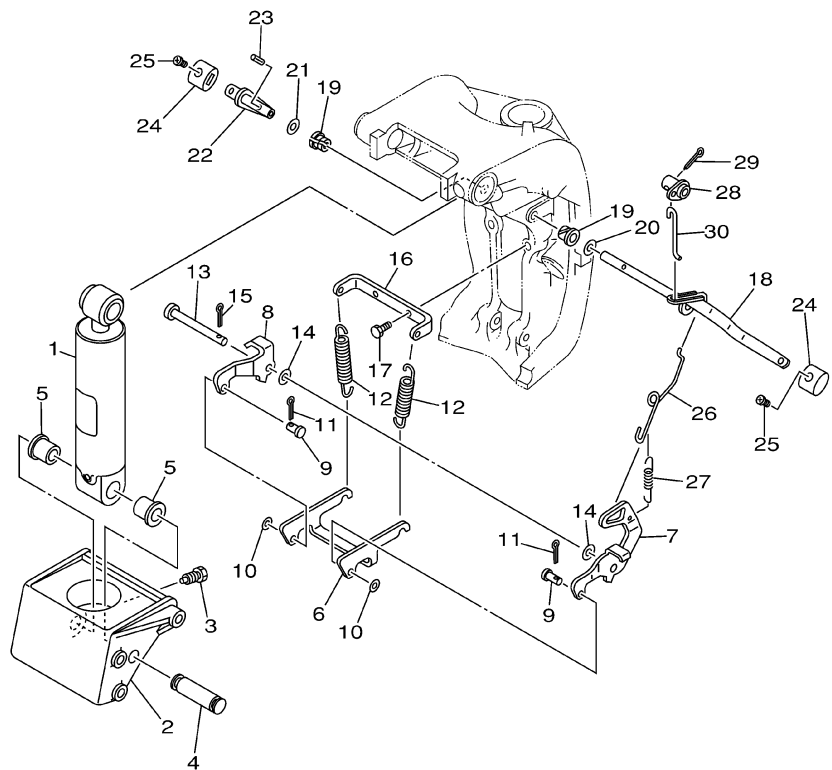


6E50200-0160

| REF. NO. | PART NO. CODIGO NO. | DESCRIPTION DESCRIPTION | ET | E | WH | MH | REMARKS OBSERVACION |
|----------|---------------------|--|----|---|----|----|---------------------|
| 1 | 6E5-43170-00-4D | SHOCK ABSORBER ASSY AMORTIGUADOR COMPL. | | 1 | 1 | 1 | |
| 2 | 6E5-43128-00-8D | SPACER, CLAMP BRACKET ESPACIADOR ABRAZADERA SOPORTE | | 1 | 1 | 1 | |
| 3 | 90109-06M07 | BOLT PERNO | | 1 | 1 | 1 | |
| 4 | 6E5-43124-00 | PIN, LOWER SHOCK MOUNT PASADOR DE AMORTIGUADOR INFERI | | 1 | 1 | 1 | |
| 5 | 90386-18M44 | BUSH BUJE | | 2 | 2 | 2 | |
| 6 | 6E5-43613-00 | ARM, TILT LOCK BRAZO DE SEGURO DE INCLINACION | | 1 | 1 | 1 | |
| 7 | 6E5-43614-00 | PLATE, TILT LOCK PLACA DE SEGURO DE INCLINACION | | 1 | 1 | 1 | |
| 8 | 6E5-43615-00 | PLATE, TILT LOCK PLACA DE SEGURO DE INCLINACION | | 1 | 1 | 1 | |
| 9 | 90240-06M07 | PIN, CLEVIS PASADOR CON HOYO | | 2 | 2 | 2 | |
| 10 | 92990-06600 | WASHER, PLATE ARANDELA | | 2 | 2 | 2 | |
| 11 | 91490-25012 | PIN, COTTER PASADOR DE CHAVETA | | 2 | 2 | 2 | |
| 12 | 90506-23M10 | SPRING, TENSION RESORTE DE TENSION | | 2 | 2 | 2 | |
| 13 | 6E5-43659-00 | SHAFT, REVERSE LOCK EJE SEGURO DE REVERSA | | 1 | 1 | 1 | |
| 14 | 92995-08600 | WASHER ARANDELA | | 2 | 2 | 2 | |
| 15 | 91490-25012 | PIN, COTTER PASADOR DE CHAVETA | | 1 | 1 | 1 | |
| 16 | 6E5-43679-00 | STOPPER, HOOK TAPON | | 1 | 1 | 1 | |
| 17 | 97095-06016 | BOLT PERNO | | 2 | 2 | 2 | |
| 18 | 6E5-43630-01 | TILT LEVER ASSY PLANCA DE INCLINACION COMPL | | 1 | 1 | 1 | |
| 19 | 90386-08032 | BUSH BUJE | | 2 | 2 | 2 | |
| 20 | 90202-08M08 | WASHER, PLATE ARANDELA DE PLANA | | 1 | 1 | 1 | |
| 21 | 92995-08600 | WASHER ARANDELA | | 1 | 1 | 1 | |
| 22 | 61U-43631-00 | LEVER, TILT PALANCA DE INCLINACION | | 1 | 1 | 1 | |
| 23 | 90254-03003 | PIN, SPRING PASADOR DE TIPO A RESORTE | | 1 | 1 | 1 | |
| 24 | 6E5-43317-00 | GRIP MANGO | | 2 | 2 | 2 | |
| 25 | 90152-05M00 | SCREW, COUNTERSUNK TORNILLO EMBUTIDO | | 2 | 2 | 2 | |
| 26 | 6E5-43616-00 | ROD, TILT LOCK VARILLA SEGURO DE INCLINACION | | 1 | 1 | 1 | |
| 27 | 90506-09M09 | SPRING, TENSION RESORTE DE TENSION | | 1 | 1 | 1 | |

FIG. 24 BRACKET 3

SOPORTE 3



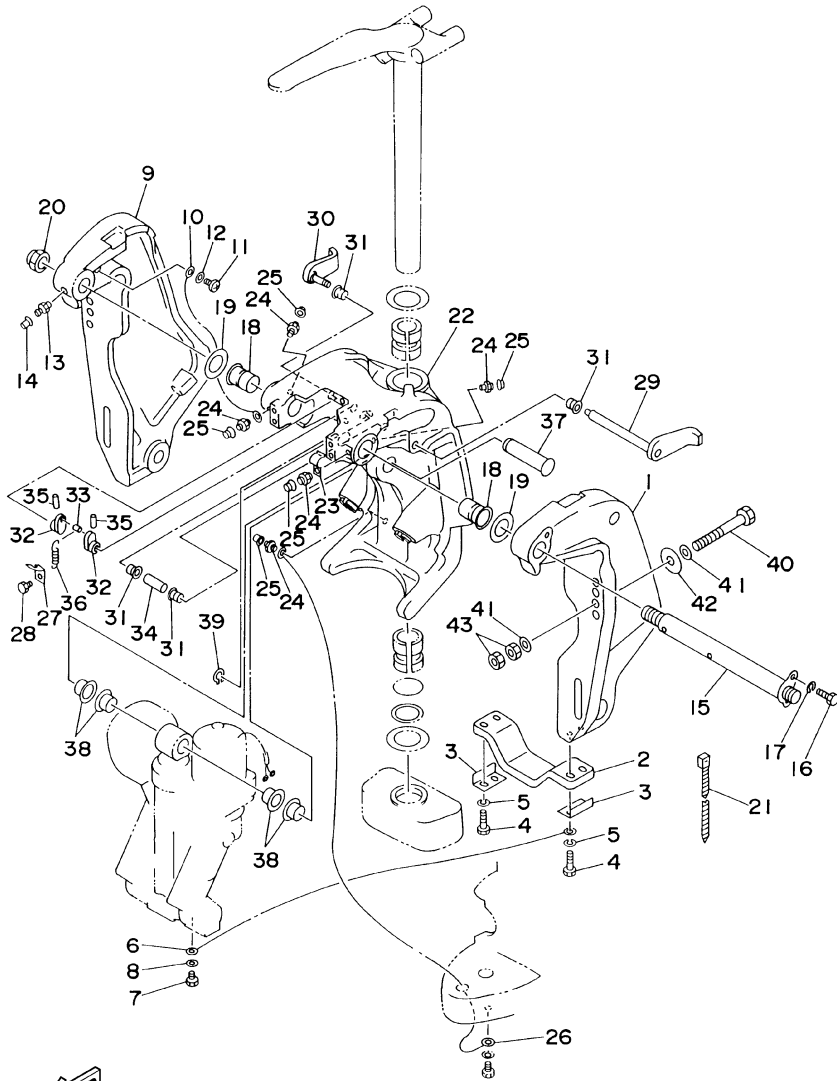
| REF. NO. | PART NO. CODIGO NO. | DESCRIPTION DESCRIPTION | ET | E | WH | MH | REMARKS OBSERVACION |
|----------|---------------------|-----------------------------------|----|---|----|----|---------------------|
| 28 | 688-43184-00 | COLLAR, ANCHOR LEVER COLLAR | | 1 | 1 | 1 | |
| 29 | 91490-30025 | PIN, COTTER PASADOR DE CHAVETA | | | 1 | 1 | |
| 30 | 6E5-43676-00 | HOOK GANCHO | | | 1 | 1 | |
| ----- | | | | | | | |
| ----- | | | | | | | |
| ----- | | | | | | | |
| ----- | | | | | | | |
| ----- | | | | | | | |
| ----- | | | | | | | |
| ----- | | | | | | | |
| ----- | | | | | | | |
| ----- | | | | | | | |
| ----- | | | | | | | |



6E50200-0160

FIG. 25 BRACKET 4

SOPORTE 4

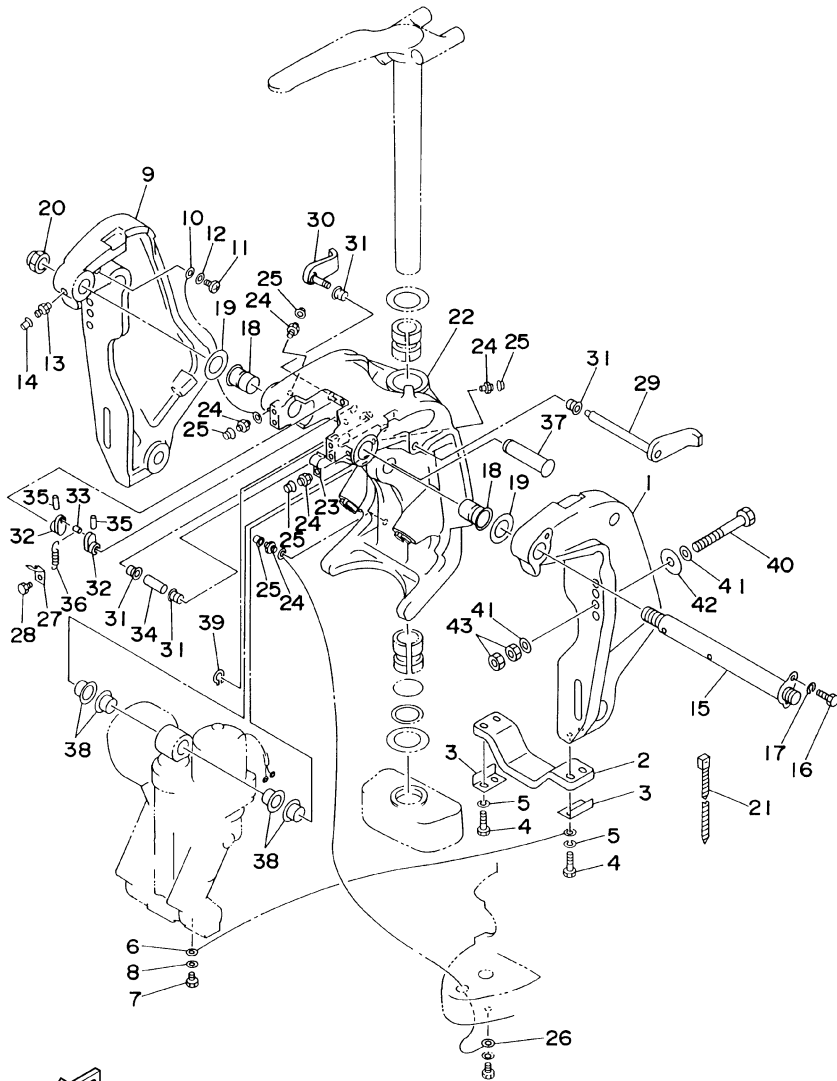


FWD
6N60010-7160

| REF. NO. | PART NO. CODIGO NO. | DESCRIPTION DESCRIPTION | ET | E | WH | MH | REMARKS OBSERVACION |
|----------|---------------------|---|----|---|----|----|---------------------|
| 1 | 64E-43111-02-8D | BRACKET, CLAMP SOPORTE DE LA ABRAZADERA | 1 | | | | |
| 2 | 6G5-45251-02 | ANODE CATODE | 1 | | | | |
| 3 | 6G5-44526-00 | PLATE PLACA 1 | 2 | | | | |
| 4 | 97095-06030 | BOLT PERNO | 4 | | | | |
| 5 | 92995-06100 | WASHER, SPRING ARANDELA | 4 | | | | |
| 6 | 6E5-82148-00 | WIRE, LEAD 4 CABLE CONDUCTOR 4 | 1 | | | | |
| 7 | 97095-06010 | BOLT PERNO | 1 | | | | |
| 8 | 92995-06600 | WASHER ARANDELA | 1 | | | | |
| 9 | 64E-43112-02-8D | BRACKET, CLAMP SOPORTE DE LA ABRAZADERA | 1 | | | | |
| 10 | 6E5-82148-00 | WIRE, LEAD 4 CABLE CONDUCTOR 4 | 1 | | | | |
| 11 | 97880-06012 | SCREW, PAN HEAD TORNILLO DE CABEZA CON PLANA | 1 | | | | |
| 12 | 92990-06600 | WASHER, PLATE ARANDELA | 1 | | | | |
| 13 | 93700-06M03 | NIPPLE, GREASE NIPLE DE ENGRASAR | 1 | | | | |
| 14 | 663-45119-00 | CAP, GREASE NIPPLE TAPA DE GRASERA | 1 | | | | AP |
| 15 | 64E-43131-01 | BOLT, CLAMP BRACKET TORNILLO DE ABRAZADERA DEL SOP | 1 | | | | |
| 16 | 97095-08020 | BOLT PERNO | 1 | | | | |
| 17 | 92995-08100 | WASHER ARANDELA | 1 | | | | |
| 18 | 90386-25M31 | BUSH BUJE | 2 | | | | |
| 19 | 90201-26M59 | WASHER, PLATE ARANDELA PLANA | 2 | | | | |
| 20 | 90185-22M11 | NUT, SELF-LOCKING TUERCA AUTOBLOCANTE | 1 | | | | |
| 21 | 90465-11M10 | CLAMP BRIDA | 1 | | | | |
| 22 | 64E-43311-10-8D | BRACKET, SWIVEL 1 SOPORTE GIRATORIO 1 | 1 | | | | L |
| | 64E-43311-20-8D | BRACKET, SWIVEL 1 SOPORTE GIRATORIO 1 | 1 | | | | X |
| 23 | 90465-08M63 | CLAMP BRIDA | 1 | | | | |
| 24 | 93700-06M03 | NIPPLE, GREASE NIPLE DE ENGRASAR | 5 | | | | |
| 25 | 663-45119-00 | CAP, GREASE NIPPLE TAPA DE GRASERA | 5 | | | | AP |
| 26 | 6E5-82147-00 | WIRE, LEAD 4 CABLE CONDUCTOR 4 | 1 | | | | L |

FIG. 25 BRACKET 4

SOPORTE 4

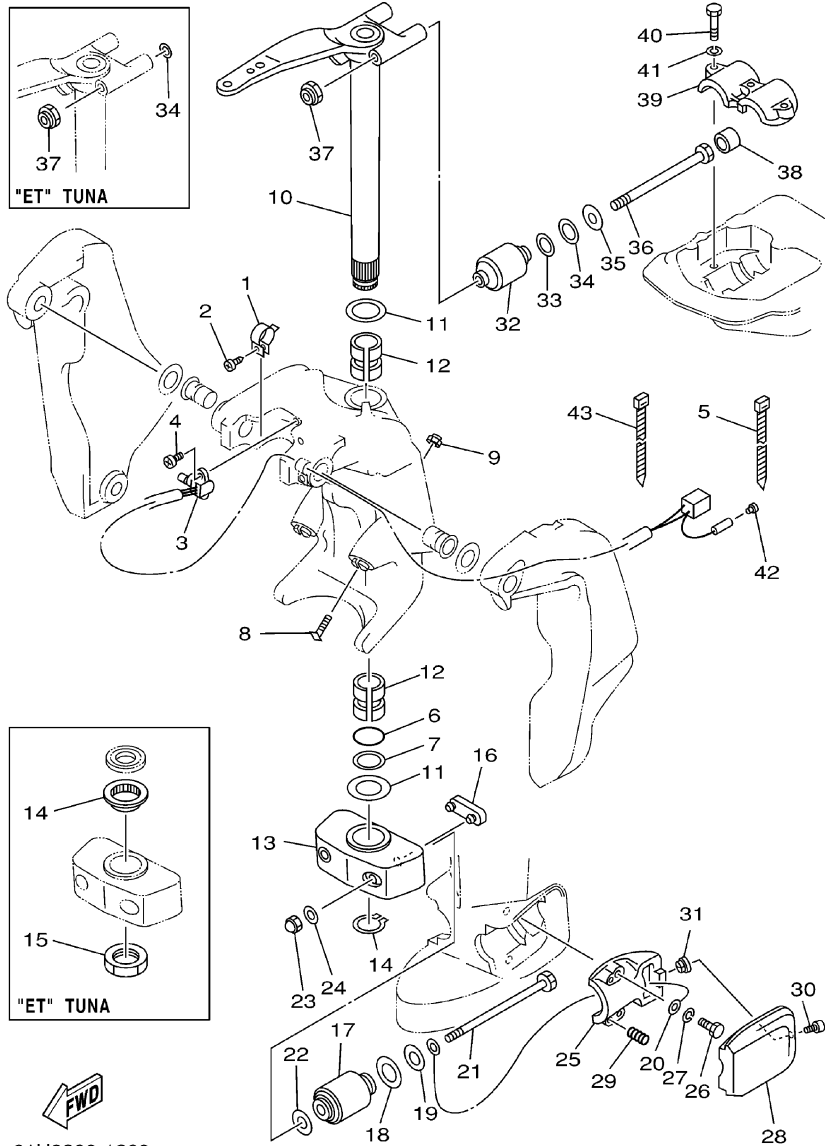


6N60010-7160

| REF. NO. | PART NO. CODIGO NO. | DESCRIPTION DESCRIPTION | ET | E | WH | MH | REMARKS OBSERVACION |
|----------|---------------------|--|----|---|----|----|---------------------|
| 26 | 6E5-82147-20 | WIRE, LEAD 4 CABLE CONDUCTOR 4 | 1 | | | | X |
| 27 | 6G5-43144-00 | HOOK, SPRING GANCHO | 1 | | | | |
| 28 | 97095-06010 | BOLT PERNO | 1 | | | | |
| 29 | 6G5-43181-02 | LEVER, TILT STOP PALANCA TOPE INCLINACION | 1 | | | | |
| 30 | 6G5-43185-02 | LEVER, TILT STOP PALANCA TOPE INCLINACION | 1 | | | | |
| 31 | 90386-10M16 | BUSH BUJE | 4 | | | | |
| 32 | 6G5-43148-00 | COLLAR, DISTANCE COLLAR | 2 | | | | |
| 33 | 90249-06M19 | PIN PASADOR | 1 | | | | |
| 34 | 90387-10M05 | COLLAR CASQUILLO CON VALONA | 1 | | | | |
| 35 | 91690-30020 | PIN, SPRING PASADOR DE RESORTE | 2 | | | | |
| 36 | 90506-14M24 | SPRING, TENSION RESORTE DE TENSION | 1 | | | | |
| 37 | 64E-43126-00 | PIN, UPPER SHOCK MOUNT PASADOR DE AMORTIGUADOR SUPERIOR | 1 | | | | |
| 38 | 90386-22M98 | BUSH BUJE | 4 | | | | |
| 39 | 93410-22M11 | CIRCLIP, PLATE BOLA | 1 | | | | |
| 40 | 90101-12M03 | BOLT (L:115MM) TORNILLO (L:115MM) | 4 | | | | |
| | 90101-12M03 | BOLT (L:115MM) TORNILLO (L:115MM) | 6 | | | | FOR TUNA |
| 41 | 90201-13M01 | WASHER, PLATE ARANDELA PLANA | 8 | | | | |
| | 90201-13M01 | WASHER, PLATE ARANDELA PLANA | 12 | | | | FOR TUNA |
| 42 | 90201-12M05 | WASHER, PLATE ARANDELA PLANA | 4 | | | | |
| | 90201-12M05 | WASHER, PLATE ARANDELA PLANA | 6 | | | | FOR TUNA |
| 43 | 95380-12600 | NUT TUERCA | 8 | | | | |
| | 95380-12600 | NUT TUERCA | 12 | | | | FOR TUNA |

FIG. 26 BRACKET 5

SOPORTE 5



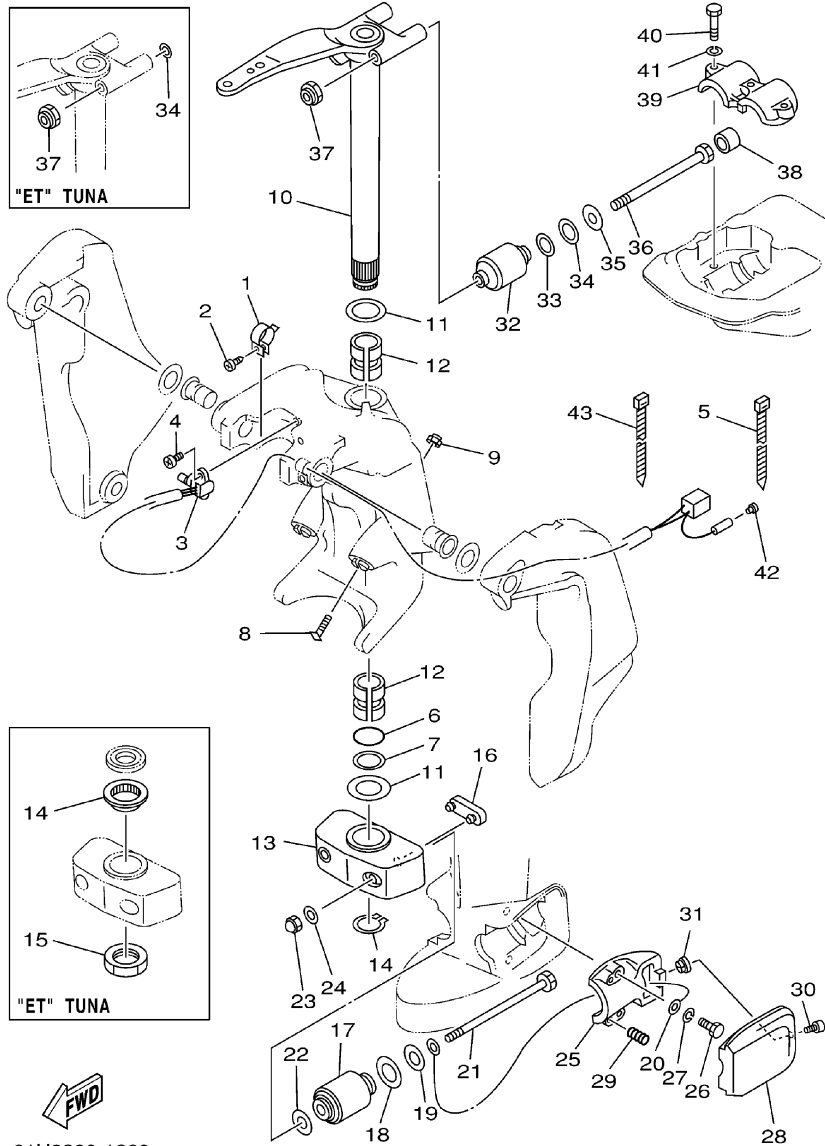
61U0200-1260

| REF. NO. | PART NO. CODIGO NO. | DESCRIPTION DESCRIPTION | ET | E | WH | MH | REMARKS OBSERVACION |
|----------|---------------------|--|----|---|----|----|---------------------|
| 1 | 64E-43139-02 | CAM, TRIM SENDER LEVA TRANSMISOR DE INCLINDOR | 1 | | | | |
| 2 | 97780-60525 | SCREW, TAPPING TORNILLO ROSCA HEMBRA | 1 | | | | |
| 3 | 64E-83672-02 | TRIM SENDER TRANSMISOR DE INCLINADOR | 1 | | | | |
| 4 | 97885-06016 | SCREW, PAN HEAD TORNILLO DE CABEZA CON PLANA | 2 | | | | |
| 5 | 90465-11M10 | CLAMP BRIDA | 3 | | | | |
| 6 | 93210-37MH7 | O-RING ANILLO O | 1 | | | | |
| 7 | 90202-40M47 | WASHER, PLATE ARANDELA DE PLANA | 1 | | | | |
| 8 | 61A-43376-00 | BOLT, THRUST RECEIVER TORNILLO RECEPTOR | 2 | | | | |
| 9 | 95780-10300 | NUT, FLANGE TUERCA DE BRIDA | 2 | | | | |
| 10 | 6E5-42510-05-8D | STEERING BRACKET ASSY SOPORTE DIRECCION COMPL. | 1 | | | | L |
| | 6E5-42510-25-8D | STEERING BRACKET ASSY SOPORTE DIRECCION COMPL. | 1 | | | | X |
| | 6E5-42510-61-8D | STEERING BRACKET ASSY SOPORTE DIRECCION COMPL. | 1 | | | | L-FOR TUNA |
| 11 | 90201-38M60 | WASHER, PLATE ARANDELA PLANA | 2 | | | | |
| | 90201-38M60 | WASHER, PLATE ARANDELA PLANA | 1 | | | | FOR TUNA |
| 12 | 90386-38M32 | BUSH BUJE | 2 | | | | |
| | 90386-38M89 | BUSH BUJE | 2 | | | | FOR TUNA |
| 13 | 6G5-44551-01-8D | HOUSING, LOWER MOUNT RUBBER CAJA AMORTIGUADOR INFERIOR HU | 1 | | | | |
| | 6E5-44551-61-8D | HOUSING, LOWER MOUNT RUBBER CAJA AMORTIGUADOR INFERIOR HU | 1 | | | | FOR TUNA |
| 14 | 93410-37M04 | CIRCLIP BOLA | 1 | | | | |
| | 6E5-42535-60 | WASHER, THRUST RONDANA EMPUJE | 1 | | | | FOR TUNA |
| 15 | 6E5-42546-60 | NUT TUERCA | 1 | | | | FOR TUNA |
| 16 | 6E5-44575-00 | DAMPER, LOWER MOUNT RUBBER AMORTIGUADOR INFERIOR | 1 | | | | |
| 17 | 6E5-44555-00-94 | MOUNT DAMPER, LOWER SIDE AMORTIGUADOR DE HULE LADO INFE | 2 | | | | |
| 18 | 90202-32M19 | WASHER, PLATE ARANDELA DE PLANA | 2 | | | | |
| 19 | 90201-16M55 | WASHER, PLATE ARANDELA PLANA | 2 | | | | |
| 20 | 6E5-82149-00 | WIRE, LEAD 3 CABLE CONDUCTOR 3 | 1 | | | | |
| 21 | 90109-14M34 | BOLT PERNO | 2 | | | | |

B4

FIG. 26 BRACKET 5

SOPORTE 5



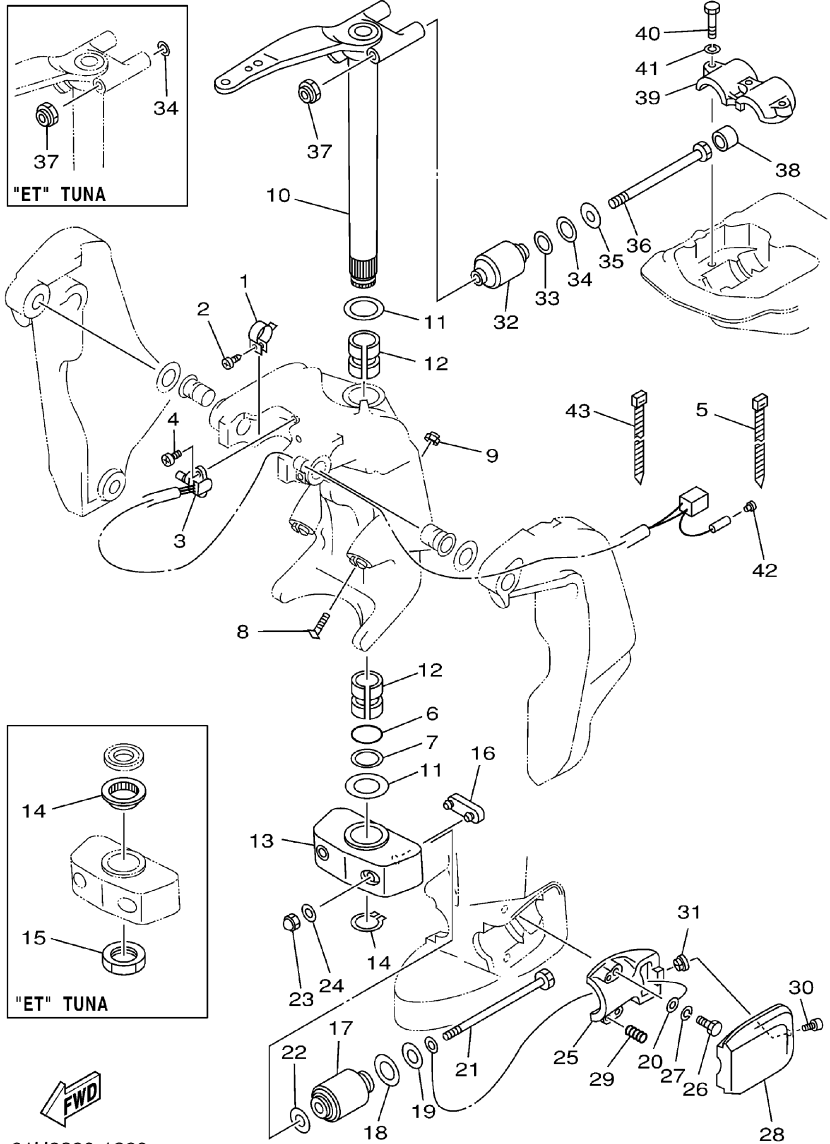
61U0200-1260

| REF. NO. | PART NO. CODIGO NO. | DESCRIPTION DESCRIPTION | ET | E | WH | MH | REMARKS OBSERVACION |
|----------|---------------------|---|----|---|----|----|---------------------|
| 21 | 90109-14M54 | BOLT PERNO | 2 | | | | FOR TUNA |
| 22 | 90201-15M58 | WASHER, PLATE ARANDELA PLANA | 2 | | | | |
| 23 | 95380-14800 | NUT TUERCA | 2 | | | | |
| | 90185-14M00 | NUT, SELF-LOCKING TUERCA AUTOBLOCANTE | 2 | | | | FOR TUNA |
| 24 | 92995-14600 | WASHER ARANDELA | 2 | | | | |
| 25 | 6E5-44552-01-94 | HOUSING, LOWER MOUNT RUBBER CAJA AMORTIGUADOR INFERIOR HU | 2 | | | | |
| 26 | 97095-10045 | BOLT PERNO | 4 | | | | |
| 27 | 92995-10100 | WASHER ARANDELA | 4 | | | | |
| 28 | 6E5-44553-01-8D | COVER, LOWER MOUNT CUBIERTA, AMORTIGUADOR INFERIOR | 2 | | | | |
| 29 | 90501-16M28 | SPRING, COMPRESSION RESORTE DE COMPRESION | 4 | | | | |
| 30 | 97885-06016 | SCREW, PAN HEAD TORNILLO DE CABEZA CON PLANA | 2 | | | | |
| 31 | 90179-06066 | NUT TUERCA | 2 | | | | |
| 32 | 6E5-44514-00-94 | MOUNT DAMPER, UPPER SIDE AMORTIGUADOR LADO SUPERIOR | 2 | | | | |
| | 6E5-44514-60-94 | MOUNT DAMPER, UPPER SIDE AMORTIGUADOR LADO SUPERIOR | 2 | | | | FOR TUNA |
| 33 | 90201-26M57 | WASHER, PLATE ARANDELA PLANA | 2 | | | | |
| 34 | 90202-26M18 | WASHER, PLATE ARANDELA DE PLANA | 2 | | | | |
| | 92995-14200 | WASHER ARANDELA | 2 | | | | FOR TUNA |
| 35 | 90201-14M56 | WASHER, PLATE ARANDELA PLANA | 2 | | | | |
| | 90201-15M00 | WASHER, PLATE ARANDELA PLANA | 2 | | | | FOR TUNA |
| 36 | 90109-12M37 | BOLT PERNO | 2 | | | | |
| | 90109-14M53 | BOLT PERNO | 2 | | | | FOR TUNA |
| 37 | 90185-12M12 | NUT, SELF-LOCKING TUERCA AUTOBLOCANTE | 2 | | | | |
| | 90185-14M00 | NUT, SELF-LOCKING TUERCA AUTOBLOCANTE | 2 | | | | FOR TUNA |
| 38 | 663-44575-00 | DAMPER, LOWER MOUNT RUBBER AMORTIGUADOR INFERIOR | 2 | | | | EXCEPT FOR TUNA |
| 39 | 6E5-44511-00-5B | COVER, UPPER MOUNT CUBIERTA AMORTIGUADOR SUPERIOR | 1 | | | | |
| | 6E5-44511-60-5B | COVER, UPPER MOUNT CUBIERTA AMORTIGUADOR SUPERIOR | 1 | | | | FOR TUNA |
| 40 | 97095-10045 | BOLT PERNO | 3 | | | | |

B5

FIG. 26 BRACKET 5

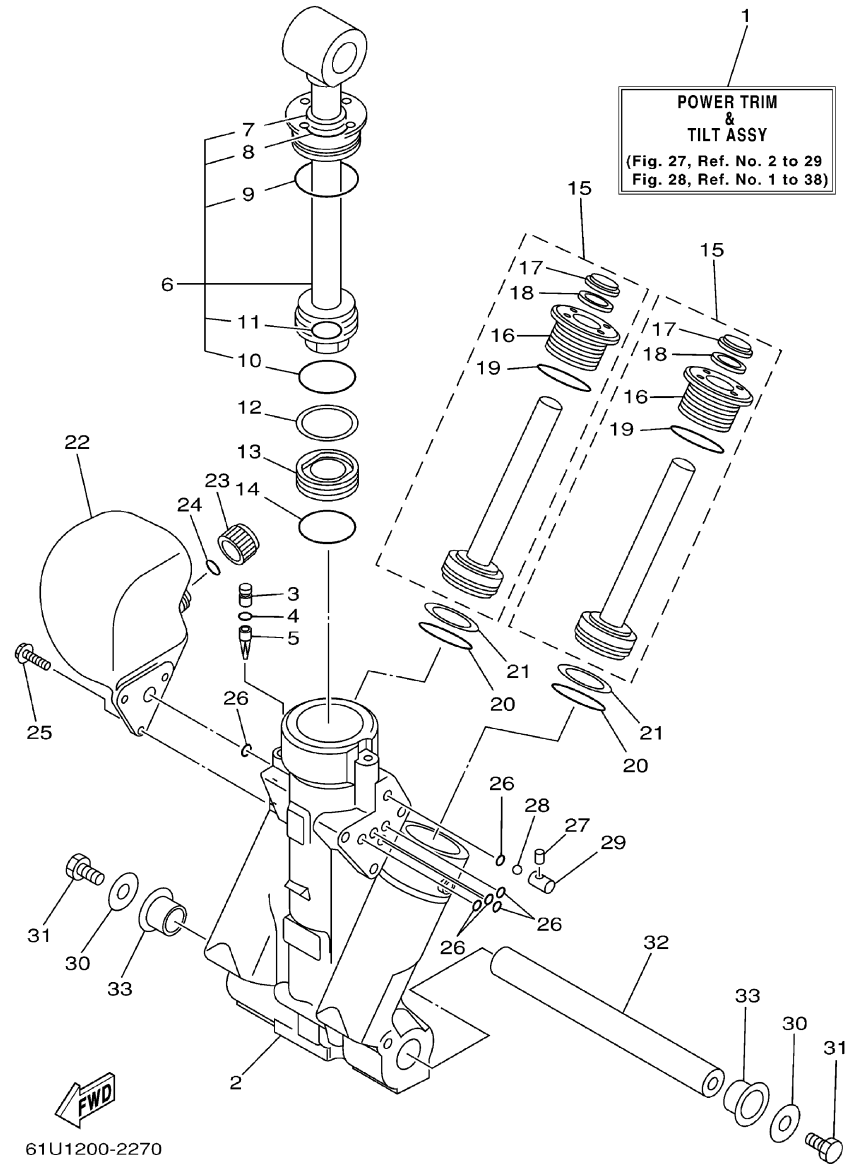
SOPORTE 5



61U0200-1260

| REF. NO. | PART NO. CODIGO NO. | DESCRIPTION DESCRIPTION | ET | E | WH | MH | REMARKS OBSERVACION |
|----------|---------------------|---|----|---|----|----|---------------------|
| 41 | 92995-10100 | WASHER ARANDELA | 3 | | | | |
| 42 | 703-82119-00 | COVER, LEAD WIRE CUBIERTA DE CABLE CONDUCTOR | 1 | | | | |
| 43 | 90465-13M18 | CLAMP BRIDA | 1 | | | | |

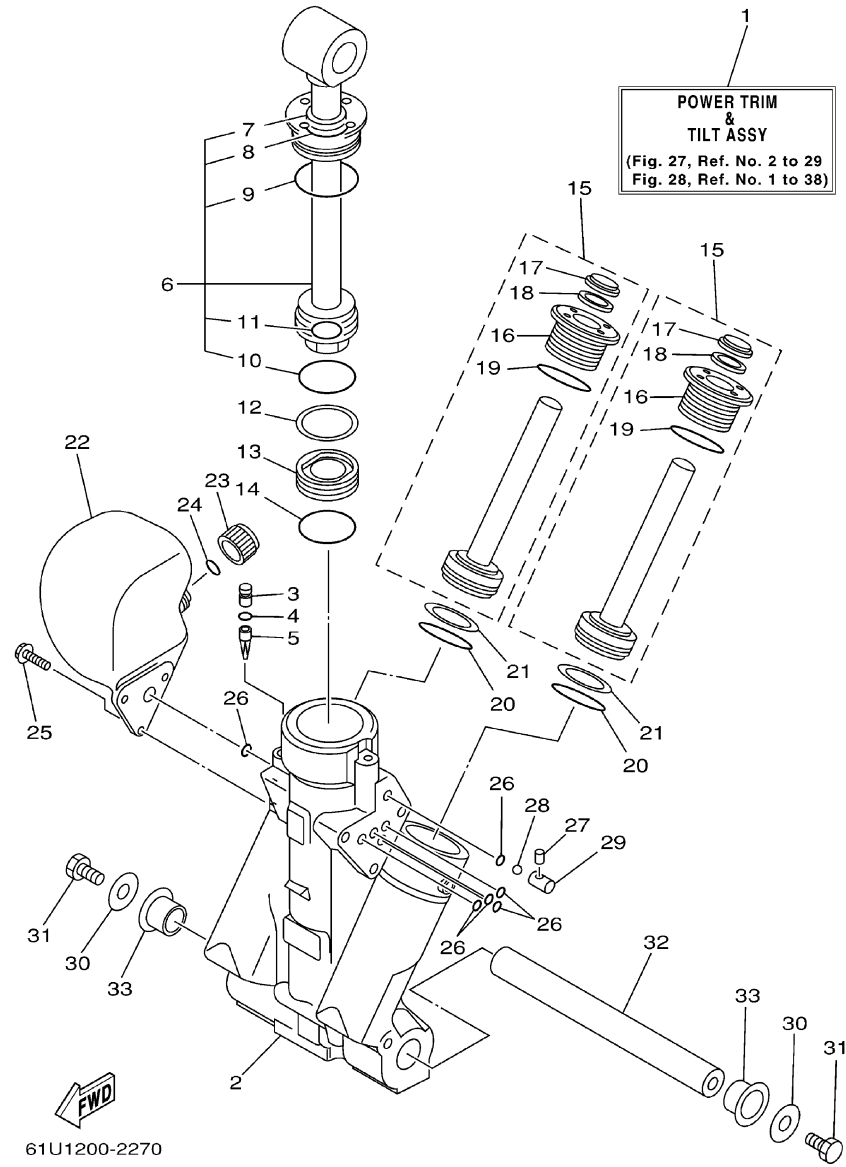
FIG. 27 POWER TRIM & TILT ASSY 1 COMPONER Y PODER VARILLA 1



61U1200-2270

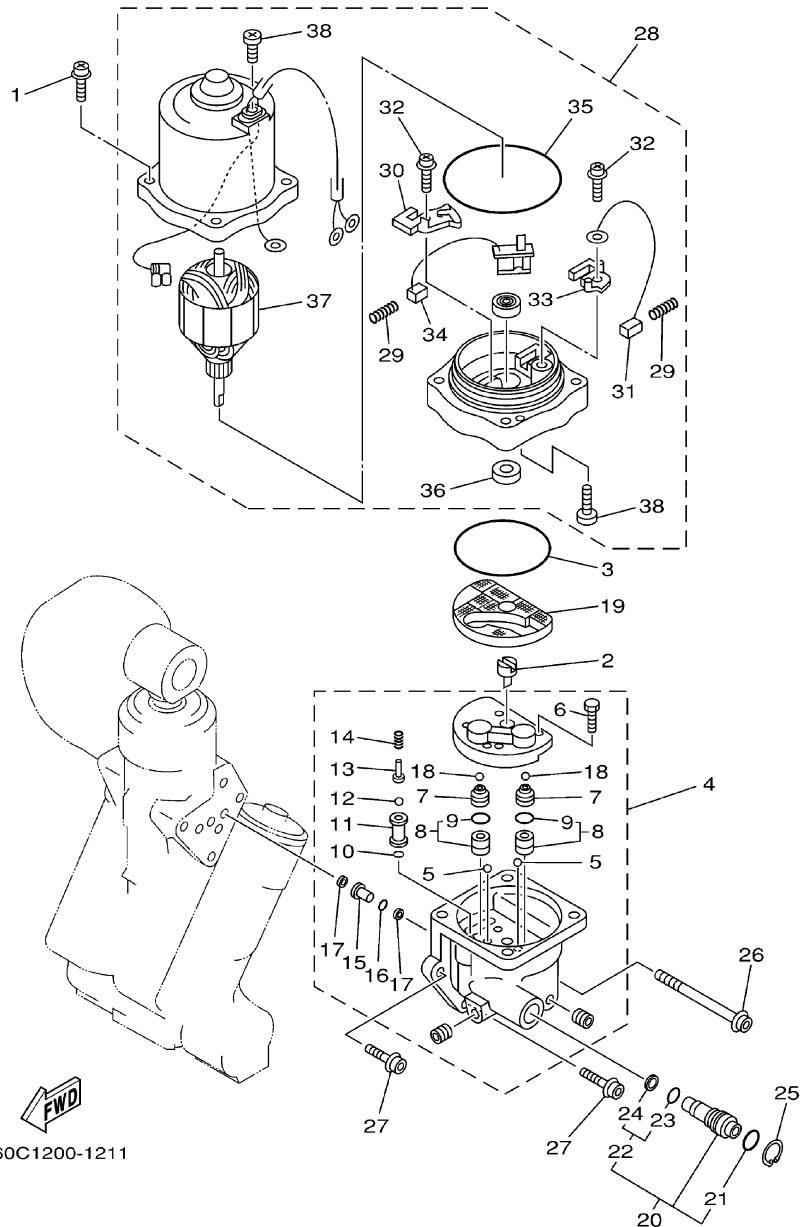
| REF. NO. | PART NO. CODIGO NO. | DESCRIPTION DESCRIPTION | ET | E | WH | MH | REMARKS OBSERVACION |
|----------|---------------------|--|----|---|----|----|---------------------|
| 1 | 64E-43800-02-4D | POWER TRIM & TILT ASSY ELEVADOR HIDRAULICO COMPL | 1 | | | | |
| 2 | 64E-43825-01 | HOUSING, TRIM & TILT CAJA INCLINACION Y ADRNO | 1 | | | | |
| 3 | 64E-4388J-00 | PLUG 2 TAPON 2 | 1 | | | | |
| 4 | 93210-10M74 | O-RING ANILLO O | 1 | | | | |
| 5 | 64E-43817-00 | FILTER 2 FILTRO 2 | 1 | | | | |
| 6 | 64E-43810-00 | TILT PISTON SUB ASSY ELEVADOR SUB-PISTON COMPL | 1 | | | | |
| 7 | 64E-43898-00 | .SEAL ,DUST 2 .SELLO ANTIPOLVO | 1 | | | | |
| 8 | 64E-43867-00 | .O-RING .ANILLO EN O 7 | 1 | | | | |
| 9 | 64E-43866-00 | .O-RING .ANILLO EN O 6 | 1 | | | | |
| 10 | 6E5-43862-00 | .O-RING .ANILLO EN O 2 | 1 | | | | |
| 11 | 64E-43883-00 | .O-RING .ANILLO EN O 10 | 1 | | | | |
| 12 | 6E5-43872-00 | RING, BACK UP ANILLO | 1 | | | | |
| 13 | 6E5-43814-02 | PISTON, FREE PISTON LIBRE | 1 | | | | |
| 14 | 6E5-43862-00 | O-RING ANILLO EN O 2 | 1 | | | | |
| 15 | 64E-43820-00 | TRIM PISTON SUB ASSY ELEVADOR PISTON COMPL. | 2 | | | | |
| 16 | 64E-43821-00 | .SCREW, TRIM CYLINDER END .TORNILLO CILINDURO EXTREMO | 1 | | | | |
| 17 | 64E-43822-00 | .SEAL, TRIM DUST .SELLO DE POLVO | 1 | | | | |
| 18 | 64E-4384J-00 | .SEAL, TRIM DOWN .SELLO | 1 | | | | |
| 19 | 6G5-43864-00 | .O-RING .ANILLO EN O 4 | 1 | | | | |
| 20 | 6E5-43864-00 | O-RING ANILLO EN O 4 | 2 | | | | |
| 21 | 6E5-43874-01 | RING, BACK UP ANILLO | 2 | | | | |
| 22 | 64E-43828-00 | BODY, RESERVOIR CUERPO DEPOSITO | 1 | | | | |
| 23 | 64E-43829-00 | PLUG, RESERVOIR TAPON DEPOSITO | 1 | | | | |
| 24 | 64E-43897-00 | O-RING ANILLO EN O | 1 | | | | |
| 25 | 64E-4388E-00 | BOLT ,SCREW (L:14MM) PERNO (L:14MM) | 3 | | | | |
| 26 | 64E-43869-00 | O-RING ANILLO EN O 9 | 6 | | | | |
| 27 | 64E-4381G-00 | PIN PASADOR 1 | 1 | | | | |

FIG. 27 POWER TRIM & TILT ASSY 1 **COMPONER Y PODER VARILLA 1**



| REF. NO. | PART NO. CODIGO NO. | DESCRIPTION DESCRIPTION | ET | E | WH | MH | REMARKS OBSERVACION |
|----------|---------------------|--|----|---|----|----|---------------------|
| 28 | 6E5-43858-00 | BALL ESFERA | 1 | | | | |
| 29 | 64E-4382G-00 | VALVE, SEAT JUEGO ASIENTO VALVULA | 1 | | | | |
| 30 | 90201-08M14 | WASHER, PLATE ARANDELA PLANA | 2 | | | | |
| 31 | 97080-08016 | BOLT PERNO | 2 | | | | |
| 32 | 64E-43818-01 | PIN, LOWER SHOCK MOUNT PASADOR AMORTIGUADOR INFERIOR | 1 | | | | |
| 33 | 90386-22M98 | BUSH BUJE | 2 | | | | |
| ----- | | | | | | | |
| ----- | | | | | | | |
| ----- | | | | | | | |
| ----- | | | | | | | |
| ----- | | | | | | | |
| ----- | | | | | | | |
| ----- | | | | | | | |
| ----- | | | | | | | |
| ----- | | | | | | | |
| ----- | | | | | | | |

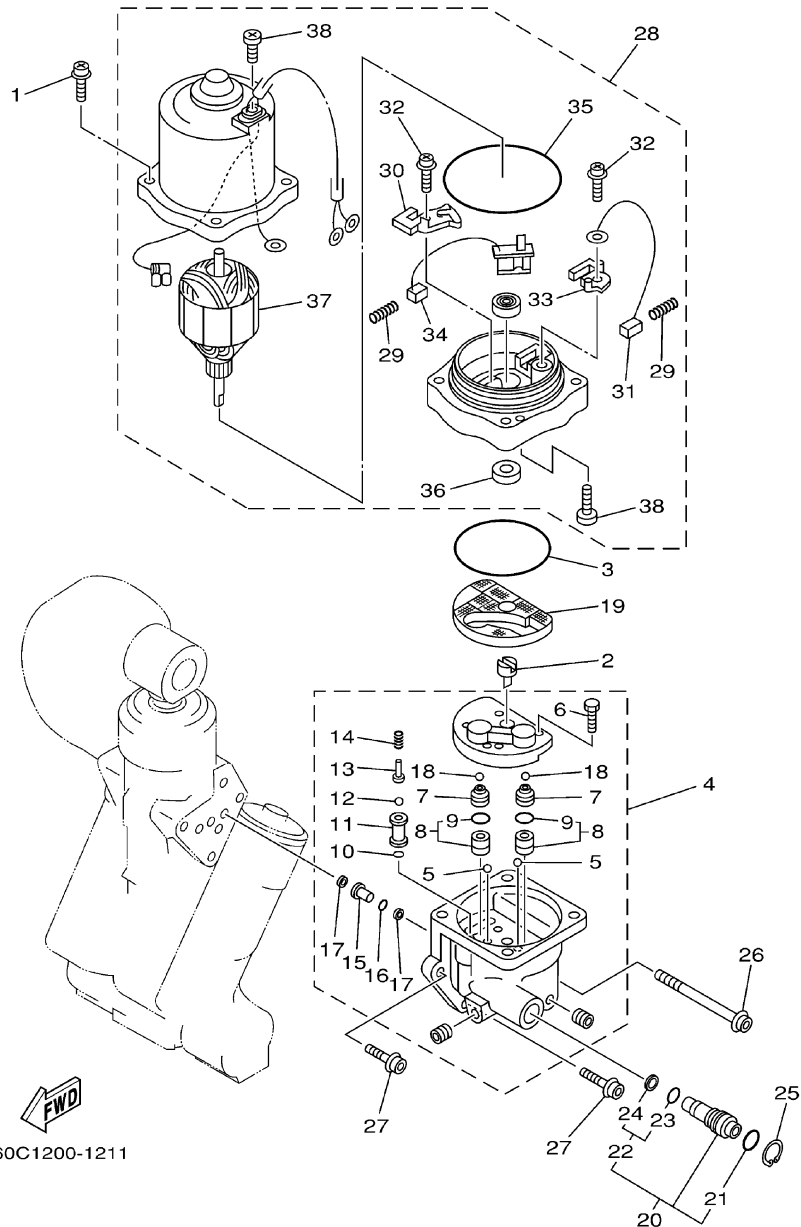
FIG. 28 POWER TRIM & TILT ASSY 2 COMPONER Y PODER VARILLA 2



60C1200-1211

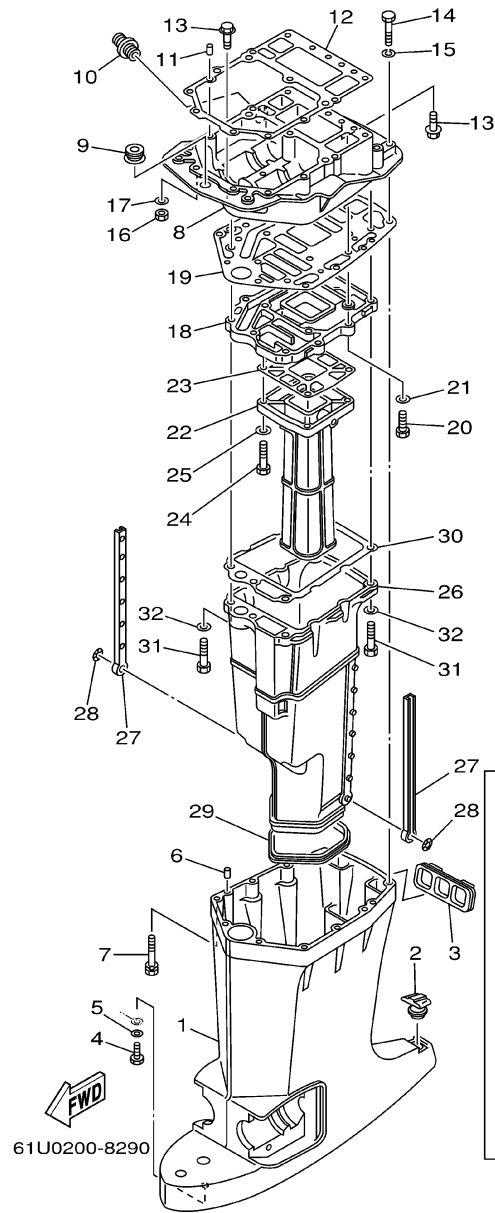
| REF. NO. | PART NO. CODIGO NO. | DESCRIPTION DESCRIPTION | ET | E | WH | MH | REMARKS OBSERVACION |
|----------|---------------------|---|----|---|----|----|---------------------|
| 1 | 64E-4388E-10 | BOLT ,SCREW (L:34.7MM) PERNO (L:34.7MM) | 4 | | | | |
| 2 | 64E-43831-00 | CONNECTOR, SHAFT CONEXION EJE | 1 | | | | |
| 3 | 64E-43868-00 | O-RING ANILLO EN O 8 | 1 | | | | |
| 4 | 64E-43830-00 | GEAR PUMP ASSY ENGRANAJE BOMBA COMPL. | 1 | | | | |
| 5 | 72X-43858-00 | .BALL .ESFERA | 2 | | | | |
| 6 | 64E-43843-00 | .SCREW, VALVE LOCK .TORNILLO | 4 | | | | |
| 7 | 64E-43841-00 | .PISTON, SHUTTLE .PISTON | 2 | | | | |
| 8 | 64E-43802-00 | .VALVE SUB ASSY .VALVULA PRINCIPAL COMPL. | 2 | | | | |
| 9 | 6E5-43896-00 | ..O-RING ..ANILLO EN O | 1 | | | | |
| 10 | 6G5-43863-00 | .O-RING .ANILLO EN O 3 | 1 | | | | |
| 11 | 64E-43851-00 | .SEAT, RELIEF VALVE .ASIENTO VALVULA DE DESCARGA | 1 | | | | |
| 12 | 64E-43858-00 | .BALL .ESFERA | 1 | | | | |
| 13 | 64E-43859-00 | .PIN, VALVE SUPPORT .PASADOR VALVULA SOPORTE | 1 | | | | |
| 14 | 64E-43855-00 | .SPRING, UP RELIEF .RESORTE SEGURIDAD SUPERIOR | 1 | | | | |
| 15 | 64E-43850-00 | .VALVE SUB ASSY .VALVULA COMPL | 1 | | | | |
| 16 | 64E-43865-00 | O-RING ANILLO EN O 5 | 1 | | | | |
| 17 | 64E-43816-00 | .FILTER 1 .FILTRO 1 | 2 | | | | |
| 18 | 64E-43858-00 | .BALL .ESFERA | 2 | | | | |
| 19 | 64E-43817-10 | FILTER 2 FILTRO 2 | 1 | | | | |
| 20 | 64E-43860-00 | MANUAL VALVE SUB-ASSY VALVULA SUB-COMPL. | 1 | | | | |
| 21 | 72X-85075-L0 | O-RING ANILLO EN O 5 | 1 | | | | |
| 22 | 64E-43827-00 | .RING SET .ESFERA | 1 | | | | |
| 23 | 64E-4387A-00 | ..O-RING ..ANILLO O | 1 | | | | |
| 24 | 64E-43873-00 | ..RING, BACK UP ..ANILLO | 1 | | | | |
| 25 | 64E-43875-00 | RING, SNAP ANILLO | 1 | | | | |
| 26 | 64E-43879-10 | SCREW, WITH WASHER TORNILLO CON RONDANA | 1 | | | | |
| 27 | 64E-43879-00 | SCREW, WITH WASHER TORNILLO CON RONDANA | 2 | | | | |

FIG. 28 POWER TRIM & TILT ASSY 2 COMPONER Y PODER VARILLA 2



60C1200-1211

| REF. NO. | PART NO. CODIGO NO. | DESCRIPTION DESCRIPTION | ET | E | WH | MH | REMARKS OBSERVACION |
|----------|---------------------|--|----|---|----|----|---------------------|
| 28 | 64E-43880-01 | MOTOR ASSY MOTOR COMPL. | 1 | | | | |
| 29 | 6H1-4386K-10 | .SPRING, BRUSH .RESORTE, ESCOBILLA | 2 | | | | |
| 30 | 64E-4380J-00 | .HOLDER, BRUSH .PORTAESCOBILLA | 1 | | | | |
| 31 | 64E-43891-00 | .BRUSH 1 .ESCOBILLA 1 | 1 | | | | |
| 32 | 97607-04310 | .SCREW, PAN HEAD WITH WASHER .TORNILLO CAB CON PLANA C/ARAN | 2 | | | | |
| 33 | 64E-4380F-00 | .HOLDER, BRUSH 2 .PORTAESCOBILLA 2 | 1 | | | | |
| 34 | 64E-43892-00 | .BRUSH 2 .ESCOBILLA 2 | 1 | | | | |
| 35 | 6G5-43865-00 | .O-RING .ANILLO EN O 5 | 1 | | | | |
| 36 | 93102-08M43 | .OIL SEAL .SELLO ACEITE | 1 | | | | |
| 37 | 64E-43805-00 | .ARMATURE ASSY .INDUCIDO COMPL. | 1 | | | | |
| 38 | 64E-43843-10 | .SCREW, VALVE LOCK .TORNILLO | 3 | | | | |



61U0200-8290

FIG. 29 UPPER CASING

FUNDA SUPERIOR

| REF. NO. | PART NO. CODIGO NO. | DESCRIPTION DESCRIPTION | ET | E | WH | MH | REMARKS OBSERVACION |
|----------|---------------------|--|----|---|----|----|---------------------|
| 1 | 6E5-45111-02-8D | CASING, UPPER CAJA SUPERIOR | 1 | 1 | 1 | 1 | L/Y |
| | 6E5-45111-23-8D | CASING, UPPER CAJA SUPERIOR | 1 | 1 | 1 | 1 | X |
| 2 | 6E5-45155-00 | CAP TAPA | 1 | 1 | 1 | 1 | |
| 3 | 6E5-42769-00 | SEAL, RUBBER SELLO DE GOMA | 1 | 1 | 1 | 1 | |
| 4 | 97095-06010 | BOLT PERNO | 1 | 1 | 1 | 1 | |
| 5 | 92995-06600 | WASHER ARANDELA | 1 | 1 | 1 | 1 | |
| 6 | 93608-12M05 | PIN, DOWEL PASADOR DE CLAVIJA | 2 | 2 | 2 | 2 | |
| 7 | 90119-08027 | BOLT, WITH WASHER TORNILLO CON ARANDELA | 6 | 6 | 6 | 6 | |
| 8 | 6E5-41137-03-94 | GUIDE, EXHAUST GUIA DE ESCAPE | 1 | 1 | 1 | 1 | |
| 9 | 6E5-42724-00 | GROMMET TAPON | 1 | 1 | 1 | 1 | |
| 10 | 6G5-12581-00 | JOINT, HOSE 1 CONEXION | 1 | 1 | 1 | 1 | |
| 11 | 93608-12M05 | PIN, DOWEL PASADOR DE CLAVIJA | 2 | 2 | 2 | 2 | |
| 12 | 6E5-45113-A0 | GASKET, UPPER CASING EMPAQUE | 1 | 1 | 1 | 1 | |
| 13 | 90119-08M79 | BOLT, WITH WASHER TORNILLO CON ARANDELA | 6 | 6 | 6 | 6 | |
| 14 | 97095-08045 | BOLT PERNO | 2 | 2 | 2 | 2 | |
| 15 | 92995-08100 | WASHER ARANDELA | 2 | 2 | 2 | 2 | |
| 16 | 95380-08700 | NUT TUERCA | 2 | 2 | 2 | 2 | |
| 17 | 92995-08100 | WASHER ARANDELA | 2 | 2 | 2 | 2 | |
| 18 | 6E5-41131-01-5B | MANIFOLD, EXT. 1 TUBO MULTIPLE DE ESCAPE | 1 | 1 | 1 | 1 | |
| 19 | 6E5-45114-A0 | GASKET, UPPER CASING EMPAQUE | 1 | 1 | 1 | 1 | |
| 20 | 97095-08030 | BOLT PERNO | 4 | 4 | 4 | 4 | |
| 21 | 92995-08600 | WASHER ARANDELA | 4 | 4 | 4 | 4 | |
| 22 | 6E5-41132-00-5B | MANIFOLD, EXHAUST TUBO MULTIPLE DE ESCAPE | 1 | 1 | 1 | 1 | |
| 23 | 6E5-41134-B0 | GASKET, EXHAUST MANIFOLD EMPAQUE | 1 | 1 | 1 | 1 | |
| 24 | 97095-08045 | BOLT PERNO | 4 | 4 | 4 | 4 | |
| 25 | 92995-08600 | WASHER ARANDELA | 4 | 4 | 4 | 4 | |
| 26 | 6E5-14711-01-5B | MUFFLER 1 SILENCIADOR 1 | 1 | 1 | 1 | 1 | |

C4

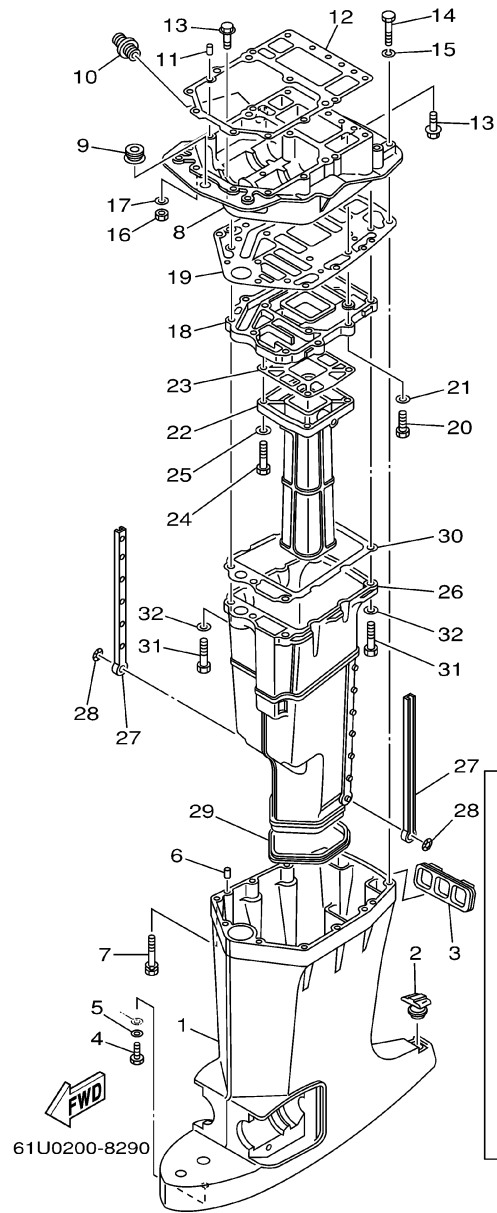
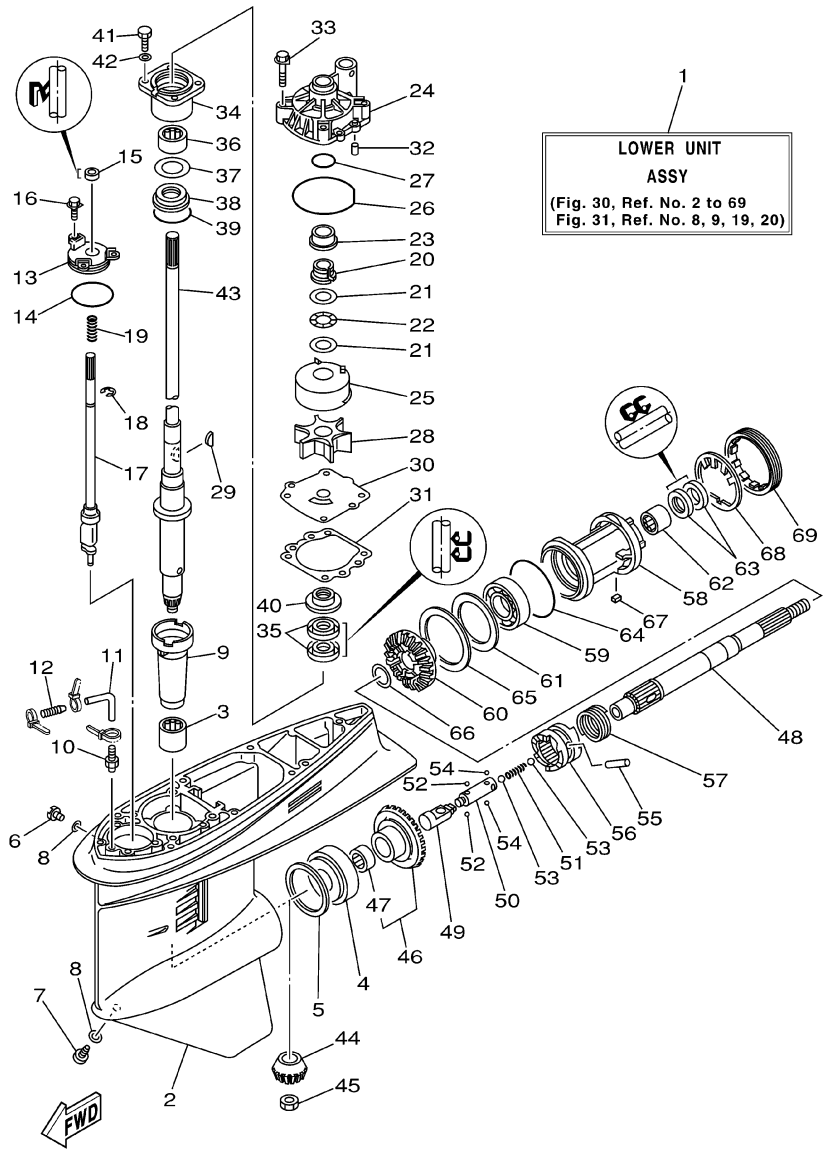


FIG. 29 UPPER CASING

FUNDA SUPERIOR

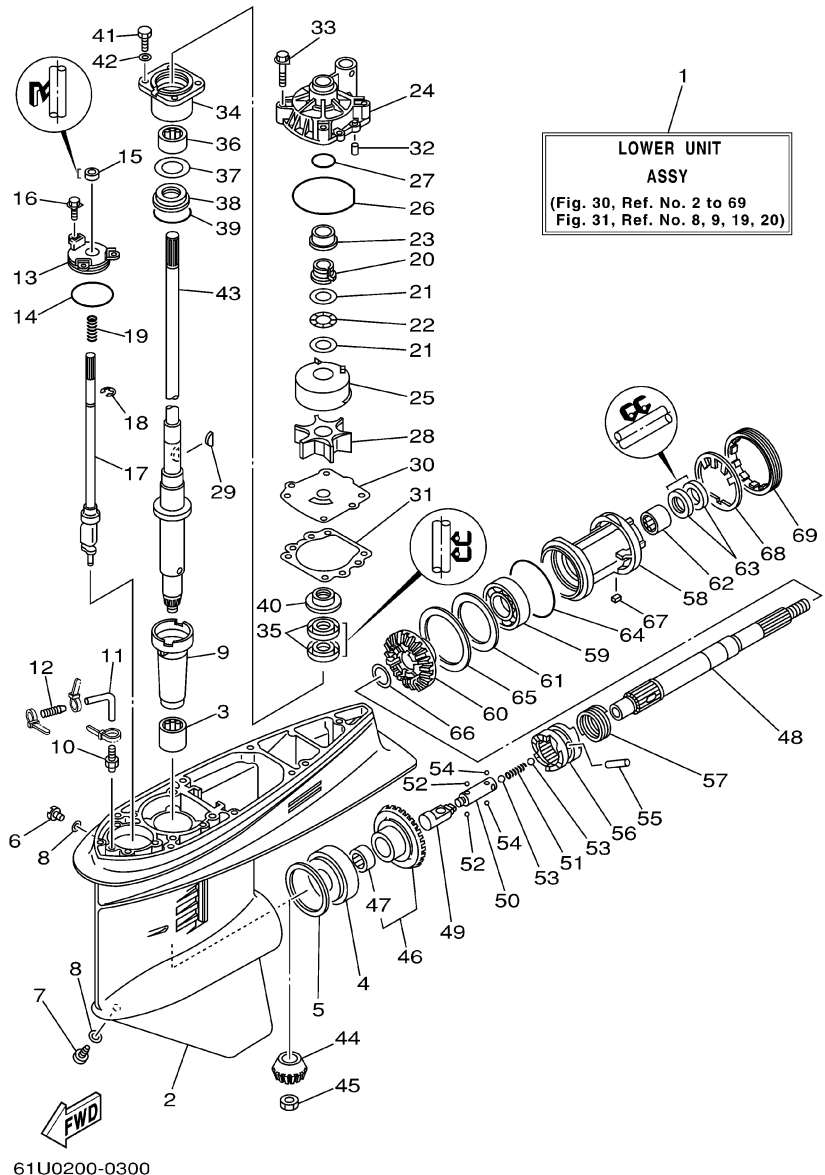
| REF. NO. | PART NO. CODIGO NO. | DESCRIPTION DESCRIPTION | ET | E | WH | MH | REMARKS OBSERVACION |
|----------|---------------------|--|----|---|----|----|---------------------|
| 27 | 6E5-14737-00 | DAMPER, MUFFLER AMORTIGUADOR DE SILENCIADOR | 2 | 2 | 2 | 2 | |
| 28 | 90183-05M02 | NUT, SPRING TUERCA DE RESORTE | 2 | 2 | 2 | 2 | |
| 29 | 6E5-45123-00 | GASKET, MUFFLER EMPAQUE SILENCIADOR | 1 | 1 | 1 | 1 | |
| 30 | 6E5-41135-A0 | GASKET, EXHAUST MANIFOLD EMPAQUE | 1 | 1 | 1 | 1 | |
| 31 | 97095-08045 | BOLT PERNO | 5 | 5 | 5 | 5 | |
| 32 | 92995-08600 | WASHER ARANDELA | 5 | 5 | 5 | 5 | |
| 33 | 6E5-45318-00 | BUSHING, DRIVE SHAFT BUJE, EJE DE MANDO | 1 | 1 | 1 | 1 | X |
| 34 | 93420-36M01 | CIRCLIP BOLA | 1 | 1 | 1 | 1 | X |
| 35 | 6E5-45211-00-4D | EXTENSION EXTENSION | | | 1 | 1 | Y |
| 36 | 93608-12M05 | PIN, DOWEL PASADOR DE CLAVIJA | | | 4 | 4 | Y |
| 37 | 90116-10M38 | BOLT, STUD ESPARRAGO | | | 6 | 6 | Y |
| 38 | 90101-10M02 | BOLT TORNILLO | | | 1 | 1 | Y |
| 39 | 92990-10600 | WASHER, PLATE ARANDELA | | | 7 | 7 | Y |
| 40 | 92990-10100 | WASHER, SPRING ARANDELA | | | 7 | 7 | Y |
| 41 | 95380-10600 | NUT TUERCA | | | 6 | 6 | Y |



61U0200-0300

FIG. 30 LOWER CASING, DRIVE 1 IMPULSOR E INFERIOR 1

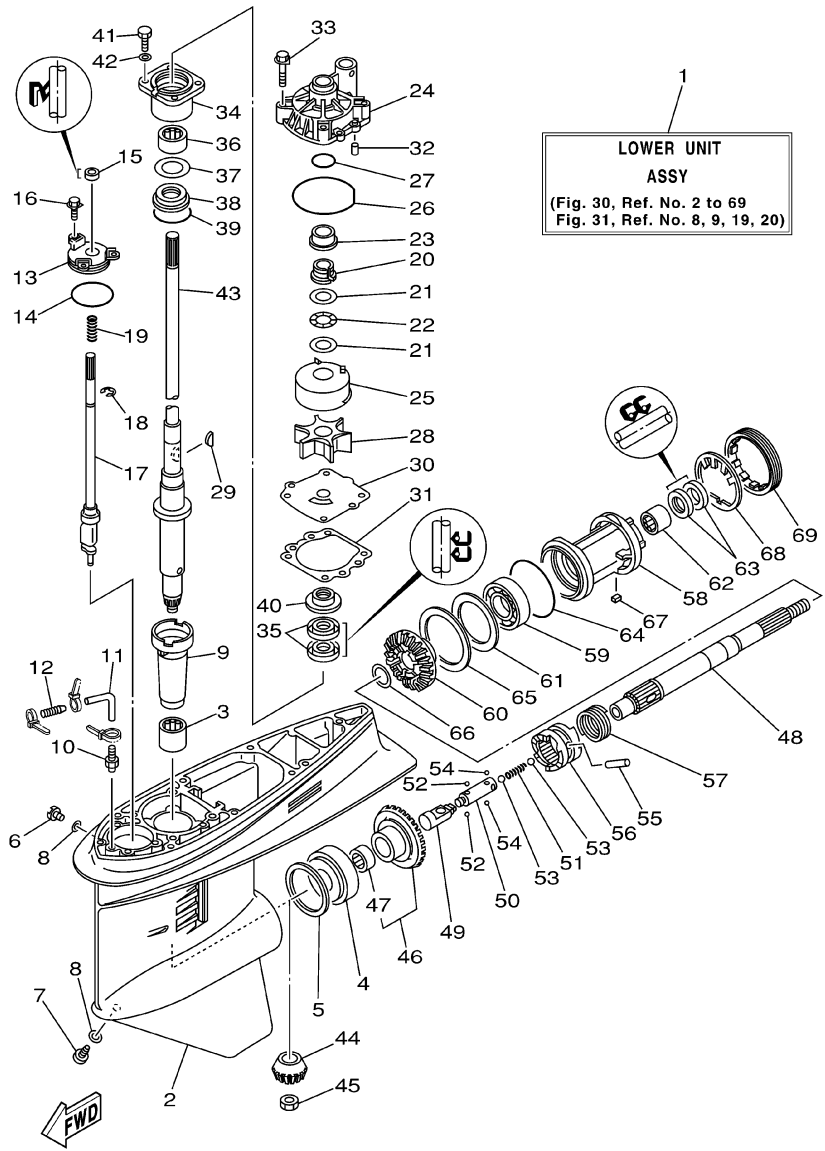
| REF. NO. | PART NO. CODIGO NO. | DESCRIPTION DESCRIPTION | ET | E | WH | MH | REMARKS OBSERVACION |
|----------|---------------------|--|----|---|----|----|---------------------|
| 1 | 61U-45300-12-8D | LOWER UNIT ASSY CONJUNTO UNIDAD INFERIOR | 1 | 1 | 1 | 1 | L |
| | 61U-45300-32-8D | LOWER UNIT ASSY CONJUNTO UNIDAD INFERIOR | | | 1 | 1 | Y |
| | 61U-45300-22-8D | LOWER UNIT ASSY CONJUNTO UNIDAD INFERIOR | 1 | 1 | 1 | 1 | X |
| 2 | 6E5-45301-04-8D | CASING, LOWER FUNDA INFERIOR COMPLETA | 1 | 1 | 1 | 1 | |
| 3 | 93315-628U9 | BEARING COJINETE | 1 | 1 | 1 | 1 | |
| 4 | 93332-000U7 | BEARING COJINETE | 1 | 1 | 1 | 1 | |
| 5 | 6E5-45567-01-10 | SHIM (T:0.10MM) LAMINA (T:0.10MM) | 1 | 1 | 1 | 1 | UR |
| | 6E5-45567-01-12 | SHIM (T:0.12MM) LAINA (T:0.12MM) | 1 | 1 | 1 | 1 | UR |
| | 6E5-45567-01-15 | SHIM (T:0.15MM) LAINA (T:0.15MM) | 1 | 1 | 1 | 1 | UR |
| | 6E5-45567-01-18 | SHIM (T:0.18MM) LAINA (T:0.18MM) | 1 | 1 | 1 | 1 | UR |
| | 6E5-45567-01-30 | SHIM (T:0.30MM) LAINA (T:0.30MM) | 1 | 1 | 1 | 1 | UR |
| | 6E5-45567-01-40 | SHIM (T:0.40MM) LAINA (T:0.40MM) | 1 | 1 | 1 | 1 | UR |
| | 6E5-45567-01-50 | SHIM (T:0.50MM) LAINA (T:0.50MM) | 1 | 1 | 1 | 1 | UR |
| 6 | 90340-08002 | PLUG, STRAIGHT SCREW TORNILLO, DE DRENAJE | 1 | 1 | 1 | 1 | |
| 7 | 688-45341-10 | PLUG, DRAIN TAPON, DREN | 1 | 1 | 1 | 1 | |
| 8 | 90430-08020 | GASKET JUNTA | 2 | 2 | 2 | 2 | |
| 9 | 6E5-45536-00 | SLEEVE, DRIVE SHAFT CAMISA EJE DE MANDO | 1 | 1 | 1 | 1 | |
| 10 | 6E5-45378-00 | NIPPLE, HOSE NIPLE MANGUERA | 1 | 1 | 1 | 1 | |
| 11 | 90445-07ME8 | HOSE (L80) TUBO (L80) | 1 | 1 | 1 | 1 | L |
| | 90445-07ME9 | HOSE (L120) TUBO (L120) | 1 | 1 | 1 | 1 | X/Y |
| 12 | 6E5-83558-10 | END, NIPPLE EXTREMO DE NIPLE | 1 | 1 | 1 | 1 | |
| | 6E5-83558-00 | END, NIPPLE EXTREMO DE NIPLE | 1 | 1 | | | FOR TUNA |
| 13 | 6E5-45321-00 | PLATE PLACA | 1 | 1 | 1 | 1 | |
| 14 | 93210-58144 | O-RING ANILLO O | 1 | 1 | 1 | 1 | |
| 15 | 93106-09014 | OIL SEAL SELLO ACEITE | 1 | 1 | 1 | 1 | |
| 16 | 90119-06M10 | BOLT, WITH WASHER TORNILLO CON ARANDELA | 3 | 3 | 3 | 3 | |
| 17 | 6E5-44150-02 | SHIFT CAM ASSY CONJUNTO EJE LEVA COMPL. | 1 | 1 | 1 | 1 | |



61U0200-0300

FIG. 30 LOWER CASING, DRIVE 1 IMPULSOR E INFERIOR 1

| REF. NO. | PART NO. CODIGO NO. | DESCRIPTION DESCRIPTION | ET | E | WH | MH | REMARKS OBSERVACION |
|----------|---------------------|---|----|---|----|----|---------------------|
| 18 | 99001-08600 | CIRCLIP BOLA | 1 | 1 | 1 | 1 | |
| 19 | 90501-11M10 | SPRING, COMPRESSION RESORTE DE COMPRESION | 1 | 1 | 1 | 1 | |
| 20 | 61A-45538-00 | SPACER 1 ESPACIADOR 1 | 1 | 1 | 1 | 1 | |
| 21 | 90201-22M01 | WASHER, PLATE ARANDELA PLANA | 2 | 2 | 2 | 2 | |
| 22 | 90206-22M19 | WASHER, WAVE ARANDELA ONDULADA | 1 | 1 | 1 | 1 | |
| 23 | 61A-45527-00 | COLLAR, DRIVE SHAFT COLLAR EJE FLECHA DE PROPULSION | 1 | 1 | 1 | 1 | |
| 24 | 61A-44311-01 | HOUSING, WATER PUMP CAJA BOMBA DE AGUA | 1 | 1 | 1 | 1 | |
| 25 | 6R3-44322-42 | INSERT, CARTRIDGE CARTUCHO | 1 | 1 | 1 | 1 | FOR CHROMATE |
| 26 | 93210-86M38 | O-RING ANILLO O | 1 | 1 | 1 | 1 | |
| 27 | 93210-37160 | O-RING ANILLO O | 1 | 1 | 1 | 1 | |
| 28 | 6E5-44352-01 | IMPELLER IMPULSOR | 1 | 1 | 1 | 1 | |
| 29 | 90280-04M05 | KEY, WOODRUFF CUNA WOODRUFF | 1 | 1 | 1 | 1 | |
| 30 | 6E5-44323-40 | OUTER PLATE, CARTRIDGE PLACA EXTERIOR DEL CARTUCHO | 1 | 1 | 1 | 1 | FOR CHROMATE |
| 31 | 6E5-44315-A0 | GASKET, WATER PUMP EMPAQUE | 1 | 1 | 1 | 1 | |
| 32 | 93606-12019 | PIN, DOWEL PASADOR DE CLAVIJA | 2 | 2 | 2 | 2 | |
| 33 | 90119-08M14 | BOLT, WITH WASHER TORNILLO CON ARANDELA | 4 | 4 | 4 | 4 | |
| 34 | 6E5-45331-00-94 | HOUSING, BEARING CAJA DE COJINETE | 1 | 1 | 1 | 1 | |
| 35 | 93101-28M16 | OIL SEAL SELLO ACEITE | 2 | 2 | 2 | 2 | |
| 36 | 93317-330U2 | BEARING COJINETE | 1 | 1 | 1 | 1 | |
| 37 | 6E5-45587-01-10 | SHIM (T:0.10MM) LAINA (T:0.10MM) | 1 | 1 | 1 | 1 | UR |
| 37 | 6E5-45587-01-12 | SHIM (T:0.12MM) LAINA (T:0.12MM) | 1 | 1 | 1 | 1 | UR |
| 37 | 6E5-45587-01-15 | SHIM (T:0.15MM) LAINA (T:0.15MM) | 1 | 1 | 1 | 1 | UR |
| 37 | 6E5-45587-01-18 | SHIM (T:0.18MM) LAINA (T:0.18MM) | 1 | 1 | 1 | 1 | UR |
| 37 | 6E5-45587-01-30 | SHIM (T:0.30MM) LAINA (T:0.30MM) | 1 | 1 | 1 | 1 | UR |
| 37 | 6E5-45587-01-40 | SHIM (T:0.40MM) LAINA (T:0.40MM) | 1 | 1 | 1 | 1 | UR |
| 37 | 6E5-45587-01-50 | SHIM (T:0.50MM) LAINA (T:0.50MM) | 1 | 1 | 1 | 1 | UR |
| 38 | 93341-930V2 | BEARING COJINETE | 1 | 1 | 1 | 1 | |

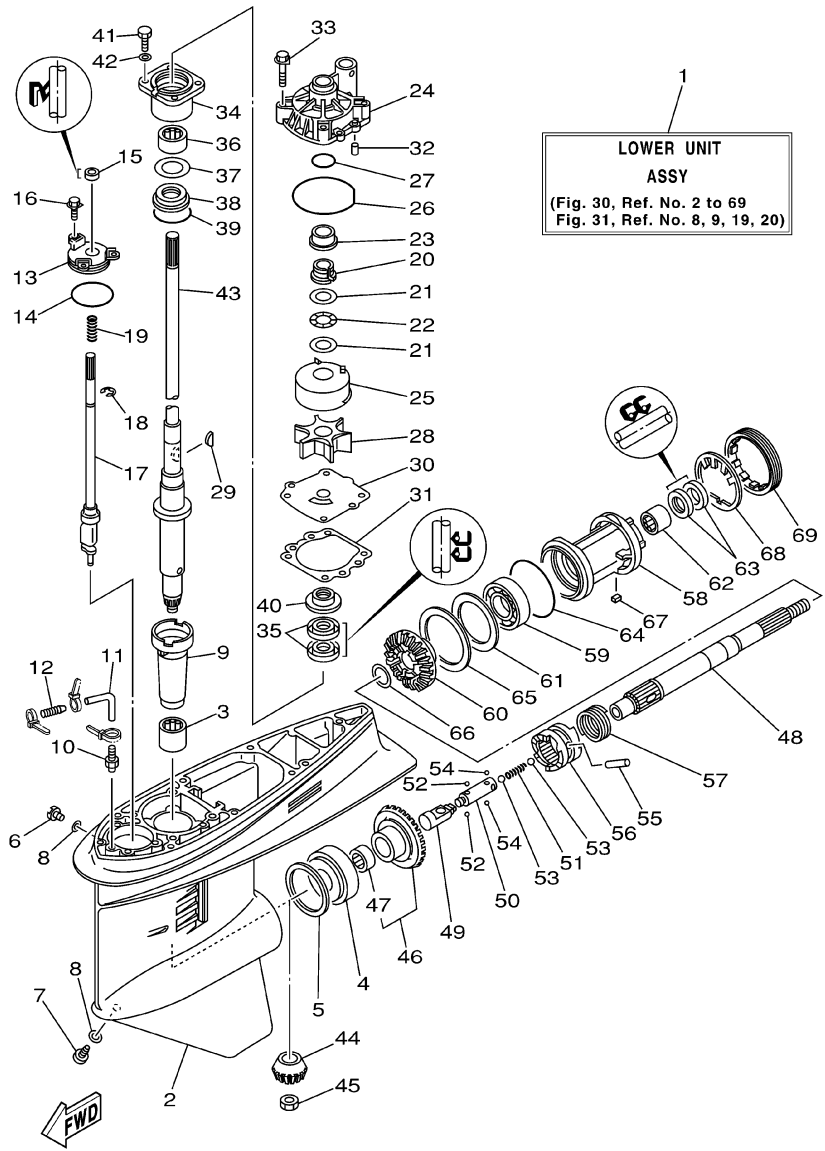


61U0200-0300

FIG. 30 LOWER CASING, DRIVE 1 IMPULSOR E INFERIOR 1

| REF. NO. | PART NO. CODIGO NO. | DESCRIPTION DESCRIPTION | ET | E | WH | MH | REMARKS OBSERVACION |
|----------|---------------------|--|----|---|----|----|---------------------|
| 39 | 93210-55M14 | O-RING ANILLO O | 1 | 1 | 1 | 1 | |
| 40 | 6E5-45344-00 | COVER, OIL SEAL CUBIERTA SELLO ACEITE | 1 | 1 | 1 | 1 | |
| 41 | 97095-08025 | BOLT PERNO | 4 | 4 | 4 | 4 | |
| 42 | 92995-08600 | WASHER ARANDELA | 4 | 4 | 4 | 4 | |
| 43 | 6E5-45501-01 | DRIVE SHAFT COMP. EJE DE MANDO COMPL. | 1 | 1 | 1 | 1 | L |
| | 6E5-45501-11 | DRIVE SHAFT COMP. EJE DE MANDO COMPL. | | | 1 | 1 | Y |
| | 6E5-45501-21 | DRIVE SHAFT COMP. EJE DE MANDO COMPL. | 1 | 1 | 1 | 1 | X |
| 44 | 6E5-45551-02 | PINION PINON | 1 | 1 | 1 | 1 | |
| 45 | 90170-16M01 | NUT TUERCA | 1 | 1 | 1 | 1 | |
| 46 | 6E5-45560-01 | GEAR ENGRANE COMPLE 1 | 1 | 1 | 1 | 1 | |
| 47 | 93315-425U7 | BEARING COJINETE | 1 | 1 | 1 | 1 | |
| 48 | 6E5-45611-01 | SHAFT, PROPELLER EJE PROPUSOR | 1 | 1 | 1 | 1 | |
| 49 | 6E5-45641-02 | SHIFTER CAMBIO | 1 | 1 | 1 | 1 | |
| 50 | 6E5-45634-01 | SLIDE, SHIFT DESLIZADOR, CAMBIO | 1 | 1 | 1 | 1 | |
| 51 | 90501-16M37 | SPRING, COMPRESSION RESORTE DE COMPRESION | 1 | 1 | 1 | 1 | |
| 52 | 93507-32009 | BALL BOLA | 2 | 2 | 2 | 2 | |
| 53 | 93511-32017 | BALL BOLA | 2 | 2 | 2 | 2 | |
| 54 | 93503-16003 | BALL BOLA | 2 | 2 | 2 | 2 | |
| 55 | 90250-08M07 | PIN, STRAIGHT PASADOR CILINDRICO | 1 | 1 | 1 | 1 | |
| 56 | 6E5-45631-01 | CLUTCH, DOG EMBRAGUE DE GARRA | 1 | 1 | 1 | 1 | |
| 57 | 6E5-45633-01 | RING, CROSS PIN ANILLO DE PASADOR | 1 | 1 | 1 | 1 | |
| 58 | 6E5-45332-00-94 | HOUSING, BEARING CAJA BALERO 2 | 1 | 1 | 1 | 1 | |
| 59 | 93306-208U0 | BEARING COJINETE | 1 | 1 | 1 | 1 | |
| 60 | 6E5-45571-01 | GEAR ENGRANAJE | 1 | 1 | 1 | 1 | |
| 61 | 6E5-45576-00 | WASHER, THRUST ARANDELA DE EMPUJE AXIAL | 1 | 1 | 1 | 1 | |
| 62 | 93315-430U8 | BEARING COJINETE | 1 | 1 | 1 | 1 | |
| 63 | 93101-30M17 | OIL SEAL SELLO ACEITE | 2 | 2 | 2 | 2 | |

D1

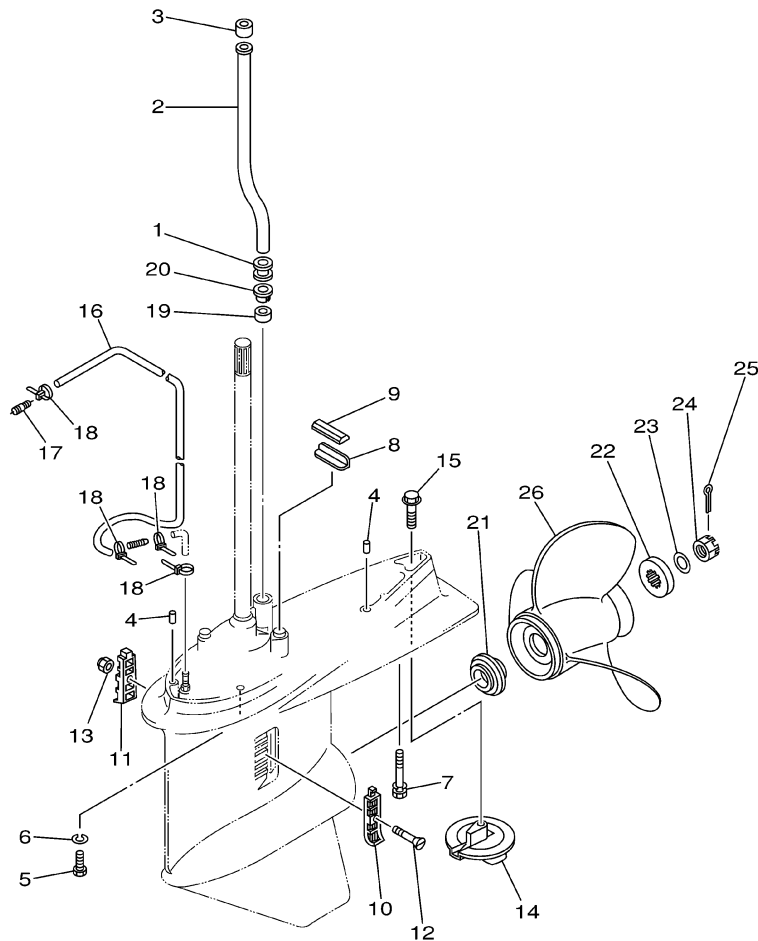


61U0200-0300

FIG. 30 LOWER CASING, DRIVE 1 IMPULSOR E INFERIOR 1

| REF. NO. | PART NO. CODIGO NO. | DESCRIPTION DESCRIPTION | ET | E | WH | MH | REMARKS OBSERVACION |
|----------|---------------------|----------------------------------|----|---|----|----|---------------------|
| 64 | 93210-86M39 | O-RING ANILLO O | 1 | 1 | 1 | 1 | |
| 65 | 6L6-45577-00-10 | SHIM (T:0.10MM) LAINA (T:0.10MM) | 1 | 1 | 1 | 1 | UR |
| | 6L6-45577-00-12 | SHIM (T:0.12MM) LAINA (:0.12MM) | 1 | 1 | 1 | 1 | UR |
| | 6L6-45577-00-15 | SHIM (T:0.15MM) LAINA (T:0.15MM) | 1 | 1 | 1 | 1 | UR |
| | 6L6-45577-00-18 | SHIM (T:0.18MM) LAINA (T:0.18MM) | 1 | 1 | 1 | 1 | UR |
| | 6L6-45577-00-30 | SHIM (T:0.30MM) LAINA (T:0.30MM) | 1 | 1 | 1 | 1 | UR |
| | 6L6-45577-00-40 | SHIM (T:0.40MM) LAINA (T:0.40MM) | 1 | 1 | 1 | 1 | UR |
| | 6L6-45577-00-50 | SHIM (T:0.50MM) LAINA (T:0.50MM) | 1 | 1 | 1 | 1 | UR |
| 66 | 90201-30M92 | WASHER, PLATE ARANDELA PLANA | 1 | 1 | 1 | 1 | |
| 67 | 90282-04010 | KEY, STRAIGHT CHAVETA, RECTA | 1 | 1 | 1 | 1 | |
| 68 | 688-45383-02 | WASHER, CLAW ARANDELA DE UNA | 1 | 1 | 1 | 1 | |
| 69 | 688-45384-00 | NUT TUERCA | 1 | 1 | 1 | 1 | |

FIG. 31 LOWER CASING, DRIVE 2 IMPULSOR E INFERIOR 2

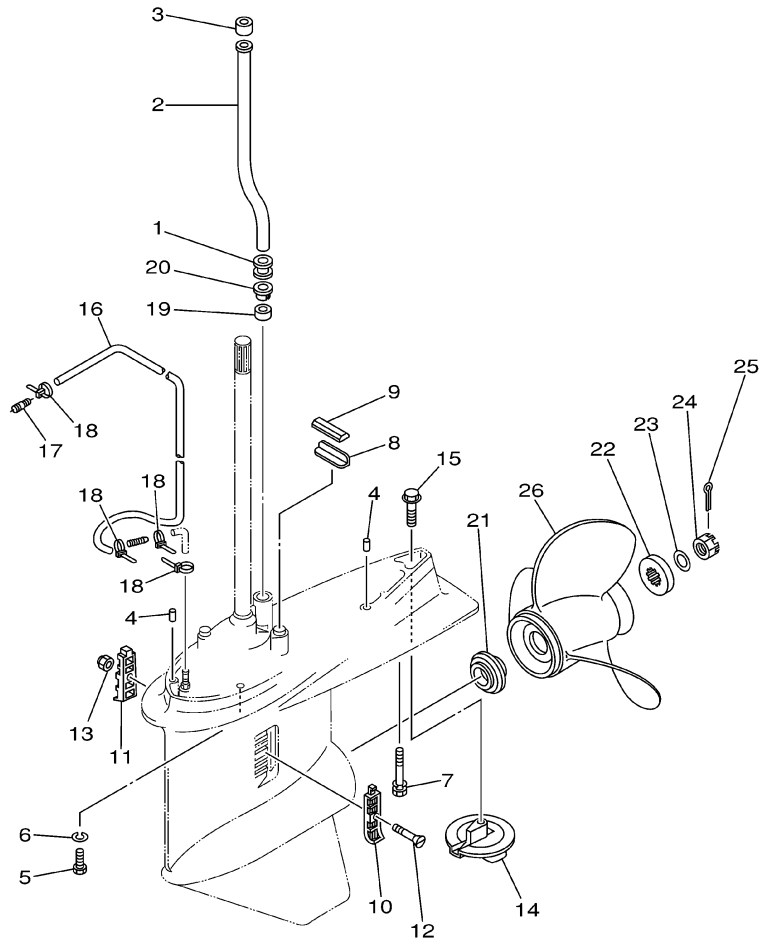


64W0171-0230

| REF. NO. | PART NO. CODIGO NO. | DESCRIPTION DESCRIPTION | ET | E | WH | MH | REMARKS OBSERVACION |
|----------|---------------------|--|----|---|----|----|---------------------|
| 1 | 6E5-44366-00 | DAMPER, WATER SEAL GOMA DEL SELLO DE AGUA | 1 | 1 | 1 | 1 | |
| 2 | 6E5-44361-00 | TUBE, WATER TUBO DE AGUA | 1 | 1 | 1 | 1 | L |
| | 6E5-44361-10 | TUBE, WATER TUBO DE AGUA | | | 1 | 1 | Y |
| | 6E5-44361-20 | TUBE, WATER TUBO DE AGUA | 1 | 1 | 1 | 1 | X |
| 3 | 6E5-44365-00 | DAMPER, WATER SEAL HULE DE SELLO DE AGUA | 1 | 1 | 1 | 1 | |
| 4 | 93608-12M05 | PIN, DOWEL PASADOR DE CLAVIJA | 2 | 2 | 2 | 2 | L/X |
| 5 | 97075-10045 | BOLT PERNO | 6 | 6 | 6 | 6 | L/X |
| 6 | 92995-10100 | WASHER ARANDELA | 6 | 6 | 6 | 6 | L/X |
| 7 | 90119-10M89 | BOLT, WITH WASHER TORNILLO CON ARANDELA | 1 | 1 | 1 | 1 | L/X |
| 8 | 663-45376-00-94 | GUIDE, SEAL DAMPER GUIA DE SELLO GOMA | 1 | 1 | 1 | 1 | |
| 9 | 688-45375-00 | DAMPER, SEAL GOMA DE SELLO | 1 | 1 | 1 | 1 | |
| 10 | 688-45214-02 | COVER, WATER INLET CUBIERTA ENTRADA AGUA | 1 | 1 | 1 | 1 | |
| 11 | 688-45215-02 | COVER, WATER INLET CUBIERTA ENTRADA AGUA | 1 | 1 | 1 | 1 | |
| 12 | 90152-05M07 | SCREW, COUNTERSUNK TORNILLO EMBUTIDO | 1 | 1 | 1 | 1 | |
| 13 | 90185-05002 | NUT, SELF-LOCKING TUERCA AUTOBLOCANTE | 1 | 1 | 1 | 1 | |
| 14 | 6E5-45371-01 | TAB-TRIM QUILLA ESTABILIZADOR | 1 | 1 | 1 | 1 | |
| 15 | 90105-10M00 | BOLT, WASHER BASED TORNILLO CON ARANDELA | 1 | 1 | 1 | 1 | |
| 16 | 90445-07MF0 | HOSE (L1030) TUBO (L1030) | 1 | 1 | 1 | 1 | EXCEPT FOR TUNA |
| 17 | 6E5-83558-00 | END, NIPPLE EXTREMO DE NIPLE | 1 | 1 | 1 | 1 | EXCEPT FOR TUNA |
| 18 | 90465-11M10 | CLAMP BRIDA | 4 | 4 | 4 | 4 | |
| | 90465-11M10 | CLAMP BRIDA | 2 | 2 | | | FOR TUNA |
| 19 | 6E5-44365-00 | DAMPER, WATER SEAL HULE DE SELLO DE AGUA | 1 | 1 | 1 | 1 | |
| 20 | 6E5-44312-00 | COVER, WATER PUMP HOUSING CUBIERTA CAJA BOMBA DE AGUA | 1 | 1 | 1 | 1 | |
| 21 | 6E5-45987-01 | SPACER ESPACIADOR | 1 | 1 | 1 | 1 | |
| 22 | 688-45997-01 | SPACER ESPACIADOR | 1 | 1 | 1 | 1 | |
| 23 | 92990-18200 | WASHER ARANDELA | 1 | 1 | 1 | 1 | |
| 24 | 90171-18M04 | NUT, CASTLE TUERCA ENTALLADA | 1 | 1 | 1 | 1 | |

D3

FIG. 31 LOWER CASING, DRIVE 2 IMPULSOR E INFERIOR 2

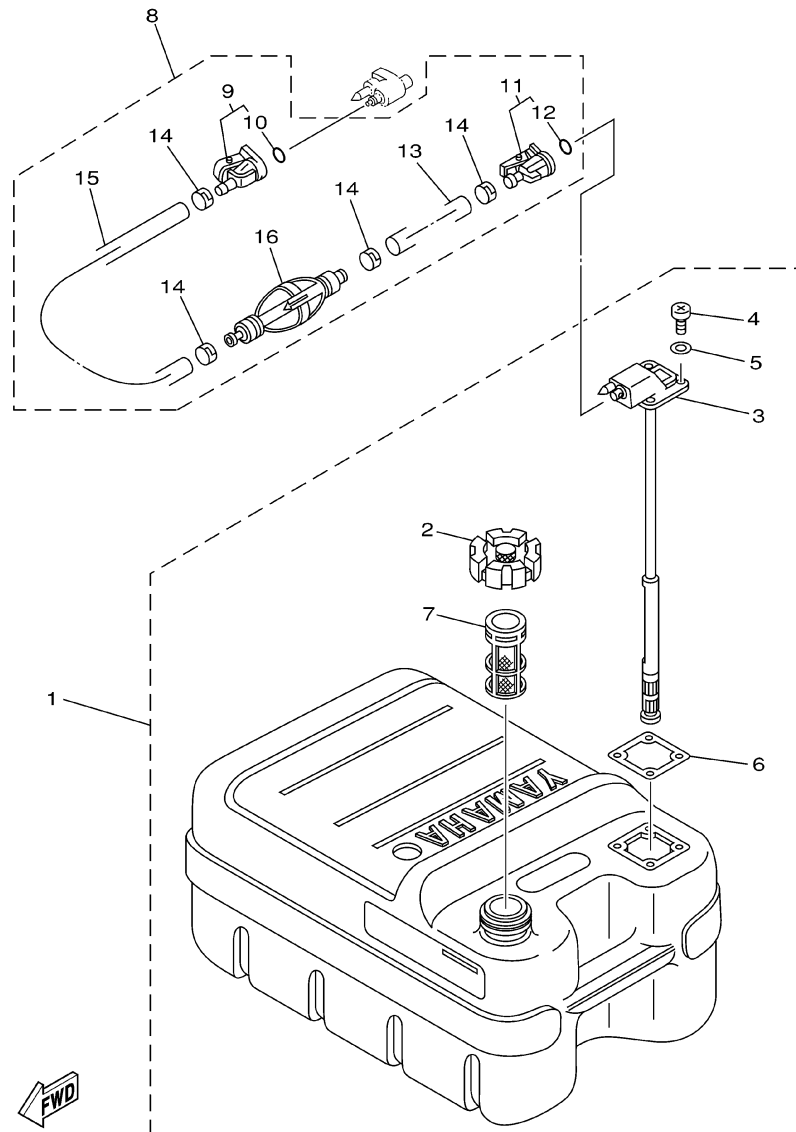


| REF. NO. | PART NO. CODIGO NO. | DESCRIPTION DESCRIPTION | ET | E | WH | MH | REMARKS OBSERVACION |
|----------|---------------------|--|----|---|----|----|---------------------|
| 25 | 91490-40030 | PIN, COTTER PASADOR DE CHAVETA | 1 | 1 | 1 | 1 | |
| 26 | 6E5-45943-00-EL | PROPELLER (3X12-5/8"X21"-K) PROPELA (3X12-5/8"X21"-K) | 1 | 1 | 1 | 1 | UR |
| | 6E5-45945-01-EL | PROPELLER (3X13-1/4"X17"-K) PROPELA (3X13-1/4"X17"-K) | 1 | 1 | 1 | 1 | UR |
| | 6E5-45947-00-EL | PROPELLER (3X13-1/2"X15"-K) PROPELA (3X13-1/2"X15"-K) | 1 | 1 | 1 | 1 | UR |
| | 688-45941-00-EL | PROPELLER (3X13"X19"-K) PROPELA (3X13"X19"-K) | 1 | 1 | 1 | 1 | UR |
| | 688-45930-02-98 | PROPELLER (3X13"X17"-K) PROPELA (3X13"X17"-K) | 1 | 1 | 1 | 1 | UR |
| | 688-45970-03-98 | PROPELLER (3X13"X19"-K) PROPELA (3X13"X19"-K) | 1 | 1 | 1 | 1 | UR |
| | | | | | | | |
| | | | | | | | |
| | | | | | | | |
| | | | | | | | |
| | | | | | | | |
| | | | | | | | |


64W0171-0230

FIG. 32 FUEL TANK

DEPOSITO DE COMBUSTIBLE

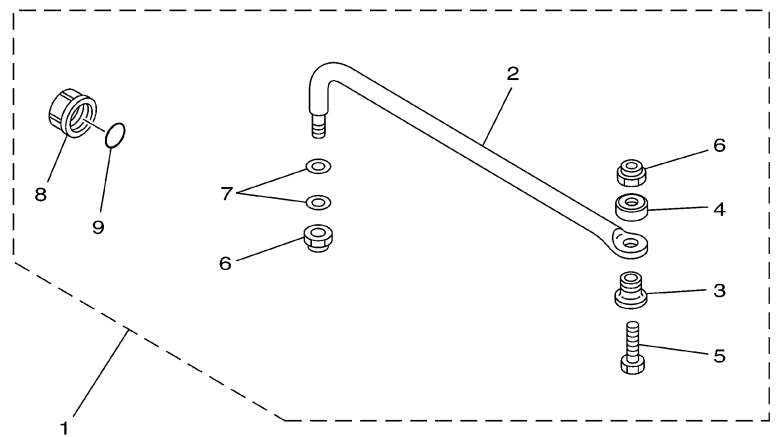


6E50700-0210

| REF. NO. | PART NO. CODIGO NO. | DESCRIPTION DESCRIPTION | ET | E | WH | MH | REMARKS OBSERVACION |
|----------|---------------------|--|----|---|----|----|-----------------------------|
| 1 | 6YJ-24201-00 | FUEL TANK ASSY (24L) TANQUE DEL COMBUSTIBLE (24L) | 1 | 1 | 1 | 1 | AP |
| | 6YJ-24201-10 | FUEL TANK ASSY (24L) TANQUE DEL COMBUSTIBLE (24L) | 1 | | | | AP FOR CHINA WITH INDICATOR |
| 2 | 6YJ-24610-01 | .CAP ASSY .TAPA COMPLETA | 1 | 1 | 1 | 1 | |
| 3 | 6YJ-24260-00 | .FUEL METER ASSY .MEDIDOR DE COMBUSTIBLE COMPL. | 1 | 1 | 1 | 1 | |
| | 6Y1-24260-12 | .FUEL METER ASSY .MEDIDOR DE COMBUSTIBLE COMPL. | 1 | | | | FOR CHINA WITH INDICATOR |
| 4 | 98586-05016 | .SCREW, PAN HEAD .TORNILLO DE CABEZA CON PLANA | 4 | 4 | 4 | 4 | |
| 5 | 6Y1-24329-00 | .SEAL .SELLO | 4 | 4 | 4 | 4 | |
| 6 | 6Y1-24268-00 | .GASKET, FUEL METER .EMPAQ MEDIDOR DE COMBUSTIBLE | 1 | 1 | 1 | 1 | |
| 7 | 6YJ-24167-00 | .STRAINER .COLADOR | 1 | 1 | 1 | 1 | |
| 8 | 6Y2-24306-07 | FUEL PIPE COMP. 1 TUBO COMBUST. COMPL 1 | 1 | 1 | 1 | 1 | AP |
| 9 | 6E5-24305-04 | .FUEL PIPE JOINT COMP. 2 .CONECTOR MANGUERA COMBUST.2 | 1 | 1 | 1 | 1 | |
| 10 | 93210-08287 | .O-RING .ANILLO O | 1 | 1 | 1 | 1 | |
| 11 | 6Y2-24305-04 | .FUEL PIPE JOINT COMP. 2 .CONECTOR MANGUERA COMBUST.2 | 1 | 1 | 1 | 1 | |
| 12 | 93210-08287 | .O-RING .ANILLO O | 1 | 1 | 1 | 1 | |
| 13 | 90445-13M01 | .HOSE (L:2050) .MANGUERA (L:2050) | 1 | 1 | 1 | 1 | |
| 14 | 6E5-24351-50 | .BAND 1 .ABRAZADERA 1 | 4 | 4 | 4 | 4 | |
| 15 | 90445-13M00 | .HOSE (L:850) .MANGUERA (L:850) | 1 | 1 | 1 | 1 | |
| 16 | 6Y2-24360-02 | .PRIMER PUMP ASSY .SOPORTE BOMBA | 1 | 1 | 1 | 1 | |

FIG. 33 STEERING GUIDE

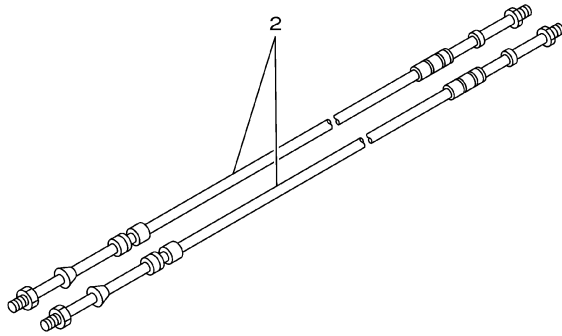
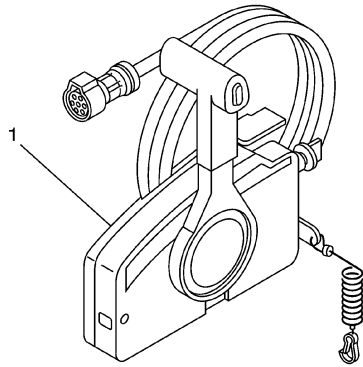
DIRECCIONGUIAR



| REF. NO. | PART NO. CODIGO NO. | DESCRIPTION DESCRIPTION | ET | E | WH | MH | REMARKS OBSERVACION |
|----------|---------------------|---|----|---|----|----|---------------------|
| 1 | 6E5-61350-02 | STEERING GUIDE ATTACHMENT KIT ESTUCHE ADITAMENTO GUIA DE TIM | 1 | | | | AP FOR CHINA |
| 2 | 6E5-61351-01 | .ROD, STEERING LINK .VARILLA ESLABON DIRECCION | 1 | | | | |
| 3 | 90387-10M61 | .COLLAR .CASQUILLO CON VALONA | 1 | | | | |
| 4 | 90560-12M01 | .SPACER .SEPARADOR | 1 | | | | |
| 5 | 6E5-61355-00 | .BOLT .TORNILLO | 1 | | | | |
| 6 | 90185-09M01 | .NUT, SELF-LOCKING .TUERCA AUTOBLOCANTE | 2 | | | | |
| 7 | 90201-10M20 | .WASHER, PLATE .ARANDELA PLANA | 2 | | | | |
| 8 | 6E5-43145-01 | .CAP, CLAMP BRACKET .TAPA | 1 | | | | |
| 9 | 93210-16275 | .O-RING .ANILLO O | 1 | | | | |
| | | | | | | | |
| | | | | | | | |
| | | | | | | | |
| | | | | | | | |
| | | | | | | | |
| | | | | | | | |
| | | | | | | | |
| | | | | | | | |
| | | | | | | | |

67H0100-9290

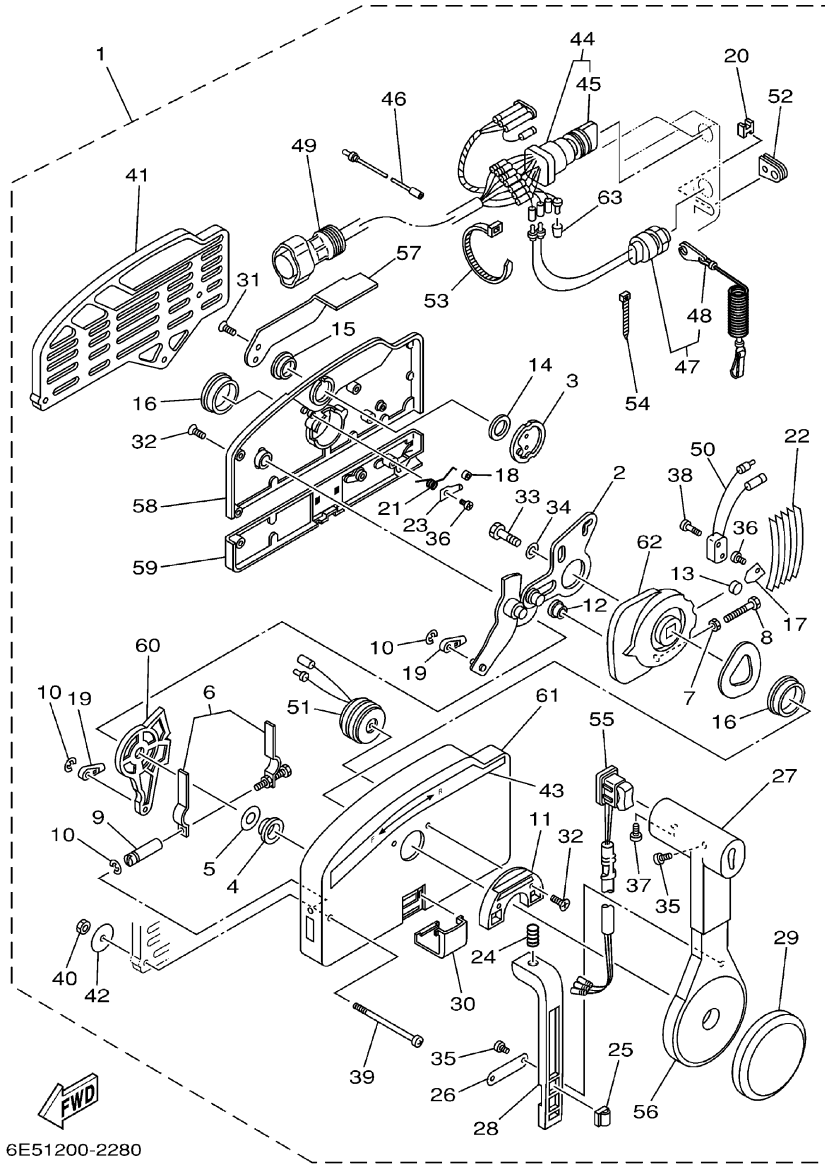
D6



67M0100-8280

FIG. 34 REMOTE CONTROL BOX CONTROL REMOTO COMPL.

| REF. NO. | PART NO. CODIGO NO. | DESCRIPTION DESCRIPTION | ET | E | WH | MH | REMARKS OBSERVACION |
|----------|---------------------|---|----|---|----|----|---------------------|
| 1 | 703-48205-17 | REMOTE CONTROL ASSY REMOTO CONTROL COMPL. | 1 | | | | AP WITH PT/T SW. |
| | 703-48201-16 | REMOTE CONTROL ASSY (10P) REMOTO CONTROL COMPL. | | 1 | | | AP |
| 2 | 701-48320-30 | CABLE, REMOTE CONTROL L=14F CABLE CONTROL REMOTO L=14F | 2 | 2 | | | UR |
| | 701-48320-40 | CABLE, REMOTE CONTROL L=19F CABLE CONTROL REMOTO L=19F | 2 | 2 | | | UR |
| | 701-48320-50 | CABLE, REMOTE CONTROL L=15F CABLE CONTROL REMOTO L=15F | 2 | 2 | | | UR |
| | 701-48320-80 | CABLE, REMOTE CONTROL L=17F CABLE CONTROL REMOTO L=17F | 2 | 2 | | | UR |
| | | | | | | | |
| | | | | | | | |
| | | | | | | | |
| | | | | | | | |
| | | | | | | | |
| | | | | | | | |

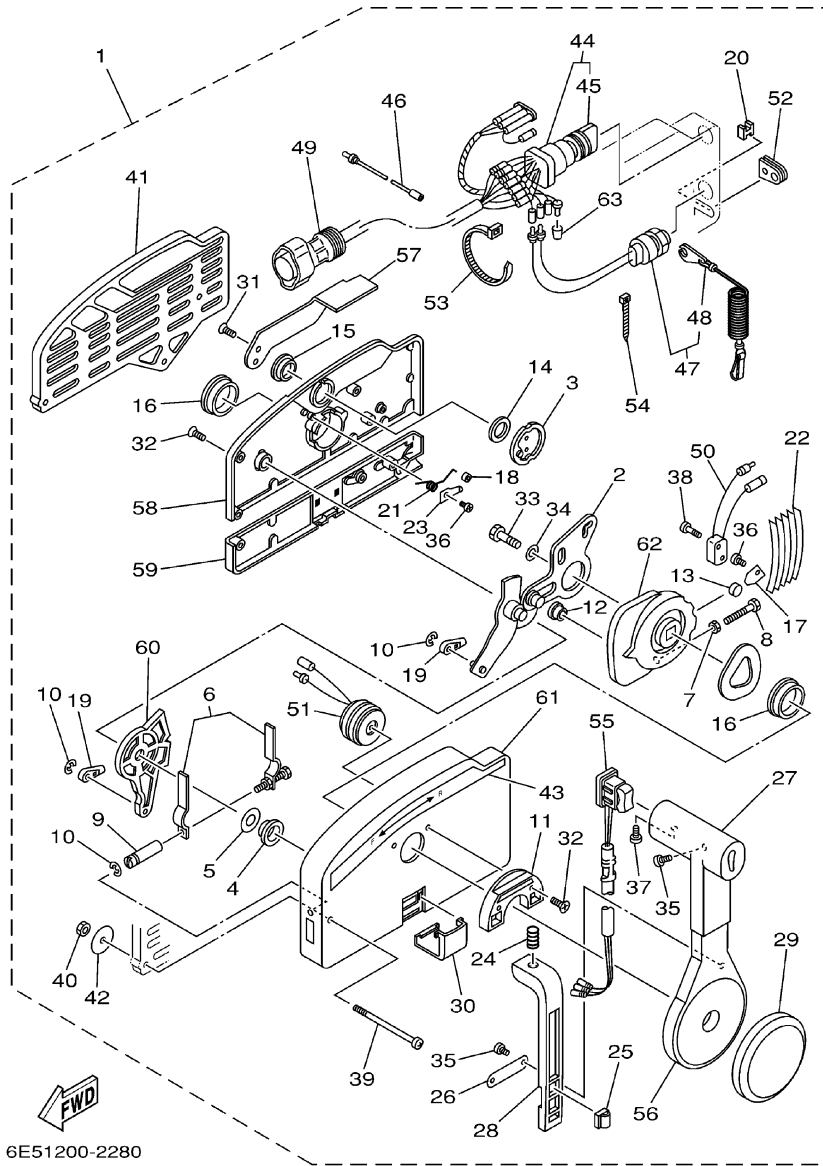


6E51200-2280

FIG. 35 REMOTE CONTROL ASSY CONTROL REMOTO COMPL.

| REF. NO. | PART NO. CODIGO NO. | DESCRIPTION DESCRIPTION | E1 | E | WH | MH | REMARKS OBSERVACION |
|----------|---------------------|--|----|---|----|----|---------------------|
| 1 | 703-48205-17 | REMOTE CONTROL ASSY REMOTO CONTROL COMPL. | 1 | | | | AP WITH PT/T SW. |
| | 703-48201-16 | REMOTE CONTROL ASSY (10P) REMOTO CONTROL COMPL. | | 1 | | | AP |
| 2 | 703-48261-01 | .ARM, THROTTLE .BRAZO ACELERADOR | 1 | 1 | | | |
| 3 | 703-48153-00 | .SHAFT, FREE ACCEL. .EJE | 1 | 1 | | | |
| 4 | 703-48235-00 | .BUSHING .BUJE | 1 | 1 | | | |
| 5 | 703-48268-00 | .SPACER .ESPACIADOR 3 | 1 | 1 | | | |
| 6 | 703-48264-00 | .THROTTLE, FRICTION .FRICCION ACELERADOR | 1 | 1 | | | |
| 7 | 95380-05600 | .NUT .TUERCA | 1 | 1 | | | |
| 8 | 97380-05025 | .BOLT .PERNO | 1 | 1 | | | |
| 9 | 703-48265-00 | .SHAFT, FRICTION .EJE FRICCION | 1 | 1 | | | |
| 10 | 93430-06024 | .CIRCLIP .BOLA | 3 | 3 | | | |
| 11 | 703-48245-00 | .PLATE, LOCK .PLACA CERRADURA | 1 | 1 | | | |
| 12 | 703-48252-00 | .ROLLER, CAM .RODILLO LEVA | 1 | 1 | | | |
| 13 | 701-48248-00 | .ROLLER, FREE ACCEL. .RODILLO ACELERADOR LIBRE | 1 | 1 | | | |
| 14 | 703-48198-00 | .WASHER, WAVE .RONDANA ONDULADA 3 | 1 | 1 | | | |
| 15 | 703-48243-00 | .BUSHING .BUJE 3 | 1 | 1 | | | |
| 16 | 703-48236-00 | .BUSHING 1 .BUJE | 2 | 2 | | | |
| 17 | 703-48189-00 | .RETAINER .RETENEDOR | 1 | 1 | | | |
| 18 | 703-48234-00 | .ROLLER, DETENT .RODILLO | 1 | 1 | | | |
| 19 | 703-48345-01 | .CABLE END, REMOTE CONTROL 2 .TERMINAL CABLE DE CONTROL REM | 2 | 2 | | | |
| 20 | 703-48358-00 | .ANCHOR, CABLE ABRAZADERA CABLE | 1 | 1 | | | |
| 21 | 703-48244-00 | .SPRING, FREE ACCEL. .RESORTE ACELERADOR LIBRE | 1 | 1 | | | |
| 22 | 703-48238-00 | .SPRING, DETENT .RESORTE | 5 | 5 | | | |
| 23 | 703-48246-00 | .SPACER .ESPACIADOR | 1 | 1 | | | |
| 24 | 703-48227-00 | .SPRING, NEUTRAL LOCK .RESORTE DE SEGURO | 1 | 1 | | | |
| 25 | 703-82594-00 | .CLAMP .GRAMPA | 1 | | | | WITH PT/T SW. |
| 26 | 703-48226-00 | .PLATE, STOPPER .PLACA RETEN | 1 | 1 | | | |

E1

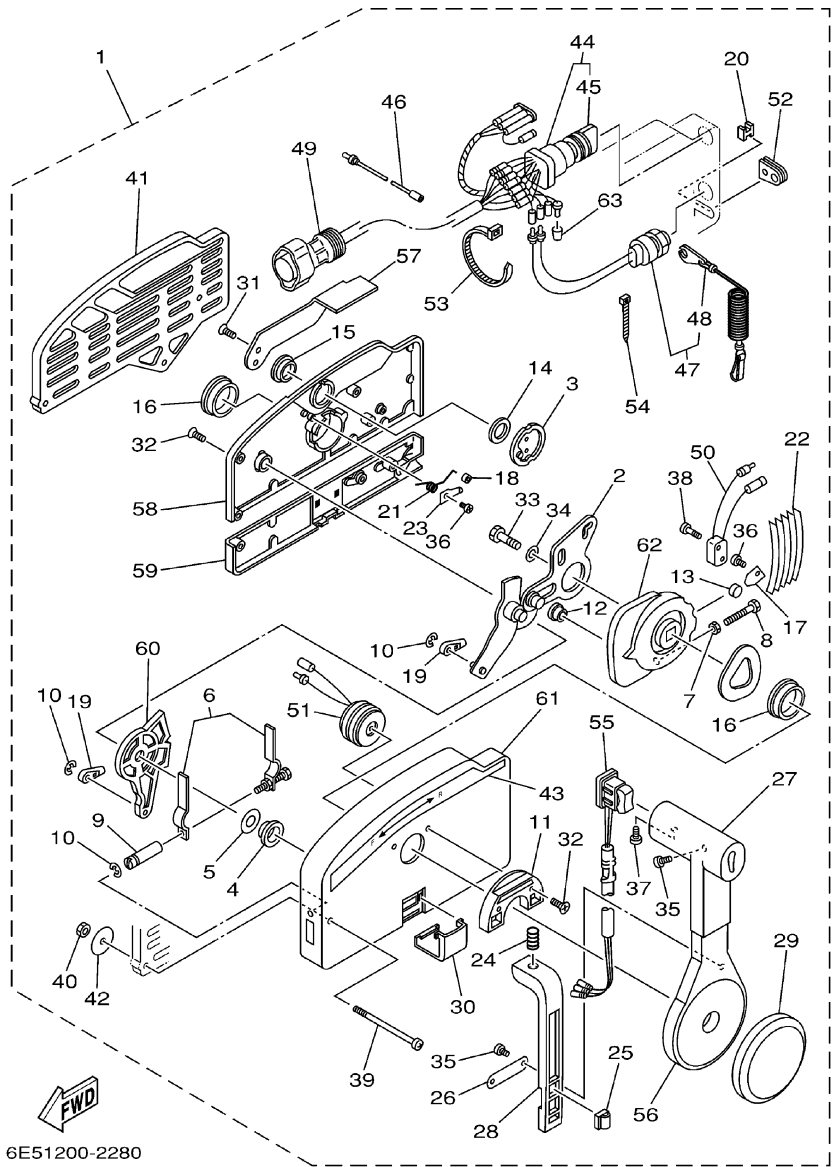


6E51200-2280

FIG. 35 REMOTE CONTROL ASSY CONTROL REMOTO COMPL.

| REF. NO. | PART NO. CODIGO NO. | DESCRIPTION DESCRIPTION | ET | E | WH | MH | REMARKS OBSERVACION |
|----------|---------------------|--|----|---|----|----|---------------------|
| 27 | 703-48222-00 | .GRIP, CONTROL LEVER .MANGO DE PALANCA CONTROL | 1 | 1 | | | SINGLE |
| 28 | 703-48223-00 | .LOCK, NEUTRAL .CERRADURA NEUTRO | 1 | 1 | | | |
| 29 | 703-48225-00 | .COVER .CUBIERTA | 1 | 1 | | | |
| 30 | 703-48219-00 | .COVER, LEAD .CUBIERTA | 1 | 1 | | | |
| 31 | 703-48281-00 | .SCREW .TORNILLO 1 | 2 | 2 | | | |
| 32 | 703-48282-00 | .SCREW .TORNILLO 2 | 7 | 7 | | | |
| 33 | 97380-08030 | .BOLT .PERNO | 1 | 1 | | | |
| 34 | 92990-08600 | .WASHER, PLATE .ARANDELA | 1 | 1 | | | |
| 35 | 98580-04010 | .SCREW, PAN HEAD .TORNILLO DE CABEZA CON PLANA | 3 | 3 | | | |
| 36 | 98580-04006 | .SCREW, PAN HEAD .TORNILLO DE CABEZA CON PLANA | 2 | 2 | | | |
| 37 | 98580-05010 | .SCREW, PAN HEAD .TORNILLO DE CABEZA CON PLANA | 1 | 1 | | | |
| 38 | 98580-03015 | .SCREW, PAN HEAD .TORNILLO DE CABEZA CON PLANA | 2 | 2 | | | |
| 39 | 703-48291-10 | .SCREW (M6) .TORNILLO (M6) | 3 | 3 | | | |
| 40 | 95380-06600 | .NUT, HEXAGON .TUERCA | 3 | 3 | | | |
| 41 | 703-48293-10 | .SPACER, REMOTE CONTROL .ESPACIADOR | 1 | 1 | | | SINGLE |
| 42 | 701-48287-00 | .WASHER .ARANDELA | 3 | 3 | | | |
| 43 | 703-48215-00 | .GRAPHIC .CALCOMANIA 1 | 1 | 1 | | | |
| 44 | 703-82510-43 | .MAIN SWITCH ASSY .CONJUNTO DE LLAVE IGNICION | 1 | 1 | | | |
| 45 | 703-82577-00 | .CAP, KEY .TAPA | 1 | 1 | | | |
| 46 | 703-82531-00 | .WIRE, LEAD .CABLE CONDUCTOR | 1 | 1 | | | |
| 47 | 688-82575-01 | .ENGINE STOP SWITCH ASSY .INTERRUPTOR DE PARADA COMPL | 1 | 1 | | | |
| 48 | 682-82556-00 | .STOPPER .RETEN | 1 | 1 | | | |
| 49 | 688-8258A-20 | .EXTENSION, WIRE HARNESS .EXTENSION, ARNES DE CABLES | 1 | 1 | | | L:5M (10P) |
| 50 | 703-82540-00 | .NEUTRAL SWITCH ASSY .INTERRUPTOR NEUTRAL COMPL | 1 | 1 | | | |
| 51 | 703-83383-02 | .BUZZER .ZUMBADOR | 1 | 1 | | | |
| 52 | 703-48284-00 | .GRÖMMET .TAPON 1 | 1 | 1 | | | |
| 53 | 703-82591-00 | .BAND .BANDA | 1 | 1 | | | |

FIG. 35 REMOTE CONTROL ASSY CONTROL REMOTO COMPL.



6E51200-2280

| REF. NO. | PART NO. CODIGO NO. | DESCRIPTION DESCRIPTION | ET | E | WH | MH | REMARKS OBSERVACION |
|----------|---------------------|---|----|---|----|----|---------------------|
| 54 | 703-82592-00 | .BAND .BANDA | 1 | 1 | | | |
| 55 | 703-82563-02 | .TRIM & TILT SWITCH ASSY .INTERRUPTOR DE INCLINACION | 1 | | | | WITH PT/T SW. |
| | 703-48224-00 | .COVER, CONTROL LEVER .CUBIERTA DE PALANCA CONTROL | | 1 | | | WITHOUT PT/T SW. |
| 56 | 703-48221-00 | .LEVER, CONTROL .PALANCA CONTROL | 1 | 1 | | | |
| 57 | 703-48152-00 | .KNOB, FREE ACCEL. .PERILLA | 1 | 1 | | | |
| 58 | 703-48212-00 | .BACK PLATE 1 .PLACA TRASERA 1 | 1 | 1 | | | |
| 59 | 703-48213-00 | .BACK PLATE 2 .PLACA TRASERA 2 | 1 | 1 | | | |
| 60 | 703-48271-00 | .ARM, SHIFT .BRAZO CAMBIADOR | 1 | 1 | | | |
| 61 | 703-48211-01 | .HOUSING,1 .CAJA | 1 | 1 | | | |
| 62 | 703-48232-00 | .GEAR .ENGRANAJE 1 | 1 | 1 | | | |
| 63 | 703-82542-00 | .CAP .TAPA | | 2 | | | FOR 703-48201-16 |

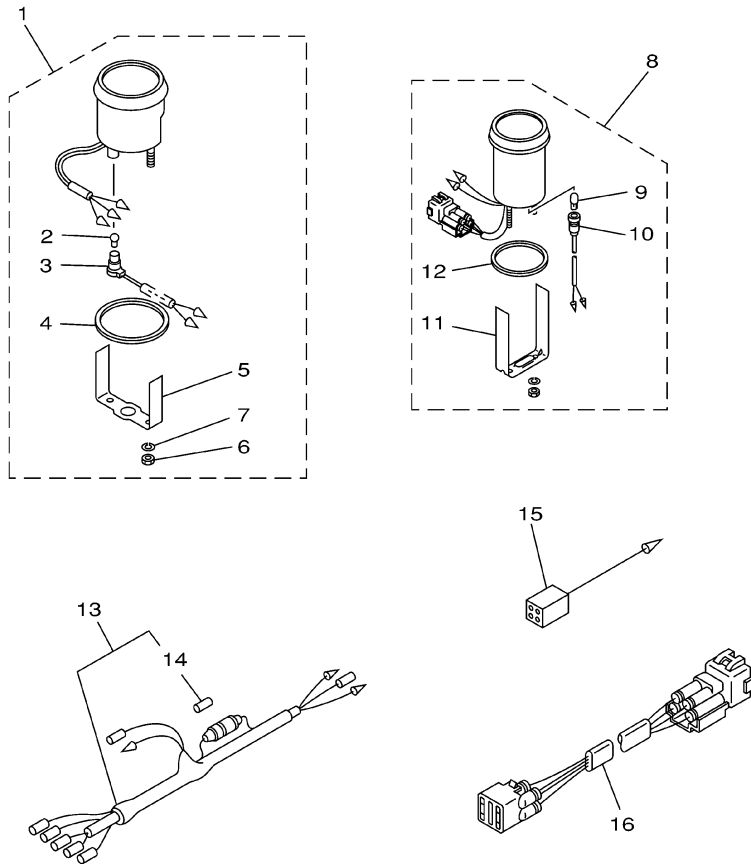


FIG. 36 METER

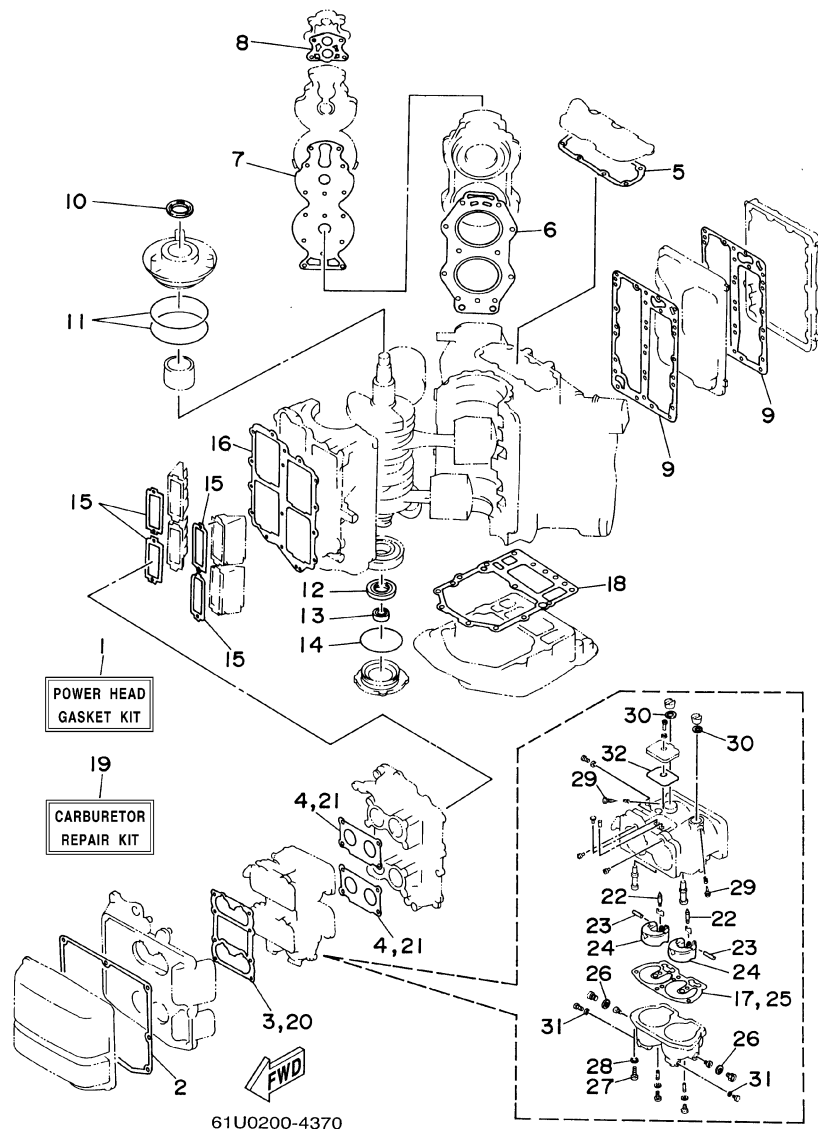
MEDIDOR

| REF. NO. | PART NO. CODIGO NO. | DESCRIPTION DESCRIPTION | ET | E | WH | MH | REMARKS OBSERVACION |
|----------|---------------------|--|----|---|----|----|---------------------|
| 1 | 6Y5-83540-14 | TACHOMETER ASSY TACOMETRO COMPLETO | 1 | | | | AP EXCEPT FOR TUNA |
| 2 | 6Y5-83517-00 | .BULB (12V-1.7W, T10) .BOMBILLA (12V-1.7W, T10) | 1 | | | | |
| 3 | 6Y5-83536-10 | .SOCKET, METER .ENCASTRE DE MEDIDOR | 1 | | | | |
| 4 | 6Y5-83523-00 | .DAMPER .AMORTIGUADOR | 1 | | | | |
| 5 | 6Y5-83514-00 | .PLATE, FITTING .PLACA ACCESORIA | 1 | | | | |
| 6 | 95380-05600 | .NUT .TUERCA | 2 | | | | |
| 7 | 92990-05100 | .WASHER, SPRING .ARANDELA | 2 | | | | |
| 8 | 6Y5-83670-12 | TRIM METER ASSY. MEDIDOR DE INCLINACION | 1 | | | | AP |
| 9 | 6Y5-83518-00 | .BULB (12V-1.7W, T6.5) .BOMBILLA (12V-1.7W, T6.5) | 1 | | | | |
| 10 | 6Y5-83536-00 | .SOCKET, METER .ENCASTRE DE MEDIDOR | 1 | | | | |
| 11 | 6Y5-83544-00 | .PLATE, FITTING .PLACA ACCESORIA | 1 | | | | |
| 12 | 688-83664-00 | .DAMPER .AMORTIGUADOR | 1 | | | | |
| 13 | 6Y5-83553-00 | WIRE, LEAD CABLE CONDUCTOR | 1 | | | | AP |
| 14 | 1E6-82151-00 | .FUSE (10A) .FUSIBLE | 1 | | | | |
| 15 | 6Y5-82117-00 | WIRE, LEAD (BLACK) CABLE CONDUCTOR (NEGRO) | 1 | | | | AP EXCEPT FOR TUNA |
| 16 | 6R3-82553-70 | EXTENSION, WIRE LEAD CABLE | 1 | | | | AP 4P,7M |

6E50200-0280

FIG. 37 REPAIR KIT 1

ESTUCHE REPARATION 1



| REF. NO. | PART NO. CODIGO NO. | DESCRIPTION DESCRIPTION | ET | E | WH | MH | REMARKS OBSERVACION |
|----------|---------------------|--|----|---|----|----|---------------------|
| 1 | 6E5-W0001-A3 | POWER HEAD GASKET KIT JUEGO DE EMPAQUE DE MOTOR | 1 | 1 | 1 | 1 | |
| 2 | 6E5-14416-A1 | .GASKET, AIR CLEANER .EMPAQUE | 1 | 1 | 1 | 1 | |
| 3 | 6E5-14483-A1 | .GASKET .EMPAQUE | 1 | 1 | 1 | 1 | |
| 4 | 6E5-14198-A2 | .GASKET .EMPAQUE | 2 | 2 | 2 | 2 | |
| 5 | 6E5-11381-A2 | .GASKET 1 .EMPAQUE 1 | 1 | 1 | 1 | 1 | |
| 6 | 6E5-11181-A1 | .GASKET, CYLINDER HEAD 1 JUNTA, DE CULATA 1 | 2 | 2 | 2 | 2 | |
| 7 | 6E5-11193-A0 | .GASKET, HEAD COVER 1 .EMPAQUE | 2 | 2 | 2 | 2 | |
| 8 | 688-12414-A1 | .GASKET, COVER .EMPAQUE | 2 | 2 | 2 | 2 | |
| 9 | 6E5-41112-A1 | .GASKET, EXHAUST INNER COVER .EMPAQUE | 2 | 2 | 2 | 2 | |
| 10 | 93102-40M14 | .OIL SEAL .SELLO ACEITE | 1 | 1 | 1 | 1 | |
| 11 | 93211-04001 | .O-RING .ANILLO O | 2 | 2 | 2 | 2 | |
| 12 | 93102-35M13 | .OIL SEAL .SELLO ACEITE | 1 | 1 | 1 | 1 | |
| 13 | 93101-22M15 | .OIL SEAL .SELLO ACEITE | 1 | 1 | 1 | 1 | |
| 14 | 93210-74M35 | .O-RING .ANILLO O | 1 | 1 | 1 | 1 | |
| 15 | 6E5-13621-A1 | .GASKET, VALVE SEAT JUNTA, DE VALV.DE EMPAQUE | 4 | 4 | 4 | 4 | |
| 16 | 6E5-13645-A1 | .GASKET, MANIFOLD 1 .EMPAQUE | 1 | 1 | 1 | 1 | |
| 17 | 6E5-14384-04 | .GASKET, FLOAT CHAMBER .EMPAQUE DE CAMARA DE BOIA | 2 | 2 | 2 | 2 | |
| 18 | 6E5-45113-A0 | .GASKET, UPPER CASING .EMPAQUE | 1 | 1 | 1 | 1 | |
| 19 | 61U-W0093-01 | CARBURETOR REPAIR KIT KIT REPARACION CARBURADOR | 1 | 1 | 1 | 1 | |
| 20 | 6E5-14483-A1 | .GASKET .EMPAQUE | 1 | 1 | 1 | 1 | |
| 21 | 6E5-14198-A2 | .GASKET .EMPAQUE | 2 | 2 | 2 | 2 | |
| 22 | 6E5-14546-00 | .VALVE, NEEDLE .VALVULA DE AGUJA | 4 | 4 | 4 | 4 | |
| 23 | 6E5-14386-02 | .PIN, FLOAT .PASADOR DE BOIA | 4 | 4 | 4 | 4 | |
| 24 | 6E5-14385-02 | .FLOAT .BOIA | 4 | 4 | 4 | 4 | |
| 25 | 6E5-14384-04 | .GASKET, FLOAT CHAMBER .EMPAQUE DE CAMARA DE BOIA | 2 | 2 | 2 | 2 | |
| 26 | 6E5-14398-01 | .GASKET .EMPAQUE | 4 | 4 | 4 | 4 | |
| 27 | 97880-05016 | .SCREW, PAN HEAD .TORNILLO DE CABEZA CON PLANA | 2 | 2 | 2 | 2 | |

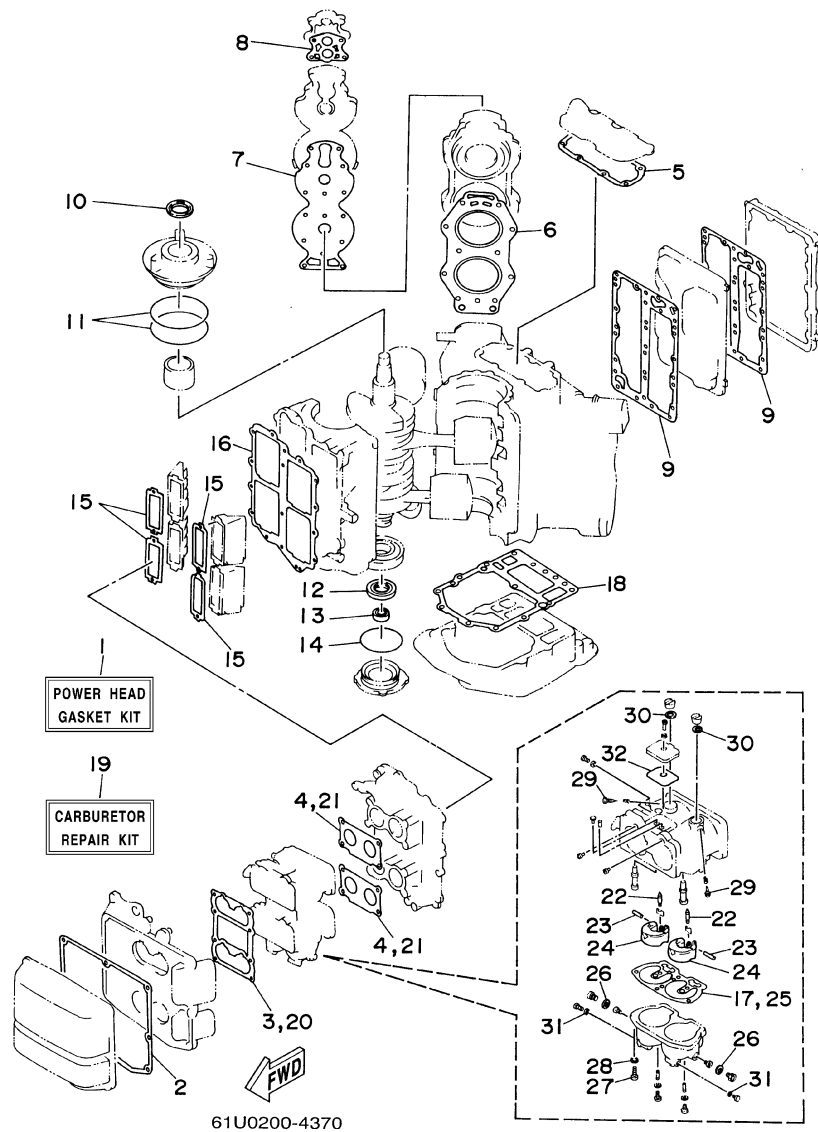


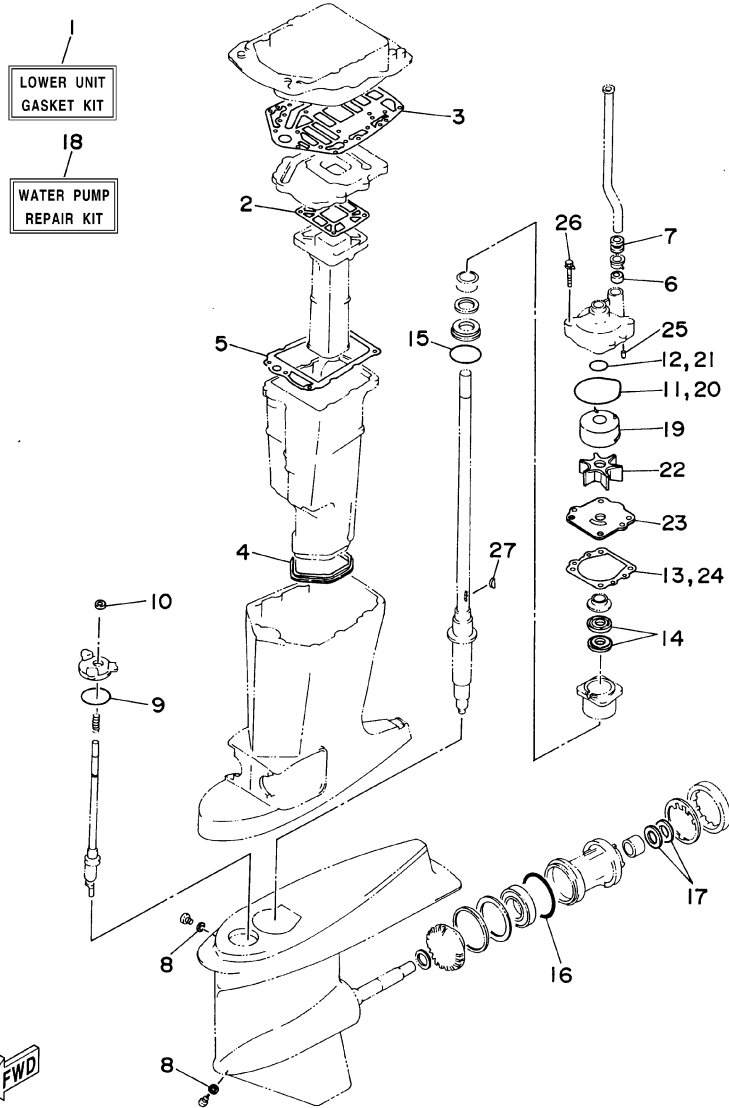
FIG. 37 REPAIR KIT 1

ESTUCHE REPARATION 1

| REF. NO. | PART NO. CODIGO NO. | DESCRIPTION DESCRIPTION | ET | E | WH | MH | REMARKS OBSERVACION |
|----------|---------------------|--|----|---|----|----|---------------------|
| 28 | 92990-05100 | .WASHER, SPRING .ARANDELA | 2 | 2 | 2 | 2 | |
| 29 | 6E5-14323-03 | .SCREW, AIR ADJUSTING .TORNILLO DE AJUSTE DE AIRE | 4 | 4 | 4 | 4 | |
| 30 | 6E5-14979-00 | .GASKET .EMPAQUE DE ARRANQUE | 4 | 4 | 4 | 4 | |
| 31 | 6J8-14959-00 | .GASKET .EMPAQUE | 4 | 4 | 4 | 4 | |
| 32 | 6E5-14959-01 | .GASKET .EMPAQUE | 2 | 2 | 2 | 2 | |

FIG. 38 REPAIR KIT 2

ESTUCHE REPARATION 2



61U0200-4380

| REF. NO. | PART NO. CODIGO NO. | DESCRIPTION DESCRIPTION | ET | E | WH | MH | REMARKS OBSERVACION |
|----------|---------------------|---|----|---|----|----|---------------------|
| 1 | 6E5-W0001-C1 | LOWER UNIT GASKET KIT JUEGO DE EMPAQUE UNIDAD INFER. | 1 | 1 | 1 | 1 | |
| 2 | 6E5-41134-B0 | .GASKET, EXHAUST MANIFOLD .EMPAQUE | 1 | 1 | 1 | 1 | |
| 3 | 6E5-45114-A0 | .GASKET, UPPER CASING .EMPAQUE | 1 | 1 | 1 | 1 | |
| 4 | 6E5-45123-00 | .GASKET, MUFFLER .EMPAQUE SILENCIADOR | 1 | 1 | 1 | 1 | |
| 5 | 6E5-41135-A0 | .GASKET, EXHAUST MANIFOLD .EMPAQUE | 1 | 1 | 1 | 1 | |
| 6 | 6E5-44365-00 | .DAMPER, WATER SEAL .HULE DE SELLO DE AGUA | 1 | 1 | 1 | 1 | |
| 7 | 6E5-44366-00 | .DAMPER, WATER SEAL .GOMA DEL SELLO DE AGUA | 1 | 1 | 1 | 1 | |
| 8 | 90430-08020 | .GASKET .JUNTA | 2 | 2 | 2 | 2 | |
| 9 | 93210-58144 | .O-RING .ANILLO O | 1 | 1 | 1 | 1 | |
| 10 | 93106-09014 | .OIL SEAL .SELLO ACEITE | 1 | 1 | 1 | 1 | |
| 11 | 93210-86M38 | .O-RING .ANILLO O | 1 | 1 | 1 | 1 | |
| 12 | 93210-37160 | .O-RING .ANILLO O | 1 | 1 | 1 | 1 | |
| 13 | 6E5-44315-A0 | .GASKET, WATER PUMP .EMPAQUE | 1 | 1 | 1 | 1 | |
| 14 | 93101-28M16 | .OIL SEAL .SELLO ACEITE | 2 | 2 | 2 | 2 | |
| 15 | 93210-55M14 | .O-RING .ANILLO O | 1 | 1 | 1 | 1 | |
| 16 | 93210-86M39 | .O-RING .ANILLO O | 1 | 1 | 1 | 1 | |
| 17 | 93101-30M17 | .OIL SEAL .SELLO ACEITE | 2 | 2 | 2 | 2 | |
| 18 | 61U-W0078-03 | WATER PUMP REPAIR KIT ESTUCHE REPARACION BOMBA AGUA | 1 | 1 | 1 | 1 | |
| 19 | 6R3-44322-42 | .INSERT, CARTRIDGE .CARTUCHO | 1 | 1 | 1 | 1 | |
| 20 | 93210-86M38 | .O-RING .ANILLO O | 1 | 1 | 1 | 1 | |
| 21 | 93210-37160 | .O-RING .ANILLO O | 1 | 1 | 1 | 1 | |
| 22 | 6E5-44352-01 | .IMPELLER .IMPULSOR | 1 | 1 | 1 | 1 | |
| 23 | 6E5-44323-40 | .OUTER PLATE, CARTRIDGE .PLACA EXTERIOR DEL CARTUCHO | 1 | 1 | 1 | 1 | |
| 24 | 6E5-44315-A0 | .GASKET, WATER PUMP .EMPAQUE | 1 | 1 | 1 | 1 | |
| 25 | 93606-12019 | .PIN, DOWEL .PASADOR DE CLAVIJA | 2 | 2 | 2 | 2 | |
| 26 | 90119-08M14 | .BOLT, WITH WASHER .TORNILLO CON ARANDELA | 4 | 4 | 4 | 4 | |
| 27 | 90280-04M05 | .KEY, WOODRUFF .CUNA WOODRUFF | 1 | 1 | 1 | 1 | |

NUMERICAL INDEX
INDICE NUMERICO

| PART NO. CODIGO NO. | REF. NO. | PART NO. CODIGO NO. | REF. NO. | PART NO. CODIGO NO. | REF. NO. | PART NO. CODIGO NO. | REF. NO. | PART NO. CODIGO NO. | REF. NO. | PART NO. CODIGO NO. | REF. NO. |
|------------------------|-------------|------------------------|-------------|------------------------|-------------|------------------------|-------------|------------------------|-------------|------------------------|-------------|
| 6E5-W0001-A3 | 37 - 1 | 6E5-11650-01 | 4 - 21 | 6E5-14383-01 | 9 - 6 | 6E5-1492A-00 | 8 - 17 | 61U-15770-00 | 13 - 51 | 6E5-24412-10 | 10 - 35 |
| 6E5-W0001-C1 | 38 - 1 | 6E5-12411-20 | 5 - 7 | 61A-14383-01 | 8 - 34 | | 9 - 17 | 61U-15771-00 | 13 - 52 | 6E5-24413-00 | 10 - 25 |
| 6E5-W0004-00 | 6 - 2 | 6G5-12413-00-1S | 5 - 8 | | 9 - 29 | 61A-1492E-87 | 8 - 15 | 61U-15772-00 | 13 - 39 | 6A0-24421-01 | 10 - 32 |
| | 7 - 2 | 688-12414-A1 | 5 - 9 | 6E5-14384-04 | 8 - 3 | | 9 - 15 | 696-15773-00 | 13 - 3 | 61U-24421-00 | 11 - 8 |
| 61U-W0070-H0 | 1 - 21 | | 37 - 8 | | 9 - 3 | 61U-1492F-39 | 8 - 12 | 61U-15774-00-94 | 13 - 47 | 6E5-24423-00 | 10 - 30 |
| | 2 - 19 | 6G5-12416-00 | 5 - 18 | | 37 - 17 | | 9 - 12 | 6F5-15779-02 | 13 - 25 | 61U-24423-00 | 11 - 9 |
| 61U-W0078-03 | 38 - 18 | 6E5-12576-00 | 5 - 24 | | 37 - 25 | 61A-1492G-54 | 8 - 31 | 697-15787-00-94 | 13 - 29 | 61U-24424-00 | 11 - 17 |
| 6E5-W0084-12-4D | 20 - 1 | 6G5-12581-00 | 29 - 10 | 6E5-14385-02 | 8 - 8 | | 9 - 27 | 697-15789-00 | 13 - 46 | 648-24424-00 | 10 - 29 |
| 61U-W0090-03-1S | 3 - 1 | 677-13437-08 | 1 - 24 | | 9 - 8 | 61A-1492H-12 | 8 - 30 | 663-15794-00 | 13 - 57 | 650-24431-A0 | 10 - 36 |
| 61U-W0093-01 | 37 - 19 | | 2 - 23 | | 37 - 24 | | 9 - 26 | 61U-2415A-00 | 13 - 69 | 6E5-24434-02 | 10 - 31 |
| 61U-W1571-00 | 13 - 1 | 6E5-13610-00 | 6 - 1 | 6E5-14386-02 | 8 - 11 | 6E5-14959-01 | 8 - 25 | 6YJ-24167-00 | 32 - 7 | 6E5-24435-00 | 10 - 27 |
| 656-W2810-02 | 10 - 48 | | 7 - 1 | | 9 - 11 | | 9 - 25 | 6YJ-24201-00 | 32 - 1 | 61U-24454-00 | 11 - 10 |
| 6E5-W4271-05-4D | 19 - 1 | 6E5-13621-A1 | 6 - 3 | | 37 - 23 | | 37 - 32 | 6YJ-24201-10 | 32 - 1 | 61U-24461-00 | 11 - 12 |
| 61U-W4271-02-4D | 19 - 1 | | 7 - 3 | 61U-14394-00 | 8 - 14 | 6J8-14959-00 | 8 - 33 | 6YJ-24260-00 | 32 - 3 | 61A-24469-00 | 10 - 12 |
| 6E5-11111-00-1S | 5 - 1 | | 37 - 15 | | 9 - 14 | | 9 - 31 | 6Y1-24260-12 | 32 - 3 | 6E5-24471-00 | 10 - 26 |
| 6E5-11119-01 | 3 - 18 | 6E5-13641-03-1S | 6 - 6 | 647-14395-60 | 6 - 37 | | 37 - 31 | 6Y1-24268-00 | 32 - 6 | 61U-24478-00 | 11 - 13 |
| 61U-11119-01 | 3 - 18 | | 7 - 6 | | 7 - 30 | 61U-14959-00 | 8 - 13 | 6E5-24304-10 | 10 - 1 | 61U-24479-00 | 11 - 14 |
| 6E5-11181-A1 | 5 - 2 | 6E5-13645-A1 | 6 - 21 | 6E5-14398-01 | 8 - 16 | | 9 - 13 | 6E5-24305-04 | 12 - 2 | 61U-24486-00 | 11 - 11 |
| | 37 - 6 | | 7 - 13 | | 9 - 16 | 6E5-14979-00 | 8 - 21 | | 32 - 9 | 61U-24489-00 | 11 - 15 |
| 6E5-11191-01-1S | 5 - 4 | | 37 - 16 | | 37 - 26 | | 9 - 21 | 6Y2-24305-04 | 12 - 4 | 61U-24491-10 | 11 - 19 |
| 6E5-11193-A0 | 5 - 5 | 6E5-14159-00 | 8 - 10 | 6E5-1441K-00 | 6 - 42 | | 37 - 30 | | 32 - 11 | 61U-24494-00 | 11 - 42 |
| | 37 - 7 | | 9 - 10 | | 7 - 35 | 6J8-14995-00 | 8 - 7 | 6Y2-24306-07 | 32 - 8 | 61U-24496-00 | 11 - 36 |
| 6R3-1131M-01 | 3 - 14 | 6E5-14198-A2 | 6 - 28 | 6E5-14416-A1 | 6 - 43 | | 9 - 7 | 6Y2-24306-53 | 12 - 1 | 61A-24500-00 | 11 - 33 |
| 6E5-11325-00 | 3 - 12 | | 7 - 18 | | 7 - 36 | 61U-15100-00-1S | 3 - 2 | 6E5-24312-00 | 5 - 15 | 61A-24521-00 | 10 - 7 |
| 6E5-11370-00 | 6 - 8 | | 37 - 4 | | 37 - 2 | 6E5-15163-00-1S | 4 - 3 | 61U-24313-00 | 10 - 3 | 65L-24531-01 | 10 - 8 |
| | 7 - 8 | | 37 - 21 | 6E5-14417-10-94 | 7 - 26 | 6G5-15359-00-94 | 4 - 11 | 61U-24314-00 | 10 - 20 | 65L-24558-00 | 10 - 13 |
| 6E5-11371-00-1S | 3 - 24 | 6E5-14223-00 | 8 - 23 | 61U-14417-00-94 | 6 - 33 | 61U-15711-00 | 13 - 2 | 61U-24315-00 | 11 - 22 | 61A-24560-04 | 10 - 6 |
| 6E5-11372-00 | 3 - 5 | | 9 - 23 | 6E5-14418-00 | 6 - 41 | 663-15713-00 | 13 - 5 | 6G5-24316-10 | 10 - 39 | 61A-24563-00 | 10 - 11 |
| 6G5-11372-00-1S | 5 - 22 | 61U-14301-M1 | 8 - 1 | | 7 - 34 | 61U-15714-00 | 13 - 6 | 61U-24316-00 | 11 - 1 | 61A-24564-00 | 10 - 9 |
| 624-11379-00 | 3 - 3 | 61U-14301-02 | 9 - 1 | 6E5-14483-A1 | 6 - 38 | 663-15715-00 | 13 - 12 | 61U-24317-00 | 11 - 30 | 61U-24566-00 | 10 - 16 |
| 6E5-11381-A2 | 3 - 25 | 61U-14302-M1 | 8 - 2 | | 7 - 31 | 696-15716-00 | 13 - 13 | 6G5-24318-10 | 10 - 43 | 61A-24577-01 | 10 - 10 |
| | 37 - 5 | 61U-14302-02 | 9 - 2 | | 37 - 3 | 663-15719-00 | 13 - 15 | 6G5-24319-10 | 10 - 44 | 6YJ-24610-01 | 32 - 2 |
| 6G5-11382-A1 | 5 - 21 | 6E5-14321-00 | 8 - 18 | | 37 - 20 | 61U-15723-01 | 13 - 48 | 6Y1-24329-00 | 32 - 5 | 692-26301-03 | 20 - 20 |
| 6R3-11397-01 | 3 - 15 | | 9 - 18 | 6E5-14485-00 | 6 - 35 | 663-15726-01 | 13 - 10 | 6E5-24351-50 | 32 - 14 | 6A1-28176-00 | 19 - 44 |
| 6N7-11411-01 | 4 - 1 | 6E5-14323-03 | 8 - 22 | | 7 - 28 | 696-15734-00 | 13 - 14 | 6E5-24351-51 | 12 - 7 | 6E5-41111-00-1S | 5 - 11 |
| 6E5-11447-00 | 4 - 2 | | 9 - 22 | 624-14485-00 | 6 - 7 | 663-15735-01 | 13 - 53 | 6Y2-24360-02 | 32 - 16 | 6E5-41112-A1 | 5 - 12 |
| 663-11518-01 | 3 - 4 | | 37 - 29 | | 6 - 34 | 663-15739-00 | 13 - 4 | 6Y2-24360-52 | 12 - 9 | | 37 - 9 |
| 61U-11601-00 | 4 - 18 | 6E5-14324-00 | 8 - 32 | | 7 - 7 | 663-15741-02 | 13 - 8 | 6E5-24367-01 | 19 - 31 | 6N7-41113-00-1S | 5 - 13 |
| 61U-11601-10 | 4 - 18 | | 9 - 28 | | 7 - 27 | 663-15744-00 | 13 - 11 | 6E5-24367-10 | 19 - 34 | 6E5-41131-01-5B | 29 - 18 |
| 61U-11601-20 | 4 - 18 | 6A0-14325-00 | 10 - 33 | 6E5-14488-00 | 14 - 21 | 663-15752-00 | 13 - 18 | 6E5-24376-10 | 10 - 42 | 6E5-41132-00-5B | 29 - 22 |
| 6R5-11631-01-93 | 4 - 16 | 6E5-14328-01 | 8 - 20 | 61U-14488-00 | 13 - 70 | 663-15753-00 | 13 - 19 | 6E0-24378-00 | 6 - 13 | 6E5-41134-B0 | 29 - 23 |
| 6K7-11633-00 | 4 - 19 | | 9 - 20 | 6E5-14527-01 | 8 - 24 | 663-15754-00 | 13 - 9 | | 6 - 18 | | 38 - 2 |
| 6E5-11634-00 | 4 - 20 | 6J8-14334-00 | 8 - 19 | | 9 - 24 | 689-15755-01 | 13 - 23 | 6E5-24378-00 | 11 - 5 | 6E5-41135-A0 | 29 - 30 |
| 6R5-11635-01 | 4 - 16 | | 9 - 19 | 6E5-14546-00 | 8 - 9 | 61U-15758-00 | 13 - 20 | 650-24378-00 | 5 - 14 | | 38 - 5 |
| 6R5-11636-01 | 4 - 16 | 61U-14381-M0 | 8 - 5 | | 9 - 9 | 692-15758-01-94 | 13 - 33 | 6E5-24410-03 | 10 - 22 | 6E5-41137-03-94 | 29 - 8 |
| 6R5-11642-01-93 | 4 - 17 | 61U-14381-00 | 8 - 4 | | 37 - 22 | 697-15761-01 | 1 - 23 | 61U-24410-00 | 11 - 6 | 6E5-41213-00 | 21 - 32 |
| 6R5-11645-01 | 4 - 17 | | 9 - 4 | 6E5-14711-01-5B | 29 - 26 | 697-15762-00 | 13 - 34 | 6E5-24411-00 | 10 - 28 | 6E5-41217-01 | 6 - 31 |
| 6R5-11646-01 | 4 - 17 | 6E5-14383-01 | 8 - 6 | 6E5-14737-00 | 29 - 27 | 663-15764-00 | 13 - 7 | 61U-24411-00 | 11 - 7 | | 7 - 21 |

NUMERICAL INDEX
INDICE NUMERICO

| PART NO. CODIGO NO. | REF. NO. | PART NO. CODIGO NO. | REF. NO. | PART NO. CODIGO NO. | REF. NO. | PART NO. CODIGO NO. | REF. NO. | PART NO. CODIGO NO. | REF. NO. | PART NO. CODIGO NO. | REF. NO. |
|------------------------|-------------|------------------------|-------------|------------------------|-------------|------------------------|-------------|------------------------|-------------|------------------------|-------------|
| 662-41237-01 | 21 - 25 | 6E5-42615-00 | 2 - 14 | 6E5-43111-04-8D | 22 - 1 | 64E-43810-00 | 27 - 6 | 64E-4388E-00 | 27 - 25 | 6E5-44511-00-5B | 26 - 39 |
| | 21 - 31 | 6E5-42617-00 | 1 - 11 | 6E5-43111-62-8D | 22 - 1 | 6E5-43814-02 | 27 - 13 | 64E-4388E-10 | 28 - 1 | 6E5-44511-60-5B | 23 - 33 |
| 6E5-41256-01 | 7 - 22 | | 2 - 11 | 64E-43111-02-8D | 25 - 1 | 64E-43816-00 | 28 - 17 | 64E-4388J-00 | 27 - 3 | | 26 - 39 |
| 661-41262-02 | 7 - 23 | 6E5-42619-00 | 2 - 12 | 6E5-43112-04-8D | 22 - 6 | 64E-43817-00 | 27 - 5 | 64E-43880-01 | 28 - 28 | 6E5-44514-00-94 | 23 - 26 |
| 6E5-41271-02 | 7 - 24 | 61U-42619-10 | 1 - 12 | 6E5-43112-62-8D | 22 - 6 | 64E-43817-10 | 28 - 19 | 64E-43883-00 | 27 - 11 | | 26 - 32 |
| 689-41273-00 | 7 - 25 | 61U-42626-00 | 1 - 17 | 64E-43112-02-8D | 25 - 9 | 64E-43818-01 | 27 - 32 | 64E-43891-00 | 28 - 31 | 6E5-44514-60-94 | 23 - 26 |
| 688-41611-00 | 14 - 9 | 6E5-42627-00 | 2 - 13 | 6E5-43124-00 | 24 - 4 | 64E-4382G-00 | 27 - 29 | 64E-43892-00 | 28 - 34 | | 26 - 32 |
| 688-41612-00 | 14 - 10 | 61U-42627-10 | 1 - 13 | 6E5-43126-02 | 22 - 39 | 64E-43820-00 | 27 - 15 | 6E5-43896-00 | 28 - 9 | 6G5-44526-00 | 22 - 3 |
| 6E5-41631-01-1S | 21 - 10 | 61U-42636-00 | 1 - 18 | 64E-43126-00 | 25 - 37 | 64E-43821-00 | 27 - 16 | 64E-43897-00 | 27 - 24 | | 25 - 3 |
| 6E5-41632-02-1S | 21 - 6 | 6E5-42647-00-94 | 1 - 2 | 6E5-43128-00-8D | 24 - 2 | 64E-43822-00 | 27 - 17 | 64E-43898-00 | 27 - 7 | 68F-44533-00 | 3 - 22 |
| 6E5-41636-01 | 21 - 23 | | 2 - 2 | 6R3-43131-00 | 22 - 14 | 64E-43825-01 | 27 - 2 | 697-44113-00 | 20 - 29 | 6E5-44551-61-8D | 23 - 7 |
| 688-41636-00 | 21 - 29 | 6E5-42649-01-94 | 1 - 3 | 64E-43131-01 | 25 - 15 | 64E-43827-00 | 28 - 22 | 6E5-44117-00-1S | 21 - 36 | | 26 - 13 |
| 692-42111-12-4D | 20 - 2 | | 2 - 3 | 64E-43139-02 | 26 - 1 | 64E-43828-00 | 27 - 22 | 6E5-44118-01-94 | 21 - 44 | 6G5-44551-01-8D | 23 - 7 |
| 692-42115-00 | 20 - 11 | 6E5-42652-00 | 1 - 7 | 6G5-43144-00 | 22 - 29 | 64E-43829-00 | 27 - 23 | 6E5-44120-03 | 21 - 51 | | 26 - 13 |
| 664-42119-00 | 20 - 3 | | 2 - 7 | | 25 - 27 | 64E-43830-00 | 28 - 4 | 6E5-44120-23 | 21 - 51 | 6E5-44552-01-94 | 23 - 19 |
| 692-42121-01-4D | 20 - 21 | 688-42652-00 | 1 - 8 | 6E5-43145-01 | 33 - 8 | 64E-43831-00 | 28 - 2 | 61U-44120-01 | 21 - 51 | | 26 - 25 |
| 663-42126-01 | 20 - 48 | | 2 - 8 | 6G5-43145-01 | 22 - 18 | 64E-4384J-00 | 27 - 18 | 61U-44120-11 | 21 - 51 | 6E5-44553-01-8D | 23 - 22 |
| 663-42133-01 | 20 - 15 | 663-42662-00 | 1 - 4 | 6G5-43148-00 | 22 - 34 | 64E-43841-00 | 28 - 7 | 61U-44120-21 | 21 - 51 | | 26 - 28 |
| 692-42134-03-94 | 20 - 16 | | 2 - 4 | | 25 - 32 | 64E-43843-00 | 28 - 6 | 68F-44121-00 | 21 - 38 | 6E5-44555-00-94 | 23 - 11 |
| 692-42135-00 | 20 - 14 | 61U-42677-J0 | 1 - 20 | 6E5-43160-00 | 22 - 19 | 64E-43843-10 | 28 - 38 | 6E5-44122-00 | 21 - 39 | | 26 - 17 |
| 6K5-42137-00 | 20 - 5 | | 2 - 18 | 688-43165-00 | 22 - 20 | 64E-43850-00 | 28 - 15 | 6E5-44124-00 | 20 - 44 | 6E5-44575-00 | 23 - 10 |
| 663-42138-00 | 20 - 12 | 61U-42678-H0 | 1 - 22 | 6E5-43170-00-4D | 24 - 1 | 64E-43851-00 | 28 - 11 | 6E5-44150-02 | 30 - 17 | | 26 - 16 |
| 6F6-42177-A0 | 20 - 4 | | 2 - 20 | 6G5-43181-02 | 25 - 29 | 64E-43855-00 | 28 - 14 | 692-44159-01 | 20 - 33 | 663-44575-00 | 23 - 32 |
| 6E5-42510-05-8D | 23 - 2 | 688-42681-61 | 2 - 21 | 61U-43181-00 | 22 - 31 | 6E5-43858-00 | 27 - 28 | 663-44173-00 | 20 - 34 | | 26 - 38 |
| | 26 - 10 | 688-42682-61 | 2 - 22 | 688-43184-00 | 24 - 28 | 64E-43858-00 | 28 - 12 | 6K5-44191-00 | 20 - 30 | 6E5-45111-02-8D | 29 - 1 |
| 6E5-42510-11-8D | 23 - 2 | 648-42715-00 | 21 - 49 | 6G5-43185-02 | 25 - 30 | | 28 - 18 | 688-44194-00 | 21 - 14 | 6E5-45111-23-8D | 29 - 1 |
| 6E5-42510-25-8D | 23 - 2 | 6E5-42716-00 | 19 - 37 | 61U-43185-00 | 22 - 32 | 72X-43858-00 | 28 - 5 | | 21 - 28 | 6E5-45113-A0 | 29 - 12 |
| | 26 - 10 | 6E5-42724-00 | 29 - 9 | 6E5-43311-A2-8D | 22 - 25 | 64E-43859-00 | 28 - 13 | 61A-44311-01 | 30 - 24 | | 37 - 18 |
| 6E5-42510-61-8D | 23 - 2 | 6E5-42725-00 | 19 - 15 | 6E5-43311-E2-8D | 22 - 25 | 6H1-4386K-10 | 28 - 29 | 6E5-44312-00 | 31 - 20 | 6E5-45114-A0 | 29 - 19 |
| | 26 - 10 | 61U-42725-00 | 19 - 16 | 64E-43311-10-8D | 25 - 22 | 64E-43860-00 | 28 - 20 | 6E5-44315-A0 | 30 - 31 | | 38 - 3 |
| 6E5-42510-71-8D | 23 - 2 | 6H4-42726-00 | 19 - 25 | 64E-43311-20-8D | 25 - 22 | 6E5-43862-00 | 27 - 10 | | 38 - 13 | 663-45119-00 | 22 - 13 |
| 6E5-42515-00 | 20 - 56 | 688-42726-10 | 19 - 25 | 6E5-43317-00 | 24 - 24 | | 27 - 14 | | 38 - 24 | | 22 - 27 |
| 6E5-42518-01 | 20 - 52 | 6E5-42738-01-5B | 19 - 17 | 61A-43376-00 | 26 - 8 | 6G5-43863-00 | 28 - 10 | 6R3-44322-42 | 30 - 25 | | 25 - 14 |
| 663-42528-00 | 20 - 53 | 6E5-42741-01-4D | 19 - 27 | 6E5-43613-00 | 24 - 6 | 6E5-43864-00 | 27 - 20 | | 38 - 19 | | 25 - 25 |
| 6E5-42535-60 | 23 - 8 | 61U-42744-00 | 11 - 48 | 6E5-43614-00 | 24 - 7 | 6G5-43864-00 | 27 - 19 | 6E5-44323-40 | 30 - 30 | 6E5-45123-00 | 29 - 29 |
| | 26 - 14 | 6G1-42748-00 | 6 - 32 | 6E5-43615-00 | 24 - 8 | 6G5-43865-00 | 28 - 35 | | 38 - 23 | | 38 - 4 |
| 624-42542-00 | 13 - 31 | 6H4-42748-00 | 19 - 2 | 6E5-43616-00 | 24 - 26 | 64E-43865-00 | 28 - 16 | 6E5-44352-01 | 30 - 28 | 6E5-45155-00 | 29 - 2 |
| | 13 - 41 | 6E5-42761-00-1S | 3 - 20 | 6E5-43630-01 | 24 - 18 | 64E-43866-00 | 27 - 9 | | 38 - 22 | 6E5-45211-00-4D | 29 - 35 |
| | 14 - 19 | 6E5-42762-00-1S | 3 - 21 | 61U-43631-00 | 24 - 22 | 64E-43867-00 | 27 - 8 | 6E5-44361-00 | 31 - 2 | | 31 - 10 |
| | 15 - 4 | 6E5-42769-00 | 29 - 3 | 6E5-43659-00 | 24 - 13 | 64E-43868-00 | 28 - 3 | 6E5-44361-10 | 31 - 2 | 688-45215-02 | 31 - 11 |
| 6E5-42546-60 | 23 - 9 | 6E5-42771-01-4D | 19 - 28 | 6E5-43676-00 | 24 - 30 | 64E-43869-00 | 27 - 26 | 6E5-44361-20 | 31 - 2 | 6G5-45251-02 | 22 - 2 |
| | 26 - 15 | 6G5-42791-00 | 19 - 43 | 6E5-43679-00 | 24 - 16 | 64E-4387A-00 | 28 - 23 | 6E5-44365-00 | 31 - 3 | | 25 - 2 |
| 61U-42610-K0-4D | 2 - 1 | 6G5-42791-10 | 19 - 43 | 64E-4380F-00 | 28 - 33 | 6E5-43872-00 | 27 - 12 | | 31 - 19 | 61U-45300-12-8D | 30 - 1 |
| 61U-42610-L0-4D | 1 - 1 | 688-42815-01-8D | 19 - 3 | 64E-4380J-00 | 28 - 30 | 64E-43873-00 | 28 - 24 | | 38 - 6 | 61U-45300-22-8D | 30 - 1 |
| 61U-42610-U0-4D | 2 - 1 | 6E5-42816-01 | 19 - 10 | 64E-43800-02-4D | 27 - 1 | 6E5-43874-01 | 27 - 21 | 6E5-44366-00 | 31 - 1 | 61U-45300-32-8D | 30 - 1 |
| 6E5-42613-01-4D | 2 - 15 | 6G5-42816-00 | 19 - 9 | 64E-43802-00 | 28 - 8 | 64E-43875-00 | 28 - 25 | | 38 - 7 | 6E5-45301-04-8D | 30 - 2 |
| 6G5-42613-00-4D | 1 - 15 | 688-42816-00 | 19 - 4 | 64E-43805-00 | 28 - 37 | 64E-43879-00 | 28 - 27 | 6E5-44391-00 | 19 - 14 | 6E5-45318-00 | 29 - 33 |
| 6E5-42615-00 | 1 - 14 | 6E5-42817-01-4D | 19 - 8 | 64E-4381G-00 | 27 - 27 | 64E-43879-10 | 28 - 26 | 6E5-44511-00-5B | 23 - 33 | 6E5-45321-00 | 30 - 13 |

NUMERICAL INDEX
INDICE NUMERICO

| PART NO. CODIGO NO. | REF. NO. | PART NO. CODIGO NO. | REF. NO. | PART NO. CODIGO NO. | REF. NO. | PART NO. CODIGO NO. | REF. NO. | PART NO. CODIGO NO. | REF. NO. | PART NO. CODIGO NO. | REF. NO. |
|------------------------|-------------|------------------------|-------------|------------------------|-------------|------------------------|-------------|------------------------|-------------|------------------------|-------------|
| 6E5-45331-00-94 | 30 - 34 | 6E5-45943-00-EL | 31 - 26 | 6E5-48310-01 | 20 - 42 | 703-82119-00 | 19 - 41 | 6E5-82588-00 | 19 - 38 | 90109-12M37 | 26 - 36 |
| 6E5-45332-00-94 | 30 - 58 | 6E5-45945-01-EL | 31 - 26 | 701-48320-30 | 34 - 2 | | 26 - 42 | 6K7-82588-00 | 13 - 65 | 90109-12M55 | 22 - 19 |
| 688-45341-10 | 30 - 7 | 6E5-45947-00-EL | 31 - 26 | 701-48320-40 | 34 - 2 | 6E5-82147-00 | 22 - 28 | 6E5-82590-04 | 16 - 18 | 90109-14M34 | 23 - 15 |
| 6E5-45344-00 | 30 - 40 | 688-45970-03-98 | 31 - 26 | 701-48320-50 | 34 - 2 | | 25 - 26 | 61U-82590-M1 | 16 - 18 | | 26 - 21 |
| 6E5-45371-01 | 31 - 14 | 6E5-45987-01 | 31 - 21 | 701-48320-80 | 34 - 2 | 6E5-82147-20 | 22 - 28 | 703-82591-00 | 35 - 53 | 90109-14M53 | 23 - 30 |
| 688-45375-00 | 31 - 9 | 688-45997-01 | 31 - 22 | 6E5-48344-00 | 21 - 7 | | 25 - 26 | 703-82592-00 | 35 - 54 | | 26 - 36 |
| 663-45376-00-94 | 31 - 8 | 703-48152-00 | 35 - 57 | | 21 - 42 | 6E5-82148-00 | 22 - 7 | 6E5-82594-00 | 19 - 42 | 90109-14M54 | 23 - 15 |
| 6E5-45378-00 | 30 - 10 | 703-48153-00 | 35 - 3 | 703-48345-01 | 35 - 19 | | 25 - 6 | 688-82594-00 | 19 - 41 | | 26 - 21 |
| 688-45383-02 | 30 - 68 | 703-48189-00 | 35 - 17 | 703-48358-00 | 35 - 20 | | 25 - 10 | 703-82594-00 | 35 - 25 | 90116-06M30 | 6 - 20 |
| 688-45384-00 | 30 - 69 | 703-48198-00 | 35 - 14 | 6E5-48531-00 | 21 - 1 | 6E5-82149-00 | 23 - 14 | 703-83383-02 | 35 - 51 | | 7 - 12 |
| 6E5-45501-01 | 30 - 43 | 703-48201-16 | 34 - 1 | 6E5-48538-00 | 21 - 2 | | 26 - 20 | 6Y5-83514-00 | 36 - 5 | 90116-08M45 | 3 - 11 |
| 6E5-45501-11 | 30 - 43 | | 35 - 1 | 6E5-61350-02 | 33 - 1 | 1E6-82151-00 | 36 - 14 | 6Y5-83517-00 | 36 - 2 | 90116-10M28 | 23 - 3 |
| 6E5-45501-21 | 30 - 43 | 703-48205-17 | 34 - 1 | 6E5-61351-01 | 33 - 2 | 663-82151-00 | 16 - 19 | 6Y5-83518-00 | 36 - 9 | 90116-10M38 | 29 - 37 |
| 61A-45527-00 | 30 - 23 | | 35 - 1 | 6E5-61355-00 | 33 - 5 | 6G5-82152-00 | 16 - 1 | 6Y5-83523-00 | 36 - 4 | 90119-06MA2 | 3 - 23 |
| 6E5-45536-00 | 30 - 9 | 703-48211-01 | 35 - 61 | 6E5-61332-00 | 14 - 13 | 6A0-82317-00 | 13 - 32 | 6Y5-83536-00 | 36 - 10 | | 3 - 26 |
| 61A-45538-00 | 30 - 20 | 703-48212-00 | 35 - 58 | 6E5-81337-01 | 14 - 16 | | 13 - 42 | 6Y5-83536-10 | 36 - 3 | | 4 - 7 |
| 6E5-45551-02 | 30 - 44 | 703-48213-00 | 35 - 59 | 6N7-81800-10 | 18 - 1 | | 14 - 18 | 6Y5-83540-14 | 36 - 1 | | 4 - 15 |
| 6E5-45560-01 | 30 - 46 | 703-48215-00 | 35 - 43 | 6N7-81801-00 | 18 - 8 | | 15 - 3 | 6Y5-83544-00 | 36 - 11 | | 5 - 23 |
| 6E5-45567-01-10 | 30 - 5 | 703-48219-00 | 35 - 30 | 6N7-81807-00 | 18 - 11 | 6G5-82317-00 | 14 - 17 | 6Y5-83553-00 | 36 - 13 | | 21 - 37 |
| 6E5-45567-01-12 | 30 - 5 | 703-48221-00 | 35 - 56 | 61A-81809-00 | 18 - 3 | 6G1-82370-21 | 16 - 5 | 6N7-83557-00 | 16 - 39 | 90119-06MA3 | 6 - 22 |
| 6E5-45567-01-15 | 30 - 5 | 703-48222-00 | 35 - 27 | 6N7-81810-00 | 18 - 5 | 663-82370-01 | 16 - 5 | 6E5-83558-00 | 30 - 12 | | 7 - 14 |
| 6E5-45567-01-18 | 30 - 5 | 703-48223-00 | 35 - 28 | 6N7-81813-00 | 18 - 9 | 63D-82510-01 | 17 - 4 | | 31 - 17 | 90119-06MA4 | 5 - 6 |
| 6E5-45567-01-30 | 30 - 5 | 703-48224-00 | 35 - 55 | 6E5-8182A-10 | 18 - 17 | 703-82510-43 | 35 - 44 | 6E5-83558-10 | 30 - 12 | 90119-06MA5 | 5 - 17 |
| 6E5-45567-01-40 | 30 - 5 | 703-48225-00 | 35 - 29 | 6E5-8182E-10 | 18 - 15 | 6R3-82519-00 | 16 - 22 | 688-83664-00 | 36 - 12 | 90119-06MA6 | 5 - 10 |
| 6E5-45567-01-50 | 30 - 5 | 703-48226-00 | 35 - 26 | 6E5-8182F-10 | 18 - 16 | 662-82519-00 | 16 - 28 | 6Y5-83670-12 | 36 - 8 | 90119-06M09 | 19 - 7 |
| 6E5-45571-01 | 30 - 60 | 703-48227-00 | 35 - 24 | 6K7-8182G-10 | 18 - 6 | 697-8252E-01-4D | 17 - 7 | 64E-83672-02 | 26 - 3 | | 19 - 13 |
| 6E5-45576-00 | 30 - 61 | 703-48232-00 | 35 - 62 | 6E5-8182K-10 | 18 - 18 | 697-8252F-01-4D | 17 - 8 | 72X-85075-L0 | 28 - 21 | 90119-06M10 | 30 - 16 |
| 6L6-45577-00-10 | 30 - 65 | 703-48234-00 | 35 - 18 | 6N7-81820-10 | 18 - 10 | 6E5-82531-10 | 16 - 25 | 6E5-85510-01 | 14 - 2 | 90119-06M31 | 6 - 44 |
| 6L6-45577-00-12 | 30 - 65 | 703-48235-00 | 35 - 4 | 6E5-81822-02-98 | 18 - 19 | 703-82531-00 | 35 - 46 | 6N7-85537-00 | 15 - 1 | | 7 - 37 |
| 6L6-45577-00-15 | 30 - 65 | 703-48236-00 | 35 - 16 | 61A-81824-00 | 18 - 4 | 688-82540-11 | 17 - 1 | 6E5-85540-00 | 15 - 8 | 90119-06M59 | 15 - 5 |
| 6L6-45577-00-18 | 30 - 65 | 703-48238-00 | 35 - 22 | 6K7-81826-10 | 18 - 14 | 703-82540-00 | 35 - 50 | 6N7-85542-01-1S | 15 - 2 | 90119-06M65 | 14 - 20 |
| 6L6-45577-00-30 | 30 - 65 | 703-48243-00 | 35 - 15 | 6N7-81830-00 | 18 - 13 | 703-82542-00 | 35 - 63 | 689-85547-00 | 19 - 42 | 90119-06M95 | 13 - 30 |
| 6L6-45577-00-40 | 30 - 65 | 703-48244-00 | 35 - 21 | 6N7-81840-00 | 18 - 7 | 6R3-82553-70 | 36 - 16 | 6E5-85550-00 | 14 - 1 | | 13 - 40 |
| 6L6-45577-00-50 | 30 - 65 | 703-48245-00 | 35 - 11 | 6N7-81850-10 | 18 - 2 | 6E5-82554-00 | 17 - 2 | 6R3-85570-01 | 16 - 2 | 90119-08MA3 | 3 - 19 |
| 6E5-45587-01-10 | 30 - 37 | 703-48246-00 | 35 - 23 | 6N7-81857-00 | 18 - 12 | 663-82555-01 | 17 - 3 | 6E5-85580-00 | 14 - 3 | 90119-08MA8 | 5 - 3 |
| 6E5-45587-01-12 | 30 - 37 | 701-48248-00 | 35 - 13 | 61A-81941-00 | 16 - 6 | 682-82556-00 | 17 - 16 | 6E5-86110-02 | 16 - 11 | 90119-08M14 | 30 - 33 |
| 6E5-45587-01-15 | 30 - 37 | 703-48252-00 | 35 - 12 | 6E5-81948-10 | 16 - 8 | | 20 - 62 | 6E5-86116-01 | 16 - 12 | | 38 - 26 |
| 6E5-45587-01-18 | 30 - 37 | 703-48261-01 | 35 - 2 | 6E5-81948-22 | 16 - 8 | | 35 - 48 | 6G5-87149-10 | 16 - 36 | 90119-08M22 | 19 - 24 |
| 6E5-45587-01-30 | 30 - 37 | 703-48264-00 | 35 - 6 | 6E5-8195A-00 | 16 - 35 | 688-82560-10 | 16 - 17 | 90101-06M27 | 20 - 49 | 90119-08M26 | 13 - 26 |
| 6E5-45587-01-40 | 30 - 37 | 703-48265-00 | 35 - 9 | 6E5-81950-00 | 16 - 34 | 703-82563-02 | 35 - 55 | 90101-10M02 | 29 - 38 | 90119-08M57 | 18 - 22 |
| 6E5-45587-01-50 | 30 - 37 | 703-48268-00 | 35 - 5 | 689-81952-10 | 16 - 7 | 6E3-8257H-00 | 19 - 45 | 90101-12M03 | 22 - 42 | 90119-08M76 | 18 - 20 |
| 6E5-45611-01 | 30 - 48 | 703-48271-00 | 35 - 60 | 6H0-81960-00 | 15 - 13 | 689-8257Y-00 | 20 - 63 | | 25 - 40 | 90119-08M77 | 18 - 21 |
| 6E5-45631-01 | 30 - 56 | 703-48281-00 | 35 - 31 | 6E5-81961-00 | 15 - 14 | 688-82575-01 | 17 - 15 | 90101-12M06 | 20 - 22 | 90119-08M79 | 29 - 13 |
| 6E5-45633-01 | 30 - 57 | 703-48282-00 | 35 - 32 | 61U-82105-01 | 16 - 20 | | 35 - 47 | 90105-10M00 | 31 - 15 | 90119-08M94 | 3 - 10 |
| 6E5-45634-01 | 30 - 50 | 703-48284-00 | 35 - 52 | 6E5-82116-00 | 16 - 38 | 697-82575-00 | 20 - 61 | 90105-10M20 | 3 - 9 | 90119-08027 | 29 - 7 |
| 6E5-45641-02 | 30 - 49 | 701-48287-00 | 35 - 42 | 6E5-82117-01 | 16 - 21 | 676-82577-00 | 17 - 5 | 90109-06M07 | 24 - 3 | 90119-10M89 | 31 - 7 |
| 688-45930-02-98 | 31 - 26 | 703-48291-10 | 35 - 39 | 6Y5-82117-00 | 36 - 15 | 703-82577-00 | 35 - 45 | 90109-08022 | 4 - 22 | 90149-05M13 | 20 - 7 |
| 688-45941-00-EL | 31 - 26 | 703-48293-10 | 35 - 41 | 6G5-82119-00 | 16 - 37 | 688-8258A-20 | 35 - 49 | 90109-12M37 | 23 - 30 | 90149-05095 | 13 - 56 |

NUMERICAL INDEX
INDICE NUMERICO

| PART NO. CODIGO NO. | REF. NO. | PART NO. CODIGO NO. | REF. NO. | PART NO. CODIGO NO. | REF. NO. | PART NO. CODIGO NO. | REF. NO. | PART NO. CODIGO NO. | REF. NO. | PART NO. CODIGO NO. | REF. NO. |
|------------------------|-------------|------------------------|-------------|------------------------|-------------|------------------------|-------------|------------------------|-------------|------------------------|-------------|
| 90152-05M00 | 24 - 25 | 90201-15M00 | 23 - 29 | 90338-05M03 | 19 - 34 | 90445-07M24 | 7 - 10 | 90468-05M03 | 11 - 41 | 92903-06600 | 7 - 33 |
| 90152-05M07 | 31 - 12 | | 26 - 35 | 90340-08002 | 30 - 6 | 90445-07M25 | 6 - 11 | 90468-07M02 | 6 - 14 | | 14 - 8 |
| 90157-06M01 | 19 - 32 | 90201-15M58 | 23 - 16 | 90340-14M00 | 3 - 6 | 90445-07M27 | 6 - 17 | | 6 - 19 | | 15 - 17 |
| | 19 - 35 | | 26 - 22 | 90385-12M04 | 13 - 28 | 90445-07M28 | 6 - 9 | | 11 - 29 | 92903-08100 | 13 - 50 |
| 90157-06013 | 21 - 11 | 90201-16M55 | 23 - 13 | 90386-05M54 | 11 - 38 | | 7 - 9 | 90468-18008 | 13 - 64 | 92903-08600 | 21 - 46 |
| | 21 - 26 | | 26 - 19 | 90386-06M12 | 21 - 43 | 90445-07M32 | 11 - 28 | | 21 - 41 | 92903-10600 | 20 - 8 |
| 90159-06M11 | 15 - 12 | 90201-21M18 | 14 - 5 | 90386-08032 | 20 - 10 | 90445-07M46 | 6 - 15 | 90480-10M36 | 19 - 26 | 92905-06100 | 13 - 16 |
| 90170-16M01 | 30 - 45 | 90201-21M75 | 4 - 24 | | 24 - 19 | | 7 - 11 | 90480-20M05 | 5 - 20 | 92990-05100 | 36 - 7 |
| 90170-20137 | 14 - 6 | 90201-22M01 | 30 - 21 | 90386-10M16 | 22 - 33 | 90445-07M59 | 6 - 16 | 90480-22M15 | 19 - 20 | | 37 - 28 |
| 90171-18M04 | 31 - 24 | 90201-26M57 | 23 - 27 | | 25 - 31 | 90445-13M00 | 12 - 8 | 90501-07M81 | 11 - 39 | 92990-05600 | 6 - 5 |
| 90175-06003 | 20 - 51 | | 26 - 33 | 90386-10009 | 20 - 37 | | 32 - 15 | 90501-11M10 | 30 - 19 | | 7 - 5 |
| | 20 - 55 | 90201-26M59 | 22 - 16 | 90386-12089 | 20 - 24 | 90445-13M01 | 12 - 6 | 90501-12082 | 21 - 48 | 92990-06100 | 11 - 18 |
| 90179-06M24 | 1 - 16 | | 25 - 19 | | 21 - 17 | | 32 - 13 | 90501-16M11 | 5 - 19 | | 15 - 10 |
| 90179-06066 | 23 - 25 | 90201-30M92 | 30 - 66 | 90386-13M38 | 19 - 5 | 90445-13M02 | 11 - 34 | 90501-16M12 | 21 - 12 | | 17 - 10 |
| | 26 - 31 | 90201-38M60 | 23 - 5 | | 19 - 11 | 90445-13M11 | 11 - 3 | 90501-16M17 | 20 - 35 | 92990-06200 | 13 - 60 |
| 90183-05M02 | 29 - 28 | | 26 - 11 | 90386-16M66 | 21 - 53 | 90446-15M07 | 10 - 47 | 90501-16M28 | 23 - 23 | | 13 - 63 |
| 90185-05002 | 31 - 13 | 90202-06009 | 13 - 62 | 90386-18M44 | 22 - 40 | 90464-12M00 | 14 - 12 | | 26 - 29 | | 21 - 8 |
| 90185-06M07 | 21 - 9 | 90202-08M08 | 24 - 20 | | 24 - 5 | 90465-05M87 | 16 - 32 | 90501-16M37 | 30 - 51 | 92990-06600 | 15 - 11 |
| 90185-08057 | 20 - 58 | 90202-08M20 | 21 - 40 | 90386-22M13 | 21 - 19 | 90465-06M86 | 3 - 27 | 90501-23215 | 20 - 9 | | 19 - 33 |
| 90185-09M01 | 33 - 6 | 90202-12092 | 20 - 25 | 90386-22M98 | 25 - 38 | | 6 - 25 | 90502-20M03 | 22 - 22 | | 19 - 36 |
| 90185-10051 | 20 - 39 | | 21 - 20 | | 27 - 33 | | 7 - 15 | 90506-08M23 | 13 - 54 | | 20 - 46 |
| | 23 - 4 | 90202-16061 | 21 - 54 | 90386-25M31 | 22 - 15 | | 15 - 19 | 90506-09M09 | 24 - 27 | | 20 - 50 |
| 90185-12M12 | 23 - 31 | 90202-26M18 | 23 - 28 | | 25 - 18 | 90465-06M90 | 13 - 68 | 90506-14M24 | 22 - 38 | | 22 - 9 |
| | 26 - 37 | | 26 - 34 | 90386-38M32 | 23 - 6 | | 20 - 59 | | 25 - 36 | | 24 - 10 |
| 90185-12058 | 20 - 28 | 90202-32M19 | 23 - 12 | | 26 - 12 | 90465-08M46 | 11 - 24 | 90506-23M10 | 24 - 12 | | 25 - 12 |
| 90185-14M00 | 23 - 17 | | 26 - 18 | 90386-38M89 | 23 - 6 | 90465-08M63 | 25 - 23 | 90508-12015 | 13 - 55 | 92990-08600 | 18 - 23 |
| | 23 - 31 | 90202-40M47 | 26 - 7 | | 26 - 12 | 90465-08M89 | 16 - 33 | 90508-29M12 | 21 - 22 | | 35 - 34 |
| | 26 - 23 | 90206-10M04 | 21 - 34 | 90387-06M29 | 21 - 33 | 90465-11M10 | 10 - 4 | 90560-12M01 | 33 - 4 | 92990-10100 | 29 - 40 |
| | 26 - 37 | 90206-12054 | 20 - 27 | 90387-06M35 | 1 - 19 | | 10 - 5 | 91490-16012 | 13 - 61 | 92990-10600 | 29 - 39 |
| 90185-22M11 | 22 - 17 | 90206-13M10 | 19 - 6 | 90387-06M77 | 15 - 15 | | 10 - 21 | 91490-25012 | 20 - 47 | 92990-12200 | 20 - 23 |
| | 25 - 20 | | 19 - 12 | 90387-08M05 | 13 - 27 | | 10 - 40 | | 24 - 11 | 92990-18200 | 31 - 23 |
| 90201-05M06 | 11 - 40 | 90206-22M19 | 30 - 22 | 90387-08M16 | 21 - 18 | | 10 - 41 | | 24 - 15 | 92995-05600 | 11 - 44 |
| 90201-06M05 | 15 - 18 | 90240-06M07 | 24 - 9 | 90387-08M37 | 19 - 21 | | 10 - 45 | 91490-30025 | 24 - 29 | 92995-06100 | 6 - 30 |
| 90201-06068 | 10 - 15 | 90249-06M19 | 22 - 35 | 90387-10M05 | 22 - 36 | | 10 - 46 | 91490-40030 | 31 - 25 | | 7 - 20 |
| 90201-08M13 | 21 - 21 | | 25 - 33 | | 25 - 34 | | 11 - 2 | 91609-30010 | 16 - 13 | | 11 - 46 |
| 90201-08M14 | 27 - 30 | 90250-08M07 | 30 - 55 | 90387-10M61 | 33 - 3 | | 11 - 4 | 91690-30012 | 21 - 3 | | 11 - 50 |
| 90201-08M23 | 21 - 16 | 90254-03003 | 20 - 13 | 90387-12M30 | 20 - 40 | | 11 - 23 | 91690-30014 | 22 - 21 | | 13 - 36 |
| 90201-08M54 | 19 - 22 | | 24 - 23 | 90430-08020 | 30 - 8 | | 11 - 31 | 91690-30020 | 22 - 37 | | 13 - 44 |
| 90201-10M20 | 33 - 7 | 90266-06M02 | 1 - 6 | | 38 - 8 | | 11 - 32 | | 25 - 35 | | 17 - 18 |
| 90201-10120 | 20 - 38 | | 2 - 6 | 90430-14115 | 3 - 7 | | 11 - 35 | 92900-05100 | 8 - 27 | | 22 - 5 |
| 90201-12M05 | 22 - 44 | 90266-06009 | 1 - 5 | 90445-07MA3 | 11 - 27 | | 25 - 21 | | 8 - 29 | | 25 - 5 |
| | 25 - 42 | | 2 - 5 | 90445-07ME8 | 30 - 11 | | 26 - 5 | 92903-05600 | 10 - 24 | 92995-06200 | 16 - 31 |
| 90201-12M34 | 20 - 41 | 90269-02M09 | 20 - 6 | 90445-07ME9 | 30 - 11 | | 31 - 18 | 92903-06100 | 17 - 12 | 92995-06600 | 1 - 10 |
| 90201-12537 | 20 - 26 | 90280-04M05 | 30 - 29 | 90445-07MF0 | 31 - 16 | 90465-12M25 | 16 - 31 | | 17 - 14 | | 2 - 10 |
| 90201-13M01 | 22 - 43 | | 38 - 27 | 90445-07M23 | 6 - 12 | 90465-13M18 | 5 - 25 | | 20 - 32 | | 2 - 17 |
| | 25 - 41 | 90280-05015 | 14 - 4 | | 6 - 36 | | 16 - 40 | 92903-06600 | 3 - 17 | | 6 - 27 |
| 90201-14M56 | 23 - 29 | 90282-04010 | 30 - 67 | | 7 - 29 | | 26 - 43 | | 6 - 24 | | 7 - 17 |
| | 26 - 35 | 90338-05M03 | 19 - 31 | 90445-07M24 | 6 - 10 | 90467-08004 | 5 - 16 | | 6 - 40 | | 10 - 19 |

NUMERICAL INDEX
INDICE NUMERICO

| PART NO. CODIGO NO. | REF. NO. | PART NO. CODIGO NO. | REF. NO. | PART NO. CODIGO NO. | REF. NO. | PART NO. CODIGO NO. | REF. NO. | PART NO. CODIGO NO. | REF. NO. | PART NO. CODIGO NO. | REF. NO. |
|------------------------|-------------|------------------------|-------------|------------------------|-------------|------------------------|-------------|------------------------|-------------|------------------------|-------------|
| 92995-06600 | 10 - 38 | 93101-28M16 | 38 - 14 | 93410-18M02 | 22 - 41 | 95780-05300 | 20 - 45 | 97095-06020 | 16 - 3 | 97885-06016 | 26 - 30 |
| | 11 - 21 | 93101-30M17 | 30 - 63 | 93410-22M11 | 25 - 39 | 95780-10300 | 26 - 9 | | 19 - 29 | 97980-05108 | 9 - 30 |
| | 11 - 26 | | 38 - 17 | 93410-37M04 | 23 - 8 | 95780-12300 | 22 - 24 | | 19 - 39 | 97980-05116 | 9 - 5 |
| | 11 - 47 | 93102-08M43 | 28 - 36 | | 26 - 14 | 97013-06016 | 3 - 16 | 97095-06025 | 21 - 35 | 98503-05035 | 10 - 23 |
| | 13 - 37 | 93102-35M13 | 4 - 12 | 93410-40M03 | 4 - 10 | | 20 - 31 | 97095-06028 | 10 - 2 | 98580-03015 | 35 - 38 |
| | 13 - 59 | | 37 - 12 | 93420-36M01 | 29 - 34 | 97013-06020 | 6 - 39 | 97095-06030 | 22 - 4 | 98580-04006 | 35 - 36 |
| | 13 - 67 | 93102-40M14 | 4 - 5 | 93430-06024 | 35 - 10 | | 7 - 32 | | 25 - 4 | 98580-04010 | 35 - 35 |
| | 14 - 15 | | 37 - 10 | 93501-04M02 | 21 - 47 | | 17 - 13 | 97095-06050 | 10 - 37 | 98580-05010 | 35 - 37 |
| | 15 - 7 | 93106-09014 | 30 - 15 | 93503-16003 | 30 - 54 | 97013-06030 | 17 - 11 | 97095-08016 | 18 - 24 | 98586-05016 | 32 - 4 |
| | 15 - 21 | | 38 - 10 | 93507-32009 | 30 - 52 | 97013-06045 | 6 - 23 | 97095-08020 | 21 - 4 | 98780-04015 | 3 - 13 |
| | 16 - 4 | 93109-38M02 | 23 - 1 | 93511-32017 | 30 - 53 | | 15 - 16 | | 25 - 16 | 99001-08600 | 30 - 18 |
| | 16 - 10 | 93210-03261 | 16 - 16 | 93515-32M01 | 20 - 36 | 97013-06060 | 14 - 7 | 97095-08025 | 30 - 41 | | |
| | 16 - 15 | 93210-08287 | 12 - 3 | 93603-21111 | 4 - 23 | 97013-08016 | 13 - 49 | 97095-08030 | 29 - 20 | | |
| | 16 - 24 | | 12 - 5 | 93606-12019 | 30 - 32 | 97013-08030 | 21 - 45 | 97095-08045 | 29 - 14 | | |
| | 16 - 27 | | 32 - 10 | | 38 - 25 | 97013-08045 | 21 - 15 | | 29 - 24 | | |
| | 16 - 30 | | 32 - 12 | 93608-12M05 | 29 - 6 | 97075-08035 | 19 - 23 | | 29 - 31 | | |
| | 19 - 19 | 93210-09165 | 21 - 52 | | 29 - 11 | 97075-10045 | 31 - 5 | 97095-10045 | 22 - 10 | | |
| | 19 - 30 | 93210-10M74 | 27 - 4 | | 29 - 36 | 97080-06035 | 20 - 54 | | 23 - 20 | | |
| | 19 - 40 | 93210-16275 | 33 - 9 | | 31 - 4 | 97080-08016 | 27 - 31 | | 23 - 34 | | |
| | 25 - 8 | 93210-37MH7 | 26 - 6 | 93608-12063 | 3 - 8 | 97095-05010 | 11 - 43 | | 26 - 26 | | |
| | 29 - 5 | 93210-37160 | 30 - 27 | 93700-06M03 | 20 - 17 | 97095-06010 | 13 - 58 | | 26 - 40 | | |
| 92995-08100 | 21 - 5 | | 38 - 12 | | 21 - 50 | | 22 - 30 | 97305-06012 | 13 - 21 | | |
| | 25 - 17 | | 38 - 21 | | 22 - 12 | | 25 - 7 | 97305-06016 | 13 - 17 | | |
| | 29 - 15 | 93210-55M14 | 30 - 39 | | 22 - 26 | | 25 - 28 | 97305-06025 | 13 - 22 | | |
| | 29 - 17 | | 38 - 15 | | 25 - 13 | | 29 - 4 | 97380-05025 | 35 - 8 | | |
| 92995-08600 | 18 - 25 | 93210-58144 | 30 - 14 | | 25 - 24 | 97095-06012 | 6 - 26 | 97380-08030 | 35 - 33 | | |
| | 20 - 57 | | 38 - 9 | 94702-00160 | 5 - 26 | | 7 - 16 | 97595-06416 | 10 - 14 | | |
| | 24 - 14 | 93210-74M35 | 4 - 14 | 94702-00247 | 5 - 26 | | 11 - 25 | 97595-06514 | 10 - 17 | | |
| | 24 - 21 | | 37 - 14 | 95303-06600 | 21 - 13 | | 11 - 45 | 97607-04310 | 28 - 32 | | |
| | 29 - 21 | 93210-86M38 | 30 - 26 | | 21 - 27 | | 15 - 6 | 97780-60525 | 26 - 2 | | |
| | 29 - 25 | | 38 - 11 | 95380-03600 | 10 - 34 | | 15 - 20 | 97880-05008 | 8 - 26 | | |
| | 29 - 32 | | 38 - 20 | 95380-05600 | 11 - 37 | | 16 - 23 | 97880-05016 | 8 - 28 | | |
| | 30 - 42 | 93210-86M39 | 30 - 64 | | 20 - 43 | | 16 - 26 | | 37 - 27 | | |
| 92995-10100 | 22 - 11 | | 38 - 16 | | 21 - 24 | | 16 - 29 | 97880-05025 | 6 - 4 | | |
| | 23 - 21 | 93211-04001 | 4 - 6 | | 21 - 30 | 97095-06016 | 1 - 9 | | 7 - 4 | | |
| | 23 - 35 | | 37 - 11 | | 35 - 7 | | 2 - 9 | 97880-06012 | 22 - 8 | | |
| | 26 - 27 | 93306-208U0 | 4 - 9 | | 36 - 6 | | 2 - 16 | | 25 - 11 | | |
| | 26 - 41 | | 30 - 59 | 95380-06600 | 6 - 29 | | 10 - 18 | 97880-06016 | 11 - 16 | | |
| | 31 - 6 | 93310-836U0 | 4 - 25 | | 7 - 19 | | 11 - 49 | 97880-06018 | 14 - 11 | | |
| 92995-12200 | 22 - 23 | 93310-954U1 | 4 - 8 | | 13 - 38 | | 16 - 9 | 97880-06025 | 17 - 9 | | |
| 92995-14200 | 23 - 28 | 93311-940U3 | 4 - 4 | | 13 - 45 | | 16 - 14 | 97880-06040 | 15 - 9 | | |
| | 26 - 34 | 93315-425U7 | 30 - 47 | | 35 - 40 | | 17 - 17 | 97885-05012 | 20 - 19 | | |
| 92995-14600 | 23 - 18 | 93315-430U8 | 30 - 62 | 95380-08700 | 29 - 16 | | 19 - 18 | 97885-06008 | 20 - 18 | | |
| | 26 - 24 | 93315-628U9 | 30 - 3 | 95380-10600 | 29 - 41 | | 24 - 17 | 97885-06010 | 14 - 14 | | |
| 92995-16600 | 22 - 22 | 93317-330U2 | 30 - 36 | 95380-12600 | 22 - 45 | 97095-06020 | 11 - 20 | 97885-06012 | 17 - 6 | | |
| 93101-22M15 | 4 - 13 | 93332-000U7 | 30 - 4 | | 25 - 43 | | 13 - 35 | | 20 - 60 | | |
| | 37 - 13 | 93341-930V2 | 30 - 38 | 95380-14800 | 23 - 17 | | 13 - 43 | 97885-06016 | 23 - 24 | | |
| 93101-28M16 | 30 - 35 | 93410-16006 | 21 - 55 | | 26 - 23 | | 13 - 66 | | 26 - 4 | | |

E115A/E115A-TUNA
PARTS CATALOGUE
©2001 by Yamaha Motor Co., Ltd.
1st Edition, Oct. 2001
All rights reserved.
Any reprinting or unauthorized use
without the written permission of
Yamaha Motor Co., Ltd.
is expressly prohibited.

E115A/E115A-TUNA
CATALOGO DE REPUESTOS
©2001, Yamaha Motor Co., Ltd.
1ª edición, Oct. 2001
Reservados todos los derechos.
Se prohíbe expresamente toda reimpresión
o utilización no autorizada de este manual
sin el consentimiento por escrito de
Yamaha Motor Co., Ltd.