



PARTS CATALOGUE

XVS1100AP (5KSF) AUSTRALIA

YAMAHA
GENUINE
Parts & Accessories

2A5KS-700E1

XVS1100AP
PARTS CATALOGUE
©2001 by Yamaha Motor Co., Ltd.
1st Edition, Jul. 2001
All rights reserved.
Any reprinting or unauthorized use
without the written permission of
Yamaha Motor Co., Ltd.
is expressly prohibited.

A3



A4

FOREWORD

This Parts Catalogue is related to the parts for the model(s) in the below frame. When you are ordering replacement parts, please refer to this Parts Catalogue and quote both part numbers and part names correctly.

XVS1100AP(5KSF)

1. Modifications or additions which have been made after issue of the Parts Catalogue will be announced in the Yamaha Parts News.
It is advisable that you make necessary corrections to the Parts Catalogue according to the Yamaha Parts News.

2. Abbreviations

The Following abbreviations are used in this Parts Catalogue.

“UR” Use specified parts number.

“UN” Use as many as needed.

“AP” Alternate Parts

“LM” Local Made (Parts need to be ordered locally)

“F#” Frame No. (Applicable machine No.)

3. Parts, which are to be supplied in an assembly, are listed with a dot(.) in front of the part name as shown below.

EXAMPLE

CARBURETOR ASSY

.JET, PILOT

.NOZZLE, MAIN

4. Number of component for assembly

The numeral appearing to the right of each component part indicates the quantity of parts for each assembly unit.

EXAMPLE

PART NO.	DESCRIPTION	Q'TY	REMARKS
2F5-83310-60	FRONT FLASHER LIGHT ASSY	2	
115-83311-60	.BULB (6V-18W)	1	
1M1-83309-60	.REFLECTOR	1	

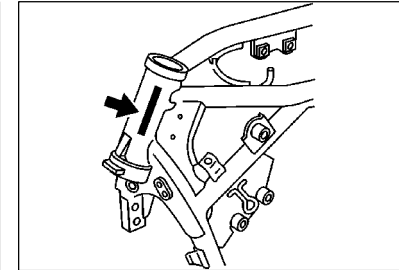
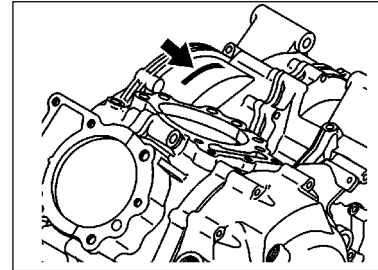
5. Applicable colors of graphics are represented in the “REMARKS” as shown below.

PART NO.	DESCRIPTION	Q'TY	REMARKS
2N4-24110-00-X5	FUEL TANK COMP.	1	MXR
3J1-24240-10	.GRAPHIC, FUEL TANK	1	FOR MXR

6. Applicable Serial No.

Engine Serial No.

Frame Serial No.



7. Note that the illustrations for reference in finding parts numbers, not to be used for assembling. When assembling, please use the applicable service manual.

8. The asterisk (*) before a reference number indicates modification items after the first edition.

CONTENTS

ENGINE

CYLINDER HEAD	B2
CYLINDER	B4
CRANKSHAFT. PISTON	B5
VALVE	B6
CAMSHAFT. CHAIN	B7
OIL PUMP	B8
OIL CLEANER	B9
INTAKE	B10
CARBURETOR	B12
EXHAUST	B15
CRANKCASE	C3
CRANKCASE COVER 1	C4
STARTER	C6
CLUTCH	C7
TRANSMISSION	C9
MIDDLE DRIVE GEAR	C10
SHIFT CAM. FORK	C12
SHIFT SHAFT	C13

CHASSIS

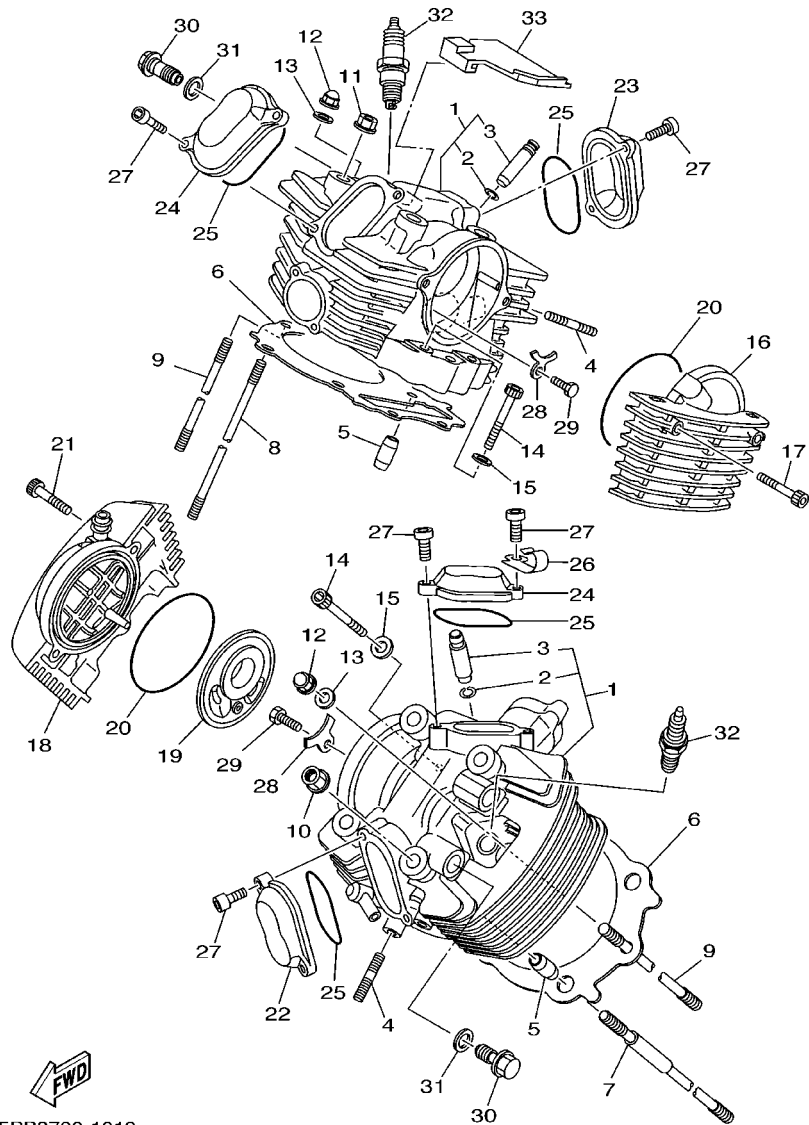
FRAME	C14
FENDER	D2
SIDE COVER	D4
REAR ARM. SUSPENSION	D7
DRIVE SHAFT	D9
STEERING	D11
FRONT FORK	D12
FUEL TANK	D14
SEAT	E2

FRONT WHEEL	E3
FRONT BRAKE CALIPER	E4
REAR WHEEL	E5
REAR BRAKE CALIPER	E6
STEERING HANDLE. CABLE	E7
FRONT MASTER CYLINDER	E8
STAND. FOOTREST	E9
REAR MASTER CYLINDER	E11
GENERATOR	E12
FLASHER LIGHT	E13
METER	E15
HEADLIGHT	F2
TAILLIGHT	F3
HANDLE SWITCH. LEVER	F4
ELECTRICAL 1	F5
ELECTRICAL 2	F6

INDEX

NUMERICAL INDEX	M1
-----------------------	----

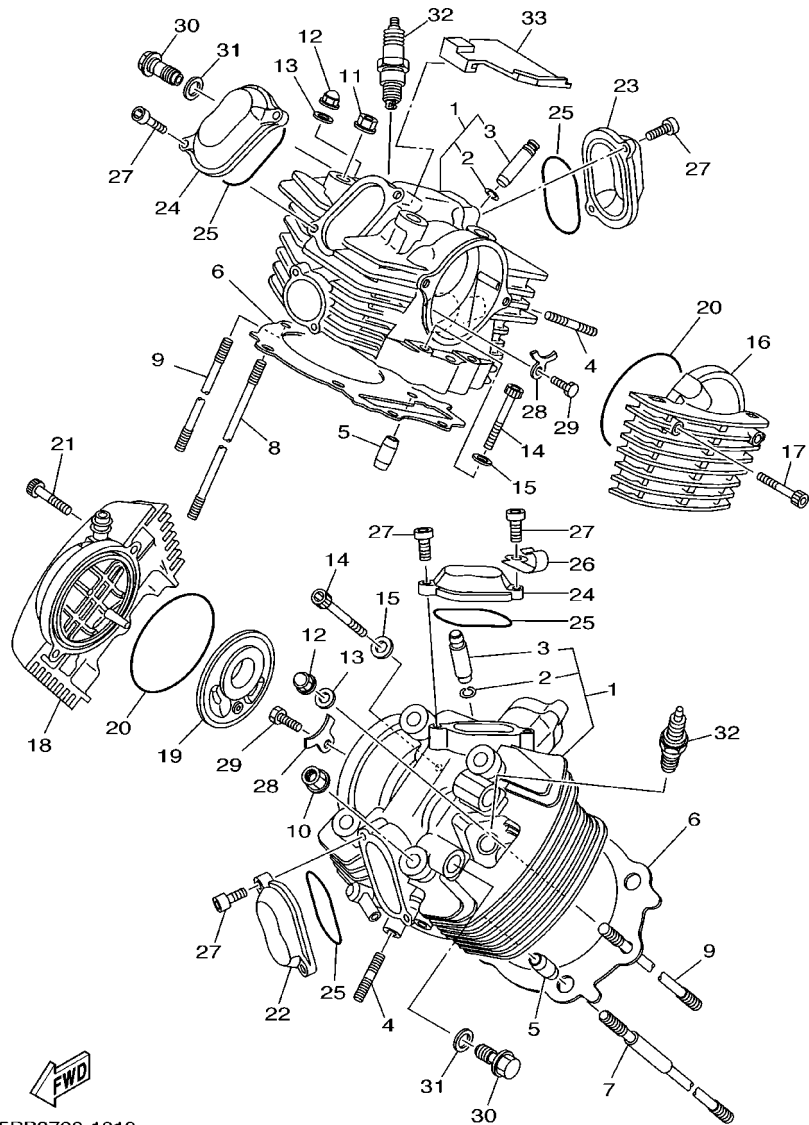
FIG. 1 CYLINDER HEAD



5PB3700-1010

REF. NO.	PART NO.	DESCRIPTION	5KSF				REMARKS
1	5KS-11101-00	CYLINDER HEAD ASSY	2				
2	93440-14086	.CIRCLIP	2				
3	4X7-11133-10	.GUIDE, IN./EX. VALVE	2				
4	95617-08625	BOLT, STUD	4				
5	91817-30011	PIN, DOWEL	4				
6	5EL-11181-00	GASKET, CYLINDER HEAD 1	2				
7	4X7-11363-01	BOLT, CYLINDER HOLDING 3	4				
8	90116-12469	BOLT, STUD	4				
9	90116-10344	BOLT, STUD	2				
10	90179-12326	NUT	4				
11	90179-12325	NUT	4				
12	90176-10075	NUT, CROWN	2				
13	90201-101A4	WASHER, PLATE	2				
14	91314-08050	BOLT	4				
15	92907-08600	WASHER, PLATE	4				
16	5KS-1111H-00	COVER, CYLINDER HEAD SIDE 4	1				
17	91314-06035	BOLT	2				
18	5KS-11185-00	COVER, CYLINDER HEAD SIDE 1	1				
19	42X-11165-00	PLATE, BREATHER	1				
20	93210-92448	O-RING	2				
21	91314-06035	BOLT	2				
22	42H-11186-01	COVER, CYLINDER HEAD SIDE 2	1				
23	5EL-11187-00	COVER, CYLINDER HEAD SIDE 3	1				
24	4X7-11187-01	COVER, CYLINDER HEAD SIDE 3	2				
25	93210-62446	O-RING	4				
26	90465-10264	CLAMP	1				
27	91314-06016	BOLT	8				

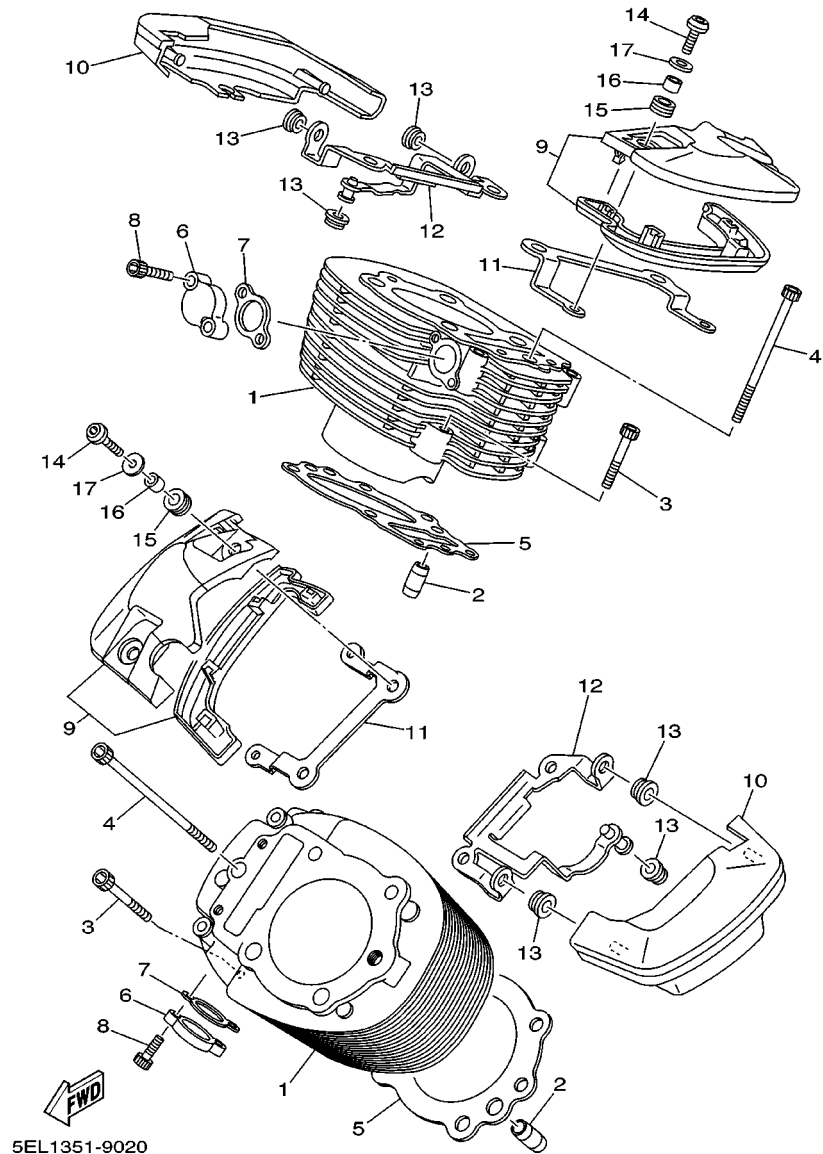
FIG. 1 CYLINDER HEAD



5PB3700-1010

REF. NO.	PART NO.	DESCRIPTION	5KSF				REMARKS
28	4X7-1111F-00	PLATE	2				
29	97017-08020	BOLT	2				
30	90401-16002	BOLT, UNION	2				
31	90430-17168	GASKET	2				
32	94701-00218	PLUG, SPARK (NGK BPR7ES)	2				UR
	94701-00220	PLUG, SPARK (ND W22EPR-U)	2				UR
33	5EL-1112M-00	COVER	1				

FIG. 2 CYLINDER



5EL1351-9020

REF. NO.	PART NO.	DESCRIPTION	5KSF				REMARKS
1	5KS-11311-00	CYLINDER 1	2				
2	90387-087A5	COLLAR	4				
3	91314-06040	BOLT	4				
4	91314-06100	BOLT	2				
5	5EL-11351-00	GASKET, CYLINDER	2				
6	5KS-12215-00	CAP, TENSIONER CASE	2				
7	4FM-12213-00	GASKET, TENSIONER CASE	2				
8	91314-06025	BOLT	4				
9	5EL-11190-00	COVER, CYLINDER HEAD 1	2				
10	5EL-11186-00	COVER, CYLINDER HEAD SIDE 2	2				
11	5EL-11152-00	BRACKET, CYLINDER HEAD COVER	2				
12	5EL-11142-01	BRACKET, CYLINDER HEAD COVER 2	2				
13	90480-10627	GROMMET	6				
14	90149-06298	SCREW	4				
15	90480-13018	GROMMET	4				
16	90387-06043	COLLAR	4				
17	90201-06057	WASHER, PLATE	4				

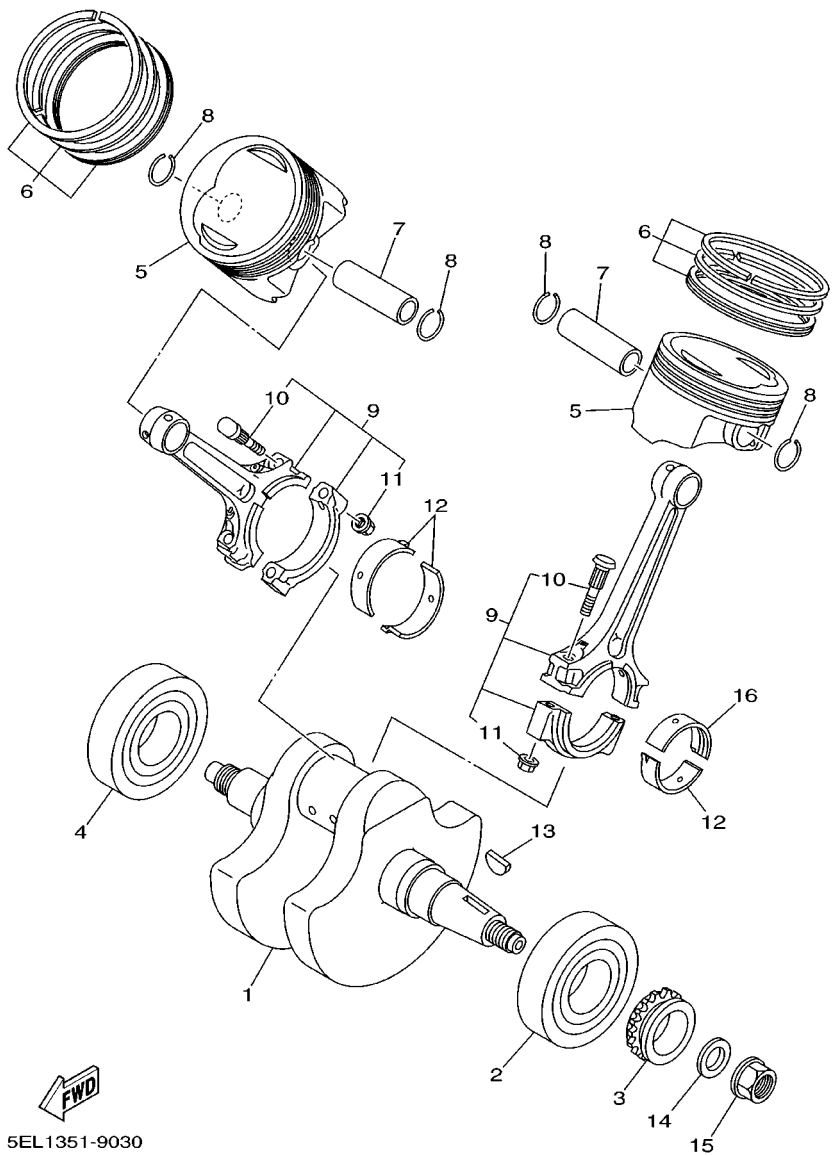
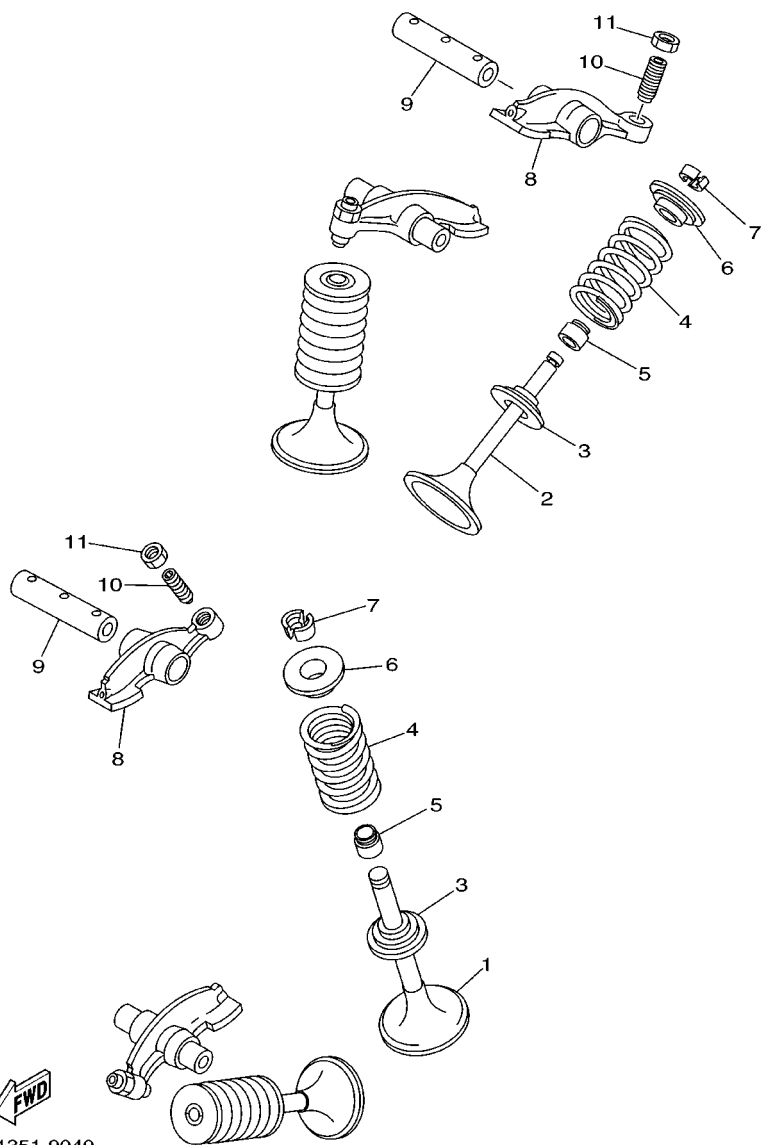


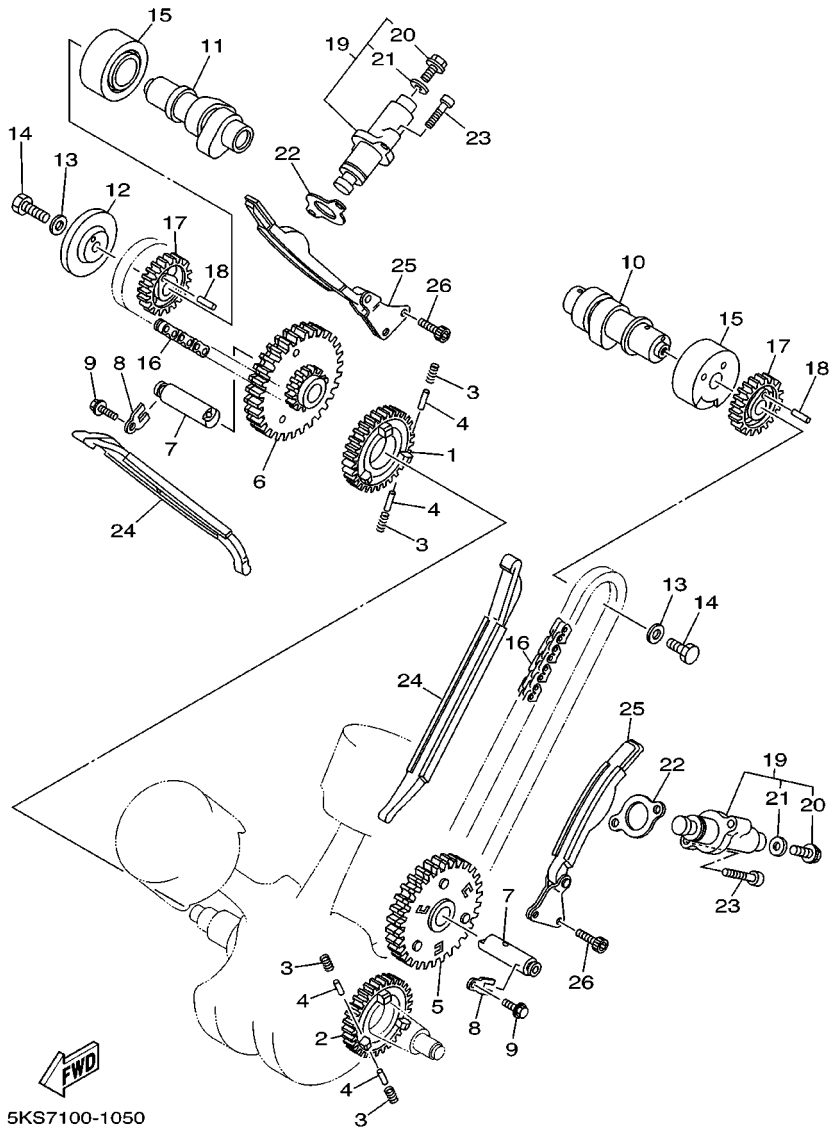
FIG. 3 CRANKSHAFT. PISTON

REF. NO.	PART NO.	DESCRIPTION	5KSF				REMARKS
1	5EL-11411-10	CRANKSHAFT	1				
2	93306-30808	BEARING	1				
3	4X7-13354-00	SPROCKET, DRIVE	1				
4	93306-30808	BEARING	1				
5	5EL-11631-10	PISTON (STD)	2				
6	1TA-11610-00	PISTON RING SET (STD)	2				
7	4WM-11633-00	PIN, PISTON	2				
8	93450-24028	CIRCLIP	4				
9	5EL-11650-10	CONNECTING ROD ASSY	2				
10	4X7-11654-01	.BOLT, CONNECTING ROD	2				
11	90179-09379	.NUT	2				
12	4X7-11656-00	PLANE BEARING, CONNECTING ROD	3				UR BLUE
	4X7-11656-10	PLANE BEARING, CONNECTING ROD	3				UR BLACK
	4X7-11656-20	PLANE BEARING, CONNECTING ROD	3				UR BROWN
	4X7-11656-30	PLANE BEARING, CONNECTING ROD	3				UR GREEN
	4X7-11656-40	PLANE BEARING, CONNECTING ROD	3				UR YELLOW
13	90280-05048	KEY, WOODRUFF	1				
14	90201-165H4	WASHER, PLATE	1				
15	90179-16448	NUT	1				
16	5G5-11656-00	PLANE BEARING, CONNECTING ROD	1				UR BLACK
	5G5-11656-10	PLANE BEARING, CONNECTING ROD	1				UR BROWN
	5G5-11656-20	PLANE BEARING, CONNECTING ROD	1				UR GREEN

FIG. 4 VALVE

REF. NO.	PART NO.	DESCRIPTION	5KSF				REMARKS
1	2J2-12111-01	VALVE, INTAKE	2				
2	5A8-12121-00	VALVE, EXHAUST	2				
3	4X7-12116-00	SEAT, VALVE SPRING	4				
4	90501-44455	SPRING, COMPRESSION	4				
5	341-12119-02	SEAL, VALVE STEM	4				
6	4X7-12117-00	RETAINER, VALVE SPRING	4				
7	4X7-12118-00	COTTER, VALVE	8				
8	42X-12151-00	ARM, VALVE ROCKER	4				
9	4X7-12156-01	SHAFT, ROCKER 2	4				
10	4X7-12159-00	SCREW, VALVE ADJUSTING	4				
11	90170-08173	NUT	4				



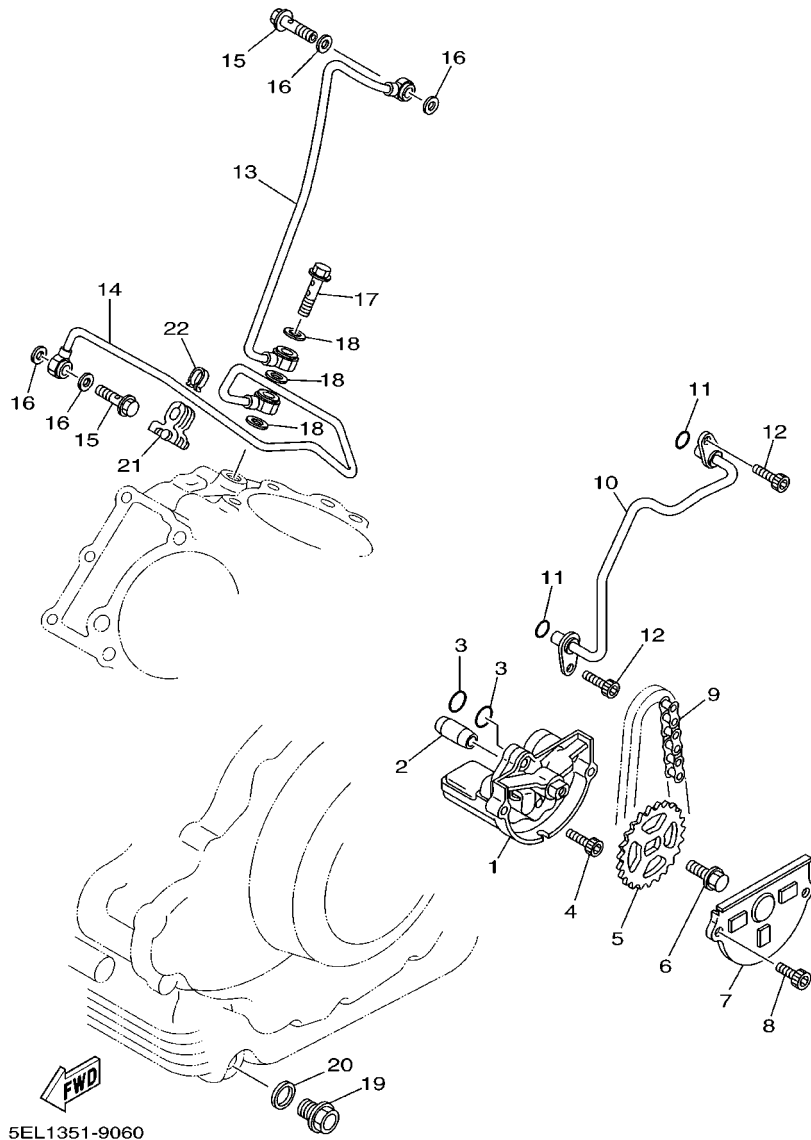


5KS7100-1050

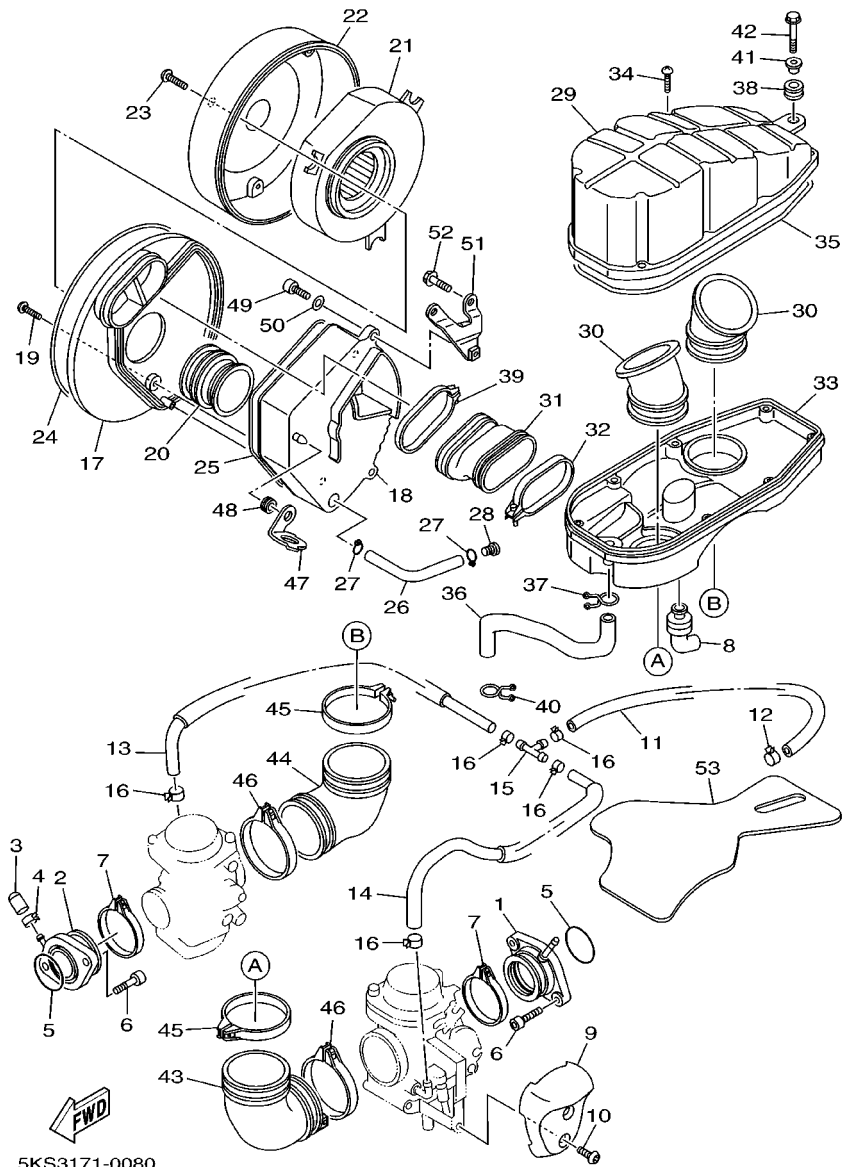
FIG. 5 CAMSHAFT. CHAIN

REF. NO.	PART NO.	DESCRIPTION	5KSF				REMARKS
1	4X7-11536-00	GEAR, DRIVE (35T)	1				
2	4X7-11534-00	GEAR, BREAKER DRIVE (35T)	1				
3	90501-21133	SPRING, COMPRESSION	12				
4	93605-10090	PIN, DOWEL	12				
5	5EL-11540-01	CAM CHAIN SPROCKET ASSY 1	1				
6	5EL-11550-01	CAM CHAIN SPROCKET ASSY 2	1				
7	5EL-12247-00	SHAFT, TENSIONER	2				
8	90209-06205	WASHER	2				
9	90105-06154	BOLT, FLANGE	2				
10	5EL-12171-00	CAMSHAFT 1	1				
11	5EL-12181-00	CAMSHAFT 2	1				
12	42X-11145-00	PLATE, BREATHER 2	1				
13	90201-10591	WASHER, PLATE	2				
14	90101-10303	BOLT	2				
15	90380-25125	BUSH, SOLID	2				
16	94591-49098	CHAIN	2				
17	5EL-12176-00	SPROCKET, CAM CHAIN	2				
18	93604-12037	PIN, DOWEL	2				
19	5EL-12210-01	TENSIONER ASSY, CAM CHAIN	2				
20	5EL-12228-00	.BOLT	1				
21	5EL-12214-00	.GASKET	1				
22	4FM-12213-00	GASKET, TENSIONER CASE	2				
23	91314-06025	BOLT	4				
24	5EL-12231-00	GUIDE, STOPPER 1	2				
25	5EL-12241-00	GUIDE, STOPPER 2	2				
26	91314-06016	BOLT	4				

FIG. 6 OIL PUMP



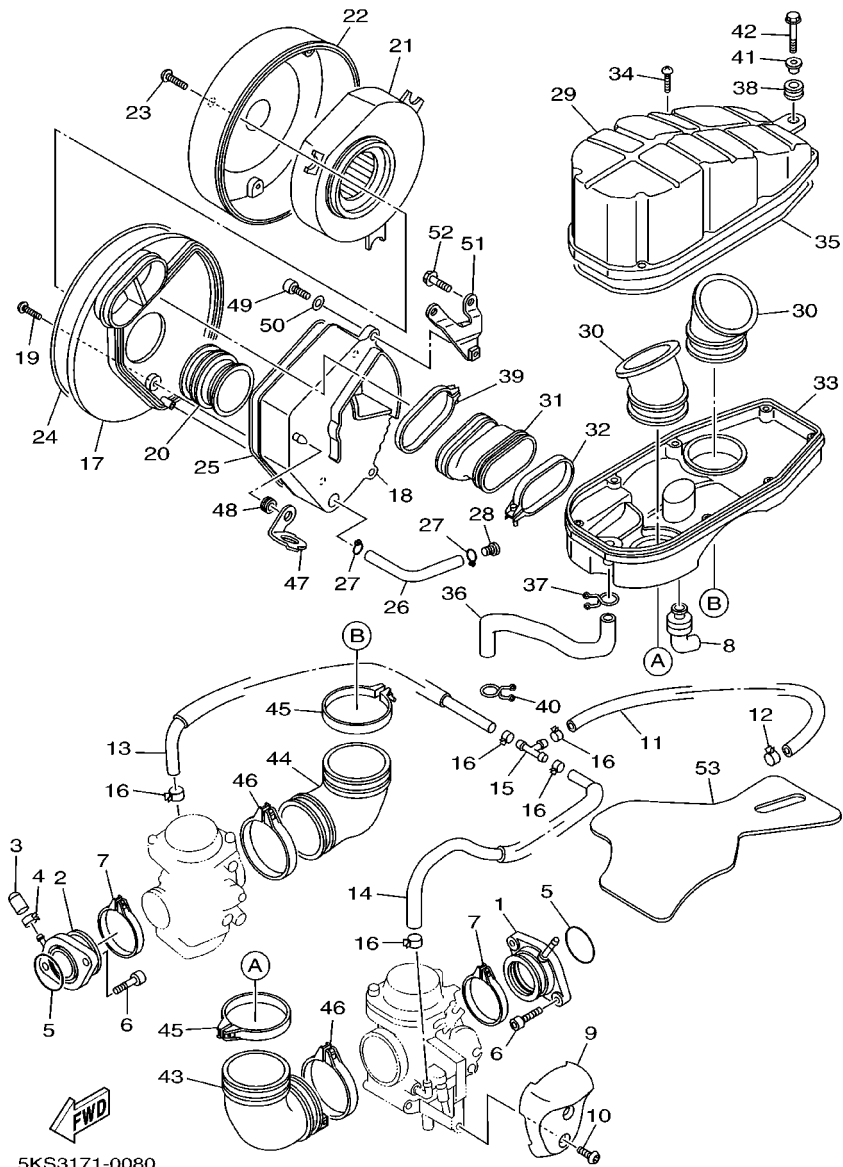
REF. NO.	PART NO.	DESCRIPTION	5KSF					REMARKS
1	5EL-13300-01	OIL PUMP ASSY	1					
2	99530-08016	PIN, DOWEL	1					
3	93210-07135	O-RING	2					
4	91317-06040	BOLT	3					
5	4X7-13355-00	SPROCKET, DRIVEN (35T)	1					
6	90105-06154	BOLT, FLANGE	1					
7	10L-13327-00	COVER, PUMP GEAR	1					
8	91317-06010	BOLT	2					
9	94580-25066	CHAIN	1					
10	4X7-13171-00	PIPE, DELIVERY 2	1					
11	93210-07135	O-RING	2					
12	91317-06010	BOLT	2					
13	5EL-13405-00	OIL PIPE COMP. 1	1					
14	5EL-13406-00	OIL PIPE COMP. 2	1					
15	90401-16001	BOLT, UNION	2					
16	90430-17168	GASKET	4					
17	90401-10102	BOLT, UNION	1					
18	90430-15169	GASKET	3					
19	90340-14132	PLUG, STRAIGHT SCREW	1					
20	214-11198-01	GASKET	1					
21	5EL-15485-00	CLAMP	1					
22	90468-05113	CLIP	1					



5KS3171-0080

FIG. 8 INTAKE

REF. NO.	PART NO.	DESCRIPTION	5KSF				REMARKS
1	5EL-13586-00	JOINT, CARBURETOR 1	1				
2	5EL-13596-00	JOINT, CARBURETOR 2	1				
3	16G-13569-00	PLUG, BLIND	1				
4	90467-10039	CLIP	1				
5	93210-44545	O-RING	2				
6	91317-06020	BOLT	4				
7	5EL-13474-00	BAND	2				
8	5EL-14987-00	HOSE	1				
9	5EL-14283-00	COVER, CARBURETOR 1	1				
10	92014-05012	BOLT, BUTTON HEAD	2				
11	5EL-14294-00	HOSE	1				
12	90467-11175	CLIP	1				
13	5EL-14349-00	PIPE	1				
14	5EL-14348-00	PIPE 1	1				
15	90413-07007	WAY 3	1				
16	90467-10135	CLIP	5				
17	5EL-14411-00	CASE, AIR CLEANER 1	1				
18	5EL-14417-00	COVER 1	1				
19	97707-50116	SCREW, TAPPING	4				
20	5EL-14437-00	DUCT	1				
21	5EL-14451-00	ELEMENT, AIR CLEANER	1				
22	5EL-14421-10	CASE, AIR CLEANER 2	1				
23	92014-05012	BOLT, BUTTON HEAD	3				
24	4TR-14452-00	SEAL	1				
25	5EL-14452-00	SEAL	1				
26	5EL-14148-00	PIPE	1				
27	90467-11106	CLIP	2				

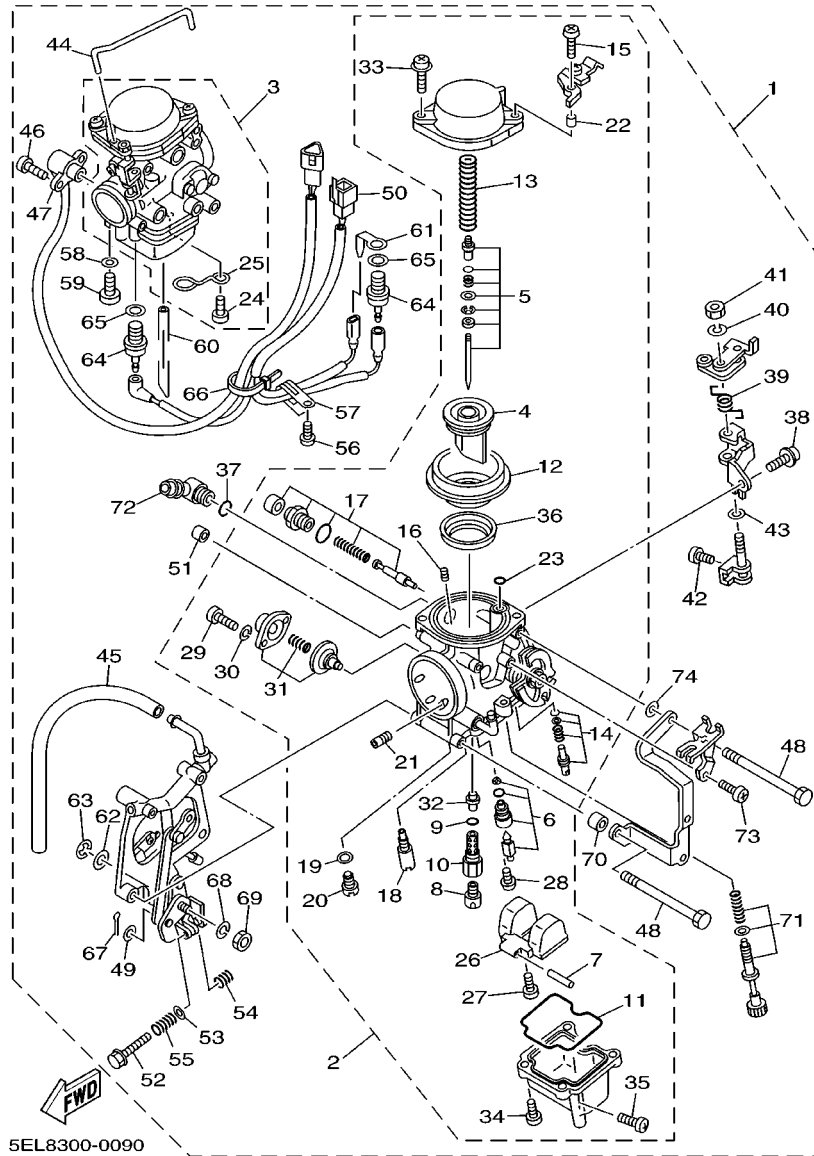


5KS3171-0080

FIG. 8 INTAKE

REF. NO.	PART NO.	DESCRIPTION	5KSF				REMARKS
28	90338-08174	PLUG	1				
29	5EL-14431-00	SILENCER, INTAKE 1	1				
30	5EL-14454-00	JOINT	2				
31	5EL-1440F-00	JOINT, AIR FILTER 1	1				
32	5EL-14455-00	BAND	1				
33	5EL-14432-00	SILENCER, INNER	1				
34	97707-50125	SCREW, TAPPING	8				
35	5EL-14462-00	SEAL	1				
36	5EL-11166-00	PIPE, BREATHER 1	1				
37	90467-14015	CLIP	1				
38	90480-12314	GROMMET	1				
39	5EL-14455-00	BAND	1				
40	90467-14015	CLIP	1				
41	90387-065J6	COLLAR	1				
42	95817-06020	BOLT, FLANGE	1				
43	5EL-14453-00	JOINT, AIR CLEANER 1	1				
44	5EL-14463-00	JOINT, AIR CLEANER 2	1				
45	90450-72095	HOSE CLAMP ASSY	2				
46	90450-63096	HOSE CLAMP ASSY	2				
47	5EL-14499-00	STAY 2	1				
48	90480-13398	GROMMET	1				
49	91317-06020	BOLT	2				
50	92907-06600	WASHER, PLATE	2				
51	5EL-14414-00	STAY 2	1				
52	95817-06010	BOLT, FLANGE	2				
53	5EL-12682-00	PROTECTOR, HEAT	1				

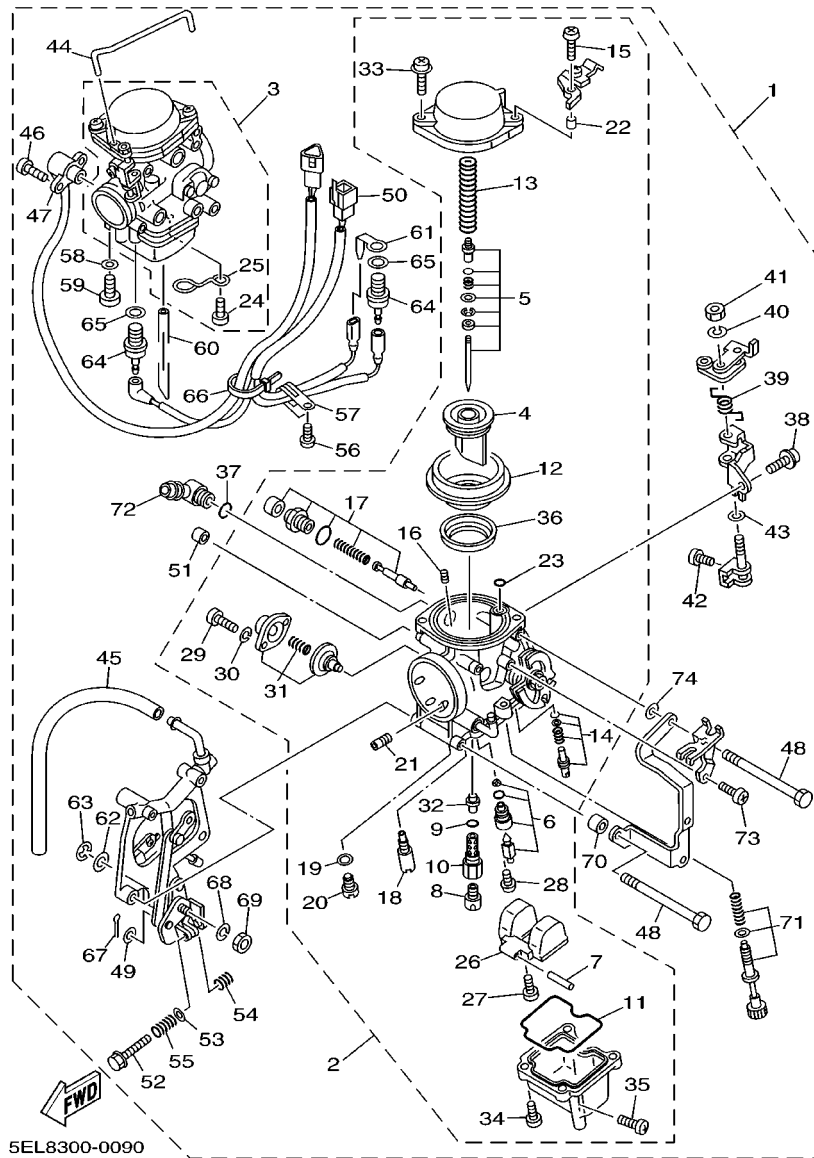
FIG. 9 CARBURETOR



5EL8300-0090

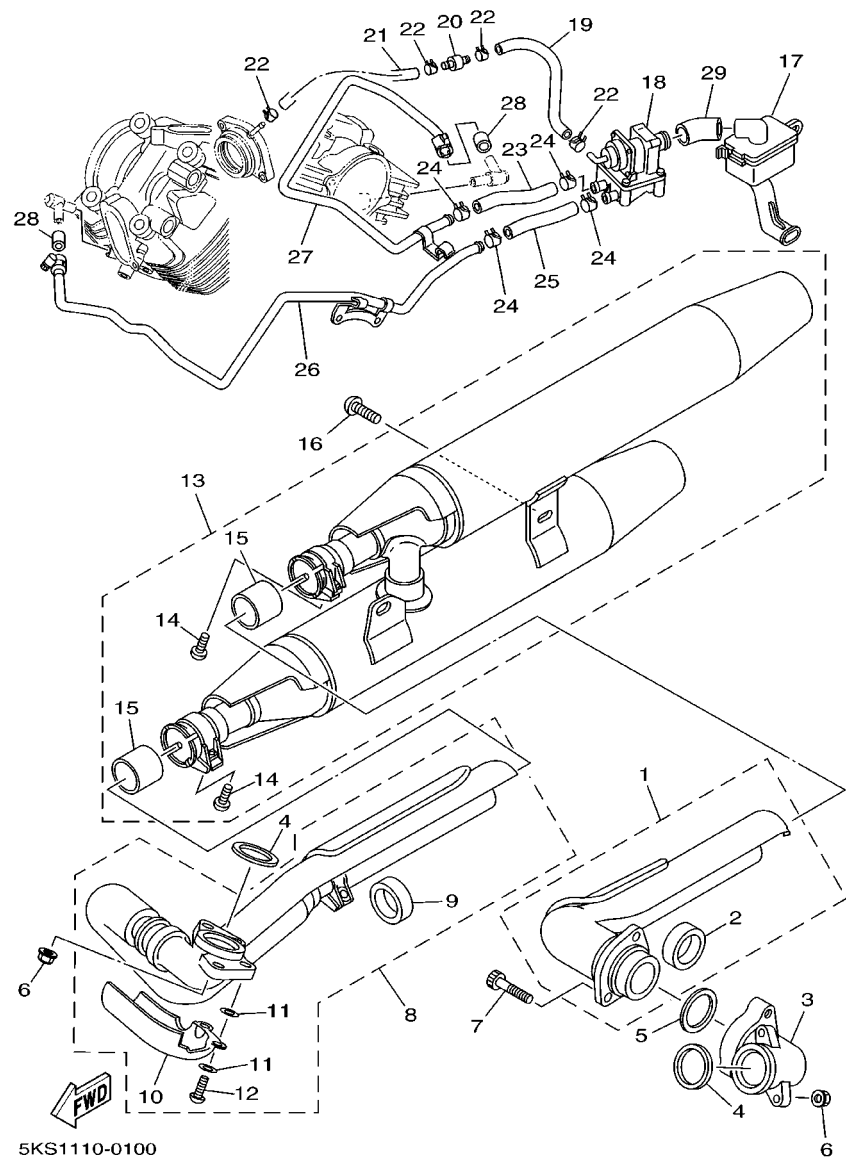
REF. NO.	PART NO.	DESCRIPTION	5KSF	REMARKS
1	5KS-14900-01	CARBURETOR ASSY	1	
2	5KS-14901-01	..CARBURETOR ASSY 1	1	(#1)REAR
3	5KS-14902-01	..CARBURETOR ASSY 2	1	(#2)FRONT
4	5EL-14112-00	..VALVE, THROTTLE 1	1	
5	5KS-1490J-00	..NEEDLE SET	1	
6	5EL-14107-12	..NEEDLE VALVE SET	1	
7	127-14186-00	..PIN, FLOAT	1	
8	3G2-14231-22	..JET, MAIN (#110)	1	UR (#1)REAR
	3G2-1423A-73	..JET, MAIN (#112.5)	1	UR (#2)FRONT
9	583-14561-00	..O-RING	1	
10	5EL-14261-00	..HOLDER	1	
11	5DM-14561-00	..O-RING	1	
12	5EL-24411-00	..DIAPHRAGM	1	
13	4KM-14933-00	..SPRING, DIAPHRAGM	1	
14	4XY-14105-00	..PILOT SCREW SET	1	
15	98502-05016	..SCREW, PAN HEAD	1	
16	1HX-14231-29	..JET, MAIN (#145)	1	
17	5EL-1410A-00	..STARTER SET	1	
18	4KM-14142-17	..JET, PILOT (# 17.5)	1	
19	5EL-14918-00	..RING	1	
20	3G2-1423A-59	..JET, MAIN (# 42.5)	1	
21	1HX-1423E-25	..JET, MAIN	1	
22	4KM-14194-00	..RING	1	(#1)REAR
23	354-14147-00	..O-RING	1	
24	98507-04012	..SCREW, PAN HEAD	1	(#2)FRONT
25	5EL-14919-00	..CLIP	1	(#2)FRONT
26	5DM-14985-00	..FLOAT	1	

FIG. 9 CARBURETOR



5EL8300-0090

REF. NO.	PART NO.	DESCRIPTION	5KSF				REMARKS
27	98507-04008	..SCREW, PAN HEAD	1				
28	1FN-14565-00	..SCREW	1				
29	98507-04014	..SCREW, PAN HEAD	2				
30	92907-04100	..WASHER, SPRING	2				
31	5EL-1490H-00	..DIAPHRAGM SET 5	1				
32	5DM-14141-40	..NOZZLE, MAIN	1				
33	4KM-14216-00	..SCREW	1				UR (#1)REAR
	4KM-14216-00	..SCREW	2				UR (#2)FRONT
34	98507-04010	..SCREW, PAN HEAD	4				UR (#1)REAR
	98507-04010	..SCREW, PAN HEAD	3				UR (#2)FRONT
35	12R-14191-00	..PLUG, DRAIN	1				
36	5EL-14561-00	..O-RING	1				
37	3LN-1416A-00	..O-RING	2				
38	4SV-24453-00	..SCREW	2				
39	5EL-14935-00	..SPRING	2				
40	92902-05100	..WASHER, SPRING	2				
41	95302-05700	..NUT	2				
42	11H-14991-00	..SCREW	2				
43	31H-14194-00	..RING	4				
44	5EL-14577-00	..ROD	1				
45	4YW-14987-00	..HOSE	1				
46	4WM-14565-00	..SCREW	2				
47	5EL-85885-00	..THROTTLE SENSOR ASSY	1				
48	5EL-14592-00	..SCREW	4				
49	4NK-14285-00	..WASHER	1				
50	5EL-81517-00	..WIRE, SUB LEAD	1				
51	5EL-14987-00	..HOSE	2				

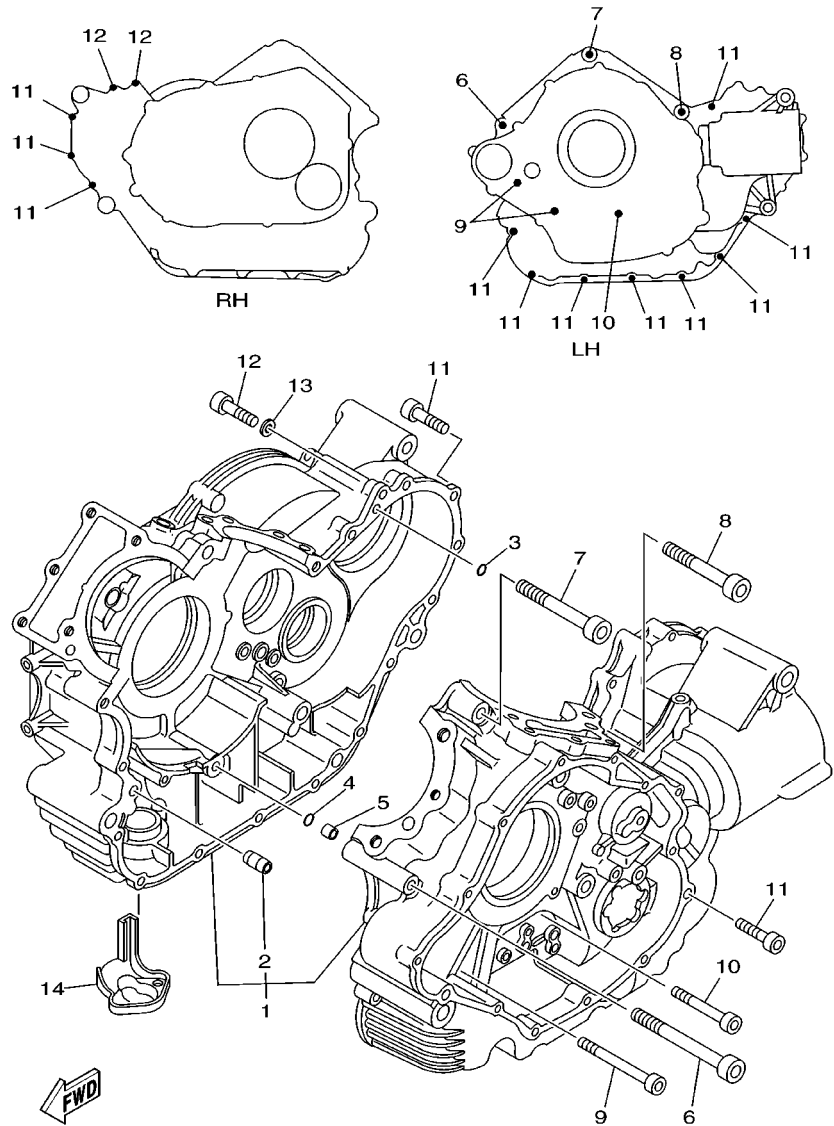


5KS1110-0100

FIG. 10 EXHAUST

REF. NO.	PART NO.	DESCRIPTION	5KSF				REMARKS
1	5EL-14610-10	EXHAUST PIPE ASSY 1	1				
2	4NK-14714-00	.GASKET, MUFFLER	1				
3	5EL-14615-01	JOINT, EXHAUST 1	1				
4	3EG-14613-00	GASKET, EXHAUST PIPE	2				
5	4TR-14613-00	GASKET, EXHAUST PIPE	1				
6	90185-08097	NUT, SELF-LOCKING	4				
7	91314-08035	BOLT	2				
8	5KS-14620-00	EXHAUST PIPE ASSY 2	1				
9	4NK-14714-00	.GASKET, MUFFLER	1				
10	5EL-14624-00	.COVER, EXHAUST	1				
11	90202-05191	.WASHER, PLATE	2				
12	98904-06014	.SCREW, BIND	2				
13	5EL-14710-30	MUFFLER ASSY 1	1				
14	92017-08020	.BOLT, BUTTON HEAD	2				
15	3XW-14755-00	.GASKET, SILENCER	2				
16	92017-10020	BOLT, BUTTON HEAD	2				
17	5EL-14806-00	AIR FILTER	1				
18	5EL-14803-10	AIR INDUCTION SYSTEM ASSY	1				
19	5EL-13544-01	HOSE, VACUUM SENSING 2	1				
20	41R-14489-00	NOZZLE	1				
21	5EL-13542-00	HOSE, VACUUM SENSING 1	1				
22	90467-08092	CLIP	4				
23	5EL-14882-00	HOSE, BEND 2	1				
24	90468-08104	CLIP	4				
25	5EL-14884-00	HOSE, BEND 4	1				
26	5EL-14872-00	PIPE 2	1				
27	5EL-14871-00	PIPE 1	1				

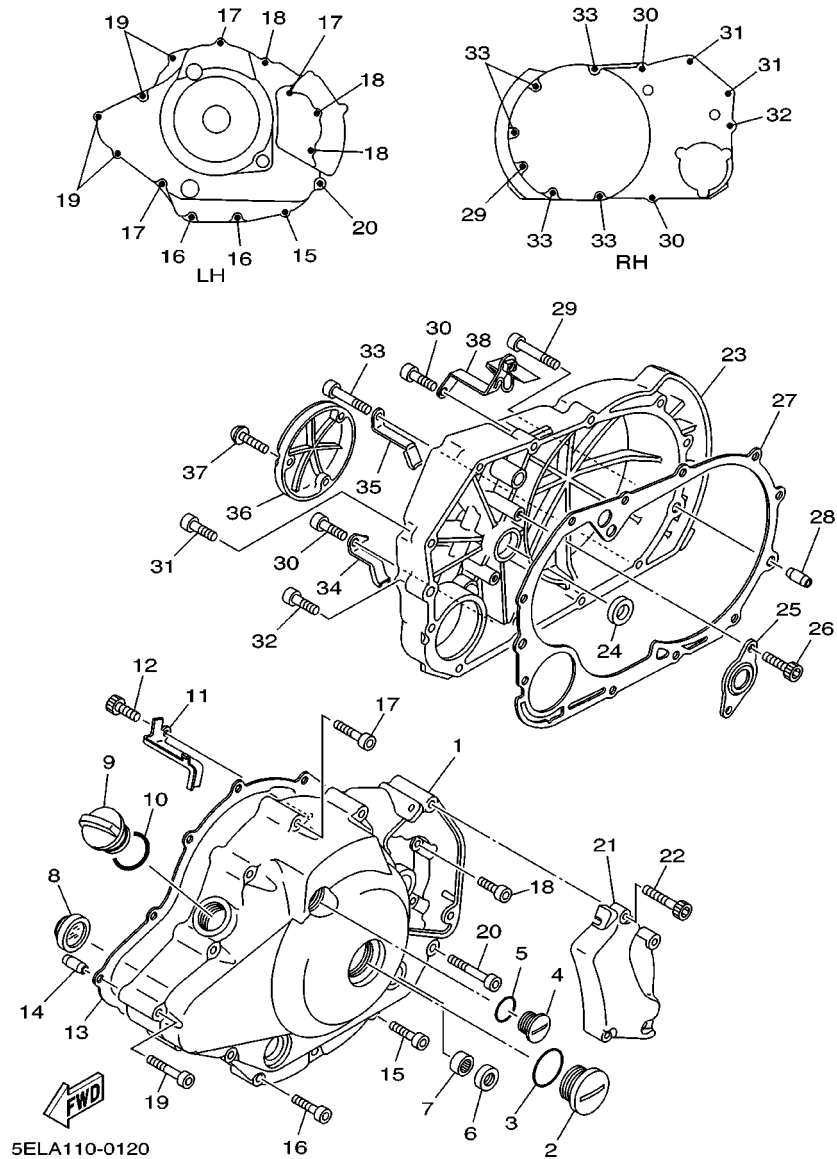
FIG. 11 CRANKCASE



5EL1351-9110

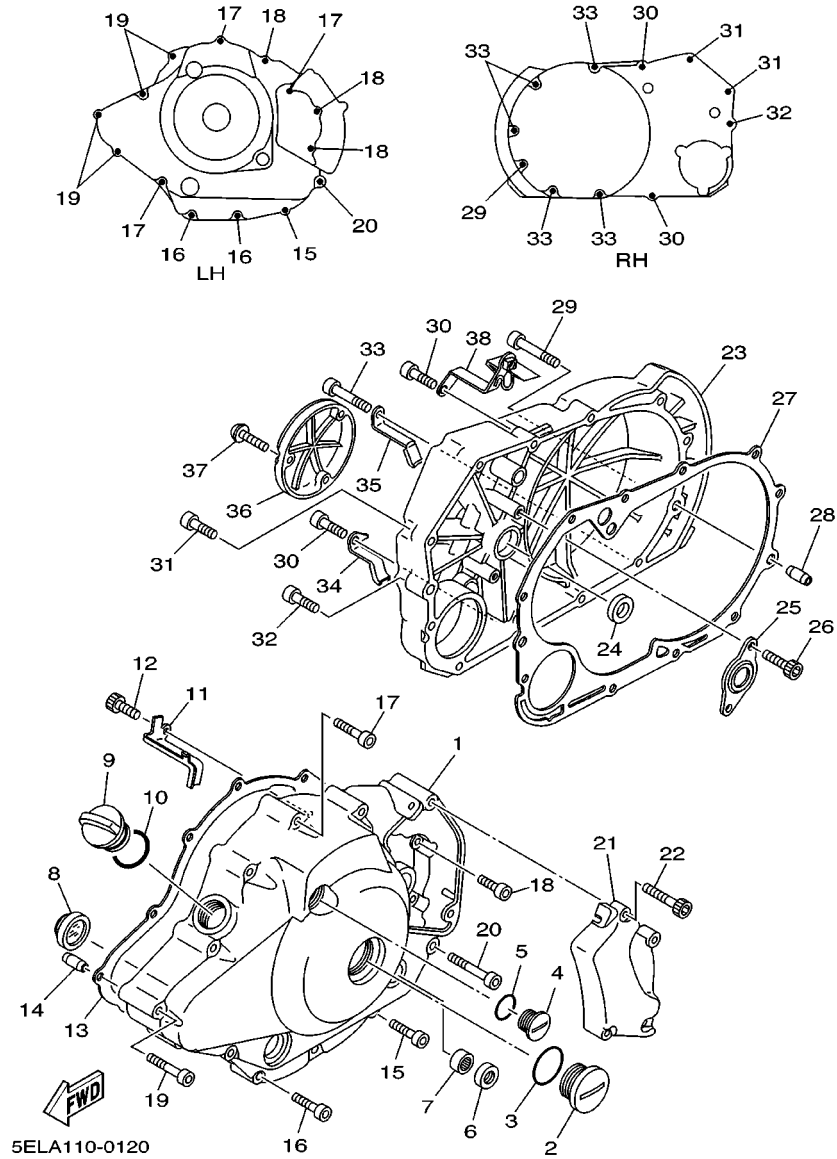
REF. NO.	PART NO.	DESCRIPTION	5KSF				REMARKS
1	5KS-15100-00	CRANKCASE ASSY	1				
2	99530-14016	.PIN, DOWEL	3				
3	93210-07135	O-RING	1				
4	93210-07135	O-RING	1				
5	90387-064E8	COLLAR	1				
6	91317-10100	BOLT	1				
7	91317-10070	BOLT	1				
8	91317-10060	BOLT	1				
9	91317-06080	BOLT	2				
10	91317-06055	BOLT	1				
11	91317-06030	BOLT	11				
12	91314-06030	BOLT	2				
13	90430-06014	GASKET	1				
14	4X7-15491-00	PROTECTOR	1				

FIG. 12 CRANKCASE COVER 1



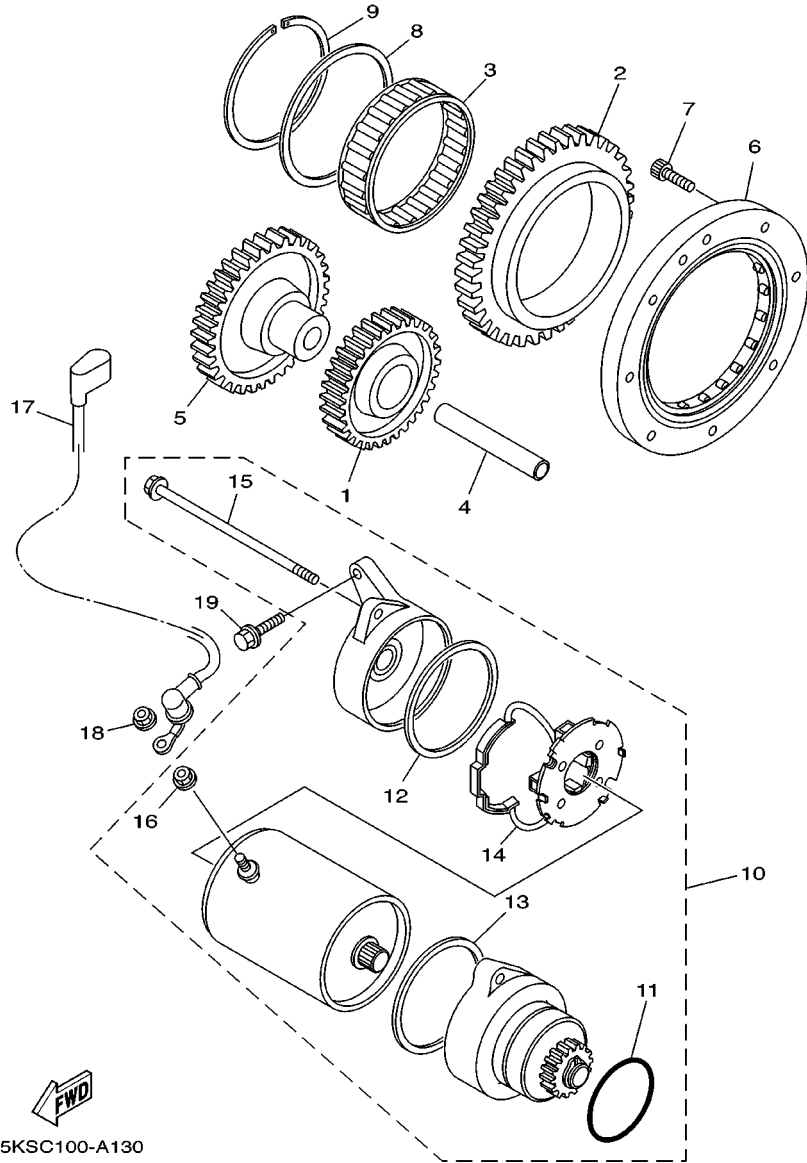
REF. NO.	PART NO.	DESCRIPTION	5KSF				REMARKS
1	5EL-15411-00	COVER, CRANKCASE 1	1				
2	90340-32140	PLUG, STRAIGHT SCREW	1				
3	93210-32172	O-RING	1				
4	90340-14153	PLUG, STRAIGHT SCREW	1				
5	93210-14369	O-RING	1				
6	93102-12106	OIL SEAL (SD 12-22-5 HS)	1				
7	93317-21236	BEARING	1				
8	2H7-15361-00	GAUGE, LEVEL	1				
9	3F9-15362-00	PLUG, OIL LEVEL	1				
10	93210-27370	O-RING	1				
11	5EL-15484-00	CLAMP 2	1				
12	91317-06012	BOLT	1				
13	5EL-15451-00	GASKET, CRANKCASE COVER 1	1				
14	99530-10114	PIN, DOWEL	2				
15	91314-06035	BOLT	1				
16	91314-06030	BOLT	2				
17	91314-06045	BOLT	3				
18	90110-06003	BOLT, HEXAGON SOCKET HEAD	3				
19	91314-06055	BOLT	4				
20	91314-06065	BOLT	1				
21	5EL-15417-00	COVER, CAP	1				
22	91314-06030	BOLT	3				
23	5EL-15421-00	COVER, CRANKCASE 2	1				
24	93101-14102	OIL SEAL	1				
25	4X7-15388-00	PLATE, BEARING COVER	1				
26	91314-06016	BOLT	2				
27	5EL-15462-00	GASKET, CRANKCASE COVER 3	1				

FIG. 12 CRANKCASE COVER 1



REF. NO.	PART NO.	DESCRIPTION	5KSF				REMARKS
28	99530-10120	PIN, DOWEL	2				
29	91314-06060	BOLT	1				
30	91314-06035	BOLT	2				
31	90110-06006	BOLT, HEXAGON SOCKET HEAD	2				
32	91314-06040	BOLT	1				
33	91314-06055	BOLT	5				
34	90462-10003	CLAMP	1				
35	90462-10247	CLAMP	1				
36	5EL-15423-00	COVER 2	1				
37	92014-06020	BOLT, BUTTON HEAD	3				
38	5EL-14413-00	STAY	1				

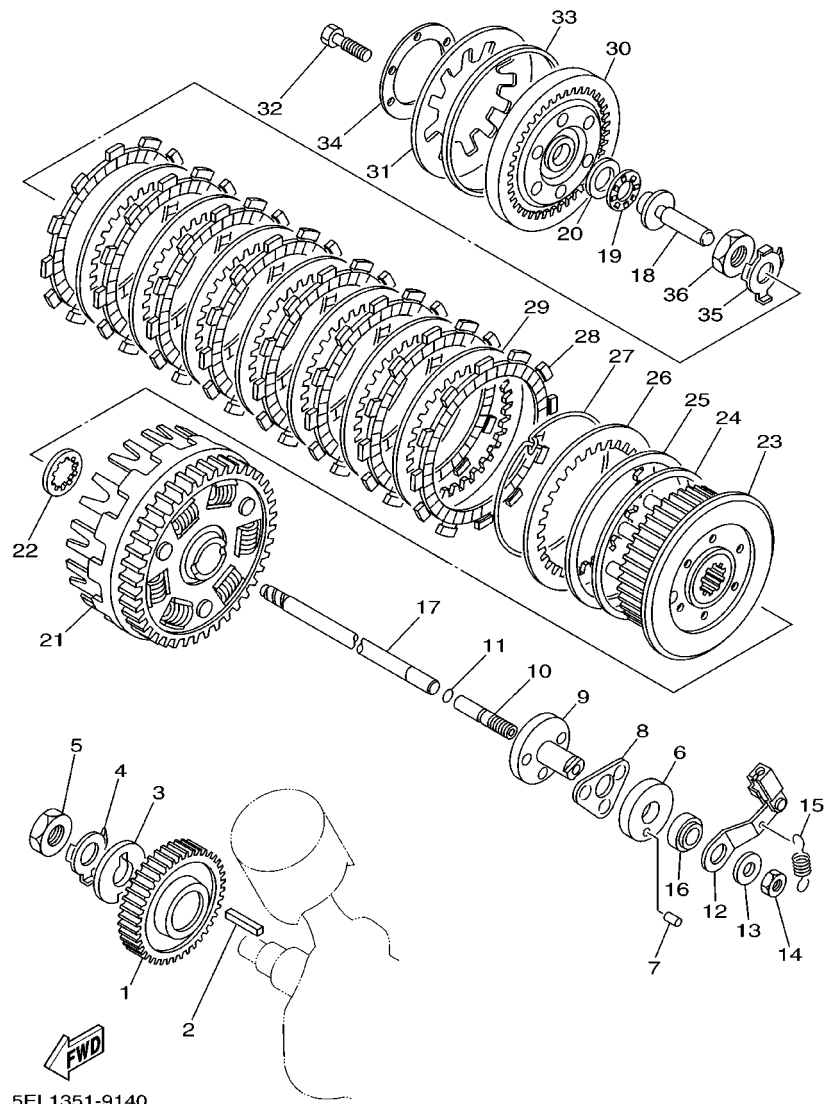
FIG. 13 STARTER




5KSC100-A130

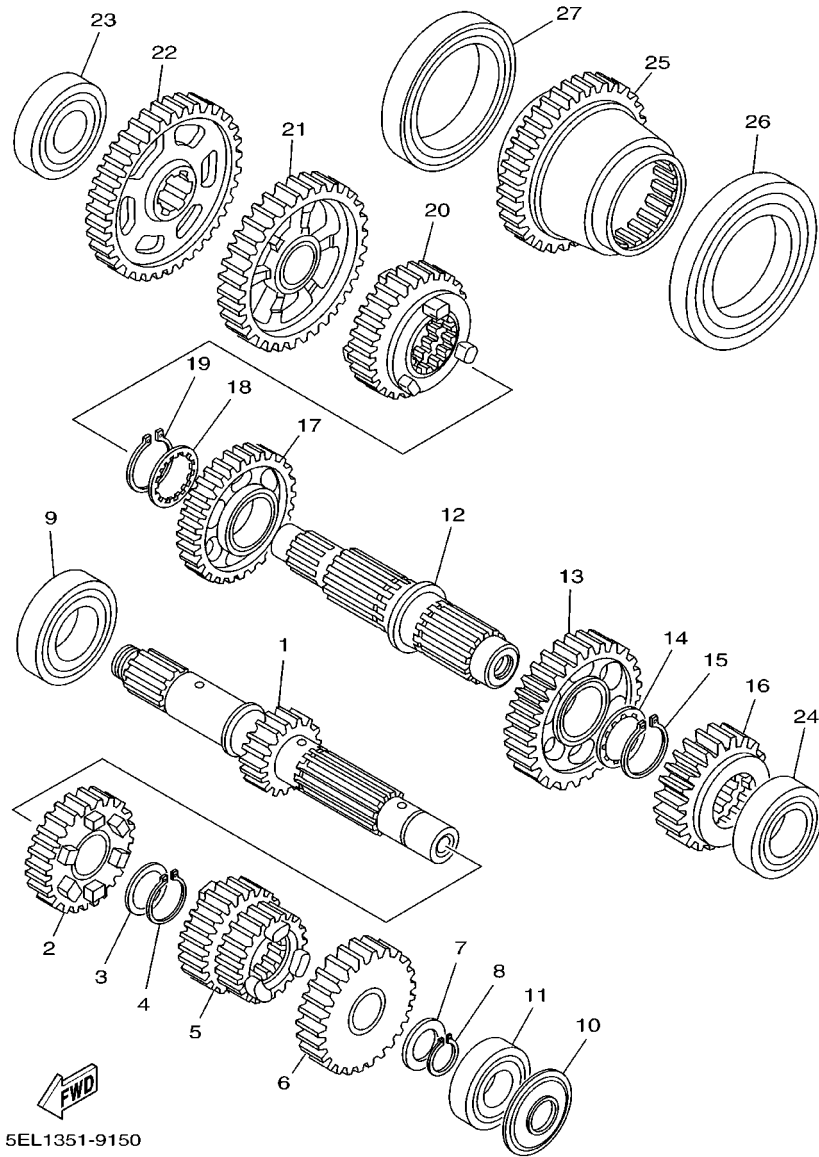
REF. NO.	PART NO.	DESCRIPTION	5KSF					REMARKS
1	5EL-15515-00	GEAR 3	1					
2	5EL-15517-11	GEAR, IDLER 2	1					
3	93310-5720G	BEARING	1					
4	24W-15521-00	SHAFT 1	1					
5	5EL-15512-00	GEAR, IDLER 1	1					
6	5EL-15590-00	STARTER ONE-WAY ASSY	1					
7	91317-06016	BOLT	8					
8	90201-72008	WASHER, PLATE	1					
9	93440-68180	CIRCLIP	1					
10	5EL-81890-00	MOTOR ASSY	1					
11	1J7-81847-60	.O-RING	1					
12	11H-81844-00	.GASKET	1					
13	4G0-81844-00	.GASKET	1					
14	5A8-81840-10	.BRUSH HOLDER ASSY	1					
15	3KM-81826-00	.BOLT	2					
16	4XV-8182A-00	.NUT	1					
17	5EL-81815-00	CORD, STARTER MOTOR	1					
18	4XV-8182A-00	NUT	1					
19	95814-06025	BOLT, FLANGE	2					

FIG. 14 CLUTCH



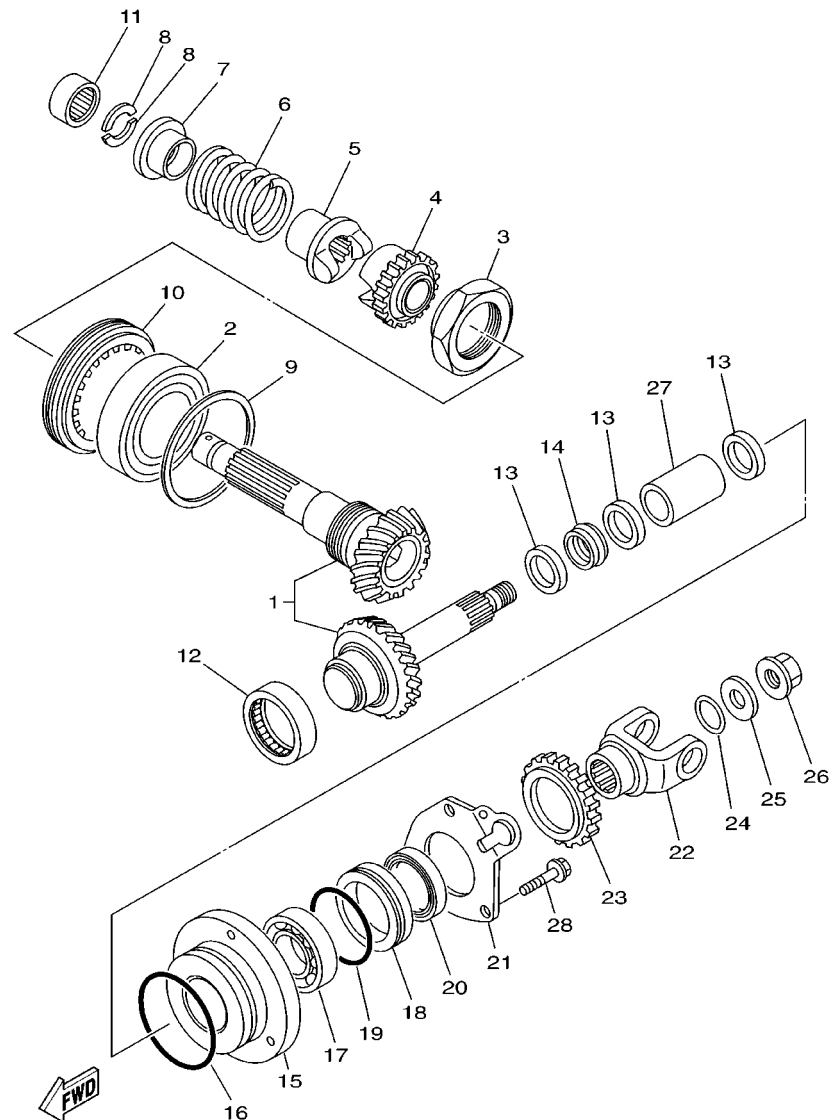
REF. NO.	PART NO.	DESCRIPTION	5KSF				REMARKS
1	4X7-16111-00	GEAR, PRIMARY DRIVE (47T)	1				
2	90282-07042	KEY, STRAIGHT	1				
3	90214-20022	WASHER, CLAW	1				
4	90215-20182	WASHER, LOCK	1				
5	90170-20274	NUT	1				
6	2H7-16396-00	HOUSING, PUSH SCREW	1				
7	93606-07082	PIN, DOWEL	1				
8	2H7-16395-01	RETAINER, BALL	1				
9	2H7-16341-00	SCREW, PUSH	1				
10	2H7-16343-00	SCREW, ADJUSTING	1				
11	93210-48364	O-RING	1				
12	5EL-16340-00	PUSH LEVER ASSY	1				
13	92907-08200	WASHER	1				
14	95307-08700	NUT	1				
15	90506-10069	SPRING, TENSION	1				
16	93104-14059	OIL SEAL	1				
17	5EL-16357-00	ROD, PUSH 2	1				
18	4X7-16356-00	ROD, PUSH 1	1				
19	93340-21505	BEARING	1				
20	90201-151A7	WASHER, PLATE (T=1.0)	1				
21	4X7-16150-02	PRIMARY DRIVEN GEAR COMP.	1				
22	2JN-16154-00	PLATE, THRUST 1	1				
23	5EL-16371-00	BOSS, CLUTCH	1				
24	4X7-16384-00	PLATE, SEAT	1				
25	4X7-16383-01	SPRING, CLUTCH BOSS	1				
26	4X7-16324-00	PLATE, CLUTCH 1	1				
27	4X7-16385-00	RING, CLUTCH BOSS	1				

FIG. 15 TRANSMISSION



REF. NO.	PART NO.	DESCRIPTION	5KSF				REMARKS
1	5EL-17411-00	AXLE, MAIN	1				
2	5EL-17141-00	GEAR, 4TH PINION (31T)	1				
3	90209-21332	WASHER	1				
4	99009-25400	CIRCLIP	1				
5	5EL-17121-00	GEAR, 2ND PINION (24T/28T)	1				
6	5EL-17151-00	GEAR, 5TH PINION (34T)	1				
7	90201-20276	WASHER, PLATE (1.0T)	1				
8	99009-20400	CIRCLIP	1				
9	93306-30525	BEARING (B6305)	1				
10	93104-20068	OIL SEAL	1				
11	93306-30424	BEARING (B6304A3)	1				
12	5EL-17402-00	DRIVE AXLE ASSY	1				
13	5EL-17221-00	GEAR, 2ND WHEEL (40T)	1				
14	90209-28331	WASHER	1				
15	93440-31172	CIRCLIP	1				
16	5EL-17251-00	GEAR, 5TH WHEEL (29T)	1				
17	5EL-17231-00	GEAR, 3RD WHEEL (36T)	1				
18	90209-28331	WASHER	1				
19	93440-31172	CIRCLIP	1				
20	5EL-17241-00	GEAR, 4TH WHEEL (32T)	1				
21	4X7-17211-00	GEAR, 1ST WHEEL (40T)	1				
22	5EL-17582-00	GEAR, MIDDLE DRIVE (47T)	1				
23	93306-20401	BEARING (B6204)	1				
24	93306-20550	BEARING (B6205DU8)	1				
25	5EL-17583-00	GEAR, MIDDLE DRIVEN (25T)	1				
26	93316-01201	BEARING (B16012)	1				
27	93306-91201	BEARING (B6912)	1				

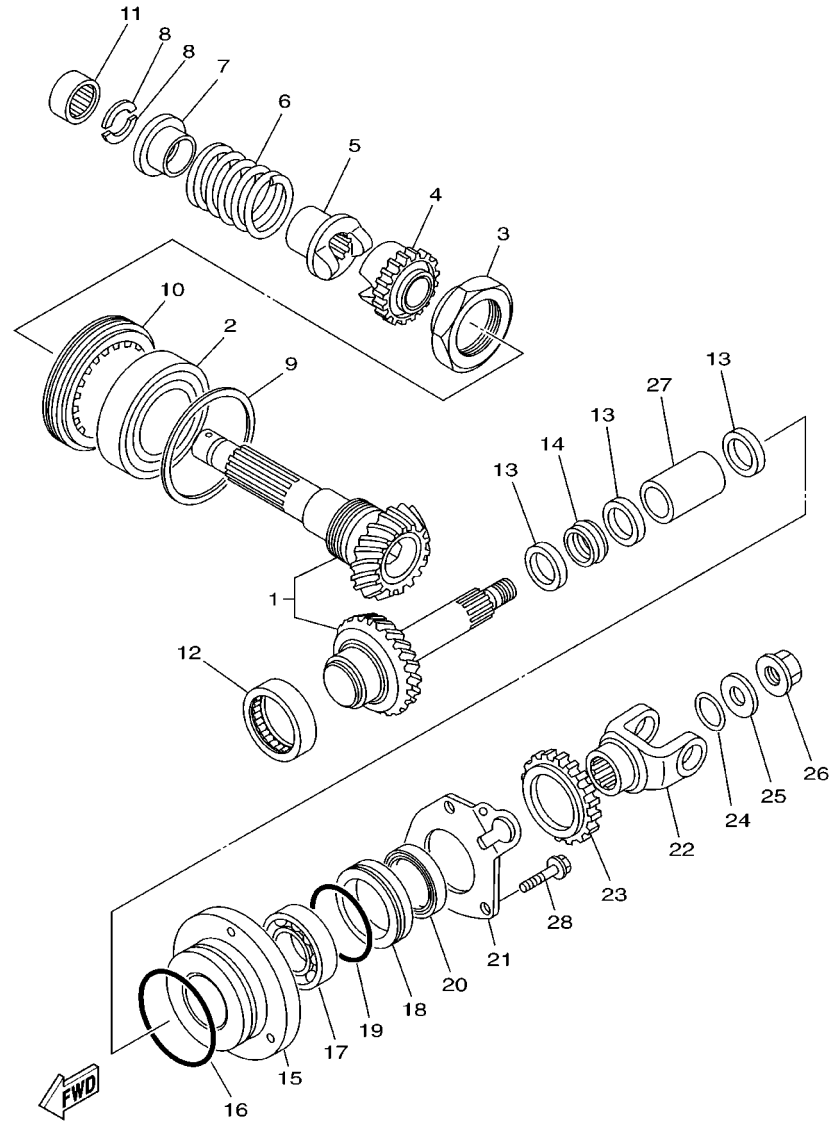
FIG. 16 MIDDLE DRIVE GEAR



5EL1351-9160

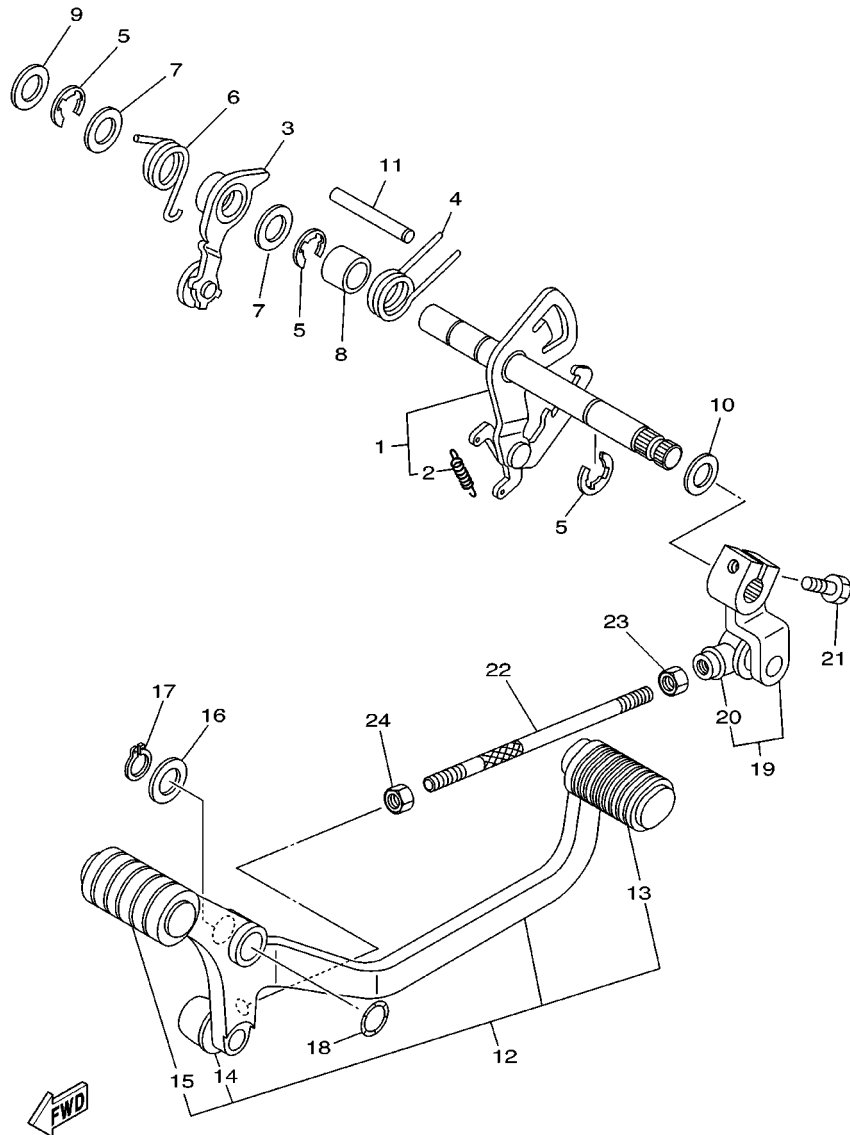
REF. NO.	PART NO.	DESCRIPTION	5KSF				REMARKS
1	5EL-Y1757-00	MIDDLE GEAR COMP.	1				
2	93306-20901	BEARING (B6209RSH2-C2)	1				
3	90179-44328	NUT	1				
4	42X-17526-01	CAM, DRIVE	1				
5	31A-17527-00	CAM, DRIVEN	1				
6	90501-70762	SPRING, COMPRESSION	1				
7	4X7-17524-00	HOLDER	1				
8	3H5-17529-00	WASHER, THRUST	2				
9	4X7-17531-00-15	SHIM, PINION (0.15T)	1				UR
	4X7-17531-00-30	SHIM, PINION (0.30T)	1				UR
	4X7-17531-00-50	SHIM, PINION (0.50T)	1				UR
10	90179-88336	NUT	1				
11	93317-22021	BEARING	1				
12	93311-44051	BEARING	1				
13	90201-255A6	WASHER, PLATE	3				
14	1J7-46129-Y1	SPACER, EXPANSION	1				
15	4X7-17551-00	HOUSING, BEARING	1				
16	93210-71360	O-RING	1				
17	93306-20548	BEARING (B6205RC2)	1				
18	4X7-17554-00	RETAINER, BEARING	1				
19	93210-52449	O-RING	1				
20	93101-35099	OIL SEAL	1				
21	5EL-17558-00	PLATE, BEARING	1				
22	5EL-17556-00	YOKE, JOINT	1				
23	5EL-8135E-00	ROTOR	1				
24	93210-14359	O-RING	1				
25	90201-14633	WASHER, PLATE	1				

FIG. 16 MIDDLE DRIVE GEAR



5EL1351-9160

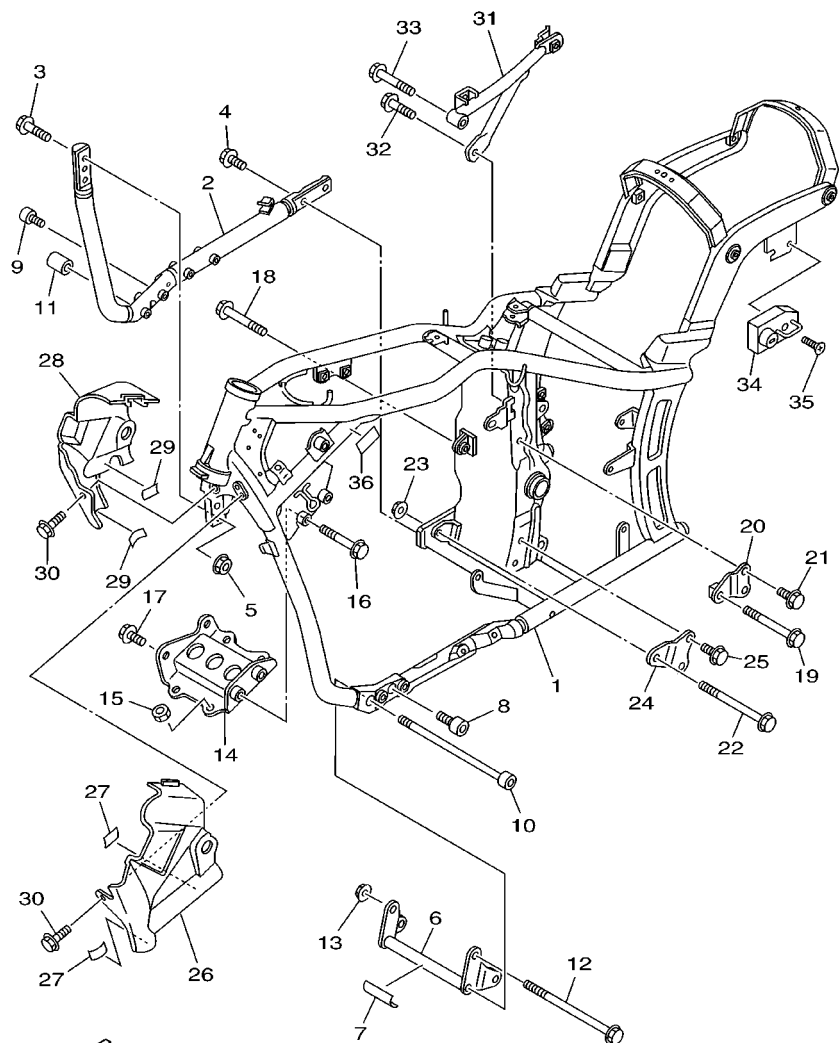
REF. NO.	PART NO.	DESCRIPTION	5KSF				REMARKS
26	90179-14317	NUT	1				
27	90387-251E1	COLLAR	1				
28	90105-08010	BOLT, FLANGE	3				



5KSC100-A180

FIG. 18 SHIFT SHAFT

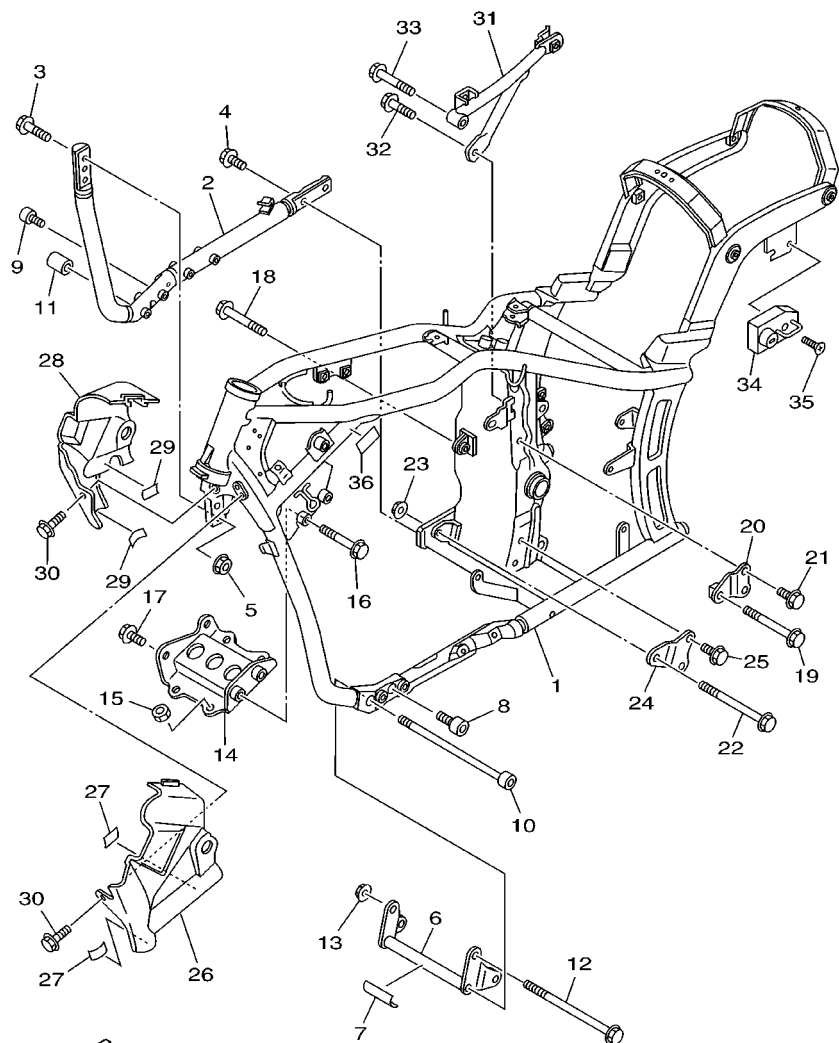
REF. NO.	PART NO.	DESCRIPTION	5KSF				REMARKS
1	5EL-18120-00	SHIFT LEVER ASSY	1				
2	90506-08227	.SPRING, TENSION	1				
3	5EL-18140-00	STOPPER LEVER ASSY	1				
4	90508-32535	SPRING, TORSION	1				
5	99001-10600	CIRCLIP	3				
6	90508-32012	SPRING, TORSION	1				
7	90201-12588	WASHER, PLATE	2				
8	90387-124F4	COLLAR	1				
9	90201-12588	WASHER, PLATE	1				
10	90201-12166	WASHER, PLATE	1				
11	93608-50158	PIN, DOWEL	1				
12	5KS-18110-00	SHIFT PEDAL ASSY	1				
13	22N-18113-00	.COVER, SHIFT PEDAL	1				
14	2H9-18154-00	.COVER, DUST	1				
15	4NK-18113-00	.COVER, SHIFT PEDAL	1				
16	90201-12688	WASHER, PLATE	1				
17	99009-12400	CIRCLIP	1				
18	90206-12074	WASHER, WAVE	1				
19	4TR-18112-00	ARM, SHIFT	1				
20	2H9-18154-00	.COVER, DUST	1				
21	97024-06020	BOLT	1				
22	4DN-18115-20	ROD, SHIFT	1				
23	90170-06228	NUT (COUNTER CLOCKWISE)	1				
24	95304-06700	NUT	1				



5KS3171-0190

FIG. 19 FRAME

REF. NO.	PART NO.	DESCRIPTION	5KSF				REMARKS
1	5KS-21110-10	FRAME COMP.	1				
2	5EL-21150-00	DOWN TUBE COMP.2	1				
3	90105-10009	BOLT, FLANGE	2				
4	90105-10004	BOLT, FLANGE	2				
5	95607-10200	NUT, SELF-LOCKING	2				
6	5EL-21318-00	STAY, ENGINE 5	1				
7	4DN-21268-00	SEAL	1				
8	91317-10020	BOLT	1				
9	91317-10030	BOLT	1				
10	90110-10182	BOLT, HEXAGON SOCKET HEAD	1				
11	90179-10377	NUT	1				
12	90105-10781	BOLT, FLANGE	1				
13	95607-10200	NUT, SELF-LOCKING	1				
14	5EL-21317-00	STAY, ENGINE 3	1				
15	90179-12657	NUT	4				
16	90105-100A4	BOLT, FLANGE	2				
17	90105-10003	BOLT, FLANGE	2				
18	90105-10013	BOLT, FLANGE	1				
19	90105-10299	BOLT, FLANGE	1				
20	5EL-21314-00	STAY, ENGINE 5	1				
21	95817-10016	BOLT, FLANGE	2				
22	90105-10444	BOLT, FLANGE	1				
23	95607-10200	NUT, SELF-LOCKING	1				
24	5EL-21316-00	STAY, ENGINE 3	1				
25	95817-10016	BOLT, FLANGE	2				
26	5EL-2171E-00	COVER, SIDE 5	1				
27	3BN-21747-00	DAMPER	2				

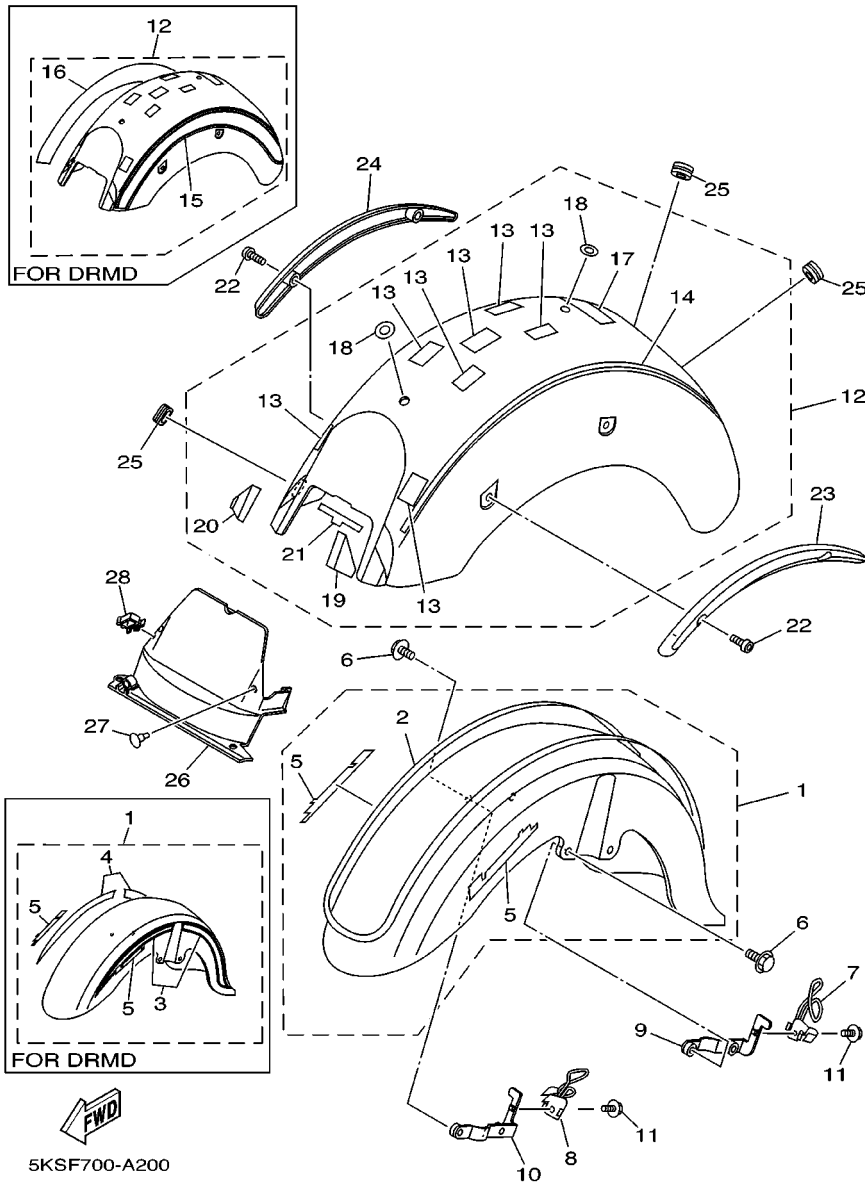


5KS3171-0190

FIG. 19 FRAME

REF. NO.	PART NO.	DESCRIPTION	5KSF				REMARKS
28	5EL-2171X-00	COVER, SIDE 6	1				
29	3BN-21747-00	DAMPER	2				
30	90119-06236	BOLT, WITH WASHER	2				
31	5EL-21460-00	STAY, MUFFLER	1				
32	95817-08014	BOLT, FLANGE	1				
33	95817-08035	BOLT, FLANGE	1				
34	4R8-21308-00	HELMET HANGER ASSY	1				
35	90151-06038	SCREW, COUNTERSUNK	1				
36	3SP-21732-00	SEAL 1	1				

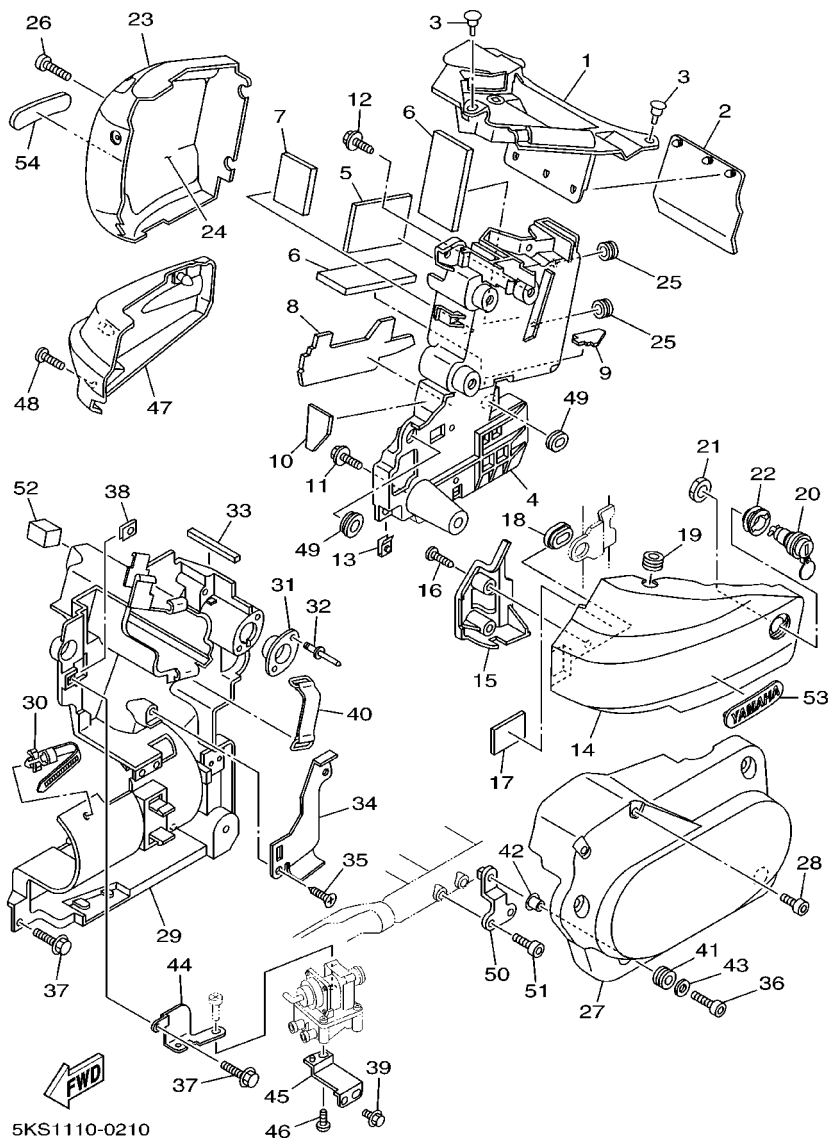
FIG. 20 FENDER



5KSF700-A200

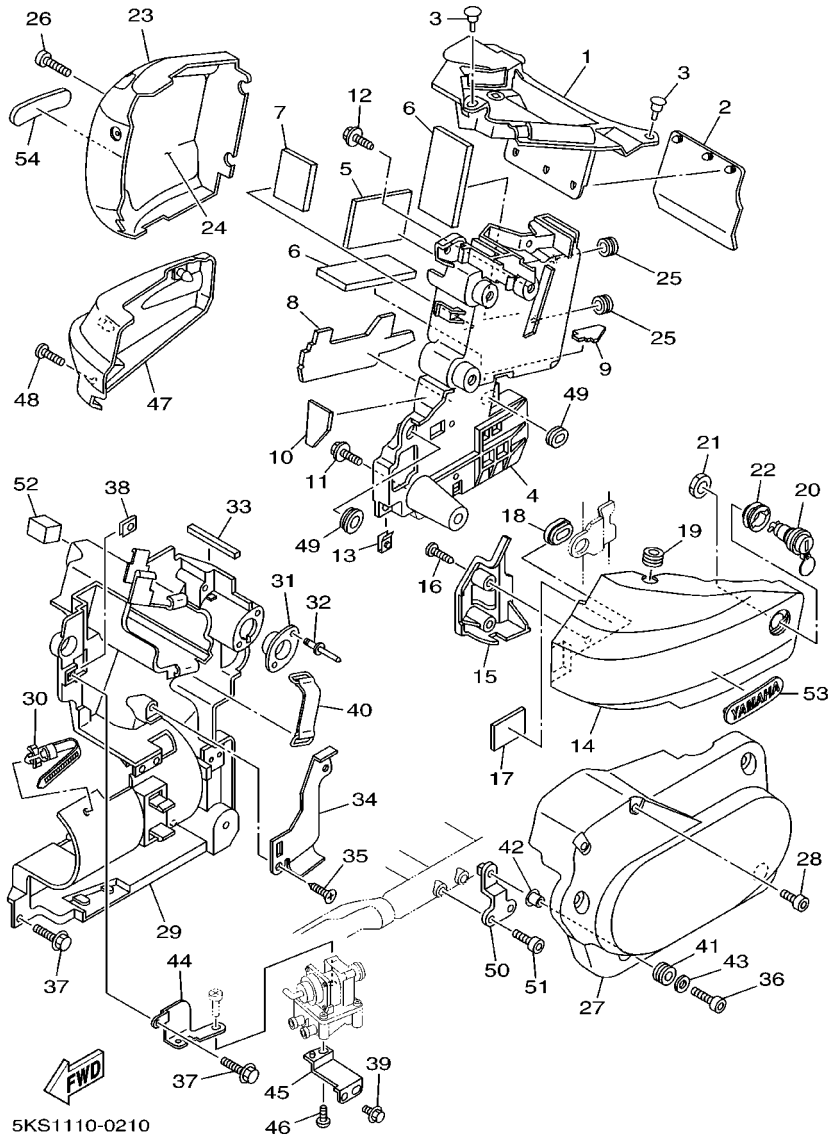
REF. NO.	PART NO.	DESCRIPTION	5KSF				REMARKS
1	5KS-Y2151-90-33	FRONT FENDER COMP.	1				UR YB
	5KS-Y2151-A0-5X	FRONT FENDER COMP.	1				UR EBR/YS2
	5KS-Y2151-B0-4B	FRONT FENDER COMP.	1				UR BL2 FOR DRMD
2	5KS-21570-80	.GRAPHIC SET, FRONT FENDER	1				UR FOR YB
	5KS-21570-90	.GRAPHIC SET, FRONT FENDER	1				UR FOR EBR
3	5KS-2159A-00	.GRAPHIC SET 1	1				FOR DRMD
4	5KS-2159B-00	.GRAPHIC SET 2	1				FOR DRMD
5	5BN-21565-00	.EMBLEM, 2	2				
6	95817-08020	BOLT, FLANGE	4				
7	5KS-21597-00	HOLDER, WIRE 1	1				
8	5KS-21598-00	HOLDER, WIRE 2	1				
9	5KS-21587-10	STAY 1	1				
10	5KS-21588-10	STAY 2	1				
11	95807-06010	BOLT, FLANGE	2				
12	5KS-Y2161-91-33	REAR FENDER COMP.	1				UR YB
	5KS-Y2161-A1-5X	REAR FENDER COMP.	1				UR EBR/YS2
	5KS-Y2161-B1-4B	REAR FENDER COMP.	1				UR BL2 FOR DRMD
13	3SP-21732-00	.SEAL 1	7				
14	5KS-2165A-80	.GRAPHIC SET, REAR FENDER	1				UR FOR YB
	5KS-2165A-90	.GRAPHIC SET, REAR FENDER	1				UR FOR EBR
15	5KS-2165C-00	.GRAPHIC 1	1				FOR DRMD
16	5KS-2165D-00	.GRAPHIC 1	1				FOR DRMD
17	99247-00080	.EMBLEM, YAMAHA	1				UR FOR YB/DRMD
	99246-00080	.EMBLEM, YAMAHA	1				UR FOR EBR
18	4NK-21735-00	.SEAL 2	2				
19	5KS-21669-00	.SEAL	1				
20	5KS-21669-10	.SEAL	1				

FIG. 21 SIDE COVER



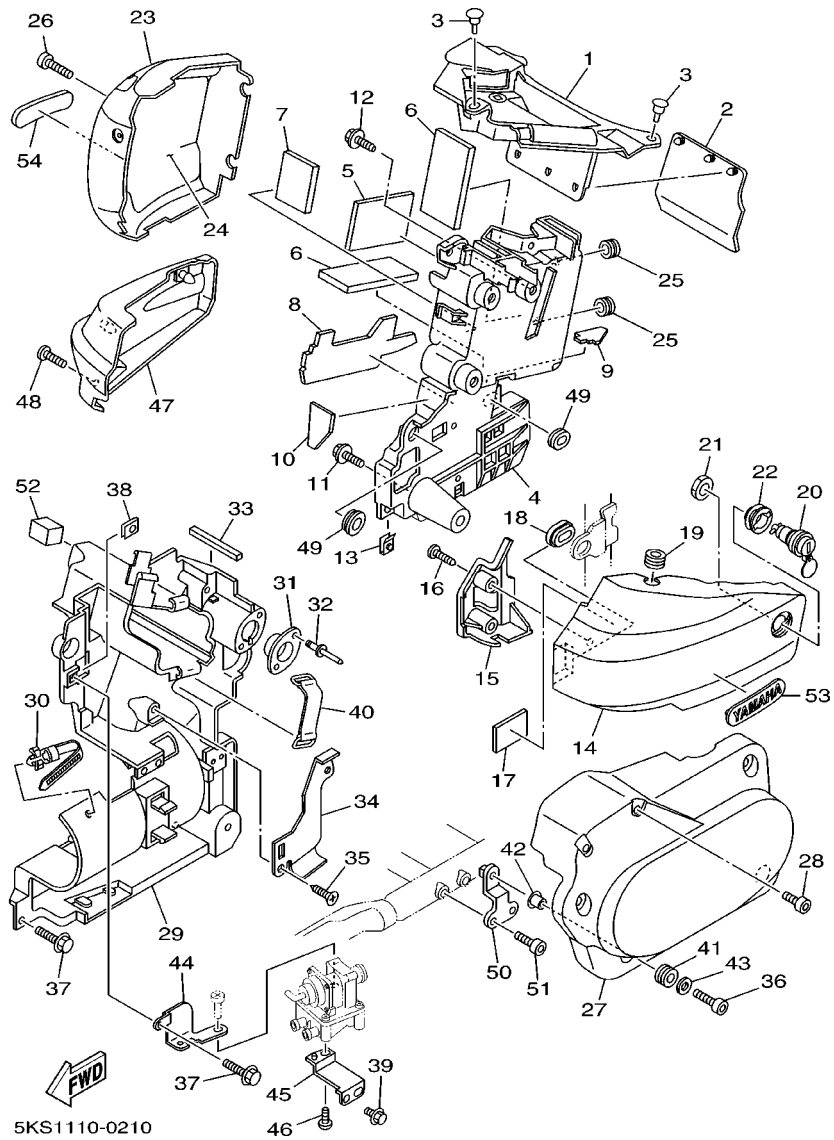
REF. NO.	PART NO.	DESCRIPTION	5KSF	REMARKS
1	5EL-2177J-00	LID 2	1	
2	30X-21621-00	FLAP	1	
3	90269-07077	RIVET	3	
4	5EL-2177G-00	BOX, BATTERY	1	
5	29N-14425-00	DAMPER 1	1	
6	5Y1-82122-00	SEAT, BATTERY	2	
7	11H-21747-00	DAMPER	1	
8	5EL-2172A-00	PANEL 1	1	
9	5EL-2172F-00	PANEL 2	1	
10	5EL-2172G-00	PANEL 3	1	
11	90119-06096	BOLT, WITH WASHER	5	
12	90119-06060	BOLT, WITH WASHER	1	
13	90183-06053	NUT, SPRING	2	
14	5KS-21711-00-33	COVER, SIDE 1	1	UR YB
	5KS-21711-00-P2	COVER, SIDE 1	1	UR YS2 FOR EBR
	5KS-21711-00-4B	COVER, SIDE 1	1	UR BL2 FOR DRMD
15	5EL-2171Y-00	GRILLE, SIDE COVER 1	1	
16	97707-50014	SCREW, TAPPING	2	
17	3YL-12232-00	DAMPER	1	
18	90480-01558	GROMMET	1	
19	90480-12550	GROMMET	1	
20	55K-21708-00	LOCK ASSY 2	1	
21	90170-22187	NUT	1	
22	90480-24186	GROMMET	1	
23	5KS-21721-00-33	COVER, SIDE 2	1	UR YB
	5KS-21721-00-P2	COVER, SIDE 2	1	UR YS2 FOR EBR
	5KS-21721-00-4B	COVER, SIDE 2	1	UR BL2 FOR DRMD

FIG. 21 SIDE COVER



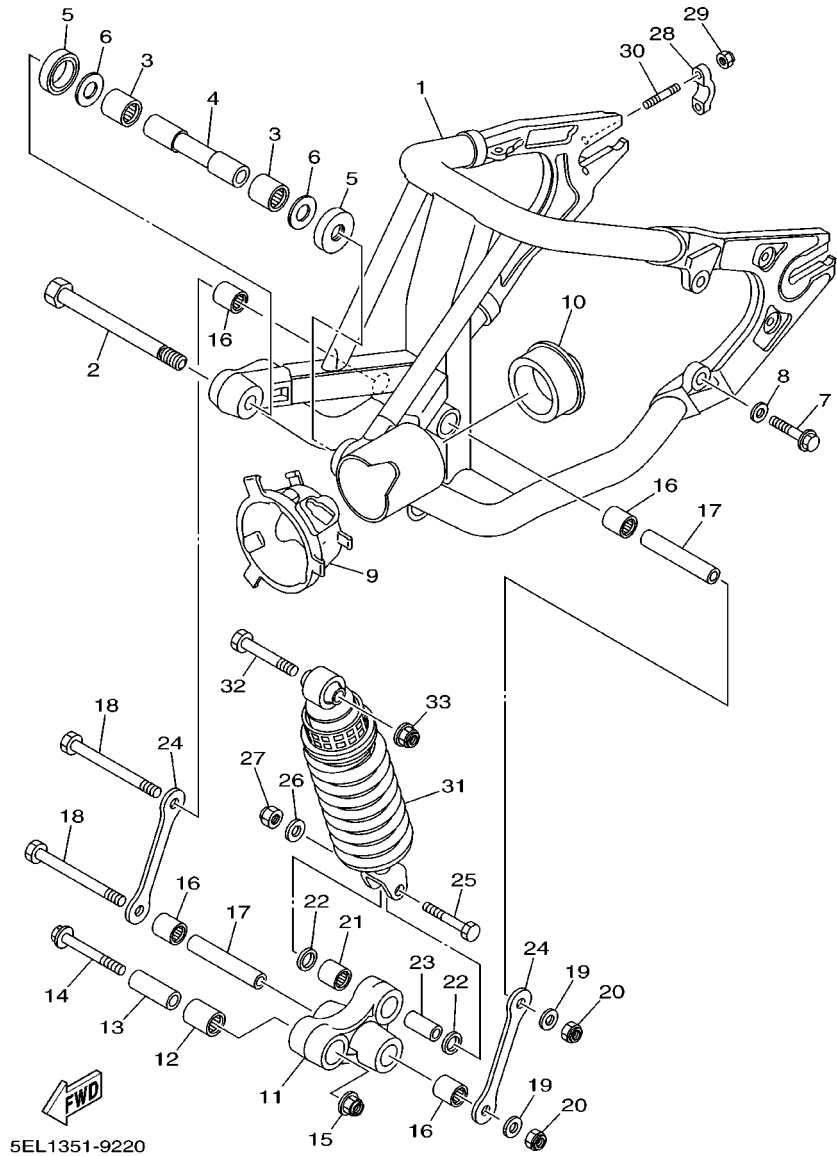
REF. NO.	PART NO.	DESCRIPTION	5KSF				REMARKS
24	5KS-2172A-00	PANEL 1	1				
25	90480-12320	GROMMET	2				
26	90149-06302	SCREW	1				
27	5EL-21731-00	COVER, SIDE 3	1				
28	90110-06254	BOLT, HEXAGON SOCKET HEAD	2				
29	5EL-2177E-00	LID	1				
30	90464-12089	CLAMP	1				
31	4TR-2175H-00	STAY, LOCK	1				
32	90267-40180	RIVET, BLIND	2				
33	1FK-83526-00	DAMPER 2	1				
34	5EL-2178L-00	GUIDE 1	1				
35	97707-60016	SCREW, TAPPING	2				
36	91314-06025	BOLT	4				
37	90119-06096	BOLT, WITH WASHER	3				
38	90183-06053	NUT, SPRING	4				
39	95807-06010	BOLT, FLANGE	3				
40	3TJ-82131-00	BAND, BATTERY	1				
41	90480-10289	GROMMET	4				
42	90387-066Y6	COLLAR	4				
43	90201-06062	WASHER, PLATE	4				
44	5EL-2172K-00	BRACKET 1	1				
45	5EL-2172L-00	BRACKET 2	1				
46	92017-06012	BOLT, BUTTON HEAD	1				
47	5EL-21741-00	COVER, SIDE 4	1				
48	90149-06302	SCREW	1				
49	90480-01558	GROMMET	2				
50	5EL-2172M-00	BRACKET 3	1				

FIG. 21 SIDE COVER



REF. NO.	PART NO.	DESCRIPTION	5KSF				REMARKS
51	91317-06020	BOLT	2				
52	5EL-21746-00	DAMPER	1				
53	3LS-21781-10	EMBLEM 1	1				
54	3LS-21781-10	EMBLEM 1	1				

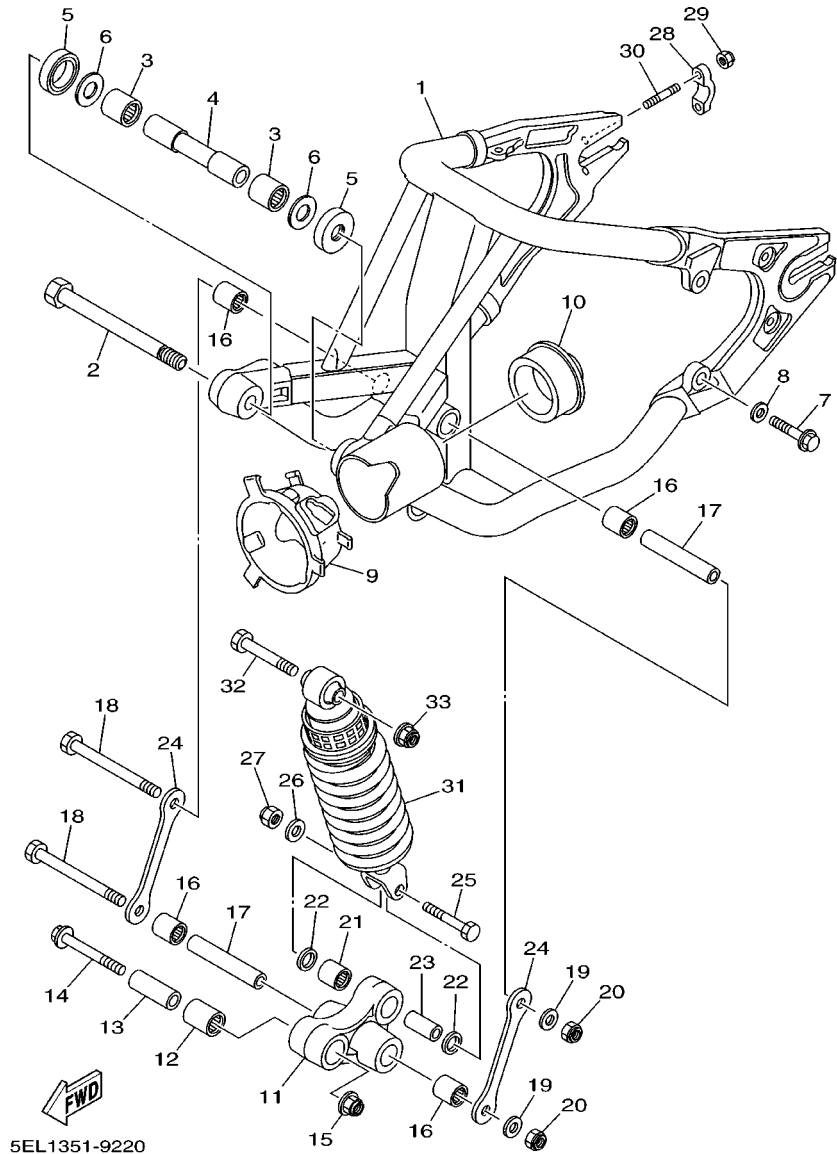
FIG. 22 REAR ARM. SUSPENSION



5EL1351-9220

REF. NO.	PART NO.	DESCRIPTION	5KSF				REMARKS
1	5KS-22110-01	REAR ARM COMP.	1				
2	5EL-22141-00	SHAFT, PIVOT	1				
3	93320-32403	BEARING	2				
4	4X7-22124-00	BUSH 2	1				
5	5EL-22129-00	COVER, THRUST 2	2				
6	90201-243U9	WASHER, PLATE	2				
7	90105-101A9	BOLT, FLANGE	4				
8	90201-112U0	WASHER, PLATE	4				
9	5EL-22189-00	BOOT, RUBBER	1				
10	4VR-22184-00	BUSH	1				
11	4KM-2217A-00	ARM, RELAY	1				
12	93317-42060	BEARING	1				
13	90387-100T8	COLLAR	1				
14	90105-10727	BOLT, FLANGE	1				
15	95607-10200	NUT, SELF-LOCKING	1				
16	93317-41761	BEARING	4				
17	90387-126T1	COLLAR	2				
18	90101-12673	BOLT	2				
19	90201-126A7	WASHER, PLATE	2				
20	95617-12100	NUT, U	2				
21	93317-31771	BEARING	1				
22	93109-17071	OIL SEAL	2				
23	90387-127W0	COLLAR	1				
24	2KT-2217M-00	ARM 1	2				
25	90101-10659	BOLT	1				
26	90201-101J1	WASHER, PLATE	1				
27	95617-10100	NUT, U	1				

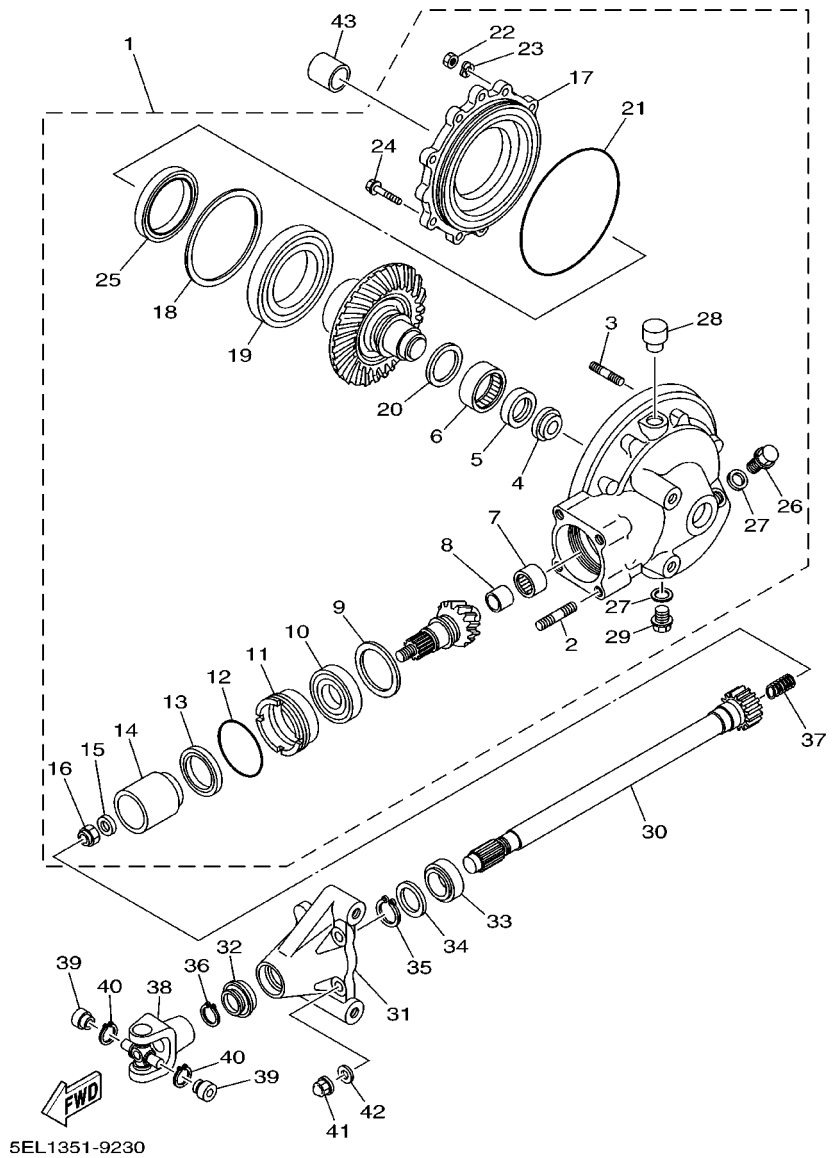
FIG. 22 REAR ARM. SUSPENSION



5EL1351-9220

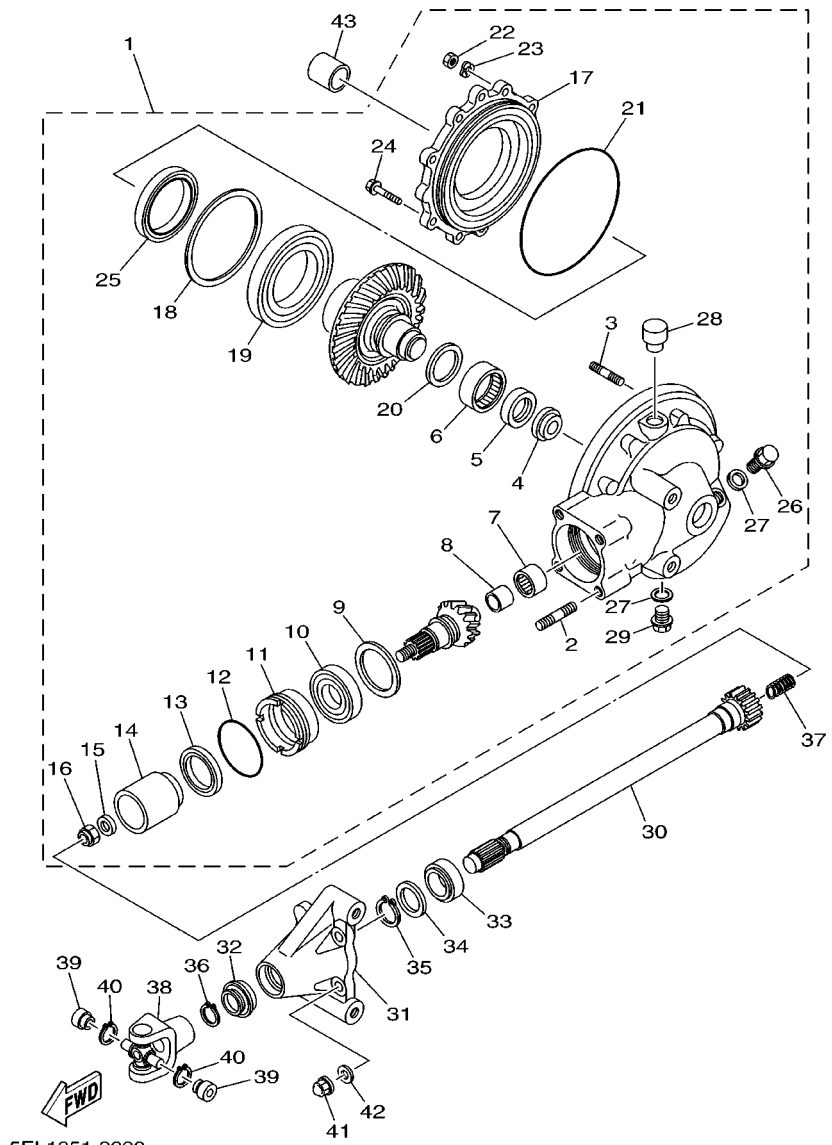
REF. NO.	PART NO.	DESCRIPTION	5KSF				REMARKS
28	1E6-23441-10-98	HOLDER, HANDLE UPPER	1				LGB
29	95607-08200	NUT, SELF-LOCKING	2				
30	95627-08330	BOLT, STUD	2				
31	5KS-22210-01	SHOCK ABSORBER ASSY, REAR	1				
32	90109-10554	BOLT	1				
33	95607-10200	NUT, SELF-LOCKING	1				

FIG. 23 DRIVE SHAFT



REF. NO.	PART NO.	DESCRIPTION	5KSF				REMARKS
1	5EL-46101-00	REAR AXLE GEAR CASE ASSY	1				
2	90116-10593	.BOLT, STUD	4				
3	90116-08360	.BOLT, STUD	6				
4	5EL-46153-00	.COLLAR, GUIDE	1				
5	93101-30084	.OIL SEAL	1				
6	93311-43729	.BEARING	1				
7	93317-41510	.BEARING	1				
8	2H7-46122-00	.RACE, INNER	1				
9	1J7-17537-Y0-30	.SHIM, THRUST (0.30T)	1				UR
	1J7-17537-Y0-40	.SHIM, THRUST (0.40T)	1				UR
	1J7-17537-Y0-50	.SHIM, THRUST (0.50T)	1				UR
10	93306-30533	.BEARING (B6305RB1 SPECIAL)	1				
11	4H7-46125-00	.RETAINER, BEARING	1				
12	93210-60426	.O-RING	1				
13	93101-38098	.OIL SEAL	1				
14	4H7-46123-01	.COUPLING, GEAR	1				
15	90201-14632	.WASHER, PLATE	1				
16	90185-14070	.NUT, SELF-LOCKING	1				
17	4H7-46152-00	.HOUSING, BEARING	1				
18	1J7-46117-Y0-25	.SHIM, RING GEAR (0.25T)	1				UR
	1J7-46117-Y0-30	.SHIM, RING GEAR (0.30T)	1				UR
	1J7-46117-Y0-40	.SHIM, RING GEAR (0.40T)	1				UR
	1J7-46117-Y0-50	.SHIM, RING GEAR (0.50T)	1				UR
19	93316-01403	.BEARING	1				
20	22U-46118-00-12	.SHIM, THRUST (1.2T)	1				UR
	22U-46118-00-14	.SHIM, THRUST (1.4T)	1				UR
	22U-46118-00-16	.SHIM, THRUST (1.6T)	1				UR

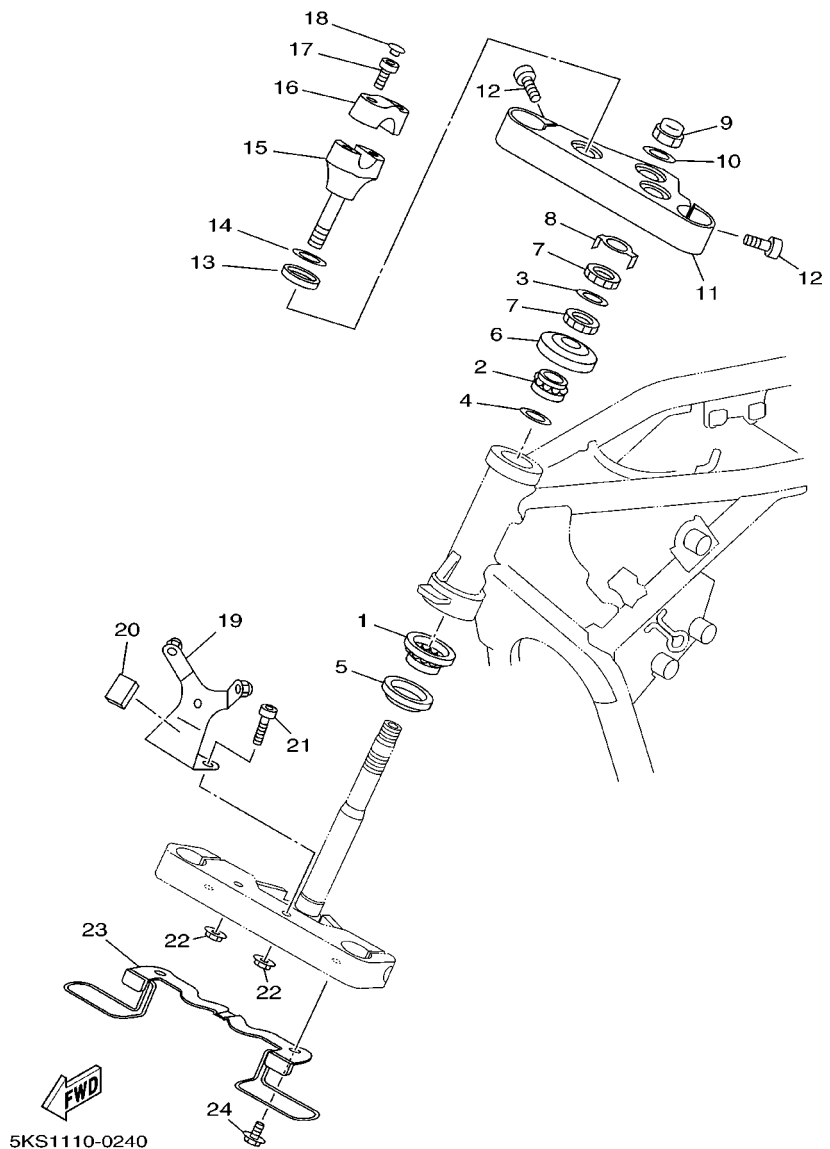
FIG. 23 DRIVE SHAFT



5EL1351-9230

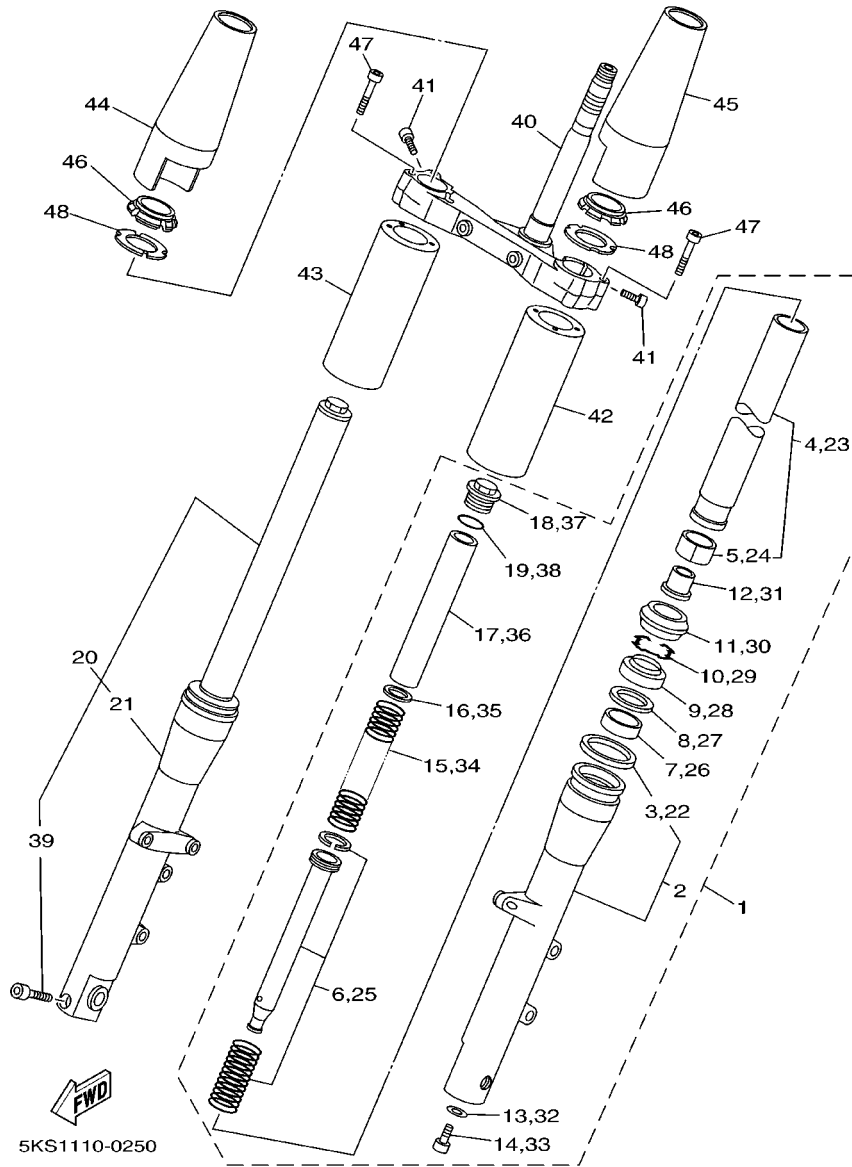
REF. NO.	PART NO.	DESCRIPTION	5KSF				REMARKS
20	22U-46118-00-18	.SHIM, THRUST (1.8T)	1				UR
	22U-46118-00-20	.SHIM, THRUST (2.0T)	1				UR
21	93211-44348	.O-RING	1				
22	95317-08600	.NUT	6				
23	92907-08700	.WASHER	6				
24	95827-10025	.BOLT, FLANGE	2				
25	93102-70167	.OIL SEAL	1				
26	90340-14132	.PLUG, STRAIGHT SCREW	1				
27	214-11198-01	.GASKET	2				
28	56W-17590-00	.BREATHER COMP.	1				
29	90340-14135	.PLUG, STRAIGHT SCREW	1				
30	5EL-46171-00	SHAFT DRIVE ASSY	1				
31	5EL-46154-00	COVER, HOUSING	1				
32	5EL-46297-00	COVER, DUST	1				
33	93108-43014	OIL SEAL	1				
34	90201-266L1	WASHER, PLATE	1				
35	93410-26067	CIRCLIP	1				
36	93410-22039	CIRCLIP	1				
37	90501-16491	SPRING, COMPRESSION	1				
38	4X7-46180-00	CROSS JOINT COMP.	1				
39	93311-21044	BEARING	2				
40	93440-20088	CIRCLIP	2				
41	90176-10075	NUT, CROWN	4				
42	92990-10600	WASHER, PLATE	4				
43	90387-172A5	COLLAR	1				

FIG. 24 STEERING



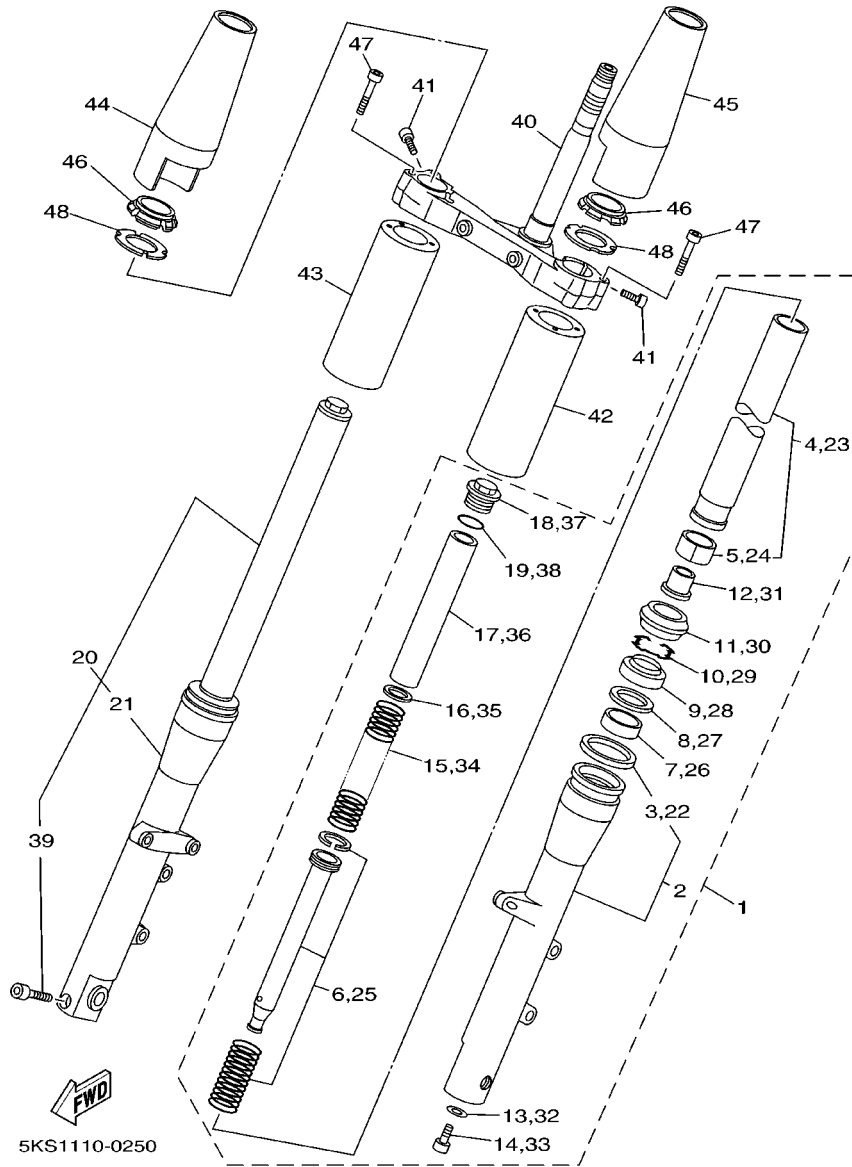
REF. NO.	PART NO.	DESCRIPTION	5KSF				REMARKS
1	93399-99932	BEARING	1				
2	93399-99931	BEARING	1				
3	90202-26142	WASHER, PLATE	1				
4	90202-24190	WASHER, PLATE	1				
5	3FV-23462-00	SEAL, STEERING	1				
6	1W1-23416-00	COVER, BALL RACE 2	1				
7	90179-25033	NUT	2				
8	26H-23418-01	WASHER, SPECIAL	1				
9	90176-22081	NUT, CROWN	1				
10	90201-220T0	WASHER, PLATE	1				
11	4VR-W2341-20	CROWN, HANDLE	1				
12	91314-08030	BOLT	2				
13	3DM-23445-00	DAMPER	2				
14	90201-14220	WASHER, PLATE	2				
15	4VR-23442-00	HOLDER, HANDLE LOWER	2				
16	4VR-23441-00	HOLDER, HANDLE UPPER	2				
17	91314-08025	BOLT	4				
18	90338-08163	PLUG	4				
19	5BN-23174-00	STAY, HEADLIGHT	1				
20	5BN-2317J-00	DAMPER 1	1				
21	92014-08040	BOLT, BUTTON HEAD	2				
22	95707-08500	NUT, FLANGE	2				
23	5KS-25886-00	HOLDER, BRAKE HOSE	1				
24	95024-06010	BOLT, FLANGE	2				

FIG. 25 FRONT FORK



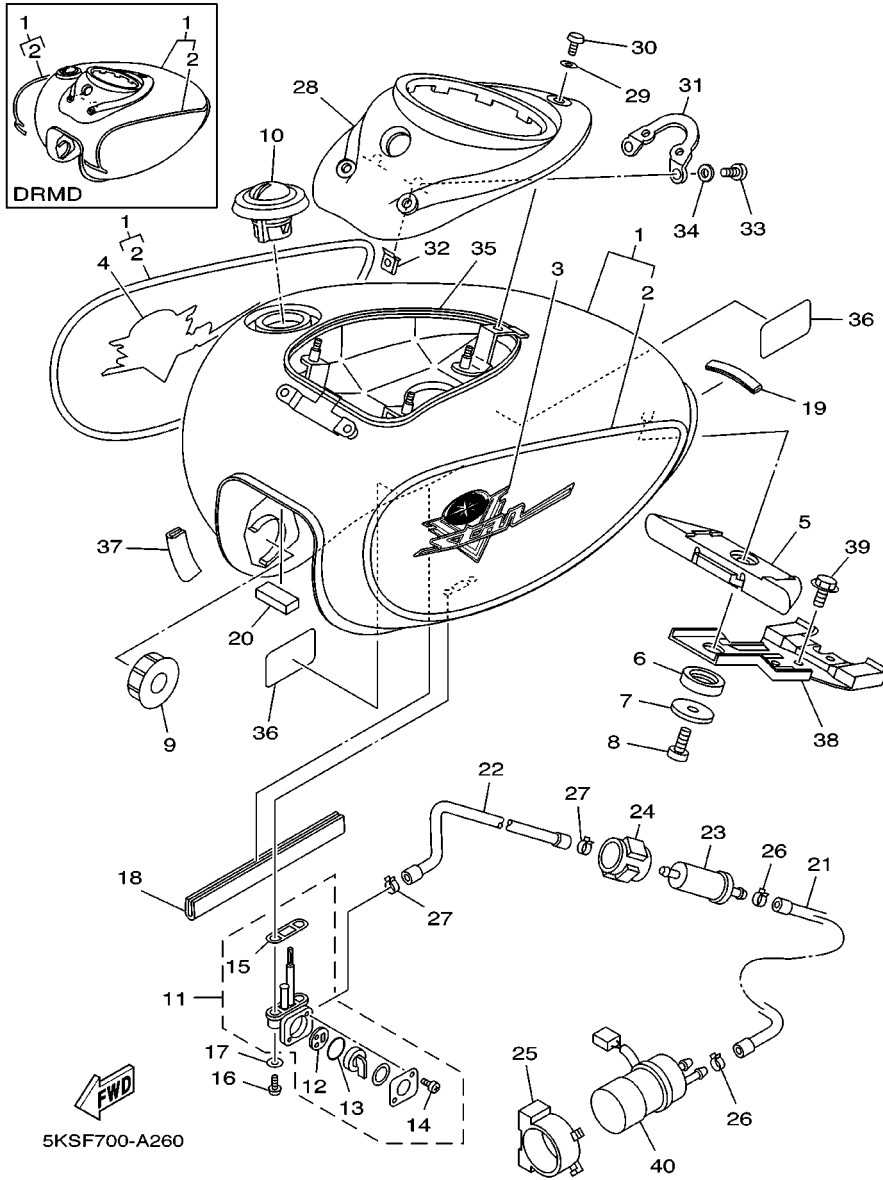
REF. NO.	PART NO.	DESCRIPTION	5KSF				REMARKS
1	5KS-23102-00	FRONT FORK ASSY (L.H)	1				
2	5KS-23126-00	.TUBE, OUTER (LEFT)	1				
3	5BN-23193-00	..GUIDE, BOOT	1				
4	5KS-23110-00	.INNER TUBE COMP.1	1				
5	5BN-23171-00	..PISTON, FRONT FORK	1				
6	5EL-23170-00	.CYLINDER COMP., FRONT FORK	1				
7	4FM-23125-40	.METAL, SLIDE 1	1				
8	36Y-23146-10	.WASHER, OIL SEAL	1				
9	4EB-23145-00	.OIL SEAL	1				
10	26H-23156-00	.CLIP, OIL SEAL	1				
11	4EB-23144-00	.SEAL, DUST	1				
12	4YR-23173-00	.SPINDLE, TAPER	1				
13	509-23158-L0	.GASKET	1				
14	278-23181-50	.BOLT, HEXAGON SOCKET HEAD	1				
15	5KS-23141-00	.SPRING, FRONT FORK	1				
16	4DW-23149-40	.WASHER, SPRING UPPER	1				
17	5EL-23118-00	.SPACER	1				
18	3EN-23111-51	.BOLT, CAP	1				
19	43F-23188-10	.O-RING	1				
20	5KS-23103-00	FRONT FORK ASSY (R.H)	1				
21	5KS-23136-00	.TUBE, OUTER (RIGHT)	1				
22	5BN-23193-00	..GUIDE, BOOT	1				
23	5KS-23110-00	.INNER TUBE COMP.1	1				
24	5BN-23171-00	..PISTON, FRONT FORK	1				
25	5EL-23170-00	.CYLINDER COMP., FRONT FORK	1				
26	4FM-23125-40	.METAL, SLIDE 1	1				
27	36Y-23146-10	.WASHER, OIL SEAL	1				

FIG. 25 FRONT FORK



REF. NO.	PART NO.	DESCRIPTION	5KSF					REMARKS
28	4EB-23145-00	.OIL SEAL	1					
29	26H-23156-00	.CLIP, OIL SEAL	1					
30	4EB-23144-00	.SEAL, DUST	1					
31	4YR-23173-00	.SPINDLE, TAPER	1					
32	509-23158-L0	.GASKET	1					
33	278-23181-50	.BOLT, HEXAGON SOCKET HEAD	1					
34	5KS-23141-00	.SPRING, FRONT FORK	1					
35	4DW-23149-40	.WASHER, SPRING UPPER	1					
36	5EL-23118-00	.SPACER	1					
37	3EN-23111-51	.BOLT, CAP	1					
38	43F-23188-10	.O-RING	1					
39	91314-08040	.BOLT	1					
40	5KS-23340-00	UNDER BRACKET COMP.	1					
41	91314-08020	BOLT	4					
42	5KS-23123-00	COVER, LOWER 1	1					
43	5KS-23133-00	COVER, LOWER 2	1					
44	5BN-23131-00	COVER, UPPER 2	1					
45	5BN-23121-00	COVER, UPPER 1	1					
46	5BN-23163-00	GASKET	2					
47	5BN-23394-00	BOLT, SPECIAL	6					
48	5BN-23165-00	WASHER, FELT	2					

FIG. 26 FUEL TANK



REF. NO.	PART NO.	DESCRIPTION	5KSF				REMARKS
1	5EL-Y2410-T0-07	FUEL TANK COMP.	1				UR YB
	5EL-Y2410-T0-08	FUEL TANK COMP.	1				UR EBR/YS2
	5EL-Y2410-T0-09	FUEL TANK COMP.	1				UR DRMD/BL2
2	5KS-24240-80	.GRAPHIC SET	1				UR FOR YB
	5KS-24240-90	.GRAPHIC SET	1				UR FOR EBR
	5KS-24240-A0	.GRAPHIC SET	1				UR FOR DRMD
3	5KS-2416B-10	EMBLEM	1				UR FOR YB
	5KS-2416B-00	EMBLEM	1				UR FOR EBR,DRMD
4	5KS-2417B-10	EMBLEM	1				UR FOR YB
	5KS-2417B-00	EMBLEM	1				UR FOR EBR,DRMD
5	5EL-24182-00	DAMPER, LOCATING 2	1				
6	4TR-24183-00	DAMPER, LOCATING 3	1				
7	90201-060S9	WASHER, PLATE	1				
8	92017-06012	BOLT, BUTTON HEAD	1				
9	2YK-24181-10	DAMPER, LOCATING 1	2				
10	5BN-24602-00	CAP ASSY	1				
11	4WM-24500-00	FUEL COCK ASSY 1	1				
12	3AJ-24523-00	.VALVE PACKING	1				
13	3AJ-24534-00	.SEAL, COCK	1				
14	97801-03008	.SCREW, PAN HEAD	2				
15	4X8-24512-00	.O-RING	1				
16	90149-06011	SCREW	2				
17	90202-05193	WASHER, PLATE	2				
18	1FK-2171L-00	MOLE, SIDE COVER 1	1				
19	5EL-24188-00	MOLD, FUEL TANK	1				
20	3XV-21717-00	DAMPÉR	1				
21	5EL-24311-00	PIPE, FUEL 1	1				

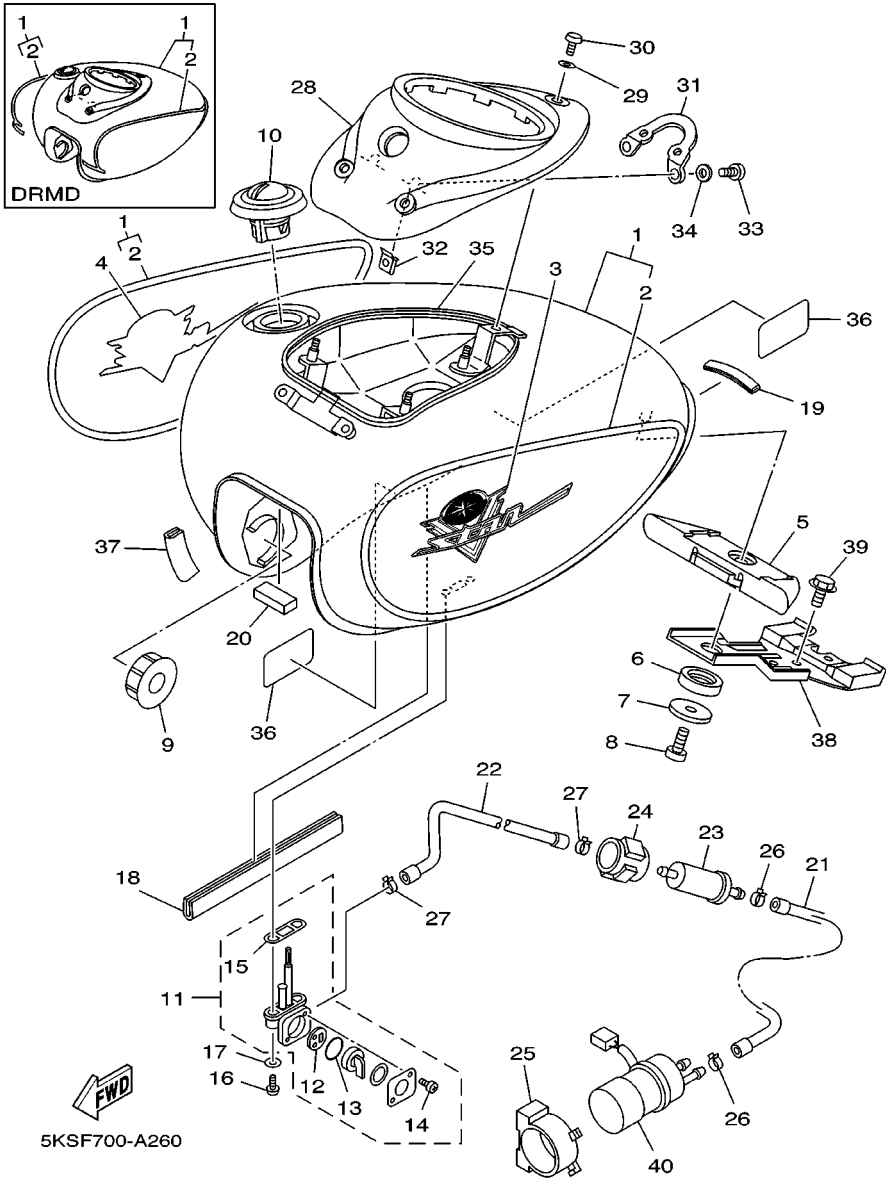
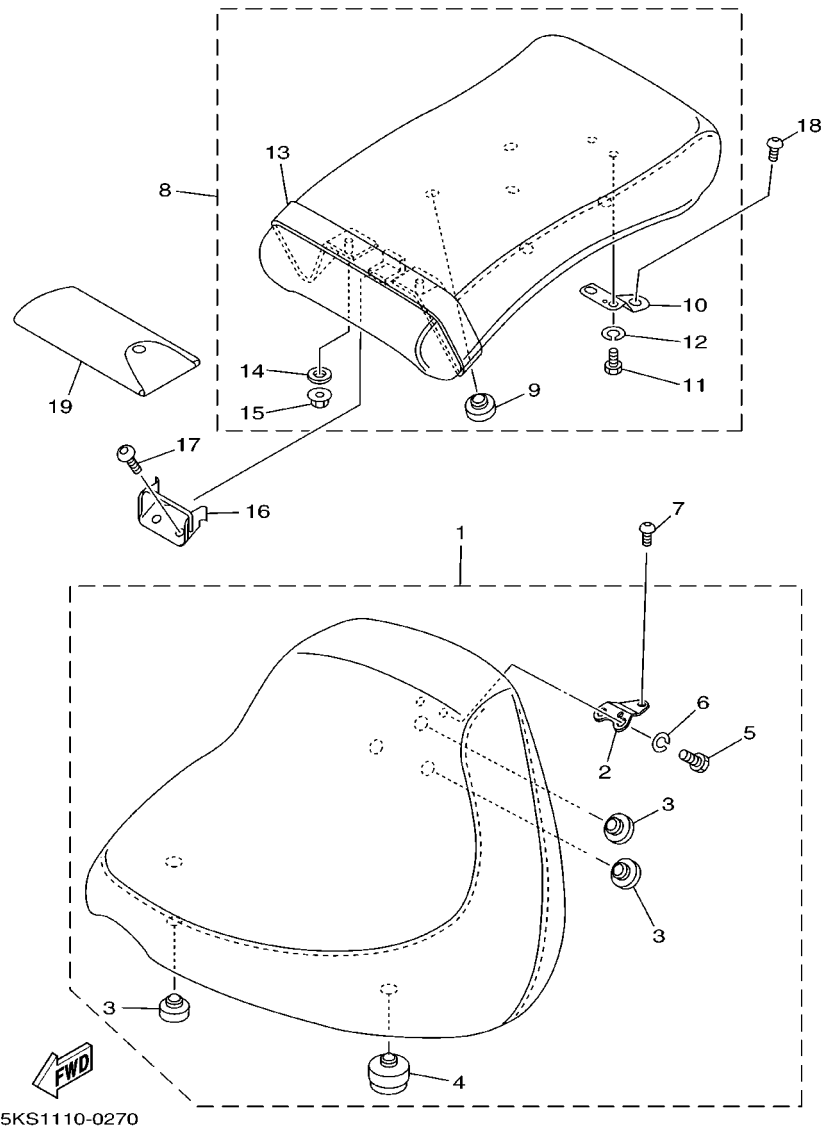


FIG. 26 FUEL TANK

REF. NO.	PART NO.	DESCRIPTION	5KSF				REMARKS
22	5EL-24313-00	PIPE 3	1				
23	1FK-24560-10	FILTER ASSY	1				
24	1FK-24566-00	BRACKET, FILTER	1				
25	4EB-24398-00	BAND 1	1				
26	90467-12053	CLIP	2				
27	90467-11028	CLIP	2				
28	5EL-2171A-00	COVER, TOP	1				
29	90202-05180	WASHER, PLATE	3				
30	90110-05201	BOLT, HEXAGON SOCKET HEAD	3				
31	5EL-2412F-00	BRACKET, SEAT	1				
32	90183-05061	NUT, SPRING	2				
33	98507-05012	SCREW, PAN HEAD	2				
34	92907-05600	WASHER, PLATE	2				
35	5EL-2414G-00	SEAL	2				
36	4DN-21268-00	SEAL	2				
37	5EL-24188-00	MOLD, FUEL TANK	1				
38	5EL-2411F-00	PLATE, FITTING 1	1				
39	95807-08012	BOLT, FLANGE	2				
40	3LN-13907-00	FUEL PUMP COMP.	1				

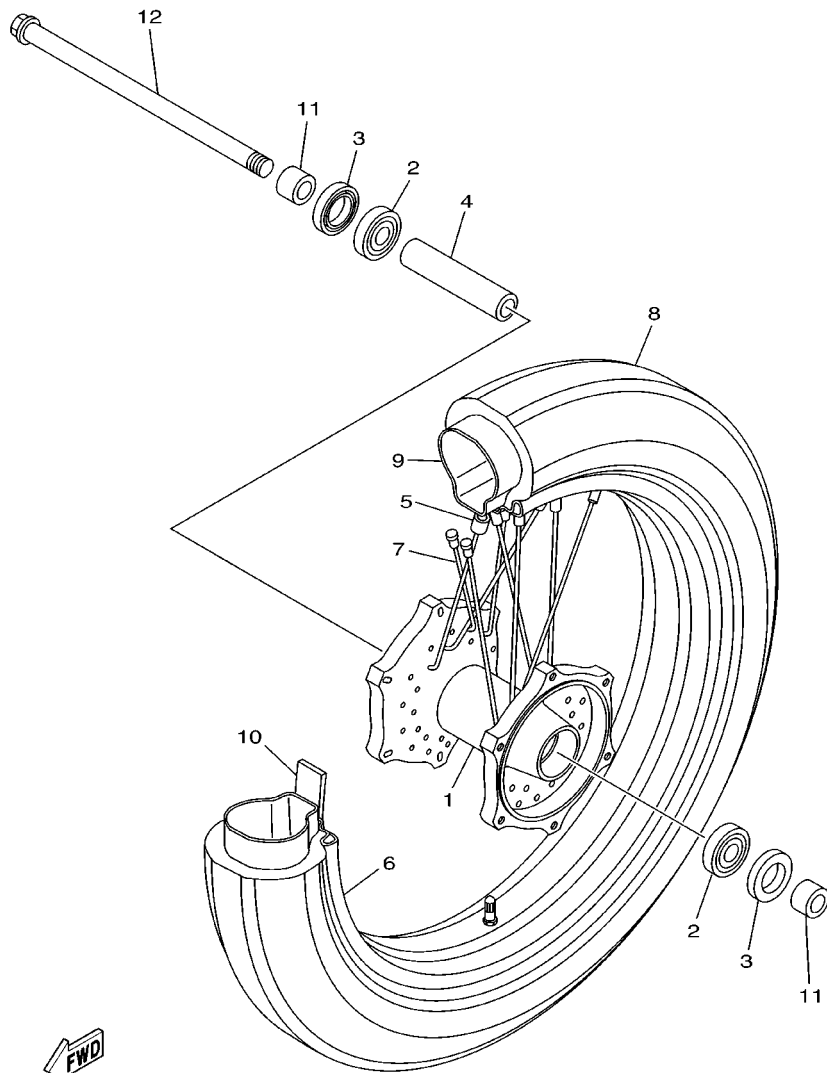
FIG. 27 SEAT



5KS1110-0270

REF. NO.	PART NO.	DESCRIPTION	5KSF					REMARKS
1	5KS-24710-00	SINGLE SEAT ASSY	1					
2	5KS-2475H-00	.BRACKET, SEAT LEVER 1	1					
3	22W-24741-00	.PAD, SEAT	4					
4	1T4-24741-00	.PAD, SEAT	2					
5	97007-06012	.BOLT	2					
6	92907-06100	.WASHER, SPRING	2					
7	92014-08012	BOLT, BUTTON HEAD	1					
8	5KS-24750-00	TANDEM SEAT ASSY	1					
9	22W-24741-00	.PAD, SEAT	5					
10	5BN-2475J-00	.BRACKET, SEAT LEVER 2	1					
11	97007-06012	.BOLT	2					
12	92907-06100	.WASHER, SPRING	2					
13	5KS-24734-00	.BAND, SEAT	1					
14	90207-06380	.WASHER, FINISH	2					
15	95707-06500	.NUT, FLANGE	2					
16	5KS-2475N-00	BRACKET	1					
17	92017-06016	BOLT, BUTTON HEAD	2					
18	92014-08012	BOLT, BUTTON HEAD	1					
19	5EL-28100-10	TOOL KIT	1					

FIG. 28 FRONT WHEEL

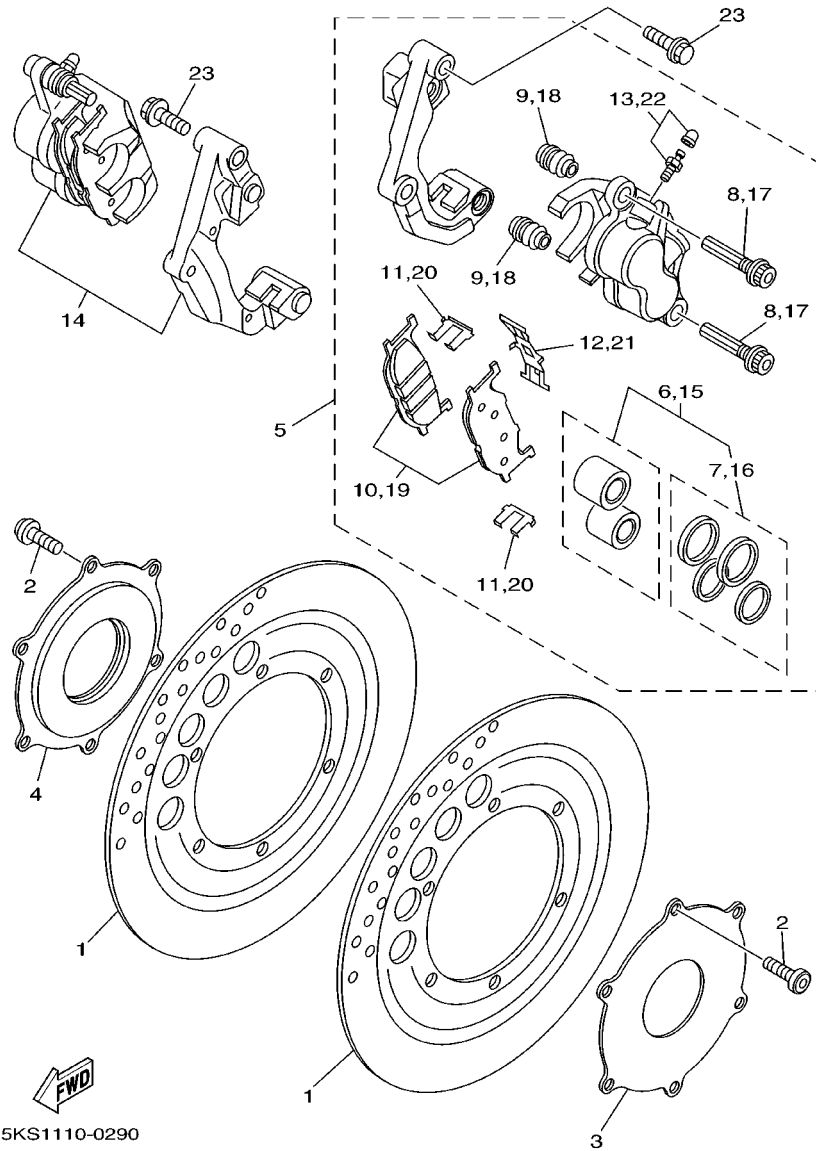


REF. NO.	PART NO.	DESCRIPTION	5KSF				REMARKS
1	5EL-25111-00	HUB, FRONT	1				
2	93306-30317	BEARING	2				
3	93102-28022	OIL SEAL	2				
4	90387-173M5	COLLAR	1				
5	5V4-25398-00	BALANCER, WHEEL	1				UN
6	94430-16565	RIM	1				
7	5KS-25104-00	SPOKE SET, FRONT	1				
8	94113-1613E	TIRE (130/90-16 67S D404F)	1				DUNLOP
9	94213-16305	TUBE (130/90-16 TR4)	1				DUNLOP
10	94313-16175	BAND,RIM (120-140/90-16)	1				DUNLOP
11	90387-173R6	COLLAR	2				
12	5KS-25181-00	AXLE, WHEEL	1				



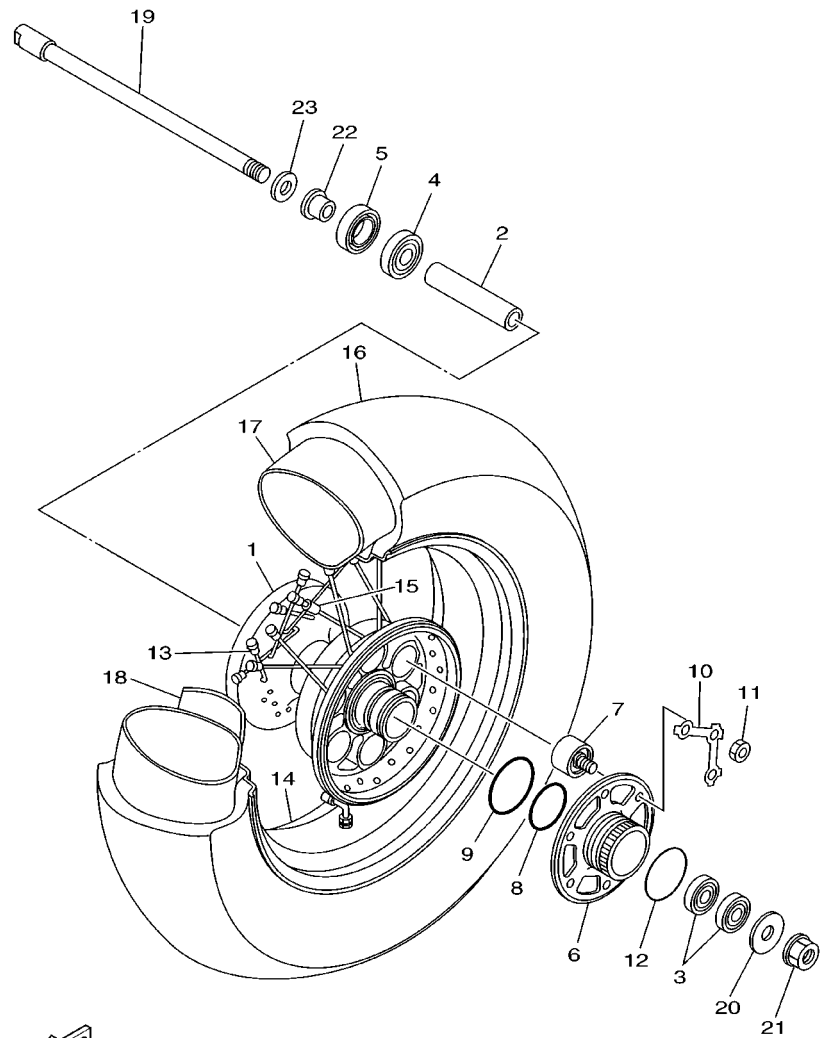
5KS1110-0280

FIG. 29 FRONT BRAKE CALIPER



REF. NO.	PART NO.	DESCRIPTION	5KSF				REMARKS
1	3JB-2582U-01	DISC, BRAKE (RIGHT)	2				
2	90109-08006	BOLT	12				
3	5EL-2514A-00	RING, WHEEL 1 (LEFT)	1				
4	5KS-2515A-00	RING, WHEEL 2 (RIGHT)	1				
5	5KS-2580T-00	CALIPER ASSY (LEFT)	1				
6	5KS-W0057-00	.PISTON ASSY, CALIPER	1				
7	4FU-W0047-00	..CALIPER SEAL KIT	1				
8	4TT-25914-00	.PIN, SLIDE	2				
9	4TT-25937-00	.BOOT 2	2				
10	4EB-W0045-00	.BRAKE PAD KIT	1				
11	4BP-25919-00	.SUPPORT, PAD	2				
12	3YX-25929-00	.SPRING, ANTI RATTLE	1				
13	51L-W0048-00	.BLEED SCREW KIT	1				
14	5KS-2580U-00	CALIPER ASSY (RIGHT)	1				
15	5KS-W0057-00	.PISTON ASSY, CALIPER	1				
16	4FU-W0047-00	..CALIPER SEAL KIT	1				
17	4TT-25914-00	.PIN, SLIDE	2				
18	4TT-25937-00	.BOOT 2	2				
19	4EB-W0045-00	.BRAKE PAD KIT	1				
20	4BP-25919-00	.SUPPORT, PAD	2				
21	3YX-25929-00	.SPRING, ANTI RATTLE	1				
22	51L-W0048-00	.BLEED SCREW KIT	1				
23	90105-10638	BOLT, FLANGE	4				

FIG. 30 REAR WHEEL

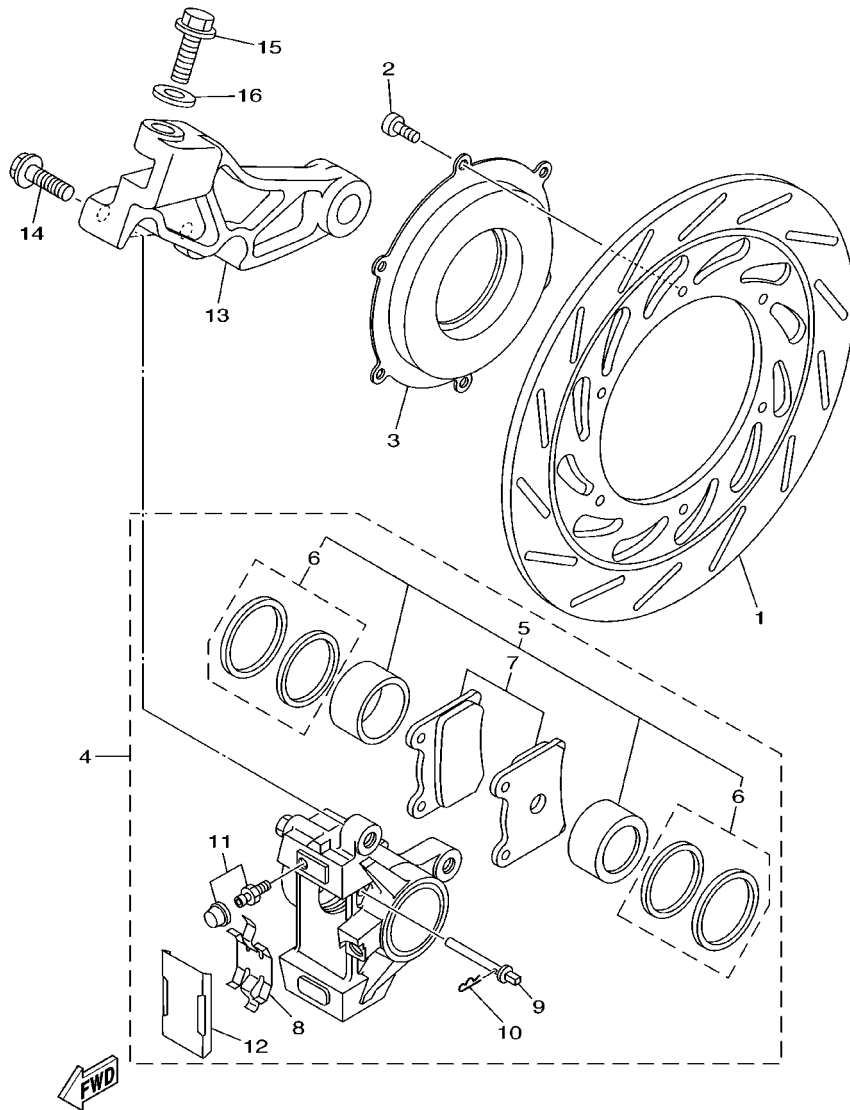


REF. NO.	PART NO.	DESCRIPTION	5KSF				REMARKS
1	5EL-25311-00	HUB, REAR	1				
2	90387-173M5	COLLAR	1				
3	93306-20348	BEARING	2				
4	93306-30317	BEARING	1				
5	93102-25044	OIL SEAL	1				
6	16G-25366-01	CLUTCH, HUB	1				
7	5EL-25364-00	DAMPER	6				
8	93210-48530	O-RING	1				
9	93210-59531	O-RING	1				
10	16G-25412-00	WASHER	2				
11	90170-10219	NUT	6				
12	93210-57428	O-RING	1				
13	5KS-25304-00	SPOKE SET, REAR	1				
14	94445-15607	RIM	1				
15	5V4-25398-00	BALANCER, WHEEL	1				UN
16	94117-15009	TIRE (170/80-15M/C 77S)	1				DUNLOP
17	94217-15299	TUBE (150/170-90/80-15)	1				DUNLOP
18	94317-15180	BAND, RIM (170/80-15)	1				DUNLOP
19	5EL-25381-00	AXLE, WHEEL	1				
20	90201-160T2	WASHER, PLATE	1				
21	95604-16200	NUT, U FLANGE	1				
22	90387-177Y4	COLLAR	1				
23	4H7-25377-00	COLLAR, WHEEL	1				



5EL1351-9300

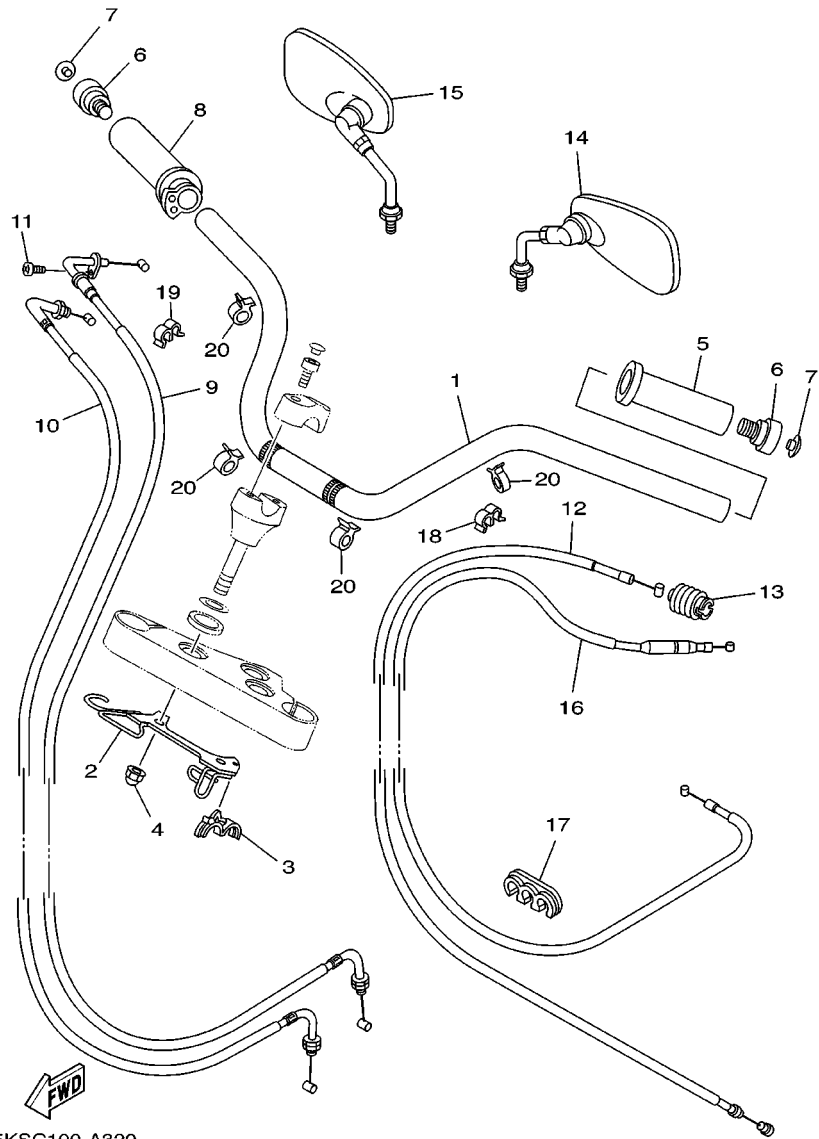
FIG. 31 REAR BRAKE CALIPER



5KS7100-1310

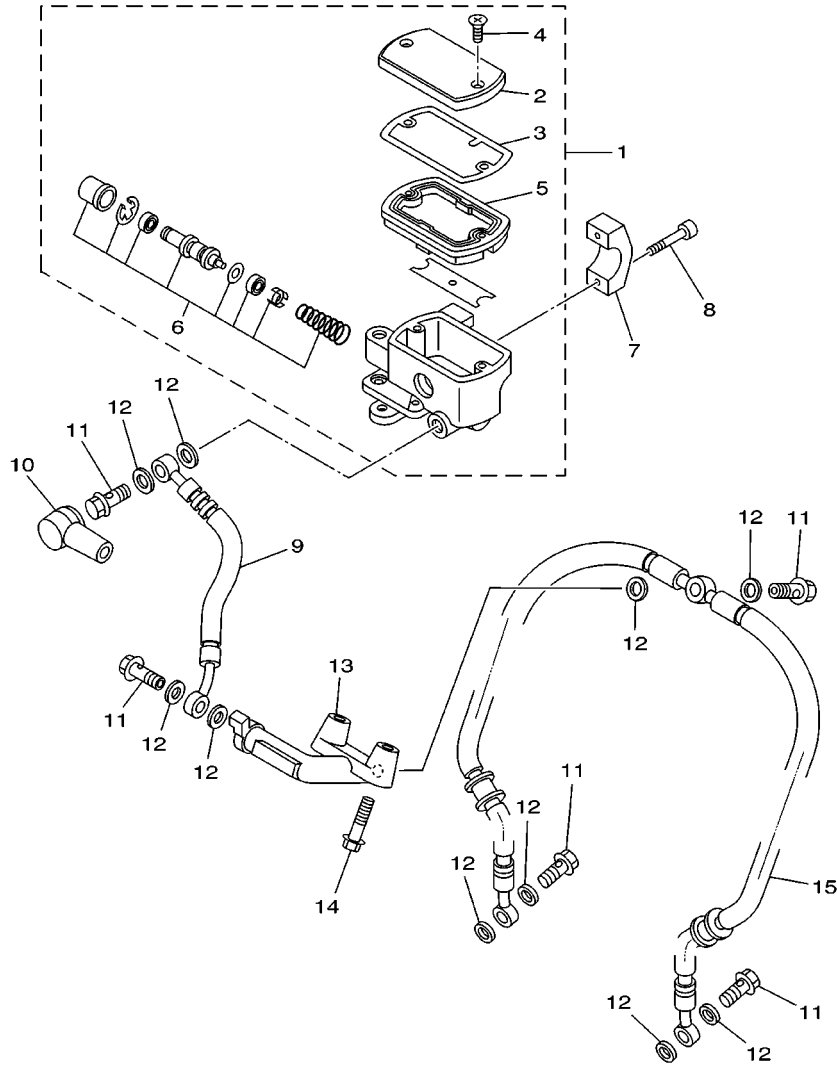
REF. NO.	PART NO.	DESCRIPTION	5KSF					REMARKS
1	5KS-2582W-00	DISC, REAR BRAKE 2	1					
2	90109-083G4	BOLT	6					
3	5KS-2515A-20	RING, WHEEL 2 (RIGHT)	1					
4	5EL-2580W-00	CALIPER ASSY, REAR 2	1					
5	31A-W0057-00	.PISTON ASSY, CALIPER	1					
6	31A-W0047-00	..CALIPER SEAL KIT	1					
7	3XF-W0045-50	.BRAKE PAD KIT	1					
8	29L-25919-00	.SUPPORT, PAD	1					
9	3HE-25924-00	.PIN, PAD	2					
10	3GM-25925-00	.CLIP	2					
11	1J3-W0048-00	.BLEED SCREW KIT	1					
12	51J-25836-00	.COVER, DUST	1					
13	5EL-25819-01	BRACKET, CALIPER	1					
14	90105-10638	BOLT, FLANGE	2					
15	90105-10010	BOLT, FLANGE	1					
16	90201-10140	WASHER, PLATE	1					

FIG. 32 STEERING HANDLE. CABLE



REF. NO.	PART NO.	DESCRIPTION	5KSF				REMARKS
1	5KS-26111-00	HANDLEBAR	1				
2	5KS-23389-00	GUIDE, CABLE	1				
3	90464-18246	CLAMP	2				
4	90176-12052	NUT, CROWN	2				
5	4NK-26241-00	GRIP	1				
6	5EL-26246-00	END, GRIP	2				
7	5EL-23469-00	CAP, BOLT	2				
8	4XY-26240-00	GRIP ASSY	1				
9	5KS-26311-01	CABLE, THROTTLE 1	1				
10	5KS-26312-01	CABLE, THROTTLE 2	1				
11	98507-05008	SCREW, PAN HEAD	1				
12	5KS-26335-00	CABLE, CLUTCH	1				
13	1E6-26342-00	BOOT, CABLE	1				
14	4NK-26280-00	REAR VIEW MIRROR ASSY (LEFT)	1				
15	4NK-26290-00	REAR VIEW MIRROR ASSY (RIGHT)	1				
16	5EL-26331-00	CABLE, STARTER 1	1				
17	90464-07003	CLAMP	2				
18	90468-15139	CLIP	1				
19	90464-06214	CLAMP	1				
20	90464-15192	CLAMP	4				

FIG. 33 FRONT MASTER CYLINDER

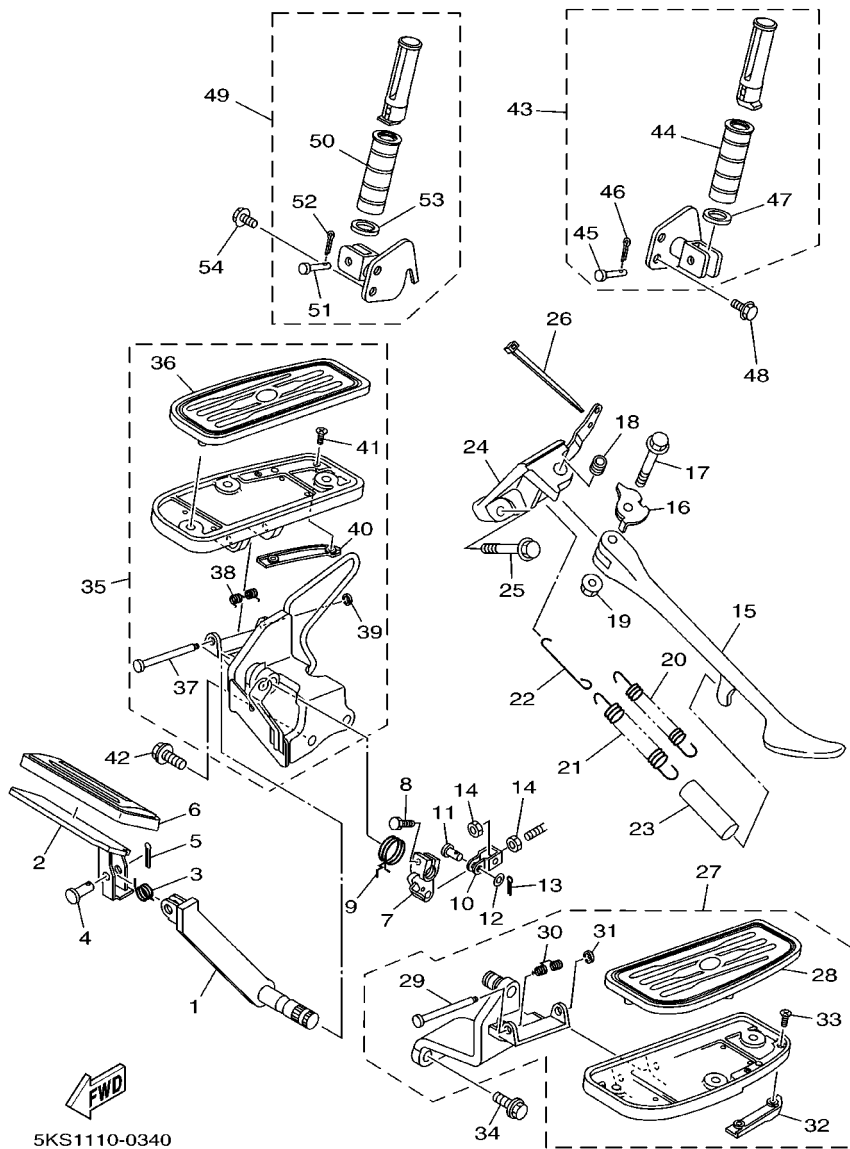


REF. NO.	PART NO.	DESCRIPTION	5KSF				REMARKS
1	4TR-25870-01	MASTER CYLINDER SUB ASSY	1				
2	4TR-25852-01	.CAP, RESERVOIR	1				
3	4BH-25815-00	.SEAL, PISTON	1				
4	4TR-2589H-00	.SCREW	2				
5	4BH-25854-02	.DIAPHRAGM, RESERVOIR	1				
6	2KR-W0041-00	.CYLINDER KIT, MASTER	1				
7	4TR-25867-00	BRACKET, MASTER CYLINDER	1				
8	91314-06025	BOLT	2				
9	5KS-25872-00	HOSE, BRAKE 1	1				
10	4L0-25862-01	BOOT, MASTER CYLINDER	1				
11	90401-10159	BOLT, UNION	5				
12	90201-10118	WASHER, PLATE	10				
13	5KS-25885-00	JOINT	1				
14	95807-06030	BOLT, FLANGE	2				
15	5KS-25873-00	HOSE, BRAKE 2	1				



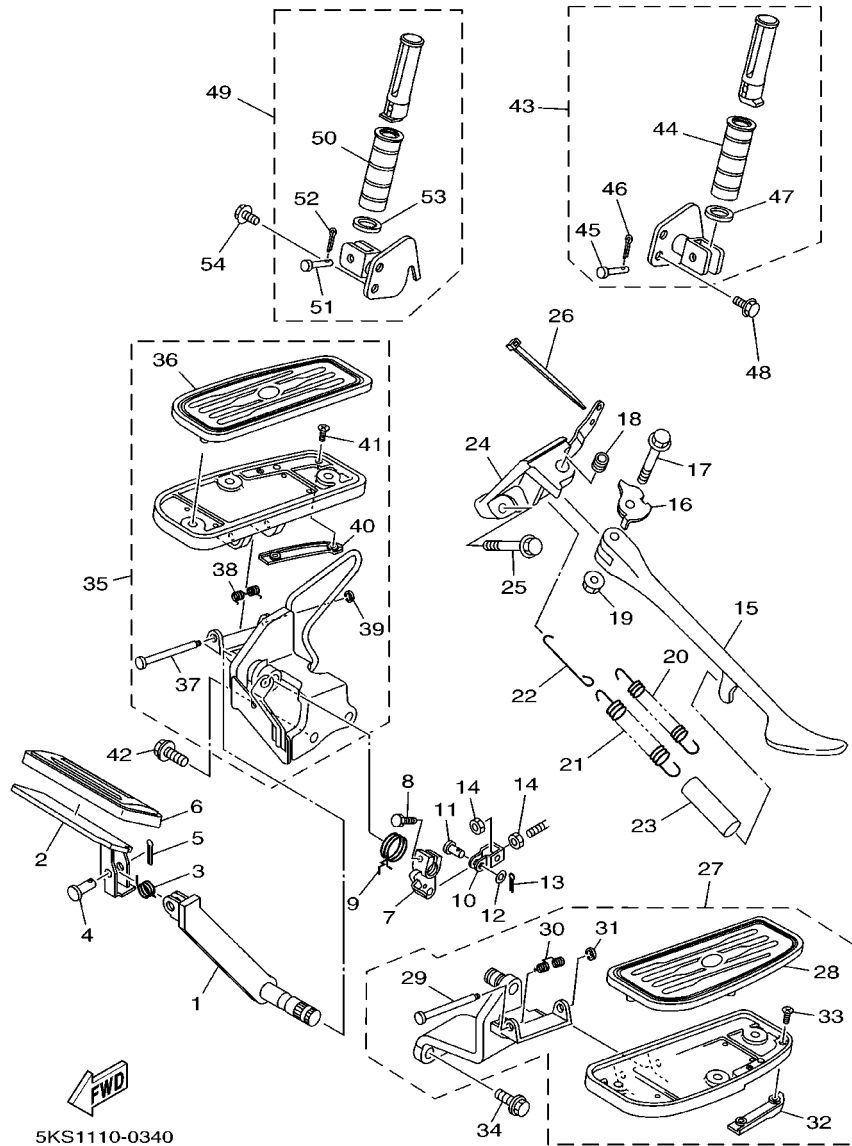
5KSC100-A330

FIG. 34 STAND, FOOTREST



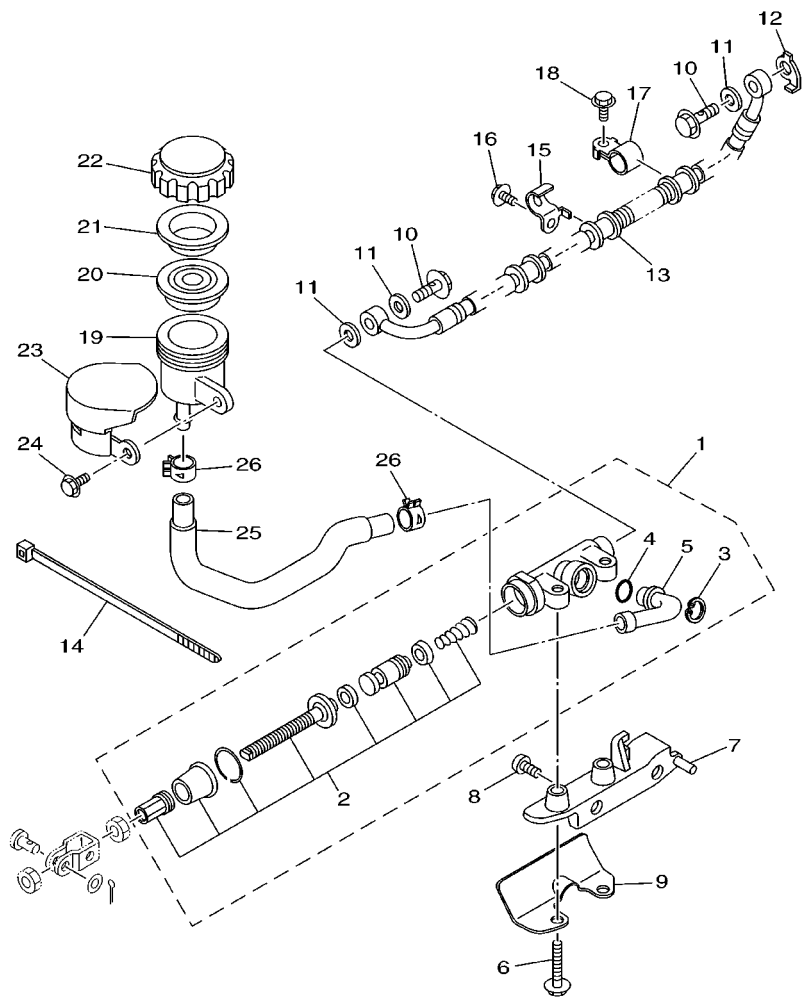
REF. NO.	PART NO.	DESCRIPTION	5KSF				REMARKS
1	5KS-27211-00	PEDAL, BRAKE	1				
2	4NK-27242-00	PEDAL, BRAKE	1				
3	90508-186B1	SPRING, TORSION	1				
4	91701-06022	PIN, CLEVIS	1				
5	91401-20012	PIN, COTTER	1				
6	4NK-27285-00	CAP	1				
7	5EL-27262-00	LEVER	1				
8	97004-06020	BOLT	1				
9	5EL-27216-00	SPRING, RETURN	1				
10	4BP-27222-00	JOINT	1				
11	90240-08124	PIN, CLEVIS	1				
12	90201-08083	WASHER, PLATE	1				
13	91401-20012	PIN, COTTER	1				
14	95307-08700	NUT	2				
15	4KU-27311-13	STAND, SIDE	1				
16	5EL-27322-01	WASHER	1				
17	90105-10012	BOLT, FLANGE	1				
18	90387-1003G	COLLAR	1				
19	95607-10200	NUT, SELF-LOCKING	1				
20	90506-23490	SPRING, TENSION	1				
21	90506-29507	SPRING, TENSION	1				
22	5EL-27315-00	LINK, SIDE STAND	1				
23	90445-16641	HOSE (L60)	1				
24	5EL-27321-00	BRACKET, SIDE STAND	1				
25	95817-10045	BOLT, FLANGE	2				
26	1UA-82591-00	BAND	1				
27	5KS-27410-00	FRONT FOOTREST ASSY (LEFT)	1				

FIG. 34 STAND. FOOTREST



REF. NO.	PART NO.	DESCRIPTION	5KSF					REMARKS
28	4XY-27413-00	.COVER, FOOTREST	1					
29	4NK-27427-00	.SHAFT	1					
30	4NK-27426-00	.SPRING, RETURN	1					
31	99001-06600	.CIRCLIP	1					
32	4WM-27496-00	.MOLE 1	1					
33	90152-05008	.SCREW, COUNTERSUNK	2					
34	90105-102A3	BOLT, FLANGE	2					
35	5KS-27420-00	FRONT FOOTREST ASSY (RIGHT)	1					
36	4XY-27423-00	.COVER, FOOTREST	1					
37	4NK-27427-00	.SHAFT	1					
38	4NK-27426-00	.SPRING, RETURN	1					
39	99001-06600	.CIRCLIP	1					
40	4WM-27497-00	.MOLE 2	1					
41	90152-05008	.SCREW, COUNTERSUNK	2					
42	90105-102A3	BOLT, FLANGE	2					
43	5EL-27430-00	REAR FOOTREST ASSY 1	1					
44	4WM-27433-00	.COVER, REAR FOOTREST	1					
45	91701-06032	.PIN, CLEVIS	1					
46	91401-20012	.PIN, COTTER	1					
47	90201-210U0	.WASHER, PLATE	1					
48	90105-082A5	BOLT, FLANGE	2					
49	5EL-27440-00	REAR FOOTREST ASSY 2	1					
50	4WM-27433-00	.COVER, REAR FOOTREST	1					
51	91701-06032	.PIN, CLEVIS	1					
52	91401-20012	.PIN, COTTER	1					
53	90201-210U0	.WASHER, PLATE	1					
54	90105-082A5	BOLT, FLANGE	2					

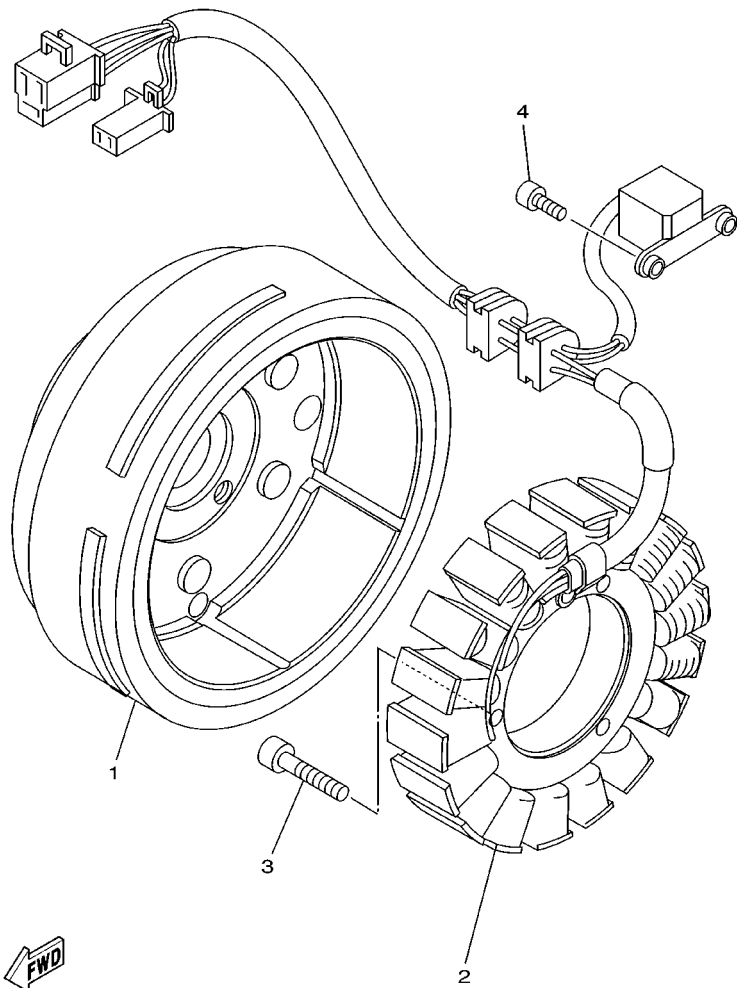
FIG. 35 REAR MASTER CYLINDER



5EL1351-9350

REF. NO.	PART NO.	DESCRIPTION	5KSF					REMARKS
1	5EL-2583V-00	RR. MASTER CYLINDER ASSY.	1					
2	5EL-W0042-50	.CYLINDER KIT, MASTER	1					
3	2VN-25866-00	.CIRCLIP	1					
4	93210-15620	.O-RING	1					
5	3LD-2582A-00	.JOINT	1					
6	95027-08035	BOLT, FLANGE	2					
7	5EL-25867-00	BRACKET, MASTER CYLINDER	1					
8	92014-08016	BOLT, BUTTON HEAD	2					
9	5EL-27491-00	PROTECTOR	1					
10	90401-10159	BOLT, UNION	2					
11	90201-10118	WASHER, PLATE	3					
12	5EL-25844-00	WASHER, LOCK	1					
13	5EL-2581J-01	HOSE, BRAKE 4	1					
14	1UA-82591-00	BAND	7					
15	3XV-25876-00	HOLDER, BRAKE HOSE 2	1					
16	95027-06010	BOLT, FLANGE	1					
17	90461-10127	CLAMP	1					
18	95027-06010	BOLT, FLANGE	1					
19	31A-25894-01	TANK, RESERVOIR	1					
20	360-25854-01	DIAPHRAGM, RESERVOIR	1					
21	2GU-25855-00	BUSH,DIAPHRAGM	1					
22	2KF-25852-50	CAP, RESERVOIR	1					
23	5EL-25888-00	COVER, RESERVOIR TANK	1					
24	95027-06016	BOLT, FLANGE	1					
25	5EL-25895-00	HOSE, RESERVOIR	1					
26	90467-14057	CLIP	2					

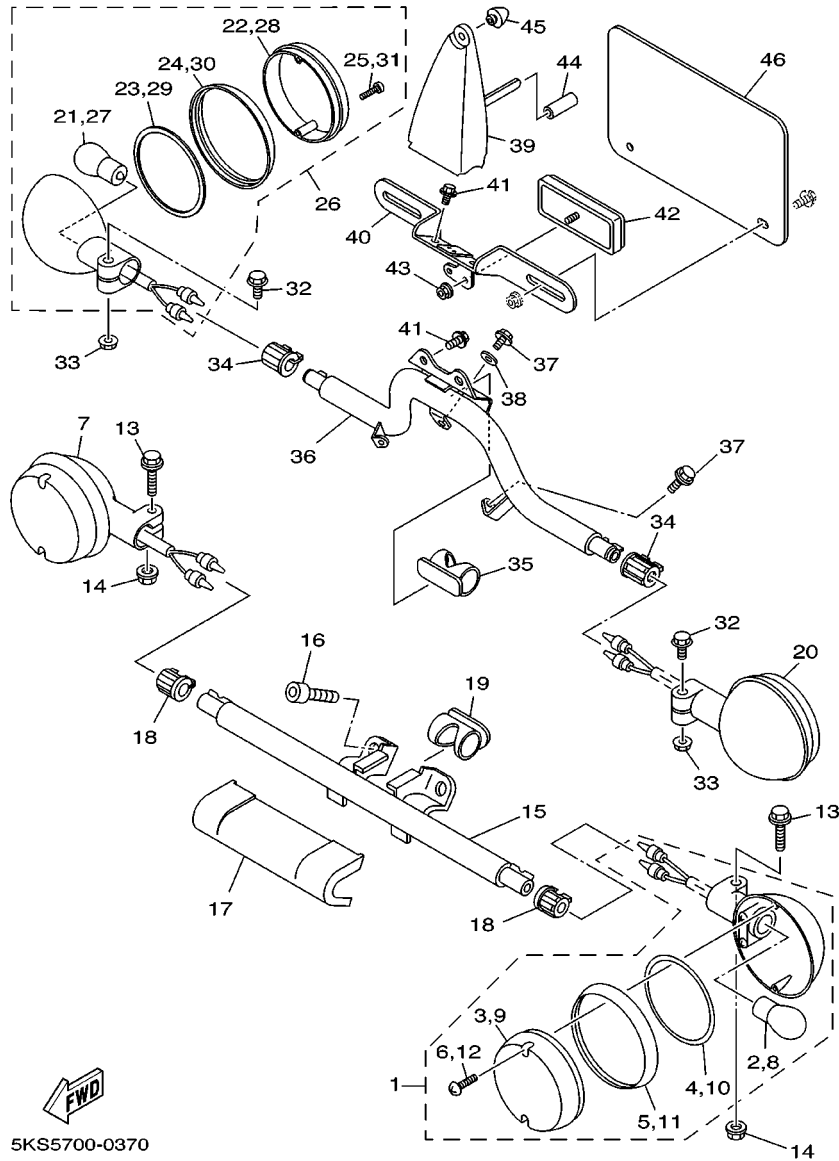
FIG. 36 GENERATOR



5EL1351-9360

REF. NO.	PART NO.	DESCRIPTION	5KSF				REMARKS
1	5EL-81450-10	ROTOR ASSY	1				
2	5EL-81410-00	STATOR ASSY	1				
3	91317-06030	BOLT	3				
4	91317-05012	BOLT	2				

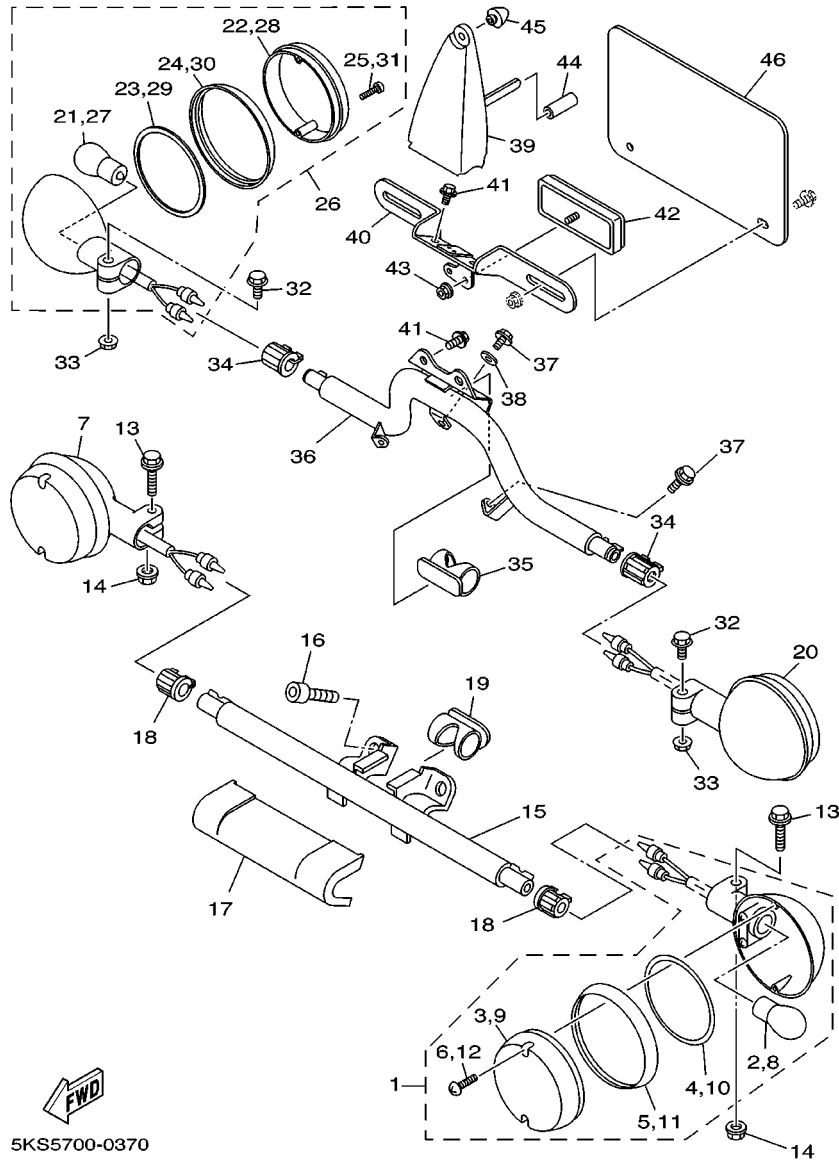
FIG. 37 FLASHER LIGHT



5KS5700-0370

REF. NO.	PART NO.	DESCRIPTION	5KSF				REMARKS
1	2EN-83310-00	FRONT FLASHER LIGHT ASSY 1	1				
2	2AE-83311-00	.BULB, FLASHER (12V-21W)	1				
3	42X-83312-00	.LENS, FLASHER	1				
4	42X-83313-00	.GASKET, FLASHER LENS	1				
5	42X-83363-00	.LENS, RIM	1				
6	57M-83358-00	.SCREW, SPECIAL	2				
7	2EN-83320-00	FRONT FLASHER LIGHT ASSY 2	1				
8	2AE-83311-00	.BULB, FLASHER (12V-21W)	1				
9	42X-83312-00	.LENS, FLASHER	1				
10	42X-83313-00	.GASKET, FLASHER LENS	1				
11	42X-83363-00	.LENS, RIM	1				
12	57M-83358-00	.SCREW, SPECIAL	2				
13	95024-06030	BOLT, FLANGE	2				
14	95704-06500	NUT, FLANGE	2				
15	5BN-2317V-00	STAY 8	1				
16	91314-08016	BOLT	2				
17	4NK-23122-01	COVER, OUTER 1	1				
18	4NK-83321-00	DAMPER, FLASHER 1	2				
19	4NK-83345-00	PLUG, BLIND	1				
20	2EN-83330-00	REAR FLASHER LIGHT ASSY 1	1				
21	2AE-83311-00	.BULB, FLASHER (12V-21W)	1				
22	2AE-83312-00	.LENS, FLASHER	1				
23	42X-83313-00	.GASKET, FLASHER LENS	1				
24	42X-83363-00	.LENS, RIM	1				
25	57M-83358-00	.SCREW, SPECIAL	2				
26	2EN-83340-00	FLASHER LIGHT ASSY 2	1				
27	2AE-83311-00	.BULB, FLASHER (12V-21W)	1				

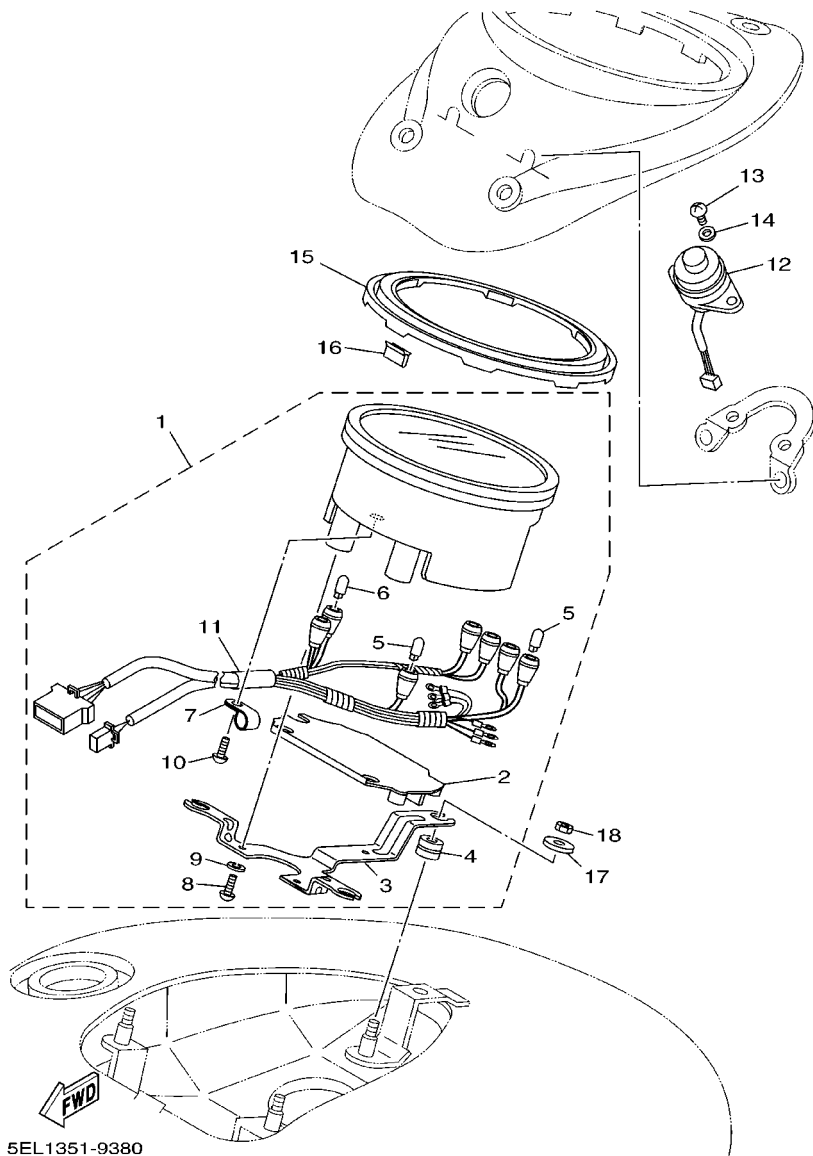
FIG. 37 FLASHER LIGHT



5KS5700-0370

REF. NO.	PART NO.	DESCRIPTION	5KSF					REMARKS
28	2AE-83312-00	.LENS, FLASHER	1					
29	42X-83313-00	.GASKET, FLASHER LENS	1					
30	42X-83363-00	.LENS, RIM	1					
31	57M-83358-00	.SCREW, SPECIAL	2					
32	95024-06030	BOLT, FLANGE	2					
33	95704-06500	NUT, FLANGE	2					
34	4NK-83321-00	DAMPER, FLASHER 1	2					
35	4NK-83345-00	PLUG, BLIND	1					
36	5KS-2317W-10	STAY, 9	1					
37	95024-06012	BOLT, FLANGE	3					
38	90201-06043	WASHER, PLATE	1					
39	5KS-84703-10	BRACKET	1					
40	5KS-84751-10	BRACKET, LICENSE	1					
41	95027-06010	BOLT, FLANGE	4					
42	3Y6-85130-02	REAR REFLECTOR ASSY	1					
43	95707-05500	NUT, FLANGE	1					
44	90446-07114	HOSE	1					
45	5A8-21639-00	DAMPER 2	1					
46	4YU-8454F-00	APRON, NUMBER PLATE	1					

FIG. 38 METER



5EL1351-9380

REF. NO.	PART NO.	DESCRIPTION	5KSF				REMARKS
1	5KS-83500-12	SPEEDOMETER ASSY	1				
2	4NK-83579-00	.COVER, METER 2	1				
3	5EL-83519-00	.BRACKET, METER	1				
4	4NK-83523-00	.DAMPER	3				
5	2GV-83517-00	.BULB (12V-1.7W, T6.5)	5				
6	4NK-83517-00	.BULB (12V-1.4W, T6.5)	2				
7	5EL-8357E-00	.CLAMP	1				
8	98507-04010	.SCREW, PAN HEAD	3				
9	92907-04100	.WASHER, SPRING	3				
10	97707-40012	.SCREW, TAPPING	1				
11	5EL-83509-00	.SOCKET CORD ASSY	1				
12	4NK-8358J-00	SWITCH, METER CONTROL	1				
13	98507-05012	SCREW, PAN HEAD	2				
14	92907-05600	WASHER, PLATE	2				
15	5EL-28346-00	MOLE 2	1				
16	1FK-2171H-00	GUIDE	8				
17	90201-05036	WASHER, PLATE	3				
18	95307-05600	NUT	3				

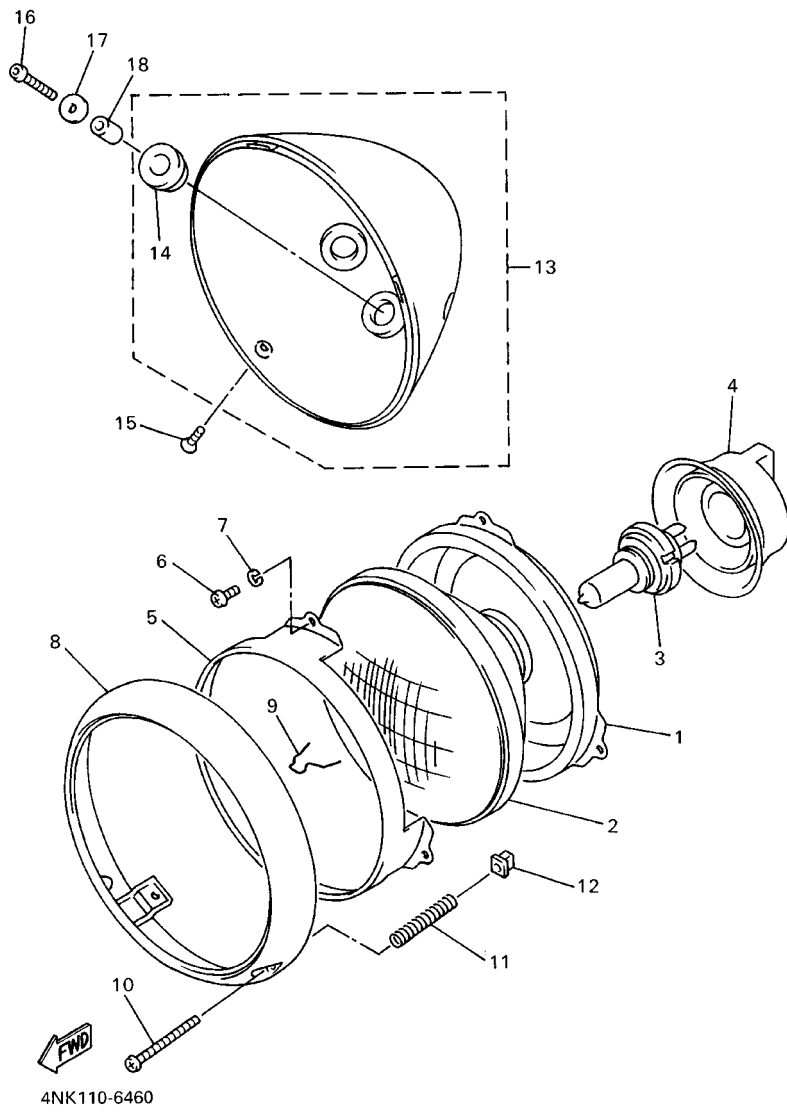
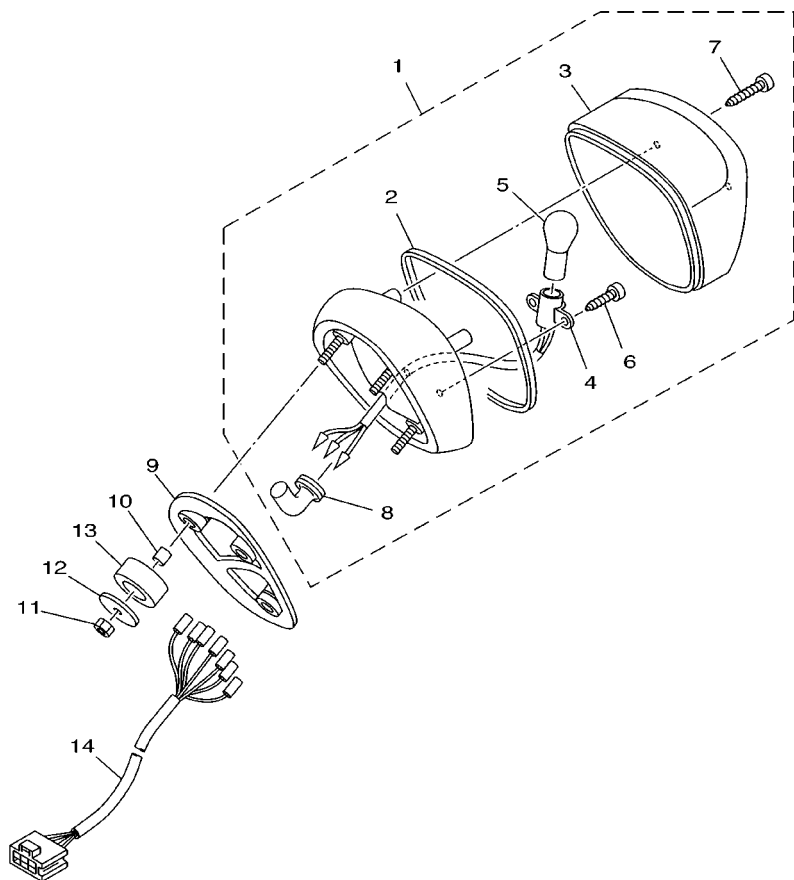


FIG. 39 HEADLIGHT

REF. NO.	PART NO.	DESCRIPTION	5KSF				REMARKS
1	4NK-84394-00	RING, MOUNTING	1				
2	4NK-84320-00	LENS ASSY	1				
3	2F9-84314-00	BULB (12V-60/55W)	1				(H4)HALOGEN
4	3SX-84397-00	COVER, SOCKET	1				
5	2F9-84395-00	RING, RETAINING	1				
6	98502-04008	SCREW, PAN HEAD	3				
7	92902-04100	WASHER, SPRING	3				
8	4NK-84315-00	RIM, HEADLIGHT	1				
9	290-84124-21	SPRING, SET	1				
10	341-84331-60	SCREW, RIM ADJUSTING	2				
11	5G2-84332-60	SPRING, SCREW	2				
12	198-84334-60	NUT, ADJUSTING	2				
13	5KS-84330-00	BODY ASSY	1				
14	42X-84366-00	.DAMPER, HEADLIGHT 1	3				
15	98704-05012	SCREW, FLAT HEAD	2				
16	92017-06025	BOLT, BUTTON HEAD	3				
17	90201-060A3	WASHER, PLATE	3				
18	90387-0610J	COLLAR	3				

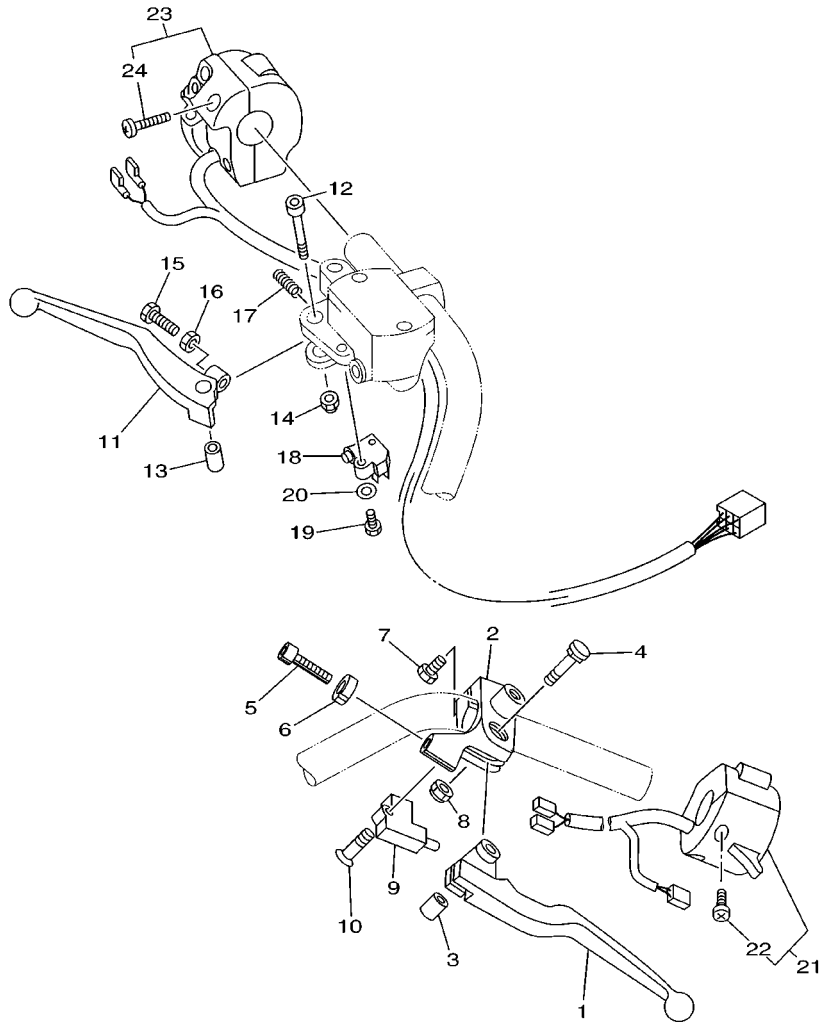
FIG. 40 TAILLIGHT



5BN4351-8370

REF. NO.	PART NO.	DESCRIPTION	5KSF					REMARKS
1	5BN-84700-11	TAILLIGHT ASSY	1					
2	4NK-84702-00	.GASKET, TAILLENS	1					
3	4YP-84721-00	.LENS, TAILLIGHT	1					
4	5BN-84735-00	.CORD ASSY	1					
5	31L-84714-00	.BULB, TAILLIGHT (12V-21/5W)	1					
6	97707-40516	.SCREW, TAPPING	2					
7	97780-40525	.SCREW, TAPPING	3					
8	5BN-84154-00	.GROMMET	1					
9	4NK-84527-01	DAMPER	1					
10	90387-07038	COLLAR	3					
11	95307-06600	NUT	3					
12	90201-065G8	WASHER, PLATE	3					
13	5BN-84553-00	DAMPER	3					
14	5KS-84717-00	CORD, TAILLIGHT	1					

FIG. 41 HANDLE SWITCH. LEVER

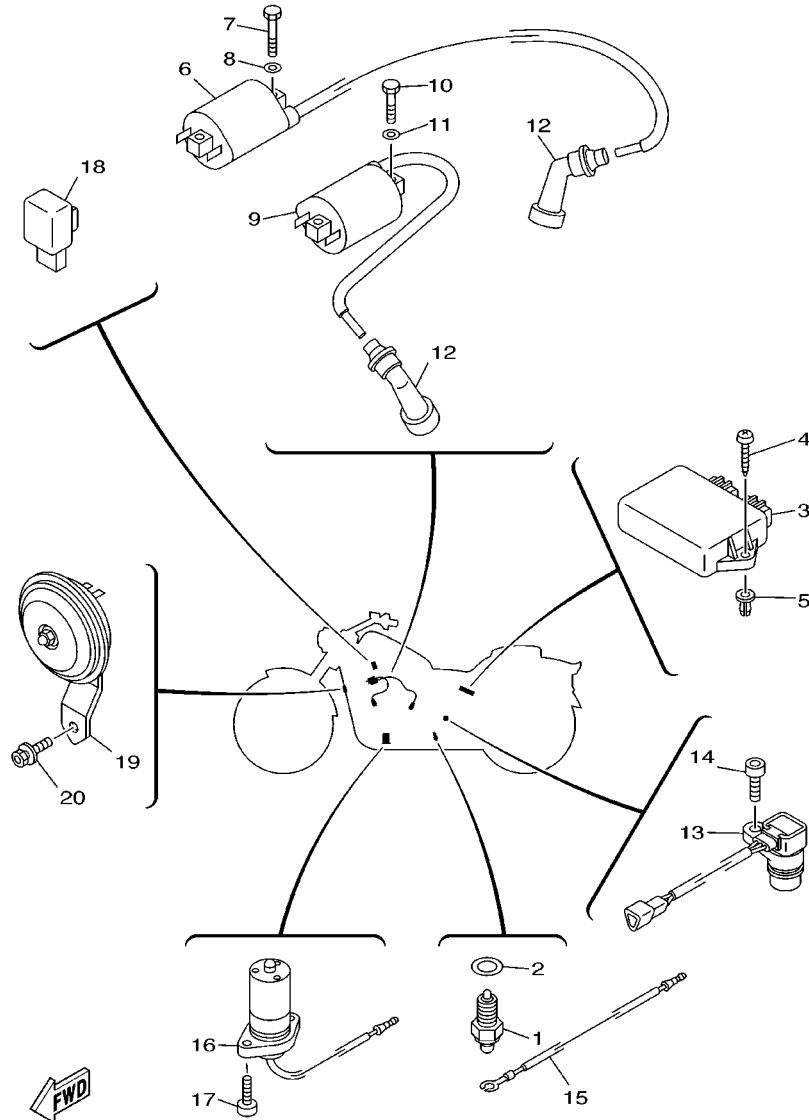


REF. NO.	PART NO.	DESCRIPTION	5KSF				REMARKS
1	5BN-83912-00	LEVER 1	1				
2	5BN-82911-00	HOLDER, LEVER 1	1				
3	4TR-83913-00	COLLAR, LEVER 1	1				
4	4TR-83945-00	BOLT, LEVER	1				
5	90123-08046	BOLT	1				
6	90179-08148	NUT	1				
7	97004-06020	BOLT	1				
8	95604-06100	NUT, U	1				
9	3YX-82917-00	SWITCH	1				
10	98707-03020	SCREW, FLAT HEAD	1				
11	5BN-83922-00	LEVER 2	1				
12	90110-06074	BOLT, HEXAGON SOCKET HEAD	1				
13	36Y-83913-01	COLLAR, LEVER 1	1				
14	95607-06100	NUT, U	1				
15	90149-06131	SCREW	1				
16	90170-06010	NUT	1				
17	90501-10312	SPRING, COMPRESSION	1				
18	36Y-83980-01	FRONT STOP SWITCH ASSY	1				
19	98507-04016	SCREW, PAN HEAD	1				
20	92907-04600	WASHER	1				
21	5EL-83972-10	SWITCH, HANDLE 4	1				
22	98580-05025	.SCREW, PAN HEAD	2				
23	5BN-83975-00	SWITCH, HANDLE 2	1				
24	98504-05025	.SCREW, PAN HEAD	2				



5KS5700-0410

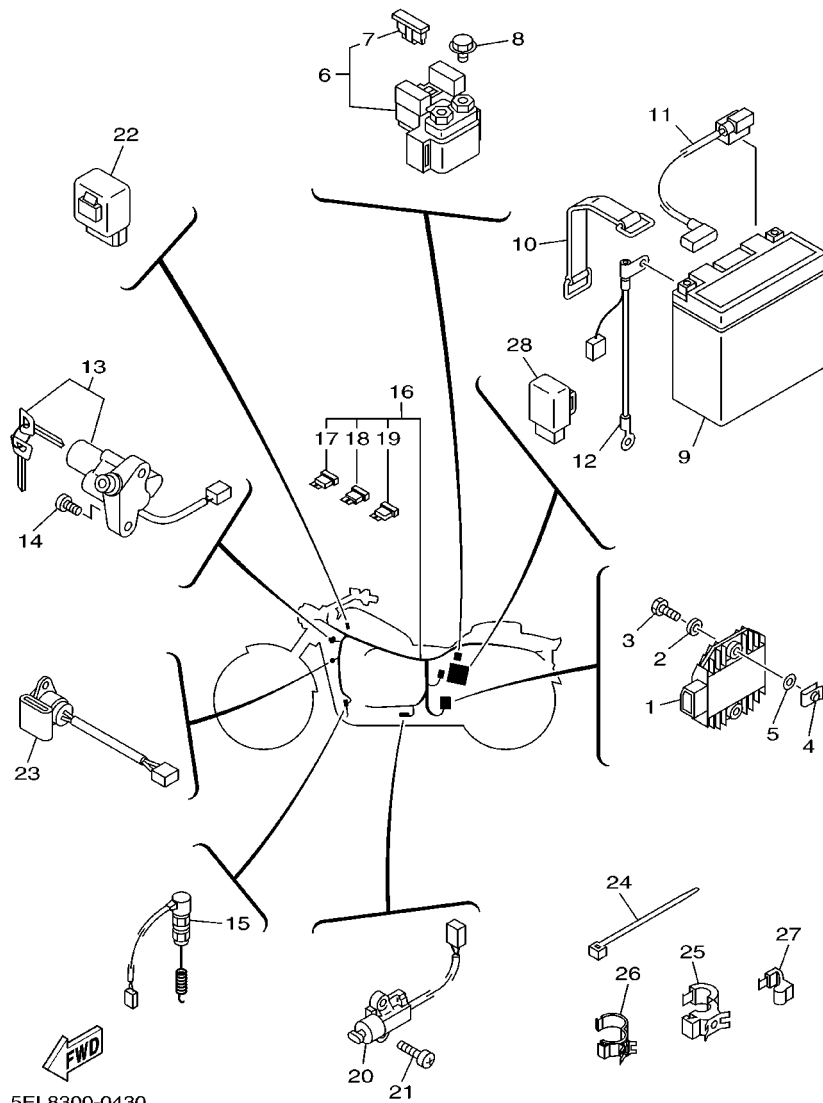
FIG. 42 ELECTRICAL 1



REF. NO.	PART NO.	DESCRIPTION	5KSF					REMARKS
1	4KM-82540-00	NEUTRAL SWITCH ASSY	1					
2	90430-10148	GASKET	1					
3	5EL-82305-00	IGNITOR UNIT ASSY	1					
4	97707-60016	SCREW, TAPPING	2					
5	90338-08226	PLUG	2					
6	5EL-82310-00	IGNITION COIL ASSY	1					
7	97007-05020	BOLT	2					
8	92907-05600	WASHER, PLATE	2					
9	5EL-82320-00	IGNITION COIL ASSY	1					
10	97007-05020	BOLT	2					
11	92907-05600	WASHER, PLATE	2					
12	5EL-82370-00	PLUG CAP ASSY	2					
13	5EL-83755-00	SENSOR, SPEED	1					
14	91317-06012	BOLT	1					
15	5EL-82509-00	WIRE, SUB LEAD	1					
16	5EL-85720-01	OIL LEVEL GAUGE ASSY	1					
17	91317-06016	BOLT	2					
18	3GM-83350-01	FLASHER RELAY ASSY	1					
19	55V-83371-00	HORN	1					
20	90105-082A5	BOLT, FLANGE	1					

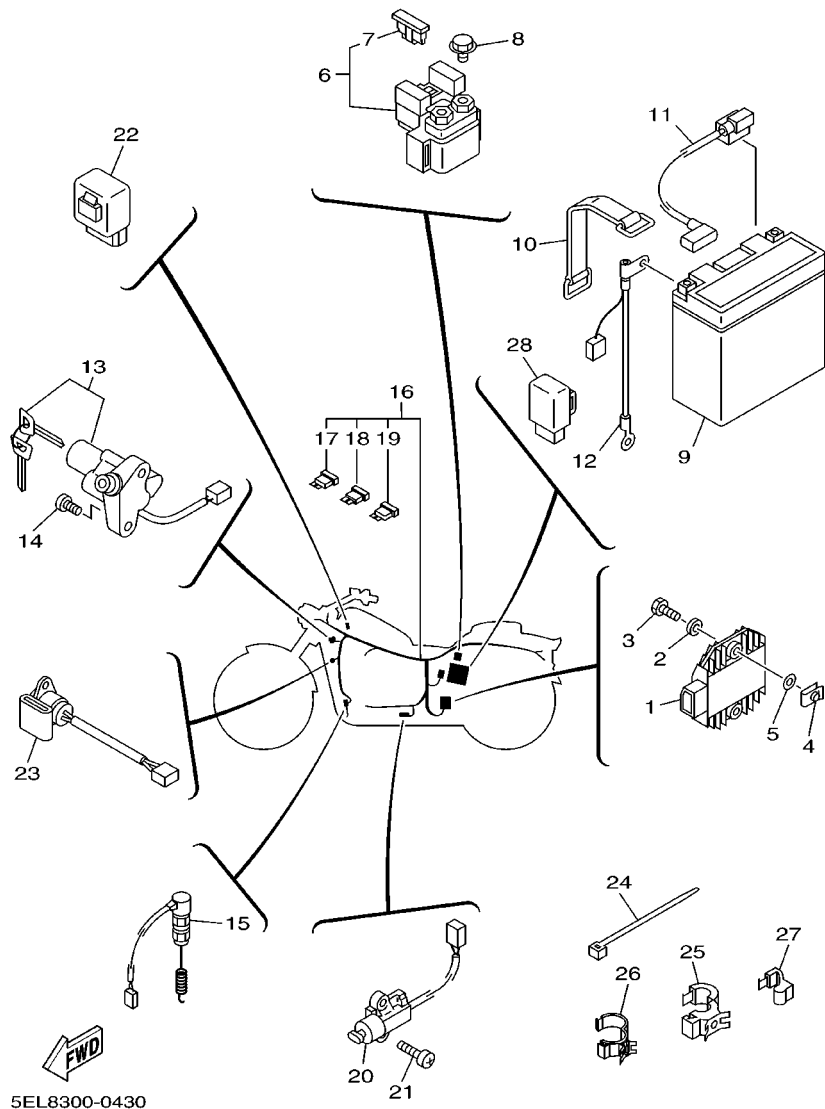
FWD
5EL1351-9420

FIG. 43 ELECTRICAL 2



REF. NO.	PART NO.	DESCRIPTION	5KSF				REMARKS
1	5BN-81960-00	RECTIFIER & REGULATOR ASSY	1				
2	90201-06727	WASHER, PLATE	2				
3	97007-06025	BOLT	2				
4	90183-06053	NUT, SPRING	2				
5	90202-05187	WASHER, PLATE	2				
6	4DN-81940-00	STARTER RELAY ASSY	1				
7	1AE-82151-00	.FUSE (30A-BL)	2				
8	95027-06008	BOLT, FLANGE	2				
9	5EA-82100-10	BATTERY ASSY (GT14B-4)	1				
10	118-82131-00	BAND, BATTERY	1				
11	5EL-82115-00	WIRE, PLUS LEAD	1				
12	5EL-82116-00	WIRE, MINUS LEAD	1				
13	4TR-82501-01	MAIN SWITCH STEERING LOCK	1				
14	90149-08002	SCREW	2				
15	5EL-82530-00	STOP SWITCH ASSY	1				
16	5EL-82590-11	WIRE HARNESS ASSY	1				
17	1NL-82151-00	.FUSE (5A-BL)	2				
18	36Y-82151-00	.FUSE (15A-BL)	3				
19	42X-82151-00	.FUSE (10A-BL)	3				
20	3LD-82566-40	SWITCH, SIDE STAND	1				
21	90157-05079	SCREW, PAN HEAD	2				
22	3EN-81950-00	RELAY ASSY	1				
23	5FU-82560-30	THERMO SWITCH ASSY	1				
24	1UA-82591-00	BAND	8				
25	90464-20191	CLAMP	1				
26	90464-25217	CLAMP	1				
27	90464-10190	CLAMP	1				

FIG. 43 ELECTRICAL 2



REF. NO.	PART NO.	DESCRIPTION	5KSF				REMARKS
28	4XV-8195A-00	RELAY ASSY	1				

NUMERICAL INDEX

PARTNO.	GRID NO.	PARTNO.	GRID NO.	PARTNO.	GRID NO.	PARTNO.	GRID NO.	PARTNO.	GRID NO.	PARTNO.	GRID NO.
2KR-W0041-00	E - 8	1TA-11610-00	B - 5	5EL-13542-00	B - 15	29N-14425-00	D - 4	5DM-14985-00	B - 12	4X7-17211-00	C - 9
5EL-W0042-50	E - 11	5EL-11631-10	B - 5	5EL-13544-01	B - 15	5EL-14431-00	B - 11	4YW-14987-00	B - 13	5EL-17221-00	C - 9
3XF-W0045-50	E - 6	4WM-11633-00	B - 5	16G-13569-00	B - 10	5EL-14432-00	B - 11	5EL-14987-00	B - 10	5EL-17231-00	C - 9
4EB-W0045-00	E - 4	5EL-11650-10	B - 5	5EL-13586-00	B - 10	5EL-14437-00	B - 10		B - 13	5EL-17241-00	C - 9
31A-W0047-00	E - 6	4X7-11654-01	B - 5	5EL-13596-00	B - 10	5EL-14451-00	B - 10	11H-14991-00	B - 13	5EL-17251-00	C - 9
4FU-W0047-00	E - 4	4X7-11656-00	B - 5	4TR-13907-00	D - 15	5EL-14452-00	B - 10	5EL-14991-00	B - 14	5EL-17402-00	C - 9
1J3-W0048-00	E - 6	4X7-11656-10	B - 5	5EL-1410A-00	B - 12	5EL-14452-00	B - 10	5KS-15100-00	C - 3	5EL-17411-00	C - 9
51L-W0048-00	E - 4	4X7-11656-20	B - 5	5EL-14103-00	B - 14	5EL-14453-00	B - 11	2H7-15361-00	C - 4	4X7-17524-00	C - 10
31A-W0057-00	E - 6	4X7-11656-30	B - 5	4X7-14105-00	B - 12	5EL-14454-00	B - 11	3F9-15362-00	C - 4	5EL-17526-01	C - 10
5KS-W0057-00	E - 4	4X7-11656-40	B - 5	5EL-14107-12	B - 12	5EL-14455-00	B - 11	4X7-15388-00	C - 4	31A-17527-00	C - 10
4VR-W2341-20	D - 11	5G5-11656-00	B - 5	5EL-14112-00	B - 12	5EL-14462-00	B - 11	5EL-15411-00	C - 4	3H5-17529-00	C - 10
5EL-Y1757-00	C - 10	5G5-11656-10	B - 5	22F-14117-00	B - 14	5EL-14463-00	B - 11	5EL-15417-00	C - 4	4X7-17531-00-15	C - 10
5KS-Y2151-A0-5X	D - 2	5G5-11656-20	B - 5	3F7-14133-00	B - 14	41R-14489-00	B - 15	5EL-15421-00	C - 4	4X7-17531-00-30	C - 10
5KS-Y2151-B0-4B	D - 2	2J2-12111-01	B - 6	812-14137-00	B - 14	5EL-14499-00	B - 11	5EL-15423-00	C - 5	4X7-17531-00-50	C - 10
5KS-Y2151-90-33	D - 2	4X7-12116-00	B - 6	35H-14139-00	B - 14	5DM-14561-00	B - 12	5EL-15451-00	C - 4	1J7-17537-Y0-30	D - 9
5KS-Y2161-A1-5X	D - 2	4X7-12117-00	B - 6	5DM-14141-40	B - 13	5EL-14561-00	B - 13	5EL-15462-00	C - 4	1J7-17537-Y0-40	D - 9
5KS-Y2161-B1-4B	D - 2	4X7-12118-00	B - 6	4KM-14142-17	B - 12	583-14561-00	B - 12	5EL-15484-00	C - 4	1J7-17537-Y0-50	D - 9
5KS-Y2161-91-33	D - 2	341-12119-02	B - 6	354-14147-00	B - 12	1FN-14565-00	B - 13	5EL-15485-00	B - 8	4X7-17551-00	C - 10
5EL-Y2410-T0-07	D - 14	5A8-12121-00	B - 6	5EL-14148-00	B - 10	4WM-14565-00	B - 13	4X7-15491-00	C - 3	4X7-17554-00	C - 10
5EL-Y2410-T0-08	D - 14	42X-12151-00	B - 6	5EL-14149-00	B - 14	5EL-14577-00	B - 13	5EL-15512-00	C - 6	5EL-17556-00	C - 10
5EL-Y2410-T0-09	D - 14	4X7-12156-01	B - 6	3LN-1416A-00	B - 13	5EL-14592-00	B - 13	5EL-15515-00	C - 6	5EL-17558-00	C - 10
5KS-11101-00	B - 2	4X7-12159-00	B - 6	127-14186-00	B - 12	5EL-14610-10	B - 15	5EL-15517-11	C - 6	5EL-17582-00	C - 9
4X7-1111F-00	B - 3	5EL-12171-00	B - 7	12R-14191-00	B - 13	3EG-14613-00	B - 15	24W-15521-00	C - 6	5EL-17583-00	C - 9
5KS-1111H-00	B - 2	5EL-12176-00	B - 7	31H-14194-00	B - 13	4TR-14613-00	B - 15	5EL-15590-00	C - 6	56W-17590-00	D - 10
5EL-1112M-00	B - 3	5EL-12181-00	B - 7	4KM-14194-00	B - 12	5EL-14615-01	B - 15	4X7-16111-00	C - 7	5KS-18110-00	C - 13
4X7-11133-10	B - 2	5EL-12210-01	B - 7	5EL-14197-00	B - 14	5KS-14620-00	B - 15	4X7-16150-02	C - 7	4TR-18112-00	C - 13
5EL-11142-01	B - 4	4FM-12213-00	B - 7	127-14198-00	B - 14	5EL-14624-00	B - 15	2JN-16154-00	C - 7	22N-18113-00	C - 13
42X-11145-00	B - 7			5EL-14212-00	B - 14	5EL-14710-30	B - 15	22U-16321-00	C - 8	4NK-18113-00	C - 13
5EL-11152-00	B - 4	5EL-12214-00	B - 7	3DM-14216-00	B - 14	4NK-14714-00	B - 15	4X7-16324-00	C - 7	4DN-18115-20	C - 13
42X-11165-00	B - 2	5KS-12215-00	B - 4	4KM-14216-00	B - 13	42H-14714-10	C - 2	1TA-16325-00	C - 8	5EL-18120-00	C - 13
5EL-11166-00	B - 11	5EL-12228-00	B - 7	3G2-1423A-59	B - 12	3XW-14755-00	B - 15	1TA-16334-00	C - 8	5EL-18140-00	C - 13
5EL-11181-00	B - 2	5EL-12231-00	B - 7	3G2-1423A-73	B - 12	5EL-14803-10	B - 15	1TA-16335-00	C - 8	2H9-18154-00	C - 13
5KS-11185-00	B - 2	3YL-12232-00	D - 4	1HX-1423E-25	B - 12	5EL-14806-00	B - 15	5EL-16340-00	C - 7	5EL-18185-00	C - 12
42H-11186-01	B - 2	5EL-12241-00	B - 7	1HX-14231-29	B - 12	5EL-14871-00	B - 15	2H7-16341-00	C - 7	5EL-18511-00	C - 12
5EL-11186-00	B - 4	5EL-12247-00	B - 7	3G2-14231-22	B - 12	5EL-14872-00	B - 15	2H7-16343-00	C - 7	5EL-18512-00	C - 12
4X7-11187-01	B - 2	5EL-12682-00	B - 11	5EL-14251-00	B - 14	5EL-14881-00	C - 2	1TA-16351-01	C - 8	5EL-18513-00	C - 12
5EL-11187-00	B - 2	4X7-13171-00	B - 8	5EL-14261-00	B - 12	5EL-14882-00	B - 15	1TA-16352-00	C - 8	5EL-18531-00	C - 12
5EL-11190-00	B - 4	5EL-13300-01	B - 8	5EL-14283-00	B - 10	5EL-14884-00	B - 15	4X7-16356-00	C - 7	4X7-18536-00	C - 12
214-11198-01	B - 8	10L-13327-00	B - 8	4NK-14285-00	B - 13	5EL-1490H-00	B - 13	5EL-16357-00	C - 7	5EL-18540-00	C - 12
		4X7-13354-00	B - 5	5EL-14294-00	B - 10	5KS-1490J-00	B - 12	5EL-16371-00	C - 7	136-18542-00	C - 12
5KS-11311-00	B - 4	4X7-13355-00	B - 8	5EL-14348-00	B - 10	5KS-14900-01	B - 12	4X7-16383-01	C - 7	5KS-21110-10	C - 14
5EL-11351-00	B - 4	5EL-13405-00	B - 8	5EL-14349-00	B - 10	5KS-14901-01	B - 12	4X7-16384-00	C - 7	5EL-21150-00	C - 14
4X7-11363-01	B - 2	5EL-13406-00	B - 8	5EL-1440F-00	B - 11	5KS-14902-01	B - 12	4X7-16385-00	C - 7	4DN-21268-00	C - 14
5EL-11411-10	B - 5	4X7-13440-01	B - 9	5EL-14411-00	B - 10	5EL-14918-00	B - 12	2H7-16395-01	C - 7		D - 15
4X7-11534-00	B - 7	5EL-13447-00	B - 9	5EL-14413-00	C - 5	5EL-14919-00	B - 12	2H7-16396-00	C - 7	4R8-21308-00	C - 15
4X7-11536-00	B - 7	5EL-13448-00	B - 9	5EL-14414-00	B - 11	4KM-14933-00	B - 12	5EL-17121-00	C - 9	5EL-21314-00	C - 14
5EL-11540-01	B - 7	5EL-13474-00	B - 10	5EL-14417-00	B - 10	5EL-14935-00	B - 13	5EL-17141-00	C - 9	5EL-21316-00	C - 14
5EL-11550-01	B - 7	4G0-13490-01	B - 9	5EL-14421-10	B - 10	1A8-14953-00	B - 14	5EL-17151-00	C - 9	5EL-21317-00	C - 14

NUMERICAL INDEX

PARTNO.	GRID NO.	PARTNO.	GRID NO.	PARTNO.	GRID NO.	PARTNO.	GRID NO.	PARTNO.	GRID NO.	PARTNO.	GRID NO.
5EL-21318-00	C - 14	5EL-21741-00	D - 5	5BN-23163-00	D - 13	3AJ-24523-00	D - 14	5EL-25867-00	E - 11	5EL-27491-00	E - 11
5EL-21460-00	C - 15	5EL-21746-00	D - 6	5BN-23165-00	D - 13	3AJ-24534-00	D - 14	4TR-25870-01	E - 8	4WM-27496-00	E - 10
5BN-21565-00	D - 2	11H-21747-00	D - 4	5BN-2317J-00	D - 11	1FK-24560-10	D - 15	5KS-25872-00	E - 8	4WM-27497-00	E - 10
5KS-21570-80	D - 2	3BN-21747-00	C - 14	5BN-2317V-00	E - 13	1FK-24566-00	D - 15	5KS-25873-00	E - 8	5EL-28100-10	E - 2
5KS-21570-90	D - 2		C - 15	5KS-2317W-10	E - 14	5BN-24602-00	D - 14	3XV-25876-00	E - 11	5EL-28346-00	E - 15
5KS-21587-10	D - 2	4TR-2175H-00	D - 5	5EL-23170-00	D - 12	5KS-24710-00	E - 2	5KS-25885-00	E - 8	5EL-46101-00	D - 9
5KS-21588-10	D - 2	5EL-2177E-00	D - 5	5BN-23171-00	D - 12	5KS-24734-00	E - 2	5KS-25886-00	D - 11	1J7-46117-Y0-25	D - 9
5KS-2159A-00	D - 2	5EL-2177G-00	D - 4	4YR-23173-00	D - 12	1T4-24741-00	E - 2	5EL-25888-00	E - 11	1J7-46117-Y0-30	D - 9
5KS-2159B-00	D - 2	5EL-2177J-00	D - 4		D - 13	22W-24741-00	E - 2	4TR-2589H-00	E - 8	1J7-46117-Y0-40	D - 9
5KS-21597-00	D - 2	5EL-2178L-00	D - 5	5BN-23174-00	D - 11	5KS-2475H-00	E - 2	31A-25894-01	E - 11	1J7-46117-Y0-50	D - 9
5KS-21598-00	D - 2	3LS-21781-10	D - 6	278-23181-50	D - 12	5BN-2475J-00	E - 2	5EL-25895-00	E - 11	22U-46118-00-12	D - 9
30X-21621-00	D - 4	5KS-22110-01	D - 7		D - 13	5KS-2475N-00	E - 2	4TT-25914-00	E - 4	22U-46118-00-14	D - 9
5KS-21629-00	D - 3	4X7-22124-00	D - 7	43F-23188-10	D - 12	5KS-24750-00	E - 2	29L-25919-00	E - 6	22U-46118-00-16	D - 9
5A8-21639-00	E - 14	5EL-22129-00	D - 7		D - 13	5KS-25104-00	E - 3	4BP-25919-00	E - 4	22U-46118-00-18	D - 10
4WM-2164F-00	D - 3	5EL-22141-00	D - 7	5BN-23193-00	D - 12	5EL-25111-00	E - 3	3HE-25924-00	E - 6	22U-46118-00-20	D - 10
4WM-2164G-00	D - 3	4KM-2217A-00	D - 7	5KS-23340-00	D - 13	5EL-2514A-00	E - 4	3GM-25925-00	E - 6	2H7-46122-00	D - 9
5KS-2165A-80	D - 2	2KT-2217M-00	D - 7	5KS-23389-00	E - 7	5KS-2515A-00	E - 4	3YX-25929-00	E - 4	4H7-46123-01	D - 9
5KS-2165A-90	D - 2	4VR-22184-00	D - 7	5BN-23394-00	D - 13	5KS-2515A-20	E - 6	4TT-25937-00	E - 4	4H7-46125-00	D - 9
5KS-2165C-00	D - 2	5EL-22189-00	D - 7	1W1-23416-00	D - 11	5KS-25181-00	E - 3	5KS-26111-00	E - 7	1J7-46129-Y1	C - 10
5KS-2165D-00	D - 2	5KS-22210-01	D - 8	26H-23418-01	D - 11	5KS-25304-00	E - 5	4XY-26240-00	E - 7	4H7-46152-00	D - 9
5KS-21669-00	D - 2	5KS-23102-00	D - 12	1E6-23441-10-98	D - 8	5EL-25311-00	E - 5	4NK-26241-00	E - 7	5EL-46153-00	D - 9
5KS-21669-10	D - 2	5KS-23103-00	D - 12	4VR-23441-00	D - 11	5EL-25364-00	E - 5	5EL-26246-00	E - 7	5EL-46154-00	D - 10
5KS-21669-20	D - 3	5KS-23110-00	D - 12	4VR-23442-00	D - 11	16G-25366-01	E - 5	4NK-26280-00	E - 7	5EL-46171-00	D - 10
55K-21708-00	D - 4	3EN-23111-51	D - 12	3DM-23445-00	D - 11	4H7-25377-00	E - 5	4NK-26290-00	E - 7	4X7-46180-00	D - 10
5EL-2171A-00	D - 15		D - 13	3FV-23462-00	D - 11	5EL-25381-00	E - 5	5KS-26311-01	E - 7	5EL-46297-00	D - 10
5EL-2171E-00	C - 14	5EL-23118-00	D - 12	5EL-23469-00	E - 7	5V4-25398-00	E - 3	5KS-26312-01	E - 7	5EL-8135E-00	C - 10
1FK-2171H-00	E - 15		D - 13	5EL-2411F-00	D - 15		E - 5	5EL-26331-00	E - 7	5EL-81410-00	E - 12
1FK-2171L-00	D - 14	5BN-23121-00	D - 13	5EL-2412F-00	D - 15	16G-25412-00	E - 5	5KS-26335-00	E - 7	5EL-81450-10	E - 12
5EL-2171X-00	C - 15	4NK-23122-01	E - 13	5EL-2414G-00	D - 15	5KS-2580T-00	E - 4	1E6-26342-00	E - 7	5EL-81517-00	B - 13
5EL-2171Y-00	D - 4	5KS-23123-00	D - 13	5KS-2416B-00	D - 14	5KS-2580U-00	E - 4	5KS-27211-00	E - 9	5EL-81815-00	C - 6
5KS-21711-00-P2	D - 4	4FM-23125-40	D - 12	5KS-2416B-10	D - 14	5EL-2580W-00	E - 6	5EL-27216-00	E - 9	4XV-8182A-00	C - 6
5KS-21711-00-33	D - 4	5KS-23126-00	D - 12	5KS-2417B-00	D - 14	5EL-2581J-01	E - 11	4BP-27222-00	E - 9	3KM-81826-00	C - 6
5KS-21711-00-4B	D - 4	5BN-23131-00	D - 13	5KS-2417B-10	D - 14	4BH-25815-00	E - 8	4NK-27242-00	E - 9	5A8-81840-10	C - 6
3XV-21717-00	D - 14	5KS-23133-00	D - 13	2YK-24181-10	D - 14	5EL-25819-01	E - 6	5EL-27262-00	E - 9	11H-81844-00	C - 6
5EL-2172A-00	D - 4	5KS-23136-00	D - 12	5EL-24182-00	D - 14	3LD-2582A-00	E - 11	4NK-27285-00	E - 9	4G0-81844-00	C - 6
5KS-2172A-00	D - 5	5KS-23141-00	D - 12	4TR-24183-00	D - 14	3JB-2582U-01	E - 4	4XU-27311-13	E - 9	1J7-81847-60	C - 6
5EL-2172F-00	D - 4		D - 13	5EL-24188-00	D - 14	5KS-2582W-00	E - 6	5EL-27315-00	E - 9	5EL-81890-00	C - 6
5EL-2172G-00	D - 4	4EB-23144-00	D - 12		D - 15	5EL-2583V-00	E - 11	5EL-27321-00	E - 9	4DN-81940-00	F - 6
5EL-2172K-00	D - 5		D - 13	5KS-24240-A0	D - 14	51J-25836-00	E - 6	5EL-27322-01	E - 9	4XV-8195A-00	F - 7
5EL-2172L-00	D - 5	4EB-23145-00	D - 12	5KS-24240-80	D - 14	5EL-25844-00	E - 11	5KS-27410-00	E - 9	3EN-81950-00	F - 6
5EL-2172M-00	D - 5		D - 13	5KS-24240-90	D - 14	2KF-25852-50	E - 11	4XY-27413-00	E - 10	5BN-81960-00	F - 6
5KS-21721-00-P2	D - 4	36Y-23146-10	D - 12	5EL-24311-00	D - 14	4TR-25852-01	E - 8	5KS-27420-00	E - 10	5EA-82100-10	F - 6
5KS-21721-00-33	D - 4	4DW-23149-40	D - 12	5EL-24313-00	D - 15	360-25854-01	E - 11	4XY-27423-00	E - 10	4DH-82103-00	B - 14
5KS-21721-00-4B	D - 4		D - 13	4EB-24398-00	D - 15	4BH-25854-02	E - 8	4NK-27426-00	E - 10	5EL-82115-00	F - 6
5EL-21731-00	D - 5	26H-23156-00	D - 12	5EL-24411-00	B - 12	2GU-25855-00	E - 11	4NK-27427-00	E - 10	5EL-82116-00	F - 6
3SP-21732-00	C - 15		D - 13	4SV-24453-00	B - 13	4L0-25862-01	E - 8	5EL-27430-00	E - 10	5Y1-82122-00	D - 4
	D - 2	509-23158-L0	D - 12	4WM-24500-00	D - 14	2VN-25866-00	E - 11	4WM-27433-00	E - 10	118-82131-00	F - 6
4NK-21735-00	D - 2		D - 13	4X8-24512-00	D - 14	4TR-25867-00	E - 8	5EL-27440-00	E - 10	3TJ-82131-00	D - 5

NUMERICAL INDEX

PARTNO.	GRID NO.	PARTNO.	GRID NO.	PARTNO.	GRID NO.	PARTNO.	GRID NO.	PARTNO.	GRID NO.	PARTNO.	GRID NO.
1AE-82151-00	F - 6	4NK-83579-00	E - 15	90105-10003	C - 14	90170-22187	D - 4	90201-165H4	B - 5	90387-127W0	D - 7
1NL-82151-00	F - 6	4NK-8358J-00	E - 15	90105-10004	C - 14	90176-10075	B - 2	90201-20276	C - 9	90387-172A5	D - 10
36Y-82151-00	F - 6	5EL-83755-00	F - 5	90105-10009	C - 14			90201-210U0	E - 10	90387-173M5	E - 3
42X-82151-00	F - 6	5FU-83790-20	B - 14	90105-10010	E - 6	90176-12052	E - 7	90201-220T0	D - 11		E - 5
5EL-82305-00	F - 5	5BN-83912-00	F - 4	90105-10012	E - 9	90176-22081	D - 11	90201-243U9	D - 7	90387-173R6	E - 3
5EL-82310-00	F - 5	36Y-83913-01	F - 4	90105-10013	C - 14	90179-08148	F - 4	90201-255A6	C - 10	90387-177Y4	E - 5
5EL-82320-00	F - 5	4TR-83913-00	F - 4	90105-101A9	D - 7	90179-09379	B - 5	90201-266L1	D - 10	90387-251E1	C - 11
5EL-82370-00	F - 5	5BN-83922-00	F - 4	90105-102A3	E - 10	90179-10377	C - 14	90201-72008	C - 6	90401-10102	B - 8
4TR-82501-01	F - 6	4TR-83945-00	F - 4	90105-10299	C - 14	90179-12325	B - 2	90202-05180	D - 15	90401-10159	E - 11
5EL-82509-00	F - 5	5EL-83972-10	F - 4	90105-10444	C - 14	90179-12326	B - 2	90202-05187	F - 6		E - 8
5EL-82530-00	F - 6	5BN-83975-00	F - 4	90105-10638	E - 4	90179-12657	C - 14	90202-05191	B - 15	90401-16001	B - 8
4KM-82540-00	F - 5	36Y-83980-01	F - 4			90179-14317	C - 11	90202-05193	D - 14	90401-16002	B - 3
5FU-82560-30	F - 6	290-84124-21	F - 2	90105-10727	D - 7	90179-16448	B - 5	90202-24190	D - 11	90413-07007	B - 10
3LD-82566-40	F - 6	5BN-84154-00	F - 3	90105-10781	C - 14	90179-25033	D - 11	90202-26142	D - 11	90430-06014	C - 3
5EL-82590-11	F - 6	2F9-84314-00	F - 2	90109-06667	B - 9	90179-44328	C - 10	90206-12074	C - 13	90430-10148	F - 5
1UA-82591-00	E - 11	4NK-84315-00	F - 2	90109-08006	E - 4	90179-88336	C - 10	90207-06380	E - 2	90430-15169	B - 8
	E - 9	4NK-84320-00	F - 2	90109-083G4	E - 6	90183-05061	D - 15	90209-06205	B - 7	90430-17168	B - 3
	F - 6	5KS-84330-00	F - 2	90109-10554	D - 8	90183-06053	D - 4	90209-21332	C - 9		B - 8
	F - 4	341-84331-60	F - 2	90110-05201	D - 15			90209-28331	C - 9	90445-16641	E - 9
3YX-82917-00	F - 4	5G2-84332-60	F - 2	90110-06003	C - 4			90214-20022	C - 7	90446-07114	E - 14
2EN-83310-00	E - 13	198-84334-60	F - 2	90110-06006	C - 5	90185-08097	B - 15	90215-20170	C - 8	90450-63096	B - 11
2AE-83311-00	E - 13	42X-84366-00	F - 2	90110-06074	F - 4	90185-14070	D - 9	90215-20182	C - 7	90450-72095	B - 11
2AE-83312-00	E - 13	4NK-84394-00	F - 2	90110-06254	D - 5	90201-05036	E - 15	90240-08124	E - 9	90461-06087	B - 14
	E - 14	2F9-84395-00	F - 2	90110-10182	C - 14	90201-060A3	F - 2	90267-40180	D - 5	90461-10127	E - 11
42X-83312-00	E - 13	3SX-84397-00	F - 2	90116-08360	D - 9	90201-060S9	D - 14	90269-07077	D - 3	90462-10003	C - 5
42X-83313-00	E - 13	4NK-84527-01	F - 3	90116-10344	B - 2	90201-06043	E - 14		D - 4	90462-10247	C - 5
	E - 14	4YU-8454F-00	E - 14	90116-10593	D - 9	90201-06057	B - 4	90280-05048	B - 5	90464-06214	E - 7
2EN-83320-00	E - 13	5BN-84553-00	F - 3	90116-12469	B - 2	90201-06062	D - 5	90282-07042	C - 7	90464-07003	E - 7
4NK-83321-00	E - 13	5BN-84700-11	F - 3	90119-06060	D - 4	90201-065G8	F - 3	90338-08163	D - 11	90464-10190	F - 6
	E - 14	4NK-84702-00	F - 3	90119-06096	D - 4	90201-06727	F - 6	90338-08174	B - 11	90464-12089	D - 5
2EN-83330-00	E - 13	5KS-84703-10	E - 14		D - 5	90201-08016	B - 14	90338-08226	F - 5	90464-15192	E - 7
2EN-83340-00	E - 13	31L-84714-00	F - 3	90119-06236	C - 15	90201-08083	E - 9	90340-14132	B - 8	90464-16021	D - 3
4NK-83345-00	E - 13	5KS-84717-00	F - 3	90123-08046	F - 4	90201-101A4	B - 2		D - 10	90464-18246	E - 7
	E - 14	4YP-84721-00	F - 3	90149-06011	D - 14	90201-101J1	D - 7	90340-14135	D - 10	90464-20191	F - 6
3GM-83350-01	F - 5	5BN-84735-00	F - 3	90149-06131	F - 4	90201-10118	E - 11	90340-14153	C - 4	90464-25217	F - 6
57M-83358-00	E - 14	5KS-84751-10	E - 14	90149-06298	B - 4			90340-32140	C - 4	90465-10264	B - 2
	E - 14	3Y6-85130-02	E - 14	90149-06302	D - 5	90201-10140	E - 6	90380-25125	B - 7	90467-08092	B - 15
42X-83363-00	E - 13	5EL-85720-01	F - 5	90149-08002	F - 6	90201-10591	B - 7	90387-06043	B - 4	90467-10039	B - 10
	E - 14	5EL-85885-00	B - 13	90151-06038	C - 15	90201-112U0	D - 7	90387-0610J	F - 2	90467-10135	B - 10
55V-83371-00	F - 5	90101-10303	B - 7	90151-06041	C - 12	90201-12166	C - 13	90387-064E8	C - 3	90467-11028	D - 15
5KS-83500-12	E - 15	90101-10659	D - 7	90152-05008	E - 10	90201-12588	C - 13	90387-065J6	B - 11	90467-11106	B - 10
5EL-83509-00	E - 15	90101-12673	D - 7	90157-05079	F - 6	90201-126A7	D - 7	90387-066Y6	D - 5	90467-11175	B - 10
2GV-83517-00	E - 15	90105-06154	B - 7	90170-06010	F - 4	90201-12688	C - 13	90387-07038	F - 3	90467-12053	D - 15
4NK-83517-00	E - 15		B - 8	90170-06228	C - 13	90201-14220	D - 11	90387-087A5	B - 4	90467-14015	B - 11
5EL-83519-00	E - 15	90105-08010	C - 11	90170-08173	B - 6	90201-14632	D - 9	90387-100T8	D - 7	90467-14057	E - 11
4NK-83523-00	E - 15	90105-082A5	E - 10	90170-10219	E - 5	90201-14633	C - 10	90387-1003G	E - 9	90468-05113	B - 8
1FK-83526-00	D - 5		F - 5	90170-20257	C - 8	90201-151A7	C - 7	90387-124F4	C - 13	90468-08104	B - 15
5EL-8357E-00	E - 15	90105-100A4	C - 14	90170-20274	C - 7	90201-160T2	E - 5	90387-126T1	D - 7	90468-15139	E - 7

NUMERICAL INDEX

PARTNO.	GRID NO.	PARTNO.	GRID NO.	PARTNO.	GRID NO.	PARTNO.	GRID NO.	PARTNO.	GRID NO.	PARTNO.	GRID NO.
90480-01558	D - 4	91314-08025	D - 11	92907-04600	F - 4	93306-20901	C - 10	94701-00218	B - 3	95827-10025	D - 10
	D - 5	91314-08030	D - 11	92907-05600	D - 15	93306-30317	E - 3	94701-00220	B - 3	97004-06020	E - 9
90480-10289	D - 5	91314-08035	B - 15		E - 15		E - 5	95024-06010	D - 11		F - 4
90480-10627	B - 4	91314-08040	D - 13		F - 5	93306-30424	C - 9	95024-06012	E - 14	97007-05020	F - 5
90480-12314	B - 11	91314-08050	B - 2	92907-06100	E - 2	93306-30525	C - 9	95024-06030	E - 13	97007-06012	E - 2
90480-12320	D - 5	91317-05012	E - 12	92907-06600	B - 11	93306-30533	D - 9		E - 14	97007-06025	F - 6
90480-12550	D - 4	91317-06010	B - 8	92907-08200	C - 7	93306-30808	B - 5	95027-06008	F - 6	97017-08020	B - 3
90480-13018	B - 4	91317-06012	C - 4	92907-08600	B - 2	93306-90602	C - 12	95027-06010	E - 11	97024-06020	C - 13
90480-13398	B - 11		F - 5	92907-08700	D - 10	93306-91201	C - 9		E - 14	97027-06025	C - 8
90480-15061	D - 3	91317-06016	C - 6	92990-10600	D - 10	93310-5720G	C - 6	95027-06016	E - 11	97707-40012	E - 15
90480-24186	D - 4		F - 5	93101-14102	C - 4	93311-21044	D - 10	95027-08035	E - 11	97707-40516	F - 3
90501-10312	F - 4	91317-06020	B - 10	93101-30084	D - 9	93311-43729	D - 9	95302-05700	B - 13	97707-50014	D - 4
90501-16491	D - 10		B - 11	93101-35099	C - 10	93311-44051	C - 10	95304-06700	C - 13	97707-50116	B - 10
90501-21133	B - 7		D - 6	93101-38098	D - 9	93316-01201	C - 9	95307-05600	E - 15	97707-50125	B - 11
90501-44455	B - 6	91317-06030	C - 3	93102-12106	C - 4	93316-01403	D - 9	95307-06600	F - 3	97707-60016	D - 5
90501-70762	C - 10		E - 12	93102-25044	E - 5	93317-21236	C - 4	95307-08700	C - 7		F - 5
90506-08227	C - 13	91317-06040	B - 8	93102-28022	E - 3	93317-22021	C - 10		E - 9	97780-40525	F - 3
90506-10069	C - 7	91317-06055	C - 3	93102-70167	D - 10	93317-31771	D - 7	95317-08600	D - 10	97801-03008	D - 14
90506-23490	E - 9	91317-06080	C - 3	93104-14059	C - 7	93317-41510	D - 9	95382-06700	B - 14	98502-04008	F - 2
90506-29507	E - 9	91317-10020	C - 14	93104-20068	C - 9	93317-41761	D - 7	95604-06100	F - 4	98502-05016	B - 12
90508-186B1	E - 9	91317-10030	C - 14	93108-43014	D - 10	93317-42060	D - 7	95604-16200	E - 5	98504-05025	F - 4
90508-32012	C - 13	91317-10060	C - 3	93109-17071	D - 7	93320-32403	D - 7	95607-06100	F - 4	98507-04006	B - 14
90508-32535	C - 13	91317-10070	C - 3	93210-07135	B - 8	93340-21505	C - 7	95607-08200	D - 8	98507-04008	B - 13
91314-06016	B - 2	91317-10100	C - 3		B - 9	93399-99931	D - 11	95607-10200	C - 14	98507-04010	B - 13
	B - 7	91401-20012	E - 10		C - 3	93399-99932	D - 11		D - 7		B - 14
	C - 4		E - 9	93210-10096	B - 9	93410-22039	D - 10		D - 8		E - 15
91314-06020	B - 9	91492-10008	B - 14	93210-14359	C - 10	93410-26067	D - 10		E - 9	98507-04012	B - 12
91314-06025	B - 4	91701-06022	E - 9	93210-14369	C - 4	93440-14086	B - 2	95617-08625	B - 2	98507-04014	B - 13
	B - 7	91701-06032	E - 10	93210-15620	E - 11	93440-20088	D - 10	95617-10100	D - 7	98507-04016	F - 4
	D - 5	91817-30011	B - 2	93210-27370	C - 4	93440-31172	C - 9	95617-12100	D - 7	98507-05008	E - 7
	E - 8	92014-05012	B - 10	93210-32172	C - 4	93440-68180	C - 6	95627-08330	D - 8	98507-05012	D - 15
91314-06030	C - 3	92014-06020	C - 5	93210-44545	B - 10	93450-24028	B - 5	95704-06500	E - 13		E - 15
	C - 4	92014-08012	E - 2	93210-48364	C - 7	93604-12037	B - 7		E - 14	98580-05025	F - 4
91314-06035	B - 2	92014-08016	E - 11	93210-48530	E - 5	93604-16092	C - 12	95707-05500	E - 14	98704-05012	F - 2
	C - 4	92014-08025	D - 3	93210-52449	C - 10	93604-20156	C - 12	95707-06500	E - 2	98707-03020	F - 4
	C - 5	92014-08040	D - 11	93210-54452	B - 9	93605-10090	B - 7	95707-08500	D - 11	98707-05035	C - 12
91314-06040	B - 4	92017-06012	D - 14	93210-56459	B - 9	93606-07082	C - 7	95807-06010	D - 2	98904-06014	B - 15
	B - 9		D - 5	93210-57428	E - 5	93608-50158	C - 13		D - 5	99001-06600	E - 10
	C - 5	92017-06016	E - 2	93210-59531	E - 5	94113-1613E	E - 3	95807-06030	E - 8	99001-10600	C - 13
91314-06045	C - 4	92017-06025	F - 2	93210-60426	D - 9	94117-15009	E - 5	95807-08012	D - 15	99009-12400	C - 13
91314-06050	B - 9	92017-08020	B - 15	93210-62446	B - 2	94213-16305	E - 3	95814-06025	C - 6	99009-20400	C - 9
91314-06055	C - 4	92017-10020	B - 15	93210-71360	C - 10	94217-15299	E - 5	95817-06010	B - 11	99009-25400	C - 9
	C - 5	92902-04100	F - 2	93210-92448	B - 2	94313-16175	E - 3	95817-06020	B - 11	99246-00080	D - 2
91314-06060	C - 5	92902-05100	B - 13	93211-44348	D - 10	94317-15180	E - 5	95817-08014	C - 15	99247-00080	D - 2
91314-06065	C - 4	92902-06600	B - 14	93306-20348	E - 5	94430-16565	E - 3	95817-08020	D - 2	99530-08016	B - 8
91314-06100	B - 4	92906-06100	B - 14	93306-20401	C - 9	94445-15607	E - 5	95817-08035	C - 15	99530-10114	C - 4
91314-08016	E - 13	92907-04100	B - 13	93306-20548	C - 10	94580-25066	B - 8	95817-10016	C - 14	99530-10120	C - 5
91314-08020	D - 13		E - 15	93306-20550	C - 9	94591-49098	B - 7	95817-10045	E - 9	99530-14016	C - 3