



# **PARTS CATALOGUE**

**YFM350XR** (5NF8) U49,OCEANIA

**YFM350XRC** (5NF9) CALIFORNIA

**YFM350XR** (5NFA) CANADA

**YFM350XR** (5NFA) FRANCE

**YF350X** (5NF8) JAPAN

YFM350XR/YFM350XRC/YF350X  
PARTS CATALOGUE

E2002 by Yamaha Motor Co., Ltd.

1st Edition, May. 2002

All rights reserved.

Any reprinting or unauthorized use  
without the written permission of

Yamaha Motor Co., Ltd.

is expressly prohibited.

Printed in Japan

**A3**



A4

# FOREWORD

This Parts Catalogue is related to the parts for the model(s) in the below frame. When you are ordering replacement parts, please refer to this Parts Catalogue and quote both part numbers and part names correctly.

YFM350XR/YF350X(5NF8), YFM350XRC(5NF9),  
YFM350XR(5NFA)

1. Modifications or additions which have been made after issue of the Parts Catalogue will be announced in the Yamaha Parts News.  
It is advisable that you make necessary corrections to the Parts Catalogue according to the Yamaha Parts News.

2. Abbreviations

The Following abbreviations are used in this Parts Catalogue.

- “UR” Use specified parts number.
- “UN” Use as many as needed.
- “AP” Alternate Parts
- “LM” Local Made (Parts need to be ordered locally)
- “F#” Frame No. (Applicable machine No.)

3. Parts, which are to be supplied in an assembly, are listed with a dot(.) in front of the part name as shown below.

EXAMPLE

- CARBURETOR ASSY
- .JET, PILOT
- .NOZZLE, MAIN

4. Number of component for assembly

The numeral appearing to the right of each component part indicates the quantity of parts for each assembly unit.

EXAMPLE

| PART NO.     | DESCRIPTION              | Q'TY | REMARKS |
|--------------|--------------------------|------|---------|
| 2F5-83310-60 | FRONT FLASHER LIGHT ASSY | 2    |         |
| 115-83311-60 | .BULB (6V-18W)           | 1    |         |
| 1M1-83309-60 | .REFLECTOR               | 1    |         |

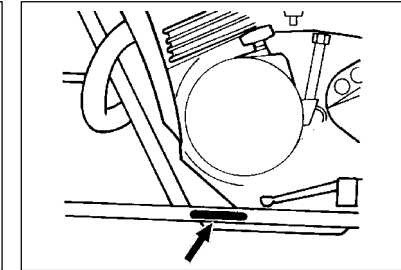
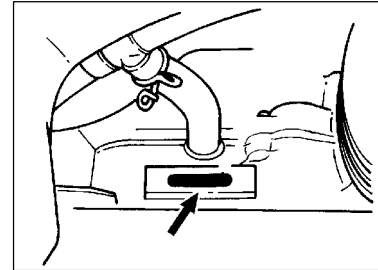
5. Applicable colors of graphics are represented in the “REMARKS” as shown below.

| PART NO.        | DESCRIPTION         | Q'TY | REMARKS |
|-----------------|---------------------|------|---------|
| 2N4-24110-00-X5 | FUEL TANK COMP.     | 1    | MXR     |
| 3J1-24240-10    | .GRAPHIC, FUEL TANK | 1    | FOR MXR |

6. Applicable Serial No.

Engine Serial No.

Frame Serial No.

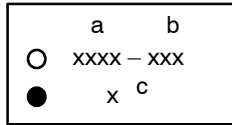


7. Note that the illustrations for reference in finding parts numbers, not to be used for assembling. When assembling, please use the applicable service manual.
8. The asterisk (\*) before a reference number indicates modification items after the first edition.

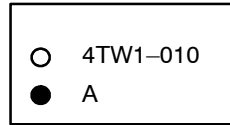
# MODEL LABEL

(1) A label called "Model Label" is affixed in the location as indicated in (3) below.  
 When using this parts catalogue, please be sure to cross-refer the "model code – production code No." in the catalogue to the "model code – production code No." indicated on the Model Label affixed onto the product concerned.

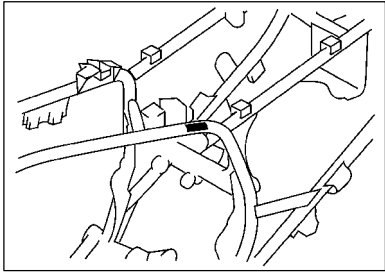
(2) "Model Label" Indication



a: Model Type Code  
 b: Production Code No.  
 c: Colouring Type



(3) Model Label Affixing Location



(4) Model Code – Production Code Number of Model Listed in This Parts Catalog

| Model Code | Production Code No. | Country (destination)    | Model Code | Production Code No. | Country (destination) |
|------------|---------------------|--------------------------|------------|---------------------|-----------------------|
| 5NF8       | 010                 | U49                      |            |                     |                       |
|            | 020                 | AUSTRALIA<br>NEW ZEALAND |            |                     |                       |
|            | 030                 | JAPAN                    |            |                     |                       |
| 5NF9       | 010                 | CALIFORNIA               |            |                     |                       |
| 5NFA       | 010                 | CANADA                   |            |                     |                       |
|            | 020                 | FRANCE                   |            |                     |                       |
|            |                     |                          |            |                     |                       |
|            |                     |                          |            |                     |                       |
|            |                     |                          |            |                     |                       |
|            |                     |                          |            |                     |                       |
|            |                     |                          |            |                     |                       |
|            |                     |                          |            |                     |                       |
|            |                     |                          |            |                     |                       |
|            |                     |                          |            |                     |                       |
|            |                     |                          |            |                     |                       |
|            |                     |                          |            |                     |                       |

(5) Colouring Information

| Model Code   | Colouring type code | Colour code | Colour Name                   | Abbreviation |
|--------------|---------------------|-------------|-------------------------------|--------------|
| 5NF8<br>5NF9 | A                   | 0583        | DEEP PURPLISH BLUE<br>SOLID E | DPBSE        |
| 5NFA         | B                   | 0033        | YAMAHA BLACK                  | YB           |

# CONTENTS

## ENGINE

|                          |     |
|--------------------------|-----|
| CYLINDER HEAD .....      | B2  |
| CYLINDER .....           | B4  |
| CRANKSHAFT. PISTON ..... | B5  |
| VALVE .....              | B7  |
| CAMSHAFT. CHAIN .....    | B8  |
| OIL PUMP .....           | B9  |
| INTAKE .....             | B10 |
| CARBURETOR .....         | B11 |
| EXHAUST .....            | B13 |
| CRANKCASE .....          | B14 |
| CRANKCASE COVER 1 .....  | B15 |
| STARTER CLUTCH .....     | C3  |
| CLUTCH .....             | C4  |
| TRANSMISSION .....       | C6  |
| SHIFT CAM. FORK .....    | C8  |

## CHASSIS

|                               |     |
|-------------------------------|-----|
| FRAME .....                   | C10 |
| FRONT FENDER .....            | C11 |
| REAR FENDER .....             | C12 |
| SIDE COVER .....              | C13 |
| REAR ARM .....                | C14 |
| REAR SUSPENSION .....         | D2  |
| STEERING .....                | D4  |
| FRONT SUSPENSION. WHEEL ..... | D6  |
| FUEL TANK .....               | D8  |
| SEAT .....                    | D9  |
| FRONT WHEEL .....             | D10 |
| FRONT BRAKE CALIPER .....     | D11 |

|                              |     |
|------------------------------|-----|
| REAR WHEEL .....             | D12 |
| REAR BRAKE .....             | D14 |
| STEERING HANDLE. CABLE ..... | D15 |
| FRONT MASTER CYLINDER .....  | E4  |
| STAND. FOOTREST .....        | E5  |
| REAR MASTER CYLINDER .....   | E6  |
| GUARD .....                  | E7  |
| GENERATOR .....              | E8  |
| STARTING MOTOR .....         | E9  |
| HEADLIGHT .....              | E10 |
| TAILLIGHT .....              | E11 |
| HANDLE SWITCH. LEVER .....   | E12 |
| ELECTRICAL 1 .....           | E14 |
| ELECTRICAL 2 .....           | F2  |
| EMBLEM.LABEL 1 .....         | F3  |
| EMBLEM.LABEL 2 .....         | F4  |
| EMBLEM.LABEL 3 .....         | F6  |
| EMBLEM.LABEL 4 .....         | F7  |
| EMBLEM.LABEL 5 .....         | F8  |

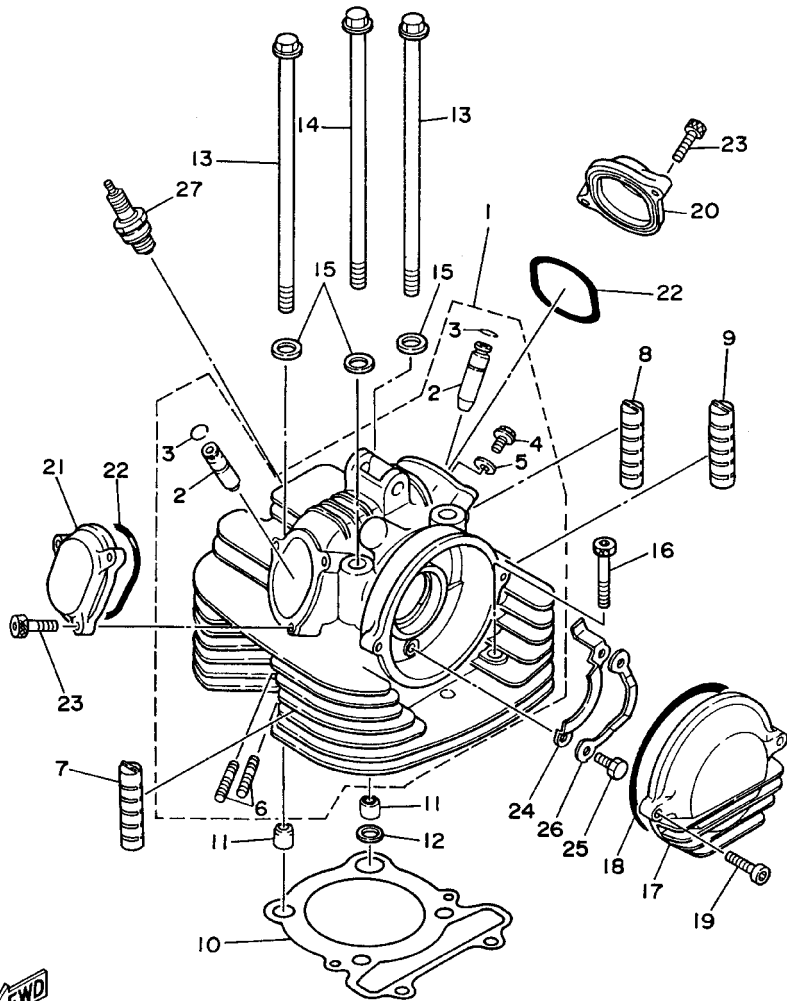
## ALTERNATE PARTS

|                          |    |
|--------------------------|----|
| ALTERNATE (ENGINE) ..... | F9 |
|--------------------------|----|

## INDEX

|                       |    |
|-----------------------|----|
| NUMERICAL INDEX ..... | M1 |
|-----------------------|----|

FIG. 1 CYLINDER HEAD



**FWD**  
3HP1100-9010

| REF. NO. | PART NO.     | DESCRIPTION                 | USA | CAN | FRA | OOE | JPN | REMARKS |
|----------|--------------|-----------------------------|-----|-----|-----|-----|-----|---------|
| 1        | 1UY-11110-02 | CYLINDER HEAD ASSY          | 1   | 1   | 1   | 1   | 1   |         |
| 2        | 3Y1-11133-11 | .GUIDE, INTAKE VALVE        | 2   | 2   | 2   | 2   | 2   |         |
| 3        | 93440-12052  | .CIRCLIP                    | 2   | 2   | 2   | 2   | 2   |         |
| 4        | 90401-06001  | .BOLT, UNION                | 1   | 1   | 1   | 1   | 1   |         |
| 5        | 90430-06192  | .GASKET                     | 1   | 1   | 1   | 1   | 1   |         |
| 6        | 90116-06503  | .BOLT, STUD                 | 2   | 2   | 2   | 2   | 2   |         |
| 7        | 3Y1-11127-00 | ABSORBER 3                  | 8   | 8   | 8   | 8   | 8   |         |
| 8        | 31G-11161-00 | ABSORBER 1                  | 2   | 2   | 2   | 2   | 2   |         |
| 9        | 31G-11127-00 | ABSORBER 3                  | 2   | 2   | 2   | 2   | 2   |         |
| 10       | 1UY-11181-01 | GASKET, CYLINDER HEAD 1     | 1   | 1   | 1   | 1   | 1   |         |
| 11       | 99530-14016  | PIN, DOWEL                  | 2   | 2   | 2   | 2   | 2   |         |
| 12       | 90430-14240  | GASKET                      | 1   | 1   | 1   | 1   | 1   |         |
| 13       | 90105-10421  | BOLT, FLANGE                | 2   | 2   | 2   | 2   | 2   |         |
| 14       | 90105-10422  | BOLT, FLANGE                | 2   | 2   | 2   | 2   | 2   |         |
| 15       | 90201-10128  | WASHER, PLATE               | 4   | 4   | 4   | 4   | 4   |         |
| 16       | 91317-08050  | BOLT                        | 2   | 2   | 2   | 2   | 2   |         |
| 17       | 3Y1-11185-00 | COVER, CYLINDER HEAD SIDE 1 | 1   | 1   | 1   | 1   | 1   |         |
| 18       | 93211-06635  | O-RING                      | 1   | 1   | 1   | 1   | 1   |         |
| 19       | 91317-06025  | BOLT                        | 2   | 2   | 2   | 2   | 2   |         |
| 20       | 2NL-11186-00 | COVER, CYLINDER HEAD SIDE 2 | 1   | 1   | 1   | 1   | 1   |         |
| 21       | 2NL-11187-00 | COVER, CYLINDER HEAD SIDE 3 | 1   | 1   | 1   | 1   | 1   |         |
| 22       | 93210-57634  | O-RING                      | 2   | 2   | 2   | 2   | 2   |         |
| 23       | 91317-06020  | BOLT                        | 5   | 5   | 5   | 5   | 5   |         |
| 24       | 3Y1-1111F-00 | PLATE                       | 1   | 1   | 1   | 1   | 1   |         |
| 25       | 97007-06012  | BOLT                        | 2   | 2   | 2   | 2   | 2   |         |
| 26       | 90215-06162  | WASHER, LOCK                | 1   | 1   | 1   | 1   | 1   |         |
| 27       | 94701-00333  | PLUG, SPARK (NGK DR8EA)     | 1   | 1   | 1   | 1   | 1   |         |







**FIG. 3 CRANKSHAFT. PISTON**

| REF. NO. | PART NO.        | DESCRIPTION                  | USA | CAN | FRA | OOE | JPN | REMARKS |
|----------|-----------------|------------------------------|-----|-----|-----|-----|-----|---------|
| 1        | 1UY-11400-00    | CRANKSHAFT ASSY              | 1   | 1   | 1   | 1   | 1   |         |
| 2        | 1UY-W1141-00    | .CRANK 1                     | 1   | 1   | 1   | 1   | 1   |         |
| 3        | 1UY-11422-00    | .CRANK 2                     | 1   | 1   | 1   | 1   | 1   |         |
| 4        | 90240-07105     | .PIN, CLEVIS                 | 1   | 1   | 1   | 1   | 1   |         |
| 5        | 90501-07629     | .SPRING, COMPRESSION         | 1   | 1   | 1   | 1   | 1   |         |
| 6        | 93602-13177     | .PIN, DOWEL                  | 1   | 1   | 1   | 1   | 1   |         |
| 7        | 30X-11681-00    | .PIN, CRANK 1                | 1   | 1   | 1   | 1   | 1   |         |
| 8        | 93310-633T5     | .BEARING                     | 1   | 1   | 1   | 1   | 1   |         |
| 9        | 1UY-11651-00    | .ROD, CONNECTING             | 1   | 1   | 1   | 1   | 1   |         |
| 10       | 90209-33253     | .WASHER                      | 2   | 2   | 2   | 2   | 2   |         |
| 11       | 93306-30622     | BEARING (6306SH4 SPECIAL)    | 1   | 1   | 1   | 1   | 1   |         |
| 12       | 30X-11496-00    | BOSS, BUFFER                 | 1   | 1   | 1   | 1   | 1   |         |
| 13       | 90501-22721     | SPRING, COMPRESSION          | 6   | 6   | 6   | 6   | 6   |         |
| 14       | 93605-10090     | PIN, DOWEL                   | 3   | 3   | 3   | 3   | 3   |         |
| 15       | 3Y1-11531-02    | GEAR, BALANCE WT             | 1   | 1   | 1   | 1   | 1   |         |
| 16       | 30X-11565-00    | WASHER, BEARING COVER        | 2   | 2   | 2   | 2   | 2   |         |
| 17       | 90101-10568     | BOLT                         | 1   | 1   | 1   | 1   | 1   |         |
| 18       | 92907-10100     | WASHER, SPRING               | 1   | 1   | 1   | 1   | 1   |         |
| 19       | 93210-16290     | O-RING                       | 1   | 1   | 1   | 1   | 1   |         |
| 20       | 90201-107F8     | WASHER, PLATE                | 1   | 1   | 1   | 1   | 1   |         |
| 21       | 90280-05048     | KEY, WOODRUFF                | 1   | 1   | 1   | 1   | 1   |         |
| 22       | 1UY-11631-01-Y0 | PISTON (STD)                 | 1   | 1   | 1   | 1   | 1   |         |
|          | 1UY-11636-01    | PISTON (0.50MM O/S)          | 1   | 1   | 1   | 1   | 1   | AP      |
|          | 1UY-11638-01    | PISTON (1.00MM O/S)          | 1   | 1   | 1   | 1   | 1   | AP      |
| 23       | 4GB-11610-00    | PISTON RING SET (STD)        | 1   | 1   | 1   | 1   | 1   |         |
|          | 4GB-11610-20    | PISTON RING SET (0.50MM O/S) | 1   | 1   | 1   | 1   | 1   | AP      |
|          | 4GB-11610-40    | PISTON RING SET (1.00MM O/S) | 1   | 1   | 1   | 1   | 1   | AP      |

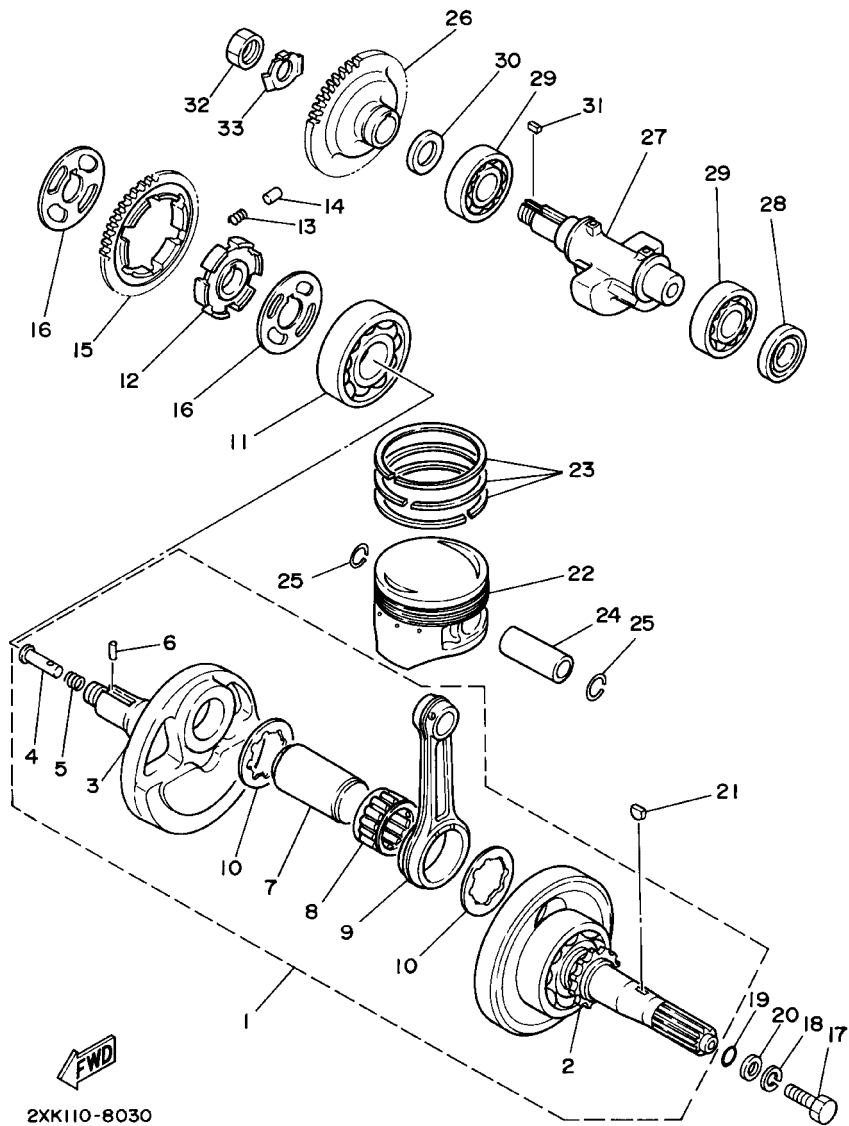
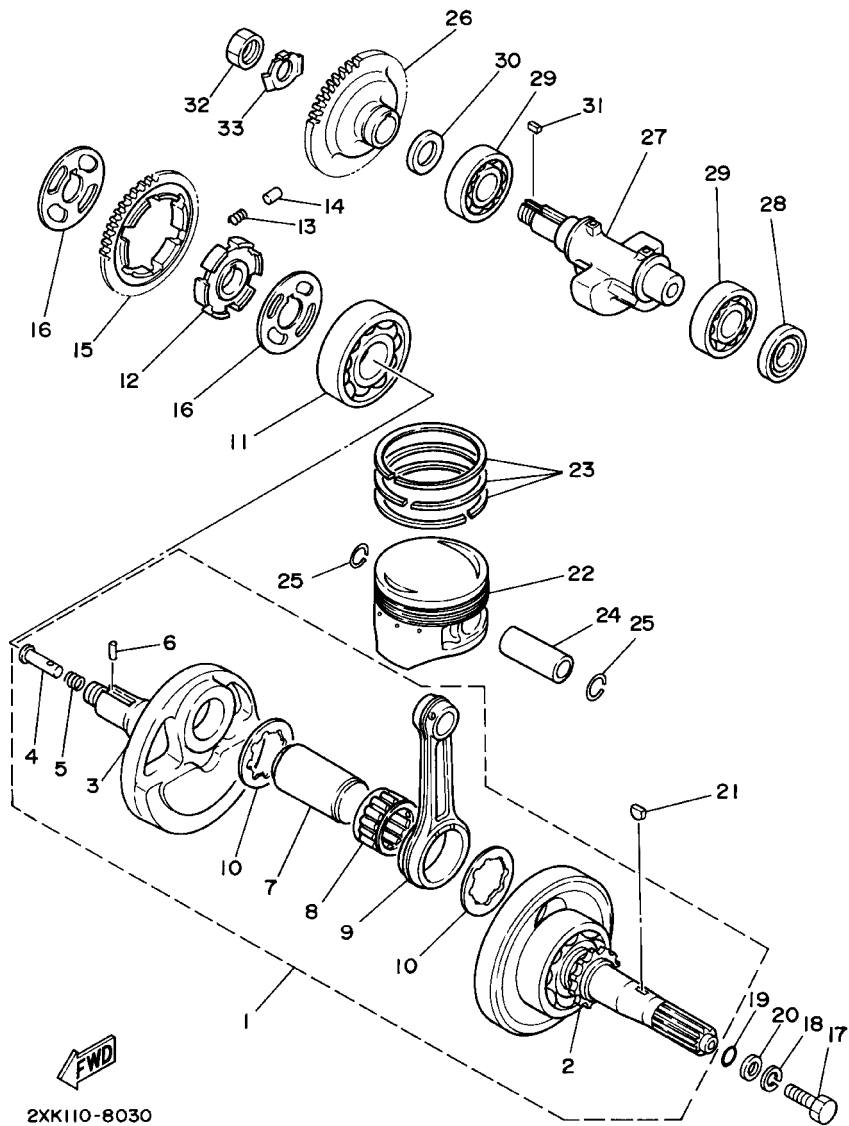


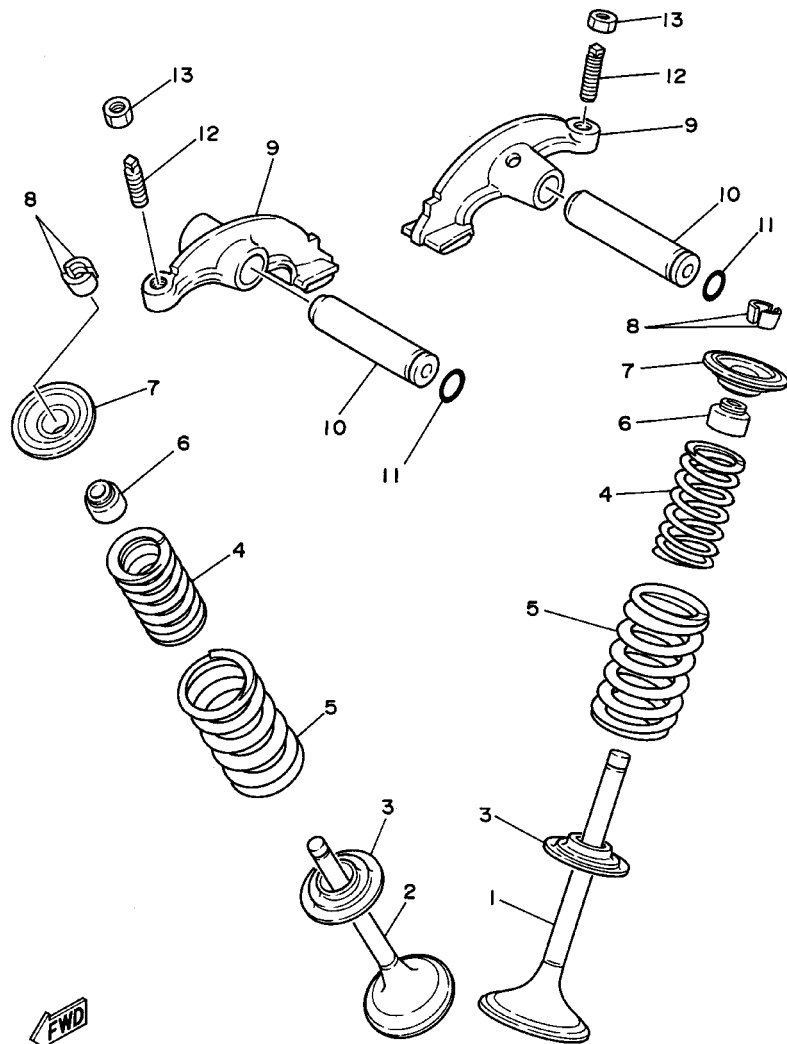
FIG. 3 CRANKSHAFT. PISTON

| REF. NO. | PART NO.     | DESCRIPTION   | USA | CAN | FRA | OOE | JPN | REMARKS |
|----------|--------------|---------------|-----|-----|-----|-----|-----|---------|
| 24       | 55V-11633-00 | PIN, PISTON   | 1   | 1   | 1   | 1   | 1   |         |
| 25       | 93450-19095  | CIRCLIP       | 2   | 2   | 2   | 2   | 2   |         |
| 26       | 1UY-11536-01 | GEAR, DRIVE   | 1   | 1   | 1   | 1   | 1   |         |
| 27       | 1UY-11454-00 | WEIGHT 1      | 1   | 1   | 1   | 1   | 1   |         |
| 28       | 93101-25106  | OIL SEAL      | 1   | 1   | 1   | 1   | 1   |         |
| 29       | 93306-20532  | BEARING       | 2   | 2   | 2   | 2   | 2   |         |
| 30       | 90201-207G6  | WASHER, PLATE | 1   | 1   | 1   | 1   | 1   |         |
| 31       | 90282-05034  | KEY, STRAIGHT | 1   | 1   | 1   | 1   | 1   |         |
| 32       | 90170-16326  | NUT           | 1   | 1   | 1   | 1   | 1   |         |
| 33       | 90215-16270  | WASHER, LOCK  | 1   | 1   | 1   | 1   | 1   |         |



2XK110-8030

FIG. 4 VALVE

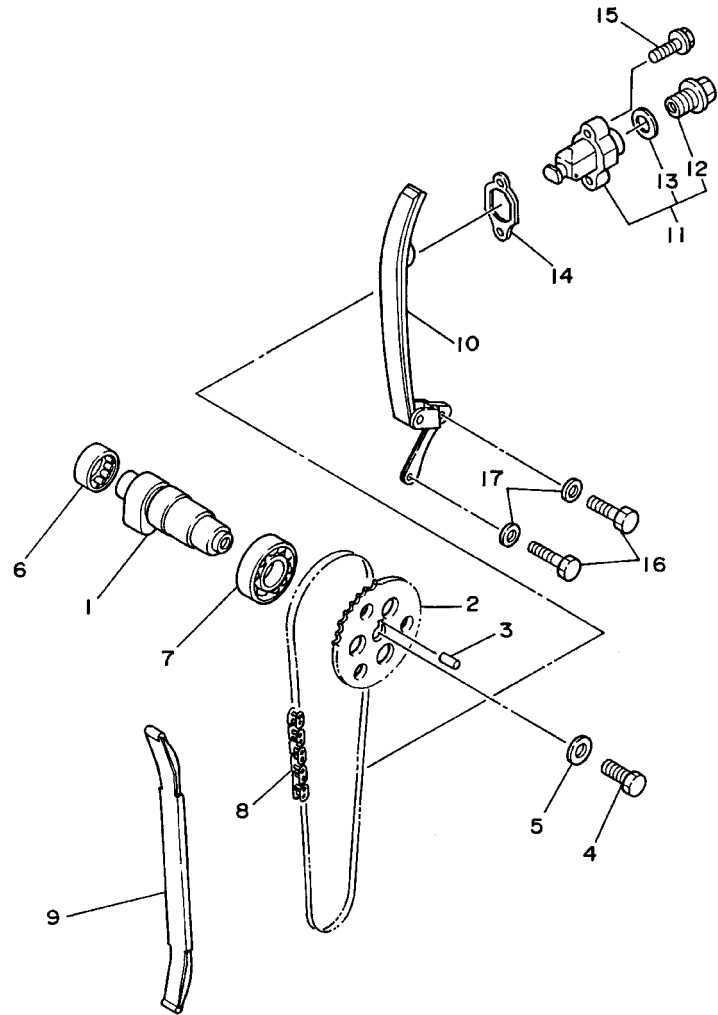


| REF. NO. | PART NO.     | DESCRIPTION            | USA | CAN | FRA | OOE | JPN | REMARKS |
|----------|--------------|------------------------|-----|-----|-----|-----|-----|---------|
| 1        | 1UY-12111-01 | VALVE, INTAKE          | 1   | 1   | 1   | 1   | 1   |         |
| 2        | 1UY-12121-01 | VALVE, EXHAUST         | 1   | 1   | 1   | 1   | 1   |         |
| 3        | 3Y1-12116-00 | SEAT, VALVE SPRING     | 2   | 2   | 2   | 2   | 2   |         |
| 4        | 1UY-12113-01 | SPRING, VALVE INNER    | 2   | 2   | 2   | 2   | 2   |         |
| 5        | 1UY-12114-01 | SPRING, VALVE OUTER    | 2   | 2   | 2   | 2   | 2   |         |
| 6        | 1J7-12119-01 | SEAL, VALVE STEM       | 2   | 2   | 2   | 2   | 2   |         |
| 7        | 3Y1-12117-01 | RETAINER, VALVE SPRING | 2   | 2   | 2   | 2   | 2   |         |
| 8        | 1J7-12118-00 | COTTER, VALVE          | 4   | 4   | 4   | 4   | 4   |         |
| 9        | 3GD-12151-00 | ARM, VALVE ROCKER      | 2   | 2   | 2   | 2   | 2   |         |
| 10       | 3Y1-12156-00 | SHAFT, ROCKER 2        | 2   | 2   | 2   | 2   | 2   |         |
| 11       | 93210-09165  | O-RING                 | 2   | 2   | 2   | 2   | 2   |         |
| 12       | 31G-12159-02 | SCREW, VALVE ADJUSTING | 2   | 2   | 2   | 2   | 2   |         |
| 13       | 31G-12158-00 | NUT, LOCK              | 2   | 2   | 2   | 2   | 2   |         |



3GD3110-9040

FIG. 5 CAMSHAFT. CHAIN

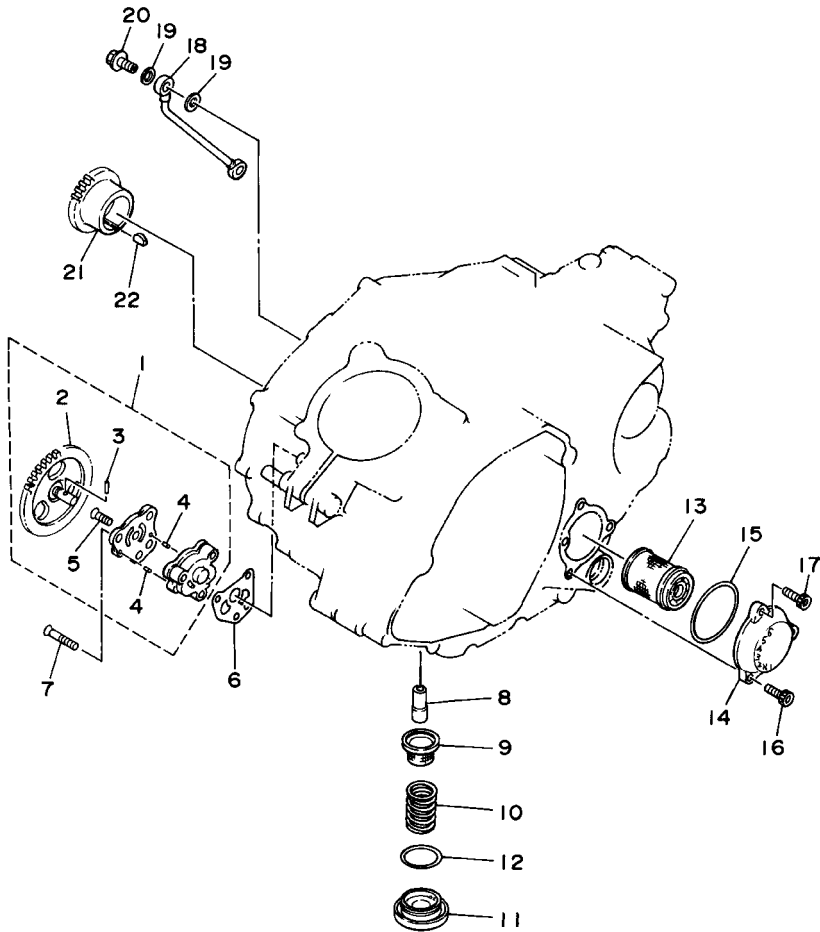


  
3HP1100-9050

| REF. NO. | PART NO.     | DESCRIPTION               | USA | CAN | FRA | OOE | JPN | REMARKS |
|----------|--------------|---------------------------|-----|-----|-----|-----|-----|---------|
| 1        | 1UY-12170-00 | CAMSHAFT ASSY 1           | 1   | 1   | 1   | 1   | 1   |         |
| 2        | 3HN-12176-00 | SPROCKET, CAM CHAIN       | 1   | 1   | 1   | 1   | 1   |         |
| 3        | 93604-10011  | PIN, DOWEL                | 1   | 1   | 1   | 1   | 1   |         |
| 4        | 90101-10303  | BOLT                      | 1   | 1   | 1   | 1   | 1   |         |
| 5        | 90201-10591  | WASHER, PLATE             | 1   | 1   | 1   | 1   | 1   |         |
| 6        | 93315-32516  | BEARING                   | 1   | 1   | 1   | 1   | 1   |         |
| 7        | 93306-00515  | BEARING                   | 1   | 1   | 1   | 1   | 1   |         |
| 8        | 94500-02090  | CHAIN (BF05M 90L)         | 1   | 1   | 1   | 1   | 1   |         |
| 9        | 3Y1-12231-01 | GUIDE, STOPPER 1          | 1   | 1   | 1   | 1   | 1   |         |
| 10       | 1UY-12241-00 | GUIDE, STOPPER 2          | 1   | 1   | 1   | 1   | 1   |         |
| 11       | 31G-12210-01 | TENSIONER ASSY, CAM CHAIN | 1   | 1   | 1   | 1   | 1   |         |
| 12       | 31G-12222-00 | .PLUG                     | 1   | 1   | 1   | 1   | 1   |         |
| 13       | 31G-12214-00 | .GASKET                   | 1   | 1   | 1   | 1   | 1   |         |
| 14       | 3GD-12213-00 | GASKET, TENSIONER CASE    | 1   | 1   | 1   | 1   | 1   |         |
| 15       | 95027-06025  | BOLT, FLANGE              | 2   | 2   | 2   | 2   | 2   |         |
| 16       | 97027-06016  | BOLT                      | 2   | 2   | 2   | 2   | 2   |         |
| 17       | 92907-06600  | WASHER, PLATE             | 2   | 2   | 2   | 2   | 2   |         |
|          |              |                           |     |     |     |     |     |         |
|          |              |                           |     |     |     |     |     |         |
|          |              |                           |     |     |     |     |     |         |
|          |              |                           |     |     |     |     |     |         |

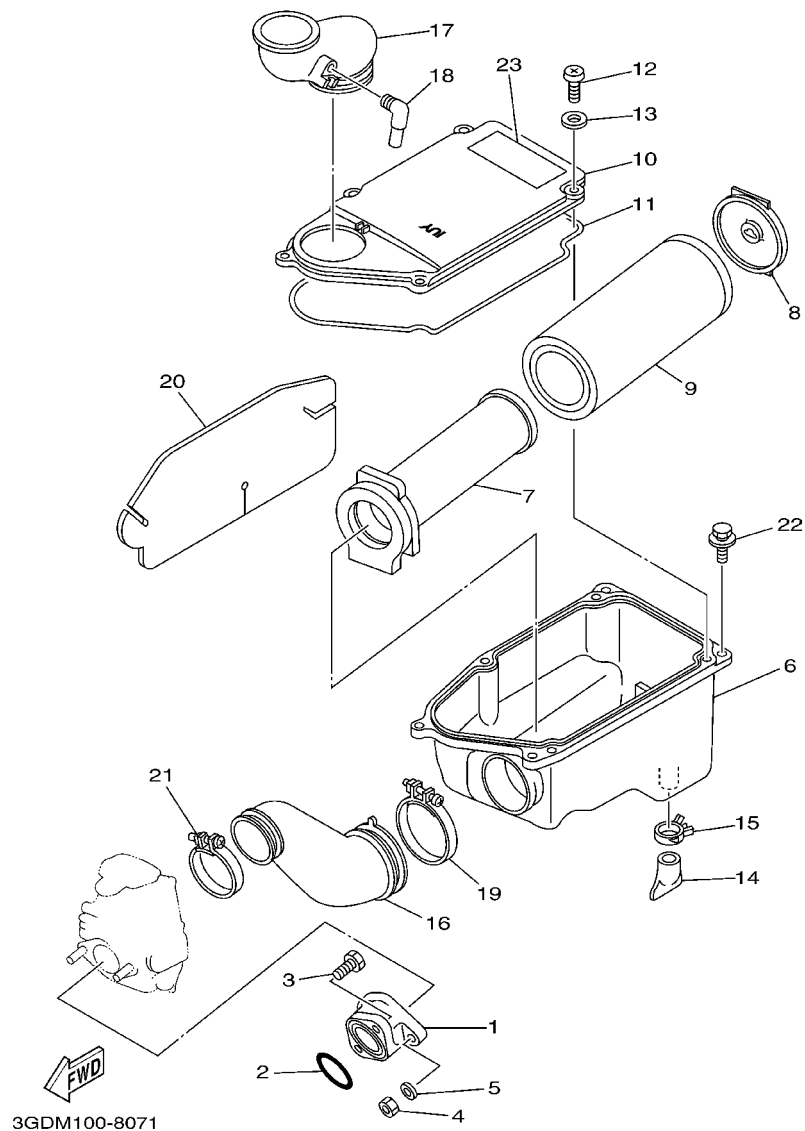
FIG. 6 OIL PUMP

| REF. NO. | PART NO.     | DESCRIPTION               | USA | CAN | FRA | OOE | JPN | REMARKS |
|----------|--------------|---------------------------|-----|-----|-----|-----|-----|---------|
| 1        | 1UY-13300-00 | OIL PUMP ASSY             | 1   | 1   | 1   | 1   | 1   |         |
| 2        | 1UY-13326-00 | .GEAR, PUMP DRIVEN 2      | 1   | 1   | 1   | 1   | 1   |         |
| 3        | 93603-12030  | .PIN, DOWEL               | 1   | 1   | 1   | 1   | 1   |         |
| 4        | 93603-07073  | .PIN, DOWEL               | 2   | 2   | 2   | 2   | 2   |         |
| 5        | 90151-06010  | .SCREW, COUNTERSUNK       | 1   | 1   | 1   | 1   | 1   |         |
| 6        | 3GD-13329-00 | GASKET, PUMP COVER        | 1   | 1   | 1   | 1   | 1   |         |
| 7        | 98707-06030  | SCREW, FLAT HEAD          | 3   | 3   | 3   | 3   | 3   |         |
| 8        | 2XK-13416-00 | PIPE, OIL 1               | 1   | 1   | 1   | 1   | 1   |         |
| 9        | 51Y-13411-00 | STRAINER, OIL             | 1   | 1   | 1   | 1   | 1   |         |
| 10       | 90501-18576  | SPRING, COMPRESSION       | 1   | 1   | 1   | 1   | 1   |         |
| 11       | 30X-15351-00 | PLUG, DRAIN               | 1   | 1   | 1   | 1   | 1   |         |
| 12       | 93210-35520  | O-RING                    | 1   | 1   | 1   | 1   | 1   |         |
| 13       | 1UY-13440-02 | ELEMENT ASSY, OIL CLEANER | 1   | 1   | 1   | 1   | 1   |         |
| 14       | 3GD-13447-00 | COVER, OIL ELEMENT        | 1   | 1   | 1   | 1   | 1   |         |
| 15       | 93210-54175  | O-RING                    | 1   | 1   | 1   | 1   | 1   |         |
| 16       | 91317-06020  | BOLT                      | 2   | 2   | 2   | 2   | 2   |         |
| 17       | 90110-06136  | BOLT, HEXAGON SOCKET HEAD | 1   | 1   | 1   | 1   | 1   |         |
| 18       | 1UY-13161-01 | PIPE, DELIVERY 1          | 1   | 1   | 1   | 1   | 1   |         |
| 19       | 90430-08119  | GASKET                    | 4   | 4   | 4   | 4   | 4   |         |
| 20       | 90401-08117  | BOLT, UNION               | 2   | 2   | 2   | 2   | 2   |         |
| 21       | 1UY-13324-00 | GEAR, PUMP DRIVE          | 1   | 1   | 1   | 1   | 1   |         |
| 22       | 90280-05013  | KEY, WOODRUFF             | 1   | 1   | 1   | 1   | 1   |         |



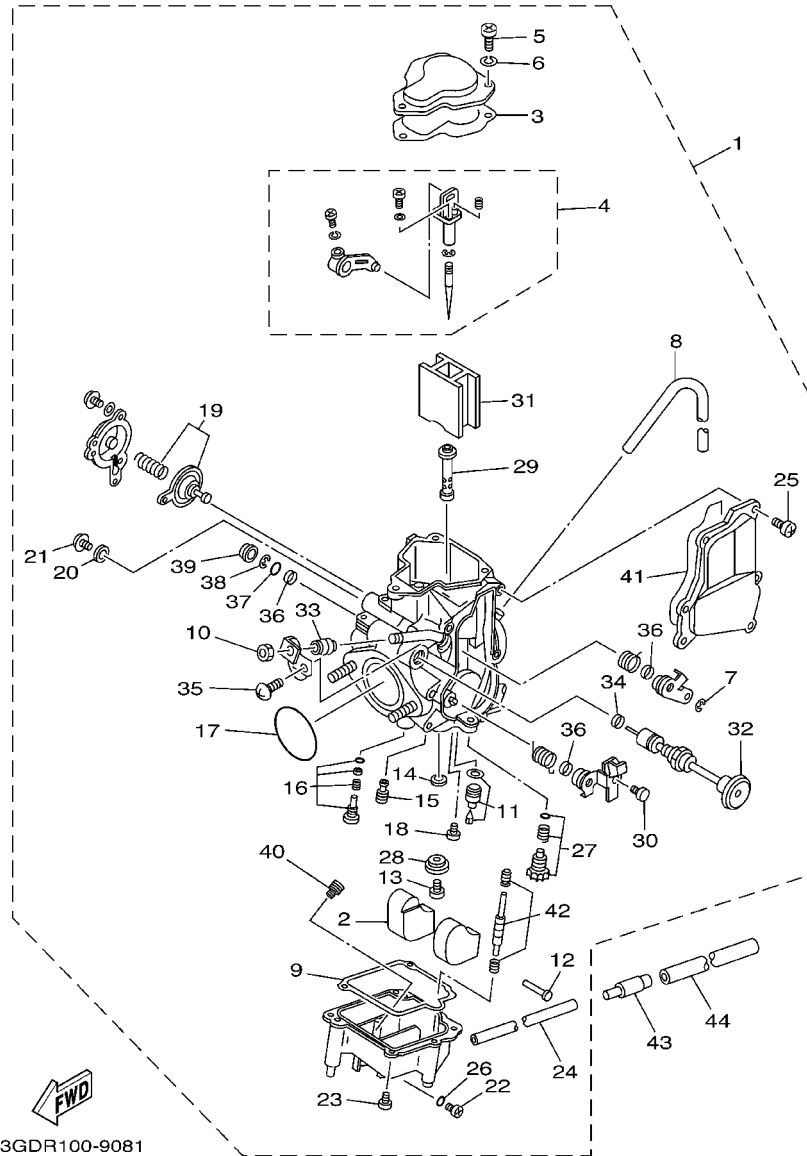
3GDI110-9060

FIG. 7 INTAKE



| REF. NO. | PART NO.     | DESCRIPTION              | USA | CAN | FRA | OOE | JPN | REMARKS        |
|----------|--------------|--------------------------|-----|-----|-----|-----|-----|----------------|
| 1        | 1UY-13586-02 | JOINT, CARBURETOR 1      | 1   | 1   | 1   | 1   | 1   |                |
| 2        | 93210-44545  | O-RING                   | 1   | 1   | 1   | 1   | 1   |                |
| 3        | 91317-08025  | BOLT                     | 2   | 2   | 2   | 2   | 2   |                |
| 4        | 95307-08600  | NUT                      | 2   | 2   | 2   | 2   | 2   |                |
| 5        | 90201-08085  | WASHER, PLATE            | 4   | 4   | 4   | 4   | 4   |                |
| 6        | 1UY-14411-02 | CASE, AIR CLEANER 1      | 1   | 1   | 1   | 1   | 1   |                |
| 7        | 1UY-14458-01 | GUIDE                    | 1   | 1   | 1   | 1   | 1   |                |
| 8        | 1UY-14468-00 | PLATE,ELEMENT FITTING    | 1   | 1   | 1   | 1   | 1   |                |
| 9        | 1UY-14451-00 | ELEMENT, AIR CLEANER     | 1   | 1   | 1   | 1   | 1   |                |
| 10       | 1UY-14412-01 | CAP, CLEANER CASE 1      | 1   | 1   | 1   | 1   | 1   |                |
| 11       | 10M-14457-00 | SEAL                     | 1   | 1   | 1   | 1   | 1   |                |
| 12       | 98507-05016  | SCREW                    | 5   | 5   | 5   | 5   | 5   |                |
| 13       | 92907-05600  | WASHER, PLATE            | 5   | 5   | 5   | 5   | 5   |                |
| 14       | 59V-14457-00 | SEAL                     | 1   | 1   | 1   | 1   | 1   |                |
| 15       | 90467-22080  | CLIP                     | 1   | 1   | 1   | 1   | 1   |                |
| 16       | 1UY-14453-00 | JOINT, AIR CLEANER 1     | 1   | 1   | 1   | 1   | 1   |                |
| 17       | 1UY-14437-02 | DUCT                     | 1   | 1   | 1   | 1   | 1   |                |
| 18       | 31A-14419-00 | PIPE                     | 1   | 1   | 1   | 1   | 1   |                |
| 19       | 90460-75020  | CLAMP, HOSE              | 1   | 1   | 1   | 1   | 1   |                |
| 20       | 3GD-1442F-00 | PROTECTOR                | 1   | 1   | 1   | 1   | 1   |                |
| 21       | 90460-56105  | CLAMP, HOSE              | 1   | 1   | 1   | 1   | 1   |                |
| 22       | 90119-06063  | BOLT, WITH WASHER        | 3   | 3   | 3   | 3   | 3   |                |
| 23       | 3GD-2179T-30 | PLATE, EPA 3(CALIFORNIA) | 1   |     |     |     |     | FOR CALIFORNIA |

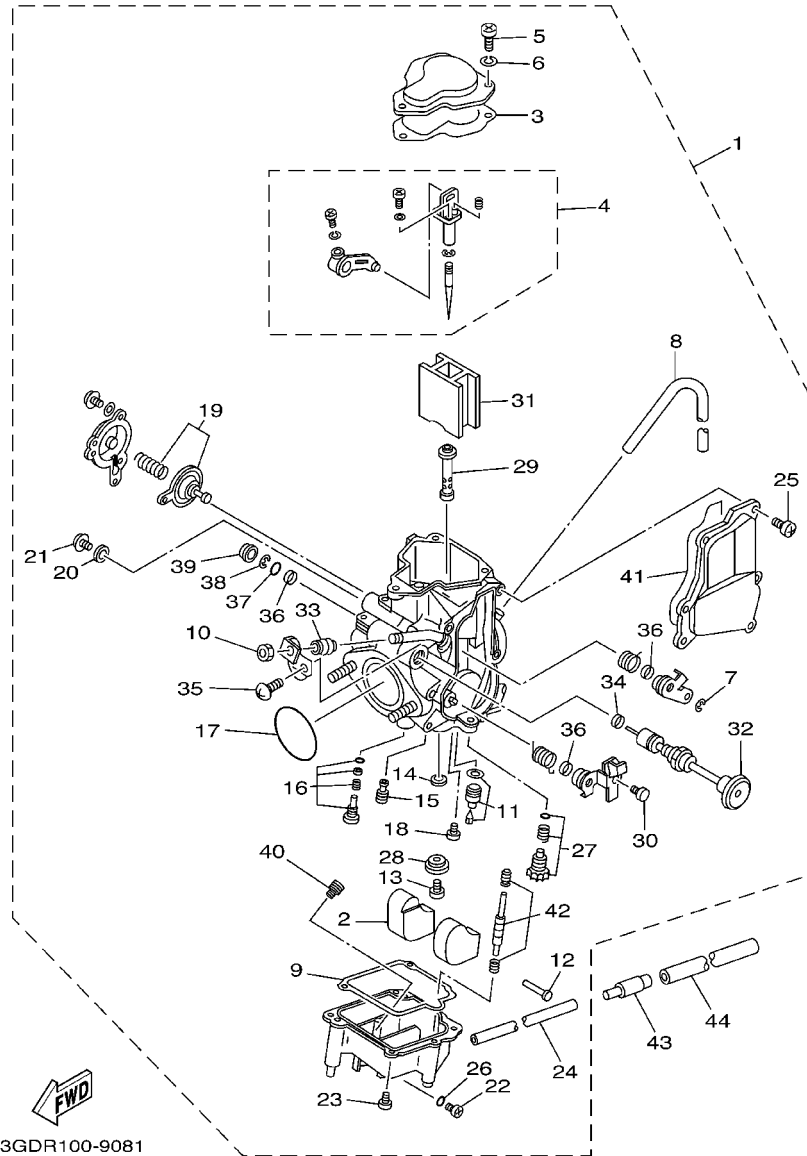
FIG. 8 CARBURETOR



| REF. NO. | PART NO.     | DESCRIPTION           | USA | CAN | FRA | OOE | JPN | REMARKS           |
|----------|--------------|-----------------------|-----|-----|-----|-----|-----|-------------------|
| 1        | 3GD-14101-00 | CARBURETOR ASSY 1     | 1   | 1   | 1   | 1   | 1   | UR                |
|          | 3GD-14101-10 | CARBURETOR ASSY 1     | 1   |     |     |     |     | UR FOR CALIFORNIA |
| 2        | 2VA-14185-00 | .FLOAT                | 1   | 1   | 1   | 1   | 1   |                   |
| 3        | 1UY-14198-00 | .GASKET               | 1   | 1   | 1   | 1   | 1   |                   |
| 4        | 1UY-1490J-00 | .NEEDLE SET           | 1   | 1   | 1   | 1   | 1   | UR                |
|          | 3GD-1490J-10 | .NEEDLE SET           | 1   |     |     |     |     | UR FOR CALIFORNIA |
| 5        | 98511-04010  | .SCREW, PAN HEAD      | 3   | 3   | 3   | 3   | 3   |                   |
| 6        | 92902-04100  | .WASHER, SPRING       | 3   | 3   | 3   | 3   | 3   |                   |
| 7        | 737-14137-00 | .CLIP                 | 1   | 1   | 1   | 1   | 1   |                   |
| 8        | 1UY-14197-00 | .PIPE                 | 1   | 1   | 1   | 1   | 1   |                   |
| 9        | 1UY-14147-00 | .O-RING               | 1   | 1   | 1   | 1   | 1   |                   |
| 10       | 802-14161-00 | .NUT, CABLE ADJUSTING | 1   | 1   | 1   | 1   | 1   |                   |
| 11       | 1UY-14107-25 | .NEEDLE VALVE SET     | 1   | 1   | 1   | 1   | 1   |                   |
| 12       | 537-14186-00 | .PIN, FLOAT           | 1   | 1   | 1   | 1   | 1   |                   |
| 13       | 620-14231-29 | .JET, MAIN (#145)     | 1   | 1   | 1   | 1   | 1   |                   |
| 14       | 137-14153-00 | .WASHER, MAIN JET     | 1   | 1   | 1   | 1   | 1   |                   |
| 15       | 4G0-14142-42 | .JET, PILOT (# 42.5)  | 1   | 1   | 1   | 1   | 1   |                   |
| 16       | 21V-14105-00 | .PILOT SCREW SET      | 1   | 1   | 1   | 1   | 1   |                   |
| 17       | 1YW-14147-00 | .O-RING               | 1   | 1   | 1   | 1   | 1   |                   |
| 18       | 1FN-14565-00 | .SCREW                | 1   | 1   | 1   | 1   | 1   |                   |
| 19       | 26H-1490H-00 | .DIAPHRAGM SET 5      | 1   | 1   | 1   | 1   | 1   |                   |
| 20       | 59V-14962-00 | .WASHER               | 1   | 1   | 1   | 1   | 1   |                   |
| 21       | 92502-06008  | .SCREW, PAN HEAD      | 1   | 1   | 1   | 1   | 1   |                   |
| 22       | 2L1-14191-00 | .PLUG, DRAIN          | 1   | 1   | 1   | 1   | 1   |                   |
| 23       | 98502-04012  | .SCREW, PAN HEAD      | 4   | 4   | 4   | 4   | 4   |                   |
| 24       | 21V-14196-00 | .PIPE                 | 1   | 1   | 1   | 1   | 1   |                   |
| 25       | 1UY-14565-00 | .SCREW                | 6   | 6   | 6   | 6   | 6   |                   |



**FIG. 8 CARBURETOR**



3GDR100-9081

| REF. NO. | PART NO.     | DESCRIPTION          | USA | CAN | FRA | OOE | JPN | REMARKS           |
|----------|--------------|----------------------|-----|-----|-----|-----|-----|-------------------|
| 26       | 214-14147-00 | .O-RING              | 1   | 1   | 1   | 1   | 1   |                   |
| 27       | 2VA-14103-00 | .THROTTLE SCREW SET  | 1   | 1   | 1   | 1   | 1   |                   |
| 28       | 5V7-14153-00 | .WASHER, MAIN JET    | 1   | 1   | 1   | 1   | 1   |                   |
| 29       | 1UY-14141-36 | .NOZZLE, MAIN        | 1   | 1   | 1   | 1   | 1   | UR                |
|          | 3GD-14141-36 | .NOZZLE, MAIN        | 1   |     |     |     |     | UR FOR CALIFORNIA |
| 30       | 1UY-14155-00 | .GUIDE, CABLE        | 1   | 1   | 1   | 1   | 1   |                   |
| 31       | 1UY-14112-00 | .VALVE, THROTTLE 1   | 1   | 1   | 1   | 1   | 1   |                   |
| 32       | 1UY-14993-00 | .PLUNGER, STARTER    | 1   | 1   | 1   | 1   | 1   |                   |
| 33       | 22F-14173-00 | .COVER, PLUNGER CAP  | 1   | 1   | 1   | 1   | 1   |                   |
| 34       | 2A2-14997-00 | .SEAL                | 3   | 3   | 3   | 3   | 3   |                   |
| 35       | 98502-04010  | .SCREW, PAN HEAD     | 1   | 1   | 1   | 1   | 1   |                   |
| 36       | 2A2-14997-00 | .SEAL                | 3   | 3   | 3   | 3   | 3   |                   |
| 37       | 22F-14126-00 | .GASKET              | 1   | 1   | 1   | 1   | 1   |                   |
| 38       | 812-14137-00 | .CLIP                | 1   | 1   | 1   | 1   | 1   |                   |
| 39       | 36X-14169-00 | .CAP                 | 1   | 1   | 1   | 1   | 1   |                   |
| 40       | 1HX-14231-63 | .JET, MAIN (#315)    | 1   | 1   | 1   | 1   | 1   |                   |
| 41       | 2HR-14147-00 | .O-RING              | 1   | 1   | 1   | 1   | 1   |                   |
| 42       | 1UY-14504-00 | .ROD SET             | 1   | 1   | 1   | 1   | 1   |                   |
| 43       | 24W-14193-00 | PIPE                 | 1   | 1   | 1   | 1   | 1   |                   |
| 44       | 91A20-07010  | TUBE, FLEXIBLE VINYL | 1   | 1   | 1   | 1   | 1   |                   |

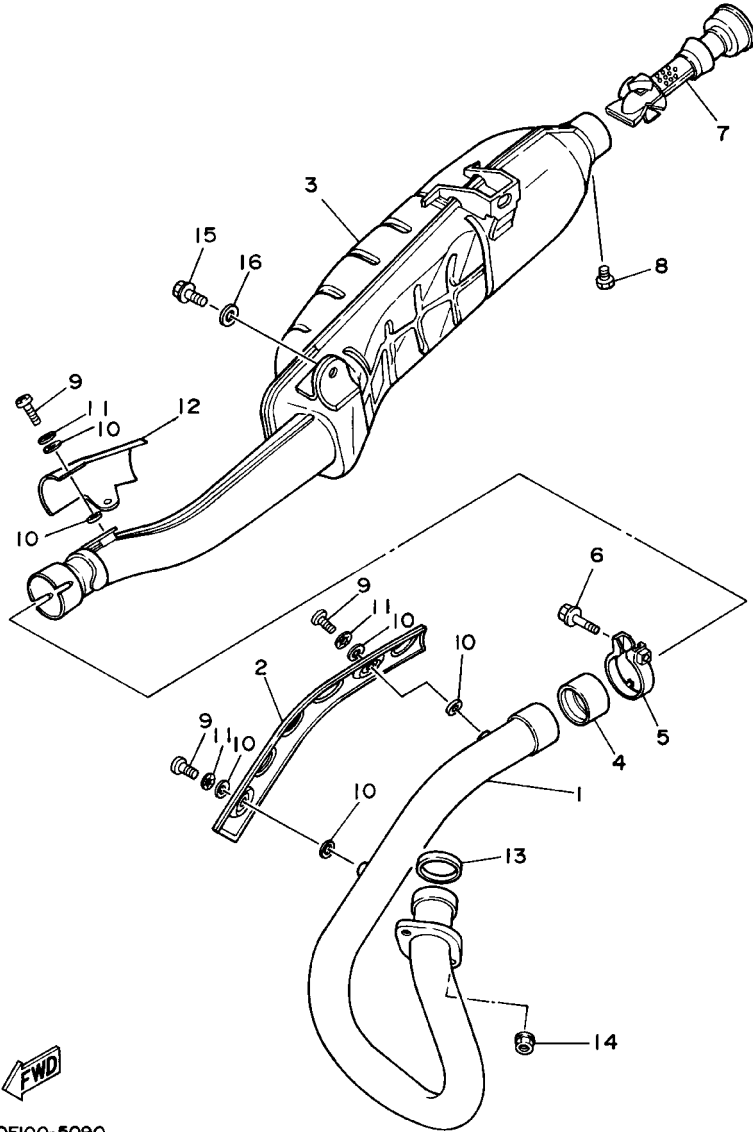


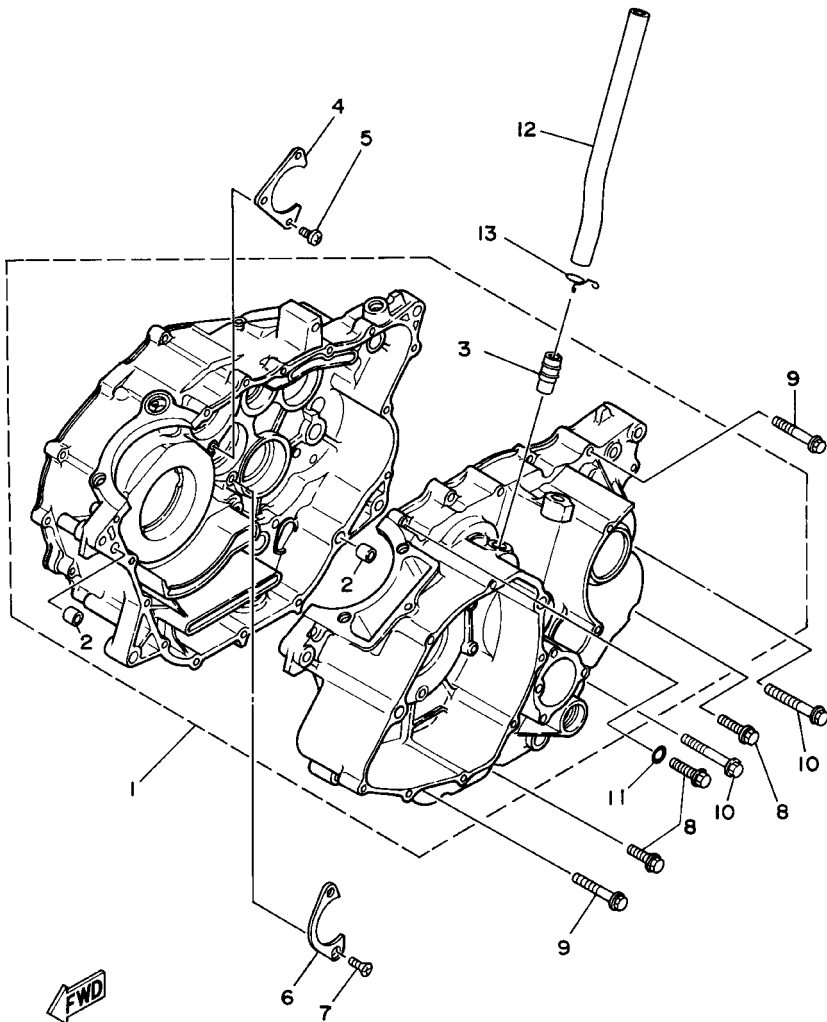
FIG. 9 EXHAUST

| REF. NO. | PART NO.     | DESCRIPTION             | USA | CAN | FRA | OOE | JPN | REMARKS |
|----------|--------------|-------------------------|-----|-----|-----|-----|-----|---------|
| 1        | 1UY-14611-02 | PIPE, EXHAUST 1         | 1   | 1   | 1   | 1   | 1   |         |
| 2        | 1YW-14628-00 | PROTECTOR, EXHAUST PIPE | 1   | 1   | 1   | 1   | 1   |         |
| 3        | 1UY-14711-04 | MUFFLER 1               | 1   | 1   | 1   | 1   | 1   |         |
| 4        | 3YF-14755-00 | GASKET, SILENCER        | 1   | 1   | 1   | 1   | 1   |         |
| 5        | 1UY-14715-00 | BAND, MUFFLER           | 1   | 1   | 1   | 1   | 1   |         |
| 6        | 95817-08045  | BOLT, FLANGE            | 1   | 1   | 1   | 1   | 1   |         |
| 7        | 21V-14752-00 | PIPE, OUTLET            | 1   | 1   | 1   | 1   | 1   |         |
| 8        | 97007-06008  | BOLT                    | 1   | 1   | 1   | 1   | 1   |         |
| 9        | 98907-06010  | SCREW, BIND             | 4   | 4   | 4   | 4   | 4   |         |
| 10       | 4BD-14766-00 | WASHER, PROTECTOR       | 8   | 8   | 8   | 8   | 8   |         |
| 11       | 90206-06090  | WASHER, WAVE            | 4   | 4   | 4   | 4   | 4   |         |
| 12       | 1UY-14718-00 | PROTECTOR, MUFFLER 1    | 1   | 1   | 1   | 1   | 1   |         |
| 13       | 3GD-14613-00 | GASKET, EXHAUST PIPE    | 1   | 1   | 1   | 1   | 1   |         |
| 14       | 90179-06668  | NUT                     | 2   | 2   | 2   | 2   | 2   |         |
| 15       | 95817-08016  | BOLT, FLANGE            | 3   | 3   | 3   | 3   | 3   |         |
| 16       | 90201-08326  | WASHER, PLATE           | 3   | 3   | 3   | 3   | 3   |         |



3GDF100-5090

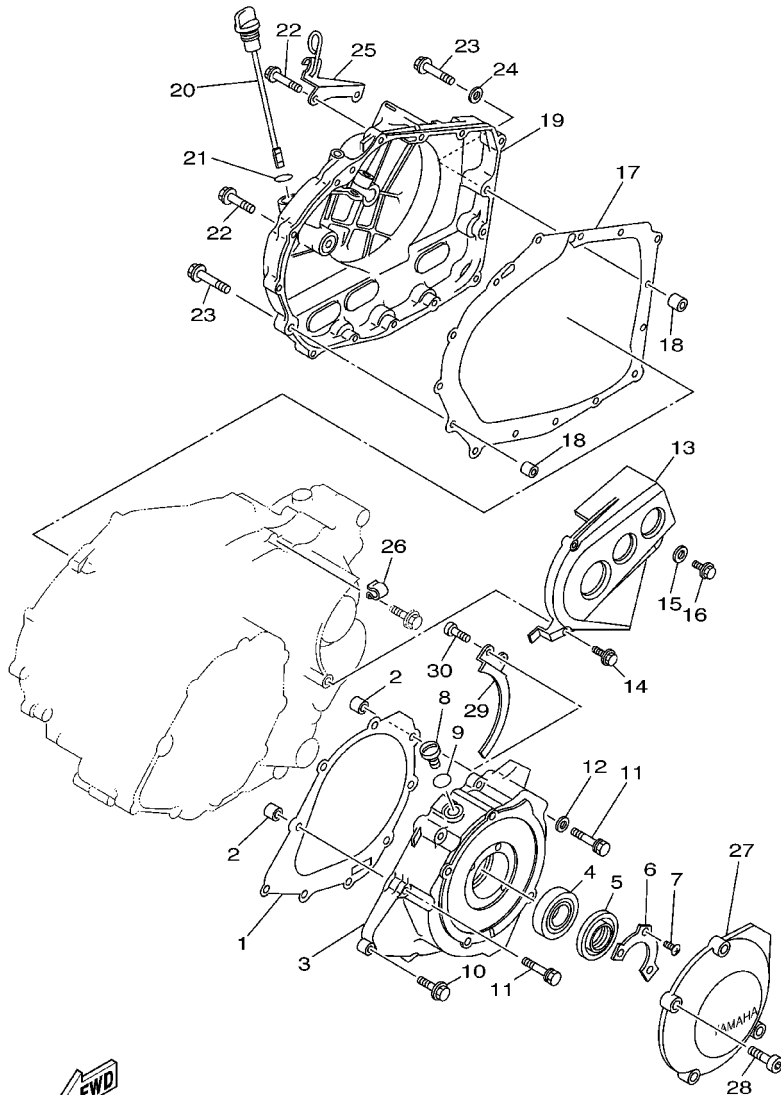
FIG. 10 CRANKCASE



3GD1110-9100

| REF. NO. | PART NO.     | DESCRIPTION          | USA | CAN | FRA | OOE | JPN | REMARKS |
|----------|--------------|----------------------|-----|-----|-----|-----|-----|---------|
| 1        | 3GD-15100-01 | CRANKCASE ASSY       | 1   | 1   | 1   | 1   | 1   |         |
| 2        | 99530-12016  | .PIN, DOWEL          | 2   | 2   | 2   | 2   | 2   |         |
| 3        | 371-11167-01 | .PIPE, BREATHER 2    | 1   | 1   | 1   | 1   | 1   |         |
| 4        | 3R4-15381-00 | PLATE, BEARING COVER | 1   | 1   | 1   | 1   | 1   |         |
| 5        | 98507-06012  | SCREW                | 3   | 3   | 3   | 3   | 3   |         |
| 6        | 1UY-15383-00 | PLATE, BEARING COVER | 1   | 1   | 1   | 1   | 1   |         |
| 7        | 98707-06016  | SCREW, FLAT HEAD     | 2   | 2   | 2   | 2   | 2   |         |
| 8        | 95027-06030  | BOLT, FLANGE         | 8   | 8   | 8   | 8   | 8   |         |
| 9        | 95027-06050  | BOLT, FLANGE         | 6   | 6   | 6   | 6   | 6   |         |
| 10       | 95027-06060  | BOLT, FLANGE         | 2   | 2   | 2   | 2   | 2   |         |
| 11       | 90430-06014  | GASKET               | 1   | 1   | 1   | 1   | 1   |         |
| 12       | 90445-16594  | HOSE (L230)          | 1   | 1   | 1   | 1   | 1   |         |
| 13       | 90467-14015  | CLIP                 | 1   | 1   | 1   | 1   | 1   |         |

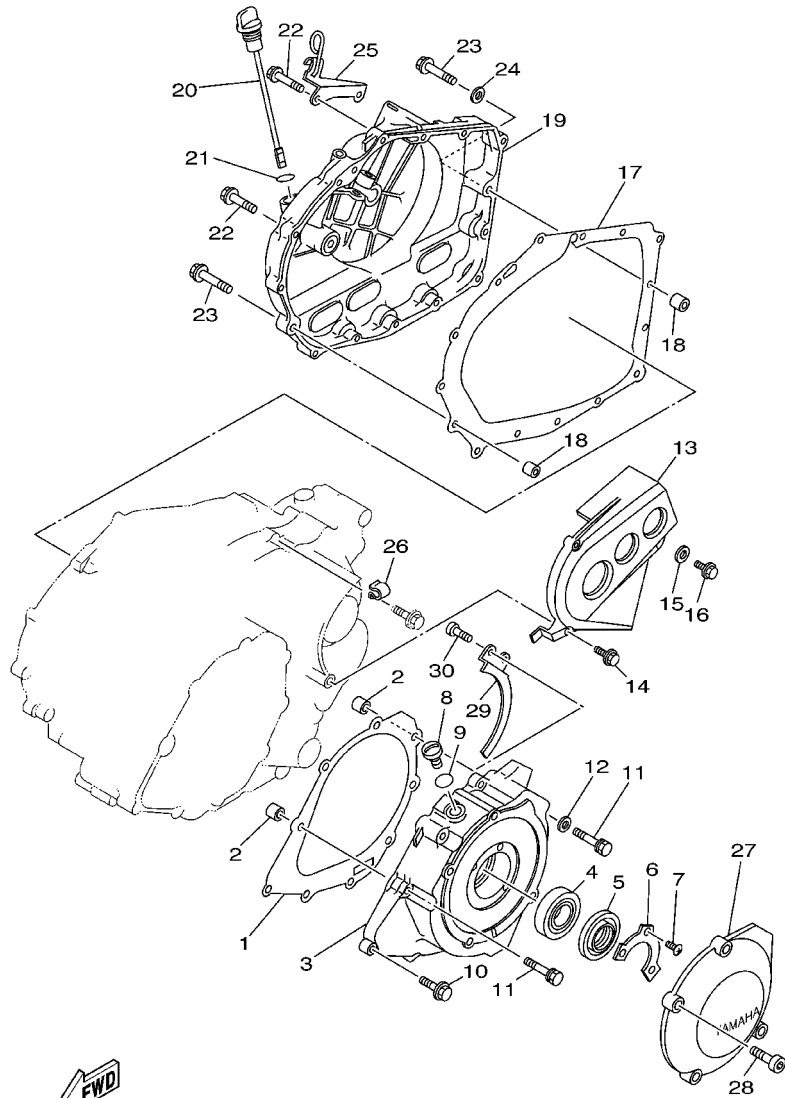
FIG. 11 CRANKCASE COVER 1



3GDU100-0110

| REF. NO. | PART NO.     | DESCRIPTION               | USA | CAN | FRA | OOE | JPN | REMARKS |
|----------|--------------|---------------------------|-----|-----|-----|-----|-----|---------|
| 1        | 3GD-15451-00 | GASKET, CRANKCASE COVER 1 | 1   | 1   | 1   | 1   | 1   |         |
| 2        | 99530-12016  | PIN, DOWEL                | 2   | 2   | 2   | 2   | 2   |         |
| 3        | 3GD-15787-02 | ADAPTOR                   | 1   | 1   | 1   | 1   | 1   |         |
| 4        | 93306-07801  | BEARING                   | 1   | 1   | 1   | 1   | 1   |         |
| 5        | 93102-28476  | OIL SEAL                  | 1   | 1   | 1   | 1   | 1   |         |
| 6        | 1UY-15719-00 | WASHER, THRUST            | 1   | 1   | 1   | 1   | 1   |         |
| 7        | 90151-05023  | SCREW, COUNTERSUNK        | 3   | 3   | 3   | 3   | 3   |         |
| 8        | 90340-14117  | PLUG, STRAIGHT SCREW      | 1   | 1   | 1   | 1   | 1   |         |
| 9        | 93210-14369  | O-RING                    | 1   | 1   | 1   | 1   | 1   |         |
| 10       | 95027-06025  | BOLT, FLANGE              | 4   | 4   | 4   | 4   | 4   |         |
| 11       | 95027-06045  | BOLT, FLANGE              | 5   | 5   | 5   | 5   | 5   |         |
| 12       | 90430-06014  | GASKET                    | 1   | 1   | 1   | 1   | 1   |         |
| 13       | 1UY-15421-00 | COVER, CRANKCASE 2        | 1   | 1   | 1   | 1   | 1   |         |
| 14       | 95027-06020  | BOLT, FLANGE              | 2   | 2   | 2   | 2   | 2   |         |
| 15       | 90201-06380  | WASHER, PLATE             | 1   | 1   | 1   | 1   | 1   |         |
| 16       | 95027-06016  | BOLT, FLANGE              | 1   | 1   | 1   | 1   | 1   |         |
| 17       | 3GD-15461-00 | GASKET, CRANKCASE COVER 2 | 1   | 1   | 1   | 1   | 1   |         |
| 18       | 99530-12016  | PIN, DOWEL                | 2   | 2   | 2   | 2   | 2   |         |
| 19       | 3GD-15431-10 | COVER, CRANKCASE 3        | 1   | 1   | 1   | 1   | 1   |         |
| 20       | 1UY-15362-01 | PLUG, OIL LEVEL           | 1   | 1   | 1   | 1   | 1   |         |
| 21       | 93210-19522  | O-RING                    | 1   | 1   | 1   | 1   | 1   |         |
| 22       | 95027-06030  | BOLT, FLANGE              | 13  | 13  | 13  | 13  | 13  |         |
| 23       | 95027-06040  | BOLT, FLANGE              | 2   | 2   | 2   | 2   | 2   |         |
| 24       | 90430-06014  | GASKET                    | 1   | 1   | 1   | 1   | 1   |         |
| 25       | 1UY-15441-00 | HOLDER, CLUTCH CABLE      | 1   | 1   | 1   | 1   | 1   |         |
| 26       | 90465-08122  | CLAMP                     | 2   | 2   | 2   | 2   | 2   |         |
| 27       | 3GD-15411-00 | COVER, CRANKCASE 1        | 1   | 1   | 1   | 1   | 1   |         |

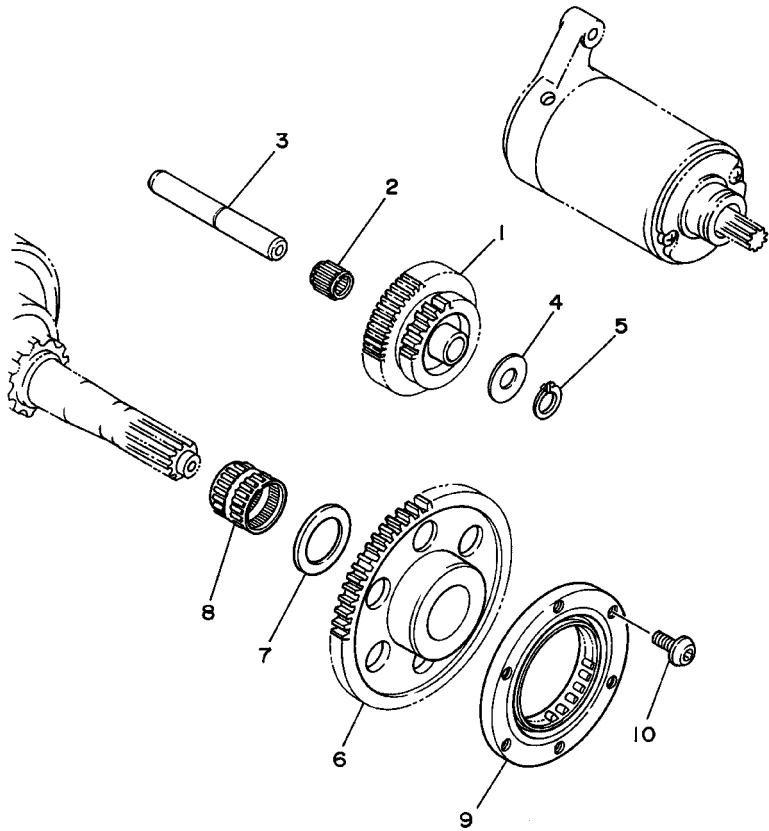
FIG. 11 CRANKCASE COVER 1



3GDU100-0110

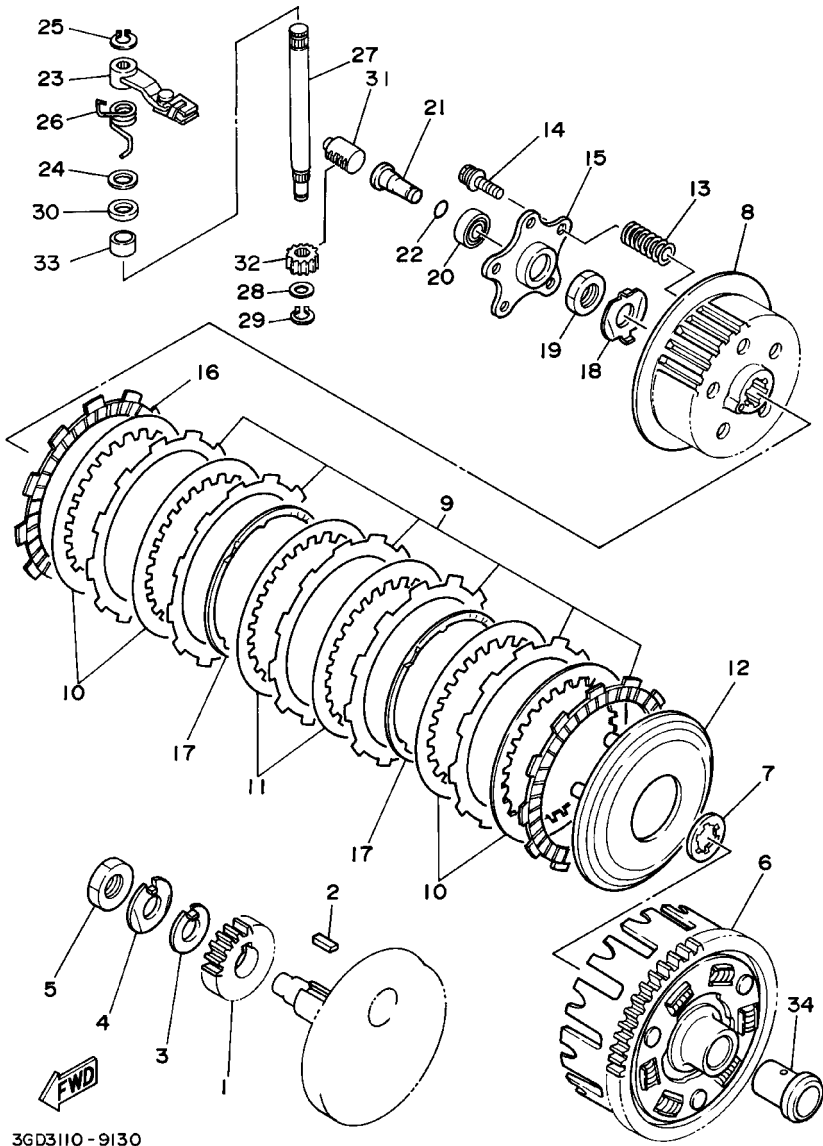
| REF. NO. | PART NO.     | DESCRIPTION | USA | CAN | FRA | OOE | JPN | REMARKS |
|----------|--------------|-------------|-----|-----|-----|-----|-----|---------|
| 28       | 91317-06025  | BOLT        | 4   | 4   | 4   | 4   | 4   |         |
| 29       | 1UY-81175-01 | STOPPER 1   | 1   | 1   | 1   | 1   | 1   |         |
| 30       | 98507-06012  | SCREW       | 2   | 2   | 2   | 2   | 2   |         |
| -----    |              |             |     |     |     |     |     |         |
| -----    |              |             |     |     |     |     |     |         |
| -----    |              |             |     |     |     |     |     |         |
| -----    |              |             |     |     |     |     |     |         |
| -----    |              |             |     |     |     |     |     |         |
| -----    |              |             |     |     |     |     |     |         |
| -----    |              |             |     |     |     |     |     |         |
| -----    |              |             |     |     |     |     |     |         |
| -----    |              |             |     |     |     |     |     |         |
| -----    |              |             |     |     |     |     |     |         |

FIG. 12 STARTER CLUTCH



| REF. NO. | PART NO.     | DESCRIPTION          | USA | CAN | FRA | OOE | JPN | REMARKS |
|----------|--------------|----------------------|-----|-----|-----|-----|-----|---------|
| 1        | 1UY-15512-00 | GEAR, IDLER 1        | 1   | 1   | 1   | 1   | 1   |         |
| 2        | 93310-212L6  | BEARING              | 2   | 2   | 2   | 2   | 2   |         |
| 3        | 1UY-15521-02 | SHAFT 1              | 1   | 1   | 1   | 1   | 1   |         |
| 4        | 90201-123K4  | WASHER, PLATE        | 1   | 1   | 1   | 1   | 1   |         |
| 5        | 99009-12400  | CIRCLIP              | 1   | 1   | 1   | 1   | 1   |         |
| 6        | 1UY-15517-01 | GEAR, IDLER 2        | 1   | 1   | 1   | 1   | 1   |         |
| 7        | 90201-25291  | WASHER, PLATE        | 1   | 1   | 1   | 1   | 1   |         |
| 8        | 93310-225N0  | BEARING              | 1   | 1   | 1   | 1   | 1   |         |
| 9        | 1UY-15590-01 | STARTER ONE-WAY ASSY | 1   | 1   | 1   | 1   | 1   |         |
| 10       | 90149-08329  | SCREW                | 6   | 6   | 6   | 6   | 6   |         |

  
3GD3100-9120



3GD3110-9130

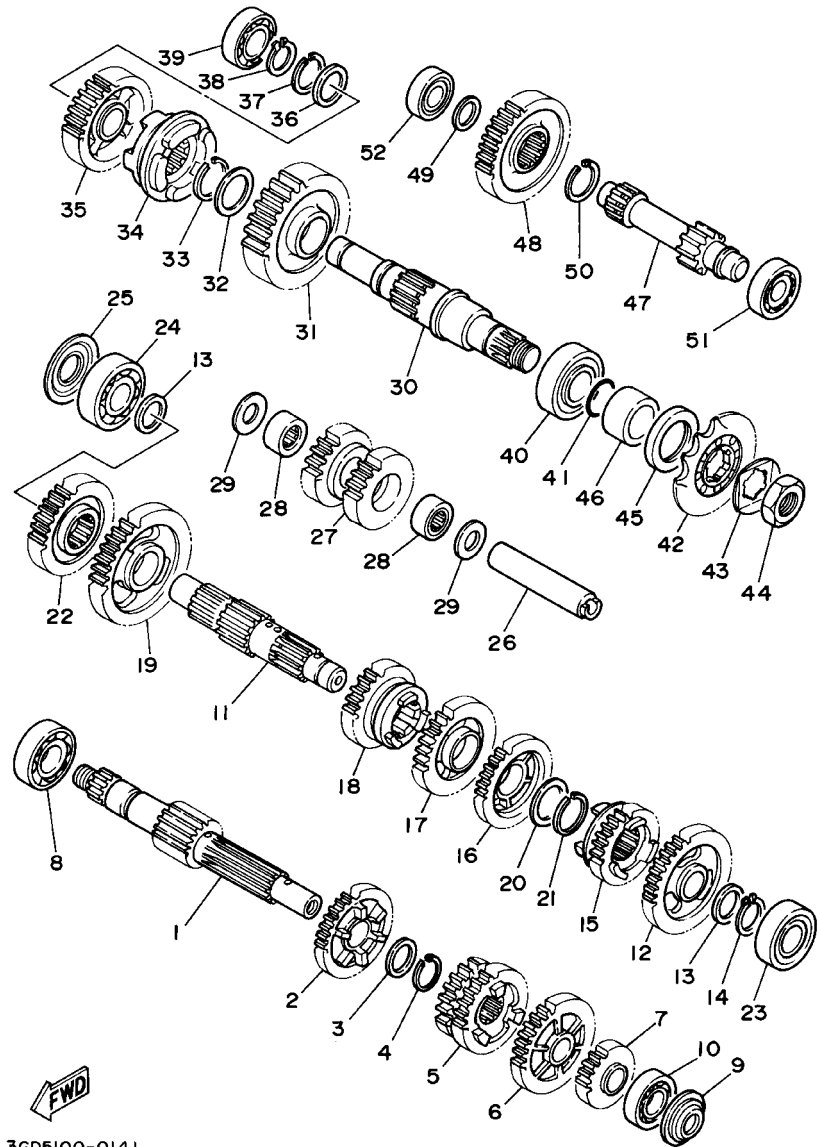
FIG. 13 CLUTCH

| REF. NO. | PART NO.     | DESCRIPTION                    | USA | CAN | FRA | OOE | JPN | REMARKS |
|----------|--------------|--------------------------------|-----|-----|-----|-----|-----|---------|
| 1        | 1UY-16111-10 | GEAR, PRIMARY DRIVE            | 1   | 1   | 1   | 1   | 1   |         |
| 2        | 90282-07057  | KEY, STRAIGHT                  | 1   | 1   | 1   | 1   | 1   |         |
| 3        | 90215-16156  | WASHER, LOCK                   | 1   | 1   | 1   | 1   | 1   |         |
| 4        | 90215-16222  | WASHER, LOCK                   | 1   | 1   | 1   | 1   | 1   |         |
| 5        | 90170-16343  | NUT                            | 1   | 1   | 1   | 1   | 1   |         |
| 6        | 2NL-16150-00 | PRIMARY DRIVEN GEAR COMP.(76T) | 1   | 1   | 1   | 1   | 1   |         |
| 7        | 30X-16154-00 | PLATE, THRUST 1                | 1   | 1   | 1   | 1   | 1   |         |
| 8        | 1UY-16371-02 | BOSS, CLUTCH                   | 1   | 1   | 1   | 1   | 1   |         |
| 9        | 5Y1-16331-01 | PLATE, FRICTION 2              | 6   | 6   | 6   | 6   | 6   |         |
| 10       | 168-16325-00 | PLATE, CLUTCH 2 (T=1.6)        | 4   | 4   | 4   | 4   | 4   |         |
| 11       | 3J2-16324-00 | PLATE, CLUTCH 1 (T=2.0)        | 2   | 2   | 2   | 2   | 2   |         |
| 12       | 1UY-16351-00 | PLATE, PRESSURE 1              | 1   | 1   | 1   | 1   | 1   |         |
| 13       | 90501-231E9  | SPRING, COMPRESSION            | 5   | 5   | 5   | 5   | 5   |         |
| 14       | 90159-06123  | SCREW, WITH WASHER             | 5   | 5   | 5   | 5   | 5   |         |
| 15       | 1UY-16352-00 | PLATE, PRESSURE 2              | 1   | 1   | 1   | 1   | 1   |         |
| 16       | 31A-16321-01 | PLATE, FRICTION                | 1   | 1   | 1   | 1   | 1   |         |
| 17       | 5Y1-16383-00 | SPRING, CLUTCH BOSS            | 2   | 2   | 2   | 2   | 2   |         |
| 18       | 90215-16258  | WASHER, LOCK                   | 1   | 1   | 1   | 1   | 1   |         |
| 19       | 90170-16326  | NUT                            | 1   | 1   | 1   | 1   | 1   |         |
| 20       | 93306-00006  | BEARING (B6000)                | 1   | 1   | 1   | 1   | 1   |         |
| 21       | 1UY-16358-00 | PLATE, PUSH                    | 1   | 1   | 1   | 1   | 1   |         |
| 22       | 93210-06422  | O-RING                         | 1   | 1   | 1   | 1   | 1   |         |
| 23       | 1UY-16340-00 | PUSH LEVER ASSY                | 1   | 1   | 1   | 1   | 1   |         |
| 24       | 90201-12163  | WASHER, PLATE                  | 1   | 1   | 1   | 1   | 1   |         |
| 25       | 99001-09600  | CIRCLIP                        | 1   | 1   | 1   | 1   | 1   |         |
| 26       | 90508-16713  | SPRING, TORSION                | 1   | 1   | 1   | 1   | 1   |         |
| 27       | 1UY-16382-00 | AXLE, PUSH LEVER               | 1   | 1   | 1   | 1   | 1   |         |





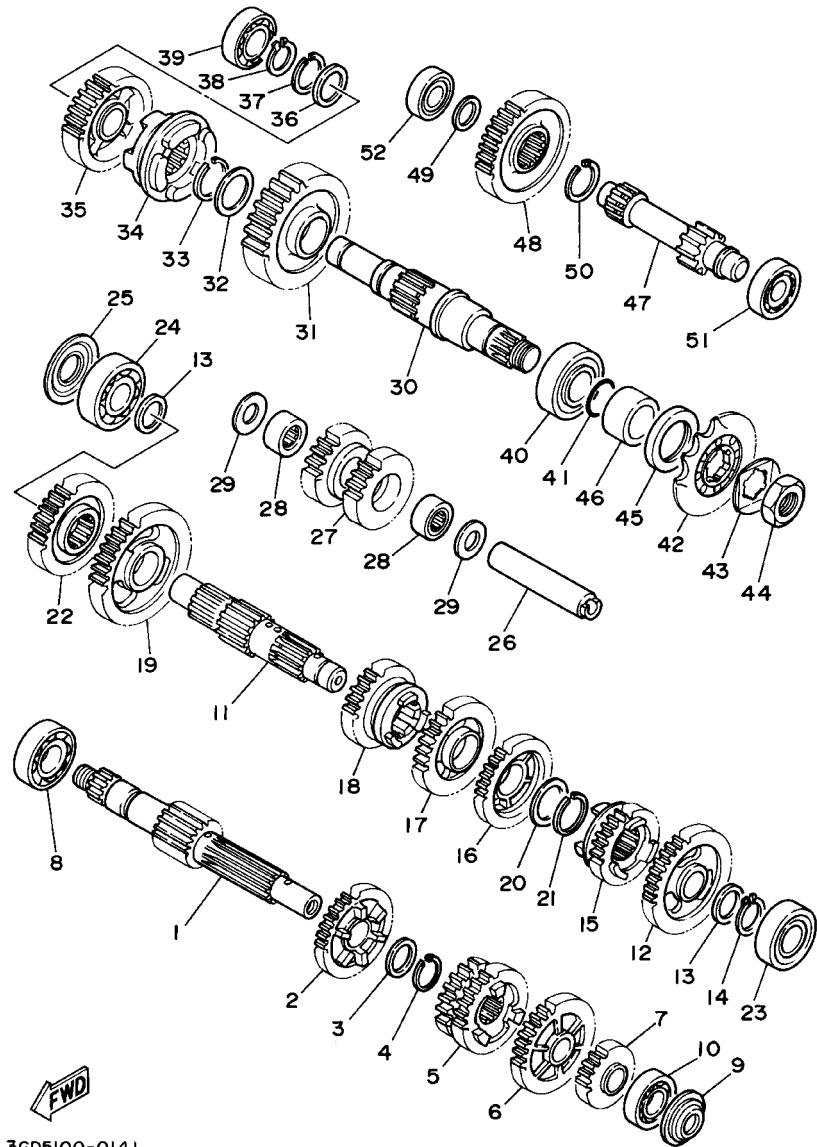
FIG. 14 TRANSMISSION



3GD5100-0141

| REF. NO. | PART NO.     | DESCRIPTION                | USA | CAN | FRA | OOE | JPN | REMARKS |
|----------|--------------|----------------------------|-----|-----|-----|-----|-----|---------|
| 1        | 1UY-17411-01 | AXLE, MAIN                 | 1   | 1   | 1   | 1   | 1   |         |
| 2        | 1UY-17151-00 | GEAR, 5TH PINION (28T)     | 1   | 1   | 1   | 1   | 1   |         |
| 3        | 90209-18208  | WASHER                     | 1   | 1   | 1   | 1   | 1   |         |
| 4        | 93410-22039  | CIRCLIP                    | 1   | 1   | 1   | 1   | 1   |         |
| 5        | 1UY-17131-00 | GEAR, 3RD PINION (23T/26T) | 1   | 1   | 1   | 1   | 1   |         |
| 6        | 1UY-17161-01 | GEAR, 6TH PINION (29T)     | 1   | 1   | 1   | 1   | 1   |         |
| 7        | 1UY-17121-00 | GEAR, 2ND PINION (20T)     | 1   | 1   | 1   | 1   | 1   |         |
| 8        | 93306-27202  | BEARING                    | 1   | 1   | 1   | 1   | 1   |         |
| 9        | 93104-17094  | OIL SEAL                   | 1   | 1   | 1   | 1   | 1   |         |
| 10       | 93306-20301  | BEARING                    | 1   | 1   | 1   | 1   | 1   |         |
| 11       | 1UY-17421-01 | AXLE, DRIVE                | 1   | 1   | 1   | 1   | 1   |         |
| 12       | 1UY-17221-00 | GEAR, 2ND WHEEL (33T)      | 1   | 1   | 1   | 1   | 1   |         |
| 13       | 90201-203E7  | WASHER, PLATE              | 2   | 2   | 2   | 2   | 2   |         |
| 14       | 93410-20038  | CIRCLIP                    | 1   | 1   | 1   | 1   | 1   |         |
| 15       | 1UY-17261-00 | GEAR, 6TH WHEEL (23T)      | 1   | 1   | 1   | 1   | 1   |         |
| 16       | 1UY-17241-00 | GEAR, 4TH WHEEL (27T)      | 1   | 1   | 1   | 1   | 1   |         |
| 17       | 1UY-17231-01 | GEAR, 3RD WHEEL (29T)      | 1   | 1   | 1   | 1   | 1   |         |
| 18       | 1UY-17251-00 | GEAR, 5TH WHEEL (25T)      | 1   | 1   | 1   | 1   | 1   |         |
| 19       | 1UY-17211-00 | GEAR, 1ST WHEEL (36T)      | 1   | 1   | 1   | 1   | 1   |         |
| 20       | 90201-256E6  | WASHER, PLATE (T=0.9)      | 1   | 1   | 1   | 1   | 1   |         |
| 21       | 93440-25084  | CIRCLIP                    | 1   | 1   | 1   | 1   | 1   |         |
| 22       | 1UY-17123-00 | GEAR, HIGH PINION (27T)    | 1   | 1   | 1   | 1   | 1   |         |
| 23       | 93306-20401  | BEARING (B6204)            | 1   | 1   | 1   | 1   | 1   |         |
| 24       | 93306-30424  | BEARING (B6304A3)          | 1   | 1   | 1   | 1   | 1   |         |
| 25       | 93104-20068  | OIL SEAL                   | 1   | 1   | 1   | 1   | 1   |         |
| 26       | 1UY-17432-01 | AXLE, IDLE                 | 1   | 1   | 1   | 1   | 1   |         |
| 27       | 1UY-17223-01 | GEAR, HIGH WHEEL (18T/20T) | 1   | 1   | 1   | 1   | 1   |         |

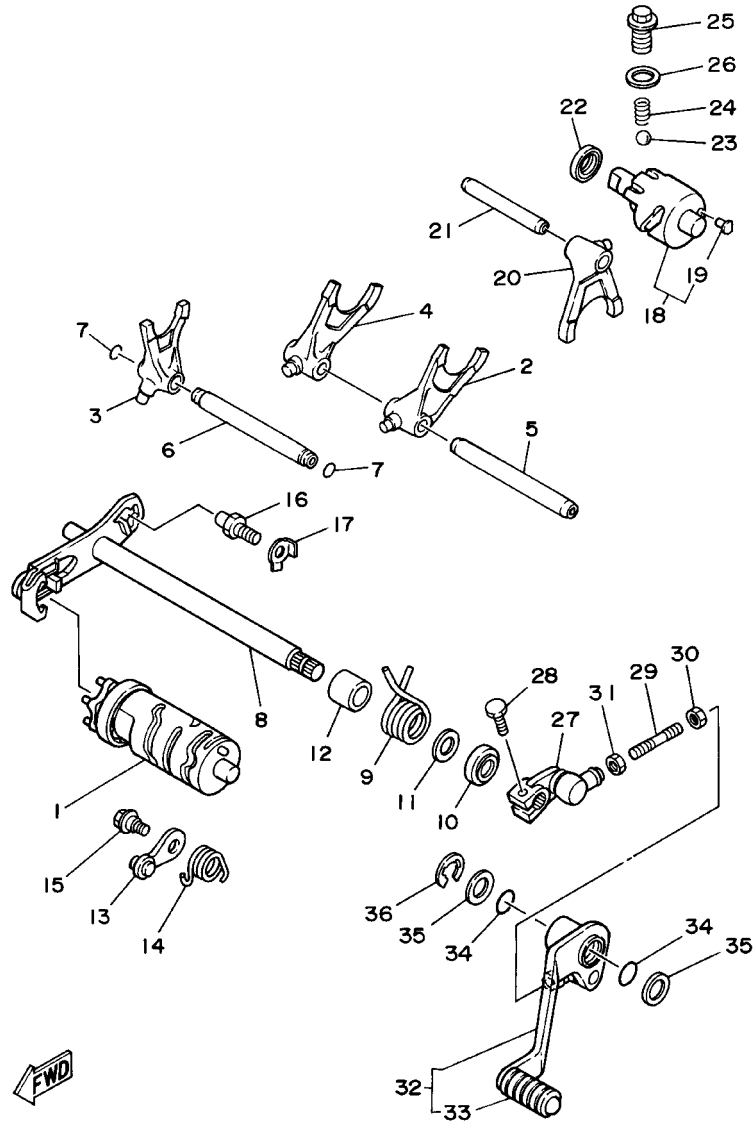
FIG. 14 TRANSMISSION



3GD5100-0141

| REF. NO. | PART NO.     | DESCRIPTION                    | USA | CAN | FRA | OOE | JPN | REMARKS |
|----------|--------------|--------------------------------|-----|-----|-----|-----|-----|---------|
| 28       | 93311-51554  | BALL BEARING                   | 2   | 2   | 2   | 2   | 2   |         |
| 29       | 90201-150U6  | WASHER, PLATE                  | 2   | 2   | 2   | 2   | 2   |         |
| 30       | 1UY-17523-00 | SHAFT                          | 1   | 1   | 1   | 1   | 1   |         |
| 31       | 1UY-17253-00 | GEAR, REVERSE WHEEL 2 (33T)    | 1   | 1   | 1   | 1   | 1   |         |
| 32       | 90201-28665  | WASHER, PLATE                  | 1   | 1   | 1   | 1   | 1   |         |
| 33       | 93440-28062  | CIRCLIP                        | 1   | 1   | 1   | 1   | 1   |         |
| 34       | 1UY-17285-00 | CLUTCH, DOG                    | 1   | 1   | 1   | 1   | 1   |         |
| 35       | 1UY-17582-00 | GEAR, MIDDLE DRIVE (29T)       | 1   | 1   | 1   | 1   | 1   |         |
| 36       | 90201-22793  | WASHER, PLATE                  | 1   | 1   | 1   | 1   | 1   |         |
| 37       | 93410-22039  | CIRCLIP                        | 1   | 1   | 1   | 1   | 1   |         |
| 38       | 93410-20038  | CIRCLIP                        | 1   | 1   | 1   | 1   | 1   |         |
| 39       | 93306-00431  | BEARING                        | 1   | 1   | 1   | 1   | 1   |         |
| 40       | 93306-20501  | BEARING (B6205)                | 1   | 1   | 1   | 1   | 1   |         |
| 41       | 93210-22164  | O-RING                         | 1   | 1   | 1   | 1   | 1   |         |
| 42       | 93834-13030  | SPROCKET,DRIVE 13T(23X1746130) | 1   | 1   | 1   | 1   | 1   |         |
| 43       | 90215-21239  | WASHER, LOCK                   | 1   | 1   | 1   | 1   | 1   |         |
| 44       | 90179-20255  | NUT                            | 1   | 1   | 1   | 1   | 1   |         |
| 45       | 93102-35393  | OIL SEAL                       | 1   | 1   | 1   | 1   | 1   |         |
| 46       | 90387-257N4  | COLLAR                         | 1   | 1   | 1   | 1   | 1   |         |
| 47       | 1UY-17431-00 | AXLE, COUNTER                  | 1   | 1   | 1   | 1   | 1   |         |
| 48       | 1UY-17243-00 | GEAR, REVERSE WHEEL 1 (33T)    | 1   | 1   | 1   | 1   | 1   |         |
| 49       | 90201-17255  | WASHER, PLATE                  | 1   | 1   | 1   | 1   | 1   |         |
| 50       | 93440-25084  | CIRCLIP                        | 1   | 1   | 1   | 1   | 1   |         |
| 51       | 93306-20301  | BEARING                        | 1   | 1   | 1   | 1   | 1   |         |
| 52       | 93306-00308  | BEARING (B6003)                | 1   | 1   | 1   | 1   | 1   |         |

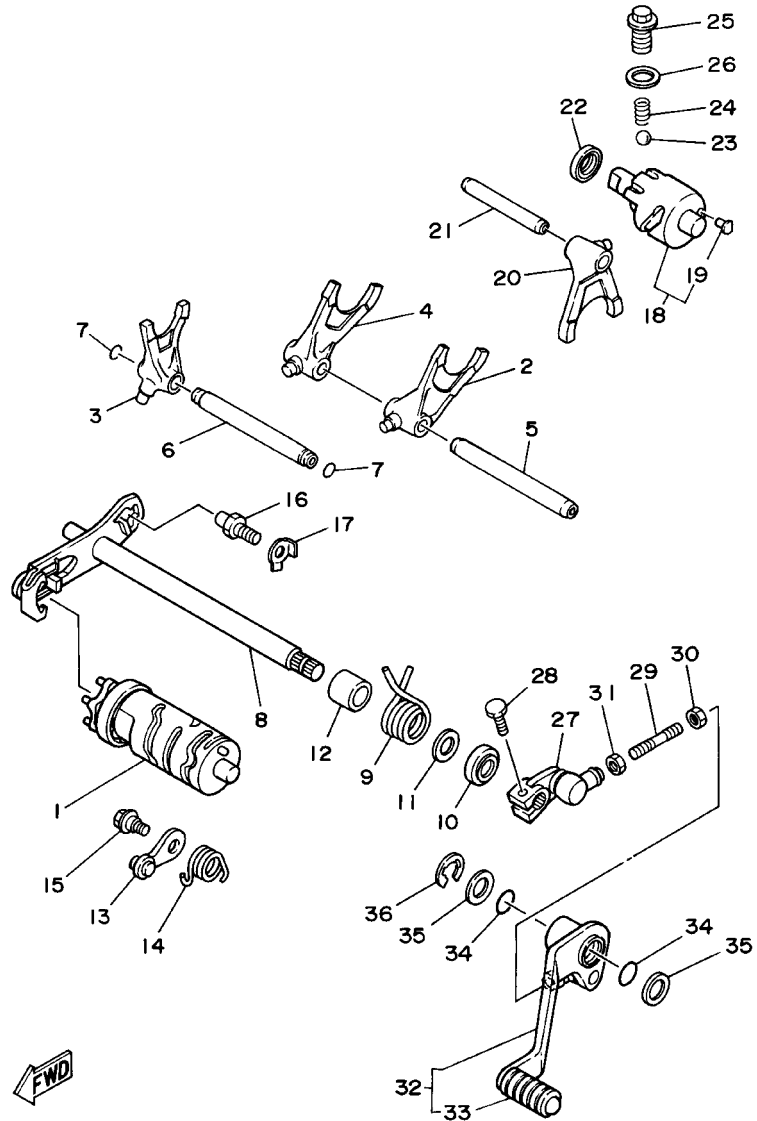
FIG. 15 SHIFT CAM. FORK



3GD1110-9150

| REF. NO. | PART NO.     | DESCRIPTION             | USA | CAN | FRA | OOE | JPN | REMARKS |
|----------|--------------|-------------------------|-----|-----|-----|-----|-----|---------|
| 1        | 1UY-18540-00 | SHIFT CAM ASSY          | 1   | 1   | 1   | 1   | 1   |         |
| 2        | 1YW-18511-00 | FORK, SHIFT 1           | 1   | 1   | 1   | 1   | 1   |         |
| 3        | 4GB-18512-00 | FORK, SHIFT 2           | 1   | 1   | 1   | 1   | 1   |         |
| 4        | 1UY-18513-00 | FORK, SHIFT 3           | 1   | 1   | 1   | 1   | 1   |         |
| 5        | 1UY-18531-00 | BAR, SHIFT FORK GUIDE 1 | 1   | 1   | 1   | 1   | 1   |         |
| 6        | 4GB-18531-00 | BAR, SHIFT FORK GUIDE 1 | 1   | 1   | 1   | 1   | 1   |         |
| 7        | 93210-07590  | O-RING                  | 2   | 2   | 2   | 2   | 2   |         |
| 8        | 1UY-18101-01 | SHIFT SHAFT ASSY        | 1   | 1   | 1   | 1   | 1   |         |
| 9        | 90508-32711  | SPRING, TORSION         | 1   | 1   | 1   | 1   | 1   |         |
| 10       | 93102-14209  | OIL SEAL                | 1   | 1   | 1   | 1   | 1   |         |
| 11       | 90201-14691  | WASHER, PLATE           | 1   | 1   | 1   | 1   | 1   |         |
| 12       | 90560-14284  | SPACER                  | 1   | 1   | 1   | 1   | 1   |         |
| 13       | 1UY-18140-00 | STOPPER LEVER ASSY      | 1   | 1   | 1   | 1   | 1   |         |
| 14       | 90508-25712  | SPRING, TORSION         | 1   | 1   | 1   | 1   | 1   |         |
| 15       | 90109-063F7  | BOLT                    | 1   | 1   | 1   | 1   | 1   |         |
| 16       | 4G0-18127-00 | STOPPER, SCREW          | 1   | 1   | 1   | 1   | 1   |         |
| 17       | 90215-08260  | WASHER, LOCK            | 1   | 1   | 1   | 1   | 1   |         |
| 18       | 3GD-18420-00 | SHIFTER ASSY            | 1   | 1   | 1   | 1   | 1   |         |
| 19       | 3GH-18542-00 | .POINT, NEUTRAL         | 1   | 1   | 1   | 1   | 1   |         |
| 20       | 1UY-18311-00 | FORK, SHIFT 1           | 1   | 1   | 1   | 1   | 1   |         |
| 21       | 2A6-18531-00 | BAR, SHIFT FORK GUIDE 1 | 1   | 1   | 1   | 1   | 1   |         |
| 22       | 93102-15212  | OIL SEAL                | 1   | 1   | 1   | 1   | 1   |         |
| 23       | 93503-08007  | BALL                    | 1   | 1   | 1   | 1   | 1   |         |
| 24       | 90501-10353  | SPRING, COMPRESSION     | 1   | 1   | 1   | 1   | 1   |         |
| 25       | 90105-14367  | BOLT, FLANGE            | 1   | 1   | 1   | 1   | 1   |         |
| 26       | 90430-14194  | GASKET                  | 1   | 1   | 1   | 1   | 1   |         |
| 27       | 1UY-18112-01 | ARM, SHIFT              | 1   | 1   | 1   | 1   | 1   |         |

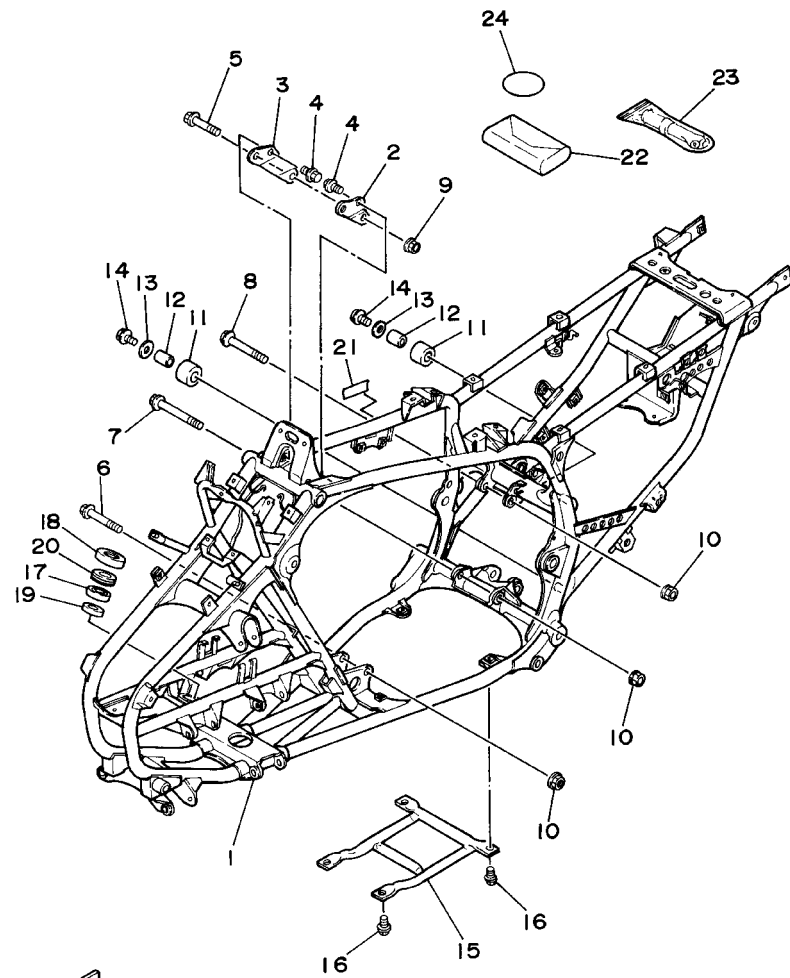
FIG. 15 SHIFT CAM. FORK



3GD1110-9150

| REF. NO. | PART NO.     | DESCRIPTION         | USA | CAN | FRA | OOE | JPN | REMARKS |
|----------|--------------|---------------------|-----|-----|-----|-----|-----|---------|
| 28       | 97017-06020  | BOLT                | 1   | 1   | 1   | 1   | 1   |         |
| 29       | 2XK-18115-00 | ROD, SHIFT          | 1   | 1   | 1   | 1   | 1   |         |
| 30       | 90170-06289  | NUT                 | 1   | 1   | 1   | 1   | 1   |         |
| 31       | 95307-06700  | NUT                 | 1   | 1   | 1   | 1   | 1   |         |
| 32       | 1UY-18110-00 | SHIFT PEDAL ASSY    | 1   | 1   | 1   | 1   | 1   |         |
| 33       | 132-18113-01 | .COVER, SHIFT PEDAL | 1   | 1   | 1   | 1   | 1   |         |
| 34       | 93210-15414  | O-RING              | 2   | 2   | 2   | 2   | 2   |         |
| 35       | 90201-15797  | WASHER, PLATE       | 2   | 2   | 2   | 2   | 2   |         |
| 36       | 93430-12008  | CIRCLIP             | 1   | 1   | 1   | 1   | 1   |         |

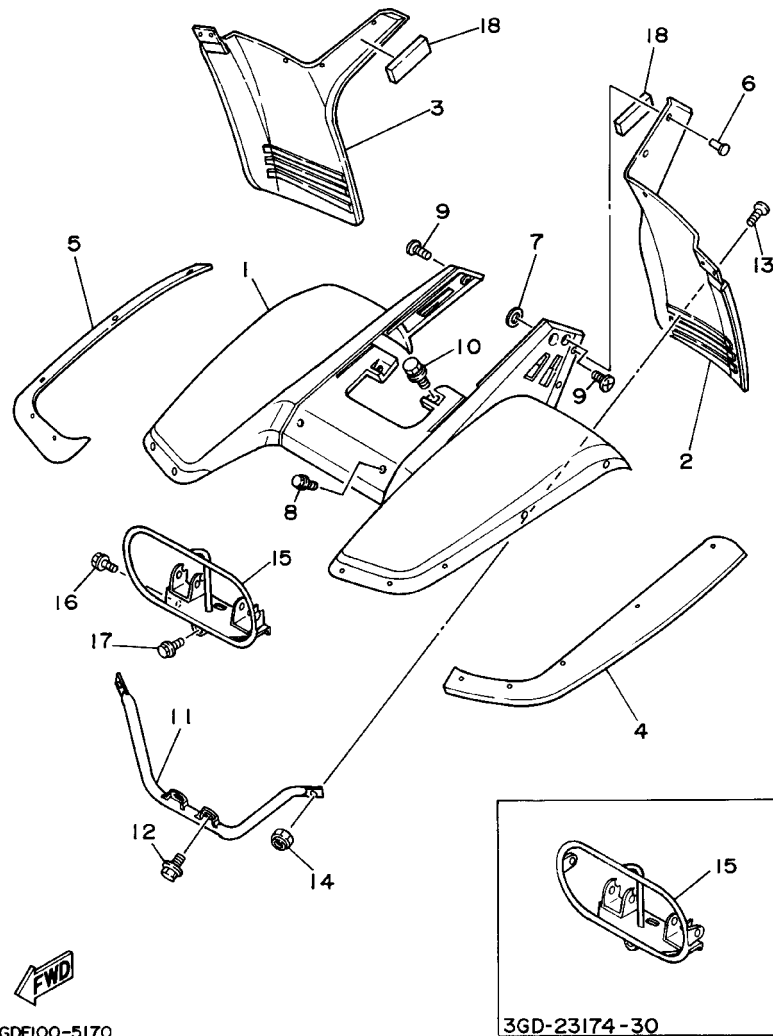
FIG. 16 FRAME



  
3GDF100-5160

| REF. NO. | PART NO.        | DESCRIPTION       | USA | CAN | FRA | OOE | JPN | REMARKS |
|----------|-----------------|-------------------|-----|-----|-----|-----|-----|---------|
| 1        | 3GD-21110-22-35 | FRAME COMP.       | 1   | 1   | 1   | 1   | 1   | SL      |
| 2        | 1UY-21315-00    | STAY, ENGINE 2    | 1   | 1   | 1   | 1   | 1   |         |
| 3        | 1UY-21316-00    | STAY, ENGINE 3    | 1   | 1   | 1   | 1   | 1   |         |
| 4        | 95817-08012     | BOLT, FLANGE      | 4   | 4   | 4   | 4   | 4   |         |
| 5        | 95817-08055     | BOLT, FLANGE      | 1   | 1   | 1   | 1   | 1   |         |
| 6        | 90105-10323     | BOLT, FLANGE      | 1   | 1   | 1   | 1   | 1   |         |
| 7        | 90105-10409     | BOLT, FLANGE      | 1   | 1   | 1   | 1   | 1   |         |
| 8        | 90105-10480     | BOLT, FLANGE      | 1   | 1   | 1   | 1   | 1   |         |
| 9        | 90179-08577     | NUT               | 1   | 1   | 1   | 1   | 1   |         |
| 10       | 95607-10200     | NUT, U FLANGE     | 3   | 3   | 3   | 3   | 3   |         |
| 11       | 30X-22178-00    | TENSIONER         | 2   | 2   | 2   | 2   | 2   |         |
| 12       | 4V4-22184-00    | BUSH              | 2   | 2   | 2   | 2   | 2   |         |
| 13       | 90201-08753     | WASHER, PLATE     | 2   | 2   | 2   | 2   | 2   |         |
| 14       | 95827-08012     | BOLT, FLANGE      | 2   | 2   | 2   | 2   | 2   |         |
| 15       | 1UY-21471-00    | PROTECTOR, ENGINE | 1   | 1   | 1   | 1   | 1   |         |
| 16       | 95827-08012     | BOLT, FLANGE      | 4   | 4   | 4   | 4   | 4   |         |
| 17       | 93306-20331     | BEARING           | 1   | 1   | 1   | 1   | 1   |         |
| 18       | 93102-25081     | OIL SEAL          | 1   | 1   | 1   | 1   | 1   |         |
| 19       | 93102-25099     | OIL SEAL          | 1   | 1   | 1   | 1   | 1   |         |
| 20       | 2GU-23872-00    | HOLDER, BEARING   | 1   | 1   | 1   | 1   | 1   |         |
| 21       | 1UY-26137-00    | LABEL             | 1   | 1   | 1   | 1   | 1   |         |
| 22       | 2XK-28100-00    | TOOL KIT          | 1   | 1   | 1   | 1   | 1   |         |
| 23       | 1NV-2811A-01    | GAUGE, AIR        | 1   | 1   | 1   | 1   | 1   |         |
| 24       | 93210-41041     | O-RING            | 1   | 1   | 1   | 1   | 1   |         |

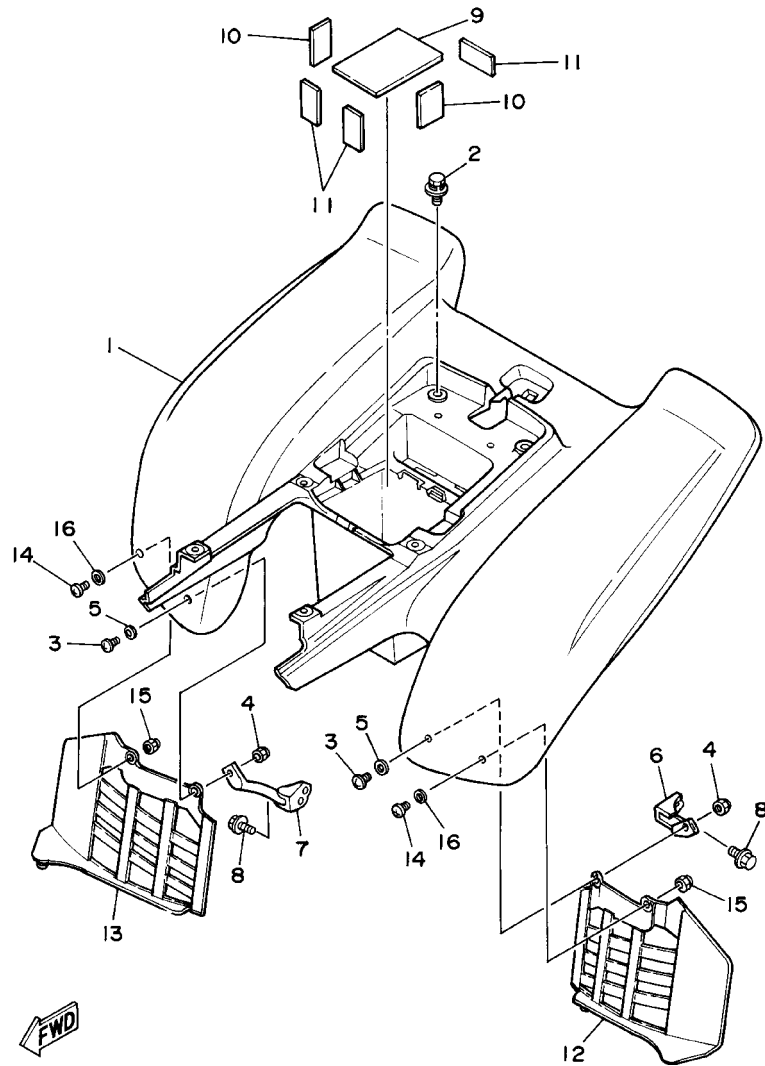
FIG. 17 FRONT FENDER



**FWD**  
3GDF100-5170

| REF. NO. | PART NO.     | DESCRIPTION               | USA | CAN | FRA | OOE | JPN | REMARKS      |
|----------|--------------|---------------------------|-----|-----|-----|-----|-----|--------------|
| 1        | 3GD-W2151-F2 | FRONT FENDER COMP.        | 1   |     |     | 1   | 1   | UR FOR DPBSE |
|          | 3GD-W2151-G2 | FRONT FENDER COMP.        | 1   |     |     | 1   |     | UR FOR YB    |
|          | 3GD-W215C-F2 | FRONT FENDER COMP.2       |     | 1   |     |     |     | UR FOR DPBSE |
|          | 3GD-W215C-G2 | FRONT FENDER COMP.2       |     | 1   |     |     |     | UR FOR YB    |
|          | 3GD-W215B-F3 | FRONT FENDER COMP. 2      |     |     | 1   |     |     | UR FOR DPBSE |
|          | 3GD-W215B-G3 | FRONT FENDER COMP. 2      |     |     | 1   |     |     | UR FOR YB    |
| 2        | 3GD-W2153-11 | FLAP ASSY1                | 1   | 1   |     | 1   |     |              |
|          | 3GD-W2153-21 | FLAP ASSY1                |     |     | 1   |     |     |              |
|          | 3GD-W2154-11 | FLAP ASSY1                |     |     |     |     | 1   |              |
| 3        | 1UY-21561-00 | FLAP 2                    | 1   |     | 1   | 1   | 1   |              |
|          | 3GD-W2156-D1 | FLAP ASSY2                |     | 1   |     |     |     |              |
| 4        | 1UY-21551-00 | FENDER, OVER              | 1   | 1   | 1   | 1   | 1   |              |
| 5        | 1UY-21555-00 | FENDER, OVER 2            | 1   | 1   | 1   | 1   | 1   |              |
| 6        | 90267-48014  | RIVET, BLIND              | 18  | 18  | 18  | 18  | 18  |              |
| 7        | 90201-04325  | WASHER, PLATE             | 18  | 18  | 18  | 18  | 18  |              |
| 8        | 90119-06044  | BOLT, WITH WASHER         | 2   | 2   | 2   | 2   | 2   |              |
| 9        | 90110-05201  | BOLT, HEXAGON SOCKET HEAD | 4   | 4   | 4   | 4   | 4   |              |
| 10       | 90119-06044  | BOLT, WITH WASHER         | 2   | 2   | 2   | 2   | 2   |              |
| 11       | 1UY-21513-00 | STAY, FENDER 1            | 1   | 1   | 1   | 1   | 1   |              |
| 12       | 95827-06010  | BOLT, FLANGE              | 2   | 2   | 2   | 2   | 2   |              |
| 13       | 90149-06184  | SCREW, BINDING            | 2   | 2   | 2   | 2   | 2   |              |
| 14       | 95607-06100  | NUT, U                    | 2   | 2   | 2   | 2   | 2   |              |
| 15       | 3GD-23174-20 | STAY, HEADLIGHT           | 1   |     |     | 1   | 1   |              |
|          | 3GD-23174-30 | STAY, HEADLIGHT           |     | 1   | 1   |     |     |              |
| 16       | 95827-06010  | BOLT, FLANGE              | 2   | 2   | 2   | 2   | 2   |              |
| 17       | 95827-08012  | BOLT, FLANGE              | 1   | 1   | 1   | 1   | 1   |              |
| 18       | 1UY-21747-00 | DAMPER                    | 2   | 2   | 2   | 2   | 2   |              |

FIG. 18 REAR FENDER

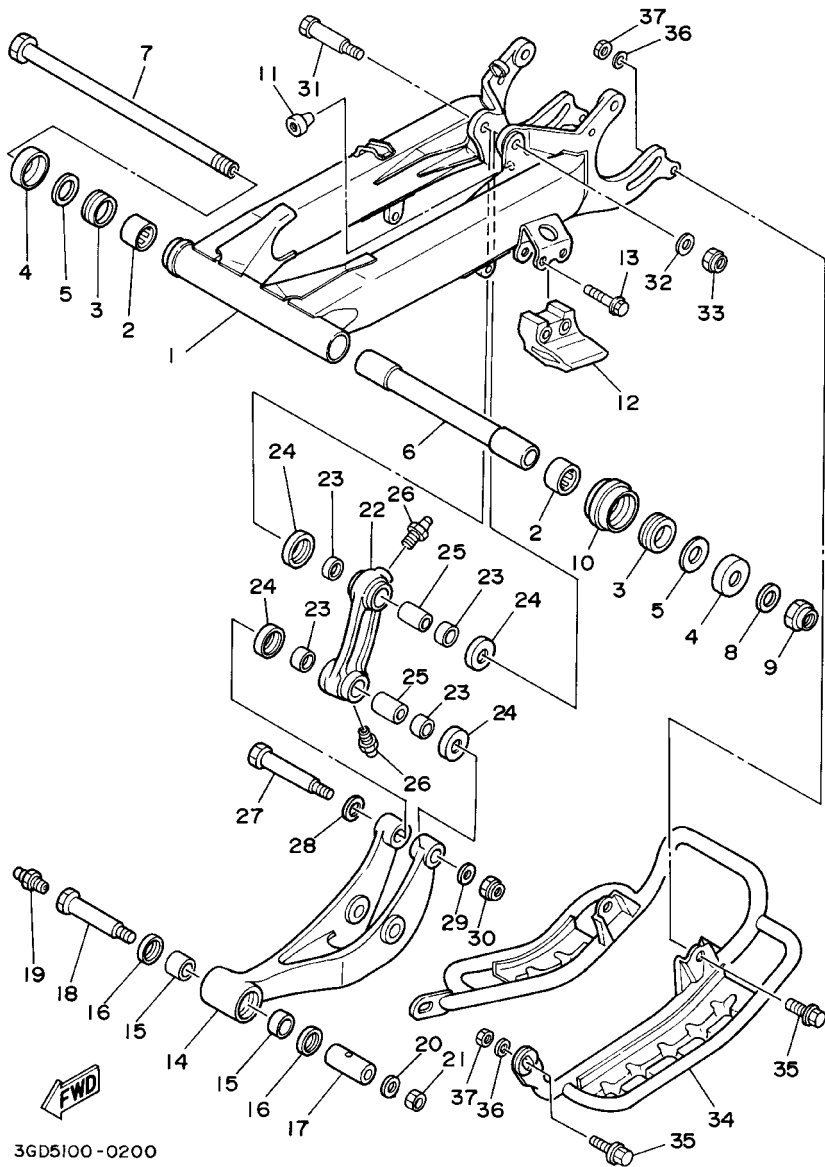


| REF. NO. | PART NO.     | DESCRIPTION        | USA | CAN | FRA | OOE | JPN | REMARKS      |
|----------|--------------|--------------------|-----|-----|-----|-----|-----|--------------|
| 1        | 3GD-W2161-F1 | REAR FENDER COMP.  | 1   |     | 1   | 1   | 1   | UR FOR DPBSE |
|          | 3GD-W2161-G0 | REAR FENDER COMP.  | 1   |     | 1   | 1   |     | UR FOR YB    |
|          | 3GD-W216C-F1 | REAR FENDER COMP.2 |     | 1   |     |     |     | UR FOR DPBSE |
|          | 3GD-W216C-G0 | REAR FENDER COMP.2 |     | 1   |     |     |     | UR FOR YB    |
| 2        | 90119-06056  | BOLT, WITH WASHER  | 8   | 8   | 8   | 8   | 8   |              |
| 3        | 90150-06037  | SCREW, ROUND HEAD  | 2   | 2   | 2   | 2   | 2   |              |
| 4        | 95607-06100  | NUT, U             | 2   | 2   | 2   | 2   | 2   |              |
| 5        | 92907-06200  | WASHER             | 2   | 2   | 2   | 2   | 2   |              |
| 6        | 1UY-21613-00 | STAY, FENDER 1     | 1   | 1   | 1   | 1   | 1   |              |
| 7        | 1UY-21614-00 | STAY, FENDER 2     | 1   | 1   | 1   | 1   | 1   |              |
| 8        | 95827-06010  | BOLT, FLANGE       | 2   | 2   | 2   | 2   | 2   |              |
| 9        | 1UY-21639-00 | DAMPER 2           | 1   | 1   | 1   | 1   | 1   |              |
| 10       | 29W-82123-00 | SEAT, BATTERY      | 2   | 2   | 2   | 2   | 2   |              |
| 11       | 1UY-21638-00 | DAMPER 1           | 3   | 3   | 3   | 3   | 3   |              |
| 12       | 3GD-21691-00 | FLAP               | 1   | 1   | 1   | 1   | 1   |              |
| 13       | 3GD-21621-00 | FLAP               | 1   | 1   | 1   | 1   | 1   |              |
| 14       | 90149-06306  | SCREW              | 2   | 2   | 2   | 2   | 2   |              |
| 15       | 95607-06100  | NUT, U             | 2   | 2   | 2   | 2   | 2   |              |
| 16       | 92907-06200  | WASHER             | 2   | 2   | 2   | 2   | 2   |              |

36D5100-0180



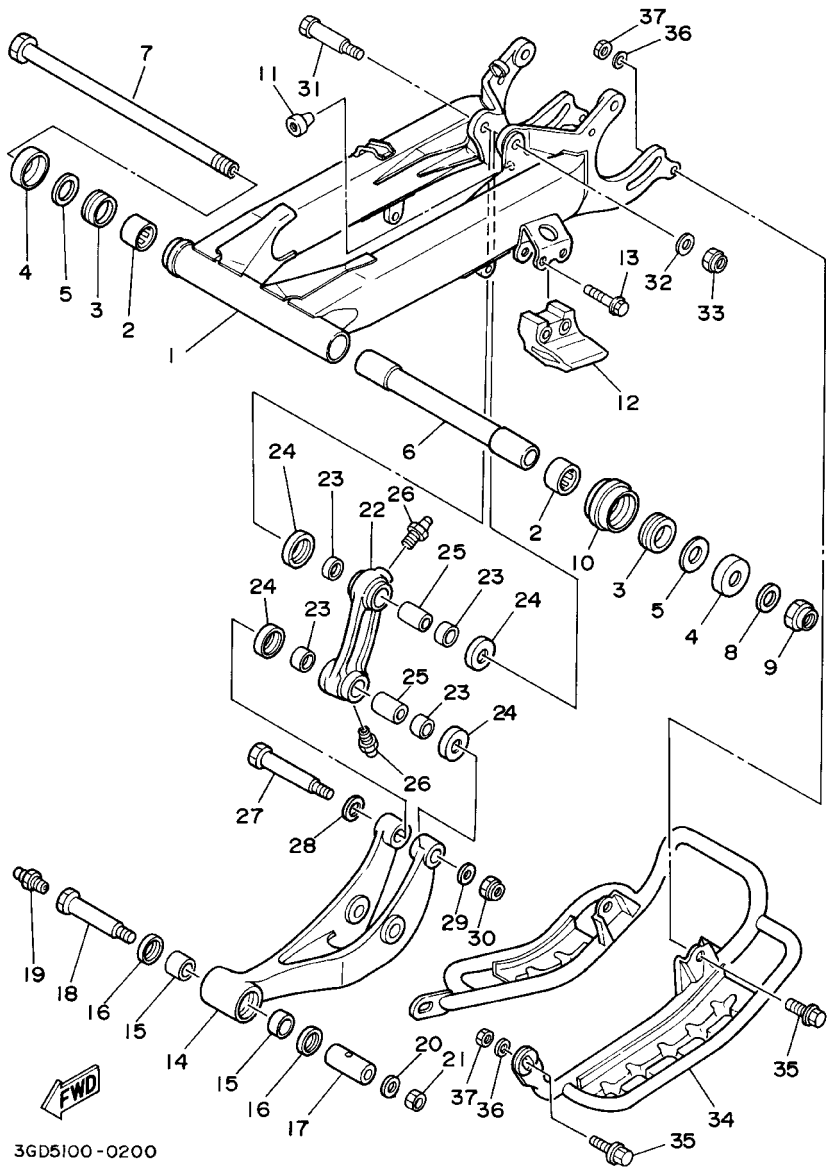




3GD5100-0200

FIG. 20 REAR ARM

| REF. NO. | PART NO.        | DESCRIPTION           | USA | CAN | FRA | OOE | JPN | REMARKS |
|----------|-----------------|-----------------------|-----|-----|-----|-----|-----|---------|
| 1        | 3GD-22110-20-35 | REAR ARM COMP.        | 1   | 1   | 1   | 1   | 1   | SL      |
| 2        | 93317-22237     | BEARING               | 2   | 2   | 2   | 2   | 2   |         |
| 3        | 93108-35004     | OIL SEAL (35-41-8)    | 2   | 2   | 2   | 2   | 2   |         |
| 4        | 2K6-22128-01    | COVER, THRUST 1       | 2   | 2   | 2   | 2   | 2   |         |
| 5        | 90201-244A9     | WASHER, PLATE (2.05T) | 2   | 2   | 2   | 2   | 2   |         |
| 6        | 3GD-22184-00    | BUSH                  | 1   | 1   | 1   | 1   | 1   |         |
| 7        | 1UY-22141-01    | SHAFT, PIVOT          | 1   | 1   | 1   | 1   | 1   |         |
| 8        | 90201-160F6     | WASHER, PLATE         | 1   | 1   | 1   | 1   | 1   |         |
| 9        | 90185-16127     | NUT, SELF-LOCKING     | 1   | 1   | 1   | 1   | 1   |         |
| 10       | 1UY-22151-00    | SEAL, GUARD           | 1   | 1   | 1   | 1   | 1   |         |
| 11       | 4N0-27114-00    | STOPPER, MAIN STAND   | 1   | 1   | 1   | 1   | 1   |         |
| 12       | 38W-22199-00    | SUPPORT, CHAIN        | 1   | 1   | 1   | 1   | 1   |         |
| 13       | 95807-08040     | BOLT, FLANGE          | 2   | 2   | 2   | 2   | 2   |         |
| 14       | 1UY-2217A-00    | ARM, RELAY            | 1   | 1   | 1   | 1   | 1   |         |
| 15       | 90383-20033     | BUSH, FORMED          | 2   | 2   | 2   | 2   | 2   |         |
| 16       | 93109-20076     | OIL SEAL              | 2   | 2   | 2   | 2   | 2   |         |
| 17       | 90387-125N9     | COLLAR                | 1   | 1   | 1   | 1   | 1   |         |
| 18       | 90109-10752     | BOLT                  | 1   | 1   | 1   | 1   | 1   |         |
| 19       | 93700-06004     | NIPPLE, GREASE        | 1   | 1   | 1   | 1   | 1   |         |
| 20       | 90201-10430     | WASHER, PLATE         | 1   | 1   | 1   | 1   | 1   |         |
| 21       | 90185-10120     | NUT, SELF-LOCKING     | 1   | 1   | 1   | 1   | 1   |         |
| 22       | 1UY-2217F-00    | ROD, CONNECTING 1     | 1   | 1   | 1   | 1   | 1   |         |
| 23       | 90383-20032     | BUSH, FORMED          | 4   | 4   | 4   | 4   | 4   |         |
| 24       | 23X-22129-00    | COVER, THRUST 2       | 4   | 4   | 4   | 4   | 4   |         |
| 25       | 90387-125N8     | COLLAR                | 2   | 2   | 2   | 2   | 2   |         |
| 26       | 93700-06004     | NIPPLE, GREASE        | 2   | 2   | 2   | 2   | 2   |         |
| 27       | 90109-102A6     | BOLT                  | 1   | 1   | 1   | 1   | 1   |         |

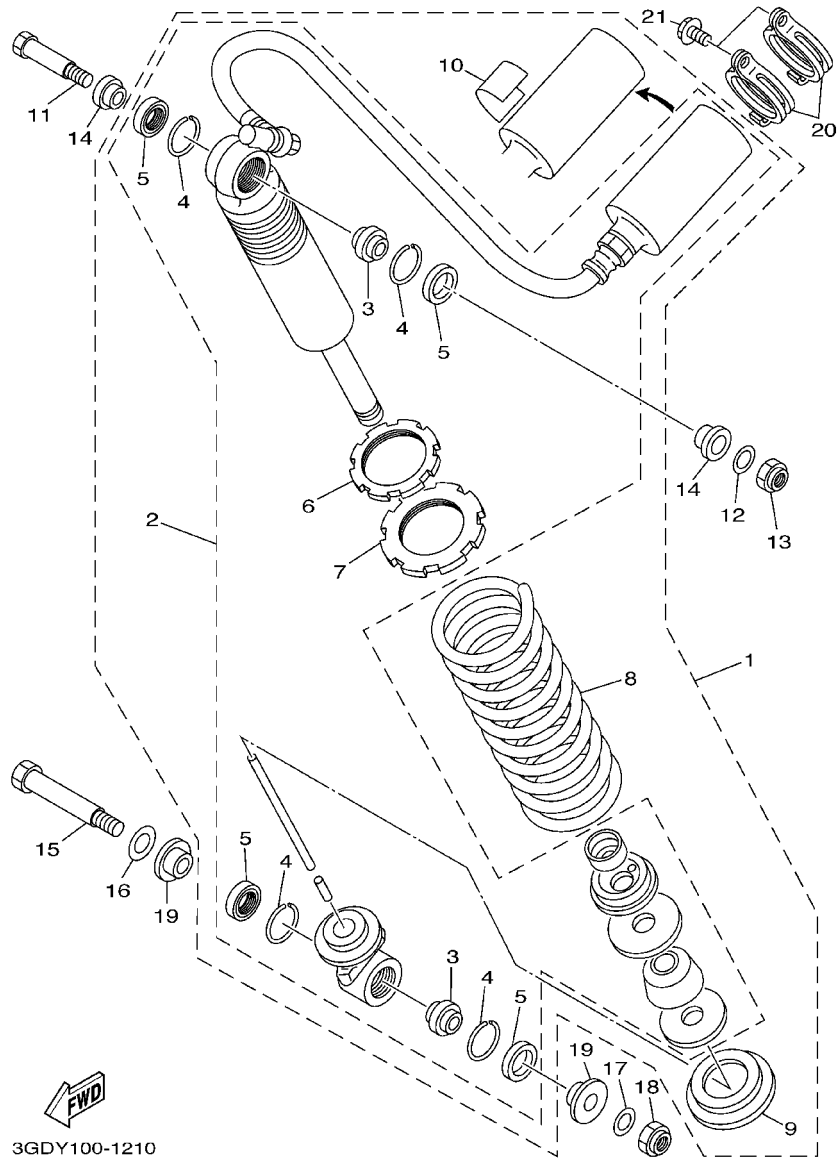


3GD5100-0200

FIG. 20 REAR ARM

| REF. NO. | PART NO.     | DESCRIPTION       | USA | CAN | FRA | OOE | JPN | REMARKS |
|----------|--------------|-------------------|-----|-----|-----|-----|-----|---------|
| 28       | 90201-120E6  | WASHER, PLATE     | 1   | 1   | 1   | 1   | 1   |         |
| 29       | 90201-100E9  | WASHER, PLATE     | 1   | 1   | 1   | 1   | 1   |         |
| 30       | 90185-10120  | NUT, SELF-LOCKING | 1   | 1   | 1   | 1   | 1   |         |
| 31       | 90109-102A7  | BOLT              | 1   | 1   | 1   | 1   | 1   |         |
| 32       | 90201-10430  | WASHER, PLATE     | 1   | 1   | 1   | 1   | 1   |         |
| 33       | 90185-10120  | NUT, SELF-LOCKING | 1   | 1   | 1   | 1   | 1   |         |
| 34       | 3GD-2219X-00 | COVER             | 1   | 1   | 1   | 1   | 1   |         |
| 35       | 95827-08025  | BOLT, FLANGE      | 4   | 4   | 4   | 4   | 4   |         |
| 36       | 92907-08600  | WASHER, PLATE     | 4   | 4   | 4   | 4   | 4   |         |
| 37       | 95607-08100  | NUT, U            | 4   | 4   | 4   | 4   | 4   |         |

**FIG. 21 REAR SUSPENSION**

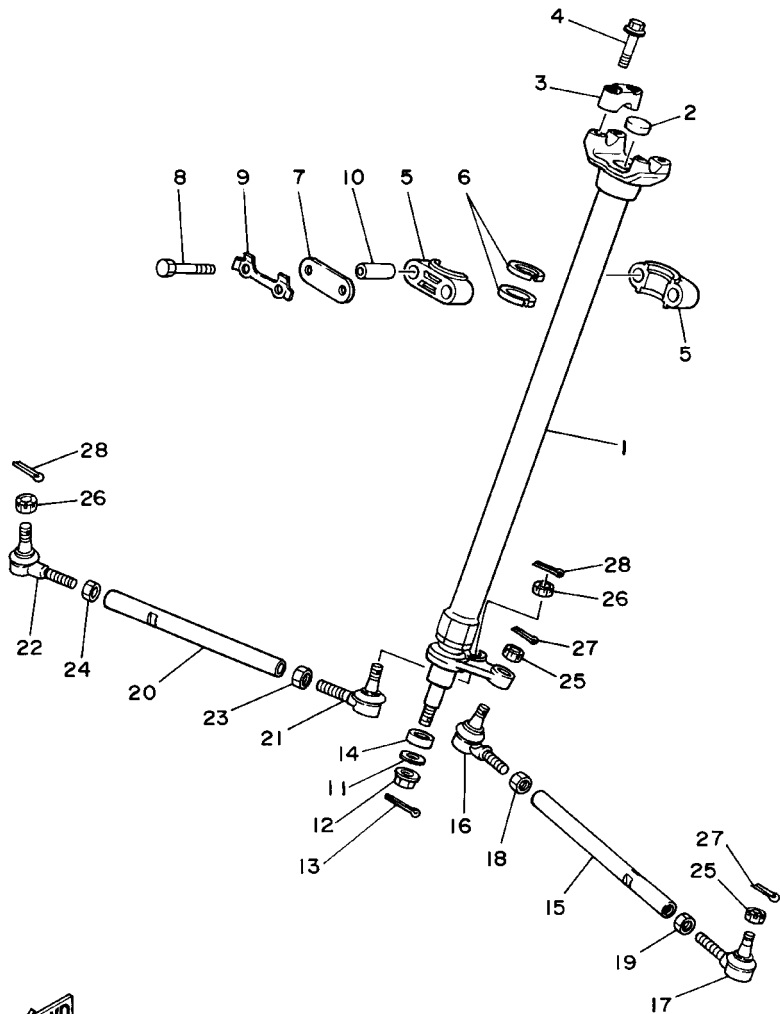


| REF. NO. | PART NO.        | DESCRIPTION               | USA | CAN | FRA | OOE | JPN | REMARKS         |
|----------|-----------------|---------------------------|-----|-----|-----|-----|-----|-----------------|
| 1        | 2XK-22210-10-36 | SHOCK ABSORBER ASSY, REAR | 1   |     |     |     |     | UR WW FOR DPBSE |
|          | 2XK-22210-10-6W | SHOCK ABSORBER ASSY, REAR | 1   |     |     |     |     | UR NTR FOR YB   |
|          | 2XK-22210-20-36 | SHOCK ABSORBER ASSY, REAR |     | 1   |     |     |     | UR WW FOR DPBSE |
|          | 2XK-22210-20-6W | SHOCK ABSORBER ASSY, REAR |     | 1   |     |     |     | UR NTR FOR YB   |
|          | 2XK-22210-30-36 | SHOCK ABSORBER ASSY, REAR |     |     | 1   | 1   |     | UR WW FOR DPBSE |
|          | 2XK-22210-30-6W | SHOCK ABSORBER ASSY, REAR |     |     | 1   | 1   |     | UR NTR FOR YB   |
|          | 2XK-22210-40-36 | SHOCK ABSORBER ASSY, REAR |     |     |     |     | 1   | WW FOR DPBSE    |
| 2        | 2XK-22201-00    | ..DAMPER SUB ASSY         | 1   | 1   | 1   | 1   | 1   |                 |
| 3        | 93399-99916     | ..BEARING                 | 2   | 2   | 2   | 2   | 2   |                 |
| 4        | 93440-30113     | ..CIRCLIP                 | 4   | 4   | 4   | 4   | 4   |                 |
| 5        | 93104-18077     | ..OIL SEAL                | 4   | 4   | 4   | 4   | 4   |                 |
| 6        | 1RK-22215-00    | ..RING, COVER             | 1   | 1   | 1   | 1   | 1   |                 |
| 7        | 38W-22223-00    | ..SEAT, SPRING LOWER      | 1   | 1   | 1   | 1   | 1   |                 |
| 8        | 38W-22212-10-36 | ..SPRING                  | 1   | 1   | 1   | 1   | 1   | UR WW FOR DPBSE |
|          | 38W-22212-10-6W | ..SPRING                  | 1   | 1   | 1   | 1   | 1   | UR NTR FOR YB   |
| 9        | 22W-22214-01    | ..GUIDE, SPRING 1         | 1   | 1   | 1   | 1   | 1   |                 |
| 10       | 4AA-22259-80    | ..LABEL, WARNING          | 1   |     |     |     |     |                 |
|          | 4AA-22259-70    | ..LABEL, WARNING          |     | 1   |     |     |     |                 |
|          | 4AA-22259-40    | ..LABEL, WARNING          |     |     | 1   | 1   |     |                 |
|          | 4AA-22259-50    | ..LABEL, WARNING          |     |     |     |     | 1   |                 |
| 11       | 90109-10704     | BOLT                      | 1   | 1   | 1   | 1   | 1   |                 |
| 12       | 90201-10430     | WASHER, PLATE             | 1   | 1   | 1   | 1   | 1   |                 |
| 13       | 90185-10120     | NUT, SELF-LOCKING         | 1   | 1   | 1   | 1   | 1   |                 |
| 14       | 90387-127G8     | COLLAR                    | 2   | 2   | 2   | 2   | 2   |                 |
| 15       | 90109-102A6     | BOLT                      | 1   | 1   | 1   | 1   | 1   |                 |
| 16       | 90201-120E6     | WASHER, PLATE             | 1   | 1   | 1   | 1   | 1   |                 |
| 17       | 90201-100E9     | WASHER, PLATE             | 1   | 1   | 1   | 1   | 1   |                 |



FIG. 22 STEERING

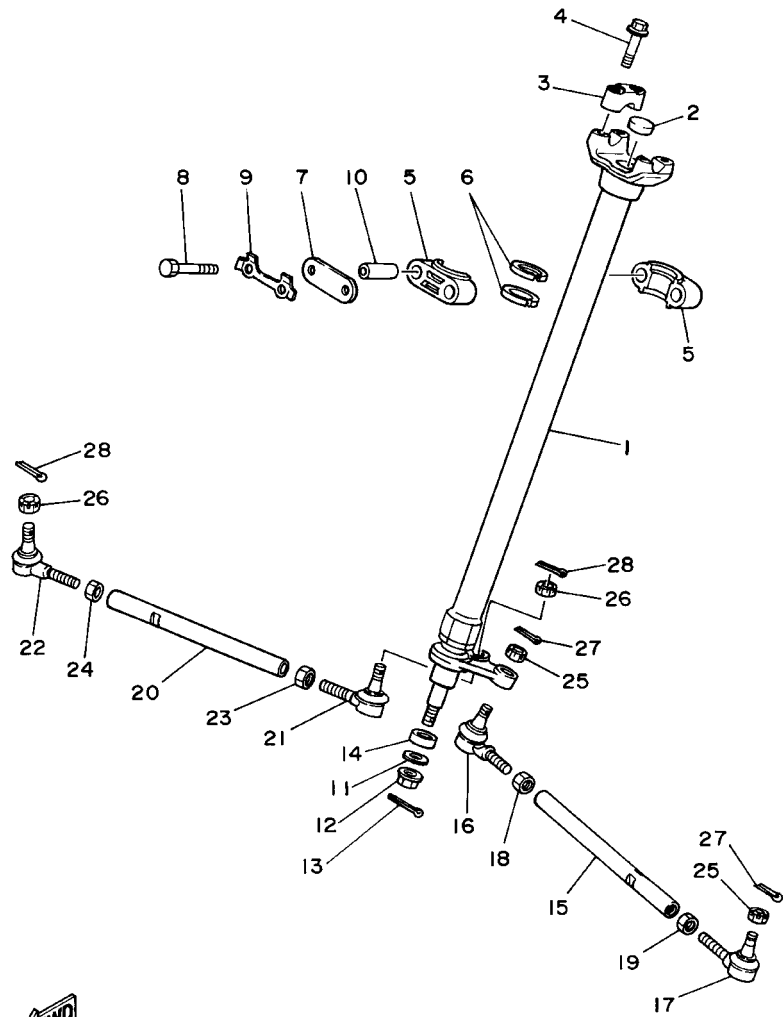
| REF. NO. | PART NO.     | DESCRIPTION             | USA | CAN | FRA | OOE | JPN | REMARKS       |
|----------|--------------|-------------------------|-----|-----|-----|-----|-----|---------------|
| 1        | 3GD-23813-20 | COLUMN, STEERING 2      | 1   | 1   | 1   | 1   | 1   |               |
| 2        | 90336-28053  | PLUG, TAPER             | 1   | 1   | 1   | 1   | 1   |               |
| 3        | 8K1-23814-00 | HOLDER, HANDLE          | 2   | 2   | 2   | 2   | 2   |               |
| 4        | 95827-08035  | BOLT, FLANGE            | 4   | 4   | 4   | 4   | 4   |               |
| 5        | 1UY-23812-00 | PLANE BEARING, STEERING | 2   | 2   | 2   | 2   | 2   |               |
| 6        | 93112-31011  | OIL SEAL                | 2   | 2   | 2   | 2   | 2   |               |
| 7        | 3GD-23868-01 | BRACKET, STEERING LOWER | 1   | 1   | 1   | 1   | 1   |               |
| 8        | 97027-08060  | BOLT                    | 2   | 2   | 2   | 2   | 2   |               |
| 9        | 1UY-23894-01 | WASHER, LOCK 1          | 1   | 1   | 1   | 1   | 1   |               |
| 10       | 90387-090R0  | COLLAR                  | 2   | 2   | 2   | 2   | 2   |               |
| 11       | 90201-10774  | WASHER, PLATE           | 1   | 1   | 1   | 1   | 1   |               |
| 12       | 90185-10115  | NUT, SELF-LOCKING       | 1   | 1   | 1   | 1   | 1   |               |
| 13       | 91401-20020  | PIN, COTTER             | 1   | 1   | 1   | 1   | 1   |               |
| 14       | 90387-176R6  | COLLAR                  | 1   | 1   | 1   | 1   | 1   |               |
| 15       | 3GD-23831-00 | ROD, TIE                | 1   | 1   | 1   | 1   | 1   |               |
| 16       | 1UY-23841-01 | JOINT, UNIVERSAL 1      | 1   | 1   | 1   | 1   | 1   |               |
| 17       | 1UY-23845-01 | JOINT, UNIVERSAL 2      | 1   | 1   | 1   | 1   | 1   |               |
| 18       | 95307-10700  | NUT                     | 1   | 1   | 1   | 1   | 1   |               |
| 19       | 90170-10186  | NUT                     | 1   | 1   | 1   | 1   | 1   | (L.H. THREAD) |
| 20       | 3GD-23831-00 | ROD, TIE                | 1   | 1   | 1   | 1   | 1   |               |
| 21       | 1UY-23841-01 | JOINT, UNIVERSAL 1      | 1   | 1   | 1   | 1   | 1   |               |
| 22       | 1UY-23845-01 | JOINT, UNIVERSAL 2      | 1   | 1   | 1   | 1   | 1   |               |
| 23       | 95307-10700  | NUT                     | 1   | 1   | 1   | 1   | 1   |               |
| 24       | 90170-10186  | NUT                     | 1   | 1   | 1   | 1   | 1   | (L.H. THREAD) |
| 25       | 90171-10046  | NUT, CASTLE             | 2   | 2   | 2   | 2   | 2   |               |
| 26       | 90171-10046  | NUT, CASTLE             | 2   | 2   | 2   | 2   | 2   |               |
| 27       | 91401-20020  | PIN, COTTER             | 2   | 2   | 2   | 2   | 2   |               |



3GDK100-7220

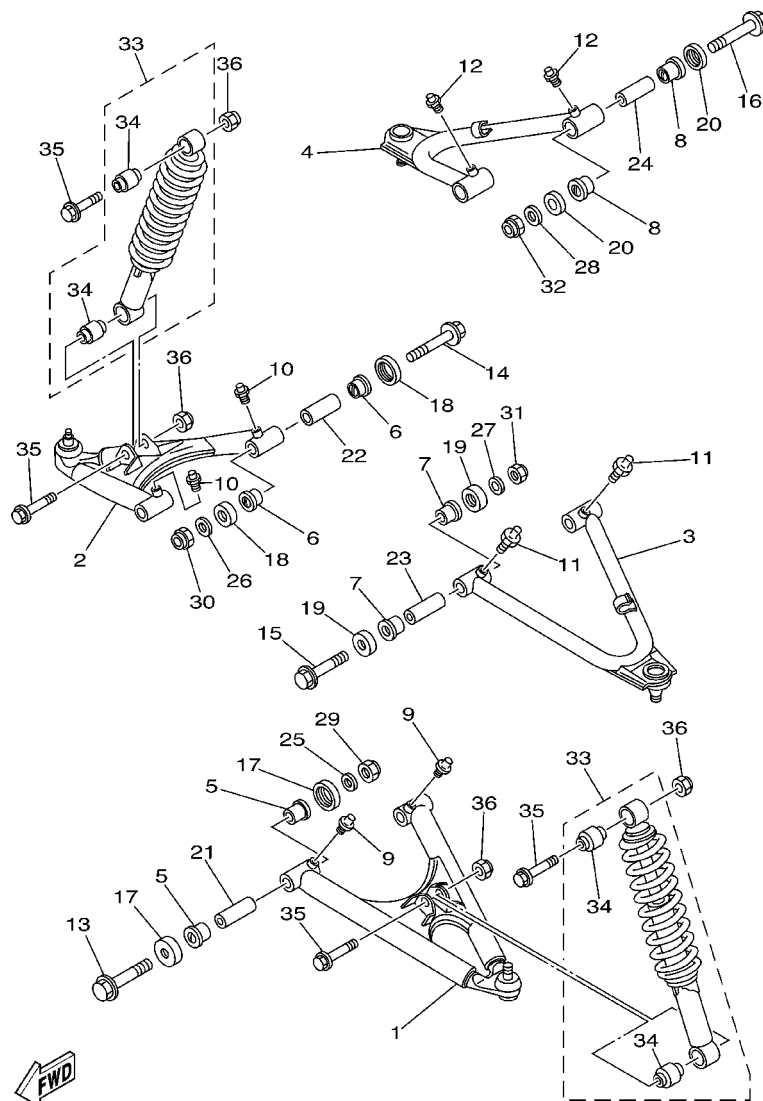
FIG. 22 STEERING

| REF. NO. | PART NO.    | DESCRIPTION | USA | CAN | FRA | OOE | JPN | REMARKS |
|----------|-------------|-------------|-----|-----|-----|-----|-----|---------|
| 28       | 91401-20020 | PIN, COTTER | 2   | 2   | 2   | 2   | 2   |         |
| -----    |             |             |     |     |     |     |     |         |
| -----    |             |             |     |     |     |     |     |         |
| -----    |             |             |     |     |     |     |     |         |
| -----    |             |             |     |     |     |     |     |         |
| -----    |             |             |     |     |     |     |     |         |
| -----    |             |             |     |     |     |     |     |         |
| -----    |             |             |     |     |     |     |     |         |
| -----    |             |             |     |     |     |     |     |         |
| -----    |             |             |     |     |     |     |     |         |
| -----    |             |             |     |     |     |     |     |         |



**FWD**  
3GDK100-7220

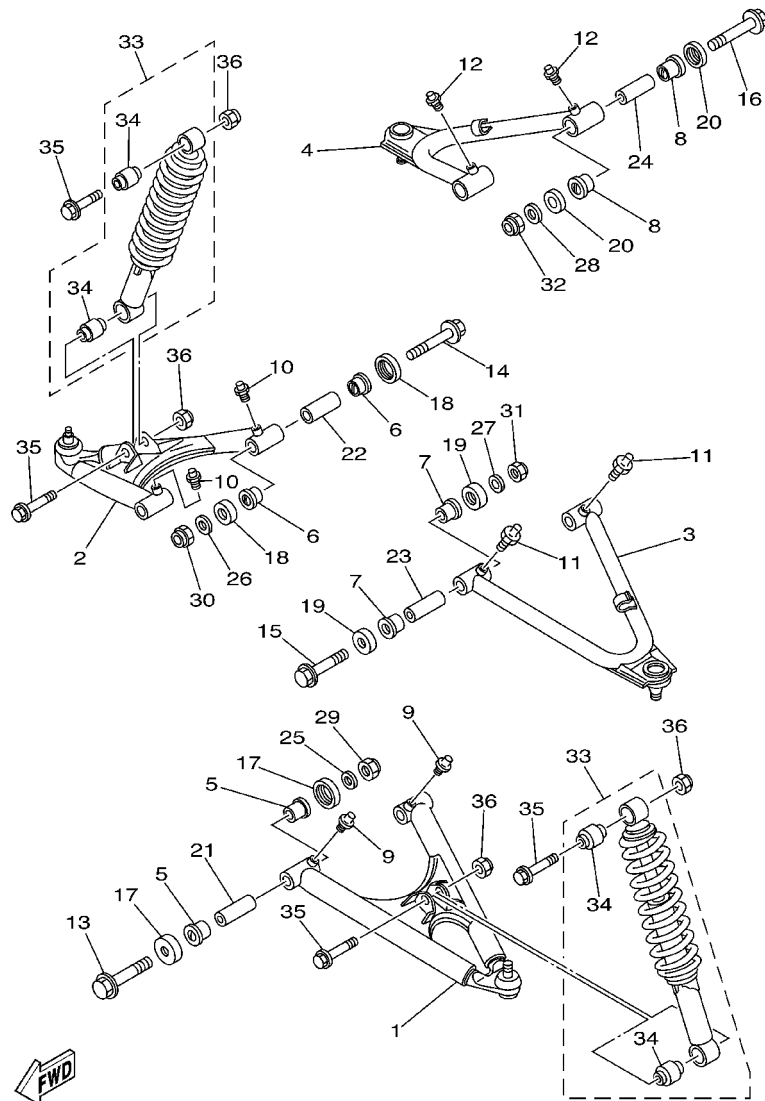
FIG. 23 FRONT SUSPENSION. WHEEL



5NF4100-2230

| REF. NO. | PART NO.        | DESCRIPTION                   | USA | CAN | FRA | OOE | JPN | REMARKS |
|----------|-----------------|-------------------------------|-----|-----|-----|-----|-----|---------|
| 1        | 3GD-23570-00-35 | FRONT LOWER ARM COMP. (LEFT)  | 1   | 1   | 1   | 1   | 1   | SL      |
| 2        | 3GD-23580-00-35 | FRONT LOWER ARM COMP. (RIGHT) | 1   | 1   | 1   | 1   | 1   | SL      |
| 3        | 3GD-23540-00-35 | FRONT UPPER ARM COMP. (LEFT)  | 1   | 1   | 1   | 1   | 1   | SL      |
| 4        | 3GD-23550-00-35 | FRONT UPPER ARM COMP. (RIGHT) | 1   | 1   | 1   | 1   | 1   | SL      |
| 5        | 90381-15088     | BUSH, SOLID                   | 4   | 4   | 4   | 4   | 4   |         |
| 6        | 90381-15088     | BUSH, SOLID                   | 4   | 4   | 4   | 4   | 4   |         |
| 7        | 90381-15088     | BUSH, SOLID                   | 4   | 4   | 4   | 4   | 4   |         |
| 8        | 90381-15088     | BUSH, SOLID                   | 4   | 4   | 4   | 4   | 4   |         |
| 9        | 93700-06004     | NIPPLE, GREASE                | 2   | 2   | 2   | 2   | 2   |         |
| 10       | 93700-06004     | NIPPLE, GREASE                | 2   | 2   | 2   | 2   | 2   |         |
| 11       | 93700-06004     | NIPPLE, GREASE                | 2   | 2   | 2   | 2   | 2   |         |
| 12       | 93700-06004     | NIPPLE, GREASE                | 2   | 2   | 2   | 2   | 2   |         |
| 13       | 90105-10034     | BOLT, FLANGE                  | 2   | 2   | 2   | 2   | 2   |         |
| 14       | 90105-10034     | BOLT, FLANGE                  | 2   | 2   | 2   | 2   | 2   |         |
| 15       | 90105-10034     | BOLT, FLANGE                  | 2   | 2   | 2   | 2   | 2   |         |
| 16       | 90105-10034     | BOLT, FLANGE                  | 2   | 2   | 2   | 2   | 2   |         |
| 17       | 1UY-23517-00    | COVER, THRUST 1               | 4   | 4   | 4   | 4   | 4   |         |
| 18       | 1UY-23517-00    | COVER, THRUST 1               | 4   | 4   | 4   | 4   | 4   |         |
| 19       | 1UY-23517-00    | COVER, THRUST 1               | 4   | 4   | 4   | 4   | 4   |         |
| 20       | 1UY-23517-00    | COVER, THRUST 1               | 4   | 4   | 4   | 4   | 4   |         |
| 21       | 90387-101R3     | COLLAR                        | 2   | 2   | 2   | 2   | 2   |         |
| 22       | 90387-101R3     | COLLAR                        | 2   | 2   | 2   | 2   | 2   |         |
| 23       | 90387-101R3     | COLLAR                        | 2   | 2   | 2   | 2   | 2   |         |
| 24       | 90387-101R3     | COLLAR                        | 2   | 2   | 2   | 2   | 2   |         |
| 25       | 90201-10430     | WASHER, PLATE                 | 2   | 2   | 2   | 2   | 2   |         |
| 26       | 90201-10430     | WASHER, PLATE                 | 2   | 2   | 2   | 2   | 2   |         |
| 27       | 90201-10430     | WASHER, PLATE                 | 2   | 2   | 2   | 2   | 2   |         |

**FIG. 23 FRONT SUSPENSION. WHEEL**

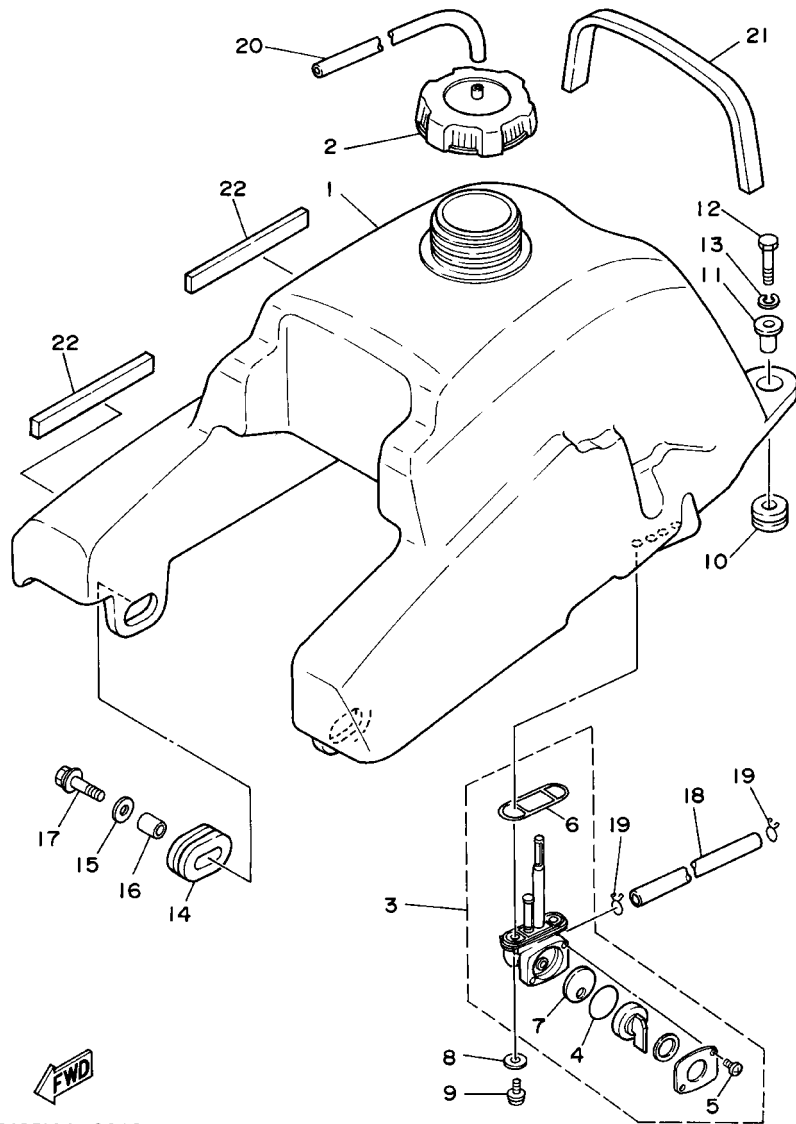


5NF4100-2230

| REF. NO. | PART NO.        | DESCRIPTION         | USA | CAN | FRA | OOE | JPN | REMARKS         |
|----------|-----------------|---------------------|-----|-----|-----|-----|-----|-----------------|
| 28       | 90201-10430     | WASHER, PLATE       | 2   | 2   | 2   | 2   | 2   |                 |
| 29       | 90185-10060     | NUT, SELF-LOCKING   | 2   | 2   | 2   | 2   | 2   |                 |
| 30       | 90185-10060     | NUT, SELF-LOCKING   | 2   | 2   | 2   | 2   | 2   |                 |
| 31       | 90185-10060     | NUT, SELF-LOCKING   | 2   | 2   | 2   | 2   | 2   |                 |
| 32       | 90185-10060     | NUT, SELF-LOCKING   | 2   | 2   | 2   | 2   | 2   |                 |
| 33       | 3GD-23350-00-36 | SHOCK ABSORBER ASSY | 2   | 2   | 2   | 2   | 2   | UR WW FOR DPBSE |
|          | 3GD-23350-00-6W | SHOCK ABSORBER ASSY | 2   | 2   | 2   | 2   | 2   | UR NTR FOR YB   |
| 34       | 2XJ-2331R-00    | .DAMPER, BUSH B     | 2   | 2   | 2   | 2   | 2   |                 |
| 35       | 90105-10388     | BOLT, FLANGE        | 4   | 4   | 4   | 4   | 4   |                 |
| 36       | 90185-10060     | NUT, SELF-LOCKING   | 4   | 4   | 4   | 4   | 4   |                 |
| -----    |                 |                     |     |     |     |     |     |                 |
| -----    |                 |                     |     |     |     |     |     |                 |
| -----    |                 |                     |     |     |     |     |     |                 |
| -----    |                 |                     |     |     |     |     |     |                 |
| -----    |                 |                     |     |     |     |     |     |                 |



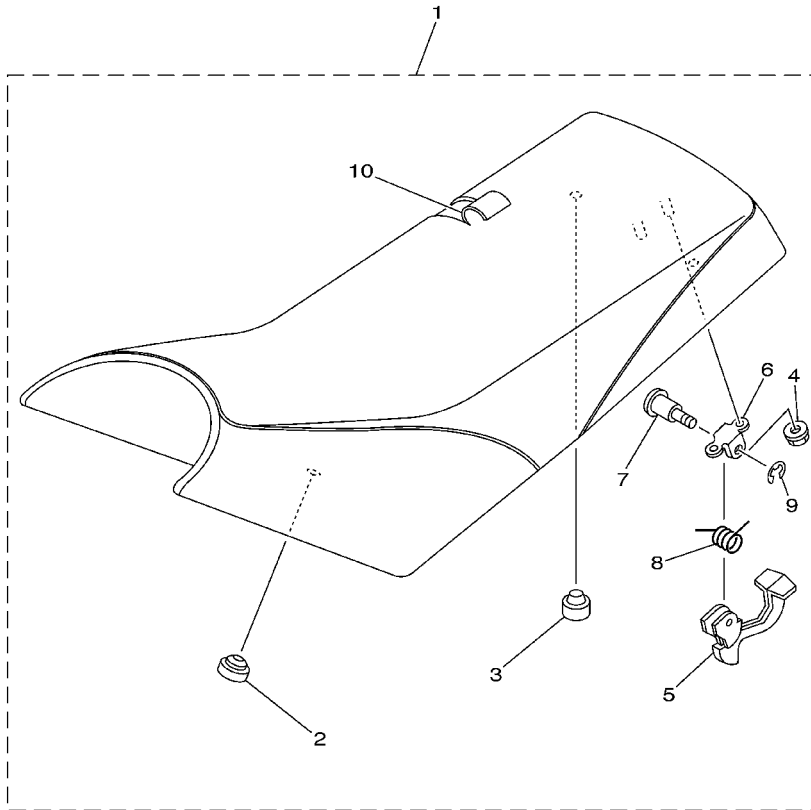
FIG. 24 FUEL TANK



3GD5100-0240

| REF. NO. | PART NO.     | DESCRIPTION        | USA | CAN | FRA | OOE | JPN | REMARKS |
|----------|--------------|--------------------|-----|-----|-----|-----|-----|---------|
| 1        | 1UY-24110-01 | FUEL TANK COMP.    | 1   | 1   | 1   | 1   | 1   |         |
| 2        | 5KM-24610-00 | CAP ASSY           | 1   | 1   | 1   | 1   | 1   |         |
| 3        | 21V-24500-10 | FUEL COCK ASSY 1   | 1   | 1   | 1   | 1   | 1   |         |
| 4        | 3AJ-24534-00 | .SEAL, COCK        | 1   | 1   | 1   | 1   | 1   |         |
| 5        | 97801-03008  | .SCREW, PAN HEAD   | 2   | 2   | 2   | 2   | 2   |         |
| 6        | 4X8-24512-00 | .O-RING            | 1   | 1   | 1   | 1   | 1   |         |
| 7        | 3AJ-24523-00 | .VALVE PACKING     | 1   | 1   | 1   | 1   | 1   |         |
| 8        | 90202-05193  | WASHER, PLATE      | 2   | 2   | 2   | 2   | 2   |         |
| 9        | 90149-06011  | SCREW              | 2   | 2   | 2   | 2   | 2   |         |
| 10       | 90480-18290  | GROMMET            | 2   | 2   | 2   | 2   | 2   |         |
| 11       | 90387-066H4  | COLLAR             | 2   | 2   | 2   | 2   | 2   |         |
| 12       | 97007-06030  | BOLT               | 2   | 2   | 2   | 2   | 2   |         |
| 13       | 92907-06100  | WASHER, SPRING     | 2   | 2   | 2   | 2   | 2   |         |
| 14       | 90480-01400  | GROMMET            | 2   | 2   | 2   | 2   | 2   |         |
| 15       | 90201-060L5  | WASHER, PLATE      | 2   | 2   | 2   | 2   | 2   |         |
| 16       | 90387-07598  | COLLAR             | 2   | 2   | 2   | 2   | 2   |         |
| 17       | 90119-06073  | BOLT, WITH WASHER  | 2   | 2   | 2   | 2   | 2   |         |
| 18       | 90445-11663  | HOSE (L170)        | 1   | 1   | 1   | 1   | 1   |         |
| 19       | 90467-10008  | CLIP               | 2   | 2   | 2   | 2   | 2   |         |
| 20       | 90445-084J1  | HOSE (L420)        | 1   | 1   | 1   | 1   | 1   |         |
| 21       | 1UY-2414H-00 | DAMPER, PLATE 1    | 1   | 1   | 1   | 1   | 1   |         |
| 22       | 3GD-24181-00 | DAMPER, LOCATING 1 | 2   | 2   | 2   | 2   | 2   |         |

FIG. 25 SEAT

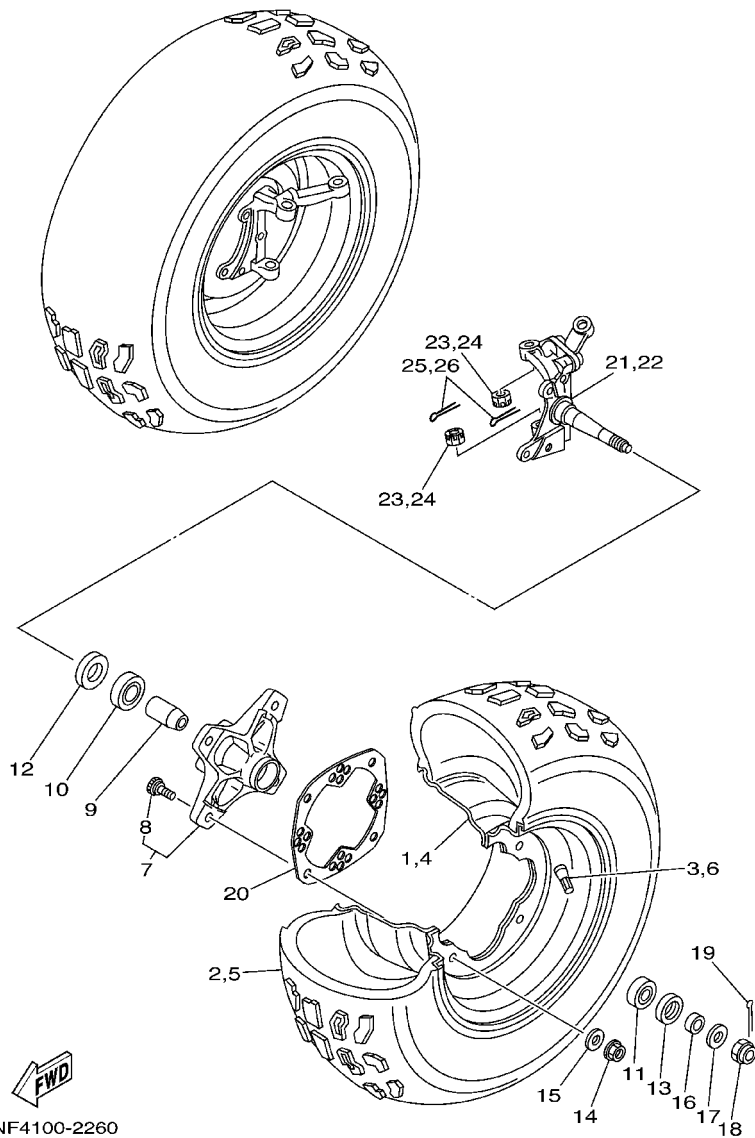


| REF. NO. | PART NO.     | DESCRIPTION          | USA | CAN | FRA | OOE | JPN | REMARKS |
|----------|--------------|----------------------|-----|-----|-----|-----|-----|---------|
| 1        | 5NF-24710-00 | SINGLE SEAT ASSY     | 1   | 1   | 1   | 1   | 1   |         |
| 2        | 22W-24741-00 | .PAD, SEAT           | 2   | 2   | 2   | 2   | 2   |         |
| 3        | 371-27114-00 | .STOPPER, MAIN STAND | 2   | 2   | 2   | 2   | 2   |         |
| 4        | 95707-06500  | .NUT, FLANGE         | 2   | 2   | 2   | 2   | 2   |         |
| 5        | 3GD-24776-00 | .LEVER, SEAT         | 1   | 1   | 1   | 1   | 1   |         |
| 6        | 4K0-24775-00 | .BRACKET, SEAT LEVER | 1   | 1   | 1   | 1   | 1   |         |
| 7        | 4K0-24774-00 | .PIN                 | 1   | 1   | 1   | 1   | 1   |         |
| 8        | 90508-20454  | .SPRING, TORSION     | 1   | 1   | 1   | 1   | 1   |         |
| 9        | 93430-04002  | .CIRCLIP             | 1   | 1   | 1   | 1   | 1   |         |
| 10       | 5NF-2470F-00 | .SEAT COVER COMP.    | 1   | 1   | 1   | 1   | 1   |         |



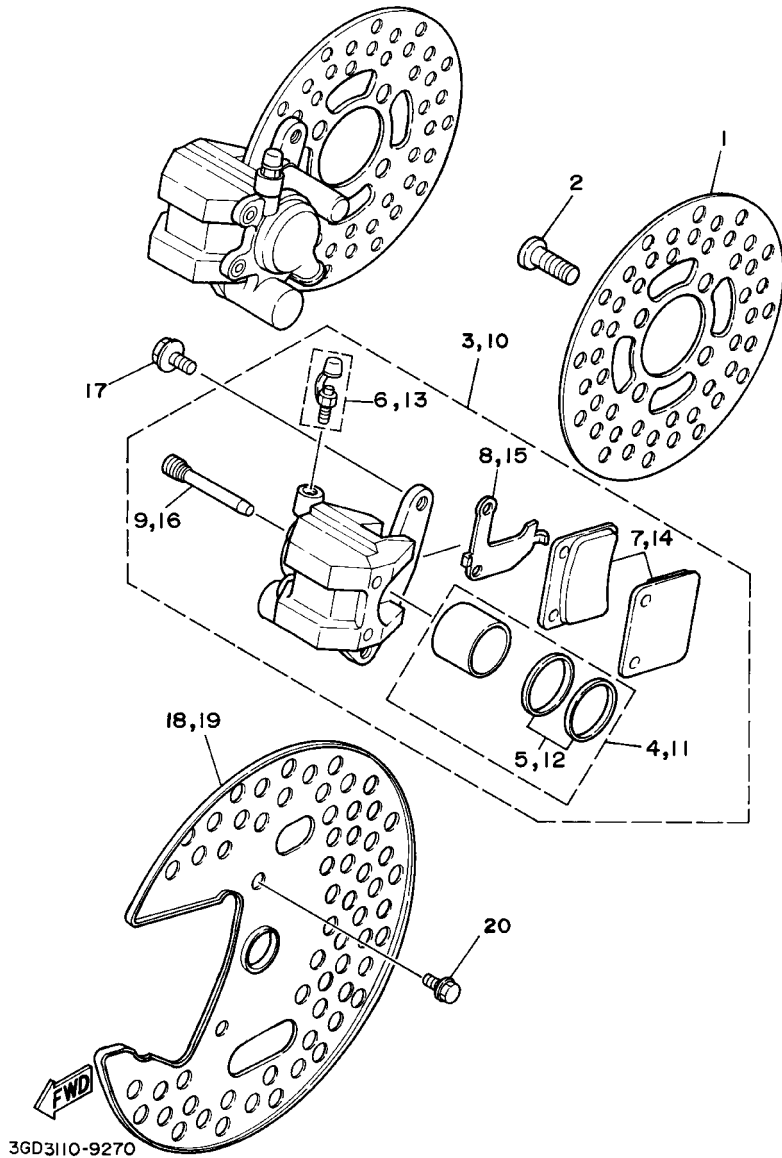
5NF4100-2250

FIG. 26 FRONT WHEEL



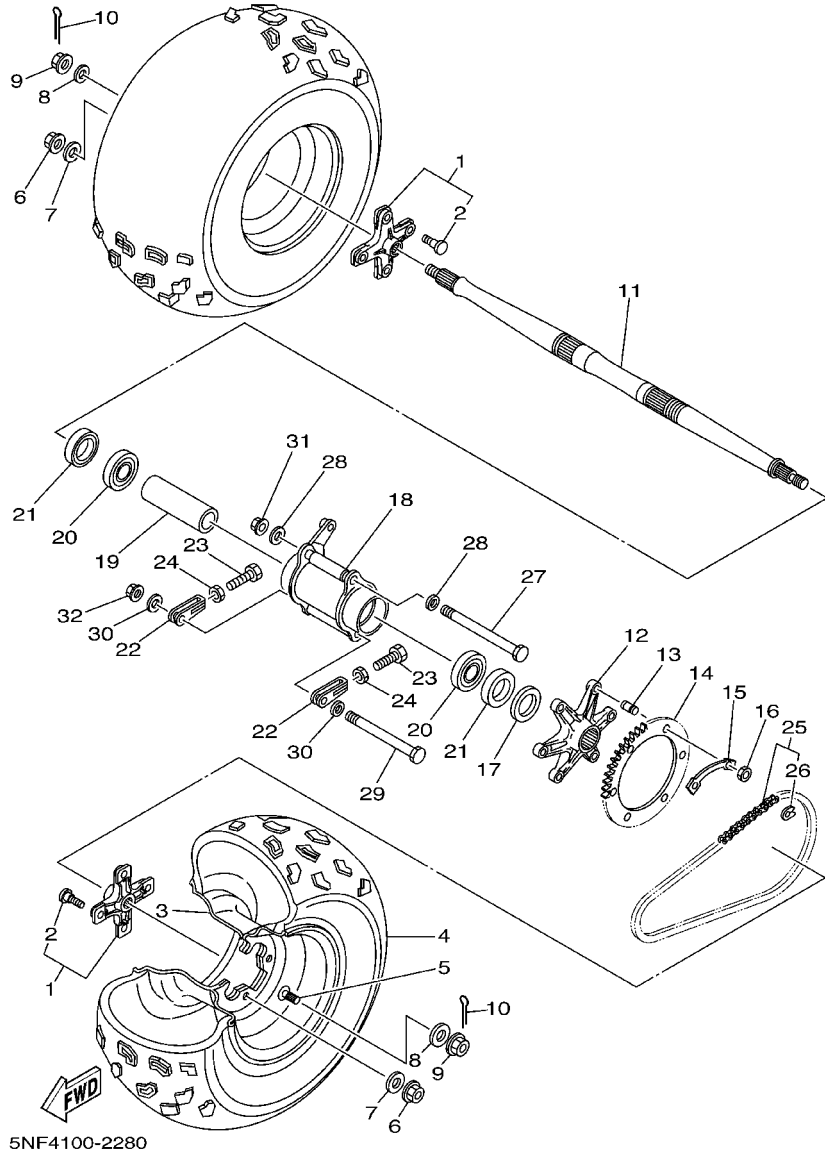
| REF. NO. | PART NO.        | DESCRIPTION                   | USA | CAN | FRA | OOE | JPN | REMARKS       |
|----------|-----------------|-------------------------------|-----|-----|-----|-----|-----|---------------|
| 1        | 2XK-25180-10-HM | WHEEL COMP.                   | 1   | 1   | 1   | 1   | 1   | AMS           |
| 2        | 94107-102Y4     | TIRE (AT22X7-10 KT701)        | 1   | 1   | 1   | 1   | 1   | DUNLOP        |
| 3        | 93900-00022     | VALVE, RIM                    | 1   | 1   | 1   | 1   | 1   | TAIHEIYO      |
| 4        | 2XK-25180-10-HM | WHEEL COMP.                   | 1   | 1   | 1   | 1   | 1   | AMS           |
| 5        | 94107-102Y4     | TIRE (AT22X7-10 KT701)        | 1   | 1   | 1   | 1   | 1   | DUNLOP        |
| 6        | 93900-00022     | VALVE, RIM                    | 1   | 1   | 1   | 1   | 1   | TAIHEIYO      |
| 7        | 3GD-25111-01    | HUB, FRONT                    | 2   | 2   | 2   | 2   | 2   |               |
| 8        | 90114-10007     | .BOLT, SERRATION              | 4   | 4   | 4   | 4   | 4   |               |
| 9        | 1UY-25117-00    | SPACER, BEARING               | 2   | 2   | 2   | 2   | 2   |               |
| 10       | 93306-00406     | BEARING (B6004Z)              | 2   | 2   | 2   | 2   | 2   | UR NTN        |
|          | 93306-00438     | BEARING                       | 2   | 2   | 2   | 2   | 2   | UR NIHONSEIKO |
| 11       | 93306-20227     | BEARING                       | 2   | 2   | 2   | 2   | 2   |               |
| 12       | 93105-26026     | OIL SEAL                      | 2   | 2   | 2   | 2   | 2   |               |
| 13       | 93102-22216     | OIL SEAL                      | 2   | 2   | 2   | 2   | 2   |               |
| 14       | 95707-10500     | NUT, FLANGE                   | 8   | 8   | 8   | 8   | 8   |               |
| 15       | 92907-10200     | WASHER, PLAIN                 | 8   | 8   | 8   | 8   | 8   |               |
| 16       | 90387-150R1     | COLLAR                        | 2   | 2   | 2   | 2   | 2   |               |
| 17       | 90201-14586     | WASHER, PLATE                 | 2   | 2   | 2   | 2   | 2   |               |
| 18       | 90171-14020     | NUT, CASTLE                   | 2   | 2   | 2   | 2   | 2   |               |
| 19       | 91401-30025     | PIN, COTTER                   | 2   | 2   | 2   | 2   | 2   |               |
| 20       | 3GD-25127-10    | COVER, PLATE                  | 2   | 2   | 2   | 2   | 2   |               |
| 21       | 3GD-23501-00    | STEERING KNUCKLE ASSY (LEFT)  | 1   | 1   | 1   | 1   | 1   |               |
| 22       | 3GD-23502-00    | STEERING KNUCKLE ASSY (RIGHT) | 1   | 1   | 1   | 1   | 1   |               |
| 23       | 90171-10046     | NUT, CASTLE                   | 2   | 2   | 2   | 2   | 2   |               |
| 24       | 90171-10046     | NUT, CASTLE                   | 2   | 2   | 2   | 2   | 2   |               |
| 25       | 91401-20020     | PIN, COTTER                   | 2   | 2   | 2   | 2   | 2   |               |
| 26       | 91401-20020     | PIN, COTTER                   | 2   | 2   | 2   | 2   | 2   |               |

FIG. 27 FRONT BRAKE CALIPER



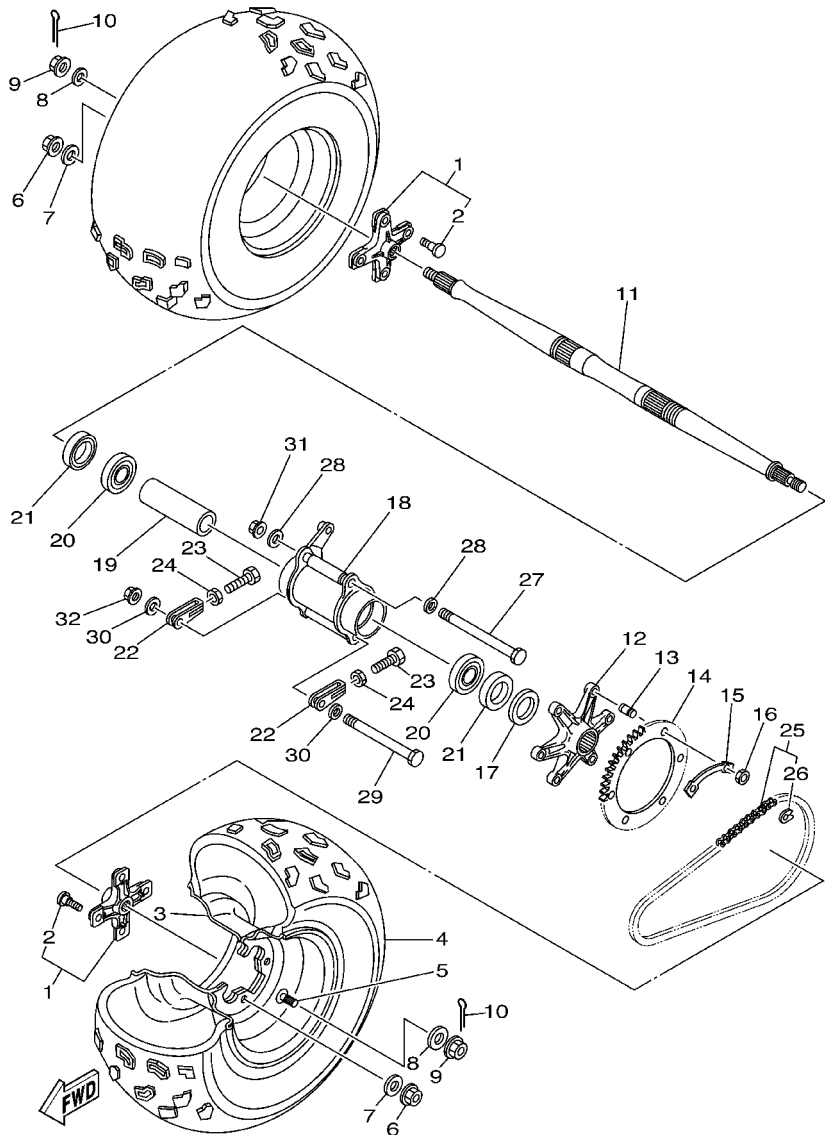
| REF. NO. | PART NO.     | DESCRIPTION           | USA | CAN | FRA | OOE | JPN | REMARKS |
|----------|--------------|-----------------------|-----|-----|-----|-----|-----|---------|
| 1        | 3GD-2582T-00 | DISC, BRAKE (LEFT)    | 2   | 2   | 2   | 2   | 2   |         |
| 2        | 90149-08268  | SCREW                 | 8   | 8   | 8   | 8   | 8   |         |
| 3        | 5LP-2580T-00 | CALIPER ASSY (LEFT)   | 1   | 1   | 1   | 1   | 1   |         |
| 4        | 3GD-W0057-00 | .PISTON ASSY, CALIPER | 1   | 1   | 1   | 1   | 1   |         |
| 5        | 3GD-W0047-00 | ..CALIPER SEAL KIT    | 1   | 1   | 1   | 1   | 1   |         |
| 6        | 1UY-W0048-50 | .BLEED SCREW KIT      | 1   | 1   | 1   | 1   | 1   |         |
| 7        | 5LP-W0045-00 | .BRAKE PAD KIT        | 1   | 1   | 1   | 1   | 1   |         |
| 8        | 3GD-25827-00 | .SHIM, CALIPER        | 1   | 1   | 1   | 1   | 1   |         |
| 9        | 3GD-25933-00 | .PIN, PAD             | 2   | 2   | 2   | 2   | 2   |         |
| 10       | 5LP-2580U-00 | CALIPER ASSY (RIGHT)  | 1   | 1   | 1   | 1   | 1   |         |
| 11       | 3GD-W0057-00 | .PISTON ASSY, CALIPER | 1   | 1   | 1   | 1   | 1   |         |
| 12       | 3GD-W0047-00 | ..CALIPER SEAL KIT    | 1   | 1   | 1   | 1   | 1   |         |
| 13       | 1UY-W0048-50 | .BLEED SCREW KIT      | 1   | 1   | 1   | 1   | 1   |         |
| 14       | 5LP-W0045-00 | .BRAKE PAD KIT        | 1   | 1   | 1   | 1   | 1   |         |
| 15       | 3GD-25828-00 | .SHIM, CALIPER        | 1   | 1   | 1   | 1   | 1   |         |
| 16       | 3GD-25933-00 | .PIN, PAD             | 2   | 2   | 2   | 2   | 2   |         |
| 17       | 90105-08538  | BOLT, FLANGE          | 4   | 4   | 4   | 4   | 4   |         |
| 18       | 3GD-2514A-10 | RING, WHEEL 1 (LEFT)  | 1   | 1   | 1   | 1   | 1   |         |
| 19       | 3GD-2515A-10 | RING, WHEEL 2 (RIGHT) | 1   | 1   | 1   | 1   | 1   |         |
| 20       | 95807-06010  | BOLT, FLANGE          | 4   | 4   | 4   | 4   | 4   |         |

FIG. 28 REAR WHEEL



5NF4100-2280

| REF. NO. | PART NO.        | DESCRIPTION                   | USA | CAN | FRA | OOE | JPN | REMARKS  |
|----------|-----------------|-------------------------------|-----|-----|-----|-----|-----|----------|
| 1        | 5LP-25383-00    | COLLAR, WHEEL                 | 2   | 2   | 2   | 2   | 2   |          |
| 2        | 90114-10009     | .BOLT, SERRATION              | 4   | 4   | 4   | 4   | 4   |          |
| 3        | 2XK-25390-01-HM | REAR WHEEL COMP.              | 2   | 2   | 2   | 2   | 2   | AMS      |
| 4        | 94110-090X4     | TIRE (AT22X10-9*KT775B T/L N) | 2   | 2   | 2   | 2   | 2   | DUNLOP   |
| 5        | 93900-00022     | VALVE, RIM                    | 2   | 2   | 2   | 2   | 2   | TAIHEIYO |
| 6        | 95707-10500     | NUT, FLANGE                   | 8   | 8   | 8   | 8   | 8   |          |
| 7        | 92907-10200     | WASHER, PLAIN                 | 8   | 8   | 8   | 8   | 8   |          |
| 8        | 90201-14226     | WASHER, PLATE                 | 2   | 2   | 2   | 2   | 2   |          |
| 9        | 90171-14037     | NUT, CASTLE                   | 2   | 2   | 2   | 2   | 2   |          |
| 10       | 91401-30030     | PIN, COTTER                   | 2   | 2   | 2   | 2   | 2   |          |
| 11       | 3GD-25381-00    | AXLE, WHEEL                   | 1   | 1   | 1   | 1   | 1   |          |
| 12       | 3GD-25386-00    | COLLAR, SPROCKET AXLE         | 1   | 1   | 1   | 1   | 1   |          |
| 13       | 90116-08507     | BOLT, STUD                    | 6   | 6   | 6   | 6   | 6   |          |
| 14       | 2XJ-25440-20    | SPROCKET, DRIVEN (40T)        | 1   | 1   | 1   | 1   | 1   |          |
| 15       | 2XJ-25412-00    | WASHER                        | 3   | 3   | 3   | 3   | 3   |          |
| 16       | 90170-08258     | NUT                           | 6   | 6   | 6   | 6   | 6   |          |
| 17       | 1UY-25367-00    | COVER, HUB DUST               | 1   | 1   | 1   | 1   | 1   |          |
| 18       | 3GD-25311-11-35 | HUB, REAR                     | 1   | 1   | 1   | 1   | 1   | SL       |
| 19       | 2XK-25317-00    | SPACER, BEARING               | 1   | 1   | 1   | 1   | 1   |          |
| 20       | 93306-00804     | BEARING                       | 2   | 2   | 2   | 2   | 2   |          |
| 21       | 93102-48370     | OIL SEAL                      | 2   | 2   | 2   | 2   | 2   |          |
| 22       | 3GD-25388-00    | PULLER, CHAIN 1               | 2   | 2   | 2   | 2   | 2   |          |
| 23       | 90101-08777     | BOLT                          | 2   | 2   | 2   | 2   | 2   |          |
| 24       | 95307-08600     | NUT                           | 2   | 2   | 2   | 2   | 2   |          |
| 25       | 94581-87098     | CHAIN (DID520V 98L)           | 1   | 1   | 1   | 1   | 1   |          |
| 26       | 94681-87011     | .JOINT, CHAIN (DID520V FJ)    | 1   | 1   | 1   | 1   | 1   |          |
| 27       | 90101-12695     | BOLT                          | 1   | 1   | 1   | 1   | 1   |          |

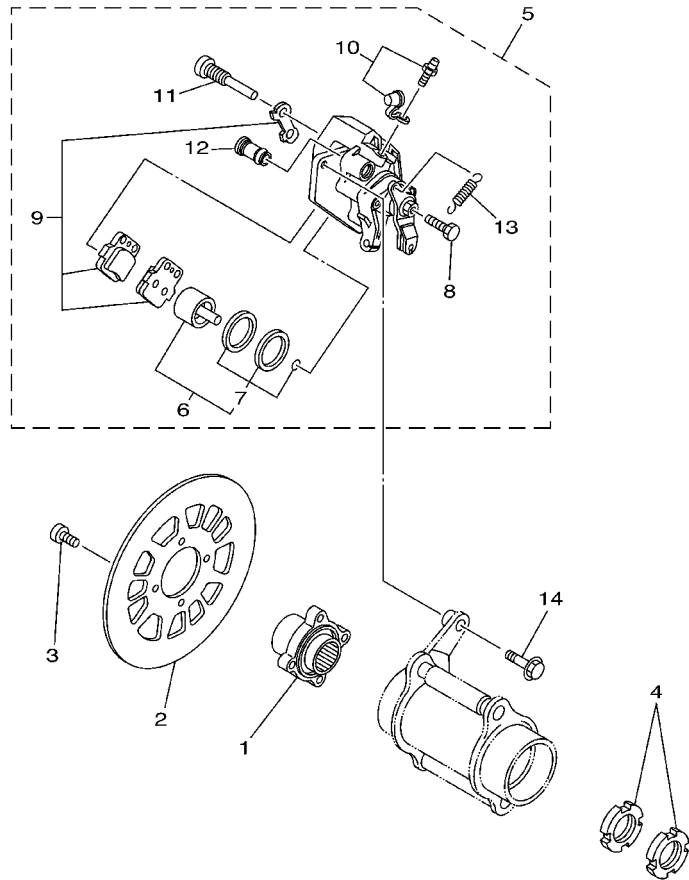


5NF4100-2280

FIG. 28 REAR WHEEL

| REF. NO. | PART NO.    | DESCRIPTION   | USA | CAN | FRA | OOE | JPN | REMARKS |
|----------|-------------|---------------|-----|-----|-----|-----|-----|---------|
| 28       | 90201-126A7 | WASHER, PLATE | 2   | 2   | 2   | 2   | 2   |         |
| 29       | 90101-10689 | BOLT          | 1   | 1   | 1   | 1   | 1   |         |
| 30       | 90201-106F2 | WASHER, PLATE | 2   | 2   | 2   | 2   | 2   |         |
| 31       | 90179-12588 | NUT           | 1   | 1   | 1   | 1   | 1   |         |
| 32       | 90179-10247 | NUT           | 1   | 1   | 1   | 1   | 1   |         |
| -----    |             |               |     |     |     |     |     |         |
| -----    |             |               |     |     |     |     |     |         |
| -----    |             |               |     |     |     |     |     |         |
| -----    |             |               |     |     |     |     |     |         |
| -----    |             |               |     |     |     |     |     |         |
| -----    |             |               |     |     |     |     |     |         |
| -----    |             |               |     |     |     |     |     |         |
| -----    |             |               |     |     |     |     |     |         |
| -----    |             |               |     |     |     |     |     |         |
| -----    |             |               |     |     |     |     |     |         |

**FIG. 29 REAR BRAKE**

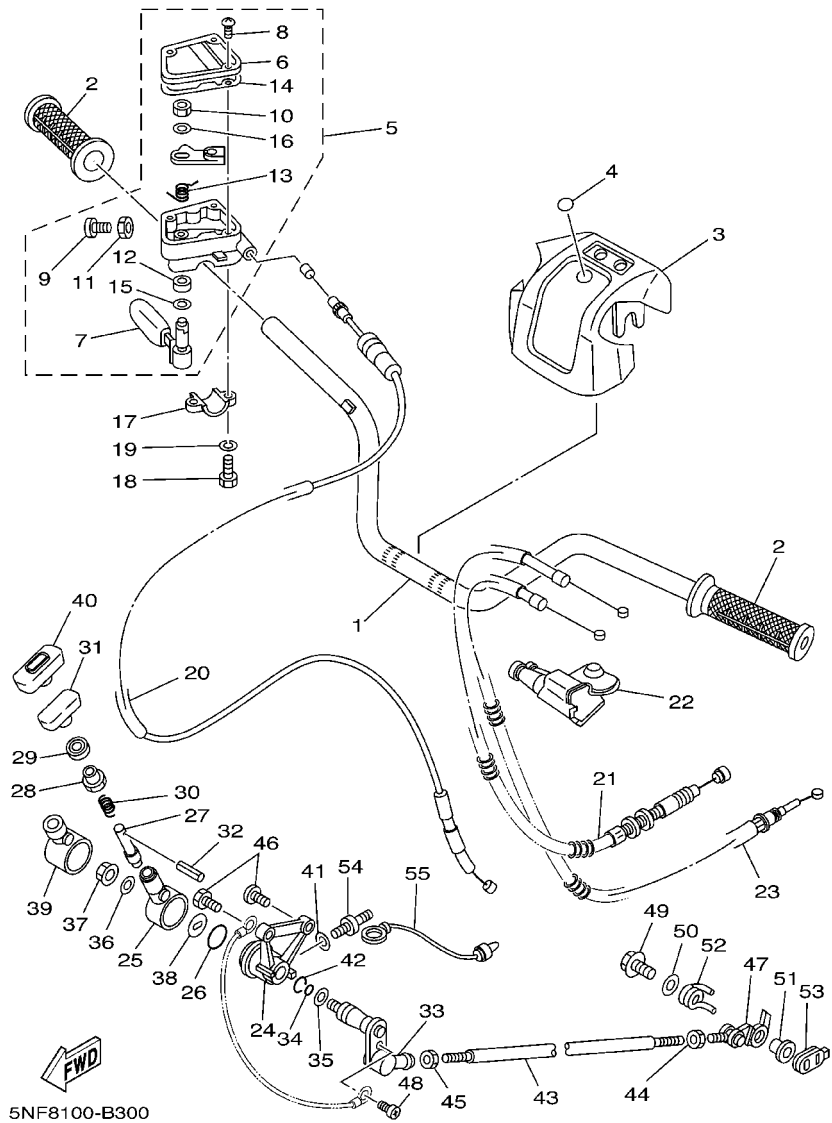


| REF. NO. | PART NO.     | DESCRIPTION           | USA | CAN | FRA | OOE | JPN | REMARKS |
|----------|--------------|-----------------------|-----|-----|-----|-----|-----|---------|
| 1        | 2XK-25712-00 | BRACKET, DISC         | 1   | 1   | 1   | 1   | 1   |         |
| 2        | 3GD-2582W-00 | DISC, REAR BRAKE 2    | 1   | 1   | 1   | 1   | 1   |         |
| 3        | 90109-081F0  | BOLT                  | 4   | 4   | 4   | 4   | 4   |         |
| 4        | 90170-38377  | NUT                   | 2   | 2   | 2   | 2   | 2   |         |
| 5        | 1UY-2580W-00 | CALIPER ASSY, REAR 2  | 1   | 1   | 1   | 1   | 1   |         |
| 6        | 1UY-W0057-50 | .PISTON ASSY, CALIPER | 1   | 1   | 1   | 1   | 1   |         |
| 7        | 1UY-W0047-50 | ..CALIPER SEAL KIT    | 1   | 1   | 1   | 1   | 1   |         |
| 8        | 1UY-25972-51 | .ADJUSTBOLT           | 1   | 1   | 1   | 1   | 1   |         |
| 9        | 1UY-W0046-00 | .BRAKE PAD KIT 2      | 1   | 1   | 1   | 1   | 1   |         |
| 10       | 1UY-W0048-50 | .BLEED SCREW KIT      | 1   | 1   | 1   | 1   | 1   |         |
| 11       | 1UY-25924-51 | .PIN, PAD             | 2   | 2   | 2   | 2   | 2   |         |
| 12       | 1UY-25917-51 | .BOOT, CALIPER        | 2   | 2   | 2   | 2   | 2   |         |
| 13       | 1UY-25977-51 | .SPRING, RETURN       | 1   | 1   | 1   | 1   | 1   |         |
| 14       | 90105-08440  | BOLT, FLANGE          | 2   | 2   | 2   | 2   | 2   |         |



5NF8100-B290

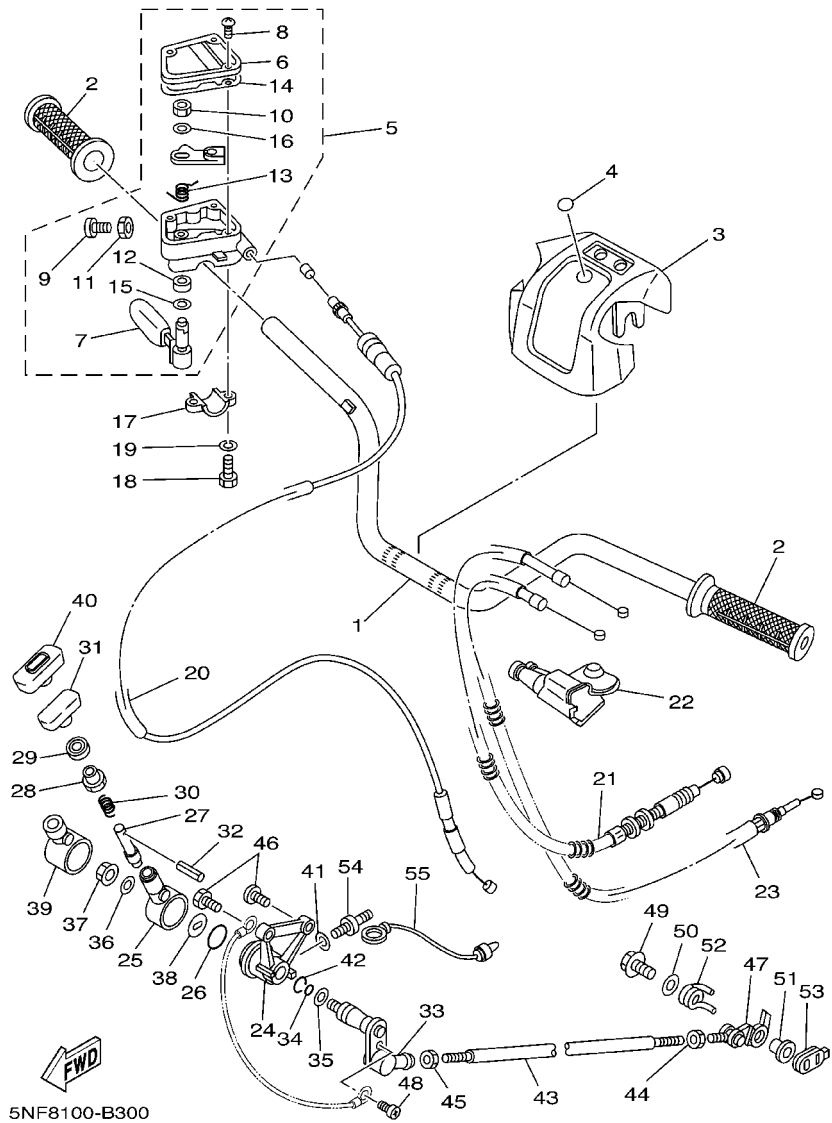
FIG. 30 STEERING HANDLE. CABLE



| REF. NO. | PART NO.     | DESCRIPTION           | USA | CAN | FRA | OOE | JPN | REMARKS |
|----------|--------------|-----------------------|-----|-----|-----|-----|-----|---------|
| 1        | 5LP-26111-00 | HANDLEBAR             | 1   | 1   | 1   | 1   | 1   |         |
| 2        | 5LP-26241-00 | GRIP                  | 2   | 2   | 2   | 2   | 2   |         |
| 3        | 3GD-26124-10 | PROTECTOR, HANDLEBAR  | 1   | 1   | 1   | 1   | 1   |         |
| 4        | 5GT-2836B-10 | TUNING FORK MARK      | 1   | 1   | 1   | 1   | 1   |         |
| 5        | 1NV-26250-01 | THROTTLE LEVER ASSY   | 1   | 1   | 1   | 1   | 1   |         |
| 6        | 1NV-2628F-00 | .CAP, GEAR            | 1   | 1   | 1   | 1   | 1   |         |
| 7        | 1NV-2625G-01 | .LEVER, THROTTLE      | 1   | 1   | 1   | 1   | 1   |         |
| 8        | 98507-05012  | .SCREW                | 3   | 3   | 3   | 3   | 3   |         |
| 9        | 98507-05020  | .SCREW                | 1   | 1   | 1   | 1   | 1   |         |
| 10       | 95607-05100  | .NUT, U               | 1   | 1   | 1   | 1   | 1   |         |
| 11       | 95307-05700  | .NUT                  | 1   | 1   | 1   | 1   | 1   |         |
| 12       | 93104-09025  | .OIL SEAL             | 1   | 1   | 1   | 1   | 1   |         |
| 13       | 1NV-26304-00 | .SPRING               | 1   | 1   | 1   | 1   | 1   |         |
| 14       | 1NV-2628G-00 | .GASKET               | 1   | 1   | 1   | 1   | 1   |         |
| 15       | 1NV-26129-00 | .WASHER               | 1   | 1   | 1   | 1   | 1   |         |
| 16       | 1NV-26398-00 | .WASHER               | 1   | 1   | 1   | 1   | 1   |         |
| 17       | 4V4-82913-00 | HOLDER, LEVER LOWER 1 | 1   | 1   | 1   | 1   | 1   |         |
| 18       | 98507-05020  | SCREW                 | 2   | 2   | 2   | 2   | 2   |         |
| 19       | 92907-05100  | WASHER, SPRING        | 2   | 2   | 2   | 2   | 2   |         |
| 20       | 3GD-26311-01 | CABLE, THROTTLE 1     | 1   | 1   | 1   | 1   | 1   |         |
| 21       | 1UY-26335-00 | CABLE, CLUTCH         | 1   | 1   | 1   | 1   | 1   |         |
| 22       | 1UY-2637A-01 | COVER, HANDLE LEVER 2 | 1   | 1   | 1   | 1   | 1   |         |
| 23       | 1UY-26341-02 | CABLE, BRAKE          | 1   | 1   | 1   | 1   | 1   |         |
| 24       | 2XK-26151-10 | BODY, REVERSE LEVER   | 1   | 1   | 1   | 1   | 1   |         |
| 25       | 1UY-26152-00 | LEVER, REVERSE        | 1   | 1   | 1   | 1   | 1   |         |
| 26       | 93210-29147  | O-RING                | 1   | 1   | 1   | 1   | 1   |         |
| 27       | 2XK-26154-00 | STOPPER, LEVER        | 1   | 1   | 1   | 1   | 1   |         |



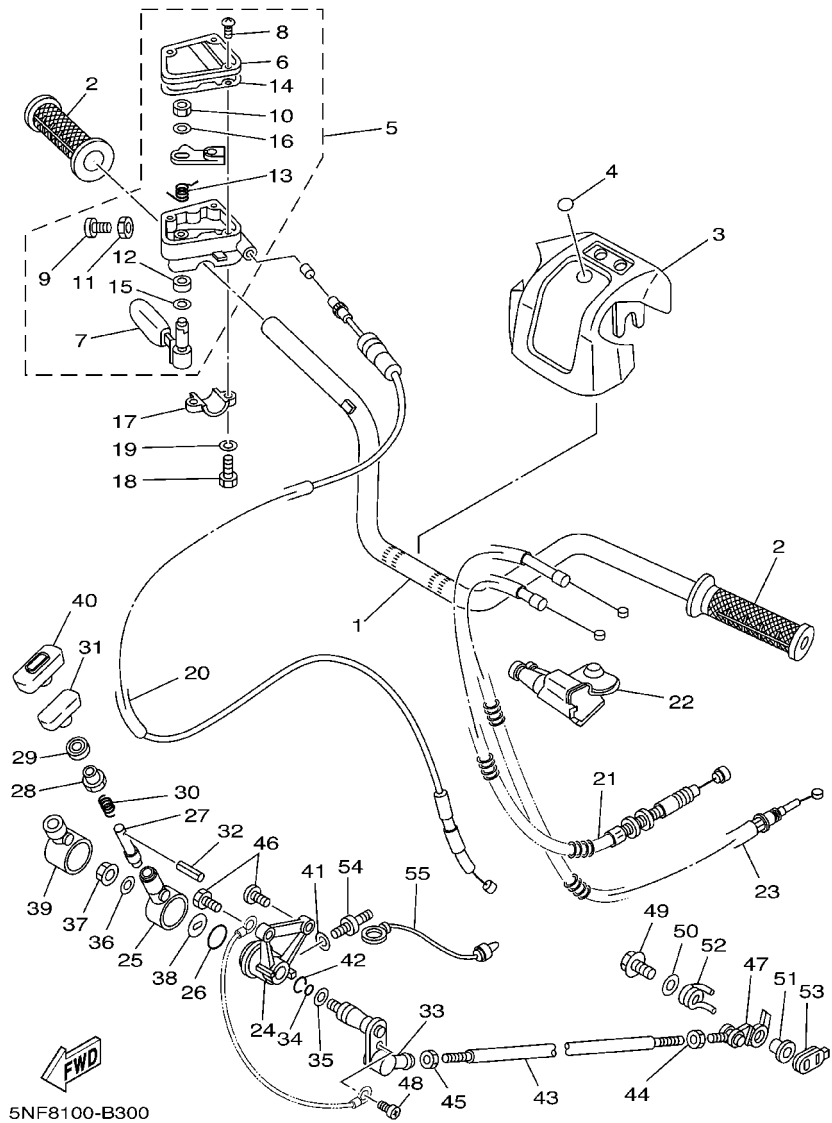
FIG. 30 STEERING HANDLE. CABLE



5NF8100-B300

| REF. NO. | PART NO.     | DESCRIPTION           | USA | CAN | FRA | OOE | JPN | REMARKS |
|----------|--------------|-----------------------|-----|-----|-----|-----|-----|---------|
| 28       | 1UY-26161-00 | COVER, SHIFT SPRING   | 1   | 1   | 1   | 1   | 1   |         |
| 29       | 93109-08050  | O-RING                | 1   | 1   | 1   | 1   | 1   |         |
| 30       | 90501-102E5  | SPRING, COMPRESSION   | 1   | 1   | 1   | 1   | 1   |         |
| 31       | 1UY-26157-00 | LEVER, LOCK           | 1   | 1   | 1   | 1   | 1   |         |
| 32       | 91609-40016  | PIN, SPRING           | 1   | 1   | 1   | 1   | 1   |         |
| 33       | 2XK-26162-10 | SHAFT, LINK           | 1   | 1   | 1   | 1   | 1   |         |
| 34       | 93210-10096  | O-RING                | 1   | 1   | 1   | 1   | 1   |         |
| 35       | 90202-14037  | WASHER, PLATE         | 1   | 1   | 1   | 1   | 1   |         |
| 36       | 90201-064J1  | WASHER, PLATE         | 1   | 1   | 1   | 1   | 1   |         |
| 37       | 95707-06500  | NUT, FLANGE           | 1   | 1   | 1   | 1   | 1   |         |
| 38       | 1UY-26158-00 | PLATE, SIDE 1         | 1   | 1   | 1   | 1   | 1   |         |
| 39       | 1UY-26372-00 | COVER, HANDLE LEVER 1 | 1   | 1   | 1   | 1   | 1   |         |
| 40       | 1UY-26153-00 | GRIP, LEVER           | 1   | 1   | 1   | 1   | 1   |         |
| 41       | 90201-12790  | WASHER, PLATE         | 1   | 1   | 1   | 1   | 1   |         |
| 42       | 93210-14104  | O-RING                | 1   | 1   | 1   | 1   | 1   |         |
| 43       | 3GD-26166-00 | ROD, JOINT            | 1   | 1   | 1   | 1   | 1   |         |
| 44       | 95317-06700  | NUT                   | 1   | 1   | 1   | 1   | 1   |         |
| 45       | 90170-06289  | NUT                   | 1   | 1   | 1   | 1   | 1   |         |
| 46       | 92017-08020  | BOLT                  | 2   | 2   | 2   | 2   | 2   |         |
| 47       | 2XK-26165-00 | LEVER 2               | 1   | 1   | 1   | 1   | 1   |         |
| 48       | 98507-04008  | SCREW                 | 1   | 1   | 1   | 1   | 1   |         |
| 49       | 95817-06035  | BOLT, FLANGE          | 1   | 1   | 1   | 1   | 1   |         |
| 50       | 90201-06008  | WASHER, PLATE         | 1   | 1   | 1   | 1   | 1   |         |
| 51       | 90387-063W7  | COLLAR                | 1   | 1   | 1   | 1   | 1   |         |
| 52       | 90508-35764  | SPRING, TORSION       | 1   | 1   | 1   | 1   | 1   |         |
| 53       | 4SH-18198-00 | LEVER                 | 1   | 1   | 1   | 1   | 1   |         |
| 54       | 4KD-82540-00 | NEUTRAL SWITCH ASSY   | 1   | 1   | 1   | 1   | 1   |         |

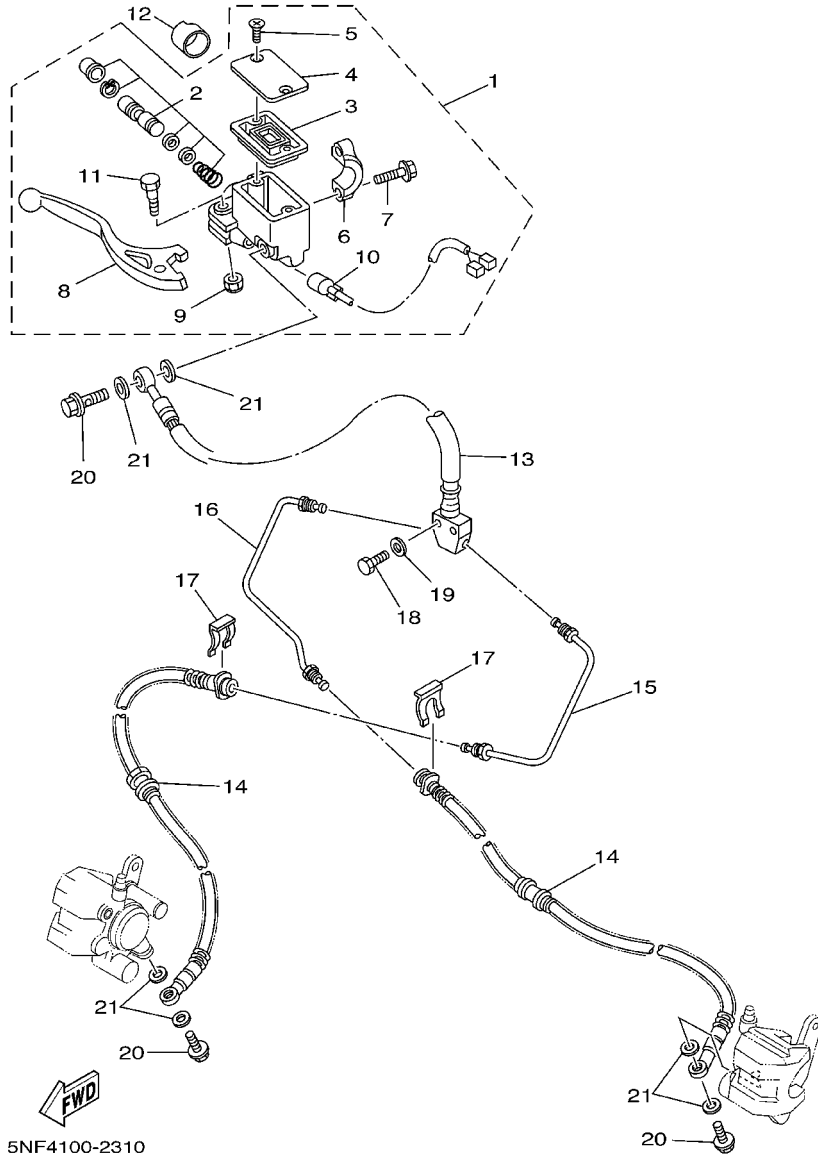
FIG. 30 STEERING HANDLE. CABLE



5NF8100-B300

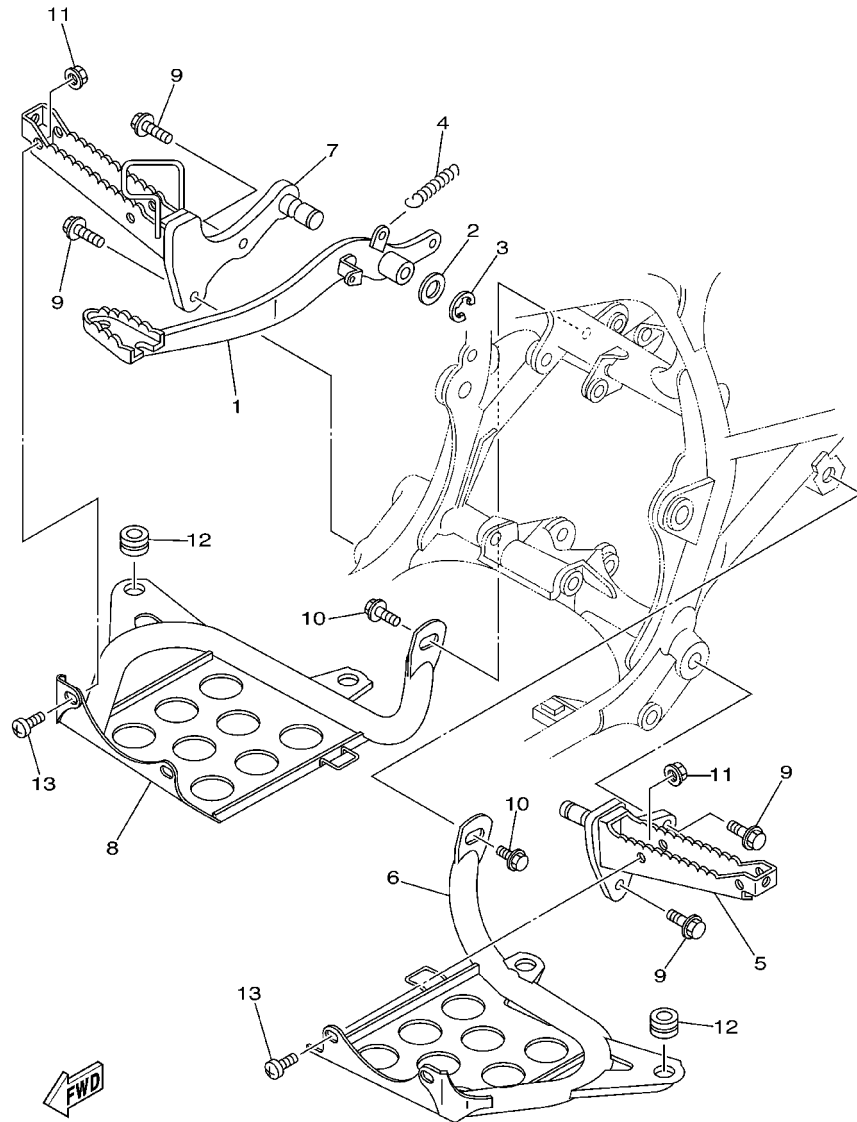
| REF. NO. | PART NO.     | DESCRIPTION | USA | CAN | FRA | OCÉ | JPN | REMARKS |
|----------|--------------|-------------|-----|-----|-----|-----|-----|---------|
| 55       | 2XK-82507-00 | WIRE, LEAD  | 1   | 1   | 1   | 1   | 1   |         |
|          |              |             |     |     |     |     |     |         |
|          |              |             |     |     |     |     |     |         |
|          |              |             |     |     |     |     |     |         |
|          |              |             |     |     |     |     |     |         |
|          |              |             |     |     |     |     |     |         |
|          |              |             |     |     |     |     |     |         |
|          |              |             |     |     |     |     |     |         |
|          |              |             |     |     |     |     |     |         |
|          |              |             |     |     |     |     |     |         |

FIG. 31 FRONT MASTER CYLINDER



| REF. NO. | PART NO.     | DESCRIPTION               | USA | CAN | FRA | OOE | JPN | REMARKS |
|----------|--------------|---------------------------|-----|-----|-----|-----|-----|---------|
| 1        | 5LP-2583T-01 | MASTER CYLINDER ASSY      | 1   | 1   | 1   | 1   | 1   |         |
| 2        | 5LP-W0041-00 | .CYLINDER KIT, MASTER     | 1   | 1   | 1   | 1   | 1   |         |
| 3        | 4L0-25854-00 | .DIAPHRAGM, RESERVOIR     | 1   | 1   | 1   | 1   | 1   |         |
| 4        | 5LP-25852-01 | .CAP, RESERVOIR           | 1   | 1   | 1   | 1   | 1   |         |
| 5        | 4NK-2589H-00 | .SCREW                    | 2   | 2   | 2   | 2   | 2   |         |
| 6        | 5LP-25867-00 | .BRACKET, MASTER CYLINDER | 1   | 1   | 1   | 1   | 1   |         |
| 7        | 5MV-25833-00 | .BOLT, FITTING            | 2   | 2   | 2   | 2   | 2   |         |
| 8        | 5LP-83922-00 | .LEVER 2                  | 1   | 1   | 1   | 1   | 1   |         |
| 9        | 95604-06100  | .NUT, U                   | 1   | 1   | 1   | 1   | 1   |         |
| 10       | 5LP-83980-00 | .FRONT STOP SWITCH ASSY   | 1   | 1   | 1   | 1   | 1   |         |
| 11       | 5MV-2589F-00 | .BOLT, LEVER              | 1   | 1   | 1   | 1   | 1   |         |
| 12       | 1UY-26259-00 | COLLAR                    | 1   | 1   | 1   | 1   | 1   |         |
| 13       | 3GD-25872-02 | HOSE, BRAKE 1             | 1   | 1   | 1   | 1   | 1   |         |
| 14       | 3GD-25873-02 | HOSE, BRAKE 2             | 2   | 2   | 2   | 2   | 2   |         |
| 15       | 3GD-25871-00 | PIPE, BRAKE               | 1   | 1   | 1   | 1   | 1   |         |
| 16       | 3GD-25882-00 | PIPE, BRAKE 2             | 1   | 1   | 1   | 1   | 1   |         |
| 17       | 2GU-25866-00 | CIRCLIP                   | 2   | 2   | 2   | 2   | 2   |         |
| 18       | 97027-08025  | BOLT                      | 1   | 1   | 1   | 1   | 1   |         |
| 19       | 92907-08600  | WASHER, PLATE             | 1   | 1   | 1   | 1   | 1   |         |
| 20       | 90401-10159  | BOLT, UNION               | 3   | 3   | 3   | 3   | 3   |         |
| 21       | 90201-10118  | WASHER, PLATE             | 6   | 6   | 6   | 6   | 6   |         |

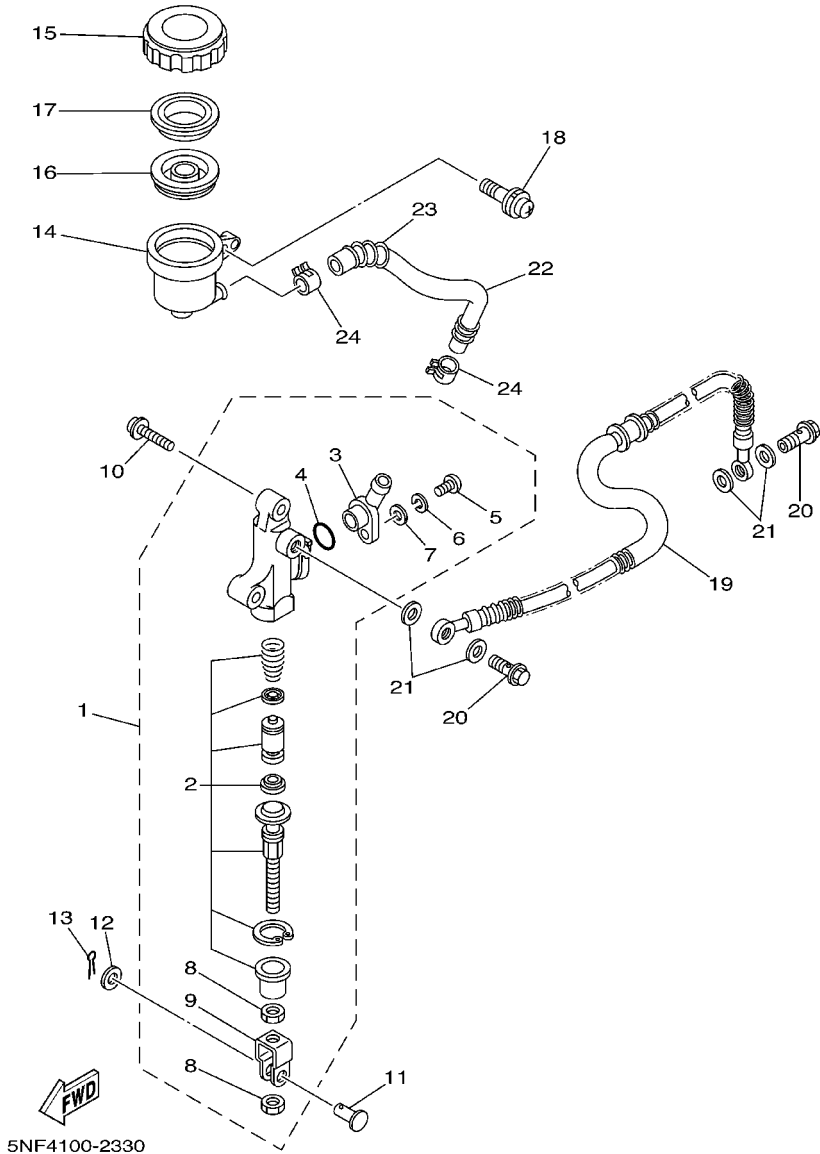
FIG. 32 STAND. FOOTREST



5NF4100-2320

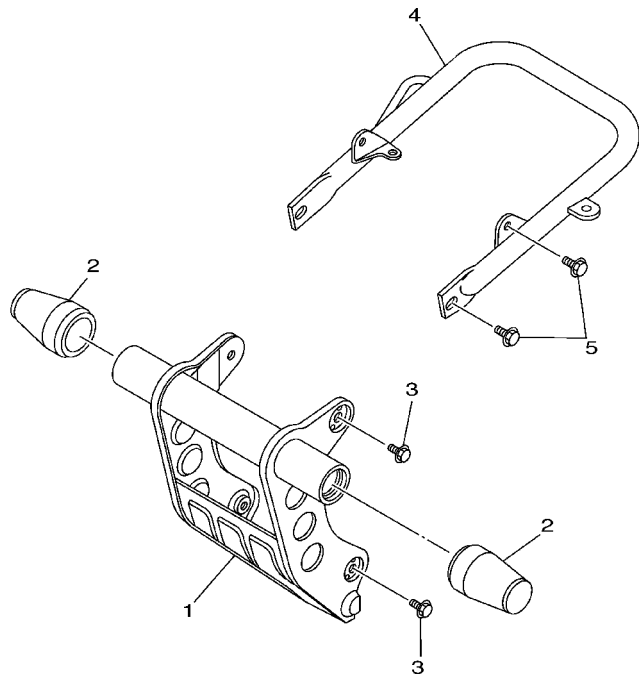
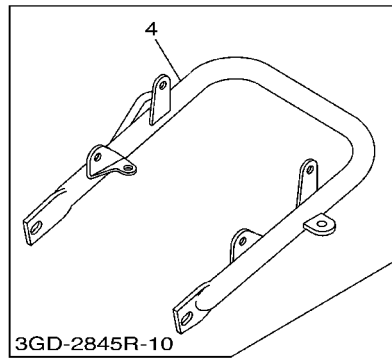
| REF. NO. | PART NO.     | DESCRIPTION     | USA | CAN | FRA | OOE | JPN | REMARKS |
|----------|--------------|-----------------|-----|-----|-----|-----|-----|---------|
| 1        | 3GD-27211-40 | PEDAL, BRAKE    | 1   | 1   | 1   | 1   | 1   |         |
| 2        | 90201-15797  | WASHER, PLATE   | 1   | 1   | 1   | 1   | 1   |         |
| 3        | 93430-12008  | CIRCLIP         | 1   | 1   | 1   | 1   | 1   |         |
| 4        | 90506-20380  | SPRING, TENSION | 1   | 1   | 1   | 1   | 1   |         |
| 5        | 5NF-27411-00 | FOOTREST 1      | 1   | 1   | 1   | 1   | 1   |         |
| 6        | 3GD-27445-00 | PLATE 1         | 1   | 1   | 1   | 1   | 1   |         |
| 7        | 5NF-27421-00 | FOOTREST 2      | 1   | 1   | 1   | 1   | 1   |         |
| 8        | 3GD-27446-00 | PLATE 2         | 1   | 1   | 1   | 1   | 1   |         |
| 9        | 95817-10025  | BOLT, FLANGE    | 4   | 4   | 4   | 4   | 4   |         |
| 10       | 95827-08016  | BOLT, FLANGE    | 2   | 2   | 2   | 2   | 2   |         |
| 11       | 95707-08500  | NUT, FLANGE     | 4   | 4   | 4   | 4   | 4   |         |
| 12       | 90480-18411  | GROMMET         | 4   | 4   | 4   | 4   | 4   |         |
| 13       | 92017-08016  | BOLT            | 4   | 4   | 4   | 4   | 4   |         |

**FIG. 33 REAR MASTER CYLINDER**



| REF. NO. | PART NO.     | DESCRIPTION               | USA | CAN | FRA | OOE | JPN | REMARKS |
|----------|--------------|---------------------------|-----|-----|-----|-----|-----|---------|
| 1        | 3GD-2583V-10 | RR. MASTER CYLINDER ASSY. | 1   | 1   | 1   | 1   | 1   |         |
| 2        | 3GD-W0042-50 | .CYLINDER KIT, MASTER     | 1   | 1   | 1   | 1   | 1   |         |
| 3        | 29L-2582A-50 | .JOINT                    | 1   | 1   | 1   | 1   | 1   |         |
| 4        | 93210-15620  | .O-RING                   | 1   | 1   | 1   | 1   | 1   |         |
| 5        | 98506-04012  | .SCREW, PAN HEAD          | 1   | 1   | 1   | 1   | 1   |         |
| 6        | 92906-04100  | .WASHER, SPRING           | 1   | 1   | 1   | 1   | 1   |         |
| 7        | 92906-04600  | .WASHER, PLATE            | 1   | 1   | 1   | 1   | 1   |         |
| 8        | 4SS-27218-00 | .NUT                      | 2   | 2   | 2   | 2   | 2   |         |
| 9        | 2YK-27222-00 | .JOINT                    | 1   | 1   | 1   | 1   | 1   |         |
| 10       | 92017-08030  | BOLT                      | 2   | 2   | 2   | 2   | 2   |         |
| 11       | 90240-08013  | PIN, CLEVIS               | 1   | 1   | 1   | 1   | 1   |         |
| 12       | 90201-08083  | WASHER, PLATE             | 1   | 1   | 1   | 1   | 1   |         |
| 13       | 91401-16012  | PIN, COTTER               | 1   | 1   | 1   | 1   | 1   |         |
| 14       | 47X-25894-00 | TANK, RESERVOIR           | 1   | 1   | 1   | 1   | 1   |         |
| 15       | 2KF-25852-50 | CAP, RESERVOIR            | 1   | 1   | 1   | 1   | 1   |         |
| 16       | 360-25854-01 | DIAPHRAGM, RESERVOIR      | 1   | 1   | 1   | 1   | 1   |         |
| 17       | 2GU-25855-00 | BUSH,DIAPHRAGM            | 1   | 1   | 1   | 1   | 1   |         |
| 18       | 90159-06056  | SCREW, WITH WASHER        | 1   | 1   | 1   | 1   | 1   |         |
| 19       | 3GD-25874-02 | HOSE, BRAKE               | 1   | 1   | 1   | 1   | 1   |         |
| 20       | 90401-10159  | BOLT, UNION               | 2   | 2   | 2   | 2   | 2   |         |
| 21       | 90201-10118  | WASHER, PLATE             | 4   | 4   | 4   | 4   | 4   |         |
| 22       | 1UY-25895-00 | HOSE, RESERVOIR           | 1   | 1   | 1   | 1   | 1   |         |
| 23       | 90501-102E8  | SPRING, COMPRESSION       | 1   | 1   | 1   | 1   | 1   |         |
| 24       | 90467-14057  | CLIP                      | 2   | 2   | 2   | 2   | 2   |         |

**FIG. 34 GUARD**



5NF4100-2340

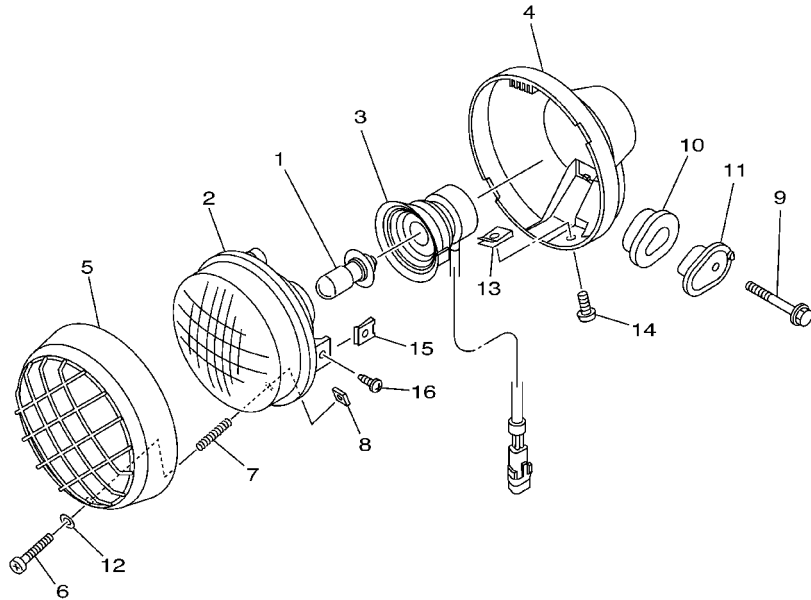
| REF. NO.                                    | PART NO.        | DESCRIPTION      | USA | CAN | FRA | OOE | JPN | REMARKS |
|---|-----------------|------------------|-----|-----|-----|-----|-----|---------|
| 1   | 3GD-2845N-00-35 | BAR, CARRY FRONT | 1   | 1   | 1   | 1   | 1   | SL      |
| 2   | 1UY-28415-00    | DAMPER 1         | 2   | 2   | 2   | 2   | 2   |         |
| 3   | 95827-08012     | BOLT, FLANGE     | 4   | 4   | 4   | 4   | 4   |         |
| 4   | 3GD-2845R-00    | BAR, CARRY REAR  | 1   |     |     | 1   | 1   |         |
|   | 3GD-2845R-10    | BAR, CARRY REAR  |     | 1   | 1   |     |     |         |
| 5   | 95827-08016     | BOLT, FLANGE     | 4   | 4   | 4   | 4   | 4   |         |
| <hr style="border-top: 1px dashed black;"/> |                 |                  |     |     |     |     |     |         |
| <hr style="border-top: 1px dashed black;"/> |                 |                  |     |     |     |     |     |         |
| <hr style="border-top: 1px dashed black;"/> |                 |                  |     |     |     |     |     |         |
| <hr style="border-top: 1px dashed black;"/> |                 |                  |     |     |     |     |     |         |
| <hr style="border-top: 1px dashed black;"/> |                 |                  |     |     |     |     |     |         |
| <hr style="border-top: 1px dashed black;"/> |                 |                  |     |     |     |     |     |         |
| <hr style="border-top: 1px dashed black;"/> |                 |                  |     |     |     |     |     |         |
| <hr style="border-top: 1px dashed black;"/> |                 |                  |     |     |     |     |     |         |
| <hr style="border-top: 1px dashed black;"/> |                 |                  |     |     |     |     |     |         |







FIG. 37 HEADLIGHT

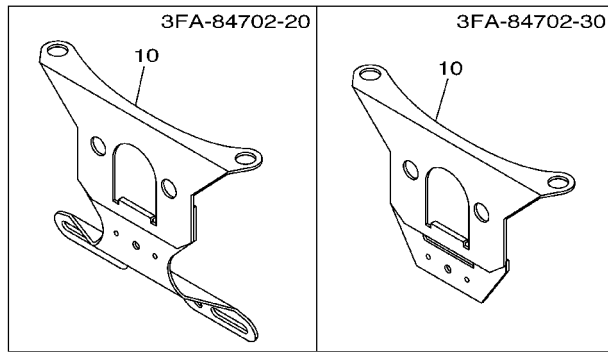
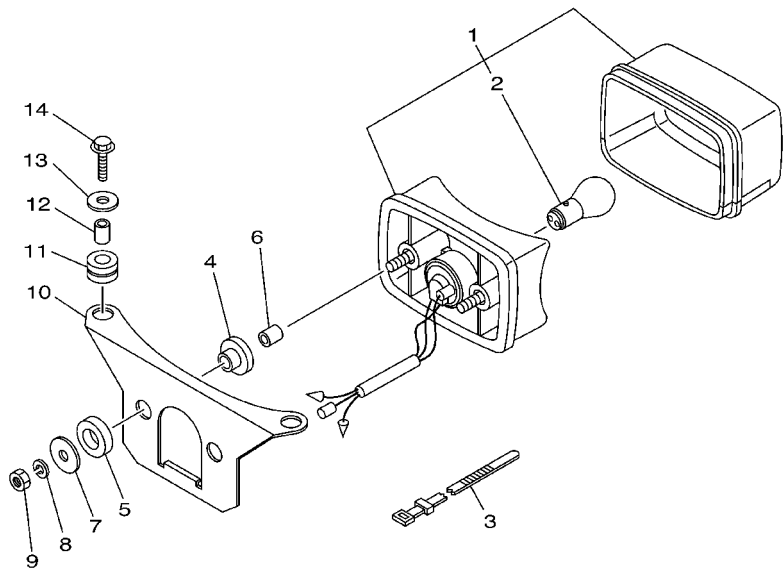


| REF. NO. | PART NO.     | DESCRIPTION          | USA | CAN | FRA | OOE | JPN | REMARKS |
|----------|--------------|----------------------|-----|-----|-----|-----|-----|---------|
| 1        | 4KB-84314-01 | BULB (12V-30/30W)    | 2   | 2   | 2   | 2   | 2   |         |
| 2        | 5KM-84320-00 | LENS ASSY            | 2   | 2   | 2   | 2   | 2   |         |
| 3        | 5EH-84340-00 | SOCKET CORD ASSY 1   | 2   | 2   | 2   | 2   | 2   |         |
| 4        | 2GU-84330-70 | BODY ASSY            | 2   | 2   | 2   | 2   | 2   | YB      |
| 5        | 4KB-84169-00 | GUARD, HEADLIGHT     | 2   | 2   | 2   | 2   | 2   |         |
| 6        | 2GU-84331-00 | SCREW, RIM ADJUSTING | 2   | 2   | 2   | 2   | 2   |         |
| 7        | 2GU-84332-00 | SPRING, SCREW        | 2   | 2   | 2   | 2   | 2   |         |
| 8        | 2GU-84334-00 | NUT, ADJUSTING       | 2   | 2   | 2   | 2   | 2   |         |
| 9        | 95807-08055  | BOLT, FLANGE         | 2   | 2   | 2   | 2   | 2   |         |
| 10       | 3GD-84345-00 | DAMPER, HEADLIGHT    | 4   | 4   | 4   | 4   | 4   |         |
| 11       | 2GU-84338-00 | COLLAR, BODY FITTING | 4   | 4   | 4   | 4   | 4   |         |
| 12       | 4KB-84344-00 | WASHER, PLAIN        | 2   | 2   | 2   | 2   | 2   |         |
| 13       | 4KB-84117-00 | NUT                  | 2   | 2   | 2   | 2   | 2   |         |
| 14       | 4KB-84526-00 | SCREW                | 2   | 2   | 2   | 2   | 2   |         |
| 15       | 5LP-84334-00 | NUT, ADJUSTING       | 2   | 2   | 2   | 2   | 2   |         |
| 16       | 4KB-84365-00 | SCREW                | 2   | 2   | 2   | 2   | 2   |         |



5NF4100-2371

FIG. 38 TAILLIGHT

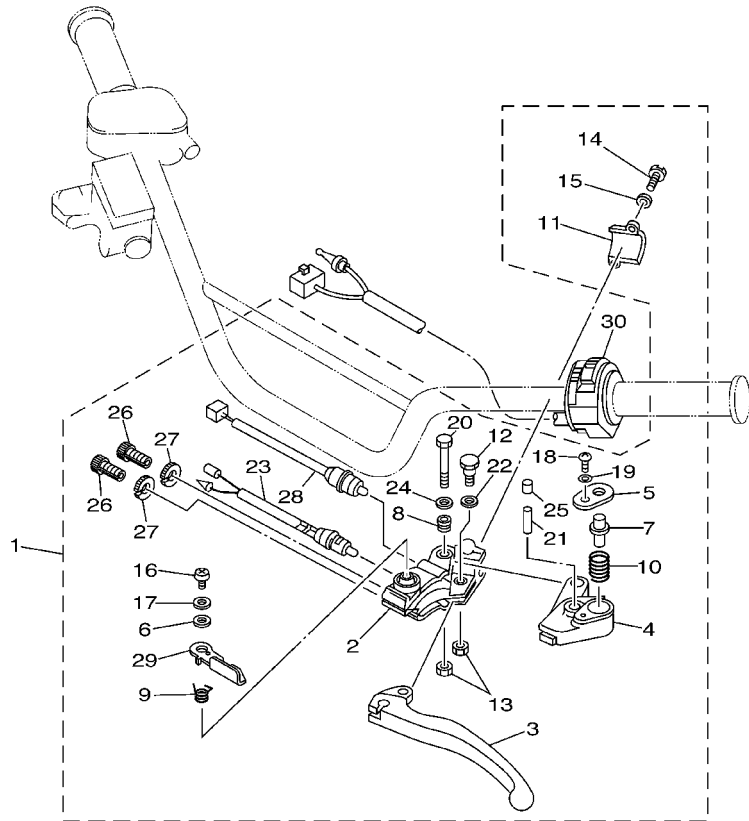


| REF. NO. | PART NO.     | DESCRIPTION         | USA | CAN | FRA | OOE | JPN | REMARKS |
|----------|--------------|---------------------|-----|-----|-----|-----|-----|---------|
| 1        | 3FA-84710-00 | TAILLIGHT UNIT ASSY | 1   | 1   | 1   | 1   | 1   |         |
| 2        | 1A2-84714-41 | .BULB (12V-21/5W)   | 1   | 1   | 1   | 1   | 1   |         |
| 3        | 437-83936-01 | BAND, SWITCH CORD   | 1   | 1   | 1   | 1   | 1   |         |
| 4        | 90480-14088  | GROMMET             | 2   | 2   | 2   | 2   | 2   |         |
| 5        | 90202-14077  | WASHER, PLATE       | 2   | 2   | 2   | 2   | 2   |         |
| 6        | 90387-06595  | COLLAR              | 2   | 2   | 2   | 2   | 2   |         |
| 7        | 90201-06074  | WASHER, PLATE       | 2   | 2   | 2   | 2   | 2   |         |
| 8        | 92907-06100  | WASHER, SPRING      | 2   | 2   | 2   | 2   | 2   |         |
| 9        | 95307-06600  | NUT                 | 2   | 2   | 2   | 2   | 2   |         |
| 10       | 3FA-84702-10 | BRACKET, TAILLIGHT  | 1   |     |     | 1   | 1   |         |
|          | 3FA-84702-20 | BRACKET, TAILLIGHT  |     | 1   |     |     |     |         |
|          | 3FA-84702-30 | BRACKET, TAILLIGHT  |     |     | 1   |     |     |         |
| 11       | 90480-14555  | GROMMET             | 2   | 2   | 2   | 2   | 2   |         |
| 12       | 90387-065L7  | COLLAR              | 2   | 2   | 2   | 2   | 2   |         |
| 13       | 90201-06071  | WASHER, PLATE       | 2   | 2   | 2   | 2   | 2   |         |
| 14       | 95807-06025  | BOLT, FLANGE        | 2   | 2   | 2   | 2   | 2   |         |



5KJ7100-2320

FIG. 39 HANDLE SWITCH. LEVER

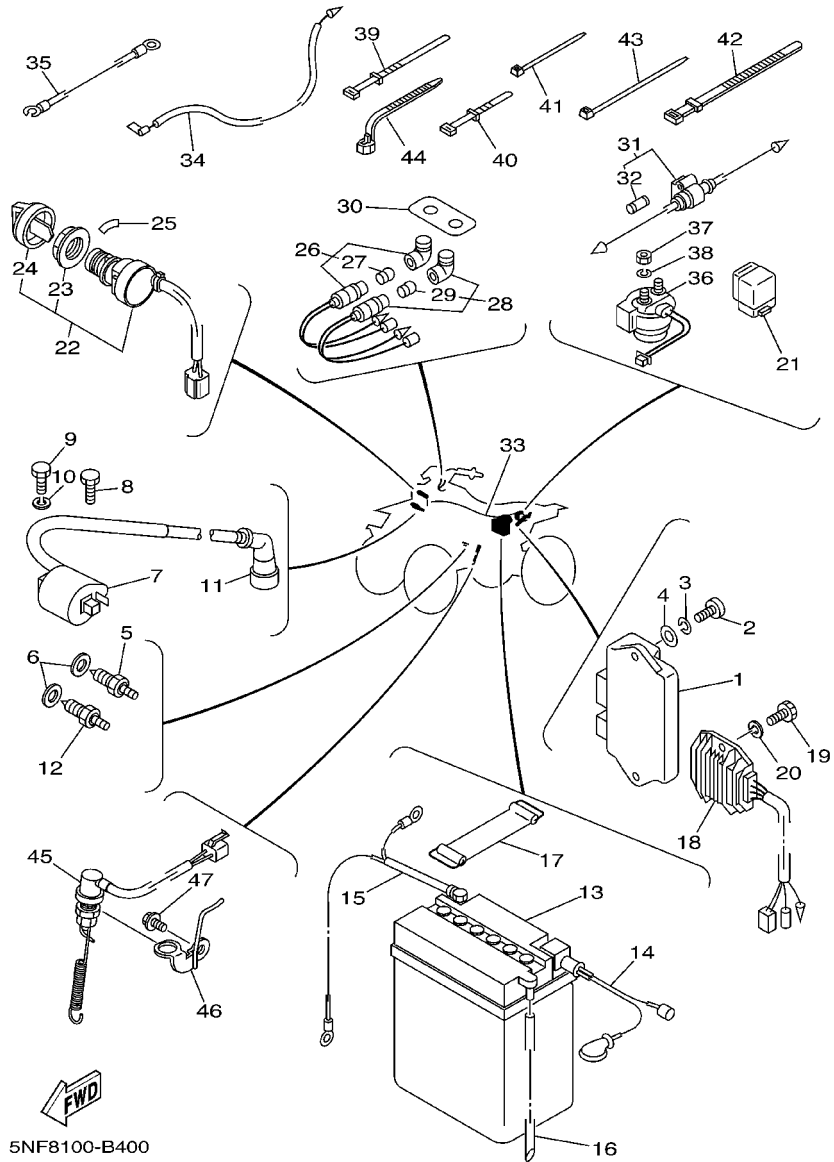


**FWD**  
5NF4100-2390

| REF. NO. | PART NO.     | DESCRIPTION              | USA | CAN | FRA | OOE | JPN | REMARKS |
|----------|--------------|--------------------------|-----|-----|-----|-----|-----|---------|
| 1        | 5LP-82910-00 | LEVER HOLDER ASSY (LEFT) | 1   | 1   | 1   | 1   | 1   |         |
| 2        | 4KB-82911-00 | .HOLDER, LEVER 1         | 1   | 1   | 1   | 1   | 1   |         |
| 3        | 5LP-83912-00 | .LEVER 1                 | 1   | 1   | 1   | 1   | 1   |         |
| 4        | 1UY-83922-01 | .LEVER 2                 | 1   | 1   | 1   | 1   | 1   |         |
| 5        | 1UY-83935-00 | .COVER                   | 1   | 1   | 1   | 1   | 1   |         |
| 6        | 1UY-83909-00 | .WASHER, SPECIAL         | 1   | 1   | 1   | 1   | 1   |         |
| 7        | 1UY-83967-00 | .PIN, LOCK 1             | 1   | 1   | 1   | 1   | 1   |         |
| 8        | 1UY-83913-00 | .COLLAR, LEVER 1         | 1   | 1   | 1   | 1   | 1   |         |
| 9        | 1UY-83966-00 | .SPRING, RETURN          | 1   | 1   | 1   | 1   | 1   |         |
| 10       | 1UY-83962-00 | .SPRING                  | 1   | 1   | 1   | 1   | 1   |         |
| 11       | 2XJ-82913-00 | .HOLDER, LEVER LOWER 1   | 1   | 1   | 1   | 1   | 1   |         |
| 12       | 90109-06576  | .BOLT                    | 1   | 1   | 1   | 1   | 1   |         |
| 13       | 95607-06100  | .NUT, U                  | 2   | 2   | 2   | 2   | 2   |         |
| 14       | 97027-06025  | .BOLT                    | 2   | 2   | 2   | 2   | 2   |         |
| 15       | 92907-06600  | .WASHER, PLATE           | 2   | 2   | 2   | 2   | 2   |         |
| 16       | 98507-05010  | .SCREW                   | 1   | 1   | 1   | 1   | 1   |         |
| 17       | 92907-05600  | .WASHER, PLATE           | 1   | 1   | 1   | 1   | 1   |         |
| 18       | 98507-03008  | .SCREW                   | 1   | 1   | 1   | 1   | 1   |         |
| 19       | 92907-03600  | .WASHER                  | 1   | 1   | 1   | 1   | 1   |         |
| 20       | 97007-06040  | .BOLT                    | 1   | 1   | 1   | 1   | 1   |         |
| 21       | 91690-40022  | .PIN, SPRING             | 1   | 1   | 1   | 1   | 1   |         |
| 22       | 90201-082A9  | .WASHER, PLATE           | 1   | 1   | 1   | 1   | 1   |         |
| 23       | 1UY-82917-00 | .SWITCH                  | 1   | 1   | 1   | 1   | 1   |         |
| 24       | 92907-06200  | .WASHER                  | 1   | 1   | 1   | 1   | 1   |         |
| 25       | 1UY-83956-00 | .CAP 1                   | 1   | 1   | 1   | 1   | 1   |         |
| 26       | 90123-08046  | .BOLT                    | 2   | 2   | 2   | 2   | 2   |         |
| 27       | 90179-08148  | .NUT                     | 2   | 2   | 2   | 2   | 2   |         |

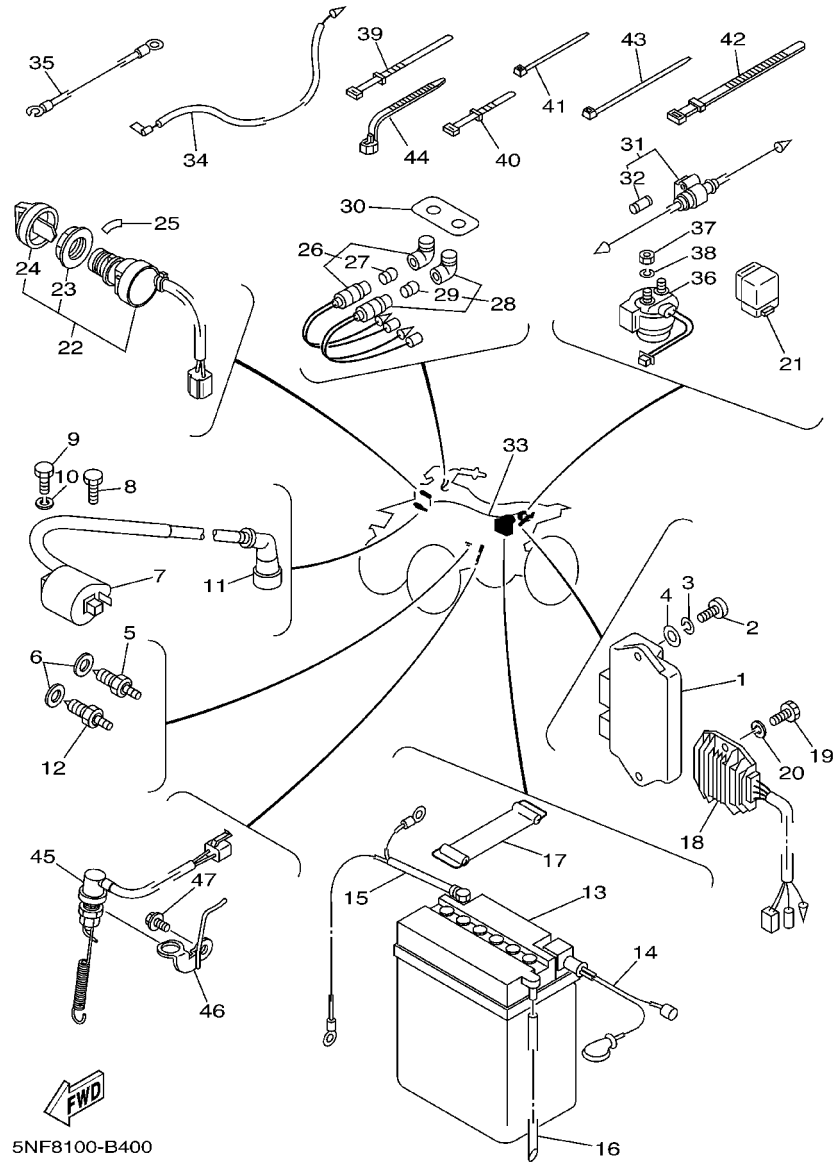


FIG. 40 ELECTRICAL 1



| REF. NO. | PART NO.     | DESCRIPTION                 | USA | CAN | FRA | OOE | JPN | REMARKS |
|----------|--------------|-----------------------------|-----|-----|-----|-----|-----|---------|
| 1        | 5NF-85540-00 | C.D.I. UNIT ASSY            | 1   | 1   | 1   | 1   | 1   |         |
| 2        | 98507-06020  | SCREW                       | 2   | 2   | 2   | 2   | 2   |         |
| 3        | 92907-06100  | WASHER, SPRING              | 2   | 2   | 2   | 2   | 2   |         |
| 4        | 92907-06600  | WASHER, PLATE               | 2   | 2   | 2   | 2   | 2   |         |
| 5        | 3GB-82540-01 | NEUTRAL SWITCH ASSY         | 1   | 1   | 1   | 1   | 1   |         |
| 6        | 90430-10148  | GASKET                      | 2   | 2   | 2   | 2   | 2   |         |
| 7        | 5KM-82310-00 | IGNITION COIL ASSY          | 1   | 1   | 1   | 1   | 1   |         |
| 8        | 90109-06723  | BOLT                        | 1   | 1   | 1   | 1   | 1   |         |
| 9        | 97007-06020  | BOLT                        | 1   | 1   | 1   | 1   | 1   |         |
| 10       | 92907-06100  | WASHER, SPRING              | 1   | 1   | 1   | 1   | 1   |         |
| 11       | 1UY-82370-20 | PLUG CAP ASSY               | 1   | 1   | 1   | 1   | 1   |         |
| 12       | 3GD-82540-11 | NEUTRAL SWITCH ASSY         | 1   | 1   | 1   | 1   | 1   |         |
| 13       | 1UY-82110-61 | BATTERY ASSY (GS 12CZ-4A-2) | 1   | 1   | 1   | 1   |     |         |
|          | 90793-25032  | BATTERY ASSY (GS 12CZ-4A-2) |     |     |     |     | 1   |         |
| 14       | 1UY-82115-00 | WIRE, PLUS LEAD             | 1   | 1   | 1   | 1   | 1   |         |
| 15       | 3GD-82116-00 | WIRE, MINUS LEAD            | 1   | 1   | 1   | 1   | 1   |         |
| 16       | 90445-08048  | HOSE (L730)                 | 1   | 1   | 1   | 1   | 1   |         |
| 17       | 337-82131-00 | BAND, BATTERY               | 1   | 1   | 1   | 1   | 1   |         |
| 18       | 4KB-81960-10 | RECTIFIER & REGULATOR ASSY  | 1   | 1   | 1   | 1   | 1   |         |
| 19       | 97007-06020  | BOLT                        | 2   | 2   | 2   | 2   | 2   |         |
| 20       | 92907-06600  | WASHER, PLATE               | 2   | 2   | 2   | 2   | 2   |         |
| 21       | 3GD-81950-01 | RELAY ASSY                  | 1   | 1   | 1   | 1   | 1   |         |
| 22       | 5LP-82510-00 | MAIN SWITCH ASSY            | 1   | 1   | 1   | 1   | 1   |         |
| 23       | 3HN-82569-00 | .NUT, MAIN SWITCH           | 1   | 1   | 1   | 1   | 1   |         |
| 24       | 3HN-82579-00 | .CAP, KEY                   | 1   | 1   | 1   | 1   | 1   |         |
| 25       | 29U-83585-10 | LABEL                       | 1   | 1   | 1   | 1   | 1   |         |
| 26       | 24W-83530-10 | PILOT LIGHT ASSY            | 1   | 1   | 1   | 1   | 1   | GREEN   |

FIG. 40 ELECTRICAL 1



| REF. NO. | PART NO.     | DESCRIPTION        | USA | CAN | FRA | OOE | JPN | REMARKS |
|----------|--------------|--------------------|-----|-----|-----|-----|-----|---------|
| 27       | 123-83516-21 | .BULB (12V-3.4W)   | 1   | 1   | 1   | 1   | 1   |         |
| 28       | 52G-83530-10 | PILOT LIGHT ASSY   | 1   | 1   | 1   | 1   | 1   | RED     |
| 29       | 123-83516-21 | .BULB (12V-3.4W)   | 1   | 1   | 1   | 1   | 1   |         |
| 30       | 1UY-83585-00 | LABEL              | 1   | 1   | 1   | 1   | 1   |         |
| 31       | 1UY-82150-00 | FUSE HOLDER ASSY   | 1   | 1   | 1   | 1   | 1   |         |
| 32       | 1UY-82151-00 | .FUSE              | 2   | 2   | 2   | 2   | 2   |         |
| 33       | 5NF-82590-00 | WIRE HARNESS ASSY  | 1   | 1   | 1   | 1   | 1   |         |
| 34       | 3HN-82541-00 | WIRE, LEAD         | 1   | 1   | 1   | 1   | 1   |         |
| 35       | 3GD-82509-10 | WIRE, SUB LEAD     | 1   | 1   | 1   | 1   | 1   |         |
| 36       | 4KD-81940-00 | STARTER RELAY ASSY | 1   | 1   | 1   | 1   | 1   |         |
| 37       | 95307-06700  | NUT                | 2   | 2   | 2   | 2   | 2   |         |
| 38       | 92907-06100  | WASHER, SPRING     | 2   | 2   | 2   | 2   | 2   |         |
| 39       | 437-83936-01 | BAND, SWITCH CORD  | 4   | 4   | 4   | 4   | 4   |         |
| 40       | 437-83936-11 | BAND, SWITCH CORD  | 4   | 4   | 4   | 4   | 4   |         |
| 41       | 90465-10098  | CLAMP              | 1   | 1   | 1   | 1   | 1   |         |
| 42       | 3TB-83936-00 | BAND, SWITCH CORD  | 1   | 1   | 1   | 1   | 1   |         |
| 43       | 90464-16061  | CLAMP              | 1   | 1   | 1   | 1   | 1   |         |
| 44       | 90464-15195  | CLAMP              | 1   | 1   | 1   | 1   | 1   |         |
| 45       | 5NF-82530-00 | STOP SWITCH ASSY   | 1   | 1   | 1   | 1   | 1   |         |
| 46       | 3GD-2144G-10 | STAY, STOP SWITCH  | 1   | 1   | 1   | 1   | 1   |         |
| 47       | 95807-06010  | BOLT, FLANGE       | 1   | 1   | 1   | 1   | 1   |         |



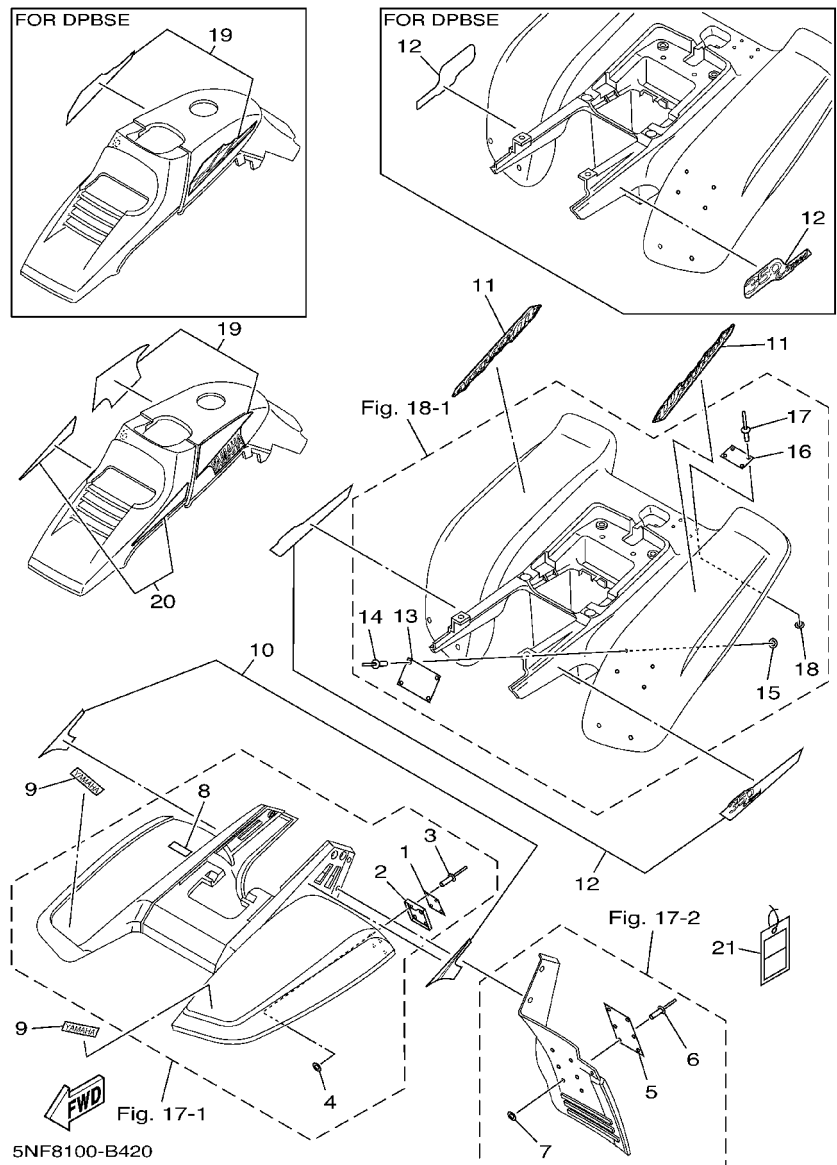


FIG. 42 EMBLEM.LABEL 1

| REF. NO. | PART NO.     | DESCRIPTION               | USA | CAN | FRA | OOE | JPN | REMARKS      |
|----------|--------------|---------------------------|-----|-----|-----|-----|-----|--------------|
| 1        | 5FE-21697-01 | LABEL, CAUTION 2          | 1   |     |     |     |     |              |
| 2        | 3JM-21591-10 | STAY, PLATE FITTING 2     | 1   |     |     |     |     | UR FOR DPBSE |
|          | 3JM-21591-40 | STAY, PLATE FITTING 2     | 1   |     |     |     |     | UR FOR YB    |
| 3        | 90267-32198  | RIVET, BLIND              | 4   |     |     |     |     |              |
| 4        | 90201-03313  | WASHER, PLATE             | 4   |     |     |     |     |              |
| 5        | 5FE-21568-01 | LABEL, WARNING            | 1   |     |     |     |     |              |
| 6        | 90267-32004  | RIVET, BLIND              | 6   |     |     |     |     |              |
| 7        | 90201-03313  | WASHER, PLATE             | 6   |     |     |     |     |              |
| 8        | 3GD-2151E-A0 | LABEL 2                   | 1   |     |     |     |     |              |
| 9        | 3GD-2153E-00 | EMBLEM, YAMAHA            | 2   |     |     |     |     | UR FOR DPBSE |
|          | 3GD-2153E-10 | EMBLEM, YAMAHA            | 2   |     |     |     |     | UR FOR YB    |
| 10       | 5NF-2157A-00 | GRAPHIC SET, FRONT FENDER | 1   |     |     |     |     | FOR YB       |
| 11       | 5NF-2163G-10 | EMBLEM 1                  | 2   |     |     |     |     | UR FOR DPBSE |
|          | 5NF-2163G-20 | EMBLEM 1                  | 2   |     |     |     |     | UR FOR YB    |
| 12       | 5NF-21784-00 | EMBLEM 4                  | 2   |     |     |     |     | UR FOR DPBSE |
|          | 5NF-2165B-00 | GRAPHIC SET, REAR FENDER  | 1   |     |     |     |     | UR FOR YB    |
| 13       | 3GD-21696-31 | LABEL, CAUTION            | 1   |     |     |     |     |              |
| 14       | 90267-32004  | RIVET, BLIND              | 4   |     |     |     |     |              |
| 15       | 90201-03313  | WASHER, PLATE             | 4   |     |     |     |     |              |
| 16       | 5FE-2151H-01 | LABEL 5                   | 1   |     |     |     |     |              |
| 17       | 90267-32004  | RIVET, BLIND              | 4   |     |     |     |     |              |
| 18       | 90201-03313  | WASHER, PLATE             | 4   |     |     |     |     |              |
| 19       | 5NF-24230-00 | GRAPHIC SET               | 1   |     |     |     |     | UR FOR DPBSE |
|          | 5NF-24230-10 | GRAPHIC SET               | 1   |     |     |     |     | UR FOR YB    |
| 20       | 5NF-24250-00 | GRAPHIC SET               | 1   |     |     |     |     | FOR YB       |
| 21       | 5LP-2819R-00 | TAG, WARNING              | 1   |     |     |     |     |              |



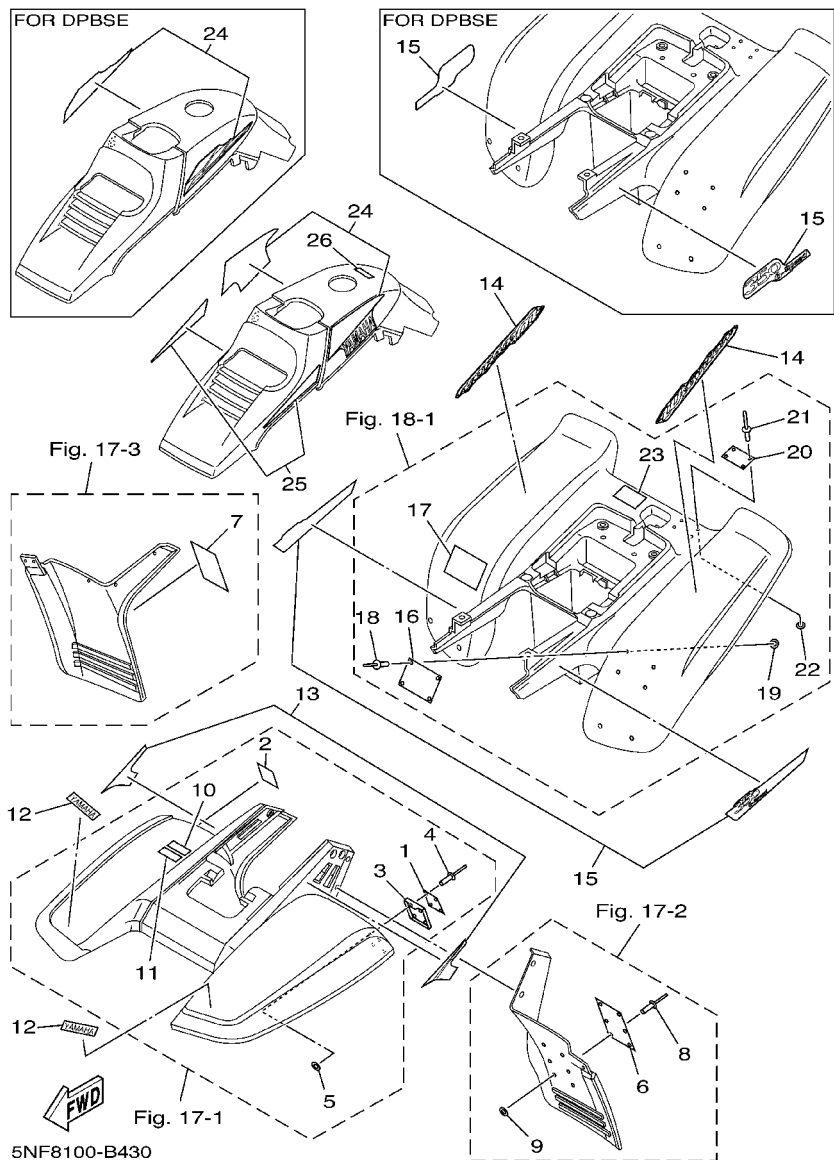


FIG. 43 EMBLEM.LABEL 2

| REF. NO. | PART NO.     | DESCRIPTION               | USA | CAN | FRA | OC | JPN | REMARKS      |
|----------|--------------|---------------------------|-----|-----|-----|----|-----|--------------|
| 1        | 5FE-21697-01 | LABEL, CAUTION 2          |     | 1   |     |    |     |              |
| 2        | 3JM-21697-10 | LABEL, CAUTION 2          |     | 1   |     |    |     | FRENCH       |
| 3        | 3JM-21591-10 | STAY, PLATE FITTING 2     |     | 1   |     |    |     | UR FOR DPBSE |
|          | 3JM-21591-40 | STAY, PLATE FITTING 2     |     | 1   |     |    |     | UR FOR YB    |
| 4        | 90267-32198  | RIVET, BLIND              |     | 4   |     |    |     |              |
| 5        | 90201-03313  | WASHER, PLATE             |     | 4   |     |    |     |              |
| 6        | 5FE-21568-01 | LABEL, WARNING            |     | 1   |     |    |     |              |
| 7        | 4WU-21568-10 | LABEL, WARNING            |     | 1   |     |    |     | FRENCH       |
| 8        | 90267-32004  | RIVET, BLIND              |     | 6   |     |    |     |              |
| 9        | 90201-03313  | WASHER, PLATE             |     | 6   |     |    |     |              |
| 10       | 3GD-2151E-A0 | LABEL 2                   |     | 1   |     |    |     |              |
| 11       | 3GD-2151E-B0 | LABEL 2                   |     | 1   |     |    |     |              |
| 12       | 3GD-2153E-00 | EMBLEM, YAMAHA            |     | 2   |     |    |     | UR FOR DPBSE |
|          | 3GD-2153E-10 | EMBLEM, YAMAHA            |     | 2   |     |    |     | UR FOR YB    |
| 13       | 5NF-2157A-00 | GRAPHIC SET, FRONT FENDER |     | 1   |     |    |     | FOR YB       |
| 14       | 5NF-2163G-10 | EMBLEM 1                  |     | 2   |     |    |     | UR FOR DPBSE |
|          | 5NF-2163G-20 | EMBLEM 1                  |     | 2   |     |    |     | UR FOR YB    |
| 15       | 5NF-21784-00 | EMBLEM 4                  |     | 2   |     |    |     | UR FOR DPBSE |
|          | 5NF-2165B-00 | GRAPHIC SET, REAR FENDER  |     | 1   |     |    |     | UR FOR YB    |
| 16       | 3GD-21696-31 | LABEL, CAUTION            |     | 1   |     |    |     |              |
| 17       | 3GD-21696-B0 | LABEL, CAUTION            |     | 1   |     |    |     | FRENCH       |
| 18       | 90267-32004  | RIVET, BLIND              |     | 4   |     |    |     |              |
| 19       | 90201-03313  | WASHER, PLATE             |     | 4   |     |    |     |              |
| 20       | 5FE-2151H-01 | LABEL 5                   |     | 1   |     |    |     |              |
| 21       | 90267-32004  | RIVET, BLIND              |     | 4   |     |    |     |              |
| 22       | 90201-03313  | WASHER, PLATE             |     | 4   |     |    |     |              |
| 23       | 4WU-2151H-10 | LABEL 5                   |     | 1   |     |    |     | FRENCH       |

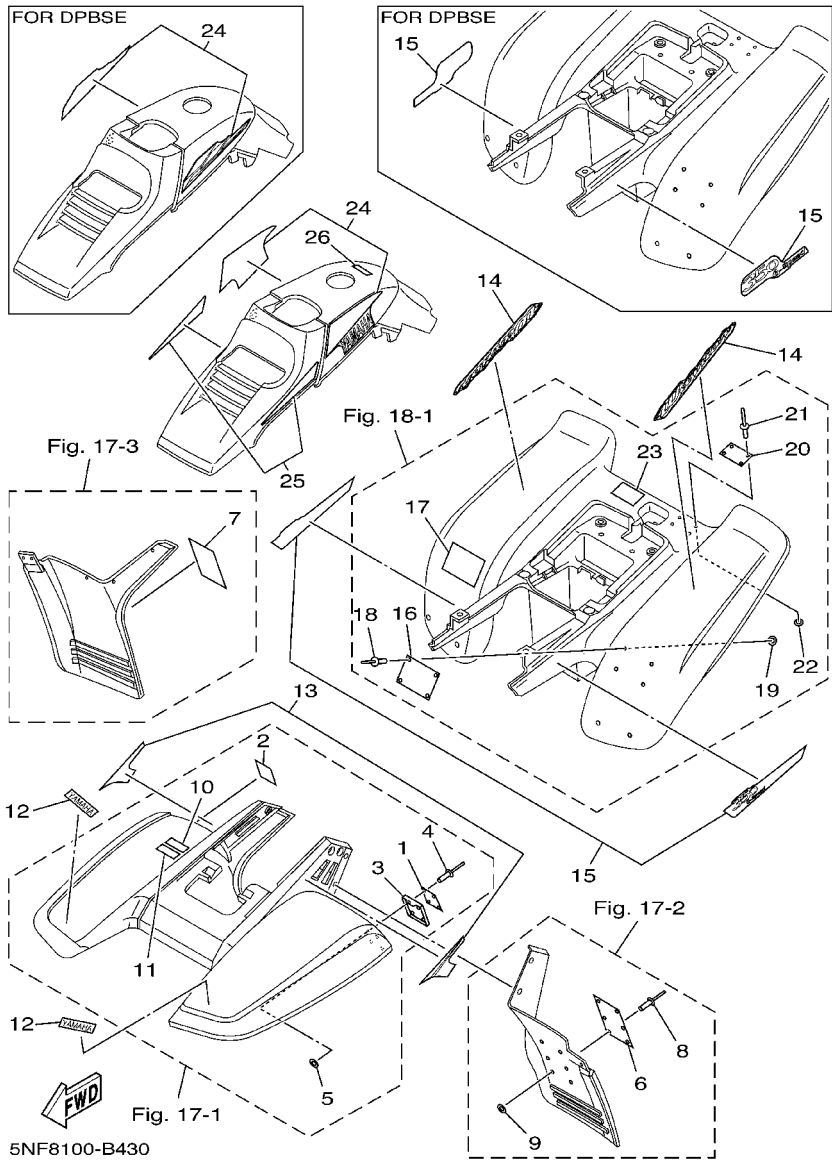
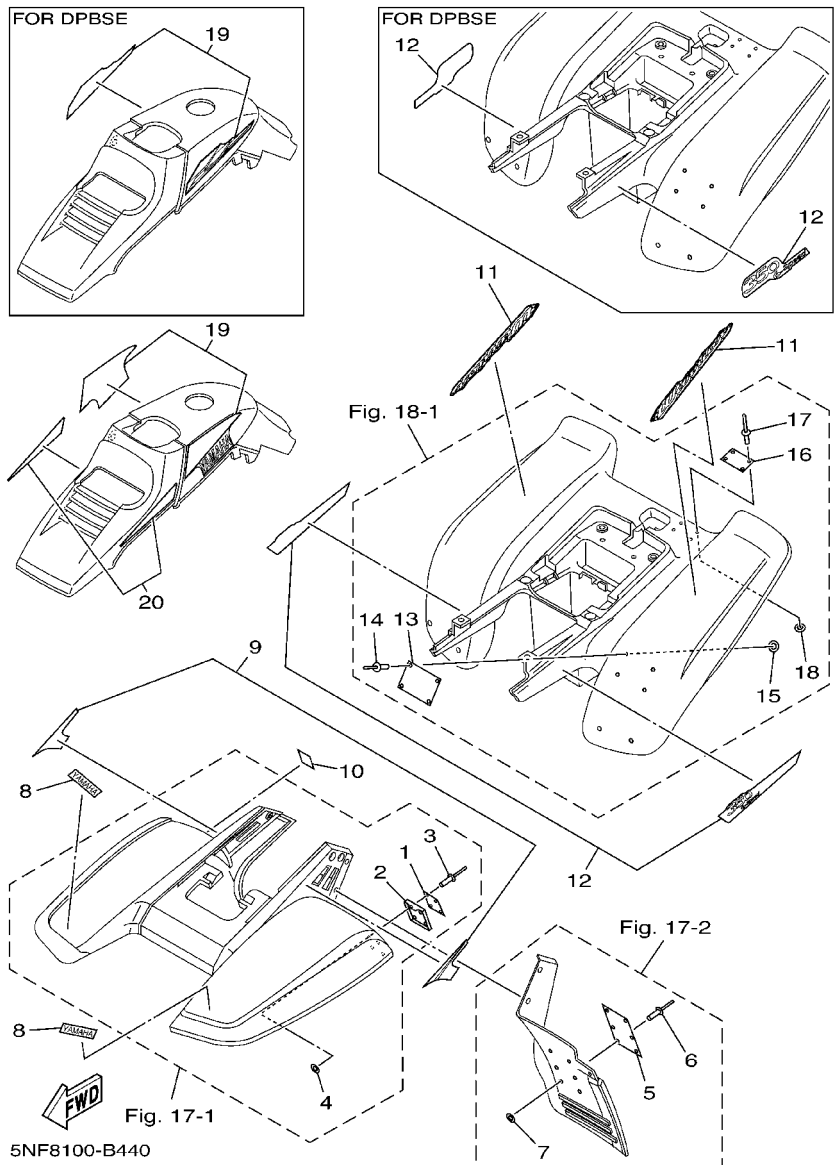


FIG. 43 EMBLEM.LABEL 2

| REF. NO. | PART NO.     | DESCRIPTION           | USA | CAN | FRA | OOE | JPN | REMARKS      |
|----------|--------------|-----------------------|-----|-----|-----|-----|-----|--------------|
| 24       | 5NF-24230-00 | GRAPHIC SET           |     | 1   |     |     |     | UR FOR DPBSE |
|          | 5NF-24230-10 | GRAPHIC SET           |     | 1   |     |     |     | UR FOR YB    |
| 25       | 5NF-24250-00 | GRAPHIC SET           |     | 1   |     |     |     | FOR YB       |
| 26       | 4SH-2416E-00 | LABEL, CAUTION CANADA |     | 1   |     |     |     |              |
| -----    |              |                       |     |     |     |     |     |              |
| -----    |              |                       |     |     |     |     |     |              |
| -----    |              |                       |     |     |     |     |     |              |
| -----    |              |                       |     |     |     |     |     |              |
| -----    |              |                       |     |     |     |     |     |              |
| -----    |              |                       |     |     |     |     |     |              |
| -----    |              |                       |     |     |     |     |     |              |
| -----    |              |                       |     |     |     |     |     |              |
| -----    |              |                       |     |     |     |     |     |              |
| -----    |              |                       |     |     |     |     |     |              |



**FIG. 44 EMBLEM.LABEL 3**

| REF. NO. | PART NO.     | DESCRIPTION               | USA | CAN | FRA | OOE | JPN | REMARKS      |
|----------|--------------|---------------------------|-----|-----|-----|-----|-----|--------------|
| 1        | 5FK-21697-00 | LABEL, CAUTION 2          |     |     |     | 1   |     |              |
| 2        | 3JM-21591-10 | STAY, PLATE FITTING 2     |     |     |     | 1   |     | UR FOR DPBSE |
|          | 3JM-21591-40 | STAY, PLATE FITTING 2     |     |     |     | 1   |     | UR FOR YB    |
| 3        | 90267-32198  | RIVET, BLIND              |     |     |     | 4   |     |              |
| 4        | 90201-03313  | WASHER, PLATE             |     |     |     | 4   |     |              |
| 5        | 5FK-21568-00 | LABEL, WARNING            |     |     |     | 1   |     |              |
| 6        | 90267-32004  | RIVET, BLIND              |     |     |     | 6   |     |              |
| 7        | 90201-03313  | WASHER, PLATE             |     |     |     | 6   |     |              |
| 8        | 3GD-2153E-00 | EMBLEM, YAMAHA            |     |     |     | 2   |     | UR FOR DPBSE |
|          | 3GD-2153E-10 | EMBLEM, YAMAHA            |     |     |     | 2   |     | UR FOR YB    |
| 9        | 5NF-2157A-00 | GRAPHIC SET, FRONT FENDER |     |     |     | 1   |     | FOR YB       |
| 10       | 4GB-2155A-00 | MARK, EC                  |     |     |     | 1   |     |              |
| 11       | 5NF-2163G-10 | EMBLEM 1                  |     |     |     | 2   |     | UR FOR DPBSE |
|          | 5NF-2163G-20 | EMBLEM 1                  |     |     |     | 2   |     | UR FOR YB    |
| 12       | 5NF-21784-00 | EMBLEM 4                  |     |     |     | 2   |     | UR FOR DPBSE |
|          | 5NF-2165B-00 | GRAPHIC SET, REAR FENDER  |     |     |     | 1   |     | UR FOR YB    |
| 13       | 5NF-21696-M0 | LABEL, CAUTION            |     |     |     | 1   |     |              |
| 14       | 90267-32004  | RIVET, BLIND              |     |     |     | 4   |     |              |
| 15       | 90201-03313  | WASHER, PLATE             |     |     |     | 4   |     |              |
| 16       | 5FK-2151H-00 | LABEL 5                   |     |     |     | 1   |     |              |
| 17       | 90267-32004  | RIVET, BLIND              |     |     |     | 4   |     |              |
| 18       | 90201-03313  | WASHER, PLATE             |     |     |     | 4   |     |              |
| 19       | 5NF-24230-00 | GRAPHIC SET               |     |     |     | 1   |     | UR FOR DPBSE |
|          | 5NF-24230-10 | GRAPHIC SET               |     |     |     | 1   |     | UR FOR YB    |
| 20       | 5NF-24250-00 | GRAPHIC SET               |     |     |     | 1   |     | FOR YB       |

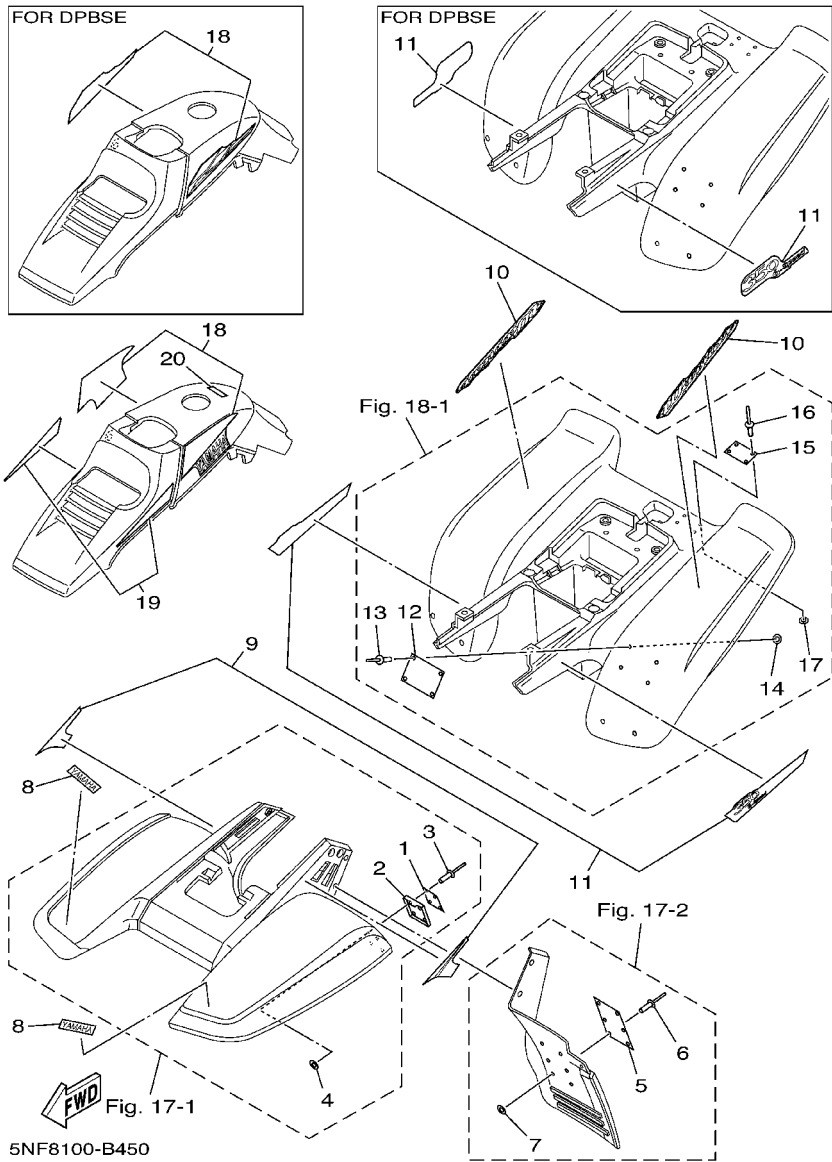
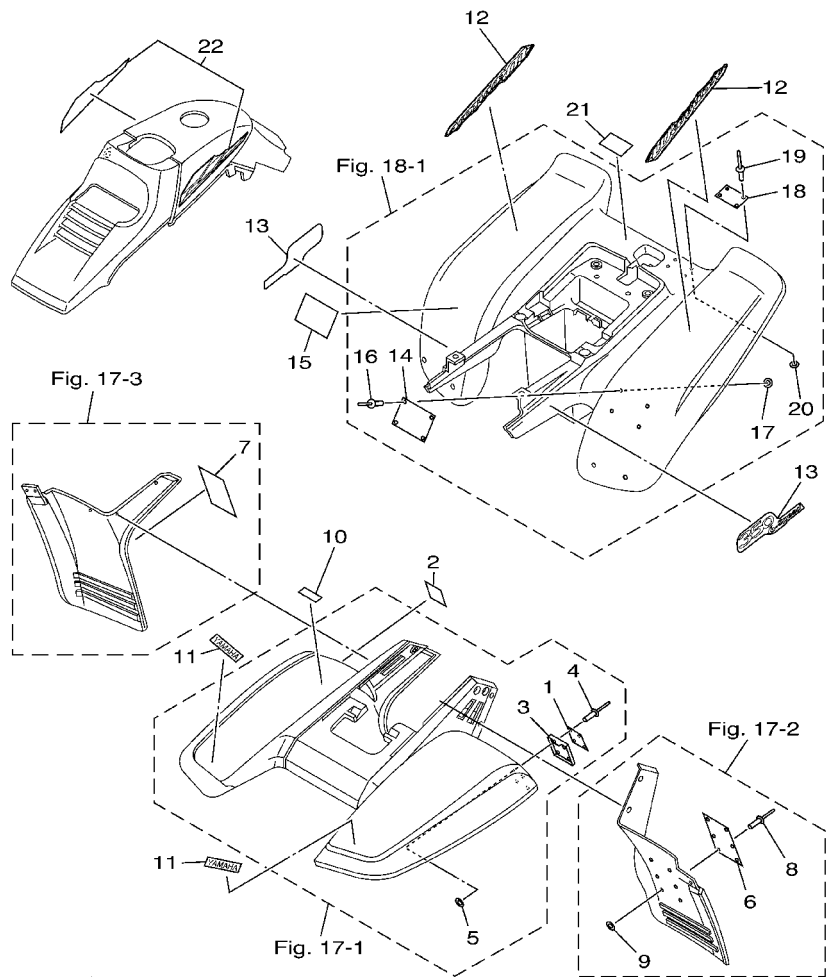


FIG. 45 EMBLEM.LABEL 4

| REF. NO. | PART NO.     | DESCRIPTION               | USA | CAN | FRA | OOE | JPN | REMARKS      |
|----------|--------------|---------------------------|-----|-----|-----|-----|-----|--------------|
| 1        | 5FE-21697-01 | LABEL, CAUTION 2          |     |     |     |     | 1   |              |
| 2        | 3JM-21591-10 | STAY, PLATE FITTING 2     |     |     |     |     | 1   | UR FOR DPBSE |
|          | 3JM-21591-40 | STAY, PLATE FITTING 2     |     |     |     |     | 1   | UR FOR YB    |
| 3        | 90267-32198  | RIVET, BLIND              |     |     |     |     | 4   |              |
| 4        | 90201-03313  | WASHER, PLATE             |     |     |     |     | 4   |              |
| 5        | 5FE-21568-11 | LABEL, WARNING            |     |     |     |     | 1   |              |
| 6        | 90267-32004  | RIVET, BLIND              |     |     |     |     | 6   |              |
| 7        | 90201-03313  | WASHER, PLATE             |     |     |     |     | 6   |              |
| 8        | 3GD-2153E-00 | EMBLEM, YAMAHA            |     |     |     |     | 2   | UR FOR DPBSE |
|          | 3GD-2153E-10 | EMBLEM, YAMAHA            |     |     |     |     | 2   | UR FOR YB    |
| 9        | 5NF-2157A-00 | GRAPHIC SET, FRONT FENDER |     |     |     |     | 1   | FOR YB       |
| 10       | 5NF-2163G-10 | EMBLEM 1                  |     |     |     |     | 2   | UR FOR DPBSE |
|          | 5NF-2163G-20 | EMBLEM 1                  |     |     |     |     | 2   | UR FOR YB    |
| 11       | 5NF-21784-00 | EMBLEM 4                  |     |     |     |     | 2   | UR FOR DPBSE |
|          | 5NF-2165B-00 | GRAPHIC SET, REAR FENDER  |     |     |     |     | 1   | UR FOR YB    |
| 12       | 3GD-21696-31 | LABEL, CAUTION            |     |     |     |     | 1   |              |
| 13       | 90267-32004  | RIVET, BLIND              |     |     |     |     | 4   |              |
| 14       | 90201-03313  | WASHER, PLATE             |     |     |     |     | 4   |              |
| 15       | 5FE-2151H-01 | LABEL 5                   |     |     |     |     | 1   |              |
| 16       | 90267-32004  | RIVET, BLIND              |     |     |     |     | 4   |              |
| 17       | 90201-03313  | WASHER, PLATE             |     |     |     |     | 4   |              |
| 18       | 5NF-24230-00 | GRAPHIC SET               |     |     |     |     | 1   | UR FOR DPBSE |
|          | 5NF-24230-10 | GRAPHIC SET               |     |     |     |     | 1   | UR FOR YB    |
| 19       | 5NF-24250-00 | GRAPHIC SET               |     |     |     |     | 1   | FOR YB       |
| 20       | 5JJ-2415A-00 | LABEL, CAUTION            |     |     |     |     | 1   |              |

FIG. 46 EMBLEM.LABEL 5

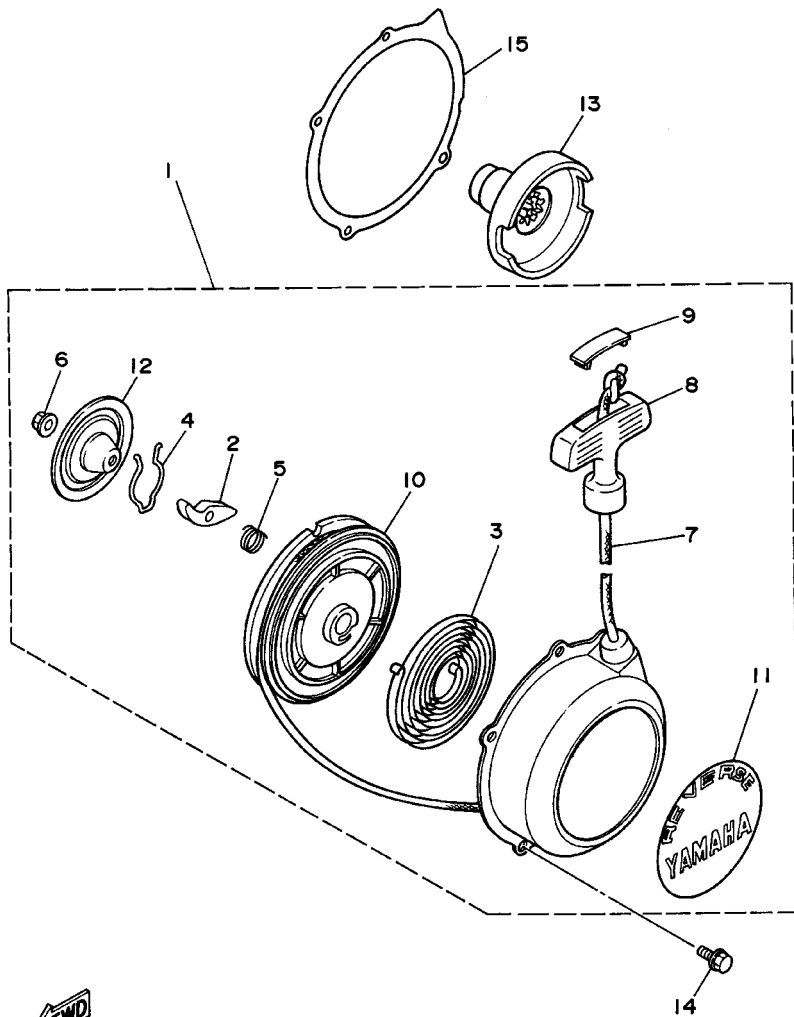


  
5NF8100-B460

| REF. NO. | PART NO.     | DESCRIPTION           | USA | CAN | FRA | OOE | JPN | REMARKS |
|----------|--------------|-----------------------|-----|-----|-----|-----|-----|---------|
| 1        | 5FE-21697-01 | LABEL, CAUTION 2      |     |     |     |     | 1   |         |
| 2        | 4SH-21697-00 | LABEL, CAUTION 2      |     |     |     |     | 1   |         |
| 3        | 3JM-21591-10 | STAY, PLATE FITTING 2 |     |     |     |     | 1   |         |
| 4        | 90267-32198  | RIVET, BLIND          |     |     |     |     | 4   |         |
| 5        | 90201-03313  | WASHER, PLATE         |     |     |     |     | 4   |         |
| 6        | 5FE-21568-11 | LABEL, WARNING        |     |     |     |     | 1   |         |
| 7        | 4SH-21568-00 | LABEL, WARNING        |     |     |     |     | 1   |         |
| 8        | 90267-32004  | RIVET, BLIND          |     |     |     |     | 6   |         |
| 9        | 90201-03313  | WASHER, PLATE         |     |     |     |     | 6   |         |
| 10       | 3GD-2151E-C0 | LABEL 2               |     |     |     |     | 1   |         |
| 11       | 3GD-2153E-00 | EMBLEM, YAMAHA        |     |     |     |     | 2   |         |
| 12       | 5NF-2163G-10 | EMBLEM 1              |     |     |     |     | 2   |         |
| 13       | 5NF-21784-00 | EMBLEM 4              |     |     |     |     | 2   |         |
| 14       | 3GD-21696-31 | LABEL, CAUTION        |     |     |     |     | 1   |         |
| 15       | 3GD-21696-C0 | LABEL, CAUTION        |     |     |     |     | 1   |         |
| 16       | 90267-32004  | RIVET, BLIND          |     |     |     |     | 4   |         |
| 17       | 90201-03313  | WASHER, PLATE         |     |     |     |     | 4   |         |
| 18       | 5FE-2151H-01 | LABEL 5               |     |     |     |     | 1   |         |
| 19       | 90267-32004  | RIVET, BLIND          |     |     |     |     | 4   |         |
| 20       | 90201-03313  | WASHER, PLATE         |     |     |     |     | 4   |         |
| 21       | 4LB-2151H-01 | LABEL 5               |     |     |     |     | 1   |         |
| 22       | 5NF-24230-00 | GRAPHIC SET           |     |     |     |     | 1   |         |

FIG. 47 ALTERNATE (ENGINE)

| REF. NO. | PART NO.     | DESCRIPTION       | USA | CAN | FRA | OC | JPN | REMARKS |
|----------|--------------|-------------------|-----|-----|-----|----|-----|---------|
| 1        | 1UY-15710-20 | STARTER ASSY      | 1   | 1   | 1   | 1  | 1   | AP      |
| 2        | 21V-15741-00 | .PAWL, DRIVE      | 1   | 1   | 1   | 1  | 1   |         |
| 3        | 21V-15713-00 | .SPRING, STARTER  | 1   | 1   | 1   | 1  | 1   |         |
| 4        | 21V-15715-01 | .SPRING, FRICTION | 1   | 1   | 1   | 1  | 1   |         |
| 5        | 21V-15767-00 | .SPRING           | 1   | 1   | 1   | 1  | 1   |         |
| 6        | 95702-06500  | .NUT, FLANGE      | 1   | 1   | 1   | 1  | 1   |         |
| 7        | 21V-15751-00 | .WIRE, STARTER    | 1   | 1   | 1   | 1  | 1   |         |
| 8        | 3X3-15755-00 | .HANDLE, STARTER  | 1   | 1   | 1   | 1  | 1   |         |
| 9        | 21V-15779-00 | .COVER            | 1   | 1   | 1   | 1  | 1   |         |
| 10       | 24W-15714-00 | .DRUM, SHEAVE     | 1   | 1   | 1   | 1  | 1   |         |
| 11       | 5GH-15443-01 | .EMBLEM           | 1   | 1   | 1   | 1  | 1   |         |
| 12       | 21V-15716-01 | .PLATE, DRIVE     | 1   | 1   | 1   | 1  | 1   |         |
| 13       | 1UY-15723-00 | PULLEY, STARTER   | 1   | 1   | 1   | 1  | 1   | AP      |
| 14       | 95027-06012  | BOLT, FLANGE      | 4   | 4   | 4   | 4  | 4   | AP      |
| 15       | 3GD-15699-00 | GASKET            | 1   | 1   | 1   | 1  | 1   | AP      |



**FWD**  
1UY110-7120

NUMERICAL INDEX

| PART NO.     | GRID NO. | PART NO.        | GRID NO. | PART NO.     | GRID NO. | PART NO.     | GRID NO. | PART NO.        | GRID NO. | PART NO.     | GRID NO. |
|--------------|----------|-----------------|----------|--------------|----------|--------------|----------|-----------------|----------|--------------|----------|
| 5LP-W0041-00 | E - 4    | 1UY-11631-01-Y0 | B - 5    | 1UY-14147-00 | B - 11   | 3GD-15100-01 | B - 14   | 1UY-17123-00    | C - 6    | 4WU-2151H-10 | F - 4    |
| 3GD-W0042-50 | E - 6    | 55V-11633-00    | B - 6    | 1YW-14147-00 | B - 11   | 30X-15351-00 | B - 9    | 1UY-17131-00    | C - 6    | 5FE-2151H-01 | F - 3    |
| 5LP-W0045-00 | D - 11   | 1UY-11636-01    | B - 5    | 2HR-14147-00 | B - 12   | 1UY-15362-01 | B - 15   | 1UY-17151-00    | C - 6    |              | F - 4    |
| 1UY-W0046-00 | D - 14   | 1UY-11638-01    | B - 5    | 214-14147-00 | B - 12   | 3R4-15381-00 | B - 14   | 1UY-17161-01    | C - 6    |              | F - 7    |
| 1UY-W0047-50 | D - 14   | 1UY-11651-00    | B - 5    | 137-14153-00 | B - 11   | 1UY-15383-00 | B - 14   | 1UY-17211-00    | C - 6    |              | F - 8    |
| 3GD-W0047-00 | D - 11   | 30X-11681-00    | B - 5    | 5V7-14153-00 | B - 12   | 3GD-15411-00 | B - 15   | 1UY-17221-00    | C - 6    | 5FK-2151H-00 | F - 6    |
| 1UY-W0048-50 | D - 11   | 1UY-12111-01    | B - 7    | 1UY-14155-00 | B - 12   | 1UY-15421-00 | B - 15   | 1UY-17223-01    | C - 6    | 1UY-21513-00 | C - 11   |
|              | D - 14   | 1UY-12113-01    | B - 7    | 802-14161-00 | B - 11   | 3GD-15431-10 | B - 15   | 1UY-17231-01    | C - 6    | 3GD-2153E-00 | F - 3    |
| 1UY-W0057-50 | D - 14   | 1UY-12114-01    | B - 7    | 36X-14169-00 | B - 12   | 1UY-15441-00 | B - 15   | 1UY-17241-00    | C - 6    |              | F - 4    |
| 3GD-W0057-00 | D - 11   | 3Y1-12116-00    | B - 7    | 22F-14173-00 | B - 12   | 5GH-15443-01 | F - 9    | 1UY-17243-00    | C - 7    |              | F - 6    |
| 1UY-W1141-00 | B - 5    | 3Y1-12117-01    | B - 7    | 2VA-14185-00 | B - 11   | 3GD-15451-00 | B - 15   | 1UY-17251-00    | C - 6    |              | F - 7    |
| 3GD-W215B-F3 | C - 11   | 1J7-12118-00    | B - 7    | 537-14186-00 | B - 11   | 3GD-15461-00 | B - 15   | 1UY-17253-00    | C - 7    |              | F - 8    |
| 3GD-W215B-G3 | C - 11   | 1J7-12119-01    | B - 7    | 2L1-14191-00 | B - 11   | 1UY-15512-00 | C - 3    | 1UY-17261-00    | C - 6    | 3GD-2153E-10 | F - 3    |
| 3GD-W215C-F2 | C - 11   | 1UY-12121-01    | B - 7    | 24W-14193-00 | B - 12   | 1UY-15517-01 | C - 3    | 1UY-17285-00    | C - 7    |              | F - 4    |
| 3GD-W215C-G2 | C - 11   | 3GD-12151-00    | B - 7    | 21V-14196-00 | B - 11   | 1UY-15521-02 | C - 3    | 1UY-17411-01    | C - 6    |              | F - 6    |
| 3GD-W2151-F2 | C - 11   | 3Y1-12156-00    | B - 7    | 1UY-14197-00 | B - 11   | 1UY-15590-01 | C - 3    | 1UY-17421-01    | C - 6    |              | F - 7    |
| 3GD-W2151-G2 | C - 11   | 31G-12158-00    | B - 7    | 1UY-14198-00 | B - 11   | 3GD-15699-00 | F - 9    | 1UY-17431-00    | C - 7    | 4GB-2155A-00 | F - 6    |
| 3GD-W2153-11 | C - 11   | 31G-12159-02    | B - 7    | 1HX-14231-63 | B - 12   | 1UY-15710-20 | F - 9    | 1UY-17432-01    | C - 6    | 1UY-21551-00 | C - 11   |
| 3GD-W2153-21 | C - 11   | 1UY-12170-00    | B - 8    | 620-14231-29 | B - 11   | 21V-15713-00 | F - 9    | 1UY-17523-00    | C - 7    | 1UY-21555-00 | C - 11   |
| 3GD-W2154-11 | C - 11   | 3HN-12176-00    | B - 8    | 1UY-14411-02 | B - 10   | 24W-15714-00 | F - 9    | 1UY-17582-00    | C - 7    | 1UY-21561-00 | C - 11   |
| 3GD-W2156-D1 | C - 11   | 31G-12210-01    | B - 8    | 1UY-14412-01 | B - 10   | 21V-15715-01 | F - 9    | 1UY-18101-01    | C - 8    | 4SH-21568-00 | F - 8    |
| 3GD-W216C-F1 | C - 12   | 3GD-12213-00    | B - 8    | 31A-14419-00 | B - 10   | 21V-15716-01 | F - 9    | 1UY-18110-00    | C - 9    | 4WU-21568-10 | F - 4    |
| 3GD-W216C-G0 | C - 12   | 31G-12214-00    | B - 8    | 3GD-1442F-00 | B - 10   | 1UY-15719-00 | B - 15   | 1UY-18112-01    | C - 8    | 5FE-21568-01 | F - 3    |
| 3GD-W2161-F1 | C - 12   | 31G-12222-00    | B - 8    | 1UY-14437-02 | B - 10   | 1UY-15723-00 | F - 9    | 132-18113-01    | C - 9    |              | F - 4    |
| 3GD-W2161-G0 | C - 12   | 3Y1-12231-01    | B - 8    | 1UY-14451-00 | B - 10   | 21V-15741-00 | F - 9    | 2XK-18115-00    | C - 9    | 5FE-21568-11 | F - 7    |
| 3Y1-1111F-00 | B - 2    | 1UY-12241-00    | B - 8    | 1UY-14453-00 | B - 10   | 21V-15751-00 | F - 9    | 4G0-18127-00    | C - 8    |              | F - 8    |
| 1UY-11110-02 | B - 2    | 1UY-13161-01    | B - 9    | 10M-14457-00 | B - 10   | 3X3-15755-00 | F - 9    | 1UY-18140-00    | C - 8    | 5FK-21568-00 | F - 6    |
| 3Y1-11127-00 | B - 2    | 1UY-13300-00    | B - 9    | 59V-14457-00 | B - 10   | 21V-15767-00 | F - 9    | 4SH-18198-00    | E - 2    | 5NF-2157A-00 | F - 3    |
| 31G-11127-00 | B - 2    | 1UY-13324-00    | B - 9    | 1UY-14458-01 | B - 10   | 21V-15779-00 | F - 9    | 1UY-18311-00    | C - 8    |              | F - 4    |
| 3Y1-11133-11 | B - 2    | 1UY-13326-00    | B - 9    | 1UY-14468-00 | B - 10   | 3GD-15787-02 | B - 15   | 3GD-18420-00    | C - 8    |              | F - 6    |
| 31G-11161-00 | B - 2    | 3GD-13329-00    | B - 9    | 1UY-14504-00 | B - 12   | 1UY-16111-10 | C - 4    | 1YW-18511-00    | C - 8    |              | F - 7    |
| 371-11167-01 | B - 14   | 51Y-13411-00    | B - 9    | 1FN-14565-00 | B - 11   | 2NL-16150-00 | C - 4    | 4GB-18512-00    | C - 8    | 3JM-21591-10 | F - 3    |
| 1UY-11181-01 | B - 2    | 2XK-13416-00    | B - 9    | 1UY-14565-00 | B - 11   | 30X-16154-00 | C - 4    | 1UY-18513-00    | C - 8    |              | F - 4    |
| 3Y1-11185-00 | B - 2    | 1UY-13440-02    | B - 9    | 1UY-14611-02 | B - 13   | 1UY-16181-00 | C - 5    | 1UY-18531-00    | C - 8    |              | F - 6    |
| 2NL-11186-00 | B - 2    | 3GD-13447-00    | B - 9    | 3GD-14613-00 | B - 13   | 31A-16321-01 | C - 4    | 2A6-18531-00    | C - 8    |              | F - 7    |
| 2NL-11187-00 | B - 2    | 1UY-13586-02    | B - 10   | 1YW-14628-00 | B - 13   | 3J2-16324-00 | C - 4    | 4GB-18531-00    | C - 8    |              | F - 8    |
| 1UY-11310-03 | B - 4    | 3GD-14101-00    | B - 11   | 1UY-14711-04 | B - 13   | 168-16325-00 | C - 4    | 1UY-18540-00    | C - 8    | 3JM-21591-40 | F - 3    |
| 4KB-11351-00 | B - 4    | 3GD-14101-10    | B - 11   | 1UY-14715-00 | B - 13   | 5Y1-16331-01 | C - 4    | 3GH-18542-00    | C - 8    |              | F - 4    |
| 1UY-11400-00 | B - 5    | 2VA-14103-00    | B - 12   | 1UY-14718-00 | B - 13   | 1UY-16340-00 | C - 4    | 3GD-21110-22-35 | C - 10   |              | F - 6    |
| 1UY-11422-00 | B - 5    | 21V-14105-00    | B - 11   | 21V-14752-00 | B - 13   | 1UY-16351-00 | C - 4    | 1UY-21315-00    | C - 10   |              | F - 7    |
| 1UY-11454-00 | B - 6    | 1UY-14107-25    | B - 11   | 3YF-14755-00 | B - 13   | 1UY-16352-00 | C - 4    | 1UY-21316-00    | C - 10   | 1UY-21613-00 | C - 12   |
| 30X-11496-00 | B - 5    | 1UY-14112-00    | B - 12   | 4BD-14766-00 | B - 13   | 1UY-16356-00 | C - 5    | 3GD-2144G-10    | E - 15   | 1UY-21614-00 | C - 12   |
| 3Y1-11531-02 | B - 5    | 22F-14126-00    | B - 12   | 26H-1490H-00 | B - 11   | 1UY-16358-00 | C - 4    | 1UY-21471-00    | C - 10   | 3GD-21621-00 | C - 12   |
| 1UY-11536-01 | B - 6    | 737-14137-00    | B - 11   | 1UY-1490J-00 | B - 11   | 1UY-16371-02 | C - 4    | 3GD-2151E-A0    | F - 3    | 5NF-2163G-10 | F - 3    |
| 30X-11565-00 | B - 5    | 812-14137-00    | B - 12   | 3GD-1490J-10 | B - 11   | 1UY-16382-00 | C - 4    |                 | F - 4    |              | F - 4    |
| 4GB-11610-00 | B - 5    | 1UY-14141-36    | B - 12   | 59V-14962-00 | B - 11   | 5Y1-16383-00 | C - 4    | 3GD-2151E-B0    | F - 4    |              | F - 6    |
| 4GB-11610-20 | B - 5    | 3GD-14141-36    | B - 12   | 1UY-14993-00 | B - 12   | 3LD-16398-00 | C - 5    | 3GD-2151E-C0    | F - 8    |              | F - 7    |
| 4GB-11610-40 | B - 5    | 4G0-14142-42    | B - 11   | 2A2-14997-00 | B - 12   | 1UY-17121-00 | C - 6    | 4LB-2151H-01    | F - 8    |              | F - 8    |

NUMERICAL INDEX

| PART NO.        | GRID NO. | PART NO.        | GRID NO. | PART NO.        | GRID NO. | PART NO.     | GRID NO. | PART NO.        | GRID NO. | PART NO.     | GRID NO. |
|-----------------|----------|-----------------|----------|-----------------|----------|--------------|----------|-----------------|----------|--------------|----------|
| 5NF-2163G-20    | F- 3     | 2XK-22210-10-36 | D- 2     | 5NF-24230-00    | F- 7     | 5MV-25833-00 | E- 4     | 1NV-26398-00    | D- 15    | 3GD-82540-11 | E- 14    |
|                 | F- 4     | 2XK-22210-10-6W | D- 2     |                 | F- 8     | 2KF-25852-50 | E- 6     | 371-27114-00    | D- 9     | 4KD-82540-00 | E- 2     |
|                 | F- 6     | 2XK-22210-20-36 | D- 2     | 5NF-24230-10    | F- 3     | 5LP-25852-01 | E- 4     | 4N0-27114-00    | C- 14    | 3HN-82541-00 | E- 15    |
|                 | F- 7     | 2XK-22210-20-6W | D- 2     |                 | F- 5     | 360-25854-01 | E- 6     | 3GD-27211-40    | E- 5     | 3HN-82569-00 | E- 14    |
| 1UY-21638-00    | C- 12    | 2XK-22210-30-36 | D- 2     |                 | F- 6     | 4L0-25854-00 | E- 4     | 4SS-27218-00    | E- 6     | 3HN-82579-00 | E- 14    |
| 1UY-21639-00    | C- 12    | 2XK-22210-30-6W | D- 2     |                 | F- 7     | 2GU-25855-00 | E- 6     | 2YK-27222-00    | E- 6     | 5NF-82590-00 | E- 15    |
| 5NF-2165B-00    | F- 3     | 2XK-22210-40-36 | D- 2     | 5NF-24250-00    | F- 3     | 2GU-25866-00 | E- 4     | 5NF-27411-00    | E- 5     | 5LP-82910-00 | E- 12    |
|                 | F- 4     | 38W-22212-10-36 | D- 2     |                 | F- 5     | 5LP-25867-00 | E- 4     | 5NF-27421-00    | E- 5     | 4KB-82911-00 | E- 12    |
|                 | F- 6     | 38W-22212-10-6W | D- 2     |                 | F- 6     | 3GD-25871-00 | E- 4     | 3GD-27445-00    | E- 5     | 2XJ-82913-00 | E- 12    |
|                 | F- 7     | 22W-22214-01    | D- 2     |                 | F- 7     | 3GD-25872-02 | E- 4     | 3GD-27446-00    | E- 5     | 4V4-82913-00 | D- 15    |
| 3GD-21691-00    | C- 12    | 1RK-22215-00    | D- 2     | 21V-24500-10    | D- 8     | 3GD-25873-02 | E- 4     | 2XK-28100-00    | C- 10    | 1UY-82917-00 | E- 12    |
| 3GD-21696-B0    | F- 4     | 38W-22223-00    | D- 2     | 4X8-24512-00    | D- 8     | 3GD-25874-02 | E- 6     | 1NV-2811A-01    | C- 10    | 4KB-82917-00 | E- 13    |
| 3GD-21696-C0    | F- 8     | 4AA-22259-40    | D- 2     | 3AJ-24523-00    | D- 8     | 3GD-25882-00 | E- 4     | 5LP-2819R-00    | F- 3     | 123-83516-21 | E- 15    |
| 3GD-21696-31    | F- 3     | 4AA-22259-50    | D- 2     | 3AJ-24534-00    | D- 8     | 5MV-2589F-00 | E- 4     | 5GT-2836B-10    | D- 15    | 24W-83530-10 | E- 14    |
|                 | F- 4     | 4AA-22259-70    | D- 2     | 5KM-24610-00    | D- 8     | 4NK-2589H-00 | E- 4     | 1UY-28415-00    | E- 7     | 52G-83590-10 | E- 15    |
|                 | F- 7     | 4AA-22259-80    | D- 2     | 5NF-2470F-00    | D- 9     | 47X-25894-00 | E- 6     | 3GD-2845N-00-35 | E- 7     | 1UY-83585-00 | E- 15    |
|                 | F- 8     | 1UY-22262-00    | D- 3     | 5NF-24710-00    | D- 9     | 1UY-25895-00 | E- 6     | 3GD-2845R-00    | E- 7     | 29U-83585-10 | E- 14    |
| 5NF-21696-M0    | F- 6     | 3GD-23174-20    | C- 11    | 22W-24741-00    | D- 9     | 1UY-25917-51 | D- 14    | 3GD-2845R-10    | E- 7     | 1UY-83909-00 | E- 12    |
| 3JM-21697-10    | F- 4     | 3GD-23174-30    | C- 11    | 4K0-24774-00    | D- 9     | 1UY-25924-51 | D- 14    | 1UY-81175-01    | C- 2     | 5LP-83912-00 | E- 12    |
| 4SH-21697-00    | F- 8     | 2XJ-2331R-00    | D- 7     | 4K0-24775-00    | D- 9     | 3GD-25933-00 | D- 11    | 5NF-81410-00    | E- 8     | 1UY-83913-00 | E- 12    |
| 5FE-21697-01    | F- 3     | 3GD-23350-00-36 | D- 7     | 3GD-24776-00    | D- 9     | 1UY-25972-51 | D- 14    | 5NF-81450-00    | E- 8     | 1UY-83922-01 | E- 12    |
|                 | F- 4     | 3GD-23350-00-6W | D- 7     | 3GD-25111-01    | D- 10    | 1UY-25977-51 | D- 14    | 1UY-81815-50    | E- 9     | 5LP-83922-00 | E- 4     |
|                 | F- 7     | 3GD-23391-B0    | C- 13    | 1UY-25117-00    | D- 10    | 5LP-26111-00 | D- 15    | 1UY-81818-50    | E- 9     | 1UY-83935-00 | E- 12    |
|                 | F- 8     | 3GD-23391-70    | C- 13    | 3GD-25127-10    | D- 10    | 3GD-26124-10 | D- 15    | 1UY-81820-51    | E- 9     | 3TB-83936-00 | E- 15    |
| 5FK-21697-00    | F- 6     | 3GD-23501-00    | D- 10    | 3GD-2514A-10    | D- 11    | 1NV-26129-00 | D- 15    | 3GD-81826-00    | E- 9     | 437-83936-01 | E- 11    |
| 1UY-2171A-10    | C- 13    | 3GD-23502-00    | D- 10    | 3GD-2515A-10    | D- 11    | 1UY-26137-00 | C- 10    | 8L6-81840-50    | E- 9     | 437-83936-11 | E- 15    |
| 3GD-2171A-A0    | C- 13    | 1UY-23517-00    | D- 6     | 2XK-25180-10-HM | D- 10    | 2XK-26151-10 | D- 15    | 4H7-81843-50    | E- 9     | 1UY-83956-00 | E- 12    |
| 1UY-21747-00    | C- 11    | 3GD-23540-00-35 | D- 6     | 3GD-25311-11-35 | D- 12    | 1UY-26152-00 | D- 15    | 4H7-81844-50    | E- 9     | 1UY-83962-00 | E- 12    |
| 1UY-21778-00    | C- 13    | 3GD-23550-00-35 | D- 6     | 2XK-25317-00    | D- 12    | 1UY-26153-00 | E- 2     | 1UY-81847-50    | E- 9     | 1UY-83965-00 | E- 13    |
| 5NF-21784-00    | F- 3     | 3GD-23570-00-35 | D- 6     | 1UY-25367-00    | D- 12    | 2XK-26154-00 | D- 15    | 8L6-81847-50    | E- 9     | 1UY-83966-00 | E- 12    |
|                 | F- 4     | 3GD-23580-00-35 | D- 6     | 3GD-25381-00    | D- 12    | 1UY-26157-00 | E- 2     | 1UY-81890-00    | E- 9     | 1UY-83967-00 | E- 12    |
|                 | F- 6     | 1UY-23812-00    | D- 4     | 5LP-25383-00    | D- 12    | 1UY-26158-00 | E- 2     | 4KD-81940-00    | E- 15    | 1UY-83973-00 | E- 13    |
|                 | F- 7     | 3GD-23813-20    | D- 4     | 3GD-25386-00    | D- 12    | 1UY-26161-00 | E- 2     | 3GD-81950-01    | E- 14    | 4KB-83973-00 | E- 13    |
|                 | F- 8     | 8K1-23814-00    | D- 4     | 3GD-25388-00    | D- 12    | 2XK-26162-10 | E- 2     | 4KB-81960-10    | E- 14    | 5LP-83980-00 | E- 4     |
| 3GD-2179T-30    | B- 10    | 3GD-23831-00    | D- 4     | 2XK-25390-01-HM | D- 12    | 2XK-26165-00 | E- 2     | 1UY-82110-61    | E- 14    | 4KB-84117-00 | E- 10    |
| 3GD-22110-20-35 | C- 14    | 1UY-23841-01    | D- 4     | 2XK-25412-00    | D- 12    | 3GD-26166-00 | E- 2     | 1UY-82115-00    | E- 14    | 4KB-84169-00 | E- 10    |
| 2K6-22128-01    | C- 14    | 1UY-23845-01    | D- 4     | 2XJ-25440-20    | D- 12    | 5LP-26241-00 | D- 15    | 3GD-82116-00    | E- 14    | 4KB-84314-01 | E- 10    |
| 23X-22129-00    | C- 14    | 3GD-23868-01    | D- 4     | 2XK-25712-00    | D- 14    | 1NV-2625G-01 | D- 15    | 29W-82123-00    | C- 12    | 5KM-84320-00 | E- 10    |
| 1UY-22141-01    | C- 14    | 2GU-23872-00    | C- 10    | 5LP-2580T-00    | D- 11    | 1NV-26250-01 | D- 15    | 337-82131-00    | E- 14    | 2GU-84330-70 | E- 10    |
| 1UY-22151-00    | C- 14    | 1UY-23894-01    | D- 4     | 5LP-2580U-00    | D- 11    | 1UY-26259-00 | E- 4     | 1UY-82150-00    | E- 15    | 2GU-84331-00 | E- 10    |
| 1UY-2217A-00    | C- 14    | 1UY-24110-01    | D- 8     | 1UY-2580W-00    | D- 14    | 1NV-2628F-00 | D- 15    | 1UY-82151-00    | E- 15    | 2GU-84332-00 | E- 10    |
| 1UY-2217F-00    | C- 14    | 1UY-2414H-00    | D- 8     | 29L-2582A-50    | E- 6     | 1NV-2628G-00 | D- 15    | 5KM-82310-00    | E- 14    | 2GU-84334-00 | E- 10    |
| 30X-22178-00    | C- 10    | 5JJ-2415A-00    | F- 7     | 3GD-2582T-00    | D- 11    | 1NV-26304-00 | D- 15    | 1UY-82370-20    | E- 14    | 5LP-84334-00 | E- 10    |
| 3GD-22184-00    | C- 14    | 4SH-2416E-00    | F- 5     | 3GD-2582W-00    | D- 14    | 3GD-26311-01 | D- 15    | 2XK-82507-00    | E- 3     | 2GU-84338-00 | E- 10    |
| 4V4-22184-00    | C- 10    | 3GD-24181-00    | D- 8     | 3GD-25827-00    | D- 11    | 1UY-26335-00 | D- 15    | 3GD-82509-10    | E- 15    | 5EH-84340-00 | E- 10    |
| 3GD-2219X-00    | C- 15    | 5NF-24230-00    | F- 3     | 3GD-25828-00    | D- 11    | 1UY-26341-02 | D- 15    | 5LP-82510-00    | E- 14    | 4KB-84344-00 | E- 10    |
| 38W-22199-00    | C- 14    |                 | F- 5     | 5LP-2583T-01    | E- 4     | 1UY-2637A-01 | D- 15    | 5NF-82530-00    | E- 15    | 3GD-84345-00 | E- 10    |
| 2XK-22201-00    | D- 2     |                 | F- 6     | 3GD-2583V-10    | E- 6     | 1UY-26372-00 | E- 2     | 3GB-82540-01    | E- 14    | 4KB-84365-00 | E- 10    |



NUMERICAL INDEX

| PART NO.     | GRID NO. | PART NO.    | GRID NO. | PART NO.    | GRID NO. | PART NO.    | GRID NO. | PART NO.    | GRID NO. | PART NO.    | GRID NO. |
|--------------|----------|-------------|----------|-------------|----------|-------------|----------|-------------|----------|-------------|----------|
| 4KB-84526-00 | E - 10   | 90149-06306 | C - 12   | 90201-08085 | B - 10   | 90215-16156 | C - 4    | 90430-06014 | B - 15   | 91401-16012 | E - 6    |
| 3FA-84702-10 | E - 11   | 90149-08268 | D - 11   |             | C - 5    | 90215-16222 | C - 4    | 90430-06192 | B - 2    | 91401-20020 | D - 10   |
| 3FA-84702-20 | E - 11   | 90149-08329 | C - 3    | 90201-082A9 | E - 12   | 90215-16258 | C - 4    | 90430-08119 | B - 9    |             | D - 4    |
| 3FA-84702-30 | E - 11   | 90150-06037 | C - 12   | 90201-08326 | B - 13   | 90215-16270 | B - 6    | 90430-10148 | E - 14   |             | D - 5    |
| 3FA-84710-00 | E - 11   | 90151-05023 | B - 15   | 90201-08753 | C - 10   | 90215-21239 | C - 7    | 90430-14194 | C - 8    | 91401-30025 | D - 10   |
| 1A2-84714-41 | E - 11   | 90151-06010 | B - 9    | 90201-100E9 | C - 15   | 90240-07105 | B - 5    | 90430-14240 | B - 2    | 91401-30030 | D - 12   |
| 2EK-85111-00 | F - 2    | 90159-06056 | E - 6    |             | D - 2    | 90240-08013 | E - 6    | 90445-08048 | E - 14   | 91609-40016 | E - 2    |
| 3Y6-85130-02 | F - 2    | 90159-06082 | C - 13   | 90201-10118 | E - 4    | 90267-32004 | F - 3    | 90445-084J1 | D - 8    | 91690-40022 | E - 12   |
| 449-85131-02 | F - 2    | 90159-06123 | C - 4    |             | E - 6    |             | F - 4    | 90445-11663 | D - 8    | 92017-08016 | E - 5    |
| 5NF-85540-00 | E - 14   | 90170-06289 | C - 9    | 90201-10128 | B - 2    |             | F - 6    | 90445-16594 | B - 14   | 92017-08020 | E - 2    |
| 90101-08777  | D - 12   |             | E - 2    | 90201-10430 | C - 14   |             | F - 7    | 90460-56105 | B - 10   | 92017-08030 | E - 6    |
| 90101-10303  | B - 8    | 90170-08258 | D - 12   |             | C - 15   |             | F - 8    | 90460-75020 | B - 10   | 92502-06008 | B - 11   |
| 90101-10568  | B - 5    | 90170-10186 | D - 4    |             | D - 2    | 90267-32198 | F - 3    | 90464-15195 | E - 15   | 92902-04100 | B - 11   |
| 90101-10689  | D - 13   | 90170-16326 | B - 6    |             | D - 6    |             | F - 4    | 90464-16061 | E - 15   | 92906-04100 | E - 6    |
| 90101-12695  | D - 12   |             | C - 4    |             | D - 7    |             | F - 6    | 90465-08122 | B - 15   | 92906-04600 | E - 6    |
| 90105-08440  | D - 14   | 90170-16343 | C - 4    | 90201-10591 | B - 8    |             | F - 7    | 90465-10098 | E - 15   | 92907-03600 | E - 12   |
| 90105-08538  | D - 11   | 90170-38377 | D - 14   | 90201-106F2 | D - 13   |             | F - 8    | 90467-10008 | D - 8    | 92907-05100 | D - 15   |
| 90105-10034  | D - 6    | 90171-10046 | D - 10   | 90201-107F8 | B - 5    | 90267-48014 | C - 11   | 90467-14015 | B - 14   |             | F - 2    |
| 90105-10323  | C - 10   |             | D - 4    | 90201-10774 | D - 4    | 90280-05013 | B - 9    | 90467-14057 | E - 6    | 92907-05200 | F - 2    |
| 90105-10388  | D - 7    | 90171-14020 | D - 10   | 90201-120E6 | C - 15   | 90280-05048 | B - 5    | 90467-22080 | B - 10   | 92907-05600 | B - 10   |
| 90105-10409  | C - 10   | 90171-14037 | D - 12   |             | D - 2    | 90282-05034 | B - 6    | 90480-01400 | D - 8    |             | E - 12   |
| 90105-10421  | B - 2    | 90179-06668 | B - 13   | 90201-12163 | C - 4    | 90282-07057 | C - 4    | 90480-14088 | E - 11   | 92907-06100 | D - 8    |
| 90105-10422  | B - 2    | 90179-08148 | E - 12   | 90201-123K4 | C - 3    | 90336-28053 | D - 4    | 90480-14555 | E - 11   |             | E - 11   |
| 90105-10480  | C - 10   | 90179-08577 | C - 10   | 90201-126A7 | D - 13   | 90340-14117 | B - 15   | 90480-18290 | D - 8    |             | E - 14   |
| 90105-14367  | C - 8    | 90179-10247 | D - 13   | 90201-12790 | E - 2    | 90381-15088 | D - 6    | 90480-18411 | E - 5    |             | E - 15   |
| 90109-063F7  | C - 8    | 90179-12588 | D - 13   | 90201-14226 | D - 12   | 90383-20032 | C - 14   | 90501-07629 | B - 5    |             | E - 8    |
| 90109-06576  | E - 12   | 90179-20255 | C - 7    | 90201-14586 | D - 10   | 90383-20033 | C - 14   | 90501-102E5 | E - 2    | 92907-06200 | C - 12   |
| 90109-06723  | E - 14   | 90183-05024 | C - 13   | 90201-14691 | C - 8    | 90386-12093 | C - 5    | 90501-102E8 | E - 6    |             | E - 12   |
| 90109-081F0  | D - 14   | 90185-10060 | D - 7    | 90201-150U6 | C - 7    | 90387-063W7 | E - 2    | 90501-10353 | C - 8    | 92907-06600 | B - 8    |
| 90109-102A6  | C - 14   | 90185-10115 | D - 4    | 90201-15797 | C - 9    | 90387-065L7 | E - 11   | 90501-18576 | B - 9    |             | E - 12   |
|              | D - 2    | 90185-10120 | C - 14   |             | E - 5    | 90387-06595 | E - 11   | 90501-22721 | B - 5    |             | E - 14   |
| 90109-102A7  | C - 15   |             | C - 15   | 90201-160F6 | C - 14   | 90387-066H4 | D - 8    | 90501-231E9 | C - 4    |             | E - 8    |
| 90109-10704  | D - 2    |             | D - 2    | 90201-17255 | C - 7    | 90387-07598 | D - 8    | 90506-20380 | E - 5    | 92907-08600 | C - 15   |
| 90109-10752  | C - 14   |             | D - 3    | 90201-203E7 | C - 6    | 90387-090R0 | D - 4    | 90508-16713 | C - 4    |             | E - 4    |
| 90110-05201  | C - 11   | 90185-16127 | C - 14   | 90201-207G6 | B - 6    | 90387-101R3 | D - 6    | 90508-20454 | D - 9    | 92907-10100 | B - 5    |
|              | C - 13   | 90201-03313 | F - 3    | 90201-22793 | C - 7    | 90387-125N8 | C - 14   | 90508-25712 | C - 8    | 92907-10200 | D - 10   |
| 90110-06136  | B - 9    |             | F - 4    | 90201-244A9 | C - 14   | 90387-125N9 | C - 14   | 90508-32711 | C - 8    |             | D - 12   |
| 90114-10007  | D - 10   |             | F - 6    | 90201-25291 | C - 3    | 90387-126H8 | D - 3    | 90508-35764 | E - 2    | 93101-25106 | B - 6    |
| 90114-10009  | D - 12   |             | F - 7    | 90201-256E6 | C - 6    | 90387-127G8 | D - 2    | 90560-14284 | C - 8    | 93102-12224 | C - 5    |
| 90116-06503  | B - 2    |             | F - 8    | 90201-28665 | C - 7    | 90387-150R1 | D - 10   | 90793-25032 | E - 14   | 93102-14209 | C - 8    |
| 90116-08507  | D - 12   | 90201-04325 | C - 11   | 90202-05193 | D - 8    | 90387-16547 | B - 4    | 91A20-07010 | B - 12   | 93102-15212 | C - 8    |
| 90119-06044  | C - 11   | 90201-060L5 | D - 8    | 90202-14037 | E - 2    | 90387-176R6 | D - 4    | 91317-06020 | B - 2    | 93102-22216 | D - 10   |
| 90119-06056  | C - 12   | 90201-06008 | E - 2    | 90202-14077 | E - 11   | 90387-257N4 | C - 7    |             | B - 9    | 93102-25081 | C - 10   |
| 90119-06063  | B - 10   | 90201-06071 | E - 11   | 90206-06090 | B - 13   | 90401-06001 | B - 2    |             | B - 2    | 93102-25099 | C - 10   |
| 90119-06073  | D - 8    | 90201-06074 | E - 11   | 90209-18208 | C - 6    | 90401-08117 | B - 9    |             | C - 2    | 93102-28476 | B - 15   |
| 90123-08046  | E - 12   | 90201-06380 | B - 15   | 90209-33253 | B - 5    | 90401-10159 | E - 4    | 91317-06030 | B - 4    | 93102-35393 | C - 7    |
| 90149-06011  | D - 8    | 90201-064J1 | E - 2    | 90215-06162 | B - 2    |             | E - 6    | 91317-08025 | B - 10   | 93102-48370 | D - 12   |
| 90149-06184  | C - 11   | 90201-08083 | E - 6    | 90215-08260 | C - 8    | 90430-06014 | B - 14   | 91317-08050 | B - 2    | 93104-09025 | D - 15   |

NUMERICAL INDEX

| PART NO.    | GRID NO. | PART NO.    | GRID NO. | PART NO.    | GRID NO. | PART NO.    | GRID NO. | PART NO. | GRID NO. | PART NO. | GRID NO. |
|-------------|----------|-------------|----------|-------------|----------|-------------|----------|----------|----------|----------|----------|
| 93104-17094 | C- 6     | 93310-633T5 | B- 5     | 95302-06600 | E- 9     | 97007-06040 | E- 12    |          |          |          |          |
| 93104-18077 | D- 2     | 93311-51554 | C- 7     | 95307-05600 | F- 2     | 97017-06020 | C- 9     |          |          |          |          |
| 93104-20068 | C- 6     | 93315-32516 | B- 8     | 95307-05700 | D- 15    | 97027-06016 | B- 8     |          |          |          |          |
| 93105-26026 | D- 10    | 93317-22237 | C- 14    | 95307-06600 | E- 11    | 97027-06025 | E- 12    |          |          |          |          |
| 93108-35004 | C- 14    | 93399-99916 | D- 2     | 95307-06700 | C- 9     | 97027-08025 | E- 4     |          |          |          |          |
| 93109-08050 | E- 2     | 93410-20038 | C- 6     |             | E- 15    | 97027-08060 | D- 4     |          |          |          |          |
| 93109-20076 | C- 14    |             | C- 7     | 95307-08600 | B- 10    | 97801-03008 | D- 8     |          |          |          |          |
| 93112-31011 | D- 4     | 93410-22039 | C- 6     |             | D- 12    | 98502-04010 | B- 12    |          |          |          |          |
| 93210-06422 | C- 4     |             | C- 7     | 95307-10700 | D- 4     | 98502-04012 | B- 11    |          |          |          |          |
| 93210-07590 | C- 8     | 93430-04002 | D- 9     | 95317-06700 | E- 2     | 98506-04012 | E- 6     |          |          |          |          |
| 93210-09165 | B- 7     | 93430-12008 | C- 9     | 95604-06100 | E- 4     | 98507-03008 | E- 12    |          |          |          |          |
| 93210-10096 | E- 2     |             | E- 5     | 95607-05100 | D- 15    | 98507-04008 | E- 2     |          |          |          |          |
| 93210-14104 | E- 2     | 93440-12052 | B- 2     | 95607-06100 | C- 11    | 98507-05010 | E- 12    |          |          |          |          |
| 93210-14369 | B- 15    | 93440-25084 | C- 6     |             | C- 12    | 98507-05012 | D- 15    |          |          |          |          |
| 93210-15414 | C- 9     |             | C- 7     |             | E- 12    | 98507-05014 | E- 8     |          |          |          |          |
| 93210-15620 | E- 6     | 93440-28062 | C- 7     | 95607-08100 | C- 15    | 98507-05016 | B- 10    |          |          |          |          |
| 93210-16290 | B- 5     | 93440-30113 | D- 2     | 95607-10200 | C- 10    | 98507-05020 | D- 15    |          |          |          |          |
| 93210-18322 | B- 4     | 93450-19095 | B- 6     | 95702-06500 | F- 9     | 98507-06012 | B- 14    |          |          |          |          |
| 93210-19522 | B- 15    | 93503-08007 | C- 8     | 95707-06500 | D- 9     |             | C- 2     |          |          |          |          |
| 93210-22164 | C- 7     | 93602-13177 | B- 5     |             | E- 2     | 98507-06020 | E- 14    |          |          |          |          |
| 93210-29147 | D- 15    | 93603-07073 | B- 9     | 95707-08500 | E- 5     | 98507-06030 | E- 8     |          |          |          |          |
| 93210-35520 | B- 9     | 93603-12030 | B- 9     | 95707-10500 | D- 10    | 98511-04010 | B- 11    |          |          |          |          |
| 93210-41041 | C- 10    | 93604-10011 | B- 8     |             | D- 12    | 98707-06016 | B- 14    |          |          |          |          |
| 93210-44545 | B- 10    | 93605-10090 | B- 5     | 95807-06010 | D- 11    | 98707-06030 | B- 9     |          |          |          |          |
| 93210-54175 | B- 9     | 93700-06004 | C- 14    |             | E- 15    | 98907-06010 | B- 13    |          |          |          |          |
| 93210-57634 | B- 2     |             | D- 6     | 95807-06025 | E- 11    | 99001-07600 | C- 5     |          |          |          |          |
| 93210-86509 | B- 4     | 93834-13030 | C- 7     | 95807-08040 | C- 14    | 99001-09600 | C- 4     |          |          |          |          |
| 93211-06635 | B- 2     | 93900-00022 | D- 10    | 95807-08055 | E- 10    | 99009-12400 | C- 3     |          |          |          |          |
| 93306-00006 | C- 4     |             | D- 12    | 95817-06035 | E- 2     | 99530-12016 | B- 14    |          |          |          |          |
| 93306-00308 | C- 7     | 94107-102Y4 | D- 10    | 95817-08012 | C- 10    |             | B- 15    |          |          |          |          |
| 93306-00406 | D- 10    | 94110-090X4 | D- 12    | 95817-08016 | B- 13    | 99530-14016 | B- 2     |          |          |          |          |
| 93306-00431 | C- 7     | 94500-02090 | B- 8     | 95817-08045 | B- 13    |             | B- 4     |          |          |          |          |
| 93306-00438 | D- 10    | 94581-87098 | D- 12    | 95817-08055 | C- 10    |             |          |          |          |          |          |
| 93306-00515 | B- 8     | 94681-87011 | D- 12    | 95817-10025 | E- 5     |             |          |          |          |          |          |
| 93306-00804 | D- 12    | 94701-00333 | B- 2     | 95827-06010 | C- 11    |             |          |          |          |          |          |
| 93306-07801 | B- 15    | 94703-00333 | B- 3     |             | C- 12    |             |          |          |          |          |          |
| 93306-20227 | D- 10    | 95027-06012 | F- 9     | 95827-06016 | D- 3     |             |          |          |          |          |          |
| 93306-20301 | C- 6     | 95027-06016 | B- 15    | 95827-08012 | C- 10    |             |          |          |          |          |          |
|             | C- 7     | 95027-06020 | B- 15    |             | C- 11    |             |          |          |          |          |          |
|             | C- 10    | 95027-06025 | B- 15    |             | E- 7     |             |          |          |          |          |          |
| 93306-20331 | C- 6     |             | B- 8     | 95827-08016 | E- 5     |             |          |          |          |          |          |
| 93306-20401 | C- 7     | 95027-06030 | B- 14    |             | E- 7     |             |          |          |          |          |          |
| 93306-20501 | B- 6     |             | B- 15    | 95827-08025 | C- 15    |             |          |          |          |          |          |
| 93306-20532 | C- 6     |             | E- 9     | 95827-08035 | D- 4     |             |          |          |          |          |          |
| 93306-27202 | C- 6     |             | B- 15    | 97007-06008 | B- 13    |             |          |          |          |          |          |
| 93306-30424 | B- 5     | 95027-06040 | B- 15    | 97007-06012 | B- 2     |             |          |          |          |          |          |
| 93306-30622 | C- 3     | 95027-06045 | B- 14    | 97007-06020 | E- 14    |             |          |          |          |          |          |
| 93310-212L6 | C- 3     | 95027-06050 | B- 14    | 97007-06030 | D- 8     |             |          |          |          |          |          |
| 93310-225N0 | C- 3     | 95027-06060 | B- 14    |             |          |             |          |          |          |          |          |